

Operation Manual

ARTICEL

50945 SunSun CUF-2500
50946 SunSun CUF-5000
50947 SunSun CUF-6000



Read and follow the operating instructions and safety information before using for the first time.

Technical changes reserved!

Due to further developments, illustrations, functioning steps and technical data can differ insignificantly.

Updating the documentation

If you have suggestions for improvement or have found any irregularities please contact us.

The information contained in this document is subject to change without prior notice. No part of this document can be copied or duplicated in another form without the prior written consent of Wiltec Wildanger Technik GmbH. The Wiltec Wildanger Technik GmbH assumes no liability for any errors in this user manual or the connection diagram.

Although Wiltec Wildanger Technik GmbH has made every effort to make sure that this user manual is complete, accurate and updated, errors cannot always be avoided. In the event of problems with this user manual please complete and send this form back to us.

FAX-notification (+++49 2403 55592-15),

from: _____

Name: _____

Firm: _____

Tel/Fax: _____

I would like to report the following mistakes:

Customer Service Wiltec Wildanger Technik GmbH

e-mail: service@wiltec.info

Tel:++ +49 2403 55592-0

Introduction

Thank you for purchasing this quality product. **To minimize the risk of injury by means of fire or electric shock we urge that our clients take some basic safety precautions when using this device. Please read the operation instructions carefully and make sure you have understood its content.**

Always use a grounded power connection with the appropriate mains voltage. You can find the corresponding mains voltage on the type plate. If you have any doubts about the connection being grounded, have it checked by a qualified professional. Never use a faulty electric cable.

Do not inspect the electrical part of the pressure pond filter in a wet or damp environment or when you are wet yourself and protect it from direct sunlight. Install this device in a safe location so that nobody can step on the cable, fall over or damage it. Disconnect the power plug before cleaning it and use only a damp cloth for cleaning. Avoid using cleaning agents and make sure that no liquid enters the electrical part of the pump.

The electric part of the device contains no parts that can be inspected or serviced by the user. Leave the maintenance, adjustment and repair to qualified technical personnel. In case of unauthorised intervention the 2-year warranty is no longer valid! Keep these operation instructions safe.

Before the first time use, please read this instruction and acquaint this equipment. In order to use the equipment safely, the following secure suggestions should be abided.

Caution

CUF is UV clarifier equipment which can be fixed. It contains water pump and one piece of UV lamp. Any damage on the equipment or unmerited operation will bring dangerous radiation to the skin and eyes. So if there is any damage of the equipment, it cannot be used any more. This equipment is not intend for use by persons (including children) with reduced physical, sensory of mental capabilities, or lack of experience and knowledge, unless they have been given supervision or instruction concerning use of the equipment by a person responsible for their safety. The equipment should be placed out of children reach. For the consideration of security, people younger than 16 years old and those who cannot identify danger or grasp the instruction cannot use the equipment.

- This equipment should be placed under the water. Be sure the equipment is submerged completely in the water and the deepness should not bigger than 2m.
- Before the water submerge the equipment, please never plug in to avoid the equipment working without water which will bring damage to the equipment.
- The equipment is a kind of fixed appliance with rubber feet under it which can help the equipment to fix on the slippery surface (such as glass and so on); Because the UV lamp is made of quartz glass, please avoid drop of it or wallop on it. The detailed information about installation, please check the instruction information.
- Before all parts are installed completely, the equipment cannot be plugged in.
- If there is any damage on the power cable, UV lamp or shell, the equipment cannot be used. And it should be discarded as useless.
- When any person in the water, the equipment cannot be used.
- Please make sure that the electrical voltage, frequency used are consistent with the indication on the label of the equipment.
- When installing the equipment, the installation regulation of domestic should be followed
- The equipment should be earthed, And the professional person should check the condition of earthed. For the considered of safety, we advise customer to install creepage protector in order to make sure the electric current will not exceed 30mA.
- Pull in the connecting cable is forbidden. And please keep the connecting cable away from heat, greasiness or sharpness.
- Make sure the max. pressure of the bod shell endured is less than 0.3 bar.
- When know the frost is coming, please move away UV filter.
- The dirtiness on the quartz tube will influence the effect of the equipment, please clean the quartz tube in time.
- In order to ensure the effect of the equipment, the UV light tube should be replaced after 8000 hours' usage.
- When the body shell is blocked with the sands and rubbish, it is possible to destroy the quartz tube. So please add the filter sponge in the inlet of the water. And the sponge should be cleaned in time (one month one time).
- UVC is harmful to the eyes and shin. Please do not watch UVC directly or let the shin approach to the UVC.
- When Install or repair this equipment, the electrical source of the aquarium must be switched off.

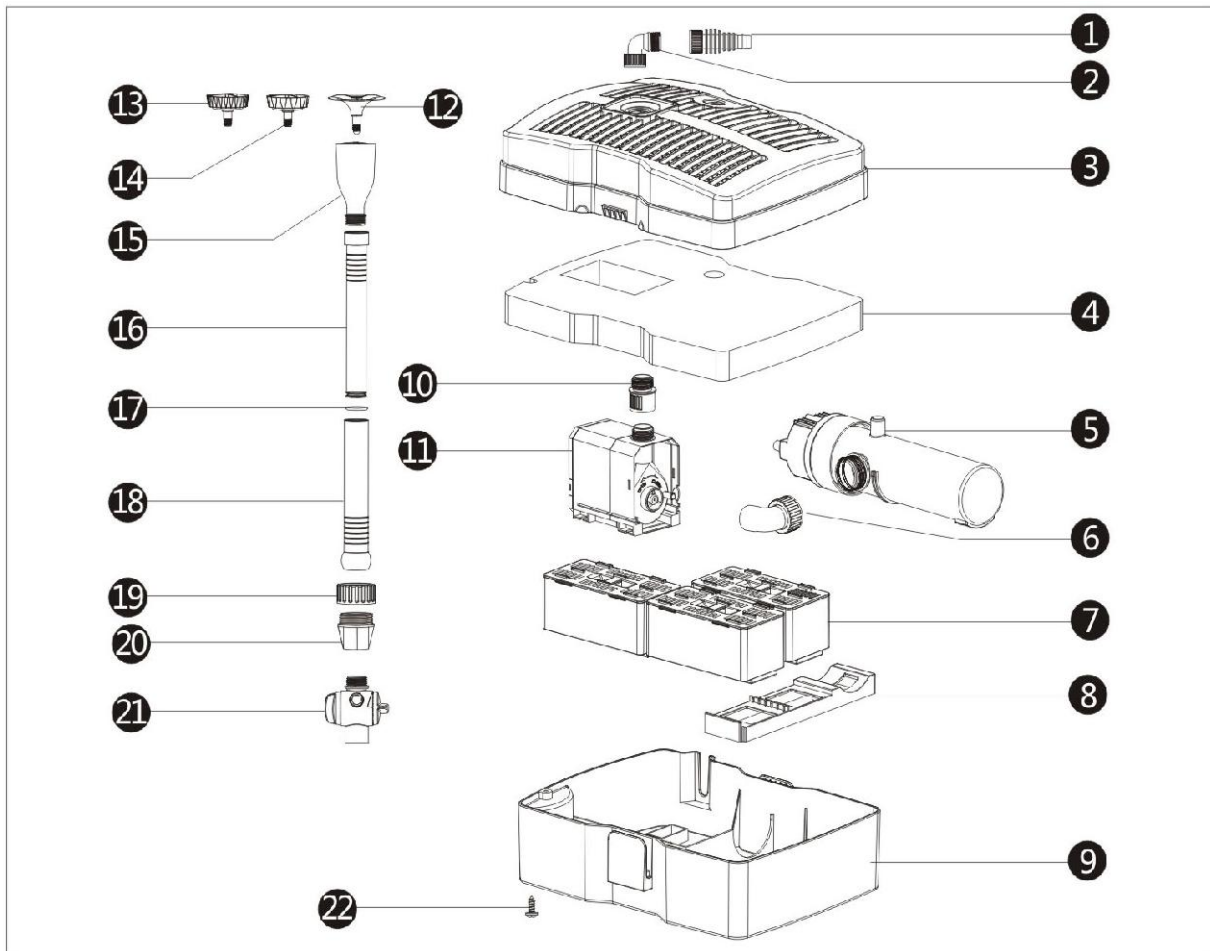
Applicability & Technical Parameter

This series UV equipment are suitable for aquarium and pond filter the water. They cannot used in the swimming pool. The major technical parameter is as follows (The Max. water pressure: 2M, Too big pressure will damage the equipment.)



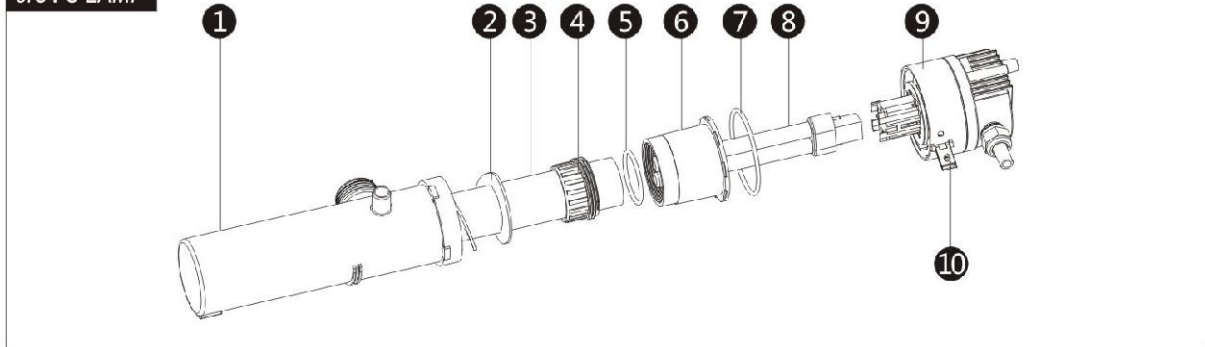
ITEM	VOLTAGE	POWER	UVC LAMP	H-MAX	Q-MAX	OUTLET
CUF-2500	220-240V/50HZ	28W	9W	1.6M	1000L/H	1/2"-3/4"-1"
CUF-5000	220-240V/50HZ	42W	9W	2.0M	2000L/H	1/2"-3/4"-1"
CUF-6000	220-240V/50HZ	54W	9W	2.5M	2500L/H	1/2"-3/4"-1"

PART LIST



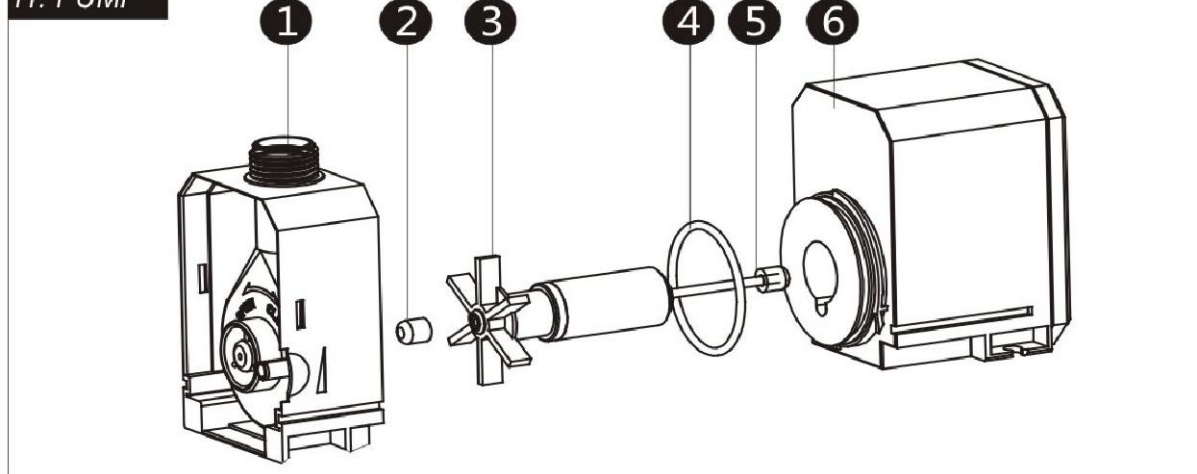
1	Outlet	9	Filter base	17	O-ring
2	Elbow pipe 1	10	adapter	18	Connection pipe 2
3	Filter cover	11	Water pump	19	nut
4	sponge	12	Fountain head(tent type)	20	flange
5	UV-C lamp	13	Fountain head(rain type 1)	21	T-joint
6	Elbow pipe 2	14	Fountain head(rain type 2)	22	screw
7	Filter boxes	15	Fountain sets base		
8	Runner plate	16	Connection pipe 2		

5. UVC LAMP



5-1	UV-C lamp shell body	5-5	45*4 o-ring	5-9	UV-C device head with cable
5-2	Spiral sleeve	5-6	Quartz glass tube sleeve	5-10	Safety clasp
5-3	Quartz glass tube	5-7	60*3.1 o-ring		
5-4	Fasten screw	5-8	Uvc bulb		

11. PUMP



11-1	Impeller cover	11-3	rotor	11-5	shaft
11-2	Rubber bearing	11-4	O-ring	11-6	Shell body

CAUTION

CUF is UV-C clarify equipment which can be combined. It contains water pump and one piece of UV-C lamp. Any damage on the equipment or unmerited operation will bring dangerous radiation to the skin and eyes. So if there is any damage of the equipment, it can not be used any more. This equipment is not intend for use by person (including children) with reduced physical, sensory or mental capabilities, or lack of experience and knowledge, unless they have been given supervision or instruction concerning use of the equipment by a person responsible for their safety. The equipment should be placed out of children reach. For the consideration of security, people under 16 years old and those who can not identify danger or grasp the instruction can not use the equipment.

- 1.This equipment should be placed under the water. Be sure the equipment is submerged completely in the water and the depth should not be greater than 2m.
- 2.When the water is not enough to submerge the equipment, please never connect power of the equipment to avoid running without water and cause damage .
- 3.As the UV-C lamp is made of quartz glass, please avoid drop of it or wallop on it.
- 4.Before all parts are installed completely, the equipment can not be plugged in.
- 5.If there is any damage on the power cable, UV-C lamp or shell, the equipment can not be used . And it should be discarded as useless.
- 6.Please make sure that the electrical voltage, frequency used are consistent with the indication on the label of the equipment.
- 7.When installing the equipment, the installation regulation of pond pumps should be followed.
- 8.The equipment should be earthed. And the professional person should check the condition of earthed. For the considered of safety, we advise customer to install leakage protector.
- 9.Pull the connecting cable is forbidden. And please keep the connecting cable away from heat, greasiness or sharpness.
- 10.When the pump have any unusual noise, please unplug to check the reason.
- 11.When know the frost is coming, please move away UV-C filter to avoid frost crack.
- 12.The dirtiness on the quartz glass tube will influence the effect of the equipment, please clean the quartz glass tube in time.
- 13.When the body shell is blocked with the sands and rubbish, it is possible to destroy the quartz glass tube and water pump. So please add the filter sponge to the inlet of the water. And the sponge should be cleaned timely. (once a month).
- 14.UV-C is harmful to the eyes and skin. Please do not watch UV-C directly or let the skin approach to the UV-C.
- 15.When install or repair this equipment, the electrical source of the equipment must be switched off.

INSTRUCTION

- 1.This equipment built-in filter sponge, biochemical basket, UV-C lamp and water pumps. This equipment adopt reasonable water channel, suitable for both indoor, outside pond garden, aquatic breeding, clean water sterilization and water fountains.
- 2.Through the working of water pump, water flow from the filter cover to filter sponge, and then to the UV-C lamp. Inside of the UV-C lamp the harmful bacteria and algae will be killed. Then the water flow to outside finally.
- 3.The UV-C lamp was designed as a closed device, no UV-C will scattering. And UV-C light 253.7nm will kill the harmful bacteria and algae to keep a good condition of water.

INSTALLATION AND MAINTENANCE

Please switched off the electrical power when you clean the inside or change the UV-C lamp. When clean the inside or change the UV-C lamp, please take below part list as your reference.

INSTALLATION

Connect No.15-16-17-20-21 together, choose a suitable fountain head from 12-13-14 and connect to No. 15. Then connect fountain set to No.10. Adjust the height of the fountain set and submerge the equipment under water. If only need this equipment to take water, you can only connect No. 1-2, no need fountain set.

MAINTENANCE

Maintenance for filter sponge and filter material

1. Take of the fountain set, unload the screw No, 22, and open the two clips on the side of the filter cover, then you can open the filter cover.
2. Take out the filter sponge and filter material boxes, clean or change these. (suggest to clean the filter sponge every week)

MAINTENANCE FOR UVC-LAMP

1. Take out the UV-C lamp and open the safety catch, turn the shading cylinder components (NO. 1-2-3-4-5-6) in anti-clockwise direction till the block position, then pull out the quartz glass tube. Now you can change your UV-C lamp.
2. If you need to clean the quartz glass tube, please take out the components inside of the shading cylinder, unload the screw No.4. Then you can take out the quartz glass tube and clean it.

MAINTENANCE FOR WATER PUMP

1. turn impeller cover in anti-clockwise direction till the block position, then you can separate the the impeller cover and pump body.
2. Take out the impeller, clean it with clean water and suitable brush.

Storage in winter

1. Take out the equipment from water
2. Clean the equipment thoroughly
3. Check the parts and conditions of the equipment
4. Keep this equipment in a area that free from frost. And in a container that with clean water

Disposal regulations

EU guidelines regarding the disposal of scrap electric appliances (WEEE, 2002/96/EC) were implemented in the law related to electrical and electronic equipment and appliances.

All Wiltec electric devices that fall under the WEEE regulations are labelled with the crossed-out wheeled waste bin logo. This logo indicates that this electric equipment must not be disposed with the domestic waste.

The company Wiltec Technik GmbH has been registered in the German registry EAR under the WEEE-registration number DE45283704.

Disposal of used electrical and electronic appliances (intended for use in the countries of the European Union and other European countries with a separate collection system for these appliances).

The logo on the article or on its packaging points out that this article must not be treated as normal household waste but must be disposed to a recycling collection point for electronic and electrical waste equipment. By contributing to the correct disposal of this article you protect the environment and the health of your fellow men. Environment and health are threatened by inappropriate disposal.



Materials' recycling helps reduce the consumption of raw materials.

Additional information on recycling this article can be provided by your local community, municipal waste disposal facilities or the store where you purchased the article.

Address:
WilTec Wildanger Technik GmbH
Königsbenden 12 / 28
D-52249 Eschweiler

Important notice:

The reprint or reproduction, even of excerpts, and any commercial use, even in part of this instructions manual require the written permission of Wiltec Wildanger Technik GmbH.