

# Operation Manual

**Swimming Pool Pump MAX-ECO**  
**CPP-5000F, CPP-6000F, CPP-7000F**  
**CPP-8000F, CPP-10000F, CPP-12000F**  
**CPP-14000F, CPP-16000F**  
50960–50963, 50968–50971



Illustration similar, may vary depending on model

Read and follow the operating instructions and safety information before using for the first time.

Technical changes reserved!

Due to further developments, illustrations, functioning steps and technical data can differ insignificantly.

Updating the documentation

If you have suggestions for improvement or have found any irregularities, please contact us.



The information contained in this document may alter at any time without previous notice. It is prohibited to copy or spread any parts of this document in any way without prior written allowance. All rights reserved.

The WilTec Wildanger Technik GmbH cannot be held accountable for any possible mistakes in this operating manual, nor in the diagrams and figures shown.

Even though, the WilTec Wildanger Technik GmbH has undergone biggest possible efforts to ensure that the operating manual is complete, faultless and up to date, mistakes cannot be entirely avoided.

If you should find a mistake or wish to make a suggestion for improvement, we look forward to hearing from you.

Send an e-mail to:

[service@wiltec.info](mailto:service@wiltec.info)

or use our contact form:

<https://www.wiltec.de/contacts/>

The most recent version of this manual in various languages can be found in our online shop via:

<https://www.wiltec.de/docsearch>

Our postal address is:

WilTec Wildanger Technik GmbH  
Königsbenden 12  
52249 Eschweiler  
Germany

Do you wish to pick goods up? Our pick-up address is:

WilTec Wildanger Technik GmbH  
Königsbenden 28  
52249 Eschweiler  
Germany

To shorten the waiting time and allow for a rapid on-site transaction, we ask you to call us previously or placing your order via the webshop.

E-mail: [service@wiltec.info](mailto:service@wiltec.info)

Tel: +49 2403 55592-0

Fax: +49 2403 55592-15

To return orders for exchange, repair or for other purposes, please use the following address. Attention! To allow for a smooth execution of your complaint or return, it is important to contact our customer service team before returning the goods.

Returns Department  
WilTec Wildanger Technik GmbH  
Königsbenden 28  
52249 Eschweiler

E-mail: [service@wiltec.info](mailto:service@wiltec.info)

Tel: +49 2403 55592-0

Fax: +49 2403 55592-15



## Introduction

Thank you for purchasing this quality product. **To minimize the risk of injury we urge that our clients take some basic safety precautions when using this device. Please read the operation instructions carefully and make sure you have understood its content.**

Keep these operation instructions safe.

## Security notes

### **ATTENTION:**

In stagnant waters, garden ponds and swimming ponds and the surrounding areas the device can only be used with a residual current circuit breaker and a triggering nominal current up to 30 mA (according to VDE 0100 part 702 and 738).

The device is not for use in swimming pools, any kind of paddle ponds and the like that are used by humans during the operation of the device. Operating the device during the stay of humans in the danger zone is not permitted. Ask your electrician!

The device must not be used by persons (including children) with reduced physical, sensory or mental capabilities and/or lack of experience or knowledge, unless they are instructed by a person responsible for their safety or given instruction how to use the device. Children should be supervised so that one can be sure that they do not play with the device.

### **ATTENTION:**

- Perform a visual inspection before each use of the device. Do not use the device if the safety equipment is damaged or worn. Never override the safety equipment.
- Only use the device for the purpose specified in this manual.
- You are responsible for the safety in the work area.
- If the power cord or the plug is damaged by external influences, the cord must not be repaired! It must be replaced with a new one. This operation must be carried out only by a qualified electrician.
- The voltage of 230 AC volts as indicated on the nameplate of the device has to be according to the mains voltage.
- Never lift, transport or fix the device by using the power cord as a means for this purpose.
- Make sure that the electrical connectors are protected from flood and moisture.
- Pull the power plug before working on the device.
- The device must not be exposed to a direct stream of water or rain.
- The user is responsible for the respect of local safety and installation regulations (ask an electrician in case of doubt).
- Damage due to flooding caused by faults of the device is to be prevented by the user who has to take the appropriate measures therefore (e. g. installation of an alarm system, reserve pump).
- In case of a failure, the device may only be repaired by a qualified electrician.
- The device must never run dry or be operated with the suction tube fully closed.
- The device must not be used for the operation inside swimming pools.
- The device must not be installed in the portable water cycle.



 **WARNING:**

Read all safety warnings and instructions. Any failure due to disrespect of the safety instructions may result in electric shock, fire and / or serious injury.  
Keep all warnings and instructions for the future.

### Resistance

During continuous operation, the temperature of the liquid transported should not exceed +35°C. The delivery of aggressive liquids (such as acids, alkalis, silo seepage, etc.) as well as liquids containing abrasive materials (sand etc.) is to be avoided.

### Electrical connection

- The electrical connection is to be made to a grounded socket 230 V~50 Hz. Hedging at least 6 A.
- An integrated thermal motor protection protects the engine from overload and blockage.

### Mains connection

The swimming pool pump that you have acquired is already equipped with a grounded socket. The pump is intended for a connection to a grounded socket with 230 V ~ 50 Hz. Make sure that the socket is adequately secured and in a good condition. Run the pump plug into the socket. The pump is ready for operation.

### Un packing

Notify your dealer immediately if there are external damage.

### Conventional use

- The pump can transport swimming pool water with a temperature of +4 °C to +35 °C.
- You can use the pump as follows:
  - for an aquarium;
  - as circulation pump for a swimming pool;
  - with aquicultures;
  - as water circulation pump for a small swimming baths;
  - for swimming ponds.

### Safety instructions

- For your own safety, please contact an electrical specialist in case of questions and problems.
- Before reaching into the water, always unplug all power cords of devices in the water.
- Plug in the pump only to a power receptacle with ground contact. This type of outlet must have been set up according to the respective national directives. Ensure that the PE conductor goes all the way to the pump.
- Never use installations, adapters, extension cords or connecting cords without ground contact.
- Ensure that the pump is supplied via a residual current device (FI or ECD) with a measured residual current of not more than 30 mA.
- Electrical installations on garden ponds must correspond to the international and national installation directives.
- Only operate the pump if no one is in the water.



- Do not carry or pull the pump by the connecting cord.
- Keep the power plug and all connecting parts dry.
- The pump may not be operated if the cable or the housing are defective.
- If the power cord of the pump is damaged then it must be replaced by the manufacturer of his customer service or by a similarly qualified person to avoid hazard.
- Never displace any liquids other than water.
- Caution: The pump will stop automatic if work without water or work overload, it will work again after plug in.

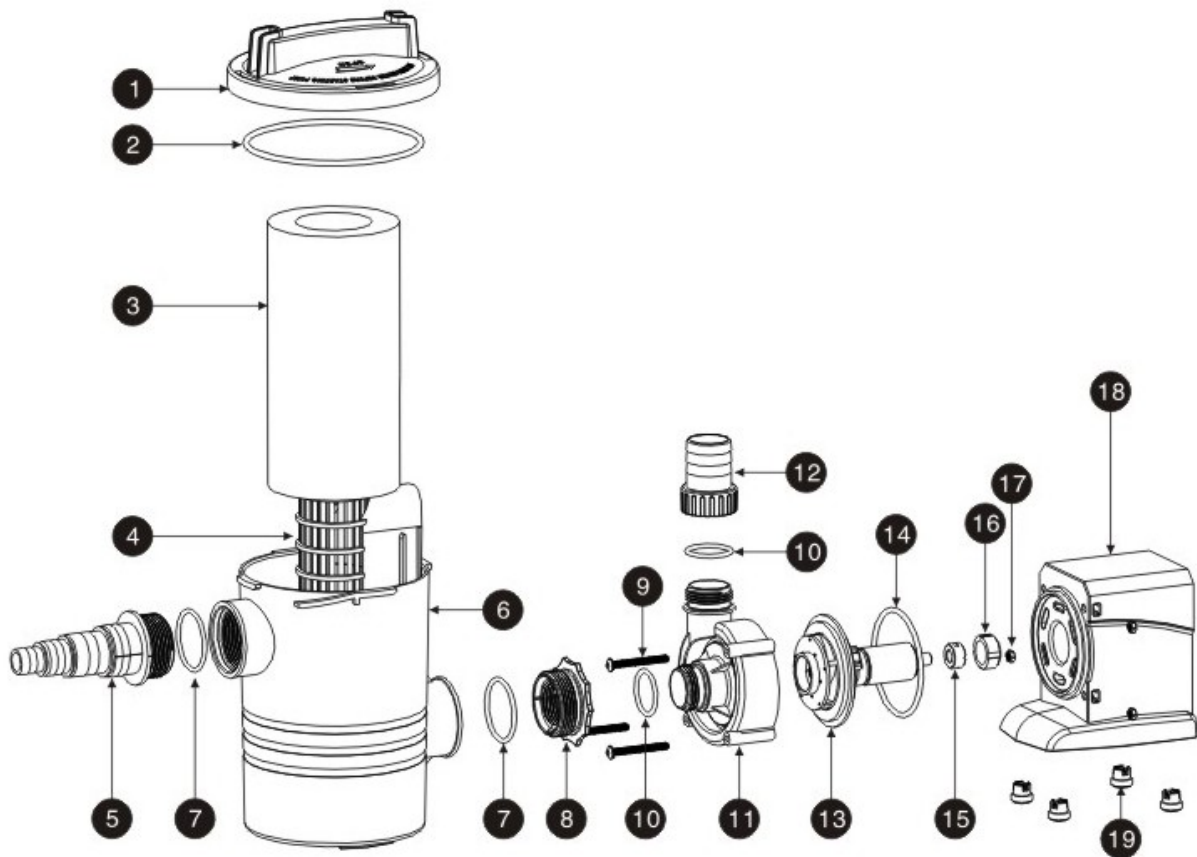
## Installation

1. Compare the voltage and frequency of your electrical circuit with the data on the item. The data must be identical.
2. The Pump must be installed horizontally and close to the water in order to reduce loss. The installation distance should not exceed the pump suction height. Please install a valve to the inlet and outlet.
3. The pump must be installed below the water level; if this is not possible, fix a check valve to the inlet.
4. Seale all tubes and hoses at the connection points to prevent air from getting inside the system. Fill water into the tube and hose system to find and repair leaks.
5. Do not screw the joint of inlet/outlet and tube too tightly.
6. Open all the valves and add the water into the tube body to check that there is no leakage. Then screw the cover.
7. Connect the pump to the electrical circuit.

### CAUTION:

- Never operate the pump without filter basket; the filter basket protects the pump from coarse dirt that can lead to plugging up the pump.
- Never operate the pump without water (dry run). Otherwise the pump bearing will be destroyed. .

### Explosion view and part list



No	Name	No	Name	No	Name
1	Upper cover	8	Connecting flange	15	bearing
2	O-ring 1	9	screw	16	Bearing seat
3	Filter sponge	10	O-ring 3	17	Press nut
4	Filter basket	11	Pump housing	18	Motor body
5	inlet	12	outlet	19	Rubber feet
6	Filter box	13	Rotor sub-assembly		
7	O-ring 2	14	O-ring 4		



## Technical specifications

Item number	Model	Voltage	Power (W)	H-max (m)	Q-max (ℓ/h)	Connections (mm)
50960	CPP-5000F	220-240 V 50 Hz	30	3.7	3500	19/25/33 (3/4"/1"/1 1/4")
50961	CPP-6000F		40	4.5	4000	
50962	CPP-7000F		50	4.6	4500	
50963	CPP-8000F		70	6.5	5000	
50968	CPP-10000F		80	7.0	7500	25/33/38/51 (3/4"-2")
50969	CPP-12000F		100	7.5	8000	
50970	CPP-14000F		120	8.0	8500	
50971	CPP-16000F		140	8.5	9000	

## Cleaning instructions



1. Turn the cover in the direction as indicated by the arrow (**pic. 1**).
2. Clean and change the sponge and draining skep after having taken them out (**pic. 2**).
3. Separate the filter body and motor in the direction as indicated by the arrow (**pic. 3**).
4. Use the screwdriver to unscrew the pump housing (**pic. 4**).
5. Clean and change the impeller after having taking it out (**pic. 5**).
6. Make sure to put the o-ring at the right place as show in the **pic. 6**.

## Maintenance/cleaning the pump

1. Please clean the pump every four weeks or when the performance decreases.
2. Take the pump apart, and open the impeller housing by unscrewing the screw.
3. Brush the pump, impeller and rotor with a banister brush.

## Stocking during the winter

1. Take the pump out of the water.
2. Thoroughly clean it.
3. Check it for damage.
4. Caution: Never immerse the connecting plug.
5. Store the pump in frost-free conditions and in a container filled with water if possible.



## Disposal regulations

EU guidelines regarding the disposal of scrap electric appliances (WEEE, 2012/19/EU) were implemented in the law related to electrical and electronic equipment and appliances.

All WilTec electric devices that fall under the WEEE regulations are labelled with the crossed-out wheeled waste bin logo. This logo indicates that this electric equipment must not be disposed with the domestic waste.

The company WilTec Technik GmbH has been registered in the German registry EAR under the WEEE-registration number DE45283704.

Disposal of used electrical and electronic appliances (intended for use in the countries of the European Union and other European countries with a separate collection system for these appliances).

The logo on the article or on its packaging points out that this article must not be treated as normal household waste but must be disposed to a recycling collection point for electronic and electrical waste equipment. By contributing to the correct disposal of this article you protect the environment and the health of your fellow men. Environment and health are threatened by inappropriate disposal.



Materials' recycling helps reduce the consumption of raw materials.

Additional information on recycling this article can be provided by your local community, municipal waste disposal facilities or the store where you purchased the article.

Address:  
 WilTec Wildanger Technik GmbH  
 Königsbenden 12 / 28  
 D-52249 Eschweiler

### Important notice:

The reprint or reproduction, even of excerpts, and any commercial use, even in part of this instructions manual require the written permission of WilTec Wildanger Technik GmbH.



## EG-Konformitätserklärung

Declaration of Conformity / Déclaration de Conformité

(gemäß den Richtlinien 2014/35/EU NSR-Richtlinie)

Reference Nummer: 3185251.01AOC

Firma / Company / Société

WilTec Wildanger Technik GmbH  
Koenigsbenden 12  
52249 Eschweiler, Deutschland

erklärt, dass das Produkt:

Gartenpumpe, Teichpumpe

Type:

CPP-5000F, CPP-6000F, CPP-7000F,  
CPP-8000F, CPP-10000F, CPP-12000F,  
CPP-14000F, CPP-16000F,

Artikel: 50960, 50961, 50962, 50963,  
50968, 50969, 50970, 50971

Verwendungszweck:

Umwälzen und filtern von Wasser

mit den folgenden EG-Rats-Richtlinien übereinstimmt:

This appliance is in conformity with the following European directives:

Cet appareil est conforme aux directives européennes :

### 2014/35/EU

Es ist nach folgenden harmonisierten Normen geprüft worden:

It has been tested with the following harmonised standards:

Il a été testé à partir des normes harmonisées suivantes :

EN60335-2-41:2003+A1:2004+A2:2010

EN60335-1:2012+A11:2014

EN62233:2008

Eschweiler, 23. Juni 2016



---

Bernd Wildanger  
Geschäftsführer