



DESCRIPTION

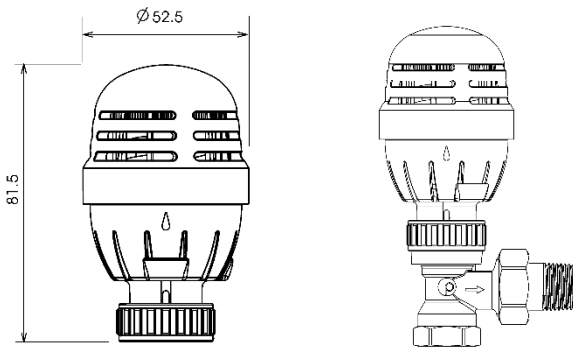
106CN

Thermostatic head with wax sensor with temperature locking device.

For all Pettinaroli thermostatic valves (M28 x 1,5)

Conform to EN 215

DIMENSIONS

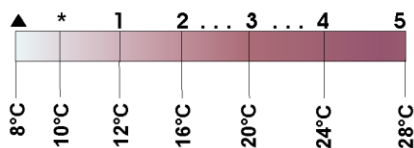


The thermostatic head can be fit on every Pettinaroli radiator valve with thermostatic option.

MATERIALS

<i>External covers</i>	ABS
<i>Thermostatic sensor</i>	Wax
<i>Spring</i>	Stainless steel AISI 302
<i>Ring nut</i>	CW614N (EN 12164) CuZn39Pb3
<i>Internal components</i>	POM
<i>Inner locking ring</i>	PP

TECHNICAL DATA



ΔT	8° - 28 °C
▲	8 °C min. setting of the temperature selector
PN	10 bar
T. max.	110°C

<i>Max. differential pressure</i>	0.8 bar
<i>Differential pressure influence</i>	0.25K
<i>Wax hysteresis</i>	0.8K
<i>Flow temp. influence</i>	1.4K
<i>Response time</i>	30 minutes
<i>Nominal flow rate</i>	170 Kg/h

PRESSURE DROP DIAGRAM

Angle

$$\Delta P = \left(\frac{Q}{Kv}\right)^2$$

$$Q = Kv * \sqrt{\Delta P}$$

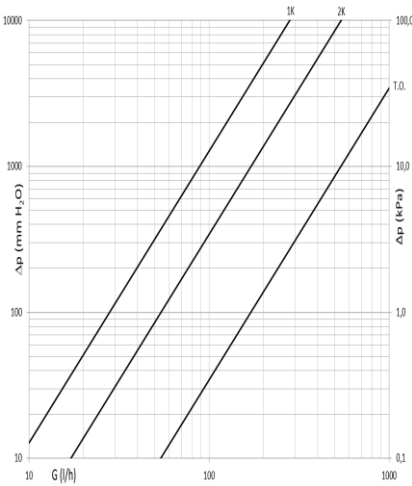
Q_{mNH}=170 kg/h

A=0.92

KV [m³/h bar]

ΔT (°C)	Kv	
	DN10	DN15
s-1	0.28	0.28
s-2	0.54	0.54
T.O.	1.60	1.70

T.O.: Total Open



Straight

$$\Delta P = \left(\frac{Q}{Kv}\right)^2$$

$$Q = Kv * \sqrt{\Delta P}$$

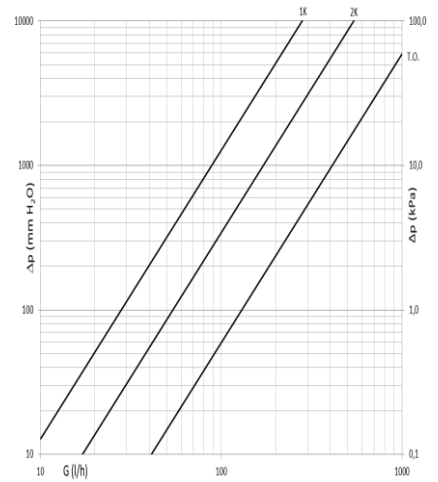
Q_{mNH}=170 kg/h

A=0.81

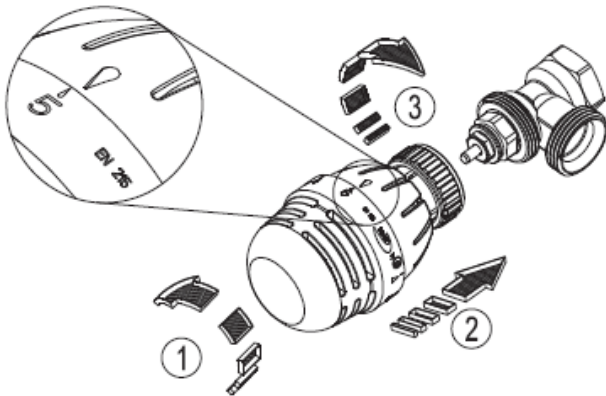
KV [m³/h bar]

ΔT (°C)	Kv	
	DN10	DN15
s-1	0.28	0.28
s-2	0.54	0.54
T.O.	1.30	1.30

T.O.: Total Open



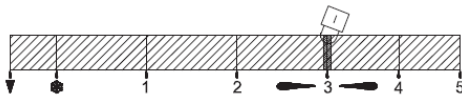
INSTALLATION INSTRUCTION



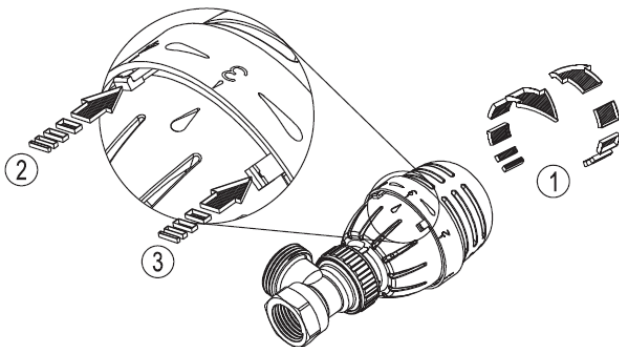
The flow direction has to follow the arrow on the valve body. Thermostatic head installation in horizontal position is suggested;

1. turn the head to position "5"
2. insert the hexagon of the headwork into the thermostatic head
3. screw the nut

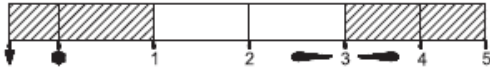
During summer time it is advisable to set the thermostatic head to completely open position "5".



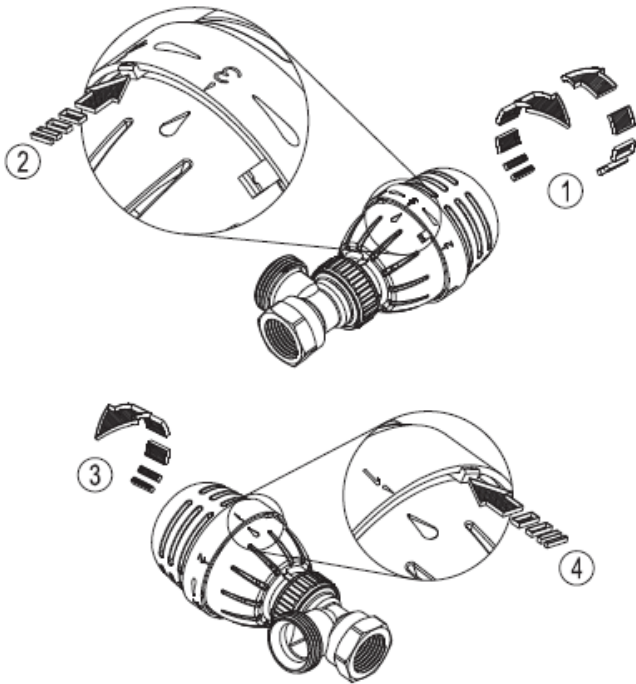
To block the temperature to a fixed value follow the steps shown by the figure beside:



1. turn the head to the desired position (1)
2. push the temperature locking devices under the handle (2 and 3)



To block the temperature into fixed range follow the steps shown by the figure beside:



1. turn the head to the desired position for the maximum temperature (1)
2. push the first temperature locking device under the handle (2)
3. turn the head to the desired position for the minimum temperature (3)
4. push the second temperature locking device under the handle (4)