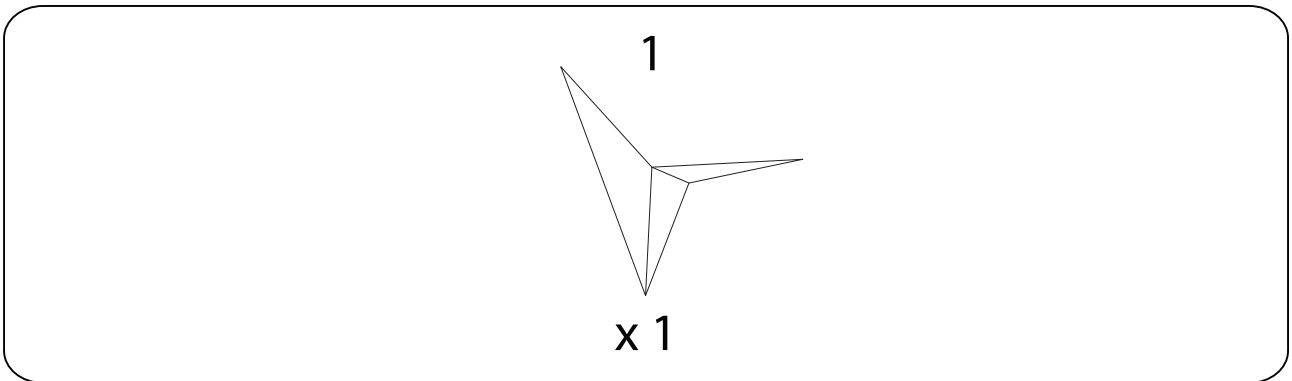


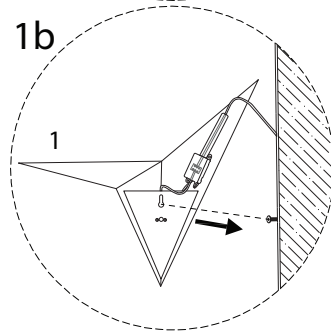
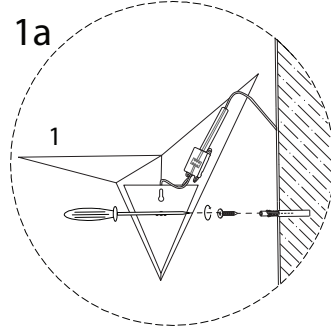
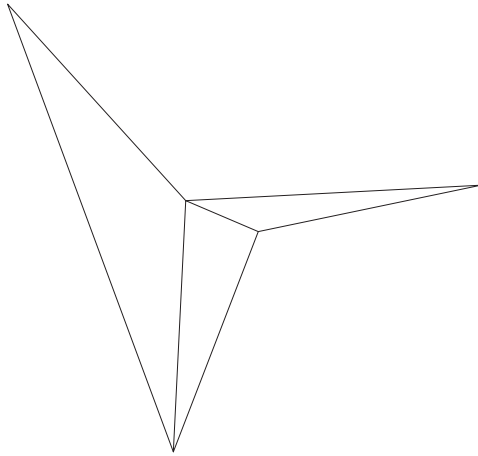
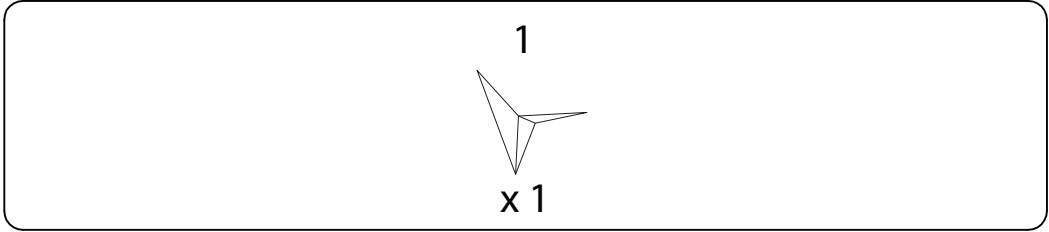
1



1

x 1

1



2

