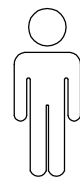



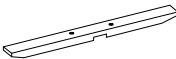
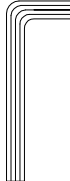
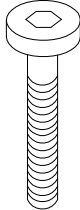


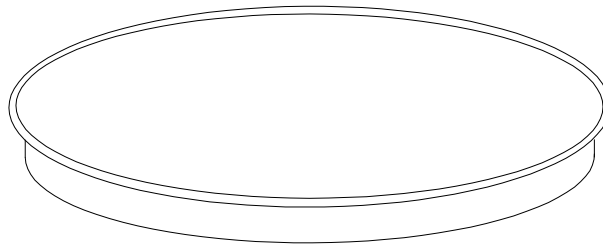
30'



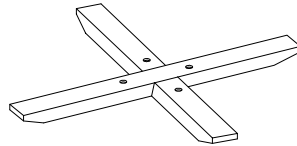
1

<b>P1</b>	<b>P2</b>	<b>P3</b>	<b>P4</b>	<b>H1</b>	<b>H2</b>
					
<b>x 1</b>	<b>x 1</b>	<b>x 4</b>	<b>x 2</b>	<b>x 1</b>	<b>M6 x 40 x 4</b>

P1



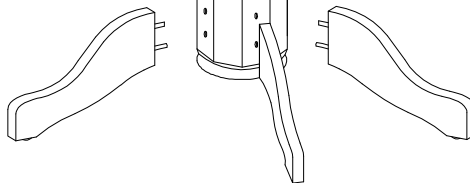
P4 x 2



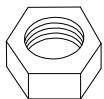
P2



P3 x 4

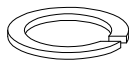


**H3**



**x 8**

**H4**



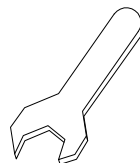
**x 8**

**H5**



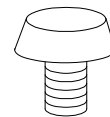
**x 8**

**H6**



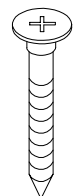
**x 1**

**H7**



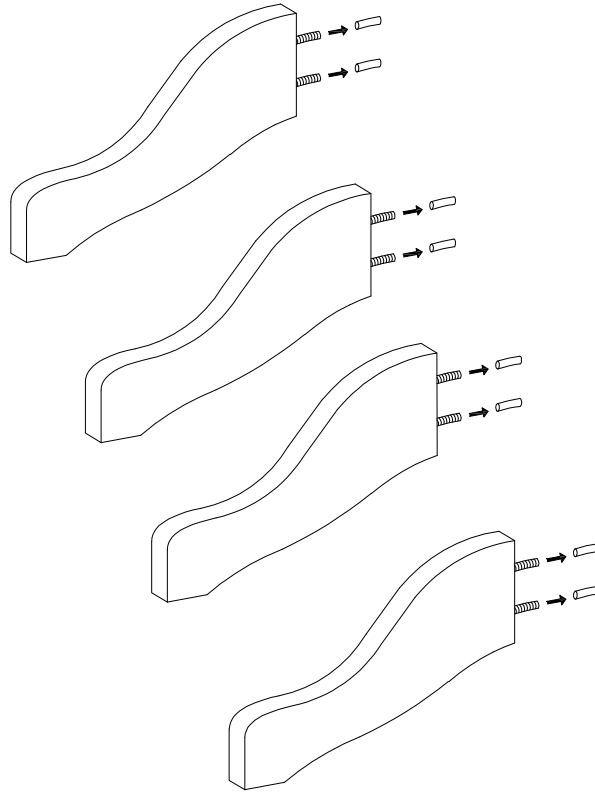
**x 4**

**H8**

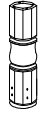
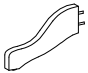
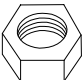

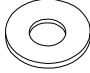
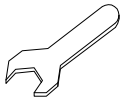


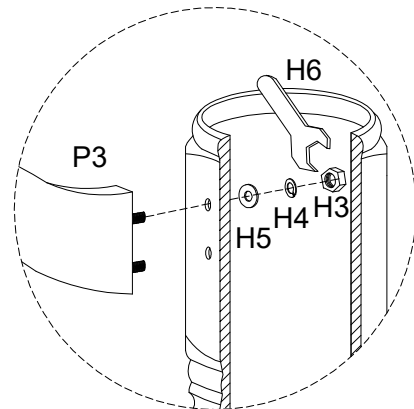
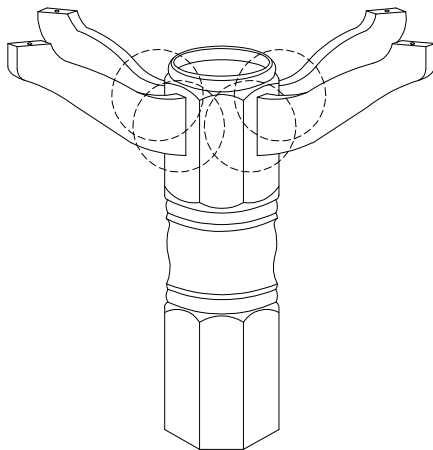
**4  
x  
32  
x 12**

!



1

<b>P2</b>  x 1	<b>P3</b>  x 4	<b>H3</b>  x 8	<b>H4</b>  x 8	<b>H5</b>  x 8	<b>H6</b>  x 1
---	---	---	--	---	---

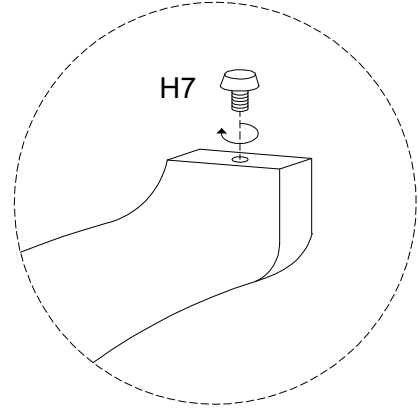
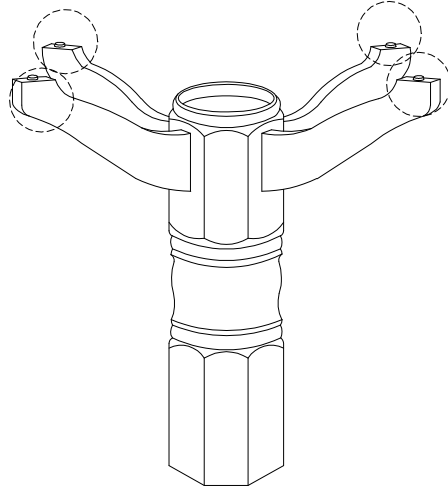


2

H7

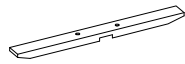


x 4



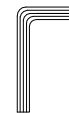
3

P4



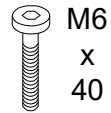
x 2

H1

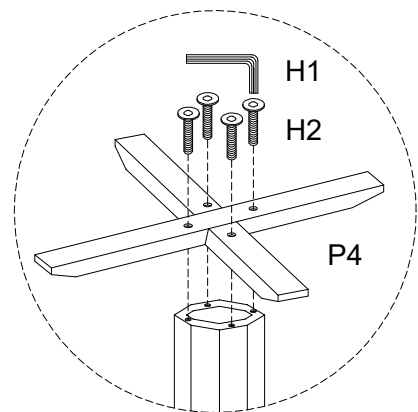
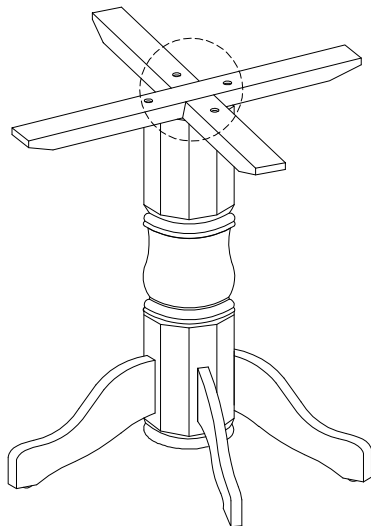


x 1

H2



x 4



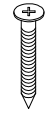
4

P1



x 1

H8



4  
x  
32  
x 12

