

Operation Manual

Electric Powerfile

61117



Illustration similar, may vary depending on model

Read and follow the operating instructions and safety information before using for the first time.

Technical changes reserved!

Due to further developments, illustrations, functioning steps and technical data can differ insignificantly.

Updating the documentation

If you have suggestions for improvement or have found any irregularities, please contact us.



The information contained in this document may alter at any time without previous notice. It is prohibited to copy or spread any parts of this document in any way without prior written allowance. All rights reserved.

The WilTec Wildanger Technik GmbH cannot be held accountable for any possible mistakes in this operating manual, nor in the diagrams and figures shown.

Even though, the WilTec Wildanger Technik GmbH has undergone biggest possible efforts to ensure that the operating manual is complete, faultless and up to date, mistakes cannot be entirely avoided.

If you should find a mistake or wish to make a suggestion for improvement, we look forward to hearing from you.

Send an e-mail to:

service@wiltec.info

or use our contact form:

<https://www.wiltec.de/contacts/>

The most recent version of this manual in various languages can be found in our online shop via:

<https://www.wiltec.de/docsearch>

Our postal address is:

WilTec Wildanger Technik GmbH
Königsbenden 12
52249 Eschweiler
Germany

Do you wish to pick goods up? Our pick-up address is:

WilTec Wildanger Technik GmbH
Königsbenden 28
52249 Eschweiler
Germany

To shorten the waiting time and allow for a rapid on-site transaction, we ask you to call us previously or placing your order via the webshop.

E-mail: service@wiltec.info

Tel: +49 2403 55592-0

Fax: +49 2403 55592-15

To return orders for exchange, repair or for other purposes, please use the following address. Attention! To allow for a smooth execution of your complaint or return, it is important to contact our customer service team before returning the goods.

Returns Department
WilTec Wildanger Technik GmbH
Königsbenden 28
52249 Eschweiler

E-mail: service@wiltec.info

Tel: +49 2403 55592-0






Fax: +49 2403 55592-15

Introduction

Thank you for purchasing this quality product. **To minimize the risk of injury we urge that our clients take some basic safety precautions when using this device. Please read the operation instructions carefully and make sure you have understood its content.**

Keep these operation instructions safe.

Warning Symbols

	Regulatory compliance mark		Double Insulated
	Before use read operating manual		Wear hearing protection
	Always wear eye and hearing protection		

Technical Specifications

Model	61117
Rated voltage	230 - 240V ~ 50Hz
Sound pressure level Lpa	82 dB (A)
Sound power level Lwa	(93+3) dB (A) (k=3)
Hand-arm vibration Aw	3.8 m/s ²
Rated power input	400 W
No load speed, NO	900 – 1400 rpm
Sanding belt size	455 x 6 mm, 455 x 13 mm
Max sanding depth	125 mm
Insulation class of engine	E
Weight	1.24 kg
Size	430 x 200 x 110 mm

General Power Tool Safety Warnings

Warning

Read all safety warnings and all instructions. Failure to follow the warnings and instructions may result in electric shock, fire and/ or serious injury.

Save all warnings and instructions for future reference. The term “power tool” in the warnings refers to your mains-operated (corded) power tool or battery-operated (cordless) power tool.

Working Area

- **Keep your work area clean and well lit.** Cluttered benches and dark areas lead to accidents.
- **Do not operate power tools in explosive atmospheres, such as the presence of flammable liquids, gases or dust.** Power tools create sparks which might ignite dust or fumes.
- **Keep bystanders, children and visitors away while operating the tool.** Distractions can cause you to lose control.



Electrical Safety

1. **Power tool plugs must match the outlet. Never modify the plugs in any way. Do not use any adapter plugs with earthed power tools. Unmodified plugs and matching outlets will reduce the risk of electric shock.** Do not change the plug in any way. Double insulation eliminates the need for the three wire grounded power cord and grounded power supply system.
- **Avoid body contact with grounded surfaces such as pipes, radiators, cooker plates and refrigerators.** There is an increased risk of electric shock if your body is grounded.
- **Do not expose power tools to rain or wet conditions.** Water entering a power tool will increase the risk of electric shock.
- **Do not abuse the cord. Never use the cord to carry the tool or pull the plug from an outlet. Keep the cord away from heat, oil, sharp edges or moving parts.** Replace damaged cords immediately. Damaged cords increase the risk of electric shock.
- **When operating a power tool outside, use an outdoor extension cord.** These cords are rated for outdoor use and reduce the risk of electric shock.
- **If operating a power tool in a damp location it is unavoidable to use a residual current device (RCD) protected supply.** Use of an RCD reduces the risk of electric shock.

Personal Safety

- **Stay alert, watch what you are doing and use common sense when operating a power tool. Do not use tools when you are tired or under the influence of drugs, alcohol or medication.** A moment of inattention while operating power tools may result in serious personal injury.
- **Dress properly. Do not wear loose clothing or jewellery. Tie long hair together.** Keep your hair, clothing and gloves away from moving parts, as they can get caught in these.
- **Avoid accidental starting. Be sure the switch is turned off before plugging the device in.** Carrying tools with your finger on the switch or plugging tools in that have the switch turned on may lead to accidents.
- **Remove adjusting keys or wrenches before turning the tool on.** A wrench or a key that is left attached to a rotating part of the tool may result in personal injury.
- **Do not overreach. Keep a safe footing and balance at all times.** Safe footing and balance enable better control of the tool in unexpected situations.
- **Use safety equipment. Always wear eye protection.** Dust masks, non-slip safety shoes, safety helmets or hearing protections must be used for appropriate conditions. Ordinary eye or sun glasses are **no** eye protection.
- **If devices are provided for the connection of dust extraction and collection facilities ensure that these are connected and properly used.** Use of dust collection can reduce dust-related hazards.



Tool Use and Care

- **Do not force the tool to carry out work it was not designed for. Use the correct tool for the work needing to be carried out.** The correct tool will work better and safer at a rate for which it was designed.
- **Do not use the tool if the switch does not work properly.** Any tool that cannot be controlled with the switch is dangerous and must be repaired.
- **Disconnect the plug from the power source before making any adjustments, changing equipment or when storing the tool.** Such preventive safety measures reduce the risk of starting the tool accidentally.
- **Store the tools out of reach of children and other untrained people.** Tools are dangerous in the hands of untrained users.
- **Maintain tools with care. Keep cutting tools sharp and clean.** Properly maintained tools with sharp cutting edges are less likely to get stuck and therefore are easier to control.
- **Use the power tool, equipment and tool bits, etc. in accordance with these instructions and by taking the working conditions into account such as the work being carried out.** Using the power tool for work other than the stated could result in a hazardous situation.

Servicing

The power tool needs to be serviced by a qualified person from an authorized service partner using only original and identical parts. This will ensure that the safety of the power tool is maintained.

Additional Safety Instructions for the Electric Powerfile

Warning

Safety instructions for all future operations: Hold the power tool by its insulated gripping surface, as the belt may contact its own cord. Cutting a “live” wire may expose metal parts of the power tool and make them “live” and could lead to an electric shock.

Wear a dust mask whenever sanding. Thoroughly remove all dust after sanding. Take special care when sanding paint which is possibly lead based or when sanding some woods and metals which may produce toxic dust.

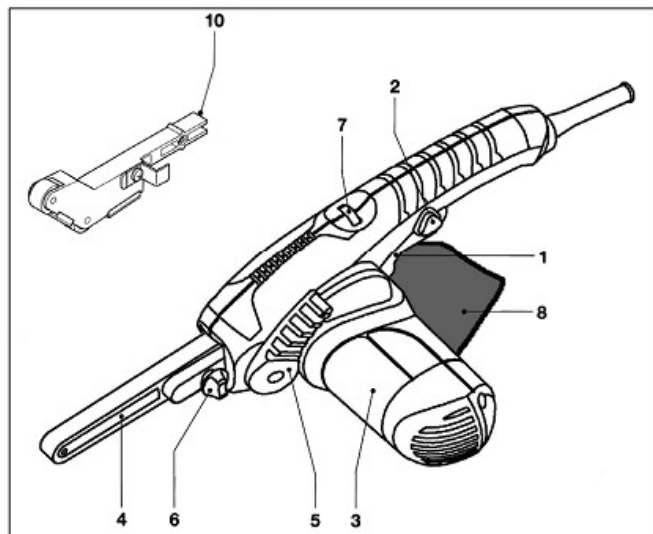
- Wear a dust mask specifically designed for protection against lead paint dust and ensure that people within or entering the work area are also protected.
- Do not let children or pregnant women enter the working area.
- Do not eat, drink or smoke within the work area.
- Dispose dust particles and any other debris safely.
- Before using the tool on wooden work pieces place the dust bag.

- Before using the tool on metal work pieces or work pieces containing metal make sure to remove the dust bag.
- Wear gloves when working with metal work pieces.
- It is recommended that the tool always should be supplied by a residual current device with a rated residual current of 30 mA or less.

Operation - Controls & Instructions

Components

- A. On/ off switch
- B. Lock-on button
- C. Secondary handle
- D. Straight arm
- E. Belt tensioning lever
- F. Belt tracking knob
- G. Variable speed control knob
- H. Dust bag
- I.
- J. Cranked arm



Unpacking the Box

Carefully unpack all parts and check that all the parts listed below are included. If any items are missing, immediately contact the seller.

Equipment:

- 10 pc P80 sanding belts – 1 set
- 3 x sanding arms
- Instruction manual – 1 piece

Assembly

Warning

Before assembly, make sure that the tool is switched off and unplugged.

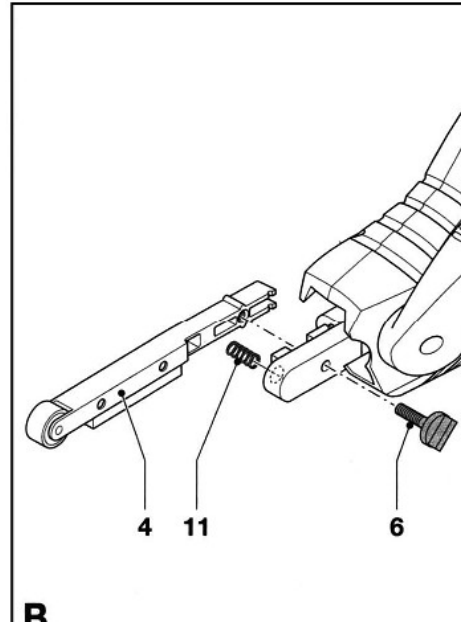
Fitting and Removing the Sanding Arms (fig. B)

Before the first use, the sanding arm needs to be placed to the tool.

- A straight arm (sanding width 13mm)
- A curved arm for grooving and sanding in the centre of work pieces and for reaching confined areas.

Fitting

- Make sure that the belt tensioning lever (5) is in the position shown (fig. B).
- Loosen and remove the belt tracking knob (6).
- Remove the tape retaining the spring (11) (if present).
- Check that the spring is located in its mounting hole.
- Position the arm (4) as shown.
- Fit the belt tracking knob (6) and tighten it until the arm is aligned with the tool.



Removing

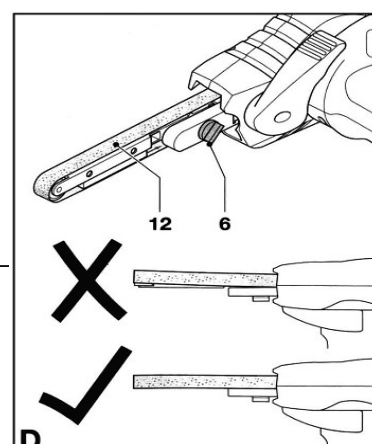
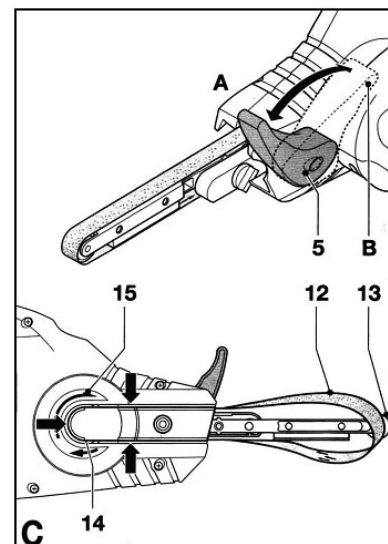
- Remove the sanding belt (if present) as described below.
- Loosen and remove the belt tracking knob (6).
- Remove the arm.

Warning: Be careful not to lose the spring (11).

Fitting and Removing the Sanding Belts (fig. C)

Fitting

1. Move the belt tensioning lever (5) to the front position (fig. A).
2. Make sure that the arrows on the inside of the sanding belt face the same direction as the arrows (15) on the housing.
3. Place the sanding belt (12) over the front pulley (13) and the rear pulley (14), sliding it through the slot in the housing.
4. Move the belt tensioning lever (5) to the rear position (B).
5. Adjust the belt tracking as described below.



Removing

- Move the belt tensioning lever (5) to the front position (A).
- Slide the sanding belt (12) off the pulleys.

Adjusting the Sanding Belt Tracking (fig. D)

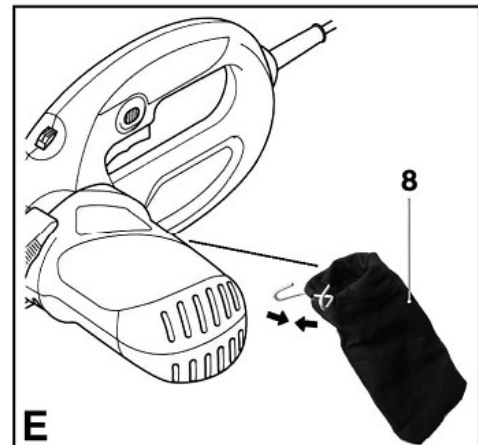
- Switch the tool.
- Turn the belt tracking knob (6) as required until the sanding belt runs straight along the length of the arm.

Fitting and Removing the Dust Bag (fig. E)

Warning: Make sure to remove the dust bag before using the tool on metal work pieces.

Fitting

1. Align the dust bag (8) with the tool and loosen clamp as shown.
2. Slide the dust bag onto the tool until it clicks into place and release the clamp.



Removing

Loose the clamp and pull the dust bag (8) off the tool.

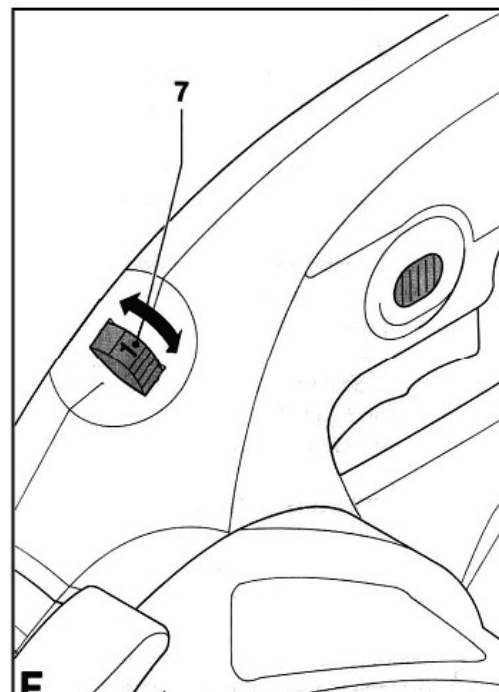
Use:

Warning: Let the tool work at its own pace. Do not overburden it.

Variable Speed Control (fig. F)

The variable speed control allows you to adapt the speed of the tool to the work piece and the speed that is required.

Use a low speed setting when using a fine grit, when working with plastics or ceramics and when removing painted or varnished surfaces. Use a high speed setting when using a coarse grid and when removing a lot of material.



- Set the control knob (7) to the desired setting. Switching it on and off is possible by pressing the switch shown (Fig. G).

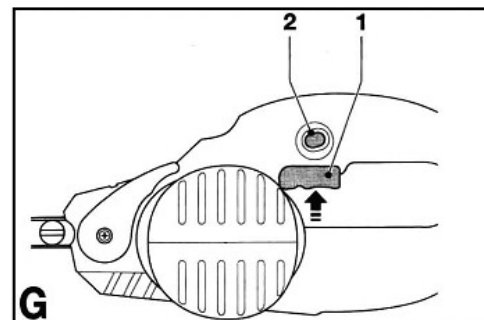
- To switch the tool on, press the on/ off switch (1).
- To switch the tool off, release the on/ off switch.
- For continuous operation:
 1. Press the on/off switch (1).
 2. Press the lock-on button (2).
 3. Release the on/off switch.
- To switch the tool off when in continuous operation, press and release on/ off switch (1).

Emptying the Dust Bag (fig. G)

The dust bag should be emptied after 10 minutes of use.

1. Align the dust bag (8) with the tool and loosen the clamp as shown.
2. Hold the spout down and shake the dust bag to empty the contents.
3. Refit the dust bag onto the tool.

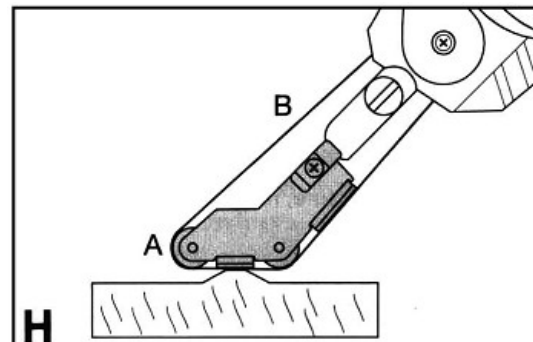
If necessary, the dust bag can be removed from its frame and can be washed. Let it dry before refitting it.



Curved Arm (fig. H)

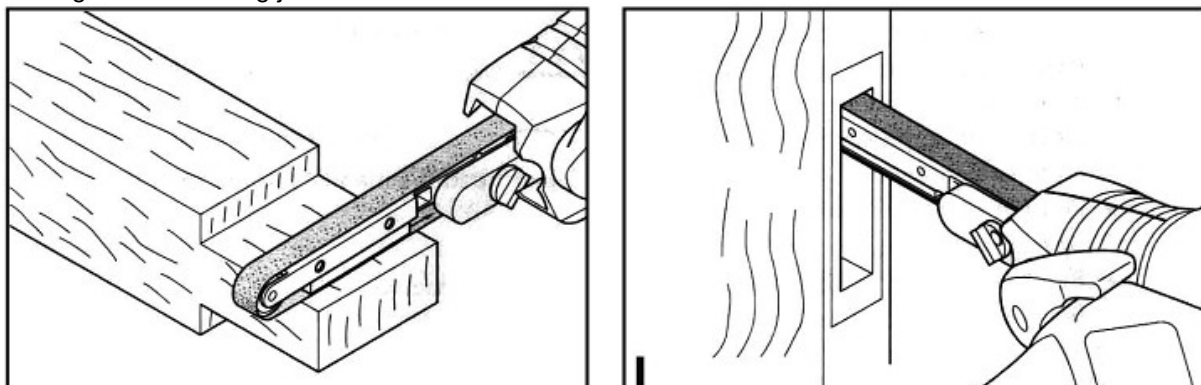
Use section A for grooving or sanding in the centre of work pieces and in confined areas.

Use section B for curved surfaces.



Straight Arm (fig. I)


Use the normal and narrow arm for general use for slotting and for making joints.



Tips for Optimal Use

- Always hold the tool with both hands.
- Do not exert too much pressure on the tool.
- Regularly check the condition of the sanding belt. Replace when necessary.
- Always sand with the grain of the wood.
- The work piece needs to be suitably supported or clamped.
- When sanding new layers of paint before applying another layer, use extra fine grit.
- On very uneven surfaces or when removing layers of paint, start with a coarse grit. On other surfaces start with medium grit. In both cases, gradually change to a fine grit for a smooth finish.
- Consult the retailer for more information on available equipment.

Maintenance


 **Warning: Before cleaning or performing maintenance the power supply must be disconnected from the tool. All maintenance should only be carried out by the manufacturer or authorized professionals.**

If the supply cord is damaged, it must be replaced by an authorised specialist with an especially prepared electricity cable to avoid a safety hazard.

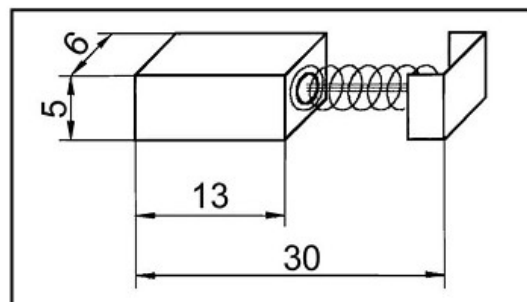
Carbon Brushes

The brush and commutator of the tool should be visually examined for several months. Their good contact makes the tool energetic. When the spark around the commutator gets bigger the carbon brush should be changed.

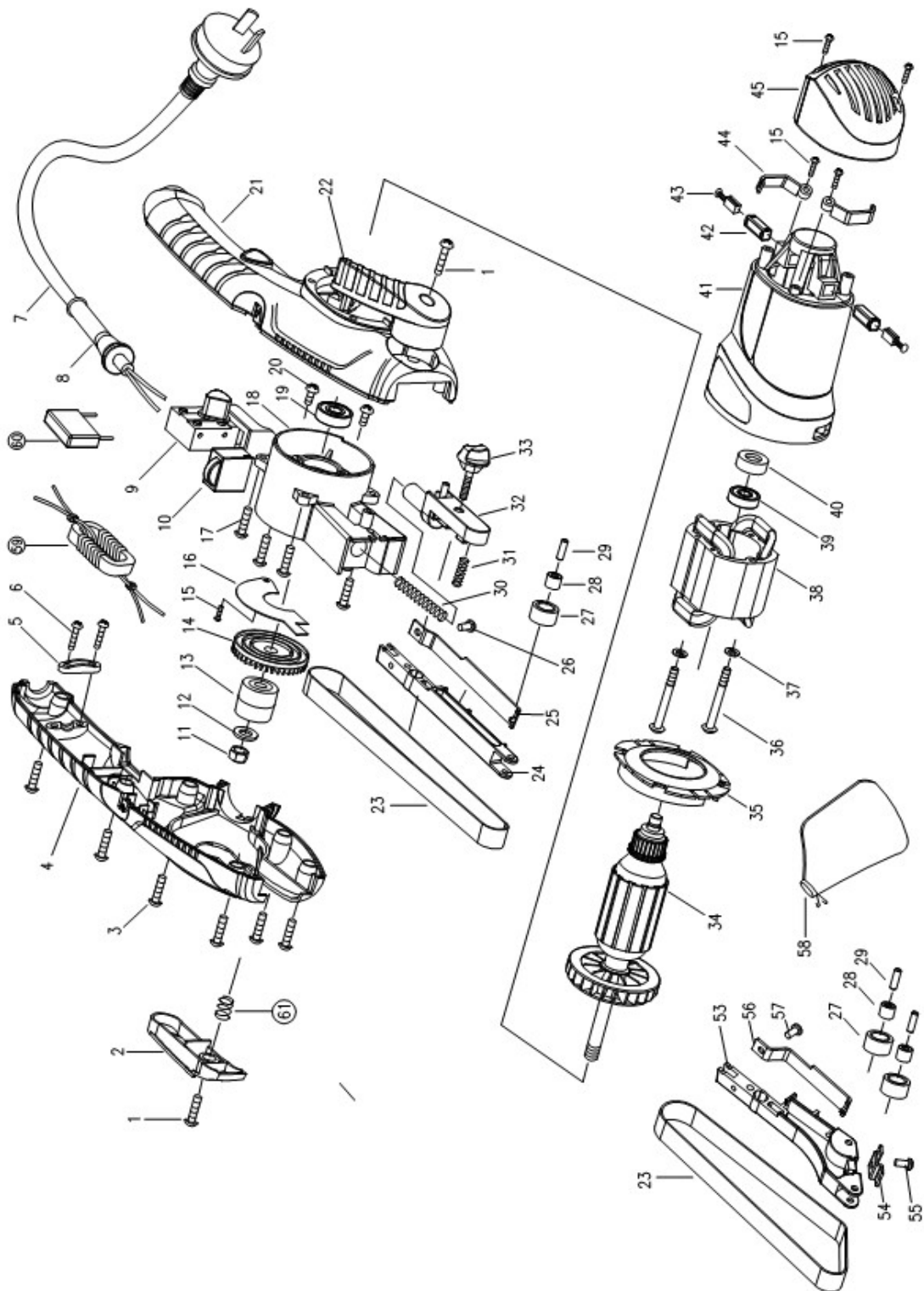
Cleaning

 **Warning: Before cleaning or performing maintenance the power supply must be disconnected from the tool. Compressed dry air may be the most effective cleaning method. Always wear safety glasses when cleaning tools with compressed air.**

Ventilation openings and switch levers must be kept clean. Do not attempt to clean them by inserting pointed objects through openings. No chemical agent is allowed to be used in cleaning the power tool.



Exploded View Illustration



Parts List

No	Description	Qty	No	Description	Qty
1	Typing screw	2	32	Arm set	1
2	Left cap	1	33	Knob	1
3	Typing screw	6	34	Armature	1
4	Left handle	1	35	Fan guide	1
5	Cord clamp	1	36	Screw	2
6	Typing screw	2	37	Spring washer	2
7	Cord plug	1	38	Stator	1
8	Cord armour	1	39	Bearing	1
9	Switch	1	40	Bearing set	1
10	Speed level	1	41	Motor housing	1
11	Nut left	1	42	Brush holder	2
12	Washer	1	43	Brush	1
13	Belt wheel	1	44	Insulation block	2
14	Fan	1	45	Back cap	1
15	Typing screw	5	46		
16	Fan guide	1	47		
17	Typing screw	4	48		
18	Base	1	49		
19	Bearing	1	50		
20	Screw	2	51		
21	Right Handle	1	52		
22	Wrench	1	53	Curved arm	1
23	Sanding belts	2	54	Soft pad	1
24	Strant arm	1	55	Pad	1
25	Soft pad	1	56	Soft pad	1
26	Pad	1	57	Pad	1
27	Pulley	3	58	Dust bag	1
28	Bearing	3	59	Inductance	1
29	Axes	3	60	Capacitance	1
30	Spring	1	61	Spring	1
31	Small spring	1	62		

Disposal regulations

EU guidelines regarding the disposal of scrap electric appliances (WEEE, 2012/19/EU) were implemented in the law related to electrical and electronic equipment and appliances.

All WiITec electric devices that fall under the WEEE regulations are labelled with the crossed-out wheeled waste bin logo. This logo indicates that this electric equipment must not be disposed with the domestic waste.

The company WiITec Technik GmbH has been registered in the German registry EAR under the WEEE-registration number DE45283704.

Disposal of used electrical and electronic appliances (intended for use in the countries of the European Union and other European countries with a separate collection system for these appliances).

The logo on the article or on its packaging points out that this article must not be treated as normal household waste but must be disposed to a recycling collection point for electronic and electrical waste equipment. By contributing to the correct disposal of this article you protect the environment and the health of your fellow men. Environment and health are threatened by inappropriate disposal.



Materials' recycling helps reduce the consumption of raw materials.

Additional information on recycling this article can be provided by your local community, municipal waste disposal facilities or the store where you purchased the article.

Address:
WiITec Wildanger Technik GmbH
Königsbenden 12 / 28
D-52249 Eschweiler

Important notice:

The reprint or reproduction, even of excerpts, and any commercial use, even in part of this instructions manual require the written permission of WiITec Wildanger Technik GmbH.

EG-Konformitätserklärung

Declaration of Conformity / Declaration de Conformity

(gemäß den Richtlinien 2006/42/EC Maschinenrichtlinie)

Reference Nummer: No. AM 50375997 001

Report Number 15024022017

Firma / Company / Société

WilTec Wildanger Technik GmbH
Koenigsbenden 12
52249 Eschweiler, Deutschland

erklärt, dass das Produkt:

Bandschleifgerät

Type:

61117 S1C-ZP-125

Verwendungszweck:

Minibandschleifer für Schleifarbeiten
230-240V~, 50Hz, 400W Schutzklasse II

mit den folgenden EG-Rats-Richtlinien übereinstimmt:

This appliance is in conformity with the following european directives:

Cet appareil est conform aux diirectives européennes:

2006/42/EC

Es ist nach folgenden harmonisierten Normen geprüft worden:

It has been tested with the following harmonised standards:

Il a été testé à partir des norms harmonisées suivantes:

EN 60745-1 :2009+A11

EN 60745-2-4 :2009+A11

AfPS GS 2014 :01

Bevollmächtigter für die Zusammenstellung der technischen Unterlagen:

Bernd Wildanger, Geschäftsführer WilTec Wildanger Technik GmbH
Königsbenden 12
52249 Eschweiler
Deutschland

Eschweiler, 28. April 2017



Bernd Wildanger
Geschäftsführer