

02PATINCSWA-V1-PEFC
Swing for Activity Tower



WARNING: Only for domestic use
Not suitable for children under 36 months due to small parts and danger of falling from heights.
To be used under direct supervision of an adult



BEFORE YOU START PLEASE THE READ INSTRUCTIONS CAREFULLY

- Check the pack and make sure you have all the parts listed in the parts list provided.
- When you are ready to start, make sure you have the right tools at hand (not supplied) including a Phillips screwdriver, Flathead screwdriver, Stanley knife, Wood saw, Step ladder, Hammer, Spirit level and a Drill with 2mm bit.
- Ensure there is plenty of space and a clean dry area for assembly.
- Ensure you have enough time to build the product to ensure the building is water tight.

TIMBER

As with all natural materials, timber can be affected during various weather conditions. For the duration of heavy or extended periods of rain, swelling of the wood panels may occur. Warping of the wood may also occur during excessive dry spells due natural processes. Unfortunately, these processes cannot be avoided but can be helped. It is suggested that the outdoor building is sprayed with water during extended periods of hot weather and sheltered as much as possible during rain or snow.

Our buildings are pre treated with a water based treatment**; this only helps to prevent discolouration whilst in stock. To validate your guarantee and ensure longevity of the product, it is ESSENTIAL the building is treated with a suitable preservative in accordance with the manufacturers recommendations. Care must be taken to ensure the product is placed on a suitable base.

We recommended using a suitable protection for your playhouse. As the product is destined for use by children, a water based treatment that is **EN71 tested** for children is ESSENTIAL.

We also recommend treating the building prior to construction.

POSITIONING YOUR PLAYHOUSE

When thinking about where the building and base is going to be constructed:
 Ensure that there will be access to all sides for maintenance work and annual treatment.

We recommend a **minimum space of 2m around a playhouse**, away from any structure or obstructions such as fences, garages, houses, overhanging branches, washing lines or electrical wires.

It is recommended that the position of the Playhouse, Slide and Swing is **not in direct sunlight**.

Activity toys such as swings and slides for towers shall not be installed over concrete, asphalt or any hard surface.

BUILDING A BASE

Ensure the base is level and is built on firm ground, to prevent distortion, checking with a spirit level. Refer to diagrams for the base dimensions. The base should be slightly smaller than the external measurement of the building, i.e. The cladding should overlap the base, creating a run off for water. It is also recommended that the floor be at least 25mm above the surrounding ground level to avoid flooding.

TYPES OF BASE

- Concrete 75mm laid on top of 75mm hard-core.
- Slabs laid on 50mm of sharp sand.
- Wooden base.



WARNING

- ONLY SUITABLE FOR DOMESTIC USE.
- TO BE USED UNDER DIRECT SUPERVISION OF AN ADULT.
- THIS PRODUCT SHOULD NOT BE MODIFIED IN ANY WAY. ANY MODIFICATIONS SHOULD BE DETERMINED BY THE MANUFACTURER AND CARRIED OUT ACCORDING TO THE INSTRUCTIONS.
- DO NOT ALLOW YOUR CHILD TO PLAY WITH ANY COMPONENT PARTS PRIOR TO ASSEMBLY.
- MAX AGE OF 14 YEARS.
- THIS TOY IS FOR OUTDOOR USE ONLY.
- USE A WATER BASED TREATMENT THAT IS EN71 TESTED

CAUTION

Wood is a natural product and can change post manufacture. So despite every effort being made to ensure the material used are cut and machined to a clean and smooth finish, care must be taken when handling the product and preparing for use by your child.

Any areas of concern, in the play areas, can be rubbed over with sandpaper to achieve a smoother finish. Alternatively, call the customer service department who will be happy to arrange replacement panels/parts.



All buildings should be erected by at least two adults.
DO NOT ALLOW CHILDREN TO ASSIST.



Winter = High Moisture = Expansion
 Summer = Low Moisture = Contraction



2mm Drill bit
 12mm CSK

To prevent damage during assembly, you **MUST** pilot drill all screw holes and **ensure all screw heads are countersunk.**



For ease of assembly, you will need a tape measure to check dimensions of components.

Whilst all products manufactured are made to the highest standards of Safety and in the case of childrens products independently tested to EN71, we cannot accept responsibility for your safety whilst erecting this product.

**Protim Aquatan T

Your building has been treated with **Aquatan**.

Aquatan is a water-based concentrate which is diluted with water, the building as been treated by the correct application of Aquatan solution and then allowed to dry.

Aquatan is a decorative finish to colour the wood, which is applied industrially to timber fence panels and garden buildings.

Aquatan undiluted contains: boric acid, sodium hydroxide 32% solution, aqueous mixture of sodium dioctyl sulphosuccinat and alcohols: 2, 4, 6-trichlorophenol.

In all instances for assistance with your product, please contact customer care on : 01636 880514 or customerservice@merciagp.co.uk

**Mercia Garden Products Limited,
 Sutton On Trent,
 Newark,
 Nottinghamshire,
 NG23 6QN**



Look for the symbols and follow the safety guidelines below.



1! Ensure screw heads are subflush and sand down any splinters created.



2! Ensure the screws are fixed squarely and do not protrude.



3! 12mm gap surrounding the door.



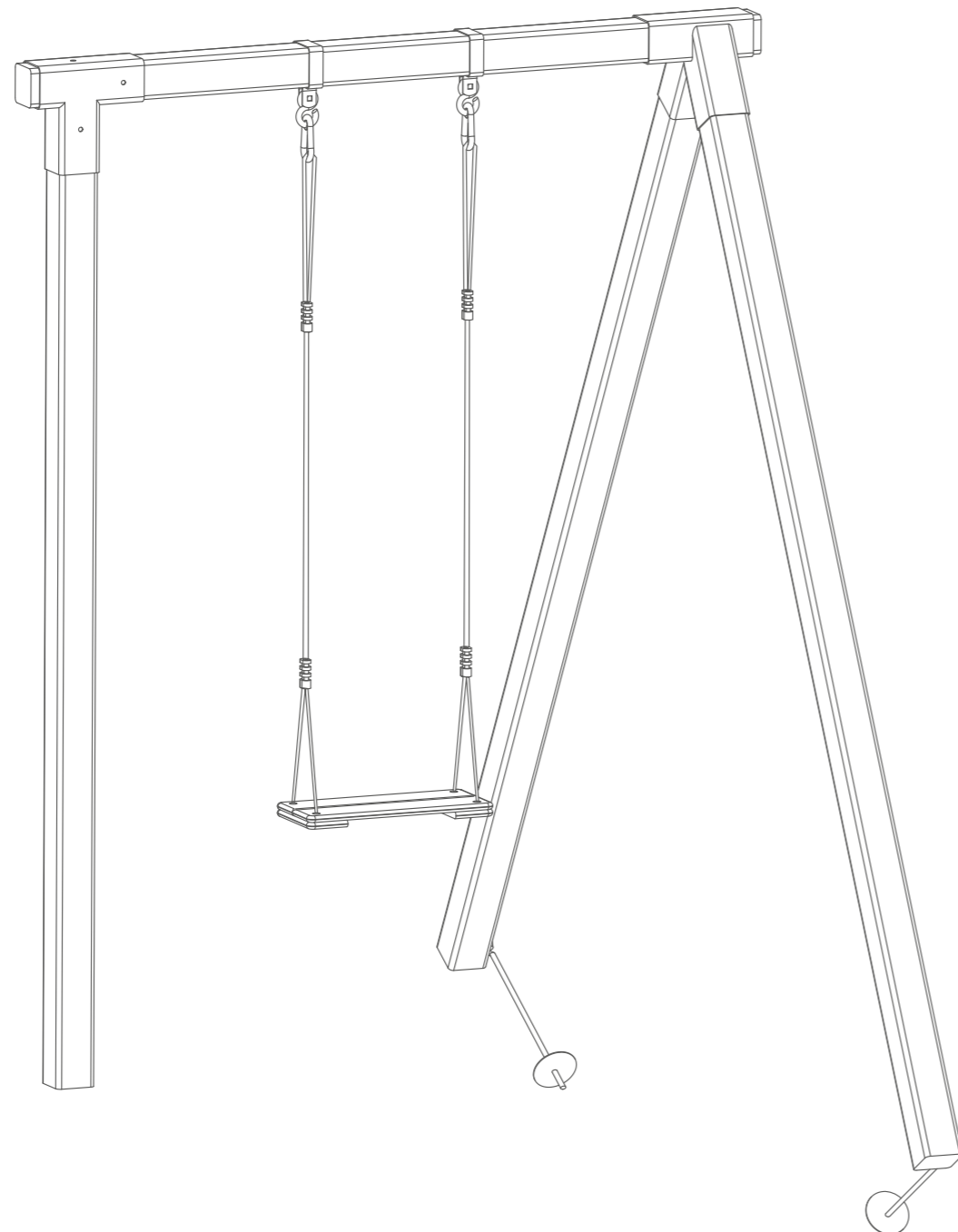
4! Not to be installed over concrete, asphalt or any hard surface.



This tower can only be used with the following playhouses:
02RSE0505-V2
02TUL411411-V4-PEFC
02POP411411-V4-PEFC

Overall Dimensions:

Width = 1750mm
 Length = 2742mm
 Height = 2293mm



1



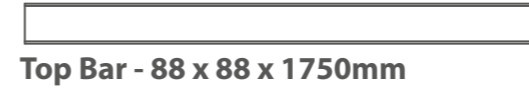
Legs - 90 x 90 x 2600mm QTY x2

2



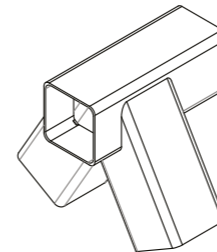
Upright - 90 x 90 x 2200mm

3



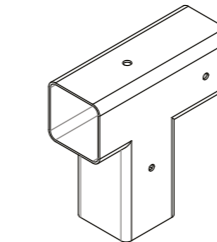
Top Bar - 88 x 88 x 1750mm

4



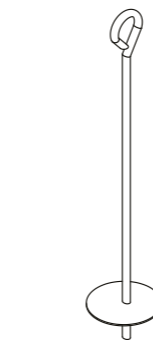
Leg Bracket
PI-10-0032

5



T Bracket
PI-010-0031

6



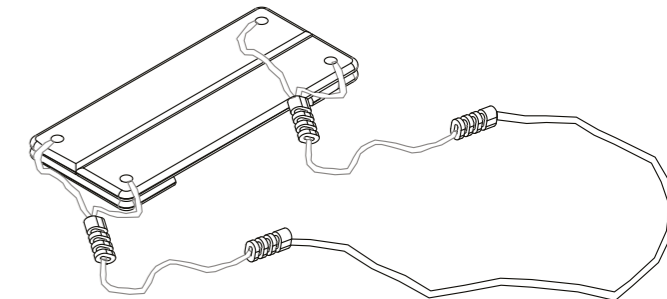
Ground Stake
PI-10-0035 QTY x2

7



Swing Hook
PI-10-0034 QTY x2

8



Swing Seat
PI-10-0033

Nail Bag

- 40mm Screw x 4
- 60mm Screw x 8
- 70mm Hex Screw x 2
- 150mm Screw x 4

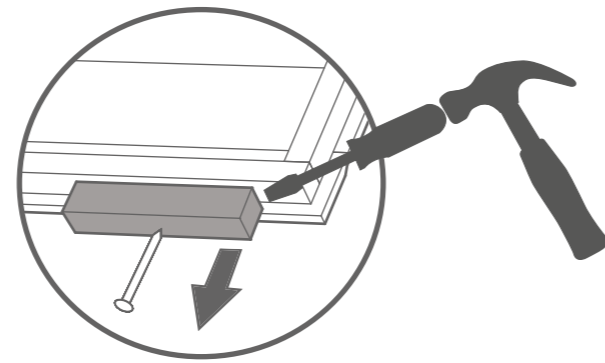
DO NOT ALLOW YOUR CHILD TO PLAY WITH ANY COMPONENT PARTS PRIOR TO ASSEMBLY.

Pre Assembly

Before assembling remove the transportation blocks from the bottom of each panel.

Take care removing the blocks as to not damage the panels. Tap with a flat headed screwdriver and hammer.

Dispose of the blocks once removed.

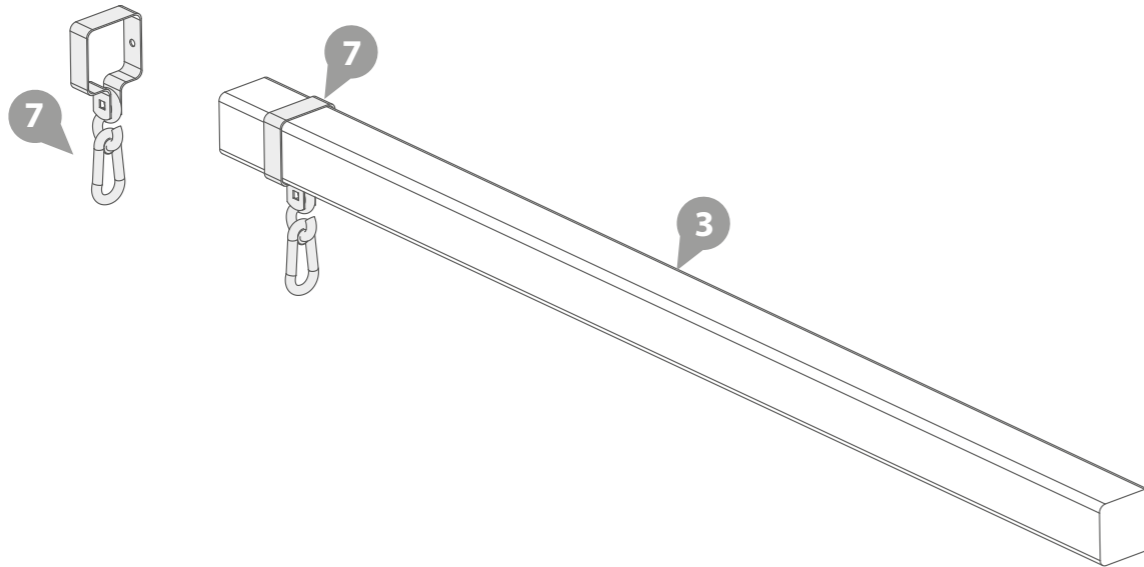


Step 1

Parts needed - **3** & **7** x2

Slide both of the Swing Hooks (No. 7) onto the Top Bar (No. 3).

Do not fix into place.



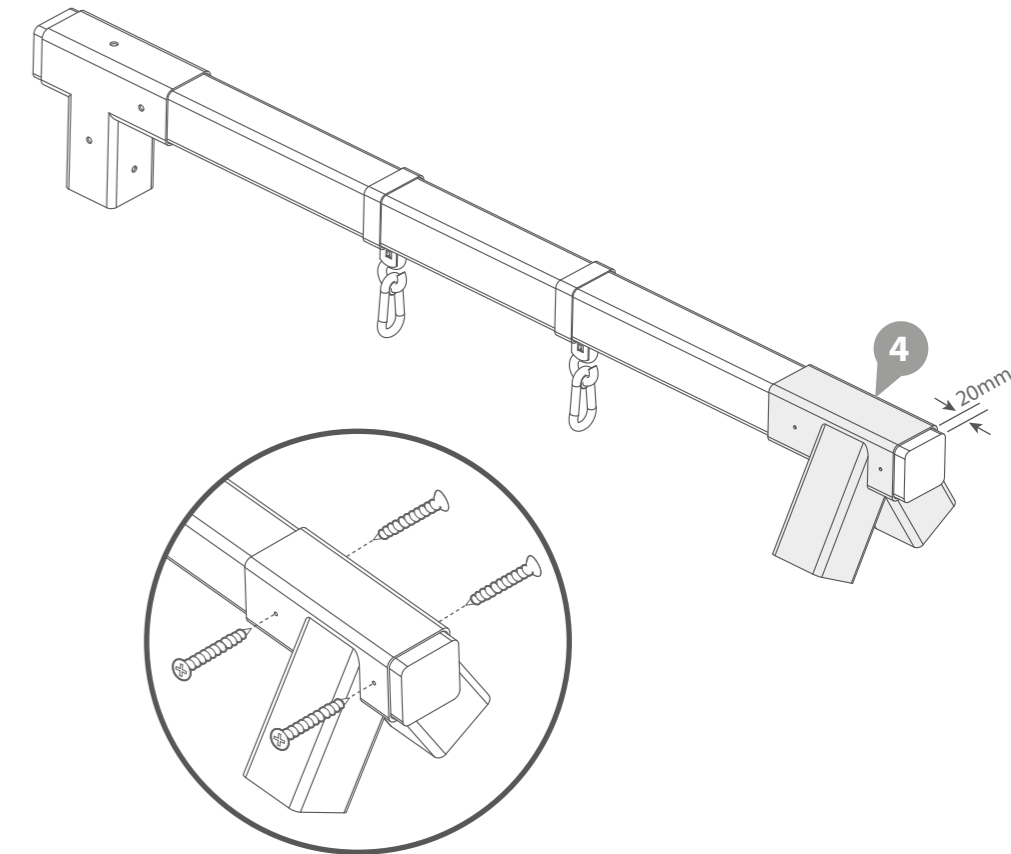
Step 3

Parts needed - **4**

Position the Leg Bracket (No. 4) 20mm from the end opposite to the T Bracket.

Secure into place with the 4x40mm screws.

4x40mm screws



Step 2

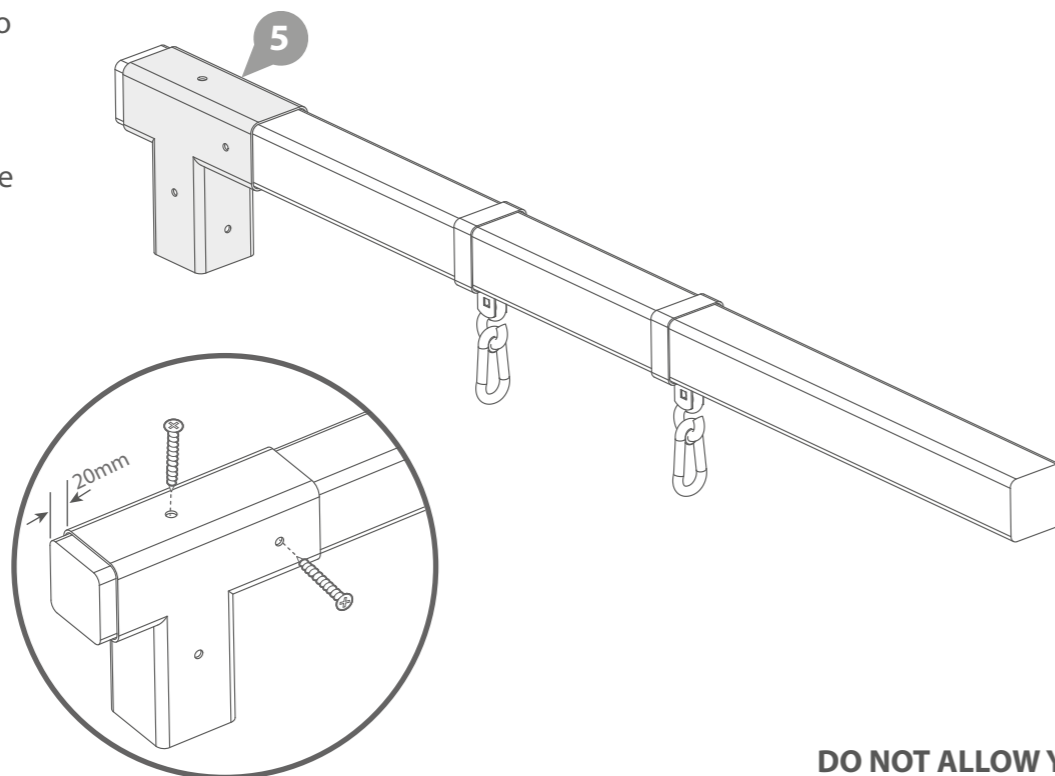
Parts needed - **5**

Slide the T Bracket (No. 5) onto the Top Bar.

Measure 20mm from the end of the Top Bar to the end of the T Bracket as shown.

Secure in place with 2x60mm screws.

2x60mm screws.

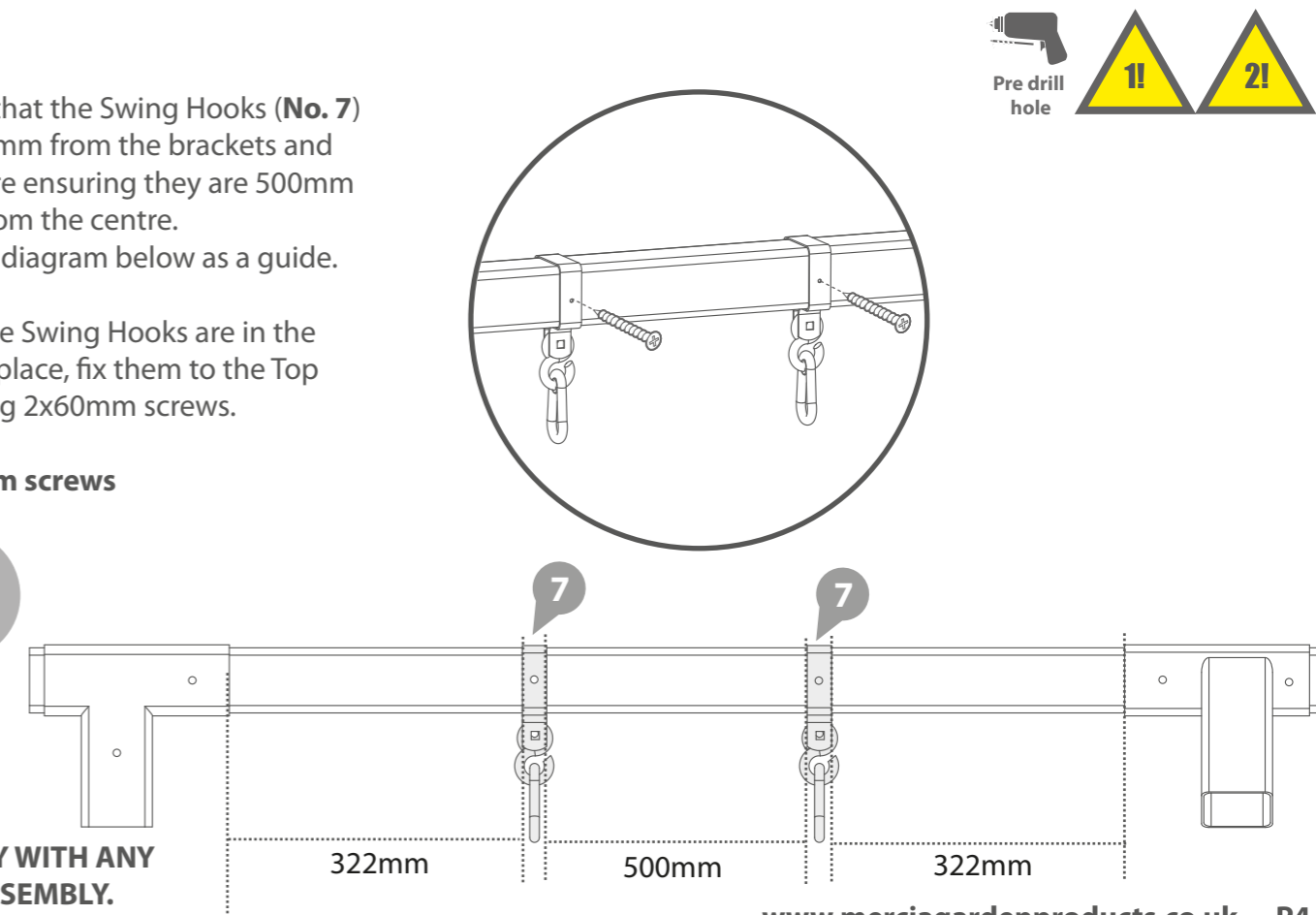


Step 4

Ensure that the Swing Hooks (No. 7) are 322mm from the brackets and therefore ensuring they are 500mm apart from the centre. Use the diagram below as a guide.

Once the Swing Hooks are in the correct place, fix them to the Top Bar using 2x60mm screws.

2x60mm screws



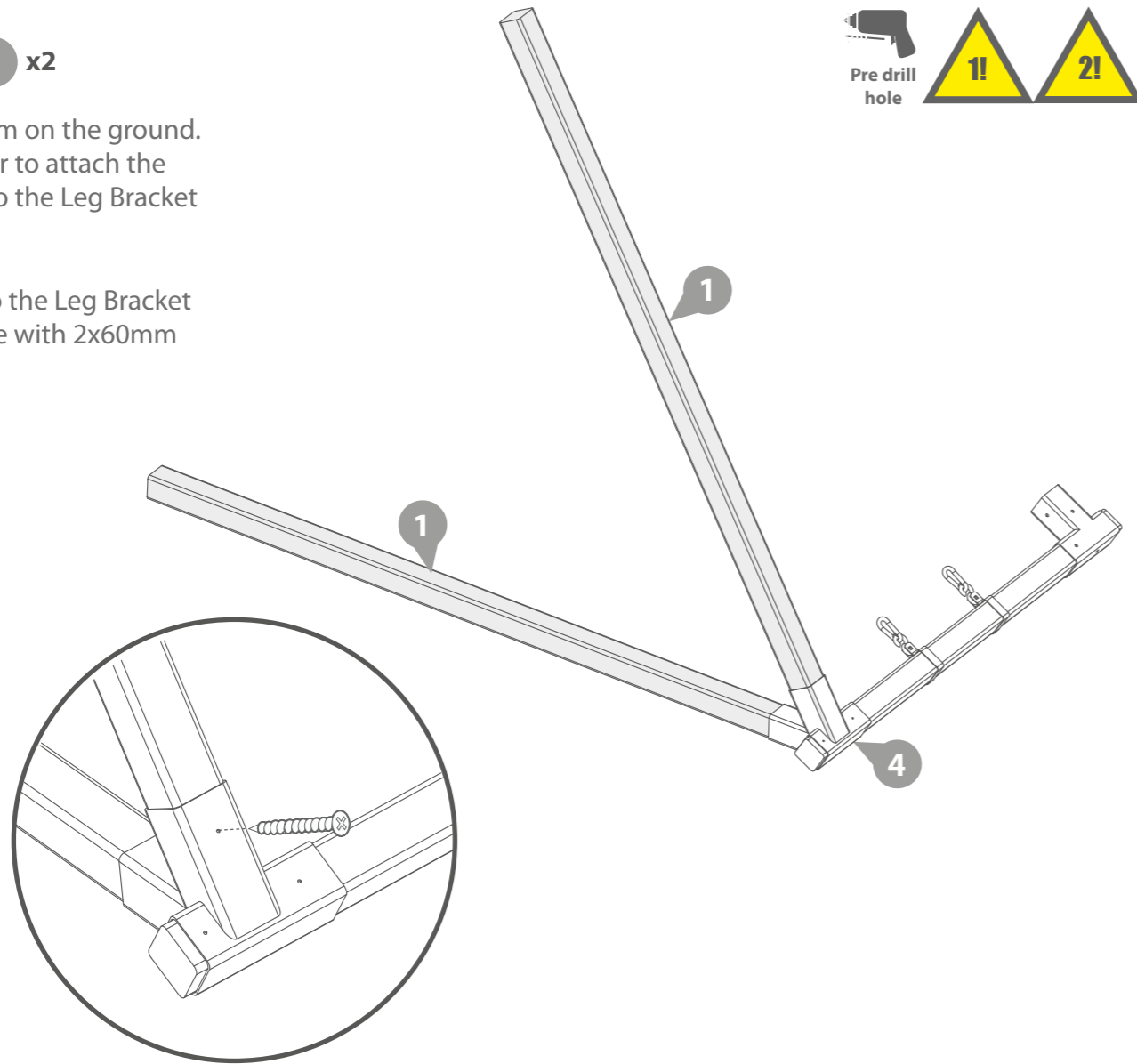
DO NOT ALLOW YOUR CHILD TO PLAY WITH ANY COMPONENT PARTS PRIOR TO ASSEMBLY.

Step 5
Parts needed - 1 x2

Place the swing arm on the ground. This makes it easier to attach the Legs x2 (No. 1) into the Leg Bracket (No. 4) as shown.

Place the Legs into the Leg Bracket and secure in place with 2x60mm screws.

2x60mm screws.

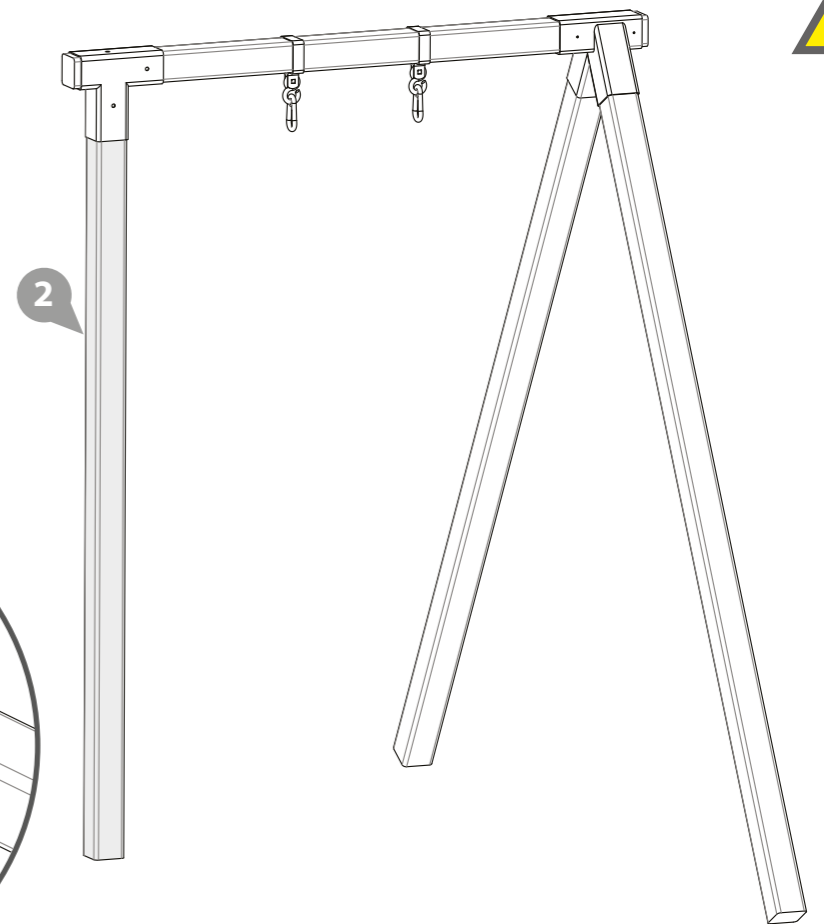
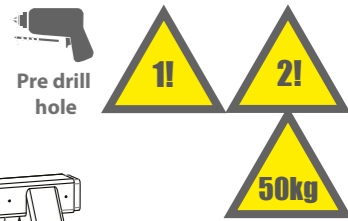
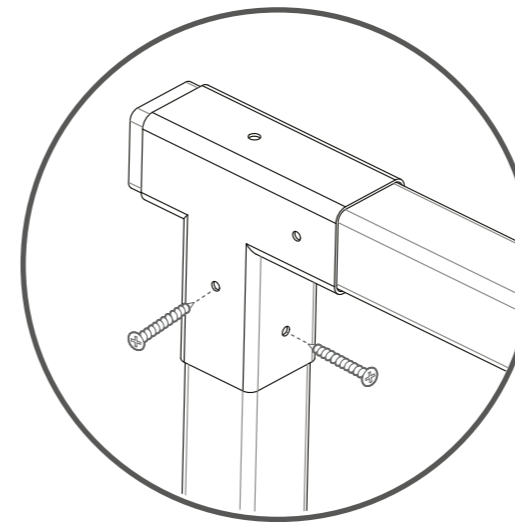


Step 6
Parts needed - 2

Rotate the Swing Frame upright and lower the swing arm down onto the Upright (No. 2).

Secure the Upright to the T Bracket using 2x60mm screws.

2x60mm screws.



DO NOT ALLOW YOUR CHILD TO PLAY WITH ANY COMPONENT PARTS PRIOR TO ASSEMBLY.

Step 7

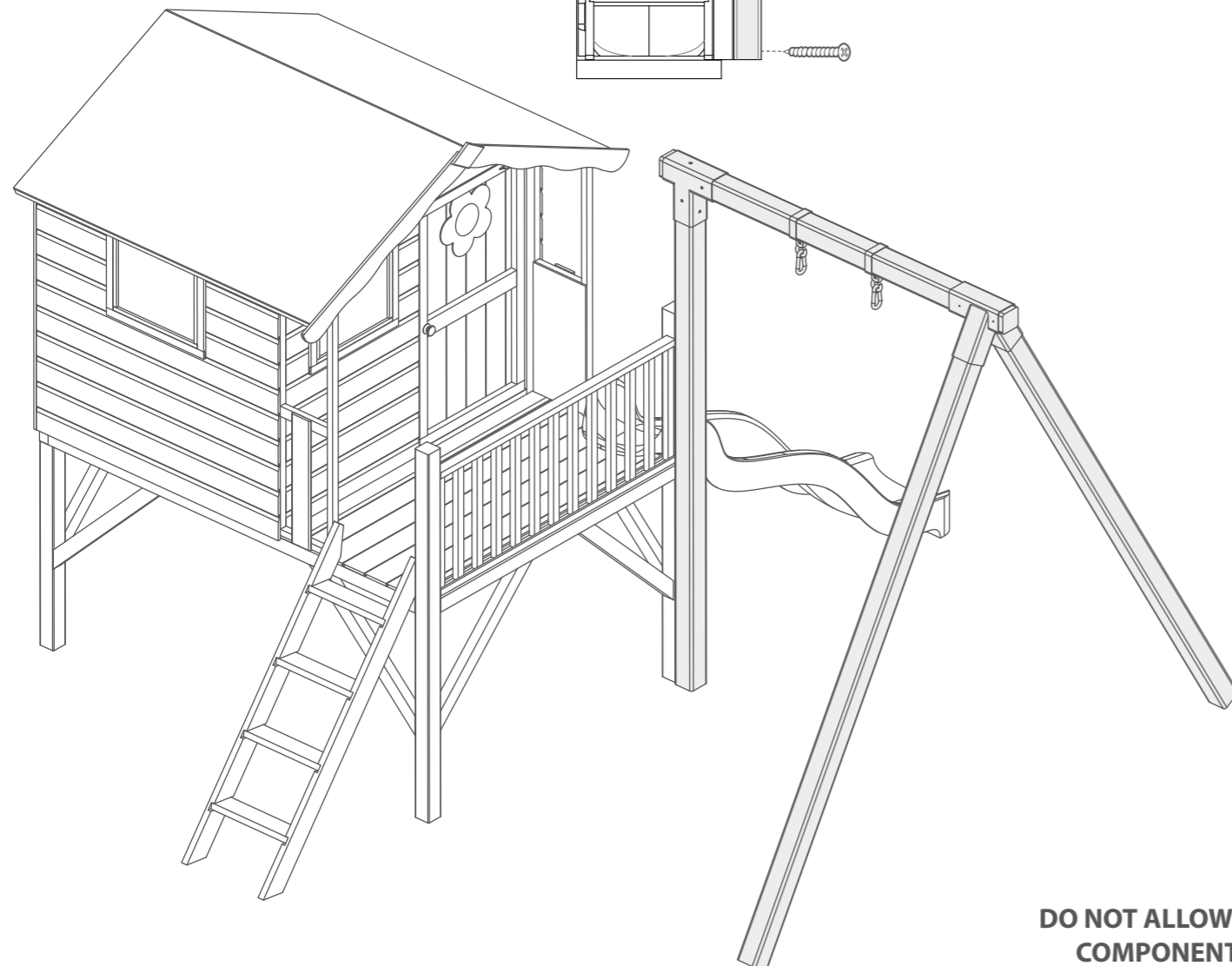
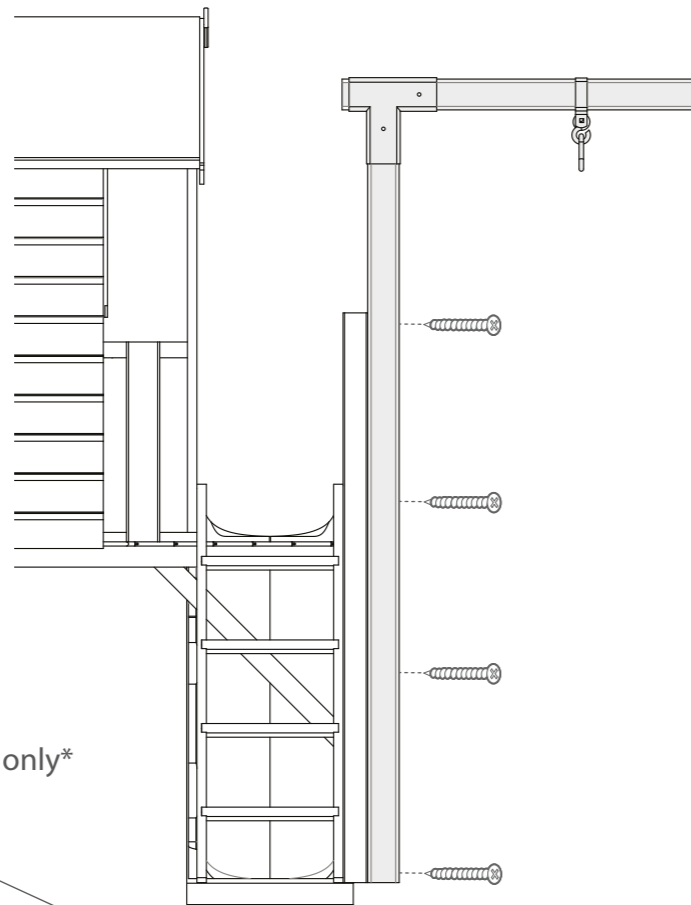
Secure the Upright of the swing arm to the playhouse using 4x150mm screws.

We advise that the top screw is fixed as close to the top of the frame on the playhouse you are attaching the swing arm to. Do the same with the bottom screw, keeping it as close to the bottom end of the frame as possible. Ensure the middle two screws are equally spaced.

4x150mm screws.



Playhouse used for illustration purposes only



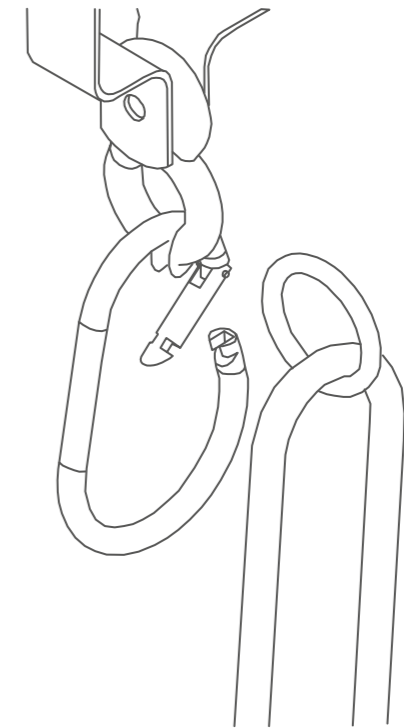
Step 8

Parts needed - 8

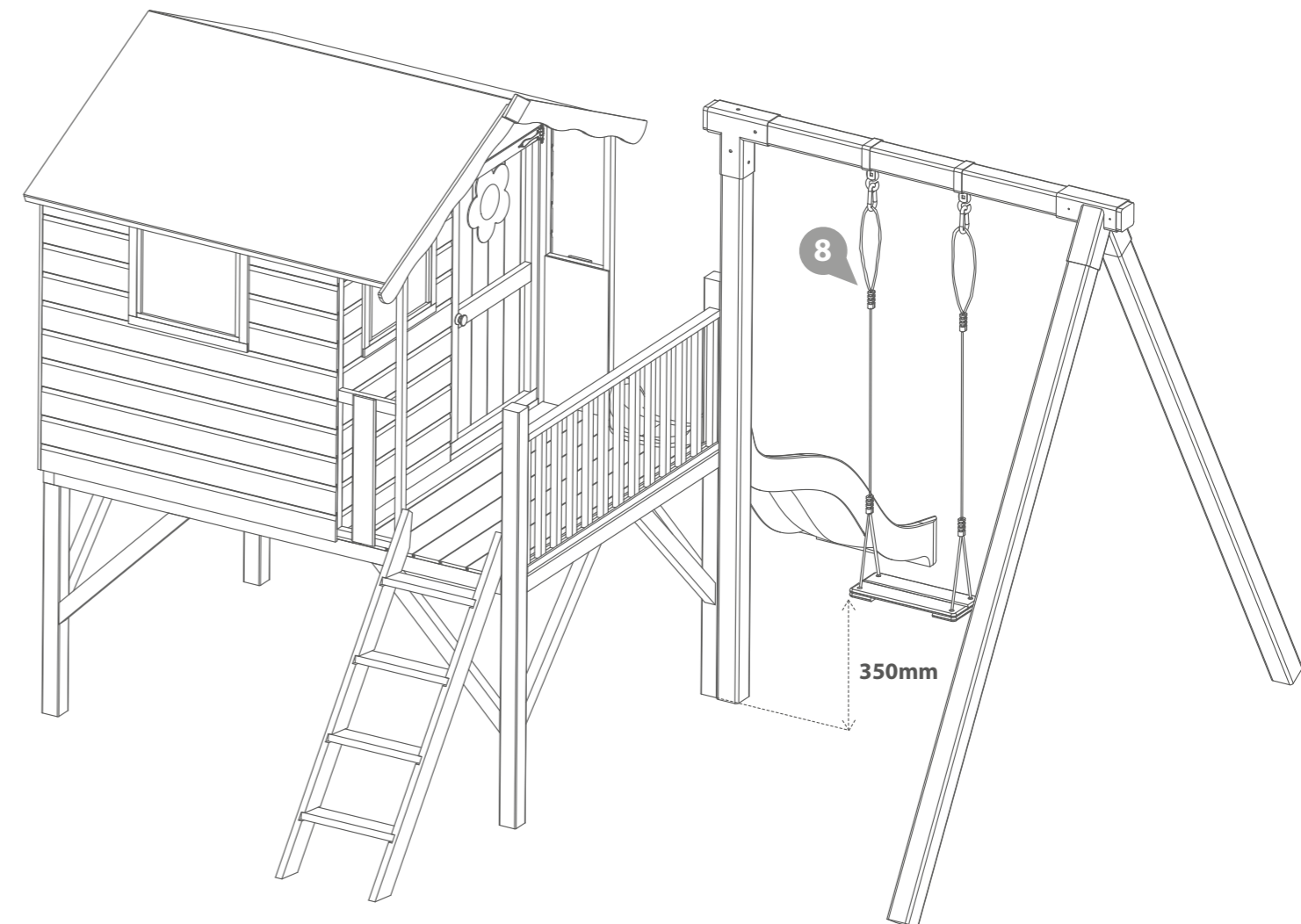
To attach the Swing Seat to the Swing Arm, push the ring at the uppermost part of the swing rope through the hook as shown. Repeat this for both clips.

Ensure that both catches are closed prior to use.

The swing seat must be adjusted so that it is at least 350mm from the ground.



Playhouse used for illustration purposes only



DO NOT ALLOW YOUR CHILD TO PLAY WITH ANY COMPONENT PARTS PRIOR TO ASSEMBLY.

Step 9
Parts needed - 6 x2

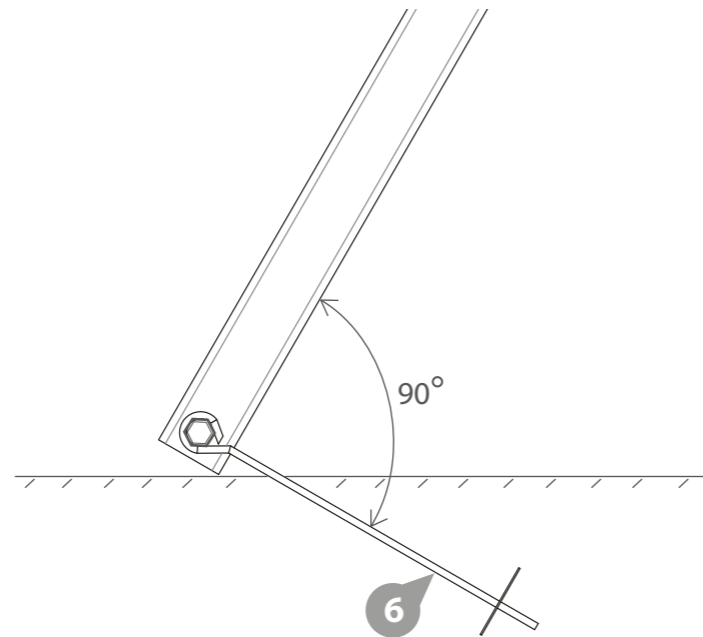
When staking down the swing arm ensure that it is positioned correctly (see safe play advice). The Ground Stake (No. 6) should be approximately 90 degrees to the leg as shown. Attach 1 stake per leg with 1x70mm screw each.

Insert the Ground Stake x2 into the ground using the side of the leg as a guide.

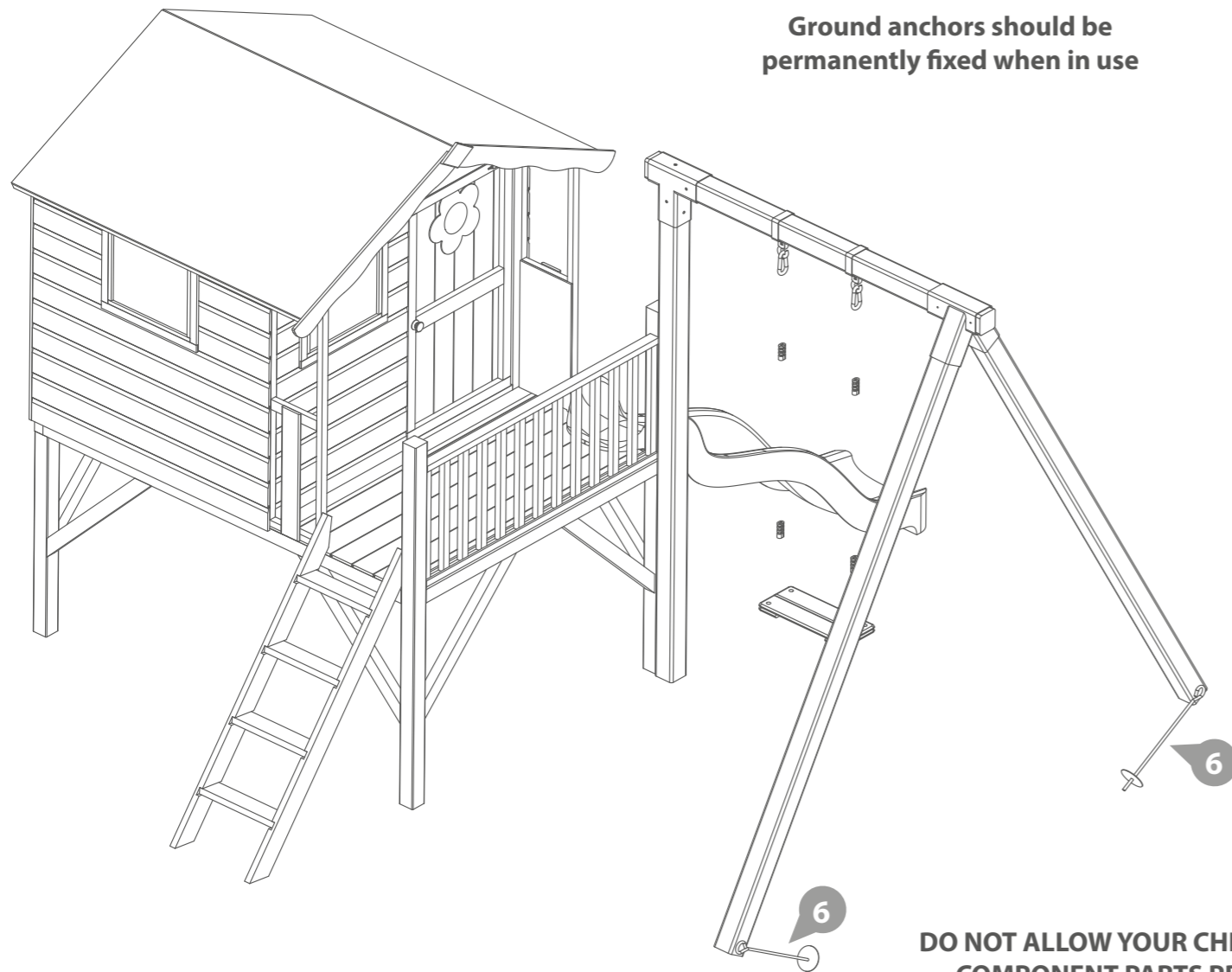
Make sure the Ground Stakes are as far into the ground as possible to prevent tipping.

2x70mm screws.

Playhouse used for illustration purposes only



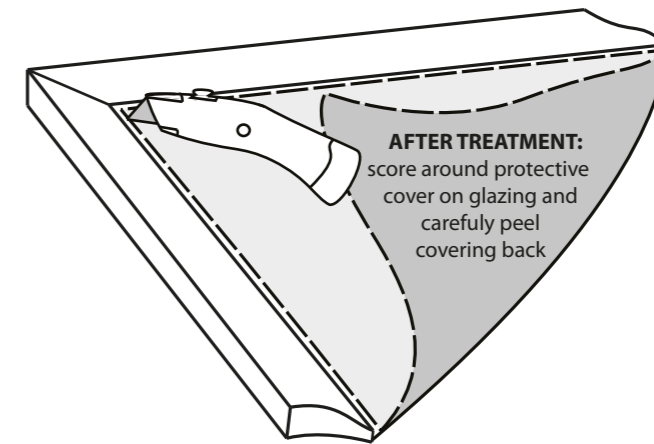
Ground anchors should be permanently fixed when in use



DO NOT ALLOW YOUR CHILD TO PLAY WITH ANY COMPONENT PARTS PRIOR TO ASSEMBLY.



It is ESSENTIAL that you apply wood treatment immediately after the building has been assembled.



AFTER TREATMENT:
 score around protective cover on glazing and carefully peel covering back

Playhouse Maintenance:

It is recommended that the following checks and maintenance are carried out at the beginning of each season as well as at regular intervals during the usage season.

- Check all nuts /bolts/ screws for tightness and tighten when required.
- Check for movement / opening of wood giving rise to protrusion of nail heads and tips.
- Check hinges.
- Replace defective parts in accordance with the manufacturers instructions.
- Check any crossbeams, suspensions and anchors.
- If a swing is included; check the swing seat, chains and ropes.

IF THESE CHECKS ARE NOT CARRIED OUT THE ACTIVITY TOY COULD BECOME A HAZARD