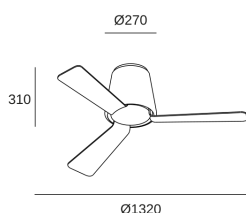


**Garbí**

Jordi Blasi

30-5378-14-F9

Ventilador IP44 Garbí LED 12.8W Blanco cálido - 3000K ON-OFF Blanco Transparente 608lm

**CARACTERÍSTICAS TÉCNICAS**

Potencia total luminaria : 15W

Lúmenes reales : 608

Lúmenes nominales : 1900

Lm / W reales : 41

Temperatura de color correlacionada (CCT) : Blanco cálido - 3000K

Ángulo Ópticas / Reflector : HORIZONTAL 115°

Material de la estructura : Acero

Acabado estructura : Blanco

Material del difusor : Cristal

Acabado difusor : Opal

Voltaje / Frecuencia : 110-240V/50-60Hz

Protocolo de regulación : ON-OFF

Power Factor : 0.90

Vida útil : 36.000h L70B30

Garantía : 5 Años

CARACTERÍSTICAS LUMINOTÉCNICAS

CRI: 80

MacAdam steps: 3

Riesgo fotobiológico: RGO

Portalámparas	Cantidad	Potencia fuente de luz (W)
LED	1	12.8W

**CARACTERÍSTICAS VENTILACIÓN**

Material de las palas: Acrílico

Acabado palas: Transparente

Sonoridad máxima (dB): 46

Sonoridad mínima (dB): 37

Airflow: 6173

Caudal máximo: 174.80

Potencia utilizada: 15W

Valor servicio: 11.65

Consumo modo espera: 0.5

Nivel potencia acústica: 46

Velocidad máxima aire (m/s): 15274.42

Norma medición valor servicio: EN 60879:2019

	1	2	3	4	5
110	138	165	193	221	
W	4,1	5,8	11,2	18,5	30

CARACTERÍSTICAS MÓDULO DE EMERGENCIA

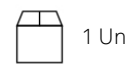
Tipo de batería: PILA

LOGÍSTICA

Peso neto (Kg): 8.64

Peso embalado (Kg): 10.21

Embalaje: 685mm x 320mm x 355mm



APLICACIÓN DE LA LUMINARIA



Luminaire

Code 30-5378-14-F9
Name Colgante ventilador leds 12.8W

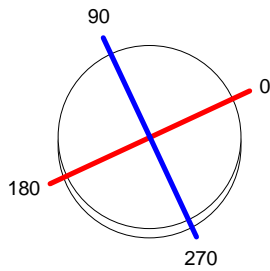
Measurment.

Code 30-5378-14-F9
Name Colgante ventilador leds 12.8W

Luminaire Flux	608.19 lm	Luminaire Power	13.00 W	Efficacy	46.78 lm/W	Efficiency	100.00%
Lamps Flux	608.20 lm	Maximum value	195.61 cd	Position	C=0.00 G=0.00	CG	Double Symmetrical
Round Luminaire Round Luminous Area	Diam. 280 mm Diam. 210 mm	Height	260 mm	Height	0 mm		
Horizontal Luminous Area Emitting area on Plane 0° Emitting area on Plane 90°	0.034636 m2 0.000000 m2 0.000000 m2	Emitting area on Plane 180° Emitting area on Plane 270° Glare area at 76°			0.000000 m2 0.000000 m2 0.008379 m2		
Coordinate system Date Measurement Distance	CG 09-06-2016 6.44	Symmetry Type Maximum Gamma Angle Measurement Flux			Double Symmetrical 180 608.20 lm		
Operator Temperature Humidity Notes	Asselum T2 25.00 °C 55.00 %	Source voltage Source current Photocell			230.00 V Prc		

Line	Code	Luminaire Lamps Name	Flux [lm]	Pow. [W]	Q.ty
- LEDS C4 LEDS	30-5378-14-F9	Lámpara leds 12.8W	608.20	13.00	1
C.I.E.	45 76 94 96 100	D DIN 5040	A31		
F UTE	0.96 E + 0.04 T	B NBN	BZ 5		

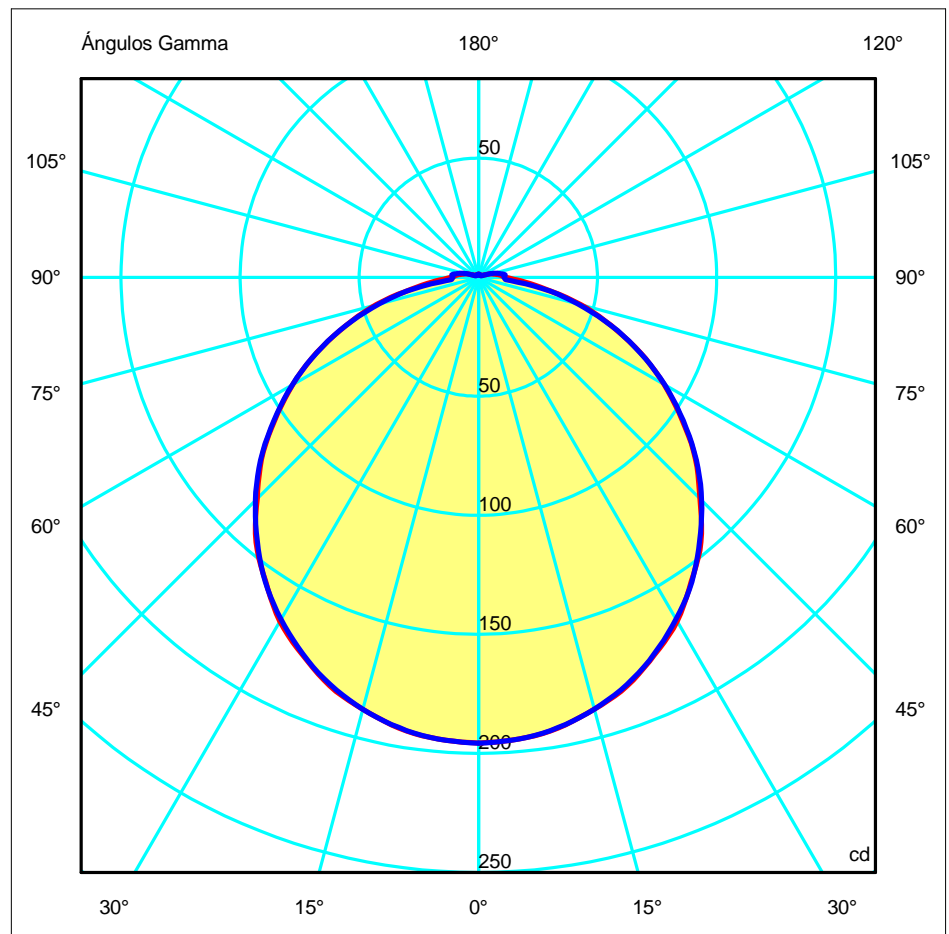
Diam=280mm



Semiplanos C

180.0 — 0.0
270.0 — 90.0

ULOR 3.89 %
DLOR 96.11 %
RN 3.89 %



Luminaire

Code 30-5378-14-F9
Name Colgante ventilador leds 12.8W

Measurment.

Code 30-5378-14-F9
Name Colgante ventilador leds 12.8W

Luminaire Flux	608.19 lm	Luminaire Power	13.00 W	Efficacy	46.78 lm/W	Efficiency	100.00%
Lamps Flux	608.20 lm	Maximum value	195.61 cd	Position	C=0.00 G=0.00	CG	Double Symmetrical

Luminous Intensity Table cd Table 1/1

	C 0.00	C 15.00	C 30.00	C 45.00	C 60.00	C 75.00	C 90.00
G 0.0	195.61	195.61	195.61	195.61	195.61	195.61	195.61
G 5.0	194.65	194.64	194.64	194.68	194.74	194.73	194.63
G 10.0	192.22	192.01	192.05	192.00	192.36	192.00	192.03
G 15.0	187.74	188.18	187.73	187.90	187.80	187.92	187.72
G 20.0	182.61	182.08	182.03	182.28	182.53	181.91	182.03
G 25.0	174.87	175.48	174.74	175.10	174.80	174.99	174.51
G 30.0	166.79	166.09	166.19	166.45	166.72	165.97	165.82
G 35.0	155.83	156.73	155.72	156.15	155.69	156.36	156.07
G 40.0	145.28	144.31	145.12	144.54	145.08	144.42	144.45
G 45.0	131.39	132.63	132.37	132.21	131.26	132.46	132.45
G 50.0	118.90	117.70	119.17	118.57	118.92	118.41	119.37
G 55.0	104.31	104.86	105.00	105.06	103.48	104.77	104.88
G 60.0	89.95	89.12	90.06	90.22	89.98	89.43	90.21
G 65.0	74.96	74.93	74.80	74.80	74.45	74.67	74.86
G 70.0	59.24	59.49	58.87	59.35	59.38	59.40	59.32
G 75.0	44.47	43.32	42.35	43.33	44.73	42.76	43.20
G 80.0	28.73	28.71	25.67	27.57	28.33	27.64	27.28
G 85.0	18.04	15.81	15.09	15.99	18.14	16.72	11.44
G 90.0	11.36	11.43	13.35	11.19	11.58	11.38	10.65
G 95.0	9.55	9.66	11.30	9.73	9.79	10.16	11.32
G100.0	7.27	8.06	8.75	8.23	7.44	8.23	9.12
G105.0	5.54	5.85	6.26	6.14	5.74	6.06	6.56
G110.0	3.61	3.94	4.05	3.97	3.73	3.95	3.56
G115.0	2.15	2.14	2.17	2.23	2.19	2.11	1.72
G120.0	1.50	1.52	1.44	1.54	1.52	1.46	1.32
G125.0	1.35	1.35	1.29	1.36	1.38	1.33	1.24
G130.0	1.24	1.21	1.22	1.25	1.26	1.23	1.18
G135.0	1.15	1.16	1.16	1.19	1.19	1.16	1.15
G140.0	1.14	1.15	1.17	1.16	1.18	1.16	1.15
G145.0	1.15	1.14	1.17	1.17	1.18	1.15	1.15
G150.0	1.17	1.16	1.17	1.19	1.20	1.18	1.20
G155.0	1.22	1.20	1.20	1.22	1.23	1.21	1.22
G160.0	1.26	1.23	1.24	1.24	1.24	1.25	1.26
G165.0	1.28	1.25	1.26	1.25	1.27	1.25	1.26
G170.0	1.28	1.27	1.30	1.28	1.29	1.29	1.29
G175.0	1.31	1.30	1.32	1.30	1.32	1.31	1.32
G180.0	1.33	1.32	1.33	1.32	1.32	1.33	1.33

Luminaire

Code 30-5378-14-F9
 Name Colgante ventilador leds 12.8W

Measurment.

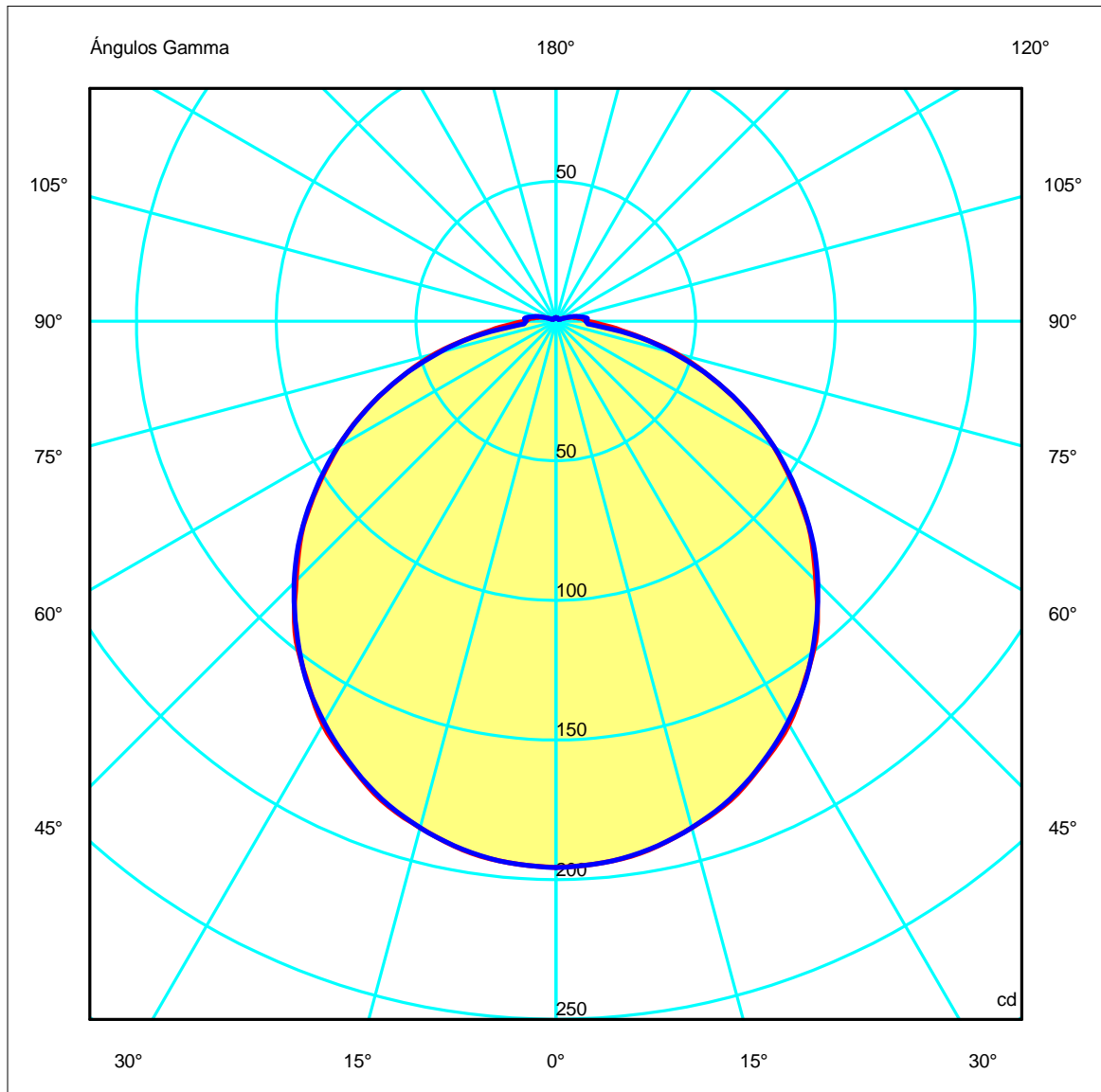
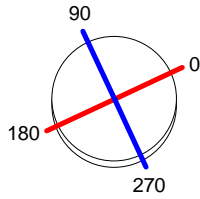
Code 30-5378-14-F9
 Name Colgante ventilador leds 12.8W

Luminaire Flux	608.19 lm	Luminaire Power	13.00 W	Efficacy	46.78 lm/W	Efficiency	100.00%
Lamps Flux	608.20 lm	Maximum value	195.61 cd	Position	C=0.00 G=0.00	CG	Double Symmetrical

Diam=280mm

Semiplanos C

180.0  0.0
 270.0  90.0



Luminaire

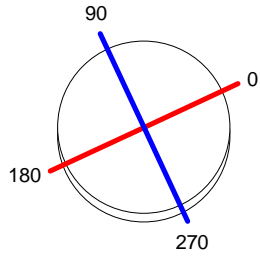
Code 30-5378-14-F9
 Name Colgante ventilador leds 12.8W

Measur.

Code 30-5378-14-F9
 Name Colgante ventilador leds 12.8W

Luminaire Flux	608.19 lm	Luminaire Power	13.00 W	Efficacy	46.78 lm/W	Efficiency	100.00%
Lamps Flux	608.20 lm	Maximum value	195.61 cd	Position	C=0.00 G=0.00	CG	Double Symmetrical

Diam=280mm



Semiplanos C

180.0 ———— 0.0
 270.0 ———— 90.0



Luminaire

Code 30-5378-14-F9
Name Colgante ventilador leds 12.8W

Measurment

Code 30-5378-14-F9
Name Colgante ventilador leds 12.8W

Luminaire Flux	608.19 lm	Luminaire Power	13.00 W	Efficacy	46.78 lm/W	Efficiency	100.00%
Lamps Flux	608.20 lm	Maximum value	195.61 cd	Position	C=0.00 G=0.00	CG	Double Symmetrical

Flujo Total=608.20 Flujo Luminaria=608.19

RI	0.60	0.80	1.00	1.25	1.50	2.00	2.50	3.00	4.00	5.00	10.00	20.00
DRR	0.29	0.38	0.45	0.52	0.57	0.66	0.72	0.76	0.81	0.84	0.92	0.96
RC	5	5	5	5	5	5	5	5	5	5	6	6

Flujo Zonal por 1000 Lúmenes

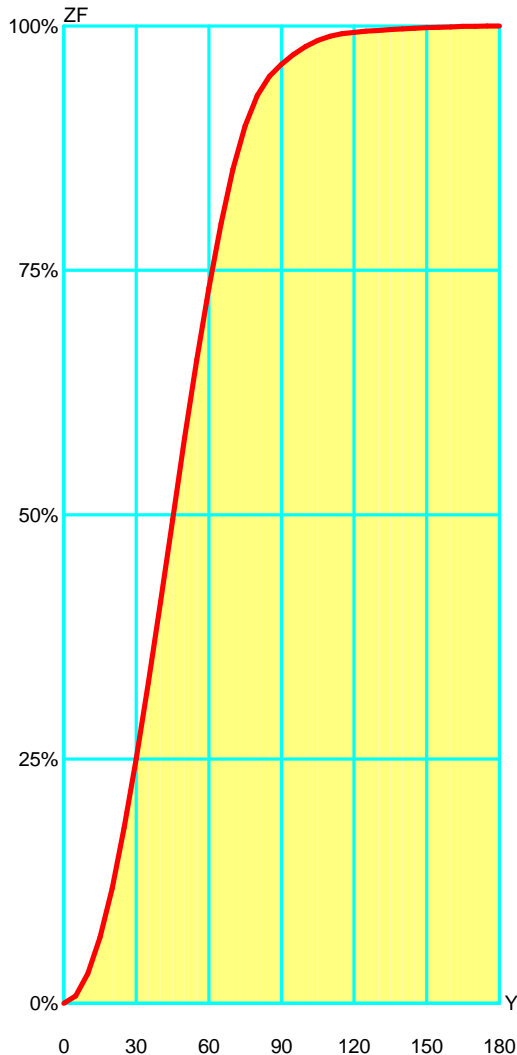
Y°	10	20	30	40	50	60	70	80	90	100	110	120	130	140	150	160	170	180
ZF(Y)	30	118	250	411	578	732	854	929	961	979	990	994	996	997	998	999	1000	1000

Códigos de Flujo C.I.E.

45 76 94 96 100

C.I.E. 5/5/5/5/5/5/5/5/6/6
D DIN 5040 A31
F UTE 0.96 E + 0.04 T
B NBN BZ 5
RN 3.88528 %
BLF 1.0

LOR 99.99852 %
ULOR 3.88522 %
DLOR 96.11330 %
UFF 3.88528 %
DFF 96.11472 %
FFR 4.04233 %



Gamma °	Flujo Zonal			
	Flujo	Suma lm	Flujo [%]	Suma [%]
0°	0.00	0.00	0.00%	0.00 %
5°	7.67	7.67	0.77 %	0.77 %
10°	22.75	30.42	2.27 %	3.04 %
15°	37.06	67.48	3.71 %	6.75 %
20°	50.15	117.63	5.01 %	11.76 %
25°	61.59	179.22	6.16 %	17.92 %
30°	71.01	250.22	7.10 %	25.02 %
35°	78.06	328.28	7.81 %	32.83 %
40°	82.52	410.80	8.25 %	41.08 %
45°	84.29	495.09	8.43 %	49.51 %
50°	83.32	578.41	8.33 %	57.84 %
55°	79.82	658.23	7.98 %	65.82 %
60°	73.90	732.13	7.39 %	73.21 %
65°	65.78	797.91	6.58 %	79.79 %
70°	55.81	853.72	5.58 %	85.37 %
75°	44.13	897.85	4.41 %	89.79 %
80°	31.25	929.10	3.13 %	92.91 %
85°	19.54	948.65	1.95 %	94.87 %
90°	12.49	961.13	1.25 %	96.11 %
95°	9.83	970.96	0.98 %	97.10 %
100°	8.19	979.15	0.82 %	97.92 %
105°	6.23	985.38	0.62 %	98.54 %
110°	4.25	989.63	0.42 %	98.96 %
115°	2.50	992.13	0.25 %	99.21 %
120°	1.44	993.57	0.14 %	99.36 %
125°	1.07	994.65	0.11 %	99.47 %
130°	0.92	995.56	0.09 %	99.56 %
135°	0.80	996.36	0.08 %	99.64 %
140°	0.71	997.07	0.07 %	99.71 %
145°	0.64	997.70	0.06 %	99.77 %
150°	0.57	998.27	0.06 %	99.83 %
155°	0.50	998.77	0.05 %	99.88 %
160°	0.42	999.19	0.04 %	99.92 %
165°	0.34	999.53	0.03 %	99.95 %
170°	0.25	999.78	0.02 %	99.98 %
175°	0.15	999.93	0.02 %	99.99 %
180°	0.05	999.99	0.01 %	100.00 %

Luminaire

Code 30-5378-14-F9
Name Colgante ventilador leds 12.8W

Measurement

Code 30-5378-14-F9
Name Colgante ventilador leds 12.8W

Luminaire Flux	608.19 lm	Luminaire Power	13.00 W	Efficacy	46.78 lm/W	Efficiency	100.00%
Lamps Flux	608.20 lm	Maximum value	195.61 cd	Position	C=0.00 G=0.00	CG	Double Symmetrical

UGR
S = 0.250

Reflectancies										
Ceiling/Cavity	0.7	0.7	0.5	0.5	0.3	0.7	0.7	0.5	0.5	0.3
Walls	0.5	0.3	0.5	0.3	0.3	0.5	0.3	0.5	0.3	0.3
WorkingPlane	0.2	0.2	0.2	0.2	0.2	0.2	0.2	0.2	0.2	0.2
RoomDimensions	ViewedCrosswise					ViewedEndwise				
x=2H y=2H	18.0	19.3	18.3	19.6	19.9	18.0	19.3	18.3	19.6	19.9
x=2H y=3H	19.8	21.0	20.2	21.3	21.6	19.8	21.0	20.2	21.3	21.6
x=2H y=4H	20.6	21.7	21.0	22.0	22.4	20.5	21.6	20.9	22.0	22.4
x=2H y=6H	21.2	22.2	21.6	22.6	22.9	21.1	22.1	21.5	22.5	22.9
x=2H y=8H	21.4	22.4	21.9	22.8	23.1	21.3	22.3	21.7	22.7	23.1
x=2H y=12H	21.7	22.7	22.1	23.0	23.2	21.4	22.4	21.9	22.8	23.2
x=4H y=2H	18.8	19.9	19.2	20.3	20.6	18.8	19.9	19.2	20.3	20.6
x=4H y=3H	20.8	21.7	21.2	22.1	22.5	20.8	21.7	21.2	22.1	22.5
x=4H y=4H	21.7	22.5	22.1	22.9	23.4	21.7	22.5	22.1	22.9	23.4
x=4H y=6H	22.4	23.1	22.9	23.6	24.0	22.4	23.1	22.8	23.6	24.0
x=4H y=8H	22.7	23.4	23.2	23.9	24.3	22.6	23.3	23.1	23.8	24.3
x=4H y=12H	23.0	23.7	23.6	24.1	24.5	22.9	23.5	23.4	23.9	24.5
x=8H y=4H	22.0	22.7	22.5	23.2	23.7	22.0	22.7	22.5	23.2	23.7
x=8H y=6H	22.9	23.5	23.4	24.0	24.5	22.9	23.5	23.5	24.0	24.5
x=8H y=8H	23.3	23.8	23.9	24.3	24.9	23.3	23.8	23.9	24.3	24.9
x=8H y=12H	23.8	24.2	24.3	24.7	25.2	23.7	24.1	24.2	24.7	25.2
x=12H y=4H	22.1	22.7	22.6	23.2	23.7	22.1	22.7	22.6	23.2	23.7
x=12H y=6H	23.0	23.5	23.6	24.0	24.6	23.0	23.5	23.6	24.0	24.6
x=12H y=8H	23.5	23.9	24.0	24.4	25.0	23.5	23.9	24.0	24.5	25.0

Luminaire

Code 30-5378-14-F9
Name Colgante ventilador leds 12.8W

Measurerm.

Code 30-5378-14-F9
Name Colgante ventilador leds 12.8W

Luminaire Flux	608.19 lm	Luminaire Power	13.00 W	Efficacy	46.78 lm/W	Efficiency	100.00%
Lamps Flux	608.20 lm	Maximum value	195.61 cd	Position	C=0.00 G=0.00	CG	Double Symmetrical

Utilizations CIE

Mounting	Direct	Normalization										Normalised										Suspension Ratio/3										Standard CIE Settings																																																																																																																																																																																																																																																																																							
Ceiling																																																																																																																																																																																																																																																																																																																							
K	8873	8773	8871	8771	7773	7771	7753	7553	7751	7551	7731	7331	7711	7111	5551	5531	5331	5511	5111	3331	3311	1111	0000	0.60	245	220	200	181	209	173	136	115	112	96	72	54	43	29	90	58	51	35	28	49	29	25	15	0.80	282	258	215	198	246	189	166	146	128	112	84	67	51	37	105	70	63	43	36	60	37	33	17	1.00	306	285	219	205	271	196	191	170	137	123	93	76	58	45	115	79	72	50	43	69	44	39	19	1.25	328	308	218	207	293	198	216	196	143	131	100	85	66	53	123	87	81	58	51	77	52	47	22	1.50	343	325	215	206	310	198	235	217	147	136	106	92	73	60	128	94	88	65	58	84	59	53	23	2.00	362	347	206	199	331	192	265	248	150	141	114	102	84	72	134	103	98	76	69	94	70	64	26	2.50	374	362	198	193	345	187	286	271	150	143	119	109	92	81	136	109	104	85	78	100	78	73	28	3.00	382	372	192	188	355	182	302	288	150	145	123	114	98	88	138	113	109	91	85	105	85	80	29	4.00	393	385	183	180	369	176	325	313	151	146	128	121	107	99	140	119	116	101	96	112	95	90	31	5.00	401	394	178	176	377	172	340	330	150	147	131	125	113	106	141	124	121	107	103	117	102	97	32	10.00	416	412	165	164	396	161	374	368	149	147	138	135	127	123	143	132	131	122	120	127	118	114	35	20.00	423	421	156	156	405	154	393	390	147	147	141	140	136	133	143	137	136	132	130	133	128	124	37
Wall																																																																																																																																																																																																																																																																																																																							
K	8873	8773	8871	8771	7773	7771	7753	7553	7751	7551	7731	7331	7711	7111	5551	5531	5331	5511	5111	3331	3311	1111	0000	0.60	467	454	410	401	446	395	352	342	319	312	267	261	230	226	308	262	259	227	225	258	225	224	204	0.80	528	514	452	442	504	435	410	399	363	355	312	304	273	267	350	304	301	269	266	299	266	263	240	1.00	570	556	476	467	543	459	453	441	392	385	342	334	304	297	377	334	330	299	296	327	295	292	266	1.25	607	594	494	487	578	478	494	481	418	410	371	362	333	326	402	361	357	327	324	353	323	319	289	1.50	635	622	507	500	604	491	525	512	436	429	392	384	356	349	419	381	378	349	345	373	344	339	307	2.00	665	654	514	509	633	499	563	551	453	448	415	408	383	376	436	403	400	375	371	393	368	362	326	2.50	683	674	516	512	651	503	589	578	464	459	430	423	402	394	446	418	415	392	388	407	384	377	339	3.00	695	687	516	513	662	503	607	597	469	465	440	433	414	407	452	426	424	404	400	415	395	387	346	4.00	717	710	522	519	683	510	637	628	482	479	458	452	436	429	465	444	441	424	421	431	414	405	362	5.00	733	727	528	526	698	516	659	651	493	490	472	467	452	447	476	457	455	440	437	444	429	419	374	10.00	771	767	543	542	736	533	713	707	519	518	507	504	495	491	502	491	490	481	478	477	467	455	405	20.00	789	787	548	548	754	539	741	738	532	531	524	523	517	515	514	508	507	502	501	493	488	474	421
Working Pl.																																																																																																																																																																																																																																																																																																																							
K	8873	8773	8871	8771	7773	7771	7753	7553	7751	7551	7731	7331	7711	7111	5551	5531	5331	5511	5111	3331	3311	1111	0000	0.60	575	561	536	525	552	518	436	427	420	413	354	347	306	301	408	347	345	302	300	343	300	298	281	0.80	681	665	627	616	652	606	535	523	511	502	442	433	391	384	494	433	429	386	383	426	382	379	361	1.00	765	748	697	686	731	674	618	604	584	575	517	506	464	457	564	505	501	458	454	496	452	448	430	1.25	844	827	760	750	806	737	698	683	654	644	589	578	538	529	631	575	571	529	524	564	522	517	498	1.50	903	887	806	797	862	783	760	745	706	697	645	634	596	586	682	629	625	585	580	616	577	570	551	2.00	989	975	871	864	944	849	856	840	784	776	731	720	686	675	757	712	707	673	667	696	662	652	635	2.50	1000	1000	912	906	998	890	920	905	835	828	788	777	747	736	807	767	763	732	726	749	718	707	690	3.00	1000	1000	940	935	1000	918	967	952	870	864	829	819	792	781	841	806	802	775	769	787	760	747	730	4.00	1000	1000	973	969	1000	953	1000	1000	914	909	880	872	849	839	885	856	852	829	824	834	812	796	780	5.00	1000	1000	993	990	1000	974	1000	1000	941	937	912	905	885	876	911	886	884	864	859	864	844	827	812	10.00	1000	1000	1000	1000	1000	1000	1000	1000	999	996	982	977	966	960	968	954	952	940	937	928	917	895	880	20.00	1000	1000	1000	1000	1000	1000	1000	1000	1000	1000	1000	1000	1000	1000	999	992	991	984	982	964	958	933	919

LM53 SHR C0-C180: 1.262 SHR C90-C270: 1.250 SHR Square: 1.389

Luminaire

 Code 30-5378-14-F9
 Name Colgante ventilador leds 12.8W

Measurment.

 Code 30-5378-14-F9
 Name Colgante ventilador leds 12.8W

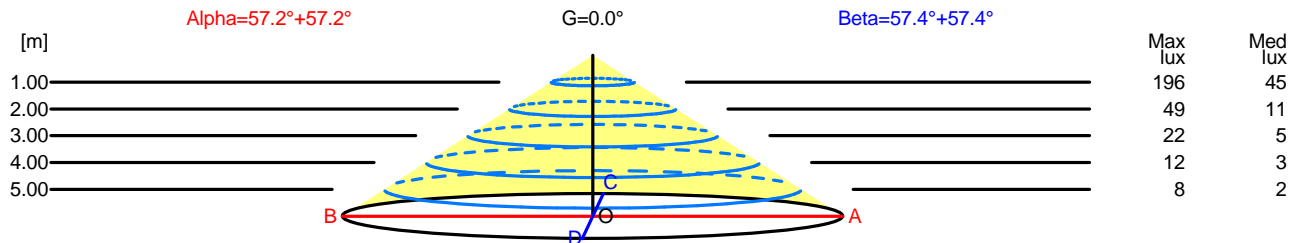
Luminaire Flux	608.19 lm	Luminaire Power	13.00 W	Efficacy	46.78 lm/W	Efficiency	100.00%
Lamps Flux	608.20 lm	Maximum value	195.61 cd	Position	C=0.00 G=0.00	CG	Double Symmetrical

Width at 50.00 % of Max Intensity

H[m]	1.00	2.00	3.00	4.00	5.00	H[m]	1.00	2.00	3.00	4.00	5.00
OA	1.55	3.11	4.66	6.22	7.77	OC	1.57	3.13	4.70	6.26	7.83
OB	1.55	3.11	4.66	6.22	7.77	OD	1.57	3.13	4.70	6.26	7.83

Luminous Intensities [cd]

	0	5	15	25	35	45	55	65	75	85
OA	195.61	194.65	187.74	174.87	155.83	131.39	104.31	74.96	44.47	18.04
OB	195.61	194.65	187.74	174.87	155.83	131.39	104.31	74.96	44.47	18.04
OC	195.61	194.63	187.72	174.51	156.07	132.45	104.88	74.86	43.20	11.44
OD	195.61	194.63	187.72	174.51	156.07	132.45	104.88	74.86	43.20	11.44



H[m]	D[m]	Max lux	Med lux	Alpha=57.2°+57.2°	G=0.0
1.00	3.11	196	45		
2.00	6.22	49	11		
3.00	9.33	22	5		
4.00	12.44	12	3		
5.00	15.55	8	2		

H[m]	D[m]	Max lux	Med lux	Beta=57.4°+57.4°	G=0.0
1.00	3.13	196	45		
2.00	6.26	49	11		
3.00	9.39	22	5		
4.00	12.52	12	3		
5.00	15.65	8	2		

Luminaire

Code 30-5378-14-F9
 Name Colgante ventilador leds 12.8W

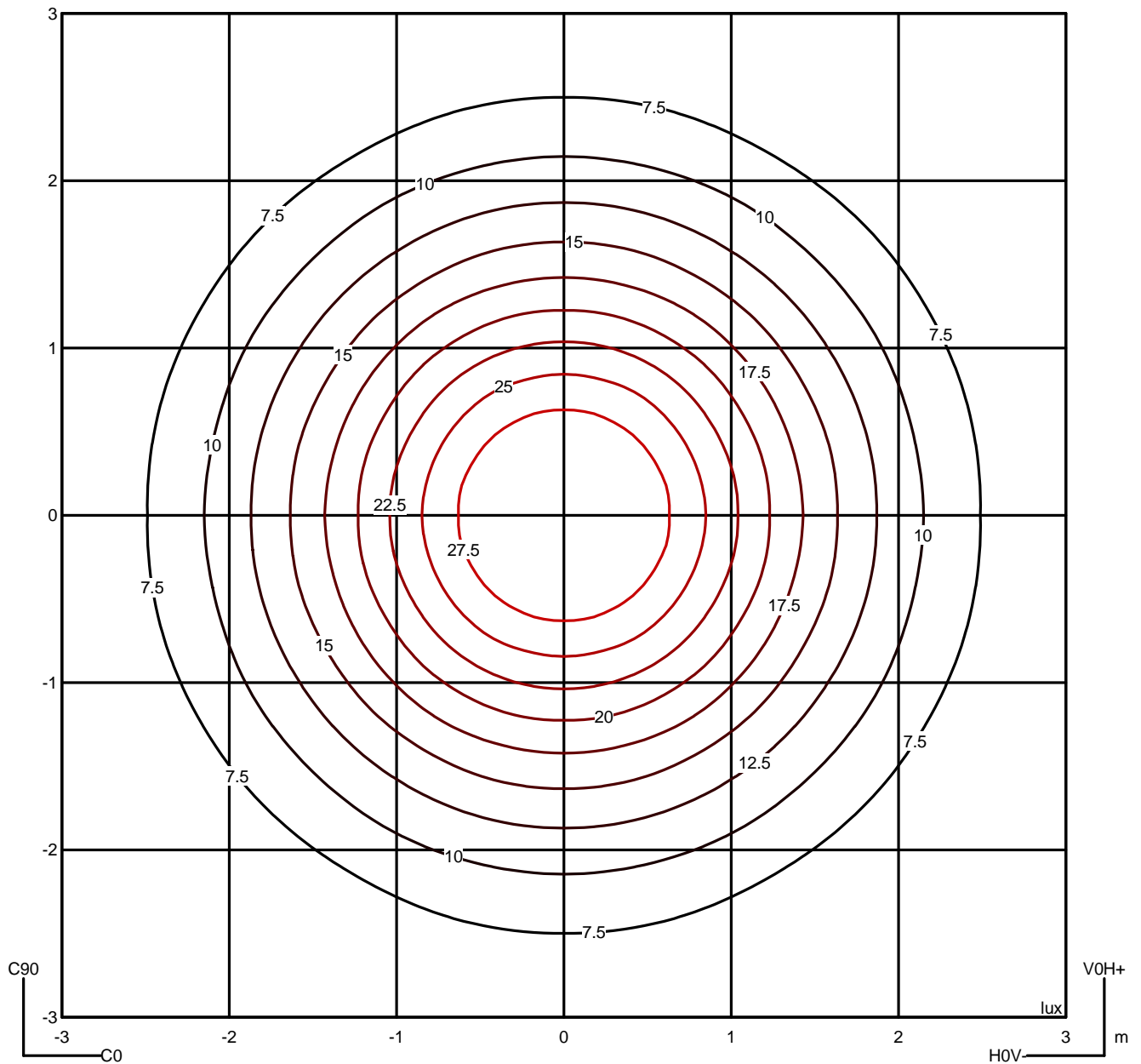
Measur.

Code 30-5378-14-F9
 Name Colgante ventilador leds 12.8W

Luminaire Flux	608.19 lm	Luminaire Power	13.00 W	Efficacy	46.78 lm/W	Efficiency	100.00%
Lamps Flux	608.20 lm	Maximum value	195.61 cd	Position	C=0.00 G=0.00	CG	Double Symmetrical

Isolux (Floor)

Luminaire position X=0.00m Y=0.00m Z=2.50m



Luminaire

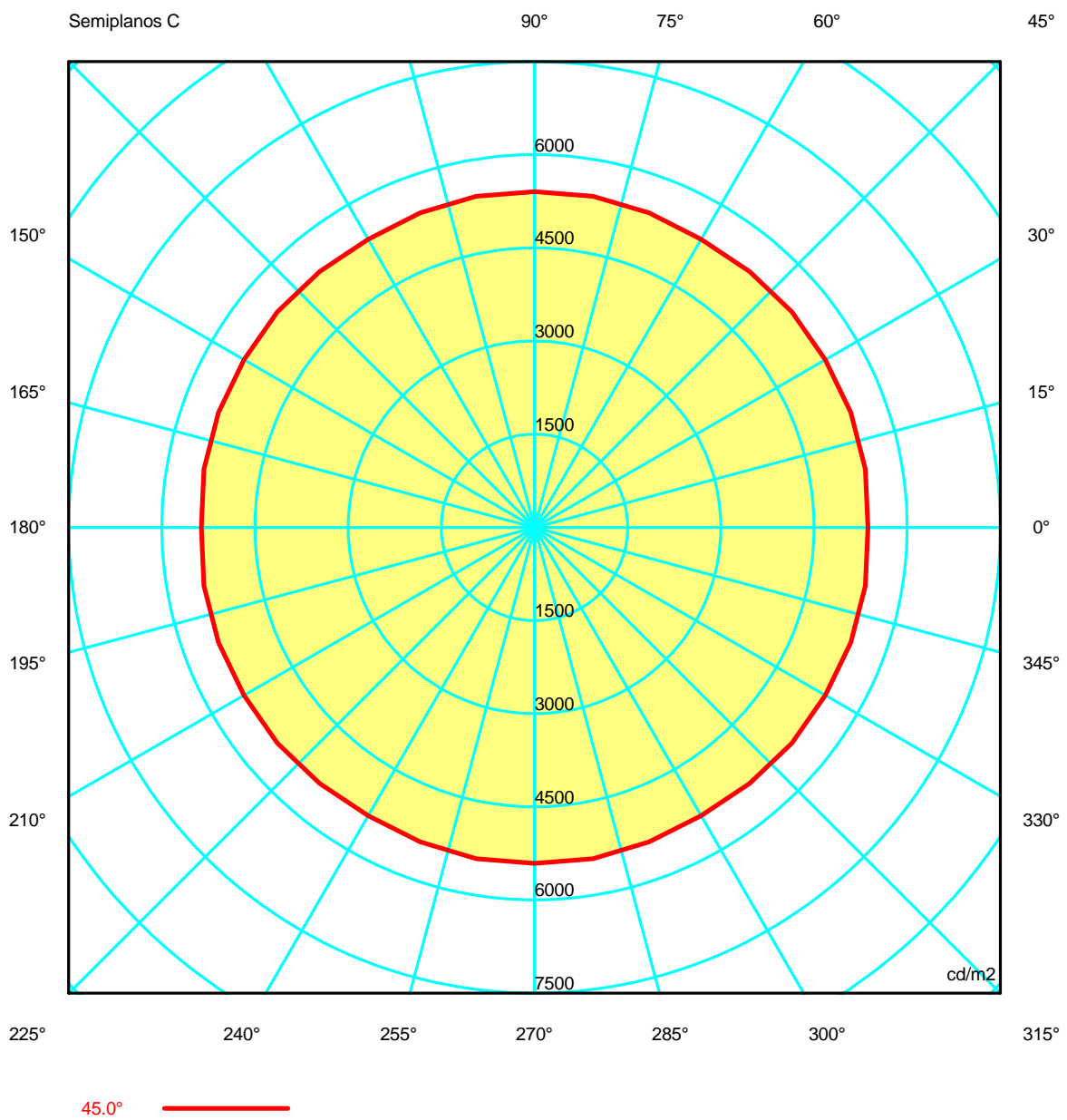
Code 30-5378-14-F9
 Name Colgante ventilador leds 12.8W

Measurem.

Code 30-5378-14-F9
 Name Colgante ventilador leds 12.8W

Luminaire Flux	608.19 lm	Luminaire Power	13.00 W	Efficacy	46.78 lm/W	Efficiency	100.00%
Lamps Flux	608.20 lm	Maximum value	195.61 cd	Position	C=0.00 G=0.00	CG	Double Symmetrical

Luminance



Luminaire

Code 30-5378-14-F9
Name Colgante ventilador leds 12.8W

Measurment

Code 30-5378-14-F9
Name Colgante ventilador leds 12.8W

Luminaire Flux	608.19 lm	Luminaire Power	13.00 W	Efficacy	46.78 lm/W	Efficiency	100.00%
Lamps Flux	608.20 lm	Maximum value	195.61 cd	Position	C=0.00 G=0.00	CG	Double Symmetrical

Luminance cd/m2 Table 1/3

	C 0.00	C 10.00	C 20.00	C 30.00	C 40.00	C 50.00	C 60.00	C 70.00	C 80.00	C 90.00	C 100.00	C 110.00	C 120.00
G 0.0	5647.55	5647.55	5647.55	5647.55	5647.55	5647.55	5647.55	5647.55	5647.55	5647.55	5647.55	5647.55	5647.55
G 5.0	5641.42	5641.10	5640.90	5641.02	5641.70	5642.88	5643.96	5644.08	5642.86	5640.69	5642.86	5644.08	5643.96
G 10.0	5635.30	5630.36	5629.47	5630.31	5629.44	5632.74	5639.46	5633.05	5627.53	5629.83	5627.53	5633.05	5639.46
G 15.0	5611.57	5623.55	5621.10	5611.35	5614.19	5616.17	5613.44	5615.88	5616.16	5611.01	5616.16	5615.88	5613.44
G 20.0	5610.64	5598.44	5592.29	5592.91	5596.94	5605.09	5608.31	5595.18	5587.23	5592.78	5587.23	5595.18	5608.31
G 25.0	5570.67	5589.05	5583.12	5566.50	5573.91	5576.47	5568.35	5572.71	5572.21	5559.12	5572.21	5572.71	5568.35
G 30.0	5560.32	5542.27	5535.96	5540.35	5545.34	5554.19	5557.98	5541.75	5531.42	5528.24	5531.42	5541.75	5557.98
G 35.0	5492.27	5521.78	5513.71	5488.40	5498.55	5499.82	5487.52	5502.68	5512.37	5500.91	5512.37	5502.68	5487.52
G 40.0	5475.59	5442.71	5447.80	5469.42	5454.10	5452.19	5467.84	5452.83	5439.22	5444.34	5439.22	5452.83	5467.84
G 45.0	5364.88	5405.03	5415.44	5404.89	5404.22	5382.72	5359.56	5390.28	5415.70	5407.84	5415.70	5390.28	5359.56
G 50.0	5340.38	5289.75	5305.72	5352.85	5336.88	5327.67	5341.39	5324.42	5324.78	5361.73	5324.78	5324.42	5341.39
G 55.0	5250.60	5271.75	5280.26	5285.08	5297.74	5259.88	5208.91	5247.07	5275.62	5279.24	5275.62	5247.07	5208.91
G 60.0	5194.27	5150.73	5158.41	5200.28	5211.84	5207.68	5195.82	5169.73	5171.10	5208.96	5171.10	5169.73	5195.82
G 65.0	5120.81	5119.37	5115.14	5109.74	5109.84	5102.02	5086.18	5093.66	5107.03	5114.45	5107.03	5093.66	5086.18
G 70.0	5000.83	5025.18	5004.43	4969.62	4993.38	5010.73	5012.40	5013.47	5007.55	5013.47	5013.47	5013.40	5012.40
G 75.0	4960.84	4877.88	4784.54	4724.06	4771.50	4911.87	4989.72	4844.12	4749.71	4818.67	4749.71	4844.12	4989.72
G 80.0	4777.10	4774.59	4594.28	4268.42	4434.83	4677.18	4710.79	4637.28	4567.39	4536.43	4567.39	4637.28	4710.79
G 85.0	5975.46	5444.12	5098.23	4999.28	5121.21	5559.00	6009.65	5868.08	5047.65	3789.86	5047.65	5868.08	6009.65
G 90.0	0.00	0.00	0.00	0.00	0.00	0.00	0.00	0.00	0.00	0.00	0.00	0.00	0.00

Luminaire

Code 30-5378-14-F9
Name Colgante ventilador leds 12.8W

Measurment

Code 30-5378-14-F9
Name Colgante ventilador leds 12.8W

Luminaire Flux	608.19 lm	Luminaire Power	13.00 W	Efficacy	46.78 lm/W	Efficiency	100.00%
Lamps Flux	608.20 lm	Maximum value	195.61 cd	Position	C=0.00 G=0.00	CG	Double Symmetrical

Luminance cd/m2 Table 2/3

	C 130.00	C 140.00	C 150.00	C 160.00	C 170.00	C 180.00	C 190.00	C 200.00	C 210.00	C 220.00	C 230.00	C 240.00	C 250.00
G 0.0	5647.55	5647.55	5647.55	5647.55	5647.55	5647.55	5647.55	5647.55	5647.55	5647.55	5647.55	5647.55	5647.55
G 5.0	5642.88	5641.70	5641.02	5640.90	5641.10	5641.42	5641.10	5640.90	5641.02	5641.70	5642.88	5643.96	5644.08
G 10.0	5632.74	5629.44	5630.31	5629.47	5630.36	5635.30	5630.36	5629.47	5630.31	5629.44	5632.74	5639.46	5633.05
G 15.0	5616.17	5614.19	5611.35	5621.10	5623.55	5611.57	5623.55	5621.10	5611.35	5614.19	5616.17	5613.44	5615.88
G 20.0	5605.09	5596.94	5592.91	5592.29	5598.44	5610.64	5598.44	5592.29	5592.91	5596.94	5605.09	5608.31	5595.18
G 25.0	5576.47	5573.91	5566.50	5583.12	5589.05	5570.67	5589.05	5583.12	5566.50	5573.91	5576.47	5568.35	5572.71
G 30.0	5554.19	5545.34	5540.35	5535.96	5542.27	5560.32	5542.27	5535.96	5540.35	5545.34	5554.19	5557.98	5541.75
G 35.0	5499.82	5498.55	5488.40	5513.71	5521.78	5492.27	5521.78	5513.71	5488.40	5498.55	5499.82	5487.52	5502.68
G 40.0	5452.19	5454.10	5469.42	5447.80	5442.71	5475.59	5442.71	5447.80	5469.42	5454.10	5452.19	5467.84	5452.83
G 45.0	5382.72	5404.22	5404.89	5415.44	5405.03	5364.88	5405.03	5415.44	5404.89	5404.22	5382.72	5359.56	5390.28
G 50.0	5327.67	5336.88	5352.85	5305.72	5289.75	5340.38	5289.75	5305.72	5352.85	5336.88	5327.67	5341.39	5324.42
G 55.0	5259.88	5297.74	5285.08	5280.26	5271.75	5250.60	5271.75	5280.26	5285.08	5297.74	5259.88	5208.91	5247.07
G 60.0	5207.68	5211.84	5200.28	5158.41	5150.73	5194.27	5150.73	5158.41	5200.28	5211.84	5207.68	5195.82	5169.73
G 65.0	5102.02	5109.84	5109.74	5115.14	5119.37	5120.81	5119.37	5115.14	5109.84	5109.74	5102.02	5086.18	5093.66
G 70.0	5010.73	4993.38	4969.62	5004.43	5025.18	5000.83	5025.18	5004.43	4969.62	4993.38	5010.73	5012.40	5013.40
G 75.0	4911.87	4771.50	4724.06	4784.54	4877.88	4960.84	4877.88	4784.54	4724.06	4771.50	4911.87	4989.72	4844.12
G 80.0	4677.18	4434.83	4268.42	4594.28	4774.59	4777.10	4774.59	4594.28	4268.42	4434.83	4677.18	4710.79	4637.28
G 85.0	5559.00	5121.21	4999.28	5098.23	5444.12	5975.46	5444.12	5098.23	4999.28	5121.21	5559.00	6009.65	5868.08
G 90.0	0.00	0.00	0.00	0.00	0.00	0.00	0.00	0.00	0.00	0.00	0.00	0.00	0.00

Luminaire

Code 30-5378-14-F9
Name Colgante ventilador leds 12.8W

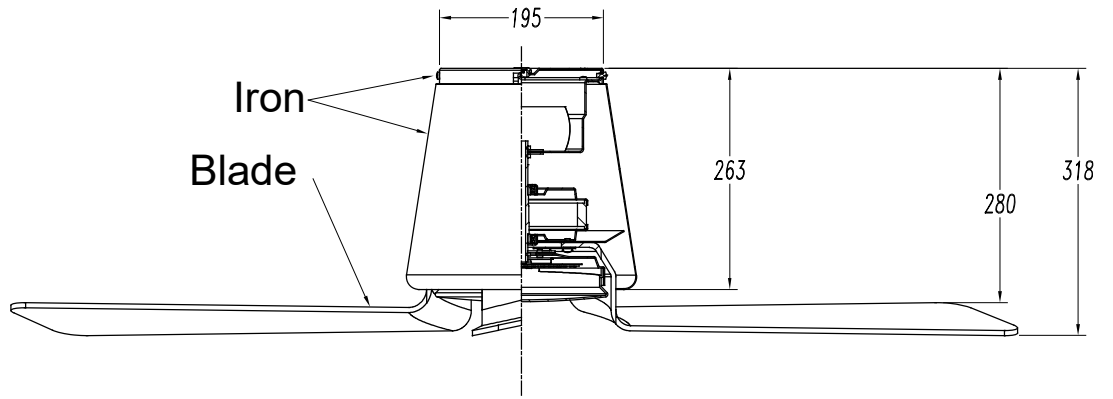
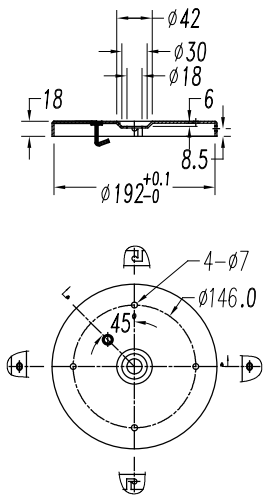
Measurment

Code 30-5378-14-F9
Name Colgante ventilador leds 12.8W

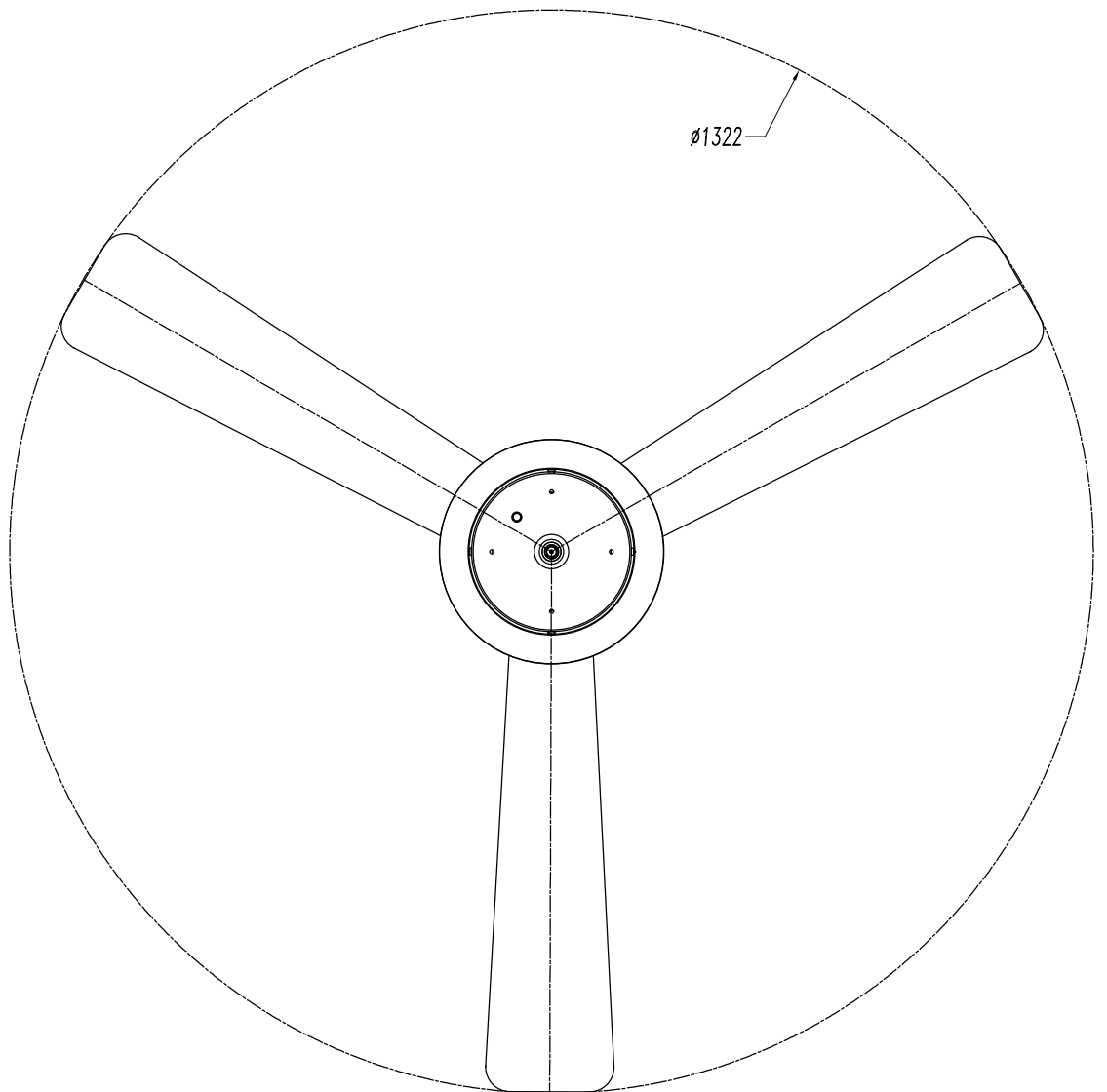
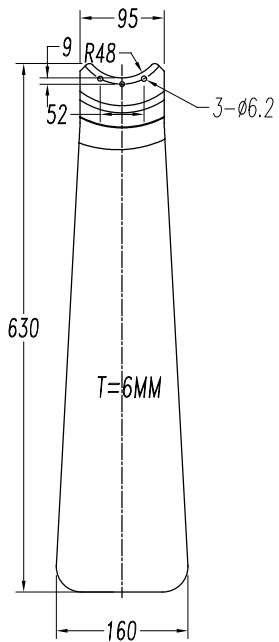
Luminaire Flux	608.19 lm	Luminaire Power	13.00 W	Efficacy	46.78 lm/W	Efficiency	100.00%
Lamps Flux	608.20 lm	Maximum value	195.61 cd	Position	C=0.00 G=0.00	CG	Double Symmetrical

Luminance cd/m2 Table 3/3

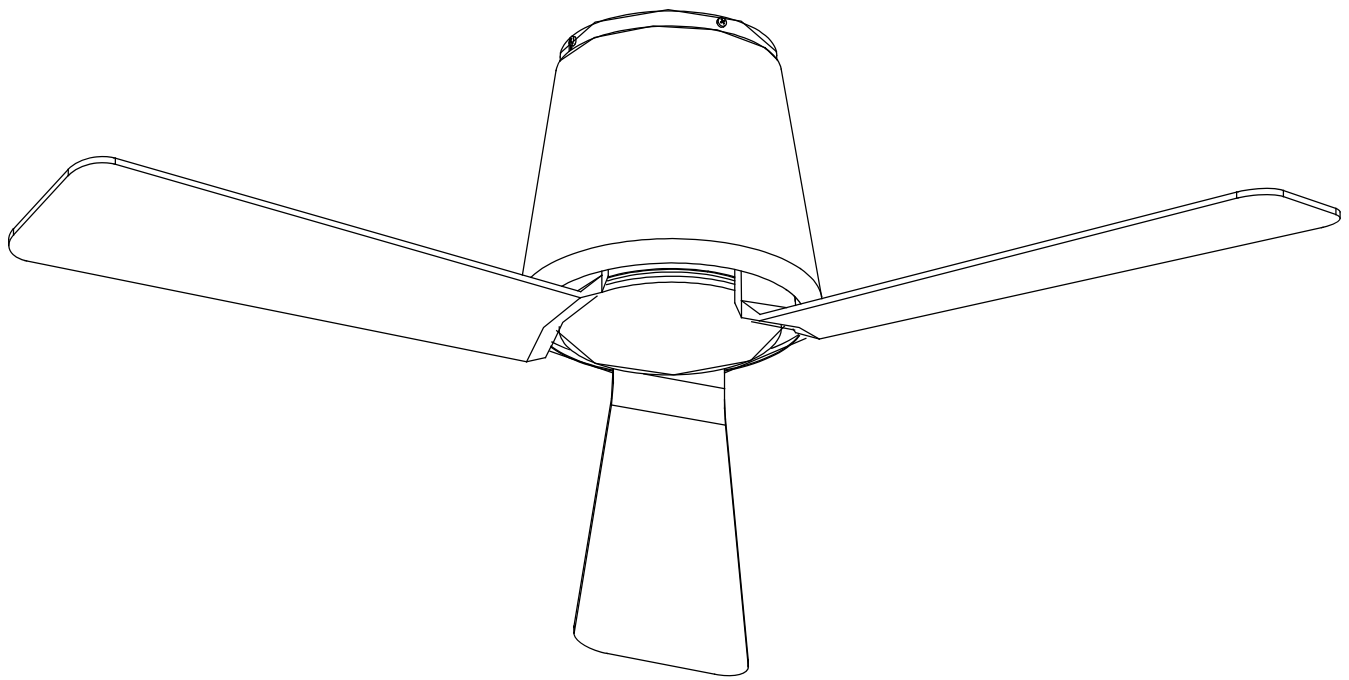
	C 260.00	C 270.00	C 280.00	C 290.00	C 300.00	C 310.00	C 320.00	C 330.00	C 340.00	C 350.00
G 0.0	5647.55	5647.55	5647.55	5647.55	5647.55	5647.55	5647.55	5647.55	5647.55	5647.55
G 5.0	5642.86	5640.69	5642.86	5644.08	5643.96	5642.88	5641.70	5641.02	5640.90	5641.10
G 10.0	5627.53	5629.83	5627.53	5633.05	5639.46	5632.74	5629.44	5630.31	5629.47	5630.36
G 15.0	5616.16	5611.01	5616.16	5615.88	5613.44	5616.17	5614.19	5611.35	5621.10	5623.55
G 20.0	5587.23	5592.78	5587.23	5595.18	5608.31	5605.09	5596.94	5592.91	5592.29	5598.44
G 25.0	5572.21	5559.12	5572.21	5572.71	5568.35	5576.47	5573.91	5566.50	5583.12	5589.05
G 30.0	5531.42	5528.24	5531.42	5541.75	5557.98	5554.19	5545.34	5540.35	5535.96	5542.27
G 35.0	5512.37	5500.91	5512.37	5502.68	5487.52	5499.82	5498.55	5488.40	5513.71	5521.78
G 40.0	5439.22	5444.34	5439.22	5452.83	5467.84	5452.19	5454.10	5469.42	5447.80	5442.71
G 45.0	5415.70	5407.84	5415.70	5390.28	5359.56	5382.72	5404.22	5404.89	5415.44	5405.03
G 50.0	5324.78	5361.73	5324.78	5324.42	5341.39	5327.67	5336.88	5352.85	5305.72	5289.75
G 55.0	5275.62	5279.24	5275.62	5247.07	5208.91	5259.88	5297.74	5285.08	5280.26	5271.75
G 60.0	5171.10	5208.96	5171.10	5169.73	5195.82	5207.68	5211.84	5200.28	5158.41	5150.73
G 65.0	5107.03	5114.45	5107.03	5093.66	5086.18	5102.02	5109.84	5109.74	5115.14	5119.37
G 70.0	5013.47	5007.55	5013.47	5013.40	5012.40	5010.73	4993.38	4969.62	5004.43	5025.18
G 75.0	4749.71	4818.67	4749.71	4844.12	4989.72	4911.87	4771.50	4724.06	4784.54	4877.88
G 80.0	4567.39	4536.43	4567.39	4637.28	4710.79	4677.18	4434.83	4268.42	4594.28	4774.59
G 85.0	5047.65	3789.86	5047.65	5868.08	6009.65	5559.00	5121.21	4999.28	5098.23	5444.12
G 90.0	0.00	0.00	0.00	0.00	0.00	0.00	0.00	0.00	0.00	0.00

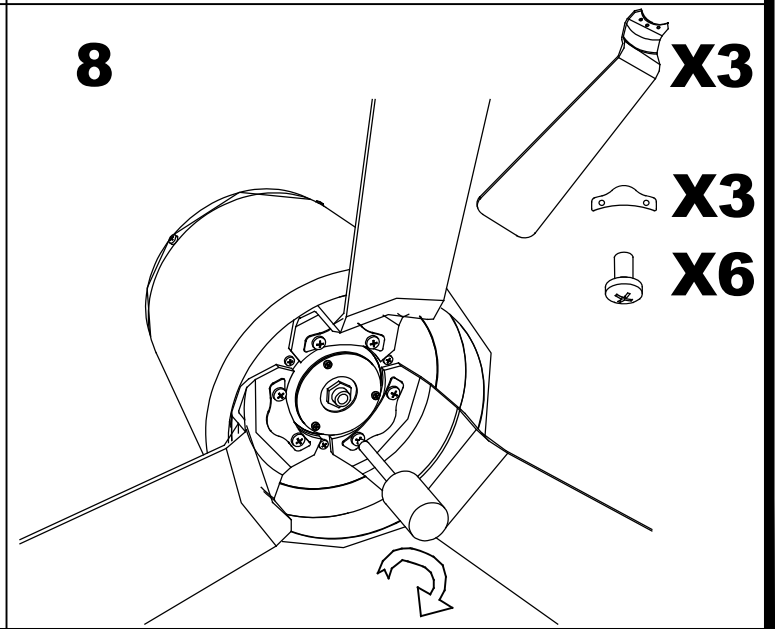
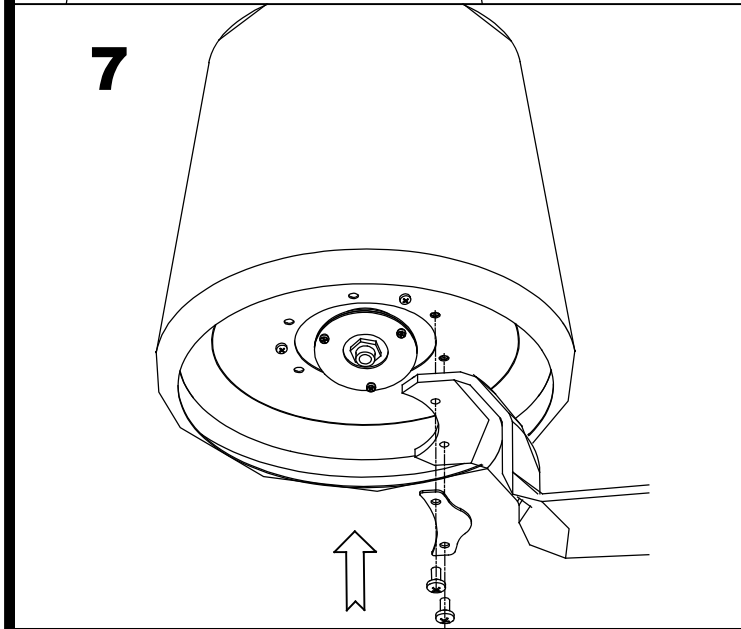
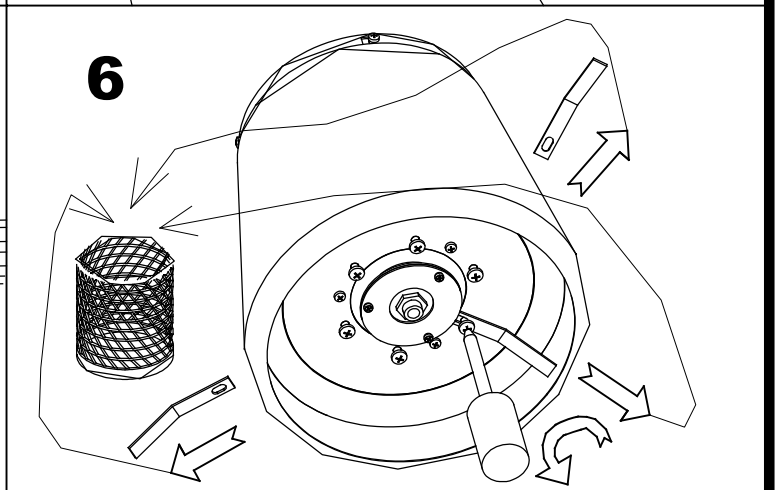
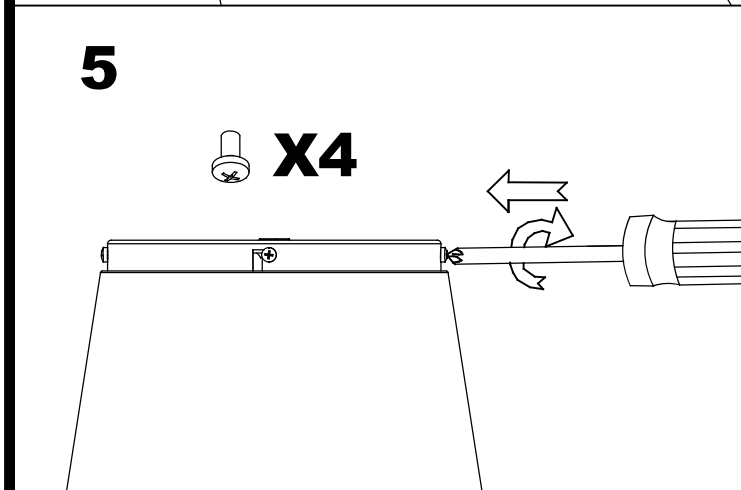
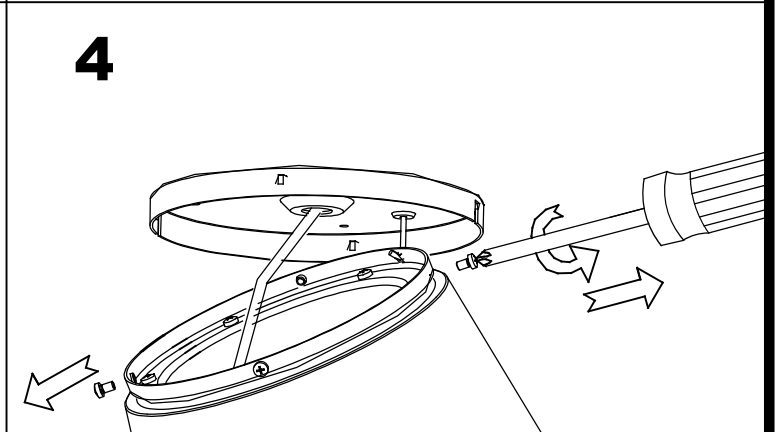
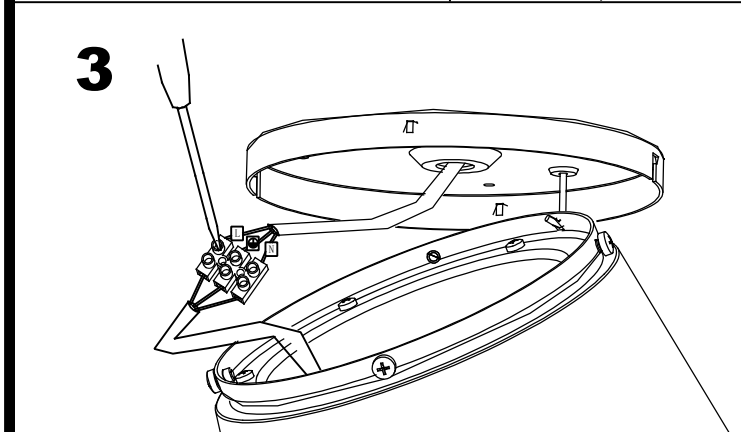
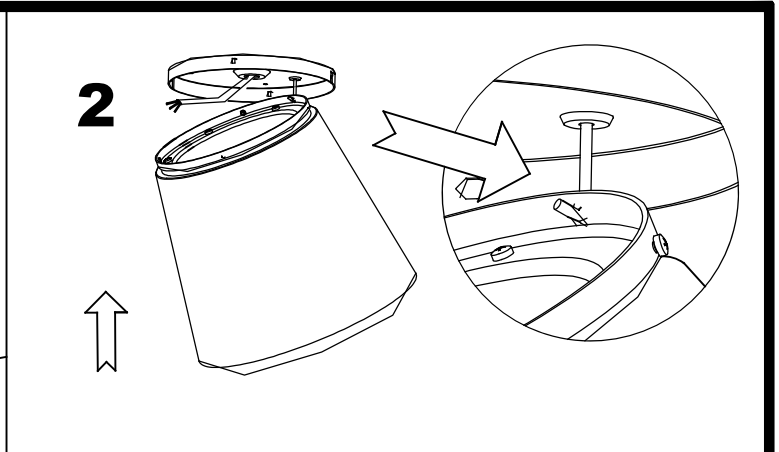
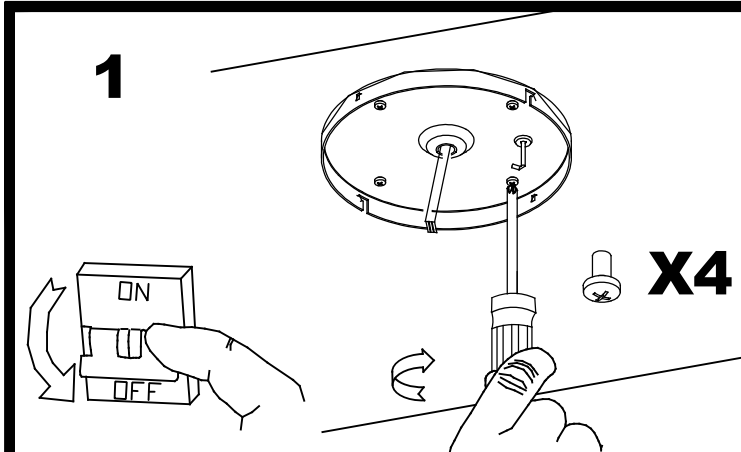


ABS

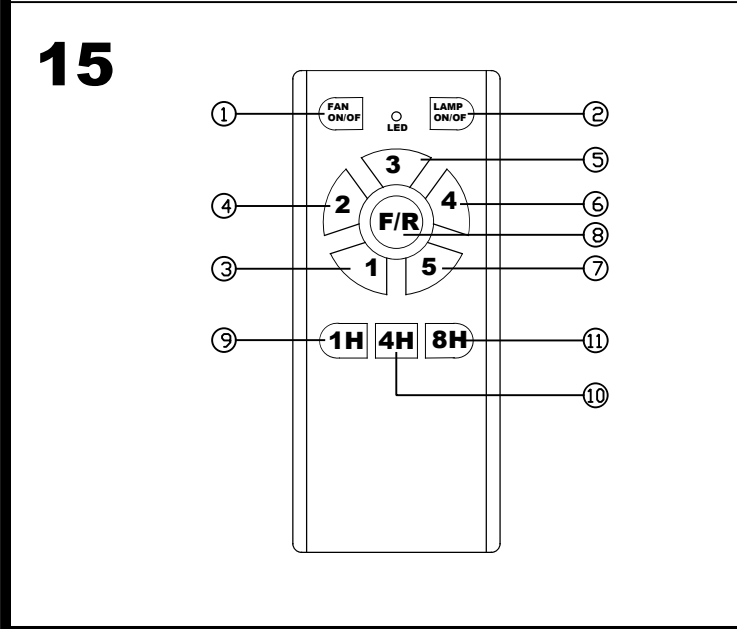
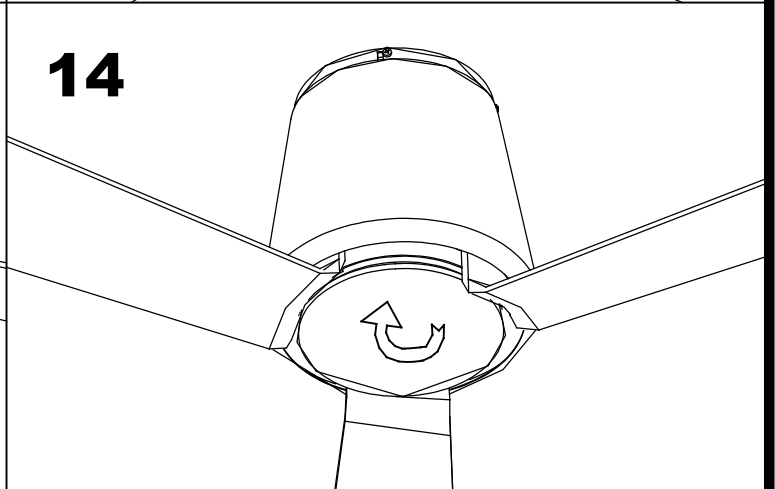
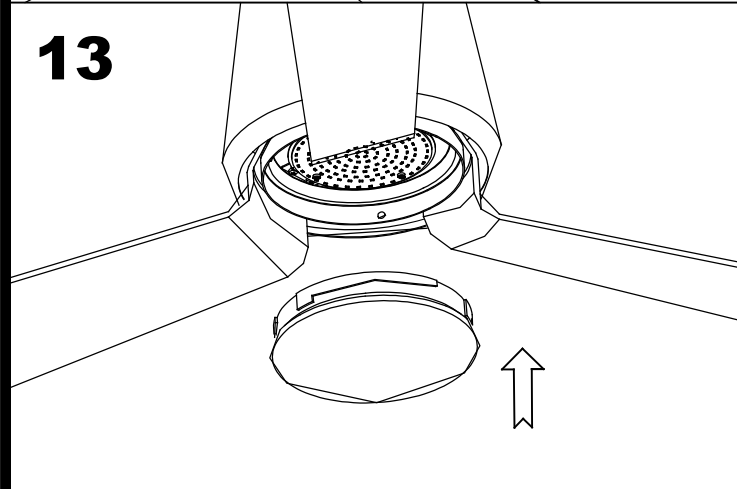
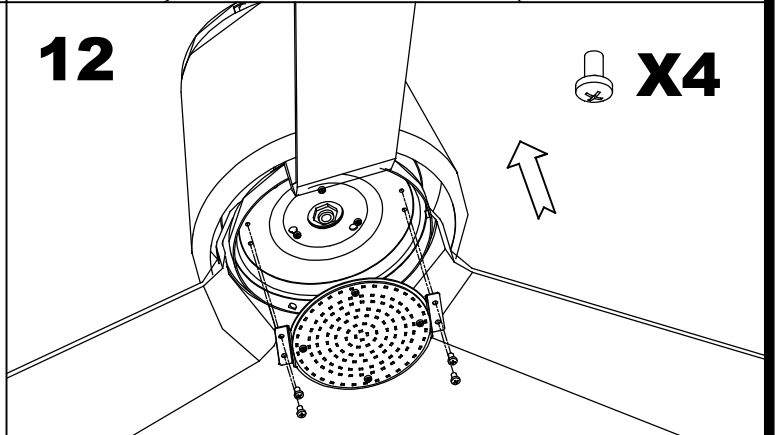
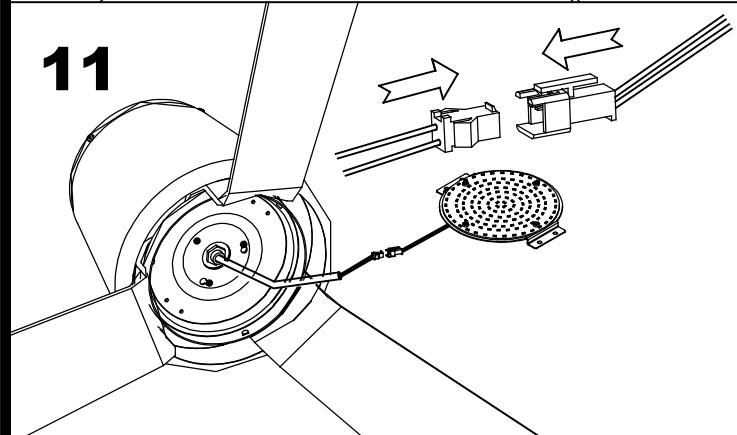
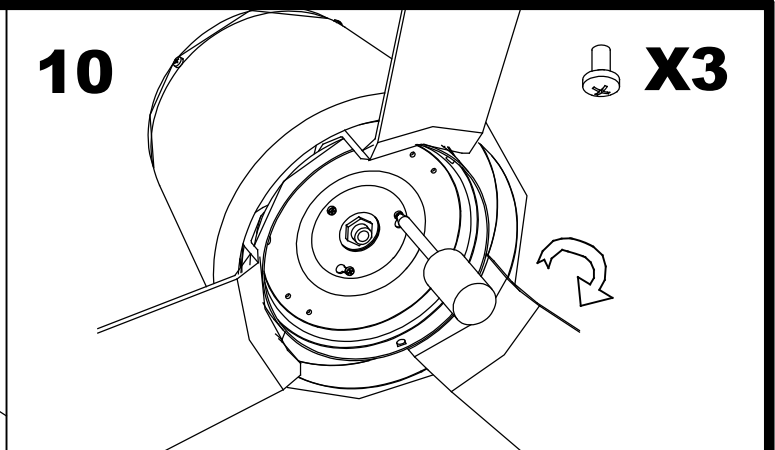
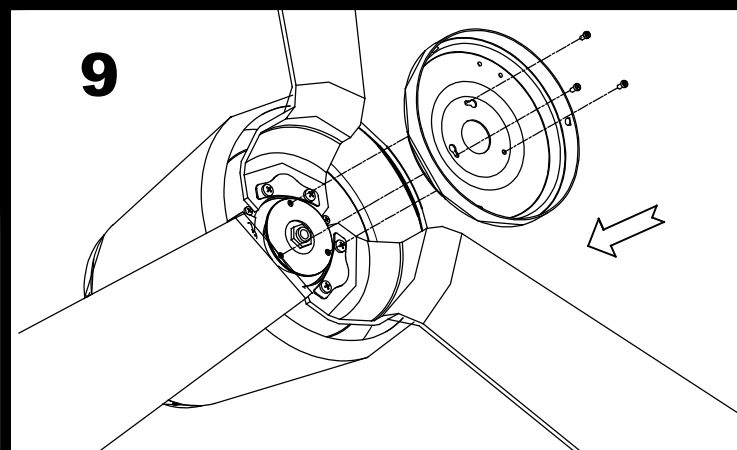


30-5378-14-F9

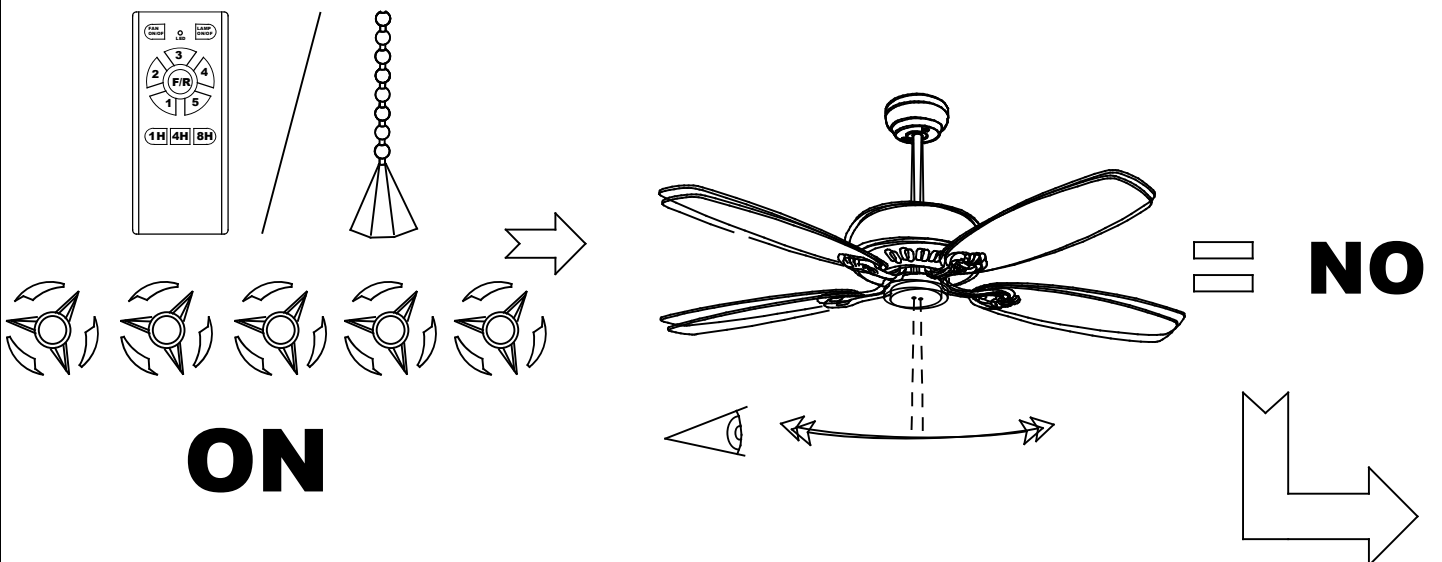
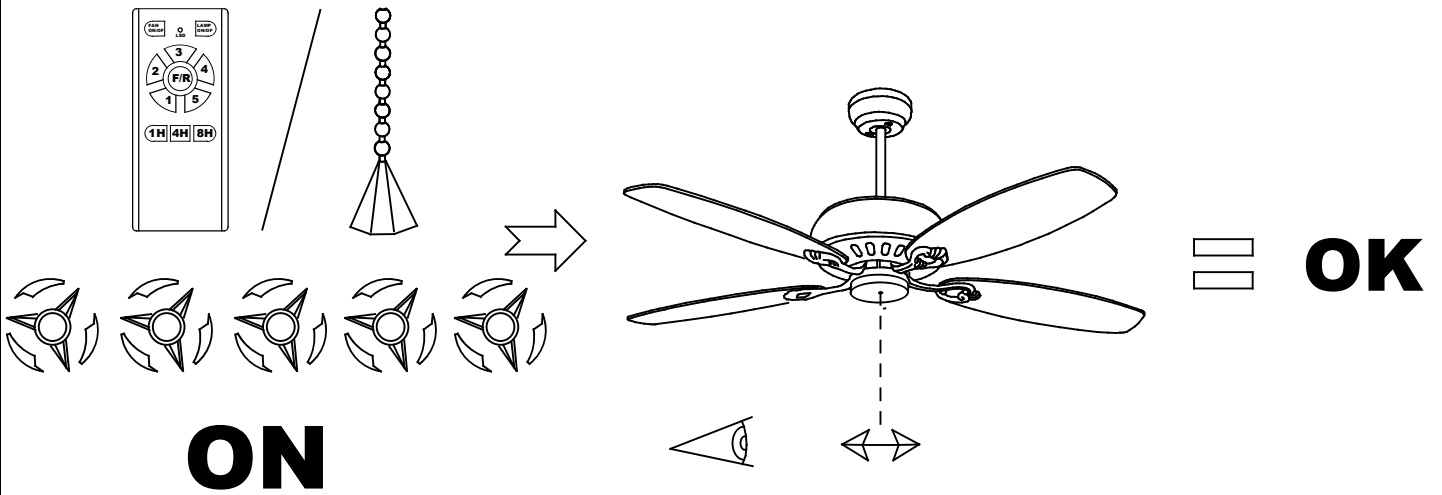
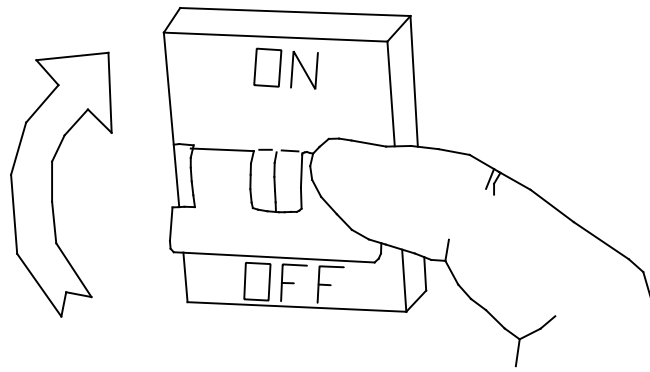


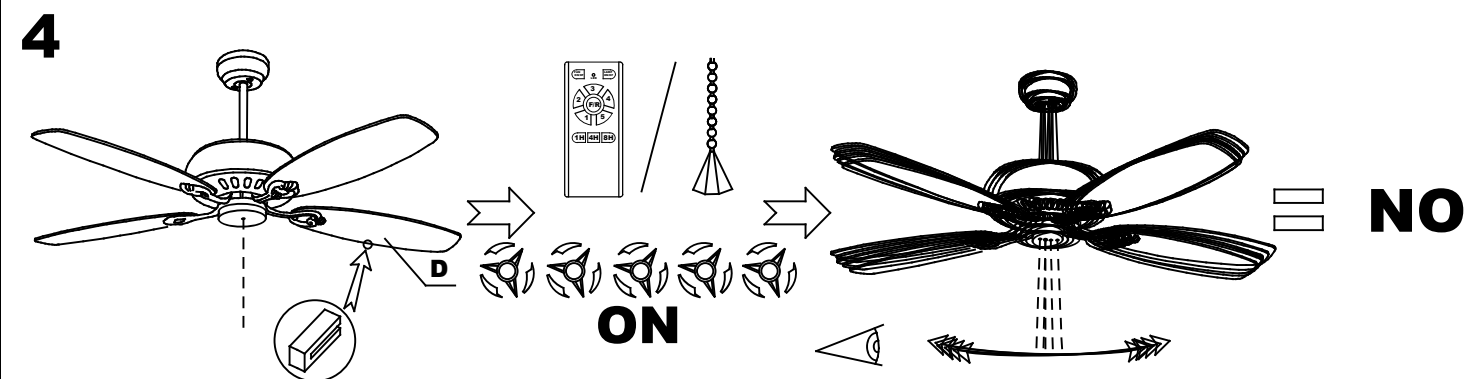
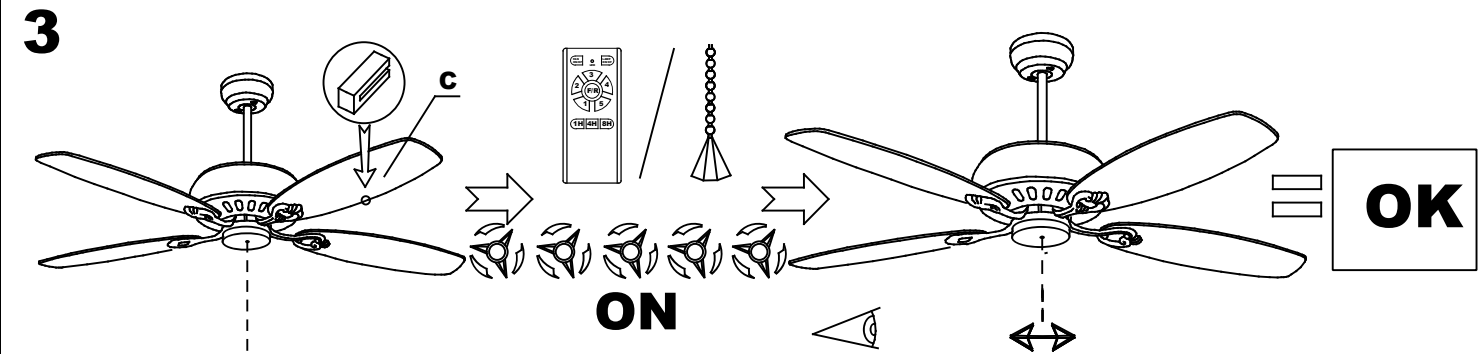
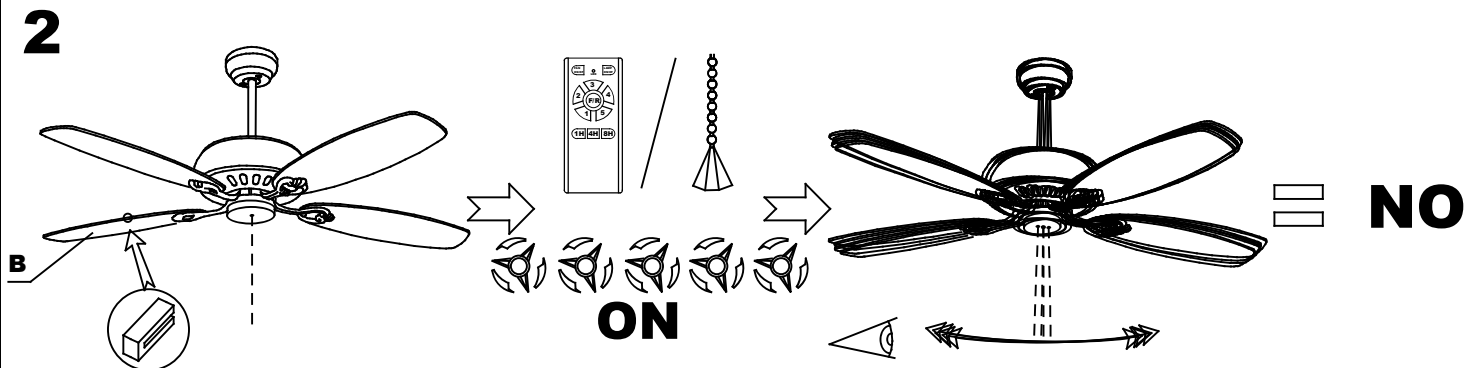
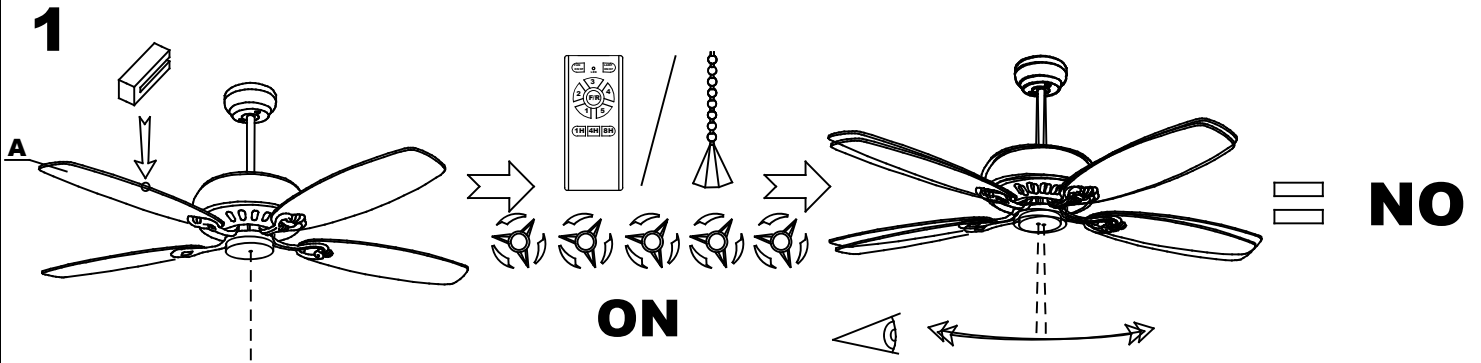
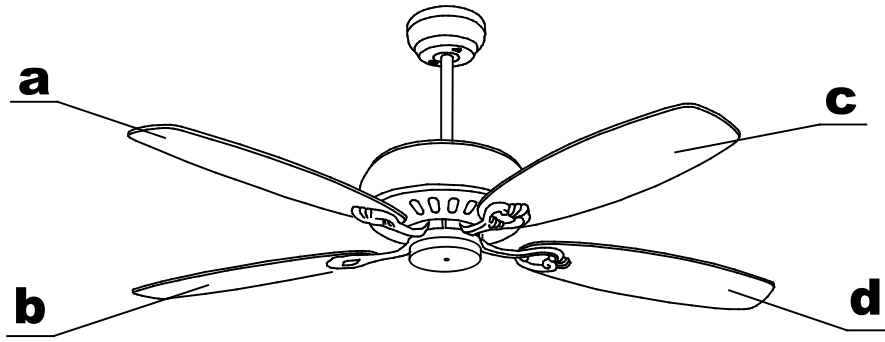


X3

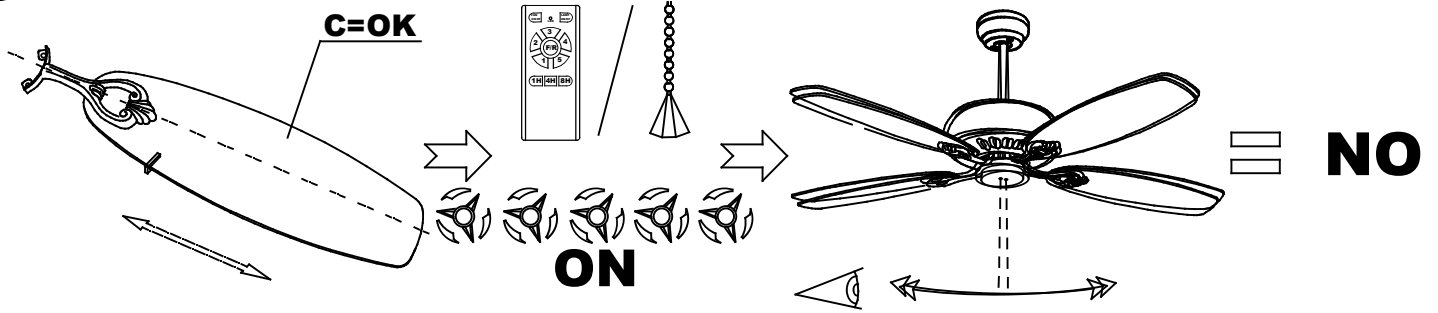


①		
②		
③		
④		
⑤		
⑥		
⑦		
⑧		
⑨		
⑩		
⑪		

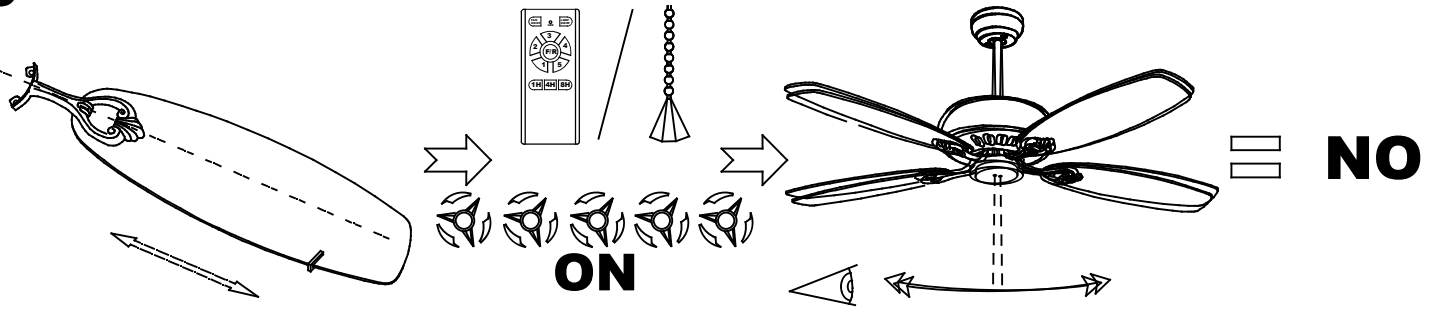




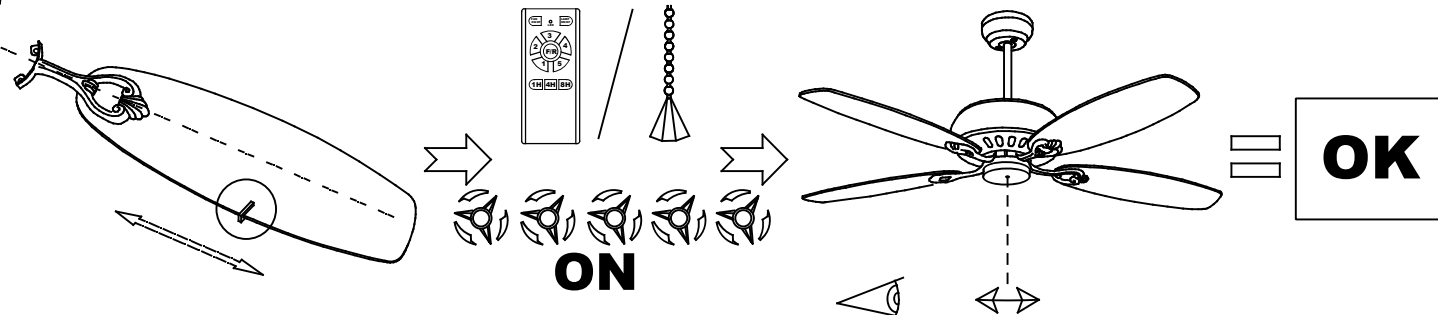
5



6



7



8

