

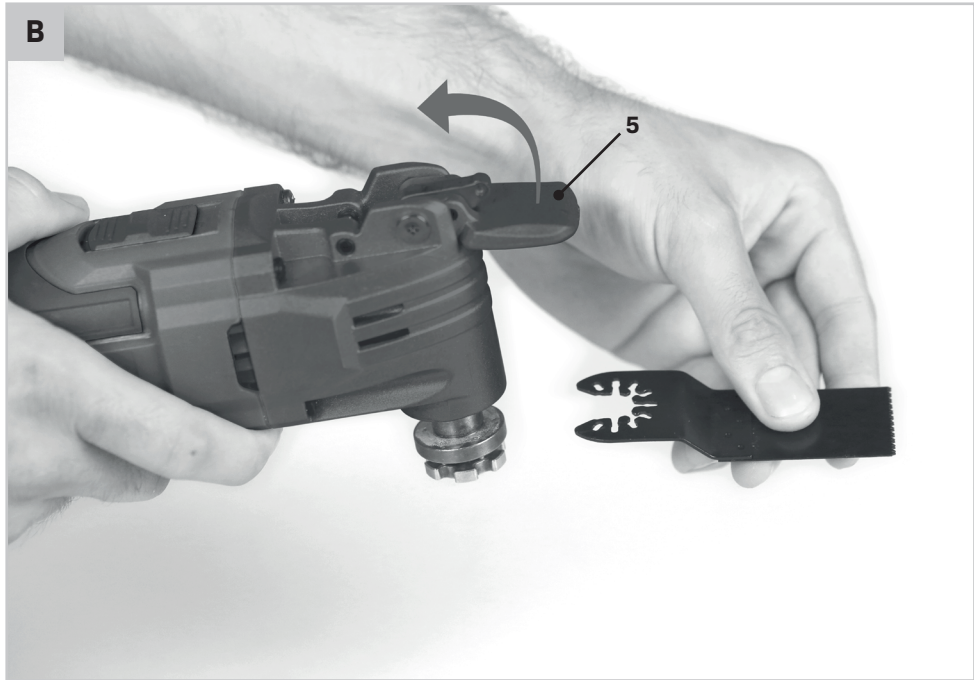
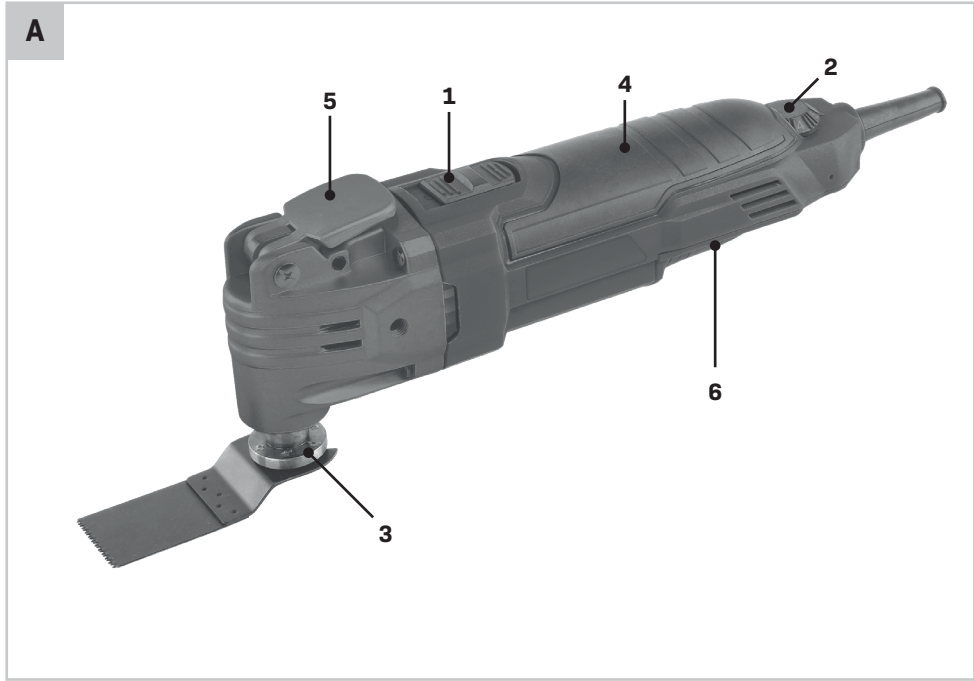


**VONROC®**  
BUILD YOUR FUTURE

## MULTI TOOL OT502AC / S\_OT502AC



<b>EN</b> Original Instructions	03	<b>DA</b> Oversættelse af den originale brugsanvisning	41
<b>DE</b> Übersetzung Der Originalbetriebsanleitung	08	<b>PL</b> Tłumaczenie instrukcji oryginalnej	46
<b>NL</b> Vertaling van de oorspronkelijke gebruiksaanwijzing	13	<b>RO</b> Traducere a instrucțiunilor originale	52
<b>FR</b> Traduction de la notice originale	19	<b>PT</b> Tradução do manual original	57
<b>ES</b> Traducción del manual original	25	<b>HU</b> Az eredeti utasítások fordítása	63
<b>IT</b> Traduzione delle istruzioni originali	30	<b>CS</b> Překlad původního návodu	68
<b>SV</b> Översättning av bruksanvisning i original	36	<b>TR</b> Orijinal talimatların çevirisi	74



## 1. SAFETY INSTRUCTIONS

Read the enclosed safety warnings, the additional safety warnings and the instructions. Failure to follow the safety warnings and the instructions may result in electric shock, fire and/or serious injury. Keep the safety warnings and the instructions for future reference.

The following symbols are used in the user manual or on the product:



*Read the user manual.*



*Risk of personal injury.*



*Risk of electric shock.*



*Immediately remove the mains plug from the mains if the mains cable becomes damaged and during cleaning and maintenance.*



*Risk of flying objects. Keep bystanders away from the work area.*



*Wear safety goggles.*



*Wear hearing protection.*



*Wear a dust mask.*



*Variable electronic speed.*



*Do not dispose of the product in unsuitable containers.*



*The product is in accordance with the applicable safety standards in the European directives.*

### GENERAL POWER TOOL SAFETY WARNINGS



**WARNING!** Read all safety warnings and all instructions. Failure to follow the warnings and instructions may result in electric shock, fire and/or serious injury.

#### Save all warnings and instructions for future reference.

The term “power tool” in the warnings refers to your mains-operated (corded) power tool or battery-operated (cordless) power tool.

- 1) **Work area safety**
  - a) **Keep the work area clean and well lit.** Cluttered or dark areas invite accidents.
  - b) **Do not operate power tools in explosive atmospheres, such as in the presence of flammable liquids, gases or dust.** Power tools create sparks which may ignite the dust or fumes.
  - c) **Keep children and bystanders away while operating a power tool.** Distractions can cause you to lose control.

### 2) Electrical safety

- a) **Power tool plugs must match the outlet. Never modify the plug in any way. Do not use any adapter plugs with earthed (grounded) power tools.** Unmodified plugs and matching outlets will reduce risk of electric shock.
- b) **Avoid body contact with earthed or grounded surfaces, such as pipes, radiators, ranges and refrigerators.** There is an increased risk of electric shock if your body is earthed or grounded.
- c) **Do not expose power tools to rain or wet conditions.** Water entering a power tool will increase the risk of electric shock.
- d) **Do not abuse the cord. Never use the cord for carrying, pulling or unplugging the power tool. Keep cord away from heat, oil, sharp edges or moving parts.** Damaged or entangled cords increase the risk of electric shock.
- e) **When operating a power tool outdoors, use an extension cord suitable for outdoor use.** Use of a cord suitable for outdoor use reduces the risk of electric shock.
- f) **If operating a power tool in a damp location is unavoidable, use a residual current device (RCD) protected supply.** Use of an RCD reduces the risk of electric shock.

### 3) Personal safety

- a) **Stay alert, watch what you are doing and use common sense when operating a power tool. Do not use a power tool while you are tired or under the influence of drugs, alcohol or medication.** A moment of inattention while operating power tools may result in serious personal injury.
- b) **Use personal protective equipment. Always wear eye protection.** Protective equipment such as dust mask, non-skid safety shoes, hard hat, or hearing protection used for appropriate conditions will reduce personal injuries.

- c) **Prevent unintentional starting. Ensure the switch is in the off-position before connecting to power source and/or battery pack, picking up or carrying the tool.** Carrying power tools with your finger on the switch or energising power tools that have the switch on invites accidents.
  - d) **Remove any adjusting key or wrench before turning the power tool on.** A wrench or a key left attached to a rotating part of the power tool may result in personal injury.
  - e) **Do not overreach. Keep proper footing and balance at all times.** This enables better control of the power tool in unexpected situations.
  - f) **Dress properly. Do not wear loose clothing or jewellery. Keep your hair, clothing and gloves away from moving parts.** Loose clothes, jewellery or long hair can be caught in moving parts.
  - g) **If devices are provided for the connection of dust extraction and collection facilities, ensure these are connected and properly used.** Use of dust collection can reduce dust related hazards.
  - h) **Do not let familiarity gained from frequent use of tools allow you to become complacent and ignore tool safety principles.** A careless action can cause severe injury within a fraction of a second.
- 4) Power tool use and care**
- a) **Do not force the power tool. Use the correct power tool for your application.** The correct power tool will do the job better and safer at the rate for which it was designed.
  - b) **Do not use the power tool if the switch does not turn it on and off.** Any power tool that cannot be controlled with the switch is dangerous and must be repaired.
  - c) **Disconnect the plug from the power source and/or the battery pack from the power tool before making any adjustments, changing accessories, or storing power tools.** Such preventive safety measures reduce the risk of starting the power tool accidentally.
  - d) **Store idle power tools out of the reach of children and do not allow persons unfamiliar with the power tool or these instructions to operate the power tool.** Power tools are dangerous in the hands of untrained users.
  - e) **Maintain power tools. Check for misalignment or binding of moving parts, breakage of parts and any other condition that may affect the power tool's operation. If damaged, have the power tool repaired before use.** Many accidents are caused by poorly maintained power tools.
  - f) **Keep cutting tools sharp and clean.** Properly maintained cutting tools with sharp cutting edges are less likely to bind and are easier to control.
  - g) **Use the power tool, accessories and tool bits etc. in accordance with these instructions, taking into account the working conditions and the work to be performed.** Use of the power tool for operations different from those intended could result in a hazardous situation.
  - h) **Keep handles and grasping surfaces dry, clean and free from oil and grease.** Slippery handles and grasping surfaces do not allow for safe handling and control of the tool in unexpected situations.
- 5) Battery tool use and care**
- a) **Recharge only with the charger specified by the manufacturer.** A charger that is suitable for one type of battery pack may create a risk of fire when used with another battery pack.
  - b) **Use power tools only with specifically designed battery packs.** Use of any other battery packs may create a risk of injury and fire.
  - c) **When battery pack is not in use, keep it away from other metal objects, like paper clips, coins, keys, nails, screws or other small metal objects that can make a connection from one terminal to another.** Shorting the battery terminals together may cause burns or a fire.
  - d) **Under abusive conditions, liquid may be ejected from the battery; avoid contact. If contact accidentally occurs, flush with water. If liquid contacts eyes, additionally seek medical help.** Liquid ejected from the battery may cause irritation or burns.
  - e) **Do not use a battery pack or tool that is damaged or modified.** Damaged or modified batteries may exhibit unpredictable behaviour resulting in fire, explosion or risk of injury.
  - f) **Do not expose a battery pack or tool to fire or excessive temperature.** Exposure to fire or temperature above 130 °C may cause explosion. NOTE The temperature „130 °C“ can be replaced by the temperature „265 °F“.
  - g) **Follow all charging instructions and do not charge the battery pack or tool outside the temperature range specified in the instructions.** Charging improperly or at temperatures outside the specified range may damage the battery and increase the risk of fire.

**6) Service**

- a) **Have your power tool serviced by a qualified repair person using only identical replacement parts.** This will ensure that the safety of the power tool is maintained.
- b) **Never service damaged battery packs.** Service of battery packs should only be performed by the manufacturer or authorized service providers.

**ADDITIONAL SAFETY WARNINGS FOR MULTITOOLS**

*Contact with or inhalation of dust coming free during use (e.g. lead-painted surfaces, wood and metal) can endanger your health and the health of bystanders. Always wear appropriate protective equipment, such as a dust mask. Always use proper dust extraction during use.*

- Do not work materials containing asbestos. Asbestos is considered carcinogenic.
  - Do not work metal with a magnesium content of more than 80%.
  - Be very careful when working painted surfaces.
  - Do not use accessories which are not specifically designed and recommended by the manufacturer. Risk of personal injury.
  - Inspect the machine and the accessories before each use. Do not use accessories which are bent, cracked, or otherwise damaged. If the machine or one of the accessories is dropped, inspect the machine or the accessory for damage. If necessary, replace the accessory.
  - Only use accessories that are recommended by the manufacturer.
  - Only use accessories that are suitable for the application.
  - Only use accessories with the correct dimensions.
  - Do not use accessories that require liquid coolants. Risk of electric shock.
  - Make sure that the accessories are properly mounted. Do not use adapters or other aids to mount accessories with another spindle diameter.
  - Make sure that the maximum speed for the accessory is larger than or the same as the maximum speed of the machine. Refer to the rating plate on the machine.
  - Let the machine run at no load in a safe area after mounting the accessories. If the machine vibrates strongly, immediately switch off the machine, remove the mains plug from the mains, and try to solve the problem.
- Make sure that the workpiece is properly supported or fixed.
  - Wear safety goggles. Wear hearing protection. Wear a dust mask. If necessary, use other protective means, such as safety gloves, safety shoes, etc. Risk of personal injury.
  - Keep bystanders away from the work area. Make sure that all persons in the work area wear protective equipment. Risk of personal injury.
  - Keep the mains cable away from the rotating accessory. If the mains cable touches the rotating accessory, your hands or arms may come in contact with the accessory. Risk of personal injury.
  - Hold the machine by the insulated gripping surfaces where the accessory may contact hidden wiring or the mains cable. If the accessory contacts a 'live' wire, the exposed metal parts of the machine can also become 'live'. Risk of electric shock.
  - Do not use the machine while carrying it at your side. Risk of personal injury.
  - Do not use the machine near flammable materials. Risk of fire.
  - Beware that the accessory continues to rotate for a short period after switching off the machine. Do not attempt to bring the accessory to a standstill yourself.
  - Never put the machine down on a table or a workbench before it has been switched off.
  - Regularly clean the ventilation slots. Risk of electric shock.

**Electrical safety**

*Always check that the voltage of the power supply corresponds to the voltage on the rating plate.*

- Do not use the machine if the mains cable or the mains plug is damaged.
- Only use extension cables that are suitable for the power rating of the machine with a minimum thickness of 1.5 mm<sup>2</sup>. If you use an extension cable reel, always fully unroll the cable.

**2. MACHINE INFORMATION****Intended use**

Your multitool has been designed for light sanding, sawing and scraping applications.

## TECHNICAL SPECIFICATIONS

<b>Model No.</b>	<b>OT502AC / S_OT502AC</b>
Mains voltage	220-240 V
Mains frequency	50 Hz
Power input	300 W
No-load speed	0-23.000 /min
Weight	1.21 kg
Sound pressure (L <sub>pa</sub> )	85 dB(A)
Acoustic power (L <sub>wa</sub> )	96 dB(A)
Uncertainty (K)	3 dB(A)
Vibration (sawing in steel)	7.28 m/s <sup>2</sup>
Uncertainty (K)	1.5 m/s <sup>2</sup>



*Wear hearing protection.*

### Vibration level

The vibration emission level stated in this instruction manual has been measured in accordance with a standardised test given in EN 60745; it may be used to compare one tool with another and as a preliminary assessment of exposure to vibration when using the tool for the applications mentioned

- using the tool for different applications, or with different or poorly maintained accessories, may significantly increase the exposure level
- the times when the tool is switched off or when it is running but not actually doing the job, may significantly reduce the exposure level

Protect yourself against the effects of vibration by maintaining the tool and its accessories, keeping your hands warm, and organizing your work patterns.

## DESCRIPTION

The numbers in the text refer to the diagrams on page 2.

1. On/off switch
2. Speed adjustment wheel
3. Mounting point for accessories
4. Grip
5. Quick change lever
6. Carbon brush cover

## 3. ASSEMBLY



*Before assembly, always switch off the machine and remove the mains plug from the mains.*

The sanding pad and the sanding paper must be used for sanding applications.

### Removing and mounting accessories (fig. B)

- Release the quick change lever (5) and slide the accessory forward to remove from the holder.
- Slide the accessory in the holder and fasten the quick change lever (5).

## 4. OPERATION

### Switching on and off (fig. A)

- To switch on the machine, slide the on/off switch (1) to the front.
- To switch off the machine, slide the on/off switch (1) to the rear.

### Setting the speed (fig. A)

The speed adjustment wheel is used for setting the speed. The speed adjustment wheel can be set to 6 positions. The ideal speed depends on the application and on the material to be worked.



*Do not set the speed during use.*

- Turn the speed adjustment wheel (2) to the required position.

### Hints for optimum use

- Clamp the workpiece. Use a clamping device for small workpieces.
- Draw a line to define the direction in which to guide the accessory.
- Firmly hold the machine by the grip.
- Switch on the machine.
- Wait until the machine has reached full speed.
- Place the accessory on the workpiece.
- Slowly move the machine along the pre-drawn line, firmly pressing the accessory against the workpiece.
- Do not apply too much pressure on the machine. Let the machine do the work.
- Switch off the machine and wait for the machine to come to a complete standstill before putting the machine down.

## 5. MAINTENANCE



*Before cleaning and maintenance, always switch off the machine and remove the mains plug from the mains.*

- Regularly clean the housing with a soft cloth.
- Keep the ventilation slots free from dust and dirt. If necessary, use a soft, moist cloth to remove dust and dirt from the ventilation slots.

### Replacing the accessories (fig. B)

Worn or damaged accessories must be replaced immediately.



*Only use sharp and undamaged accessories.*

- To remove the accessory, proceed as described in the corresponding section.
- To mount the accessory, proceed as described in the corresponding section.

## ENVIRONMENT



*Faulty and/or discarded electrical or electronic apparatus have to be collected at the appropriate recycling locations.*

### Only for EC countries

Do not dispose of power tools into domestic waste. According to the European Guideline 2012/19/EC for Waste Electrical and Electronic Equipment and its implementation into national right, power tools that are no longer usable must be collected separately and disposed of in an environmentally friendly way.

## WARRANTY

VONROC products are developed to the highest quality standards and are guaranteed free of defects in both materials and workmanship for the period lawfully stipulated starting from the date of original purchase. Should the product develop any failure during this period due to defective material and/or workmanship then contact VONROC directly.

The following circumstances are excluded from this guarantee:

- Repairs and or alterations have been made or attempted to the machine by unauthorized service centers;

- Normal wear and tear;
- The tool has been abused, misused or improperly maintained;
- Non-original spare parts have been used.

This constitutes the sole warranty made by company either expressed or implied. There are no other warranties expressed or implied which extend beyond the face hereof, herein, including the implied warranties of merchantability and fitness for a particular purpose. In no event shall VONROC be liable for any incidental or consequential damages. The dealers remedies shall be limited to repair or replacement of nonconforming units or parts.

**The product and the user manual are subject to change. Specifications can be changed without further notice.**

## 1. SICHERHEITSANWEISUNGEN

Lesen Sie die beiliegenden Sicherheitsanweisungen, die zusätzlichen Sicherheitsanweisungen sowie die Bedienungsanleitung. Das Nichtbeachten der Sicherheitsanweisungen und der Bedienungsanleitung kann zu einem Stromschlag, Feuer und/oder schweren Verletzungen führen. Bewahren Sie die Sicherheitsanweisungen und die Bedienungsanleitung zur künftigen Bezugnahme auf.

Folgende Symbole werden im Benutzerhandbuch oder auf dem Produkt verwendet:



Lesen Sie das Benutzerhandbuch.



Gefahr von Personenverletzungen.



Gefahr eines Stromschlags.



Ziehen Sie sofort den Netzstecker aus der Steckdose, falls das Netzkabel beschädigt wird sowie bei der Reinigung und Wartung.



Gefahr von herumfliegenden Gegenständen. Halten Sie Unbeteiligte vom Arbeitsbereich fern.



Tragen Sie eine Schutzbrille.  
Tragen Sie einen Gehörschutz.



Tragen Sie eine Staubmaske.



Verstellbarer Geschwindigkeitsregler.



Entsorgen Sie das Produkt nicht in hierfür nicht vorgesehenen Abfallbehältern.



Das Produkt entspricht den geltenden Sicherheitsnormen der europäischen Richtlinien.

### ALLGEMEINE SICHERHEITSHINWEISE



**ACHTUNG! Lesen Sie alle Sicherheitshinweise und Anweisungen.** Fehler bei der Einhaltung der nachstehend aufgeführten Anweisungen können elektrischen Schlag, Brand und/oder schwere Verletzungen verursachen.

**Bewahren Sie diese Anweisungen gut auf.** Der nachfolgend verwendete Begriff „Elektrowerkzeug“ bezieht sich auf netzbetriebene Elektrowerkzeuge

(mit Netzkabel) und auf akkubetriebene Elektrowerkzeuge (ohne Netzkabel).

#### 1) Arbeitsplatz

- a) **Halten Sie Ihren Arbeitsbereich sauber und aufgeräumt.** Unordnung und unbeleuchtete Arbeitsbereiche können zu Unfällen führen.
- b) **Arbeiten Sie mit dem Gerät nicht in explosionsgefährdeter Umgebung, in der sich brennbare Flüssigkeiten, Gase oder Staub befinden.** Elektrowerkzeuge erzeugen Funken, die den Staub oder die Dämpfe entzünden können.
- c) **Halten Sie Kinder und andere Personen während der Benutzung des Elektrowerkzeugs fern.** Bei Ablenkung können Sie die Kontrolle über das Gerät verlieren.

#### 2) Elektrische Sicherheit

- a) **Der Anschlussstecker des Gerätes muss in die Steckdose passen. Der Netzstecker darf in keener Weise verändert werden. Verwenden Sie keine Adapterstecker gemeinsam mit schutzgeerdeten Geräten. Unveränderte Netzstecker** und passende Steckdosen verringern das Risiko eines elektrischen Schlages.
- b) **Vermeiden Sie Körperkontakt mit geerdeten Oberflächen, wie von Rohren, Heizungen, Herden und Kühlschränken.** Es besteht ein erhöhtes Risiko durch elektrischen Schlag, wenn Ihr Körper geerdet ist.
- c) **Halten Sie das Gerät von Regen oder Nässe fern.** Das Eindringen von Wasser in ein Elektrogerät erhöht das Risiko eines elektrischen Schlages.
- d) **Zweckentfremden Sie das Netzkabel nicht, um das Gerät zu tragen, aufzuhängen oder um den Netzstecker aus der Steckdose zu ziehen. Halten Sie das Netzkabel fern von Hitze, Öl, scharfen Kanten oder sich bewegenden Geräteteilen.** Beschädigte oder verwickelte Netzkabel erhöhen das Risiko eines elektrischen Schlages.
- e) **Wenn Sie mit einem Elektrowerkzeug im Freien arbeiten, verwenden Sie nur Verlängerungskabel, die auch für den Außenbereich zugelassen sind.** Die Anwendung eines für den Außenbereich geeigneten Verlängerungskabels verringert das Risiko eines elektrischen Schlages.
- f) **Wenn sich Arbeiten mit einem Elektrowerkzeug in feuchten Umgebungen nicht vermeiden lassen, verwenden Sie eine Stromversorgung mit einer Fehlerstrom-Schutzeinrichtung (RCD).**



Durch die Verwendung einer RCD wird die Gefahr eines elektrischen Schlags verringert.

### 3) Sicherheit von Personen

- a) **Seien Sie aufmerksam. Achten Sie darauf, was Sie tun, und gehen Sie mit Vernunft an die Arbeit mit einem Elektrowerkzeug. Benutzen Sie das Gerät nicht, wenn Sie müde sind oder unter dem Einfluss von Drogen, Alkohol oder Medikamenten stehen.** Ein Moment der Unachtsamkeit beim Gebrauch des Gerätes kann zu ernsthaften Verletzungen führen.
- b) **Tragen Sie persönliche Schutzausrüstung und immer eine Schutzbrille.** Das Tragen persönlicher Schutzausrüstung, wie Staubmaske, rutschfeste Sicherheitsschuhe, Schutzhelm oder Gehörschutz, je nach Art und Einsatz des Elektrowerkzeuges, verringert das Risiko von Verletzungen.
- c) **Vermeiden Sie eine unbeabsichtigte Inbetriebnahme. Vergewissern Sie sich, dass der Schalter in der Position „AUS(0)“ ist, bevor Sie den Netzstecker in die Steckdose stecken.** Wenn Sie beim Tragen des Geräts den Finger am Schalter haben oder das Gerät eingeschaltet an die Stromversorgung anschließen, kann dies zu Unfällen führen.
- d) **Entfernen Sie Einstellwerkzeuge oder Schraubenschlüssel, bevor Sie das Gerät einschalten.** Ein Werkzeug oder Schlüssel, der sich in einem drehenden Geräteteil befindet, kann zu Verletzungen führen.
- e) **Überschätzen Sie sich nicht. Sorgen Sie für einen sicheren Stand und halten Sie jederzeit das Gleichgewicht.** Dadurch können Sie das Gerät in unerwarteten Situationen besser kontrollieren.
- f) **Tragen Sie geeignete Kleidung. Tragen Sie keine weite Kleidung oder Schmuck. Halten Sie Haare, Kleidung und Handschuhe fern von sich bewegenden Teilen.** Lockere Kleidung, Schmuck oder lange Haare können von sich bewegenden Teilen erfasst werden.
- g) **Wenn Staubabsaug- und -auffangeinrichtungen montiert werden können, vergewissern Sie sich, dass diese angeschlossen sind und richtig verwendet werden.** Das Verwenden dieser Einrichtungen verringert Gefährdungen durch Staub.
- h) **Achten Sie darauf, nicht durch häufigen Gebrauch von Werkzeugen nachlässig zu werden und die Prinzipien zum sicheren Umgang mit den**

**Werkzeugen zu ignorieren.** Eine unachtsame Handlung kann innerhalb von Sekundenbruchteilen schwere Verletzungen verursachen.

### 4) Sorgfältiger Umgang und Gebrauch von Elektrowerkzeugen

- a) **Überlasten Sie das Gerät nicht. Verwenden Sie für Ihre Arbeit das dafür bestimmte Elektrowerkzeug.** Mit dem passenden Elektrowerkzeug arbeiten Sie besser und sicherer im angegebenen Leistungsbereich.
- b) **Benutzen Sie kein Elektrowerkzeug, dessen Schalter defekt ist.** Ein Elektrowerkzeug, das sich nicht mehr ein- oder ausschalten lässt, ist gefährlich und muss repariert werden.
- c) **Ziehen Sie den Netzstecker aus der Steckdose, bevor Sie Geräteeinstellungen vornehmen, Zubehörteile wechseln oder das Gerät weglegen.** Diese Vorsichtsmaßnahme verhindert den unbeabsichtigten Start des Geräts.
- d) **Bewahren Sie unbenutzte Elektrowerkzeuge außerhalb der Reichweite von Kindern auf. Lassen Sie Personen das Gerät nicht benutzen, die mit diesem nicht vertraut sind oder diese Anweisungen nicht gelesen haben.** Elektrowerkzeuge sind gefährlich, wenn Sie von unerfahrenen Personen benutzt werden.
- e) **Pflegen Sie das Gerät mit Sorgfalt. Kontrollieren Sie, ob bewegliche Geräteteile einwandfrei funktionieren und nicht klemmen, ob Teile gebrochen oder so beschädigt sind, dass die Funktion des Gerätes beeinträchtigt ist. Lassen Sie beschädigte Teile vor dem Einsatz des Gerätes reparieren.** Viele Unfälle haben ihre Ursache in schlecht gewarteten Elektrowerkzeugen.
- f) **Halten Sie Schneidwerkzeuge scharf und sauber.** Sorgfältig gepflegte Schneidwerkzeuge mit scharfen Schneidkanten verklemmen sich weniger und sind leichter zu führen.
- g) **Verwenden Sie Elektrowerkzeug, Zubehör, Einsatzwerkzeuge usw. entsprechend diesen Anweisungen und so, wie es für diesen speziellen Gerätetyp vorgeschrieben ist. Berücksichtigen Sie dabei die Arbeitsbedingungen und die auszuführende Tätigkeit.** Der Gebrauch von Elektrowerkzeugen für andere als die vorgesehenen Anwendungen kann zu gefährlichen Situationen führen.
- h) **Halten Sie Griffe und Greifflächen immer trocken, sauber und frei von Öl und Fett.** Rutschige Griffe

und Greifflächen verhindern in unerwarteten Situationen den sicheren Umgang mit dem Werkzeug und die richtige Kontrolle darüber.

### 5) Umgang mit Akkwerkzeugen

- a) **Zum Laden ist ausschließlich das vom Hersteller angegebene Ladegerät zu verwenden.** Ein Ladegerät, das für eine Art von Akkus geeignet ist, kann bei Verwendung mit einer anderen Art von Akku Brandgefahr verursachen.
  - b) **Elektrowerkzeuge dürfen nur mit speziell dazu bestimmten Akkus verwendet werden,** da bei der Verwendung anderer Akkus Verletzungs- und Brandgefahr entstehen kann.
  - c) **Wenn der Akku nicht in Gebrauch ist, ist er von Büroklammern, Münzen, Schlüssel, Nägel, Schrauben und anderen kleinen Metallobjekten fernzuhalten, die eine Verbindung zwischen den Polen bilden können.** Kurzschließen der Pole kann Brand oder Verbrennungen verursachen.
  - d) **Bei falschem Umgang mit dem Akku kann Flüssigkeit aus dem Akku austreten. Die Berührung dieser Flüssigkeit ist zu vermeiden. Bei Berührung den betroffenen Körperteil mit Wasser abspülen. Bei Berührung der Flüssigkeit mit den Augen muss zusätzlich ärztliche Hilfe gerufen werden.** Die Akkufflüssigkeit kann Reizungen oder Verbrennungen verursachen.
  - e) **Verwenden Sie keinesfalls Akkus und Werkzeuge, die beschädigt oder verändert wurden.** Beschädigte oder veränderte Akkus können ein unvorhersehbares Verhalten zeigen, das zu Feuer, Explosionen oder Verletzungsgefahren führt.
  - f) **Setzen Sie Akkus oder Werkzeuge keinem Feuer oder übermäßigen Temperaturen aus.** Feuer oder Temperaturen über 130 °C können zu Explosionen führen. HINWEIS: Die Temperaturangabe „130 °C“ kann durch die Temperaturangabe „265 °F“ ersetzt werden.
  - g) **Beachten Sie alle Hinweise zum Aufladen und laden Sie Akkus oder Werkzeuge nicht außerhalb der in der Anleitung angegebenen Temperaturbereiche auf.** Unsachgemäßes Aufladen oder Aufladen bei Temperaturen außerhalb des angegebenen Bereichs kann den Akku schädigen und die Brandgefahr erhöhen.
- 6) Service**
- a) **Lassen Sie Ihre Werkzeuge durch einen qualifizierten Reparaturtechniker ausschließlich mit identischen Ersatzteilen**

- warten.** So lässt sich eine gleich bleibende Sicherheit des Elektrowerkzeugs gewährleisten.
- b) **Beschädigte Akkus dürfen keinesfalls gewartet werden.** Die Wartung von Akkus darf nur vom Hersteller oder von Vertragswerkstätten durchgeführt werden.

### ZUSÄTZLICHE SICHERHEITSHINWEISE FÜR MULTITOOLS



*Der Kontakt oder das Einatmen von Staub, der beim Gebrauch frei wird (z.B. mit bleihaltiger Farbe lackierte Oberflächen, Holz und Metall) kann Ihre eigene Gesundheit sowie die Gesundheit Anderer gefährden. Tragen Sie stets Schutzausrüstung, z.B. eine Staubmaske. Verwenden Sie beim Gebrauch stets eine entsprechende Staubabsaugung.*

- Bearbeiten Sie keine asbesthaltigen Materialien. Asbest wird als krebserregend eingestuft.
- Bearbeiten Sie kein Metall mit einem Magnesiummantel von mehr als 80%.
- Gehen Sie beim Bearbeiten von lackierten Oberflächen äußerst vorsichtig vor.
- Verwenden Sie kein Zubehör, das nicht speziell vom Hersteller konstruiert und empfohlen wurde. Gefahr von Personenverletzungen.
- Überprüfen Sie die Maschine und ihr Zubehör vor jedem Gebrauch. Verwenden Sie kein verbotenes, gerissenes oder anderweitig beschädigtes Zubehör. Wird die Maschine oder ein Zubehöerteil fallen gelassen, überprüfen Sie die Maschine bzw. das Zubehör auf Beschädigung. Erneuern Sie das Zubehör ggf.
- Verwenden Sie nur vom Hersteller empfohlenes Zubehör.
- Verwenden Sie nur für den Einsatz geeignetes Zubehör.
- Verwenden Sie nur Zubehör mit den richtigen Maßen.
- Verwenden Sie kein Zubehör, bei dem flüssige Kühlmittel erforderlich sind. Gefahr eines Stromschlags.
- Vergewissern Sie sich, dass das Zubehör richtig angebracht ist. Verwenden Sie keine Adapter oder andere Hilfsmittel, um Zubehör mit einem anderen Spindeldurchmesser anzubringen.
- Vergewissern Sie sich, dass die maximale Geschwindigkeit des Zubehörs der maximalen Geschwindigkeit der Maschine entspricht bzw. diese überschreitet. Siehe Typenschild an der Maschine.

- Lassen Sie die Maschine nach dem Anbringen des Zubehörs in einem sicheren Bereich im Leerlauf laufen. Vibriert die Maschine stark, schalten Sie sie sofort aus, ziehen Sie den Netzstecker aus der Steckdose und versuchen Sie, das Problem zu beheben.
- Vergewissern Sie sich, dass das Werkstück richtig gestützt bzw. fixiert ist.
- Tragen Sie eine Schutzbrille. Tragen Sie einen Gehörschutz. Tragen Sie eine Staubmaske. Verwenden Sie ggf. weitere Schutzmittel wie beispielsweise Schutzhandschuhe, Sicherheitsschuhe, usw. Gefahr von Personenverletzungen.
- Halten Sie Unbeteiligte vom Arbeitsbereich fern. Vergewissern Sie sich, dass sämtliche Personen im Arbeitsbereich Schutzrüstung tragen. Gefahr von Personenverletzungen.
- Halten Sie das Netzkabel von dem sich drehenden Zubehör fern. Berührt das Netzkabel das sich drehende Zubehör, können Ihre Hände oder Arme damit in Kontakt geraten. Gefahr von Personenverletzungen.
- Halten Sie die Maschine an den isolierten Griffflächen, falls die Gefahr besteht, dass das Zubehör versteckte Leitungen oder das Netzkabel berühren könnte. Falls das Zubehör einen spannungsführenden Draht berührt, können die freiliegenden Metallteile der Maschine ebenfalls spannungsführend werden. Gefahr eines Stromschlags.
- Verwenden Sie die Maschine nicht, während Sie sie an Ihrer Seite tragen. Gefahr von Personenverletzungen.
- Verwenden Sie die Maschine nicht in der Nähe von brennbaren Materialien. Brandgefahr.
- Seien Sie sich darüber im Klaren, dass das Zubehör nach dem Abschalten der Maschine noch etwas nachläuft. Versuchen Sie nicht, das Zubehör selbst zum Stillstand zu bekommen.
- Legen Sie die Maschine niemals auf einem Tisch oder einer Werkbank ab, bevor sie nicht abgeschaltet wurde.
- Reinigen Sie regelmäßig die Belüftungsschlitze. Gefahr eines Stromschlags.

**Elektrische Sicherheit**



Achten Sie stets darauf, dass die Spannung der Stromversorgung mit der Spannung auf dem Typenschild übereinstimmt.

- Verwenden Sie die Maschine nicht, wenn das Netzkabel oder der Netzstecker beschädigt ist.

- Verwenden Sie nur Verlängerungskabel, die für die Leistungsaufnahme der Maschine geeignet sind und eine Mindestaderstärke von 1,5 mm<sup>2</sup> haben.

Falls Sie eine Kabeltrommel verwenden, rollen Sie das Kabel immer vollständig ab.

**2. ANGABEN ZUM WERKZEUG**

**Verwendungszweck**

Ihr Multitool wurde für leichte Schleifarbeiten, zum Sägen und Schaben konstruiert.

**TECHNISCHE DATEN**

Modellnummer	OT502AC / S_OT502AC
Netzspannung	220-240 V
Netzfrequenz	50 Hz
Leistungsaufnahme	300 W
Leerlaufgeschwindigkeit	0-23.000 /min
Gewicht	1,21 kg
Schalldruck (Lpa)	85 dB(A)
Schalleistung (Lwa)	96 dB(A)
Unsicherheitsfaktor (K)	3 dB(A)
Vibrationen (Sägen in Stahl)	7,28 m/s <sup>2</sup>
Unsicherheitsfaktor (K)	1,5 m/s <sup>2</sup>



Tragen Sie einen Gehörschutz.

**Vibrationsstufe**

Die im dieser Bedienungsanleitung angegebene Vibrationsemissionsstufe wurde mit einem standardisierten Test gemäß EN 60745 gemessen; Sie kann verwendet werden, um ein Werkzeug mit einem anderen zu vergleichen und als vorläufige Beurteilung der Vibrationsexposition bei Verwendung des Werkzeugs für die angegebenen Anwendungszwecke

- die Verwendung des Werkzeugs für andere Anwendungen oder mit anderem oder schlecht gewartetem Zubehör kann die Expositionsstufe erheblich erhöhen
- Zeiten, zu denen das Werkzeug ausgeschaltet ist, oder wenn es läuft aber eigentlich nicht eingesetzt wird, können die Expositionsstufe erheblich verringern

Schützen Sie sich vor den Auswirkungen der Vibration durch Wartung des Werkzeugs und des Zubehörs,

halten Sie Ihre Hände warm und organisieren Sie Ihren Arbeitsablauf.

## BESCHREIBUNG

Die Buchstaben und Ziffern im folgenden Text verweisen auf die Abbildungen auf Seite 2.

1. Ein-/Aus-Schalter
2. Geschwindigkeitseinstellrad
3. Befestigungspunkt für Zubehör
4. Griff
5. Schnellwechselhebel
6. Kohlebürstenabdeckung

## 3. MONTAGE



*Schalten Sie die Maschine vor der Montage aus und ziehen Sie den Netzstecker aus der Steckdose.*

Für Schleifarbeiten müssen der Schleifteller und das Schleifpapier verwendet werden.

### Anbringen und Entfernen von Zubehör (Abb. B)

- Lösen Sie den Schnellwechselhebel (5) und schieben Sie das Zubehör nach vorne, um den Halter zu entfernen.
- Schieben Sie das Zubehör in den Halter und befestigen Sie den Schnellwechselhebel (5) wieder.

## 4. BETRIEB

### Ein- und Ausschalten (Abb. A)

- Um die Maschine einzuschalten, schieben Sie den Ein-/Aus-Schalter (1) nach vorne.
- Um die Maschine auszuschalten, schieben Sie den Ein-/Aus-Schalter (1) nach hinten.

### Einstellung der Geschwindigkeit (Abb. A)

Das Geschwindigkeitseinstellrad wird zur Einstellung der Geschwindigkeit verwendet.

Das Geschwindigkeitseinstellrad kann auf 6 Positionen eingestellt werden. Die ideale Geschwindigkeit hängt vom Einsatz sowie von dem zu bearbeitenden Material ab.



*Stellen Sie die Geschwindigkeit nicht während des Gebrauchs ein.*

- Drehen Sie das Geschwindigkeitseinstellrad (2) auf die erforderliche Position.

### Ratschläge für optimale Arbeitsergebnisse

- Spannen Sie das Werkstück ein. Verwenden Sie für kleine Werkstücke eine Spannvorrichtung.
- Zeichnen Sie eine Linie, um die Richtung vorzugeben, in der das Zubehör geführt wird.
- Halten Sie die Maschine sicher am Griff fest.
- Schalten Sie die Maschine ein.
- Warten Sie, bis die Maschine ihre volle Geschwindigkeit erreicht hat.
- Setzen Sie das Zubehör auf das Werkstück.
- Bewegen Sie die Maschine langsam die vorgezeichnete Linie entlang, wobei Sie das Zubehör fest gegen das Werkstück drücken.
- Üben Sie nicht zu viel Druck auf die Maschine aus. Lassen Sie die Maschine die Arbeit verrichten.
- Schalten Sie die Maschine aus und warten Sie, bis sie vollkommen zum Stillstand gekommen ist, bevor Sie sie ablegen.

## 5. WARTUNG



*Schalten Sie die Maschine vor der Reinigung und Wartung immer aus und ziehen Sie den Netzstecker aus der Steckdose.*

- Reinigen Sie das Gehäuse regelmäßig mit einem weichen Lappen.
- Halten Sie die Belüftungsschlitze staub- und schmutzfrei. Verwenden Sie gegebenenfalls einen weichen feuchten Lappen, um den Staub und Schmutz aus den Belüftungsschlitzen zu entfernen.

### Erneuerung des Zubehörs (Abb. B)

Verschlissenes oder beschädigtes Zubehör muss unverzüglich erneuert werden.



*Verwenden Sie ausschließlich scharfes und unbeschädigtes Zubehör.*

- Um das Zubehör zu entfernen, gehen Sie wie im entsprechenden Abschnitt beschrieben vor.
- Um das Zubehör anzubringen, gehen Sie wie im entsprechenden Abschnitt beschrieben vor.

## UMWELTSCHUTZ



*Schadhafte und/oder zu entsorgende elektrische oder elektronische Werkzeuge und Geräte müssen an den dafür vorgesehenen Recycling-Stellen abgegeben werden.*

### Nur für EG-Länder

Entsorgen Sie Elektrowerkzeuge nicht über den Hausmüll. Entsprechend der EU-Richtlinie 2012/19/EG über Elektro- und Elektronik-Altgeräte sowie der Umsetzung in nationales Recht müssen Elektrowerkzeuge, die nicht mehr im Gebrauch sind, getrennt gesammelt und umweltschonend entsorgt werden.

## GARANTIE

VONROC-Produkte werden nach den höchsten Qualitätsstandards entwickelt und sind für den gesetzlich festgelegten Zeitraum, ausgehend von dem ursprünglichen Kaufdatum, garantiert frei von Fehlern in Material und Ausführung. Sollte das Produkt in diesem Zeitraum aufgrund von Material- und/oder Verarbeitungsmängeln Fehler aufweisen, wenden Sie sich bitte direkt an VONROC Kundendienst.

Folgende Umstände sind von der Garantie ausgeschlossen:

- Reparaturen und oder Änderungen an der Maschine, die durch nicht-autorisierte Servicestellen vorgenommen oder versucht wurden.
- Normale Abnutzung und Verschleiß.
- Das Werkzeug wurde übermäßig beansprucht, missbräuchlich verwendet oder falsch gewartet.
- Es wurden keine Original-Ersatzteile verwendet.

Dies stellt die einzige Gewährleistung des Unternehmens dar, sowohl ausdrücklich als auch implizit. Es gibt keine anderen ausdrücklichen oder stillschweigenden Garantien, die über das hier Genannte hinausgehen, einschließlich der stillschweigenden Garantien der Marktgängigkeit oder Eignung für einen bestimmten Zweck. In keinem Fall ist VONROC haftbar für Neben- oder Folgeschäden. Die Rechtsmittel des Händlers beschränken sich auf Reparatur oder Ersatz fehlerhafter Einheiten oder Teile.

**Am Produkt und am Benutzerhandbuch können Änderungen vorgenommen werden. Die technischen Daten können sich ohne Vorankündigung ändern.**

## 1. VEILIGHEIDSVOORSCHRIFTEN

Lees de bijgesloten veiligheidsvoorschriften, de aanvullende veiligheidsvoorschriften en de instructies. Het niet in acht nemen van de veiligheidsvoorschriften en de instructies kan leiden tot elektrische schok, brand en/of ernstig letsel. Bewaar de veiligheidsvoorschriften en de instructies voor toekomstig gebruik.

De volgende symbolen worden gebruikt in de gebruikershandleiding of op het product:



*Lees de gebruikershandleiding.*



*Gevaar voor persoonlijk letsel.*



*Gevaar voor elektrische schok.*



*Verwijder onmiddellijk de netstekker uit het stopcontact indien de netkabel beschadigd raakt en tijdens reiniging en onderhoud.*



*Gevaar voor rondvliegende voorwerpen. Houd omstanders uit de buurt van het werkgebied.*



*Draag een veiligheidsbril.  
Draag gehoorbescherming.*



*Draag een stofmasker.*



*Variabele elektronische snelheid.*



*Werp het product niet weg in ongeschikte containers.*



*Het product is in overeenstemming met de van toepassing zijnde veiligheidsnormen in de Europese richtlijnen.*

### ALGEMENE VEILIGHEIDSVOORSCHRIFTEN



**WAARSCHUWING! Lees alle veiligheids-waarschuwingen en alle instructies. Het niet opvolgen van onderstaande instructies kan leiden tot een elektrische schok, brand en/of ernstig persoonlijk letsel.**

#### Bewaar deze instructies.

De term "elektrisch gereedschap" in onderstaande waarschuwingen heeft betrekking op zowel apparatuur met een vaste elektriciteitskabel als op apparatuur met een accu (draadloze apparatuur).

### 1) Werkgebied

- a) **Zorg voor een opgeruimde en goed verlichte werkomgeving.** Rommelige en donkere werkomgevingen leiden tot ongelukken
- b) **Gebruik elektrisch gereedschap nooit in een omgeving waar explosiegevaar bestaat, zoals in de nabijheid van ontvlambare vloeistoffen, gassen, dampen of andere stoffen.** Elektrische gereedschappen kunnen vonken veroorzaken, die deze stoffen tot ontbranding kunnen brengen.
- c) **Wanneer u elektrisch gereedschap gebruikt, houd dan kinderen en omstanders op afstand.** Wanneer u wordt afgeleid, kunt u de controle over het gereedschap verliezen.

### 2) Elektrische veiligheid

- a) **Stekkers van elektrische gereedschappen moeten probleemloos passen op het stopcontact. Breng nooit wijzigingen aan in of aan de stekker. Gebruik geen adapters voor geaarde elektrische gereedschappen.** Standaardstekkers en passende stopcontacten verkleinen de kans op een elektrische schok.
- b) **Voorkom lichamelijk contact met geaarde oppervlakken van bijvoorbeeld pijpen, leidingen, radiatoren, fornuizen en koelkasten.** Wanneer uw lichaam geaard is, wordt de kans op een elektrische schok groter.
- c) **Stel elektrische gereedschappen nooit bloot aan regen of vocht.** Wanneer er water binnendringt in een elektrisch gereedschap, wordt de kans op een elektrische schok groter.
- d) **Gebruik het snoer niet om het elektrisch gereedschap te dragen, te verplaatsen of de stekker uit het stopcontact te trekken. Bescherm het snoer tegen olie, warmte, scherpe randen en bewegende delen.** Beschadigde of vastzittende snoeren vergroten de kans op een elektrische schok.
- e) **Wanneer u elektrische gereedschappen buiten gebruikt, gebruik dan een verlengkabel die geschikt is voor buitengebruik.** Door een kabel te gebruiken die geschikt is voor buitengebruik, wordt de kans op een elektrische schok kleiner.
- f) **Gebruik een aardlekbeveiliging (RCD) als niet te voorkomen is dat een power tool moet worden gebruikt in een vochtige omgeving.** Gebruik van een RCD vermindert het risico van elektrische schokken.

### 3) Persoonlijke veiligheid

- a) **Blijf altijd alert, kijk goed wat u doet en gebruik uw gezonde verstand wanneer u een elektrisch gereedschap gebruikt. Gebruik geen elektrische gereedschappen wanneer u moe bent, of drugs, alcohol of medicijnen hebt gebruikt.** Eén moment van onachtzaamheid bij het gebruik van elektrische gereedschappen kan ernstige verwondingen tot gevolg hebben.
- b) **Gebruik persoonlijke beschermingsmiddelen. Draag altijd een veiligheidsbril.** Een gepast gebruik van veiligheidsvoorzieningen, zoals een stof masker, speciale werkschoenen met antislipzolen, een veiligheidshelm en gehoorbescherming verkleinen de kans op persoonlijk letsel.
- c) **Voorkom dat het gereedschap per ongeluk wordt gestart. Zorg dat de schakelaar op de UITpositie staat, voordat u de stekker in het stopcontact steekt.** Draag elektrisch gereedschap nooit met uw vinger op de schakelaar en steek ook nooit de stekker van ingeschakelde elektrische gereedschappen in het stopcontact: dit leidt tot ongelukken.
- d) **Verwijder alle instel en andere sleutels uit het elektrisch gereedschap voordat u hem inschakelt.** Instel en andere sleutels aan een ronddraaiend onderdeel van het elektrisch gereedschap kunnen tot verwondingen leiden.
- e) **Zorg dat u nooit uw evenwicht kunt verliezen; houd altijd twee voeten stevig op de vloer.** Hierdoor kunt u het elektrisch gereedschap in onverwachte situaties beter onder controle houden.
- f) **Zorg dat u geschikte kleding draagt. Draag geen loshangende kleding of sieraden. Houd uw haar, kleding en handschoenen uit de buurt van bewegende delen.** Loshangende kleding, sieraden en lang haar kunnen vast komen te zitten in bewegende delen.
- g) **Wanneer er voorzieningen zijn voor de aansluiting van stofafzuiginstallaties, zorg dan dat ze op de juiste wijze worden aangesloten en gebruikt.** Gebruik van deze voorzieningen vermindert de gevaren die door stof worden veroorzaakt.
- h) **Denk niet dat doordat u gereedschap vaak gebruikt, u wel weet hoe het allemaal werkt en dat u de veiligheidsbeginselen voor het gebruik van het gereedschap wel kunt negeren.** Een onbezonnen actie kan in een fractie van een seconde ernstig letsel tot gevolg hebben.

#### 4) Gebruik en onderhoud van elektrisch gereedschap

- a) **Oefen geen overmatige kracht uit op elektrisch gereedschap. Gebruik het juiste gereedschap voor uw specifieke toepassing.** Met het juiste elektrische gereedschap voert u de taak beter en veiliger uit wanneer dit op de snelheid gebeurt waarvoor het apparaat is ontworpen.
- b) **Gebruik nooit elektrisch gereedschap waarvan de AAN/UITschakelaar niet werkt.** Ieder elektrisch gereedschap dat niet kan worden in en uitgeschakeld met de schakelaar is gevaarlijk en moet worden gerepareerd.
- c) **Trek de stekker uit het stopcontact voordat u wijzigingen aanbrengt aan elektrische gereedschappen, accessoires verwisselt of het elektrisch gereedschap opbergt.** Wanneer u zich aan deze preventieve veiligheidsmaatregelen houdt, beperkt u het risico dat het gereedschap per ongeluk wordt gestart.
- d) **Berg elektrisch gereedschap dat niet in gebruik is op buiten bereik van kinderen en laat personen die niet bekend zijn met het gereedschap of deze instructies het apparaat niet gebruiken.** Elektrisch gereedschap is gevaarlijk in de handen van ongeoefende gebruikers.
- e) **Zorg voor een goed onderhoud van elektrisch gereedschap. Controleer of bewegende delen op de juiste wijze zijn vastgezet. Controleer ook of er geen onderdelen defect zijn of dat er andere omstandigheden zijn die van invloed kunnen zijn op de werking van het gereedschap. Laat het gereedschap bij beschadigingen repareren vóór gebruik.** Veel ongelukken worden veroorzaakt door slecht onderhoud van het gereedschap.
- f) **Zorg dat snij en zaagwerktuigen scherp en schoon blijven.** Goed onderhouden snij en zaagwerktuigen met scherpe randen zullen minder snel vastlopen en zijn eenvoudiger onder controle te houden.
- g) **Gebruik alle elektrische gereedschappen, accessoires, bitjes etc., zoals aangegeven in deze instructies en op de wijze waarvoor het gereedschap is ontworpen. Houd daarbij rekening met de werkomstandigheden en de uit te voeren taak.** Gebruik van elektrisch gereedschap voor handelingen die afwijken van de taken waarvoor het apparaat is ontworpen kunnen leiden tot gevaarlijke situaties.
- h) **Houd handgrepen en greepoppervlakken droog, schoon en vrij van olie en vet.** Gladde

handgrepen en greepoppervlakken maken veilig werken en controle over het gereedschap in onverwachte situaties onmogelijk.

#### 5) Gebruik en onderhoud accugereedschap

- a) **Laad alleen op met de lader die door de fabrikant is gespecificeerd.** Een lader die voor een bepaalde accu geschikt is, kan brand veroorzaken wanneer deze met een andere accu wordt gebruikt.
  - b) **Gebruik elektrisch gereedschap alleen met de speciaal hiervoor bedoelde accu's.** Gebruik van andere accu's kan kans op letsel en brand geven.
  - c) **Wanneer de accu niet in gebruik is, houd deze dan uit de buurt van andere metalen voorwerpen zoals paperclips, munten, sleutels, spijkers, schroeven of andere kleine metalen voorwerpen die een verbinding tussen twee polen kunnen maken.** Kortsluiting tussen de accupolen kan brandwonden of brand veroorzaken.
  - d) **Wanneer de accu niet juist wordt gebruikt, kan er vloeistof uit lopen; raak dit niet aan. Wanneer dit per ongeluk wel gebeurt, spoel dan met water. Wanneer de vloeistof in de ogen komt, moet u een arts raadplegen.** De vloeistof uit de accu kan irritaties of brandwonden veroorzaken.
  - e) **Gebruiken niet een accu of gereedschap dat beschadigd is of gemodificeerd.** Beschadigde of gemodificeerde accu's kunnen onvoorspelbaar gedrag vertonen, wat brand, explosie of een risico van letsel met zich meebrengt.
  - f) **Stel een accu over het gereedschap niet bloot aan open vuur of een uitzonderlijk hoge temperatuur.** Blootstelling aan vuur of een temperatuur hoger dan 130 °C, kan een explosie veroorzaken. NB De temperatuur van "130 °C" kan worden vervangen door de temperatuur van "265 °F".
  - g) **Houd u aan alle instructies voor het laden en laad de accu of het gereedschap niet op buiten het temperatuurbereik dat in de instructies wordt aangeduid.** Op een onjuiste wijze laden of laden bij temperaturen buiten het aangeduide bereik kan de accu beschadigen en het risico van brand doen toenemen.
- #### 6) Service
- a) **Laat uw gereedschap onderhouden door een gekwalificeerde onderhoudstechnicus die alleen gebruikmaakt van identieke vervangingsonderdelen.** Dit zorgt ervoor dat de veiligheid van de power tool intact blijft.

- b) **Voer nooit servicewerkzaamheden uit aan beschadigde accu's.** Alleen de fabrikant of geautoriseerde service-providers mogen servicewerkzaamheden aan accu's uitvoeren.

### AANVULLENDE VEILIGHEIDSVOORSCHRIFTEN VOOR MULTITOOLS



*Het aanraken of inademen van tijdens gebruik vrijkomende stof (bijv. met loodhoudende verf bewerkte oppervlakken, hout en metaal) kan schade toebrengen aan uw gezondheid en de gezondheid van omstanders. Draag altijd geschikte beschermende uitrusting, zoals een stofmasker. Zorg tijdens gebruik altijd voor een goede stofafzuiging.*

- Bewerk geen materialen die asbest bevatten. Asbest wordt als kankerverwekkend beschouwd.
- Bewerk geen metaal met een magnesiumgehalte van meer dan 80%.
- Wees uiterst voorzichtig bij het bewerken van geleverde oppervlakken.
- Gebruik geen accessoires die niet specifiek zijn ontworpen en aanbevolen door de fabrikant. Gevaar voor persoonlijk letsel.
- Controleer de machine en de accessoires voor ieder gebruik. Gebruik geen accessoires die verbogen, vervormd of op andere wijze beschadigd zijn. Indien u de machine of een van de accessoires laat vallen, controleer dan de machine of het accessoire op beschadiging. Vervang indien nodig het accessoire.
- Gebruik uitsluitend accessoires die worden aanbevolen door de fabrikant.
- Gebruik uitsluitend accessoires die geschikt zijn voor de toepassing.
- Gebruik uitsluitend accessoires met de juiste afmetingen.
- Gebruik geen accessoires die koelvloeistoffen vereisen. Gevaar voor elektrische schok.
- Zorg ervoor dat de accessoires juist zijn gemonteerd. Gebruik geen adapters of andere hulpmiddelen om accessoires met een andere asdiameter te monteren.
- Zorg ervoor dat de maximale snelheid van het accessoire groter is dan of gelijk is aan de maximale snelheid van de machine. Zie het typeplaatje op de machine.
- Laat na het monteren van de accessoires de machine onbelast draaien op een veilige plek.

Indien de machine sterk vibreert, schakel dan onmiddellijk de machine uit, verwijder de netstekker uit het stopcontact en probeer het probleem te verhelpen.

- Zorg ervoor dat het werkstuk correct wordt ondersteund of vastgezet.
- Draag een veiligheidsbril. Draag gehoorbescherming. Draag een stofmasker. Gebruik indien nodig andere beschermingsmiddelen, zoals veiligheidshandschoenen, veiligheidsschoenen, etc. Gevaar voor persoonlijk letsel.
- Houd omstanders uit de buurt van het werkgebied. Zorg ervoor dat alle personen in het werkgebied beschermende uitrusting dragen. Gevaar voor persoonlijk letsel.
- Houd het netsnoer uit de buurt van het draaiende accessoire. Indien het netsnoer het draaiende accessoire raakt, kunnen uw handen of armen in contact komen met het accessoire. Gevaar voor persoonlijk letsel.
- Houd de machine vast bij de geïsoleerde oppervlakken van plekken waar het accessoire in contact kan komen met verborgen bedrading of het netsnoer. Indien het accessoire in contact komt met een onder spanning staande draad, kunnen de blootgestelde metalen delen van de machine ook onder spanning komen. Gevaar voor elektrische schok.
- Gebruik de machine niet terwijl u deze naast u draagt. Gevaar voor persoonlijk letsel.
- Gebruik de machine niet in de buurt van brandbare materialen. Brandgevaar.
- Wees erop bedacht dat het accessoire na het uitschakelen van de machine nog korte tijd blijft doordraaien. Probeer niet zelf het accessoire tot stilstand te brengen.
- Plaats de machine nooit op een tafel of een werkbank voordat deze uitgeschakeld is.
- Reinig regelmatig de ventilatieopeningen. Gevaar voor elektrische schok.

### ELEKTRISCHE VEILIGHEID



*Controleer altijd of de spanning van de stroomtoevoer overeenkomt met de spanning op het typeplaatje.*

- Gebruik de machine niet indien het netsnoer of de netstekker zijn beschadigd.
- Gebruik uitsluitend verlengkabels die geschikt zijn voor het vermogen van de machine met een minimale dikte van 1,5 mm<sup>2</sup>. Indien u een



verlengkabelhaspel gebruikt, rol dan altijd de kabel volledig uit.

## 2. TECHNISCHE INFORMATIE

### Bedoeld gebruik

Uw multitool is ontworpen voor lichte schuur-, zaag- en schraapwerkzaamheden.

### TECHNISCHE SPECIFICATIES

Modelnr.	OT502AC / S_OT502AC
Netspanning	220-240 V
Netfrequentie	50 Hz
Ingangsspanning	300 W
Toerental onbelast	0-23.000 /min
Gewicht	1,21 kg
Geluidsdruk (Lpa)	85 dB(A)
Geluidsvermogen (Lwa)	96 dB(A)
Onzekerheid (K)	3 dB(A)
Vibratie (zagen in staal)	7,28 m/s <sup>2</sup>
Onzekerheid (K)	1,5 m/s <sup>2</sup>



*Draag gehoorbescherming.*

### Trillingsniveau

Het trillingsemissieniveau, dat in deze gebruiksaanwijzing wordt vermeld, is gemeten in overeenstemming met een gestandaardiseerde test volgens EN 60745; deze mag worden gebruikt om twee machines met elkaar te vergelijken en als voorlopige beoordeling van de blootstelling aan trilling bij gebruik van de machine voor de vermelde toepassingen

- gebruik van de machine voor andere toepassingen, of met andere of slecht onderhouden accessoires, kan het blootstellingsniveau aanzienlijk verhogen
- wanneer de machine is uitgeschakeld of wanneer deze loopt maar geen werk verricht, kan dit het blootstellingsniveau aanzienlijk reduceren

Bescherm uzelf tegen de gevolgen van trilling door de machine en de accessoires te onderhouden, uw handen warm te houden en uw werkwijze te organiseren.

### BESCHRIJVING

De nummers in de tekst verwijzen naar de diagrammen op pagina 2.

1. Aan/uit-schakelaar
2. Instelwiel toerental
3. Montagepunt voor accessoires
4. Handgreep
5. Snelwissel hendel
6. Koolborstel afdekkap

## 3. ASSEMBLAGE



*Schakel voor assemblage altijd de machine uit en verwijder de netstekker uit het stopcontact.*

De schuurzool en het schuurpapier moeten worden gebruikt voor schuurwerkzaamheden.

### Monteren en verwijderen van accessoires (Fig. B)

- Open de snelwissel hendel (5) en schuif de accessoire naar voren om hem te verwijderen uit de houder.
- Schuif de accessoire in de houder en zet hem vast met de snelwissel hendel (5).

## 4. BEDIENING

### In- en uitschakelen (Fig. A)

- Om de machine in te schakelen, schuift u de aan/uit-schakelaar (1) naar voren.
- Om de machine in te schakelen, schuift u de aan/uit-schakelaar (1) naar achteren.

### Instellen van de snelheid (Fig. A)

Het instelwiel voor het toerental wordt gebruikt voor het instellen van de snelheid. Het instelwiel voor het toerental kan in 6 posities worden ingesteld. De ideale snelheid is afhankelijk van de toepassing en van het te bewerken materiaal.



*Stel de snelheid niet in tijdens gebruik.*

- Draai het instelwiel voor het toerental (2) naar de gewenste positie.

### Aanwijzingen voor optimaal gebruik

- Klem het werkstuk vast. Gebruik een klemrijrichting voor kleine werkstukken.
- Teken een lijn om de richting te bepalen waarin het accessoire moet worden geleid.
- Houd de machine stevig vast bij de handgreep.
- Schakel de machine in.
- Wacht totdat de machine volledig op snelheid is.

- Plaats het accessoire op het werkstuk.
- Beweeg de machine langs de vooraf getekende lijn, waarbij het accessoire stevig tegen het werkstuk wordt gedrukt.
- Oefen niet te veel druk uit op de machine. Laat de machine het werk doen.
- Schakel de machine uit en wacht totdat de machine volledig tot stilstand is gekomen voordat u de machine wegzet.

## 5. ONDERHOUD



*Schakel voor reiniging en onderhoud altijd de machine uit en verwijder de netstekker uit het stopcontact.*

- Reinig regelmatig de behuizing met een zachte doek.
- Houd de ventilatieopeningen vrij van stof en vuil. Gebruik indien nodig een zachte, vochtige doek om stof en vuil uit de ventilatieopeningen te verwijderen.

### Vervangen van de accessoires (Fig. B)

Versleten of beschadigde accessoires moeten onmiddellijk worden vervangen.



*Gebruik uitsluitend scherpe en onbeschadigde accessoires.*

- Ga voor het verwijderen van het accessoire te werk zoals beschreven in het corresponderende gedeelte.
- Ga voor het monteren van het accessoire te werk zoals beschreven in het corresponderende gedeelte.

## MILIEU



*Defecte en/of afgedankte elektrische of elektronische gereedschappen dienen ter verwerking te worden aangeboden aan een daarvoor verantwoordelijke instantie.*

### Uitsluitend voor EG-landen

Werp elektrisch gereedschap niet weg bij het huisvuil. Conform de Europese Richtlijn 2012/19/EG voor Afgedankte Elektrische en Elektronische Apparatuur en de implementatie ervan in nationaal recht moet niet langer te gebruiken elektrisch gereedschap gescheiden worden verzameld en op een milieuvriendelijke wijze worden verwerkt.

## GARANTIE

VONROC producten zijn ontworpen volgens de hoogste kwaliteitsstandaarden en gegarandeerd vrij van defecten, zowel materieel als fabrieksfouten, tijdens de wettelijk vastgestelde garantieperiode vanaf de eerste aankoopdatum. Mocht het product tijdens deze periode gebreken vertonen veroorzaakt door defecte materialen en/of fabrieksfouten, neem dan rechtstreeks contact op met VONROC.

De volgende situaties vallen niet onder de garantie:

- Er zijn reparaties of aanpassingen aan de machine uitgevoerd, of er is een poging daartoe ondernomen, door een nietgeautoriseerd servicecentrum.
- Normale slijtage.
- De machine is misbruikt, verkeerd gebruikt of slecht onderhouden.
- Er zijn niet-originele reserveonderdelen gebruikt

Dit vormt de enige garantie opgesteld door het bedrijf zowel expliciet als impliciet. Er bestaan geen andere garanties expliciet of impliciet welke verder gaan dan deze garantie, inclusief impliciete garanties van verkoopbaarheid en geschiktheid voor bepaalde doeleinden. In geen enkel geval kan VONROC aansprakelijk worden gesteld voor incidentele schade of gevolgschade. Reparaties van dealers zijn gelimiteerd tot de reparatie of vervanging van defecte producten of onderdelen.

**Het product en de gebruikershandleiding zijn onderhevig aan wijzigingen. Specificaties kunnen zonder opgaaf van redenen worden gewijzigd.**

## 1. CONSIGNES DE SÉCURITÉ

Consultez les avertissements de sécurité, les avertissements de sécurité additionnels ainsi que les instructions fournis ici. Le non respect des avertissements de sécurité et des instructions peut occasionner une électrocution, un incendie ou des blessures graves. Conservez les avertissements de sécurité et les instructions pour référence future.

Les symboles suivants sont utilisés dans le manuel d'utilisation ou apposés sur le produit:



Lisez le manuel d'utilisation.



Risque de blessures.



Risque d'électrocution.



Débranchez immédiatement la fiche de la prise secteur si le câble secteur est endommagé ainsi que durant le nettoyage et la maintenance.



Risque de projection d'objets. Maintenez les passants à l'écart de la zone de travail.



Portez des lunettes de protection.  
Portez une protection auditive.



Portez un masque anti-poussière.



Variateur électronique de vitesse.



Ne jetez pas le produit dans des conteneurs qui ne sont pas prévus à cet effet.



Le produit est conforme aux normes de sécurité applicables des directives européennes.

### CONSIGNES GÉNÉRALES DE SÉCURITÉ



**AVERTISSEMENT! Veuillez lire l'intégralité des avertissements de sécurité et des instructions.** Le nonrespect de toutes les instructions indiquées cidessous peut entraîner un risque de choc électrique, d'incendie et/ou de blessures graves.

#### Conservez ces instructions.

Le terme "appareil électrique" mentionné dans tous les avertissements cidessous se rapporte à un appareil électrique qui se branche au réseau électrique (grâce à un câble d'alimentation) ou à un appareil électrique (sans fil) fonctionnant grâce à une batterie.

#### 1) Espace de travail

- a) **Veillez toujours à garder votre espace de travail propre et bien éclairé.** Les espaces mal rangés et sombres peuvent être la cause d'accidents.
- b) **N'utilisez pas les appareils électriques dans des environnements susceptibles d'explosion, par exemple en présence de liquides inflammables, de gaz ou de particules.** Les appareils électriques provoquent des étincelles qui peuvent enflammer les particules des émanations.
- c) **Veillez à garder éloignés les enfants et les personnes se trouvant dans votre voisinage, lors de l'utilisation d'un appareil électrique.** Les distractions peuvent vous faire perdre le contrôle de l'appareil.

#### 2) Mesures de sécurité électriques

- a) **Les prises des appareils électriques doivent être raccordées à la prise murale correspondante. Ne modifiez jamais la prise de l'appareil, de quelque façon que ce soit. N'utilisez pas d'adaptateurs qui mettent les appareils électriques à la terre (mise à la masse).** Des prises non modifiées et branchées à la prise murale correspondante réduiront les risques de choc électrique.
- b) **Évitez le contact direct avec les surfaces mises à la terre ou mises à la masse comme les canalisations, les radiateurs, les cuisinières et les réfrigérateurs.** En effet, le risque de choc électrique s'accroît si votre corps est mis à la terre ou à la masse.
- c) **N'utilisez pas d'outils électriques dans des environnements pluvieux ou humides.** Si de l'eau s'introduit dans un appareil électrique, le risque de choc électrique augmentera.
- d) **N'utilisez pas le câble de manière abusive. N'utilisez jamais le câble pour transporter, tirer ou débrancher l'appareil électrique. Veillez à garder le câble éloigné des sources de chaleur, des huiles, des rebords coupants ou des pièces actionnées.** Les câbles endommagés

ou entremêlés augmentent le risque de choc électrique.

- e) **Lorsque un appareil est utilisé à l'extérieur, utilisez uniquement un câble prolongateur prévu à cet effet.** L'utilisation d'un câble à usage extérieur réduit le risque de choc électrique.
  - f) **Si vous êtes contraint d'utiliser un outil électrique dans un environnement humide, utilisez une alimentation protégée par un dispositif à courant résiduel (RCD).** L'utilisation d'un RCD réduit le risque de décharge électrique.
- 3) Sécurité personnelle**
- a) **Restez vigilant, gardez un œil sur ce que vous faites et utilisez votre sens commun lors de l'utilisation d'un appareil électrique. N'utilisez pas un appareil électrique si vous êtes fatigué ou si vous êtes sous l'influence de drogues, d'alcool ou si vous prenez des médicaments.** Un moment d'inattention lors de l'utilisation des appareils électriques peut entraîner des blessures graves.
  - b) **Utilisez un équipement de protection personnelle. Protégez-vous toujours les yeux.** Les équipements de protection, tels qu'un masque à poussière, des chaussures antidérapantes, des protections auditives ou un casque de sécurité, utilisés dans de bonnes conditions, réduiront le risque de blessures.
  - c) **Prévenez tout démarrage involontaire. Assurez-vous que l'interrupteur est sur la position "arrêt avant de brancher l'appareil.** En effet, le transport des appareils électriques en gardant vos doigts sur l'interrupteur, ou le branchement de ces appareils en ayant l'interrupteur sur "marche accidents.
  - d) **Retirez les clés de réglage ou les clés de vis de réglage avant d'allumer l'appareil électrique.** Une clé de vis de réglage ou une clé, laissée sur une pièce en mouvement de l'appareil électrique, peut entraîner des lésions corporelles.
  - e) **Ne pas se précipiter. Gardez toujours vos pieds à plat et gardez votre équilibre.** Ceci permet de mieux contrôler l'appareil électrique dans des situations imprévues.
  - f) **Habilitez-vous convenablement. Ne portez pas de vêtements lâches ou de bijoux. Gardez vos cheveux, vêtements et gants éloignés des pièces actionnées.** En effet, ces derniers peuvent être pris dans les pièces en action.
  - g) **Si les appareils sont fournis pour la connexion des équipements d'évacuation et de récupération de la poussière, assurez-vous que ces derniers soient correctement connectés et utilisés.** L'utilisation de ces appareils peut réduire les risques liés à la poussière.
  - h) **Ne pensez pas être familiarisé avec l'outil après l'avoir utilisé à de nombreuses reprises, au point de ne plus rester vigilant et d'en oublier les consignes de sécurité.** Toute action imprudente peut engendrer de graves blessures en une fraction de seconde.
- 4) Utilisation et entretien d'un appareil électrique**
- a) **Ne forcez pas l'appareil électrique. Utilisez l'appareil électrique adéquat pour votre application.** Un appareil électrique correctement choisi assurera un meilleur travail et un travail sans danger, au rythme auquel il a été conçu.
  - b) **N'utilisez pas l'appareil électrique si l'interrupteur marche/arrêt ne fonctionne pas.** Un appareil électrique qui ne peut pas être commandé par l'interrupteur de contrôle est dangereux et doit être réparé.
  - c) **Débranchez la prise du bloc d'alimentation avant d'effectuer des réglages, de changer des accessoires, ou de ranger les appareils électriques.** Ces mesures de sécurité préventives réduiront le risque de démarrage involontaire de l'appareil électrique.
  - d) **Rangez les appareils électriques arrêtés hors de la portée des enfants et ne laissez aucune personne, non familiarisée avec l'outil ou ces instructions, utiliser l'appareil électrique.** Les appareils électriques sont dangereux entre les mains d'utilisateurs non formés.
  - e) **Entretenez les appareils électriques. Vérifiez tout défaut d'alignement et l'enchaînement des pièces actionnées, la rupture de ces dernières, et les autres conditions qui peuvent affecter le fonctionnement des appareils électriques. En cas de dommages, faites réparer l'appareil électrique avant de le réutiliser.** Nombreux sont les accidents provoqués par des appareils électriques mal entretenus.
  - f) **Veillez à garder les outils coupants aiguisés et propres.** Des outils coupants correctement entretenus avec des lames aiguisées sont moins susceptibles de se bloquer et sont plus faciles à contrôler.
  - g) **Utilisez l'appareil électrique, les accessoires et les embouts, etc., conformément à ces instructions et de la manière prévue pour le**

**type spécifique de l'appareil électrique, en prenant en compte les conditions de travail et le travail à effectuer.** L'utilisation de l'appareil électrique dans des applications différentes de celles prévues peut entraîner des situations dangereuses.

- h) **Gardez les poignées et les surfaces de préhension sèches, propres et exemptes d'huile et de graisse.** Des poignées et des surfaces de préhension glissantes ne permettent pas de manipuler et de contrôler l'outil correctement en cas de situations inattendues.
- h) **Gardez les poignées et les surfaces de préhension sèches, propres et exemptes d'huile et de graisse.** Des poignées et des surfaces de préhension glissantes ne permettent pas de manipuler et de contrôler l'outil correctement en cas de situations inattendues.
- 5) **Utiliser et soigner les outils à batterie**
- a) **Rechargez la batterie uniquement avec le chargeur spécifié par le fabricant.** Un chargeur adapté à une certaine batterie peut être cause de danger d'incendie quand on l'utilise avec une batterie différente.
- b) **Utilisez chaque outil uniquement avec la batterie conçue pour lui.** L'utilisation de toute autre batterie peut être cause de danger de blessure ou d'incendie.
- c) **Lorsque une batterie n'est pas en usage, gardez-la hors d'atteinte d'objets métalliques tels que les trombones, pièces de monnaie, clés, clous, vis et autres petits objets métalliques pouvant faire le contact entre une borne et l'autre.** Un court-circuit entre les bornes de la batterie peut être cause de brûlures ou d'incendie.
- d) **Dans des circonstances extrêmes, du liquide peut gicler hors de la batterie ; évitez tout contact. En cas de contact accidentel, rincez à l'eau. En cas de contact du liquide avec les yeux, consultez un médecin.** Le liquide qui gicle d'une batterie peut causer irritations ou brûlures.
- e) **N'utilisez pas un bloc-batterie ou un outil endommagé ou modifié.** Une batterie endommagée ou altérée peut avoir un comportement imprévisible qui peut conduire à un incendie, une explosion ou un risque de blessure.
- f) **N'exposez pas le bloc-batterie ou l'outil au feu ou à des températures excessives.** L'exposition au feu ou à des températures dépassant 130 °C peut provoquer une explosion. REMARQUE La

température de "130°C" peut être remplacé par la température de "265°F".

- g) **Respectez les instructions pour la charge et ne rechargez pas le bloc-batterie ou l'outil à une plage de températures hors de celle spécifiée dans les instructions.** Une charge mal effectuée ou à des températures hors de la plage spécifiée peut endommager la batterie et augmente le risque d'incendie.
- 6) **Maintenance**
- a) **L'entretien de votre outil électrique doit être confié à un réparateur qualifié qui utilise uniquement des pièces de rechange identiques aux pièces d'origine.** Cela permet d'assurer la sécurité de l'outil électrique.
- b) **Ne réparez jamais des blocs-batteries endommagés.** Les réparations sur les blocs-batteries ne doivent être effectuées que par le fabricant ou l'un de ses prestataires de services agréés.

## AVERTISSEMENTS DE SÉCURITÉ SUPPLÉMENTAIRES POUR LES MULTI-OUTILS



*Le contact ou l'inhalation de poussière libérée pendant l'utilisation (par ex. surfaces peintes, bois ou métal) peut constituer un danger pour votre santé et celle des personnes à proximité. Portez toujours l'équipement de protection approprié, ainsi un masque anti-poussière. Employez toujours les dispositifs d'aspiration de poussière adaptés pendant l'utilisation.*

- Ne travaillez pas sur des matériaux contenant de l'amiante. L'amiante est considéré comme carcinogène.
- Ne travaillez pas sur un métal présentant un contenu en magnésium supérieur à 80%.
- Faites très attention en travaillant sur des surfaces peintes.
- Utilisez uniquement les accessoires spécifiquement conçus et recommandés par le fabricant. Risque de blessures.
- Inspectez la machine et les accessoires avant chaque usage. N'utilisez pas d'accessoires courbés, fissurés ou autrement endommagés. En cas de chute de la machine ou d'un accessoire, vérifiez l'absence de dégâts. Si nécessaire, remplacez l'accessoire.

- Utilisez uniquement les accessoires recommandés par le fabricant.
- Utilisez uniquement les accessoires adaptés à l'application.
- Utilisez uniquement des accessoires aux dimensions correctes.
- N'utilisez aucun accessoire nécessitant un liquide de refroidissement. Risque d'électrocution.
- Assurez-vous que les accessoires sont correctement montés. N'utilisez pas d'adaptateur ou d'autres dispositifs pour monter des accessoires d'un diamètre d'axe différent.
- Assurez-vous que la vitesse maximum de l'accessoire est supérieure ou égale à celle de la machine. Reportez-vous à la plaque d'identification de la machine.
- Une fois les accessoires en place, laissez la machine tourner sans charge dans une zone sécurisée. En cas de fortes vibrations de la machine, mettez-la immédiatement hors tension, débranchez la fiche de la prise secteur et essayez de résoudre le problème.
- Assurez-vous que la pièce à ouvrir est correctement soutenue ou fixée.
- Portez des lunettes de protection. Portez une protection auditive. Portez un masque anti-poussière. Si nécessaire, utilisez d'autres équipements de protection : gants de sécurité, chaussures de sécurité, etc. Risque de blessures.
- Maintenez les passants à l'écart de la zone de travail. Assurez-vous que quiconque pénètre dans la zone de travail porte un équipement de protection. Risque de blessures.
- Écartez le câble d'alimentation de l'accessoire en rotation. Si le cordon secteur touche l'accessoire en rotation, vos mains ou vos bras peuvent entrer en contact avec l'accessoire. Risque de blessures.
- Tenez la machine par les surfaces de poignée isolées lorsque l'accessoire peut toucher des câblages cachés ou le cordon secteur. Si l'accessoire touche un fil sous tension, les pièces métalliques exposées de la machine peuvent également être sous tension. Risque d'électrocution.
- N'utilisez pas la machine en la tenant à vos côtés. Risque de blessures.
- N'utilisez pas la machine à proximité de matériaux inflammables. Risque d'incendie.
- Après avoir débranché la machine, l'accessoire continue à tourner pendant quelque temps. N'essayez jamais d'immobiliser vous-même l'accessoire.
- Ne posez jamais la machine sur une table ou un établi sans l'avoir mise hors tension.
- Nettoyez régulièrement les orifices d'aération. Risque d'électrocution.

### SÉCURITÉ ÉLECTRIQUE



Vérifiez si la tension d'alimentation électrique correspond bien à celle de la plaque signalétique.

- N'utilisez pas la machine si le câble secteur ou la fiche secteur est endommagé.
- Utilisez uniquement des rallonges adaptées à la puissance nominale de la machine et d'une section minimum de 1,5 mm<sup>2</sup>. Si vous utilisez une bobine de rallonge, déroulez toujours complètement le câble.

## 2. INFORMATIONS RELATIVES À LA MACHINE

### Utilisation prévue

Votre multi-outil a été conçu pour les applications légères de ponçage, de sciage et de décapage.

### SPÉCIFICATIONS TECHNIQUES

N° de modèle	OT502AC / S_OT502AC
Tension secteur	220-240 V
Fréquence secteur	50 Hz
Puissance	300 W
Vitesse à vide	0-23.000 /min
Poids	1,21 kg
Pression acoustique (Lpa)	85 dB(A)
Puissance acoustique (Lwa)	96 dB(A)
Incertitude (K)	3 dB(A)
Vibration (sciage de l'acier)	7,28 m/s <sup>2</sup>
Incertitude (K)	1,5 m/s <sup>2</sup>



Portez une protection auditive.

### Niveau de vibrations

Le niveau de vibrations émises indiqué en ce manuel d'instruction a été mesuré conformément à l'essai normalisé de la norme EN 60745; il peut être utilisé pour comparer plusieurs outils et pour réaliser une évaluation préliminaire de l'exposition aux vibrations lors de l'utilisation de l'outil pour les

applications mentionnées

- l'utilisation de l'outil dans d'autres applications, ou avec des accessoires différents ou mal entretenus, peut considérablement augmenter le niveau d'exposition
- la mise hors tension de l'outil et sa non-utilisation pendant qu'il est allumé peuvent considérablement réduire le niveau d'exposition

Protégez-vous contre les effets des vibrations par un entretien correct de l'outil et de ses accessoires, en gardant vos mains chaudes et en structurant vos schémas de travail.

## DESCRIPTION

Les numéros dans le texte se rapportent aux schémas des page 2.

1. Bouton de marche/arrêt
2. Molette de réglage de vitesse
3. Point de montage des accessoires
4. Poignée
5. Levier de changement rapide
6. Couverture de brosse à charbon

## 3. MONTAGE



*Avant le montage, mettez toujours la machine hors tension et débranchez la fiche de la prise secteur.*

Le patin de ponçage et le papier de ponçage doivent être utilisés pour les applications de ponçage.

### Retirer et installer des accessoires (fig. B)

- Déverrouillez le levier de remplacement rapide (5) et faites glisser l'accessoire vers l'avant pour le retirer du support.
- Glissez l'accessoire dans le support et fixez le levier de remplacement rapide (5).

## 4. FONCTIONNEMENT

### Mise en marche et arrêt (fig. A)

- Pour mettre la machine en marche, avancez le bouton marche/arrêt (1).
- Pour arrêter la machine, reculez l'interrupteur marche/arrêt (1).

### Réglage de la vitesse (fig. A)

La molette de réglage de vitesse sert à ajuster la vitesse. La molette de réglage de vitesse peut adopter 6 positions. La vitesse idéale dépend de l'application et du matériau ouvré.



*Ne réglez pas la vitesse pendant l'utilisation.*

- Sélectionnez la vitesse souhaitée au moyen de la molette de réglage de vitesse (2).

### Conseils pour une utilisation optimale

- Serrez la pièce à ouvrir. Utilisez un appareil de serrage pour les petites pièces.
- Tirez une ligne définissant la direction de guidage de l'accessoire.
- Tenez fermement la machine par la poignée.
- Mettez la machine en marche.
- Attendez que la machine atteigne son régime maximum.
- Placez l'accessoire sur la pièce à ouvrir.
- Déplacez lentement la machine le long de la ligne tracée en appuyant l'accessoire fermement contre la pièce à ouvrir.
- N'exercez pas de pression excessive sur la machine. Laissez la machine faire le travail.
- Éteignez la machine et attendez son immobilisation totale avant de la reposer.

## 5. MAINTENANCE



*Avant le nettoyage et la maintenance, mettez toujours la machine hors tension et débranchez la fiche de la prise secteur.*

- Nettoyez régulièrement le boîtier à l'aide d'un chiffon doux.
- Débarrassez les fentes de ventilation de toute salissure et poussière. Si nécessaire, utilisez un chiffon doux et humide pour retirer la salissure et la poussière des fentes de ventilation.

### Changement d'accessoire (fig. B)

Les accessoires usés ou endommagés doivent être immédiatement remplacés.



*Utilisez uniquement des accessoires aiguisés et en bon état.*

- Pour retirer l'accessoire, procédez selon les indications de la section correspondante.

- Pour monter l'accessoire, procédez selon les indications de la section correspondante.

**Le produit et le manuel d'utilisation sont sujets à modifications. Les spécifications peuvent changer sans préavis.**

## ENVIRONNEMENT



*Les équipements électroniques ou électriques défectueux ou destinés à être mis au rebut doivent être déposés aux points de recyclage appropriés.*

### **Uniquement pour les pays de l'UE**

Ne jetez pas les outils électriques avec les déchets domestiques. Selon la Directive européenne 2012/19/CE relative aux déchets d'équipements électriques et électroniques et sa mise en œuvre dans le droit national, les outils électriques hors d'usage doivent être collectés séparément et mis au rebut de manière écologique.

## GARANTIE

Les produits VONROC sont développés aux plus hauts standards de qualité et ils sont garantis contre les défauts de pièces et de main d'oeuvre pendant la durée légale stipulée à partir de la date d'achat d'origine du produit. En cas d'une quelconque panne du produit pendant cette durée qui serait due à un défaut matériel et/ou de main d'oeuvre, contactez directement VONROC.

Les circonstances suivantes ne sont pas prises en charge par la garantie:

- Des réparations ou altérations ont été effectuées ou tentées sur la machine par un centre de réparation non agréé.
- L'usure normale.
- L'outil a été maltraité, mal utilisé ou mal entretenu.
- Des pièces détachées non d'origine ont été utilisées

Ceci constitue l'unique garantie accordée par la société explicitement ou implicitement. Il n'existe aucune autre garantie, explicite ou implicite, qui peut s'étendre au delà du contenu ici présent, y compris les garanties marchandes ou d'adaptation à des fins particulières. En aucun cas VONROC ne sera tenu responsable de dommages accidentels ou consécutifs. Les solutions proposées par les revendeurs devront se limiter à la réparation ou le remplacement des éléments ou pièces non conformes.



## 1. INSTRUCCIONES DE SEGURIDAD

Lea las advertencias de seguridad, las advertencias de seguridad adicionales y las instrucciones adjuntas. De no respetarse las advertencias de seguridad y las instrucciones, podrían producirse descargas eléctricas, incendios y/o lesiones graves. Conserve las advertencias de seguridad y las instrucciones para su posterior consulta.

Los siguientes símbolos se utilizan en el manual de usuario o en el producto:



Lea el manual de usuario.



Riesgo de lesiones personales.



Riesgo de descarga eléctrica.



Saque inmediatamente el enchufe de la toma si el cable eléctrico resulta dañado y durante la limpieza y el mantenimiento.



Riesgo de objetos volantes. Mantenga a los transeúntes alejados de la zona de trabajo.



Lleve gafas de seguridad.

Lleve protección auditiva.



Lleve una máscara antipolvo.



Velocidad electrónica variable.



No deseche el producto en contenedores no adecuados.



El producto es conforme con las normas de seguridad vigentes en las Directivas Europeas.

### INSTRUCCIONES GENERALES DE SEGURIDAD



**PRECAUCIÓN!** Lea todas las advertencias de seguridad y todas las instrucciones. Si no lo hace, el uso indebido puede acarrear cortocircuitos, fuego o lesiones graves.

#### Conserve estas instrucciones.

El término "herramienta eléctrica", en todas las advertencias enumeradas a continuación se refiere a su herramienta eléctrica (i nalámbtrica) que funciona con una batería o a través de la red eléctrica.

#### 1) Área de trabajo

- Trabaje en un lugar limpio y bien iluminado.** Lugares no iluminados o sucios propician accidentes.
- No use herramientas eléctricas donde haya riesgo de fuego o explosión, p.ej: cerca de líquidos o gases inflamables, polvo etc.** Las herramientas eléctricas producen chispas que pueden producir la ignición de partículas de humo.
- Mantenga a los niños y otras personas alejados mientras utiliza la herramienta eléctrica.** Las distracciones pueden hacer que pierda el control de la herramienta.

#### 2) Seguridad eléctrica

- Cerciórese de que las clavijas de la herramienta eléctrica están correctamente enchufadas. Nunca modifique la clavija. No utilice ningún adaptador para la clavija de una herramienta eléctrica con conexión a tierra.** Las clavijas que no se hayan cambiado y los enchufes adecuados reducen el riesgo de cortocircuitos.
- Evite el contacto humano con superficies con conexiones a tierra como tubos metálicos, conductos, tubos de la calefacción, radiadores y refrigeradores.** El riesgo de cortocircuitos es mayor cuando el cuerpo está en contacto con el suelo.
- No use herramientas eléctricas bajo la lluvia o en entornos húmedos.** Si entra agua en una herramienta eléctrica aumenta el riesgo de cortocircuito.
- No utilice el cable para todo. Nunca utilice el cable para mover la máquina, empujarla o sacar la clavija del enchufe. Mantenga el cable alejado del calor, aceite, zonas cortantes o piezas en movimiento.** Los cables dañados o enredados aumentan el riesgo de cortocircuito.
- Use un cable alargador impermeable adecuado para exteriores cuando trabaje con la herramienta eléctrica al aire libre.** El riesgo de cortocircuito es menor si utiliza un cable alargador adecuado para exteriores.
- Si no se puede evitar el uso de la herramienta eléctrica en un lugar húmedo, use suministro protegido mediante dispositivo diferencial residual (DDR).** El uso de un DDR reduce el riesgo de choque eléctrico.
- No permita que la familiaridad adquirida con el uso frecuente de las herramientas le haga confiarse e ignorar los principios de seguridad de las herramientas.** Una acción descuidada puede cau-

sar lesiones graves en una fracción de segundo.

### 3) Seguridad personal

- a) **No se descuide, preste atención a lo que está haciendo y utilice el sentido común mientras trabaje con esta herramienta. No use herramientas eléctricas cuando esté cansado o esté bajo los efectos del alcohol, las drogas o los medicamentos.** Un momento de distracción, mientras utilice la herramienta eléctrica, puede provocar lesiones personales graves.
  - b) **Use equipo de protección individual. Use siempre gafas protectoras.** El uso en condiciones apropiadas del equipo de seguridad como por ejemplo: mascarilla antipolvo, zapatos antideslizantes de seguridad, casco o protección para los oídos, disminuye el riesgo de sufrir lesiones personales.
  - c) **Evite arranques involuntarios. Asegúrese de que el interruptor está en la posición de apagado antes de conectarlo a la fuente de electricidad.** Transportar herramientas eléctricas con el dedo puesto sobre el interruptor o enchufarlas con el interruptor encendido puede causar accidentes.
  - d) **Quite cualquier llave de ajuste antes de encender la herramienta eléctrica.** Una llave olvidada junto a una pieza móvil de la herramienta eléctrica puede provocar lesiones personales graves.
  - e) **No se estire demasiado. Mantenga siempre el equilibrio y tenga los pies en el suelo.** Esto permite un mayor control de la herramienta eléctrica en situaciones inesperadas.
  - f) **Vístase apropiadamente. No lleve prendas holgadas o joyas. Mantenga su pelo, ropa y guantes alejados de las piezas móviles.** Las prendas holgadas, las joyas y el pelo largo pueden quedar atrapados en las piezas móviles.
  - g) **Si se han suministrado dispositivos para la extracción y recogida de polvo asegúrese de que estos estén conectados y se utilicen correctamente.** El uso de estos dispositivos puede reducir los riesgos relacionados con el polvo.
  - h) **Mantenga las asas y las superficies de agarre secas, limpias y libres de aceite y grasa.** Las asas y las superficies de agarre resbaladizas no permiten un manejo y control seguros de la herramienta en situaciones inesperadas.
- 4) Utilización y cuidados de la herramienta eléctrica**
- a) **No fuerce la herramienta eléctrica. Utilice la herramienta eléctrica adecuada para el trabajo que vaya a realizar.** Una herramienta eléctrica apropiada realizará un trabajo mejor y más seguro si se utiliza para el objetivo con el que ha sido diseñada.
  - b) **No use herramientas que no pueden encenderse o apagarse con el interruptor.** Las herramientas que ya no se puedan encender y apagar son peligrosas y deben repararse.
  - c) **Desenchufe la clavija de la toma de electricidad antes de realizar modificaciones, cambiar accesorios o guardar las herramientas eléctricas.** Tales medidas de seguridad preventivas reducen el riesgo de la puesta en marcha accidental.
  - d) **Mantenga a los niños alejados de una herramienta eléctrica sin utilizar y no permita a personas que no estén familiarizadas con la máquina o estas instrucciones utilizar la herramienta.** La herramienta eléctrica puede ser peligrosa cuando la utilicen personas sin experiencia.
  - e) **Conserve sus herramientas cuidadosamente. Verifique cualquier desalineación o agarrotamiento de piezas móviles, piezas dañadas y cualquier otra causa, que pudiera repercutir en el buen funcionamiento de la herramienta eléctrica. Si la herramienta está estropeada, repárela antes de utilizarla.** Muchos de los accidentes están causados por un mantenimiento insuficiente del equipo eléctrico.
  - f) **Mantenga las herramientas de corte limpias y afiladas.** Sierras con esquinas cortantes con un buen mantenimiento se bloquean menos y son más fáciles de controlar.
  - g) **Utilice la herramienta eléctrica, accesorios y brocas etc. Siguiendo las instrucciones atendiendo al tipo de herramienta eléctrica y tenga en cuenta las condiciones de trabajo y el tipo de trabajo que se va a realizar.** Puede ser peligroso realizar trabajos con la herramienta diferentes de aquellos para los que está diseñada.
- 5) Uso y cuidado de las herramientas alimentadas por batería**
- a) **Recargue las baterías únicamente con el cargador recomendado por el fabricante.** Un cargador que es apto para un tipo de baterías determinado puede provocar riesgo de incendio si se usa para cargar otra clase de baterías.
  - b) **Use las herramientas eléctricas sólo con las baterías indicadas específicamente.** El uso de otra clase de baterías diferente puede ocasionar el riesgo de derivar en lesiones o un incendio.
  - c) **Cuando el paquete de baterías no esté en uso,**

**consérvelo retirado de objetos metálicos como sujetapapeles, monedas, llaves, clavos, tornillos o cualquier otro objeto metálico pequeño que pueda hacer puente entre las terminales.**

El contacto entre las terminales de la batería puede causar quemaduras o incendio.

- d) **Bajo condiciones extremas de abuso la batería podría expulsar un líquido; evite todo contacto. Si se produce contacto accidentalmente, lávese bien con agua. Si el líquido hace contacto con los ojos, consulte también al médico.**

El líquido emanado de la batería puede causar irritaciones o quemaduras.

- e) **No utilice una batería o una herramienta que esté dañada o modificada.** Las baterías dañadas o modificadas pueden presentar un comportamiento impredecible y provocar un incendio, una explosión o riesgo de lesiones.
- f) **No exponga una batería o una herramienta al fuego o a temperatura excesiva.** La exposición al fuego o a temperaturas superiores a 130 °C puede provocar una explosión.  
NOTA La temperatura "130 °C" puede sustituirse por la temperatura "265 °F".
- g) **Siga todas las instrucciones de carga y no cargue la batería o la herramienta fuera del rango de temperatura especificado en las instrucciones.** La carga incorrecta o a temperaturas fuera del rango especificado puede causar daños a la batería y aumentar el riesgo de incendio.

## 6) Servicio

- a) **Haga reparar su herramienta eléctrica por una persona cualificada, usando solo piezas de repuesto idénticas.** Esto garantiza que se mantenga la seguridad de la herramienta eléctrica.
- b) **Nunca repare las baterías dañadas.** El mantenimiento de las baterías debe ser realizado solo por el fabricante o los proveedores de servicio autorizados.

## ADVERTENCIAS DE SEGURIDAD ADICIONALES PARA MULTIHERRAMIENTAS



*El contacto o la inhalación del polvo liberado durante el uso (p. ej. superficies con pintura con plomo, madera y metal) puede poner en peligro su salud y la de las personas a su alrededor. Lleve siempre los equipos de protección adecuados, como una máscara antipolvo. Utilice siempre una extracción de polvo adecuada durante el uso.*

- No trabaje con materiales que contengan amianto. El amianto se considera cancerígeno.
- No trabaje metal con un contenido de magnesio superior al 80%.
- Tenga mucho cuidado al trabajar superficies pintadas.
- No utilice accesorios que no hayan sido específicamente diseñados y recomendados por el fabricante. Riesgo de lesiones personales.
- Inspeccione la máquina y los accesorios antes de cada uso. No utilice accesorios que estén doblados, agrietados o dañados de algún otro modo. Si la máquina o uno de los accesorios se cae, inspeccione la máquina o el accesorio para comprobar si hay daños. En caso necesario, sustituya el accesorio.
- Utilice únicamente accesorios recomendados por el fabricante.
- Utilice únicamente accesorios que sean adecuados para la aplicación.
- Utilice únicamente accesorios con las dimensiones correctas.
- No utilice accesorios que requieran refrigerantes líquidos. Riesgo de descarga eléctrica.
- Asegúrese de que los accesorios estén correctamente montados. No utilice adaptadores ni otras ayudas para montar accesorios con un diámetro de eje diferente.
- Asegúrese de que la velocidad máxima del accesorio sea mayor o igual que la velocidad máxima de la máquina. Consulte la placa de características de la máquina.
- Deje que la máquina funcione sin carga en una zona segura tras el montaje de los accesorios. Si la máquina vibra mucho, apáguela inmediatamente, saque el enchufe de la toma e intente solucionar el problema.
- Asegúrese de que la pieza de trabajo esté debidamente apoyada o fijada.
- Lleve gafas de seguridad. Lleve protección auditiva. Lleve una máscara antipolvo. En caso necesario, utilice otros medios de protección, como guantes de seguridad, calzado de seguridad, etc. Riesgo de lesiones personales.
- Mantenga a los transeúntes alejados de la zona de trabajo. Asegúrese de que todas las personas en la zona de trabajo lleven equipos de protección. Riesgo de lesiones personales.
- Mantenga el cable eléctrico alejado del accesorio giratorio. Si el cable eléctrico toca el accesorio giratorio, las manos o los brazos podrían

entrar en contacto con el accesorio. Riesgo de lesiones personales.

- Sujete la máquina por las superficies de agarre aisladas cuando el accesorio pueda entrar en contacto con cables ocultos o el cable eléctrico. Si el accesorio entra en contacto con un cable con corriente, las partes metálicas expuestas de la máquina también pueden tener corriente. Riesgo de descarga eléctrica.
- No utilice la máquina cuando la lleve a su lado. Riesgo de lesiones personales.
- No utilice la máquina cerca de materiales inflamables. Riesgo de incendio.
- Tenga en cuenta que después de apagar la máquina, el accesorio continúa girando durante un corto periodo de tiempo. Nunca intente hacer que se detenga el accesorio.
- Nunca ponga la máquina sobre una mesa o un banco de trabajo sin haberla desconectado previamente.
- Limpie periódicamente las ranuras de ventilación. Riesgo de descarga eléctrica.

### Seguridad eléctrica



*Compruebe siempre que la tensión del suministro eléctrico corresponda con la tensión de la placa de características.*

- No utilice la máquina si el cable o el enchufe eléctrico han sufrido daños.
- Utilice únicamente cables alargadores que sean adecuados para la potencia nominal de la máquina con un grosor mínimo de 1,5 mm<sup>2</sup>. Si utiliza un cable alargador en rollo, desenrolle totalmente el cable.

## 2. INFORMACIÓN DE LA MÁQUINA

### Uso previsto

La multiherramienta se ha diseñado para aplicaciones ligeras de lijado, serrado y decapado.

### ESPECIFICACIONES TÉCNICAS

Modelo n.º	OT502AC / S_OT502AC
Tensión de red	220-240 V
Frecuencia de red	50 Hz
Entrada de alimentación	300 W
Velocidad sin carga	0-23.000 /min
Peso	1.21 kg

Presión acústica (Lpa)	85 dB(A)
Potencia acústica (Lwa)	96 dB(A)
Incertidumbre (K)	3 dB(A)
Vibración (serrado en acero)	7.28 m/s <sup>2</sup>
Incertidumbre (K)	1.5 m/s <sup>2</sup>



*Lleve protección auditiva.*

### Nivel de vibración

El nivel de emisión de vibraciones indicado en este manual de instrucciones ha sido medido según una prueba estándar proporcionada en EN 60745; puede utilizarse para comparar una herramienta con otra y como valoración preliminar de la exposición a las vibraciones al utilizar la herramienta con las aplicaciones mencionadas

- al utilizarla para distintas aplicaciones o con accesorios diferentes o con un mantenimiento deficiente, podría aumentar de forma notable el nivel de exposición
- en las ocasiones en que se apaga la herramienta o cuando está funcionando pero no está realizando ningún trabajo, se podría reducir el nivel de exposición de forma importante

Protéjase contra los efectos de la vibración realizando el mantenimiento de la herramienta y sus accesorios, manteniendo sus manos calientes y organizando sus patrones de trabajo.

### DESCRIPCIÓN

Los números del texto se refieren a los diagramas en la página 2.

1. Interruptor de encendido/apagado
2. Rueda de ajuste de velocidad
3. Punto de montaje para accesorios
4. Empuñadura
5. Palanca de cambio rápido
6. Cubierta del cepillo de carbón

## 3. MONTAJE



*Antes del montaje, apague siempre la máquina y saque el enchufe de la toma.*

La almohadilla de lijado y el papel de lija deben utilizarse para aplicaciones de lijado.

**Quitar y montar accesorios (Imagen B)**

- Quite el tornillo de cambio rápido (5) y deslice el accesorio para sacarlo del soporte.
- Coloque el accesorio sobre el soporte y apriete el tornillo de cambio rápido (5)

**4. FUNCIONAMIENTO****Encendido y apagado (fig. A)**

- Para encender la máquina, deslice el interruptor de encendido/apagado (1) hacia delante.
- Para apagar la máquina, deslice el interruptor de encendido/apagado (1) hacia atrás.

**Ajuste de la velocidad (fig. A)**

La rueda de ajuste de velocidad se utiliza para ajustar la velocidad. La rueda de ajuste de velocidad puede situarse en 6 posiciones.

La velocidad ideal depende de la aplicación y del material que va a trabajarse.



*No ajuste la velocidad durante el uso.*

- Gire la rueda de ajuste de velocidad (2) a la posición deseada.

**Consejos para un uso óptimo**

- Fije la pieza de trabajo. Utilice un dispositivo de fijación para piezas de trabajo pequeñas.
- Trace una línea para definir la dirección en la que guiar el accesorio.
- Sujete la máquina firmemente por la empuñadura.
- Encienda la máquina.
- Espere hasta que la máquina alcance la máxima velocidad.
- Coloque el accesorio sobre la pieza de trabajo.
- Mueva lentamente la máquina por la línea pre-trazada, presionando firmemente el accesorio contra la pieza de trabajo.
- No aplique demasiada presión sobre la máquina. Deje que la máquina haga el trabajo.
- Apague la máquina y espere que ésta se detenga completamente antes de dejarla.

**5. MANTENIMIENTO**

*Antes de la limpieza y el mantenimiento, apague siempre la máquina y saque el enchufe de la toma.*

- Limpie la carcasa periódicamente con un paño suave.
- Mantenga las ranuras de ventilación libres de polvo y suciedad. En caso necesario, utilice un paño suave humedecido para eliminar el polvo y la suciedad de las ranuras de ventilación.

**Sustitución de los accesorios (fig. B)**

Los accesorios desgastados o dañados deben sustituirse de inmediato.



*Utilice sólo accesorios afilados y sin daños.*

- Para retirar el accesorio, proceda como se describe en la sección correspondiente.
- Para montar el accesorio, proceda como se describe en la sección correspondiente.

**MEDIO AMBIENTE**

*Los aparatos eléctricos o electrónicos defectuosos y/o desechados deben recogerse en lugares de reciclado apropiado.*

**Sólo para países CE**

No deseche las herramientas eléctricas con los residuos domésticos. De conformidad con la Directiva Europea 2012/19/EU sobre residuos de aparatos eléctricos y electrónicos y su implementación en el derecho nacional, las herramientas eléctricas que dejen de funcionar deben recogerse por separado y desecharse de forma respetuosa con el medio ambiente.

**CONDICIONES DE GARANTÍA**

Los productos VONROC han sido desarrollados con los más altos estándares de calidad y VONROC garantiza que están exentos de defectos relacionados con los materiales y la fabricación durante el periodo legalmente estipulado, a contar desde la fecha de compra original. En caso de que el producto presente defectos relacionados con los materiales y/o la fabricación durante este periodo, póngase directamente en contacto VONROC.

La presente garantía se excluye en los siguientes casos:

- Si centros de servicios no autorizados han realizado o han intentado realizar reparaciones y/o alteraciones a la máquina.

- Si se ha producido un desgaste normal.
- Si la herramienta ha sido mal tratada o usada en modo impropio, o se ha realizado incorrectamente su mantenimiento.
- Si se han utilizado piezas de repuesto no originales.

La presente constituye la única garantía implícita y explícita que ofrece la compañía. No existen otras garantías explícitas o implícitas que excedan las citadas aquí, incluidas las garantías implícitas de comerciabilidad e idoneidad para una finalidad en especial. VONROC no será considerada responsable en ningún caso por daños incidentales o consecuentes. Los recursos a disposición de los distribuidores se limitan a la reparación o a la sustitución de las unidades o piezas no conformes.

**El producto y el manual de usuario están sujetos a variaciones. Las especificaciones pueden variarse sin previo aviso.**

## 1. ISTRUZIONI DI SICUREZZA

Leggere accuratamente gli avvisi di sicurezza, gli avvisi di sicurezza aggiuntivi e le istruzioni. La mancata osservanza degli avvisi di sicurezza e delle istruzioni potrebbe causare scosse elettriche, incendio e/o gravi lesioni. Mantenere gli avvisi di sicurezza e le istruzioni a portata di mano per future consultazioni.

I seguenti simboli sono utilizzati nel presente manuale utente o sul prodotto:



*Leggere il manuale utente.*



*Pericolo di lesioni personali.*



*Pericolo di scosse elettriche.*



*Disconnettere immediatamente la spina di alimentazione dalla rete elettrica qualora il cavo di alimentazione risulti danneggiato e durante ogni operazione di pulitura e manutenzione.*



*Pericolo di espulsione di frammenti ad alta velocità. Mantenere gli astanti a sufficiente distanza dall'area di lavoro.*



*Indossare occhiali di protezione.  
Indossare protezioni per l'udito.*



*Indossare una mascherina anti-polvere.*



*Velocità elettronica variabile.*



*Non smaltire il prodotto in contenitori non idonei.*



*Il prodotto è conforme agli standard pertinenti in materia di sicurezza previsti dalla legislazione Europea.*

### REGOLE GENERALI DI SICUREZZA



**ATTENZIONE! Leggere tutte le avvertenze di sicurezza e tutte le istruzioni.** Se non si seguono tutte le istruzioni sotto elencate, si può incorrere in uno shock elettrico, in un incendio e/o in lesioni serie.

### Conservare queste istruzioni.

Il termine "arnese elettrico" in tutti gli avvertimenti sotto elencati si riferisce al vostro arnese elettrico che funziona a corrente (con filo) o ad un arnese che funziona a pile (senza filo).

#### 1) Area di lavoro

- a) **Mantenere l'area di lavoro pulita e ben illuminata.** Aree buie e disordinate favoriscono gli incidenti.
- b) **Non usare arnesi elettrici in atmosfere esplosive, come vicino ai liquidi infiammabili, gas o polveri.** Gli arnesi elettrici creano scintille che possono incendiare la polvere dei vapori.
- c) **Tenere lontani bambini e altre persone mentre si accende l'arnese elettrico.** Le distrazioni possono farvi perdere il controllo.

#### 2) Sicurezza elettrica

- a) **Le spine dell'arnese elettrico devono andare bene per la presa di corrente. Non modificare mai la spina in alcun modo. Non usare alcun adattatore con arnesi elettrici a terra (messo a terra).** Spine non modificate che vanno bene per le prese di corrente ridurranno il rischio di shock elettrico.
- b) **Evitare il contatto corporeo con superfici a terra come tubature, radiatori, fornelli e refrigeratori.** C'è un rischio maggiore di shock elettrico se il vostro corpo è a terra.
- c) **Non esporre arnesi elettrici alla pioggia o a condizioni di umidità.** Se dell'acqua penetra nell'arnese elettrico aumenterà il rischio di shock elettrico.
- d) **Non abusare del filo. Non usare mai il filo per trasportare, spingere o staccare dalla presa l'arnese elettrico. Tenere il filo lontano da calore, olio, bordi taglienti o parti mobili.** Fili danneggiati o aggrovigliati aumentano il rischio di shock elettrico.
- e) **Quando si accende un arnese elettrico all'aperto, usare una prolunga adatta a tale uso.** Usare un filo adatto all'uso all'aperto ridurrà il rischio di shock elettrico.
- f) **Se non è possibile evitare l'uso di un elettroutensile in ambiente umido, usare una rete di alimentazione protetta da un interruttore differenziale (salvavita).** L'uso di un salvavita riduce il rischio di scosse elettriche.

#### 3) Sicurezza personale

- a) **Stare vigili e attento quando si accende un arnese elettrico. Non usare un arnese elettrico**

**mentre si è stanco o sotto l'effetto di droghe, alcool o medicinali.** Un momento di disattenzione mentre si accendono arnesi elettrici può causare delle gravi lesioni personali.

- b) **Usare dispositivi di protezione individuale. Indossare sempre una protezione per gli occhi.** Dispositivi di sicurezza come mascherina per la polvere, scarpe di sicurezza antiscivolo, casco, o protezioni per le orecchie usate nelle appropriate condizioni, ridurranno le lesioni personali.
  - c) **Prevenire l'avvio accidentale. Assicurarsi che l'interruttore sia spento prima di collegarsi.** Trasportare elettroutensili tenendo il dito sull'interruttore di accensione o dare corrente ad elettroutensili con l'interruttore acceso può dare luogo a incidenti.
  - d) **Rimuovere ogni chiave regolatrice o chiave per dadi prima di accendere l'arnese elettrico.** Una chiave per dadi o una chiave lasciata attaccata ad una parte rotante dell'arnese elettrico può provocare lesioni personali.
  - e) **Cercare di mantenere l'equilibrio. Mantenere sempre un punto d'appoggio appropriato.** Questo consente un controllo migliore dell'arnese elettrico in situazioni inaspettate.
  - f) **Vestirsi adeguatamente. Non indossare vestiti larghi o gioielli. Tenere lontano capelli, gioielli o guanti dalle parti mobili.** Vestiti larghi, gioielli o capelli lunghi possono essere presi nelle parti mobili.
  - g) **Se vengono forniti dispositivi per la connessione dell'estrazione della polvere e attrezzature di raccolta, assicurarsi che questi siano collegati e usati correttamente.** L'uso di questi dispositivi può ridurre i rischi correlati alla polvere.
  - h) **Non lasciare che la confidenza acquisita dall'uso frequente induca l'utilizzatore ad assumere comportamenti imprudenti e a ignorare i principi di sicurezza per l'utensile.** Una semplice distrazione può provocare gravi lesioni personali in una frazione di secondo.
- #### 4) Uso e manutenzione dell'arnese elettrico
- a) **Non forzare l'arnese elettrico. Usare l'arnese elettrico corretto per il vostro impiego.** L'arnese elettrico corretto farà il lavoro meglio e in maniera più sicura alla velocità per la quale è stato progettato.
  - b) **Non usare l'arnese elettrico se l'interruttore non si accende o non si spegne.** Ogni arnese elettrico che non può essere controllato con l'interruttore

- è pericoloso e deve essere riparato.
- c) **Scollare la spina dalla sorgente di elettricità prima di fare qualsiasi regolazione, cambiare gli accessori, o conservare arnesi elettrici.** Tali misure di sicurezza preventive riducono il rischio di accendere l'arnese elettrico accidentalmente.
  - d) **Conservare gli arnesi elettrici inattivi fuori dalla portata dei bambini e non permettere a persone che non hanno confidenza con l'arnese elettrico o con queste istruzioni di usare l'arnese elettrico.** Gli arnesi elettrici sono pericolosi per utenti inesperti.
  - e) **Mantenere gli arnesi elettrici. Controllare il non allineamento o l'attacco di parti mobili, la rottura di parti ed ogni altra condizione che può influire sul funzionamento degli arnesi elettrici. Se è danneggiato, far riparare l'arnese elettrico prima dell'uso.** Molti incidenti sono causati da arnesi elettrici mantenuti male.
  - f) **Mantenere gli arnesi da taglio affilati e puliti.** È meno probabile che si attacchino degli arnesi da taglio mantenuti correttamente con tagli affilate e questi sono anche più facili da controllare.
  - g) **Usare l'arnese elettrico, gli accessori e le parti dell'arnese ecc, secondo queste istruzioni e nel modo pensato per il particolare tipo di arnese elettrico, tenendo conto delle condizioni di lavoro e del lavoro da svolgere.** L'uso dell'arnese elettrico per operazioni diverse da quelle pensate potrebbe causare situazioni pericolose.
  - h) **Mantenere le impugnature e le superfici di presa asciutte, pulite e libere da olio e grasso.** Impugnature e superfici di presa scivolose non consentono di maneggiare e controllare in sicurezza l'utensile in situazioni impreviste.
- 5) Uso e manutenzione dell'utensile a batteria**
- a) **Ricaricare l'apparecchio esclusivamente con il caricabatterie specificato dal fabbricante.** Se si utilizza un caricabatterie di diverso tipo potrebbero verificarsi incendi.
  - b) **Utilizzare gli utensili elettrici solo con i pacchi batterie appositamente prescritti.** L'uso di pacchi batterie di diverso tipo aumenta il rischio di infortunio o incendio.
  - c) **Quando il pacco batterie non è in uso, tenerlo lontano da oggetti metallici quali fermagli, monete, chiavi, chiodi, viti o altri piccoli oggetti metallici che potrebbero mettere in collegamento i due poli.** Se i poli vengono messi in corto circuito, la batteria potrebbe emettere scintille o fiammate.
  - d) **In condizioni di uso scorretto, la batteria potrebbe emettere liquido: evitare pertanto di entrarvi in contatto. In caso di contatto accidentale, risciacquare con acqua. Se il liquido entra a contatto con gli occhi, consultare immediatamente un medico.** Il liquido emesso dalla batteria può causare irritazioni o ustioni.
  - e) **Non utilizzare un pacco batterie o l'utensile se danneggiati o manomessi.** Pacchi batterie danneggiati o manomessi potrebbero avere comportamenti imprevisti con il rischio di incendiarsi, esplodere o provocare lesioni a persone.
  - f) **Non esporre un pacco batterie o l'utensile alle fiamme o a temperature eccessivamente elevate.** L'esposizione alle fiamme o a temperature superiori a 130 °C potrebbe provocare un'esplosione. NOTA: la temperatura di "130 °C" corrisponde a "265 °F".
  - g) **Seguire tutte le istruzioni per la ricarica e non caricare il pacco batterie o l'utensile a temperature che non rientrino nell'intervallo specificato nelle istruzioni.** Se si effettua la ricarica in modo improprio o a temperature non comprese nell'intervallo specificato, il pacco batterie potrebbe subire danni e potrebbe aumentare il rischio di incendi.
- 6) Riparazione**
- a) **L'assistenza per l'elettroutensile deve essere prestata da un tecnico qualificato che utilizzi soltanto ricambi originali.** In questo modo viene garantita la sicurezza dell'elettroutensile.
  - b) **Non tentare di riparare pacchi batterie danneggiati.** La riparazione dei pacchi batteria deve essere effettuata esclusivamente dal produttore o presso centri di assistenza autorizzati.

#### AVVISI DI SICUREZZA AGGIUNTIVI PER ELETTROUTENSILI MULTIUSO



*Il contatto o l'inalazione delle polveri prodotte durante l'uso (es.: superfici trattate con vernici al piombo, legno e metallo) possono risultare nocivi per la salute dell'utente e degli astanti nelle vicinanze. Indossare sempre adeguati accessori protettivi, come ad esempio una maschera antipolvere. Utilizzare sempre un adeguato sistema di aspirazione delle polveri durante l'uso.*



- Non operare su materiali contenenti amianto. L'amianto è una sostanza considerata cancerogena.
- Non lavorare metalli con contenuto di magnesio superiore all'80%.
- Porre estrema attenzione nel lavorare su superfici verniciate.
- Non utilizzare accessori non specificatamente progettati e raccomandati dal fabbricante. Pericolo di lesioni personali.
- Prima di ogni uso, ispezionare l'elettrotensile e gli accessori. Non utilizzare accessori deformati, spezzati o altrimenti danneggiati. In caso di caduta dell'elettrotensile o di uno degli accessori, controllare accuratamente che non mostrino segni di danni. Se necessario, sostituire l'accessorio.
- Utilizzare esclusivamente accessori raccomandati dal fabbricante.
- Utilizzare esclusivamente accessori adeguati all'applicazione.
- Utilizzare esclusivamente accessori della corretta dimensione.
- Non utilizzare accessori che richiedono refrigeranti liquidi. Pericolo di scosse elettriche.
- Assicurarsi che gli accessori siano montati correttamente. Non utilizzare adattatori o altri elementi ausiliari per montare accessori con diverso diametro dell'alberino.
- Verificare che la massima velocità dell'accessorio sia superiore o uguale alla massima velocità dell'elettrotensile. Consultare la targhetta nominale dell'elettrotensile.
- Azionare l'elettrotensile in assenza di carico in un'area sicura dopo il montaggio degli accessori. Se l'elettrotensile vibra eccessivamente, spegnerlo immediatamente, disconnettere la spina di alimentazione dalla rete elettrica e tentare di risolvere il problema.
- Verificare che il pezzo in lavorazione sia sostenuto o fissato correttamente.
- Indossare occhiali di protezione. Indossare protezioni per l'udito. Indossare una mascherina anti-polvere. Se necessario, utilizzare accessori protettivi, come guanti di sicurezza, scarpe di sicurezza, ecc. Pericolo di lesioni personali.
- Mantenere gli astanti a sufficiente distanza dall'area di lavoro. Assicurarsi che tutte le persone presenti nell'area di lavoro indossino accessori protettivi. Pericolo di lesioni personali.
- Mantenere il cavo di alimentazione a distanza dall'accessorio rotante. Qualora il cavo di alimen-

tazione toccasse l'accessorio rotante, le mani o le braccia potrebbero entrare in contatto con l'accessorio stesso. Pericolo di lesioni personali.

- Nei punti in cui l'accessorio può entrare in contatto con fili elettrici nascosti o con il cavo di alimentazione, sostenere l'elettrotensile mediante l'apposita impugnatura isolante. Se l'accessorio entra in contatto con un filo elettrico sotto tensione, è possibile che anche le parti metalliche esposte dell'elettrotensile entrino sotto tensione. Pericolo di scosse elettriche.
- Non utilizzare l'elettrotensile mentre viene trasportato al proprio fianco. Pericolo di lesioni personali.
- Non utilizzare l'elettrotensile in prossimità di materiali infiammabili. Pericolo d'incendio.
- Porre attenzione poiché l'accessorio continuerà a ruotare per un breve periodo dopo lo spegnimento dell'elettrotensile. Non tentare di arrestare manualmente la rotazione dell'accessorio.
- Non porre mai l'elettrotensile su un tavolo o un banco da lavoro senza averlo precedentemente spento.
- Pulire regolarmente le feritoie di ventilazione. Pericolo di scosse elettriche.

#### Sicurezza elettrica



*Controllare sempre che la tensione di alimentazione corrisponda alla tensione indicata sulla targhetta delle caratteristiche.*

- Non utilizzare l'elettrotensile quando il cavo o la spina di alimentazione sono danneggiati.
- Utilizzare esclusivamente cavi di prolunga idonei per la potenza nominale dell'elettrotensile, con conduttori di sezione minima di 1,5 mm<sup>2</sup>. Quando si utilizza un cavo di prolunga con avvolgicavo, svolgere sempre completamente il cavo.

## 2. INFORMAZIONI RELATIVE ALL'ELETTROTENSILE

#### Uso previsto

L'elettrotensile multiuso è stato progettato per applicazioni leggere di levigatura, segatura e raschiatura.

**DATI TECNICI**

<b>Numero modello</b>	<b>OT502AC / S_OT502AC</b>
Tensione di alimentazione	220-240 V
Frequenza di alimentazione	50 Hz
Potenza assorbita	300 W
Velocità a vuoto	0-23.000 /min
Peso	1.21 kg
Pressione sonora (Lpa)	85 dB(A)
Potenza acustica (Lwa)	96 dB(A)
Incertezza (K)	3 dB(A)
Vibrazione (segare l'acciaio)	7.28 m/s <sup>2</sup>
Incertezza (K)	1.5 m/s <sup>2</sup>



*Indossare protezioni per l'udito.*

**Livello delle vibrazioni**

Il livello di emissione delle vibrazioni indicato sul retro di questo manuale di istruzioni è stato misurato in conformità a un test standardizzato stabilito dalla norma EN 60745; questo valore può essere utilizzato per mettere a confronto un l'utensile con un altro o come valutazione preliminare di esposizione alla vibrazione quando si impiega l'utensile per le applicazioni menzionate

- se si utilizza l'utensile per applicazioni diverse, oppure con accessori differenti o in scarse condizioni, il livello di esposizione potrebbe aumentare notevolmente
- i momenti in cui l'utensile è spento oppure è in funzione ma non viene effettivamente utilizzato per il lavoro, possono contribuire a ridurre il livello di esposizione

Proteggersi dagli effetti della vibrazione effettuando la manutenzione dell'utensile e dei relativi accessori, mantenendo le mani calde e organizzando i metodi di lavoro.

**DESCRIZIONE**

I numeri che compaiono nel testo si riferiscono agli schemi riportati alle pagine 2.

1. Interruttore on/off
2. Selettore di regolazione della velocità
3. Punto di montaggio per gli accessori
4. Impugnatura
5. Leva di cambio rapido
6. Copertura in carbonio

**3. MONTAGGIO**

*Prima del montaggio, spegnere sempre l'elettrotensile e disconnettere la spina di alimentazione dalla rete elettrica.*

La piastra levigatrice e la carta abrasiva devono essere utilizzate per applicazioni di levigatura.

**Rimozione e montaggio degli accessori (fig. B)**

- Rilasciare la leva per cambio rapido (5) e fare scorrere l'accessorio in avanti per rimuoverlo dal supporto.
- Inserire l'accessorio facendolo scorrere nel rispettivo supporto e fissarlo mediante la leva per cambio rapido (5).

**4. FUNZIONAMENTO****Accensione e spegnimento (fig. A)**

- Per accendere l'elettrotensile, far scorrere in avanti l'interruttore on/off (1).
- Per spegnere l'elettrotensile, far scorrere indietro l'interruttore on/off (1).

**Impostazione della velocità (fig. A)**

Il selettore di regolazione della velocità consente di impostare la velocità. Il selettore di regolazione della velocità è impostabile su 6 posizioni. La velocità ottimale dipende dal tipo di applicazione e dal materiale da lavorare.



*Non impostare la velocità durante l'uso.*

- Ruotare il selettore di regolazione della velocità (2) nella posizione desiderata.

**Suggerimenti per un uso ottimale**

- Bloccare il pezzo in lavorazione. Utilizzare un dispositivo di bloccaggio per eseguire tagli su piccoli pezzi.
- Tracciare una linea per definire la direzione in cui muovere l'accessorio.
- Tenere saldamente l'elettrotensile mediante l'impugnatura.
- Accendere l'elettrotensile.
- Attendere finché l'elettrotensile non ha raggiunto la massima velocità.
- Posizionare l'accessorio sul pezzo in lavorazione.
- Muovere lentamente l'elettrotensile lungo la linea tracciata precedentemente, premendo saldamente

l'accessorio contro il pezzo in lavorazione.

- Non esercitare una pressione eccessiva sull'elettrotensile. Lasciare che l'elettrotensile effettui il lavoro.
- Prima di appoggiare l'elettrotensile, spegnerlo e attendere che si arresti completamente.

## 5. MANUTENZIONE



*Prima di ogni operazione di pulizia e manutenzione, spegnere sempre l'elettrotensile e disconnettere la spina di alimentazione dalla rete elettrica.*

- Pulire regolarmente l'involucro con un panno morbido.
- Mantenere le feritoie di ventilazione pulite e libere da polvere e sporco. Se necessario, utilizzare un panno morbido inumidito per rimuovere polvere e sporco dalle feritoie di ventilazione.

### Sostituzione degli accessori (fig. B)

Gli accessori usurati o danneggiati devono essere sostituiti immediatamente.



*Utilizzare esclusivamente accessori affiliati e non danneggiati.*

- Per rimuovere gli accessori, procedere come descritto nella sezione corrispondente.
- Per montare gli accessori, procedere come descritto nella sezione corrispondente.

## AMBIENTE



*Le apparecchiature elettriche o elettroniche difettose e/o scartate devono essere raccolte presso gli opportuni siti di riciclaggio.*

### Solo per i Paesi CE

Non smaltire gli elettrotensili insieme ai rifiuti domestici. Secondo la Direttiva europea 2012/19/EC sui rifiuti delle apparecchiature elettriche ed elettroniche e relativa implementazione nelle normative locali, gli elettrotensili ormai inutilizzabili devono essere raccolti separatamente e smaltiti in modo ecologico.

## DEFINIZIONI DELLA GARANZIA

I prodotti VONROC sono sviluppati secondo i più elevati standard di qualità e viene garantita l'assenza di difetti nei materiali e nella manodopera per il periodo contrattuale a partire dalla data di acquisto originale. Qualora il prodotto dovesse subire un guasto qualsiasi durante questo periodo a causa di difetti nei materiali e/o nella manodopera, si prega di contattare direttamente il VONROC.

Le seguenti circostanze sono escluse da questa garanzia:

- Riparazioni e/o modifiche alla macchina sono state eseguite o tentate da centri di assistenza non autorizzati.
- Normale usura.
- L'utensile è stato abusato, utilizzato o mantenuto in modo improprio.
- Sono state utilizzate parti di ricambio non originali

Ciò costituisce l'unica garanzia espressa o implicita fornita dall'azienda. Non esistono altre garanzie espresse o implicite che si estendono oltre il presente documento, ivi comprese le garanzie implicite di commerciabilità e idoneità per uno scopo particolare. In nessun caso VONROC sarà responsabile di eventuali danni incidentali o consequenziali. I rimedi dei rivenditori saranno limitati alla riparazione o sostituzione di unità o parti non conformi.

**Il prodotto e il manuale per l'utente sono soggetti a modifiche. I dati tecnici possono essere modificati senza ulteriore notifica.**

## 1. SÄKERHETSANVISNINGAR

Läs de medföljande säkerhetsvarningarna, de kompletterande säkerhetsvarningarna och anvisningarna. Underlåtenhet att följa säkerhetsvarningarna och anvisningarna kan orsaka elstöt, brand och/eller allvarlig skada. Spara alla varningar och instruktioner för framtida referens.

Följande symboler används i användarhandboken eller på produkten:



Läs användarhandboken.



Risk för personskada.



Risk för elstöt.



Ta genast ut strömkontakten från strömkärlan om strömkabeln skadas samt vid rengöring och underhåll.



Risk för flygande föremål. Håll kringstående borta från arbetsområdet.



Använd skyddsglasögon.  
Använd hörselskydd.



Använd en dammask.



Variabla elektroniska varvtal.



Kassera inte produkten i olämpliga containrar.



Produkten uppfyller gällande säkerhetsnormer i EU-direktiven.

### ALLMÄNNA SÄKERHETSFORESKRIFTER FÖR ELVERKTYG



**WARNING! Läs alla säkerhetsvarningar och alla anvisningar.** Underlåtenhet att följa varningar och instruktioner kan resultera i elstötar, brand och/eller allvarliga skador.

#### Spara alla varningar och instruktioner för framtida referens.

Uttrycket "elverktyg" i varningarna avser ditt nätanslutna (med sladd) verktyg eller batteridrivna (sladdlösa) elektriska verktyg.

- 1) **Arbetsplats säkerhet**
  - a) **Håll arbetsplatsen ren och välbelyst.** Belamrade eller mörka områden inbjuder till olyckor.
  - b) **Använd inte elektriska verktyg i explosiva atmosfärer, såsom i närvaro av lättantändliga vätskor, gaser eller damm.** Elverktyg skapar gnistor som kan antända damm eller ångor.
  - c) **Håll barn och åskådare borta medan du arbetar med ett elverktyg.** Om du blir distraherad kan du tappa kontrollen.

#### 2) Elsäkerhet

- a) **Verktygets elkontakt måste passa till vägguttaget. Ändra inte kontakten på något sätt. Använd inte adapterkontakter med jordade elverktyg.** Omodifierade kontakter och matchande uttag minskar risken för elektrisk stöt.
- b) **Undvik kroppskontakt med jordade ytor såsom rör, värmeelement, spisar och kylskåp.** Det finns en ökad risk för elektrisk stöt om din kropp är jordansluten eller jordad.
- c) **Utsätt inte elektriska verktyg för regn eller väta.** Vatten som tränger in i ett elverktyg ökar risken för elstötar.
- d) **Hantera inte elkabeln felaktigt. Använd aldrig sladden för att bära, dra eller koppla bort elverktyget från uttaget. Håll sladden borta från värme, olja, vassa kanter eller rörliga delar.** Skadade eller tilltrasslade sladdar ökar risken för elektrisk stöt.
- e) **När du arbetar med ett elverktyg utomhus, använd en förlängningsladd som passar för utomhusanvändning.** Användning av en sladd som passar för utomhusanvändning minskar risken för elektrisk stöt.
- f) **Om arbete med ett elverktyg i en fuktig lokal är oundvikligt, använd ett uttag som är skyddat med jordfelsbrytare.** Användning av RCD minskar risken för elstötar.

#### 3) Personlig säkerhet

- a) **Var uppmärksam, kontrollera vad du gör och använd sunt förnuft när du arbetar med ett elektriskt verktyg. Använd inte ett elverktyg när du är trött eller påverkad av droger, alkohol eller medicinering.** Ett ögonblicks uppmärksamhet under arbetet kan resultera i allvarliga personsador.
- b) **Använd personlig skyddsutrustning. Bär alltid ögonskydd.** Skyddsutrustning såsom dammfilterskydd, hals säkra säkerhetsskor, skyddshjälm

eller hörselskydd som används för lämpliga förhållanden minskar personskador.

- c) **Förebygg oavsiktlig igångsättning. Se till att strömbrytaren är i avstängd position innan anslutning till strömkällan och/eller batteriet, verktyget lyfts upp eller bärs.** Om du bär elverktyg med ditt finger på strömbrytaren eller ansluter ett påkopplat elverktyg till nätströmmen kan en olycka inträffa.
- d) **Avlägsna eventuell justeringsnyckel eller skiftnyckel innan du sätter på elverktyget.** En skiftnyckel eller en nyckel som sitter kvar på en roterande del av elverktyget kan resultera i personskada.
- e) **Böj dig inte för långt. Bibehåll alltid ordentligt fotfäste och balans.** Detta möjliggör bättre kontroll av elverktyget i oväntade situationer.
- f) **Bär lämpliga kläder. Använd inte vida kläder eller smycken. Håll hår, kläder och handskar borta från rörliga delar.** Lösa kläder, smycken eller långt hår kan fastna i rörliga delar.
- g) **Om enheten är försedd med anslutning av dammsug och uppsamlingsmöjlighet, se till att dessa är anslutna och används korrekt.** Dammupptagning minskar dammrelaterade risker.
- h) **Låt inte erfarenheten som uppnås vid frekvent användning av verktyg låta dig bli för självsäker och ignorera verktygsäkerhetsprinciperna.** En oförsiktig handling kan orsaka allvarliga skador under bråkdelen av en sekund.
- 4) Användning och skötsel av elverktyg**
- a) **Tvinga inte elverktyget. Använd rätt slags elektriska verktyg för ditt arbete.** Rätt elverktyg gör arbetet bättre och säkrare vid den hastighet som det har konstruerats för.
- b) **Använd inte elverktyget om strömbrytaren inte sätter på och stänger av det.** Ett elverktyg som inte kan kontrolleras med strömbrytaren är farligt och måste repareras.
- c) **Dra ur kontakten från strömkällan och/eller batteriet från elverktyget innan du gör några justeringar, byter tillbehör eller lägger undan elverktyget för förvaring.** Sådana förebyggande säkerhetsåtgärder minskar risken att oavsiktligt starta elverktyget.
- d) **Förvara elverktyg oåtkomliga för barn och låt inte personer som är obekanta med verktyget eller dessa instruktioner använda verktyget.** Elektriska verktyg är farliga i händerna på oerfarna användare.

- e) **Underhåll elektriska verktyg. Kontrollera för feljustering eller om rörliga delar har fastnat, bristning hos delar och andra eventuella förhållanden som kan komma att påverka elverktygets funktion. Om det är skadat, se till att elverktyget blir reparerat före användning.** Många olyckor orsakas av dåligt underhållna elektriska verktyg.
- f) **Håll kapverktyg vassa och rena.** Korrekt underhållna kapverktyg med vassa kanter är mindre troliga att kärva och lättare att kontrollera.
- g) **Använd elverktyget, dess tillbehör och verktyg i enlighet med dessa instruktioner och under beaktande av arbetsförhållandena och det arbete som ska utföras.** Användningen av elverktyget för andra verksamheter än de som det är avsett för skulle kunna resultera i en farlig situation.
- h) **Se till att handtagen är torra, rena och fria från olja och fett.** Hala handtag och grepppytor tillåter inte säker hantering och kontroll av verktyget i oväntade situationer.
- 5) Användning och skötsel av batteridrivna verktyg**
- a) **Ladda endast med den laddare som är specificerad av tillverkaren.** En laddare som passar till en typ av batteri kan ge upphov till brandfara när den används tillsammans med ett annat batteri.
- b) **Använd elverktygen enbart med det därtill avsedda batteriet.** Användning av andra batteri kan ge upphov till skaderisk och eldsvåda.
- c) **När batteriet inte används, håll det borta från andra metallföremål, såsom gem, mynt, nycklar, spikar, skruvar eller andra små metallföremål som kan skapa en förbindelse från ena polen till den andra.** Kortslutning av batteripolerna kan ge upphov till brännskador eller eldsvåda.
- d) **Vid felaktig hantering kan vätska komma ut från batteriet, undvik kontakt med denna. Spola med vatten vid oavsiktlig kontakt. Sök läkarhjälp om vätskan kommer i kontakt med ögon.** Vätska som kommer ut från batteriet kan orsaka irritation eller brännskada.
- e) **Använd inte batterier eller verktyg som är skadade eller modifierade.** Skadade eller modifierade batterier kan uppvisa oförutsägbart beteende som kan leda till brand, explosion eller risk för skada.
- f) **Utsätt inte batteri eller verktyg för eld eller överdriven temperatur.** Exponering för brand eller

temperatur över 130 °C kan orsaka explosion. OBS! Temperaturen "130 °C" kan ersättas med temperaturen "265 °F".

- g) **Följ alla laddningsanvisningar och ladda inte batteriet eller verktyget utanför det temperaturområde som anges i instruktionerna.** Om du laddar batteriet felaktigt eller vid temperaturer utanför det angivna området kan det skada batteriet och öka risken för brand.

## 6) Service

- a) **Se till att ditt elverktyg får service av en kvalificerad reparatör, som endast använder identiska ersättningsdelar.** Detta säkerställer att elverktygets säkerhet upprätthålls.
- b) **Utför aldrig service på skadade batterier.** Service av batteri ska endast utföras av tillverkaren eller auktoriserade serviceleverantörer.

## YTTERLIGARE SÄKERHETSANVISNINGAR FÖR MULTIVERKTYG



*Kontakt med eller inandning av damm som kommer fritt under användning (t.ex. blymålade ytor, trä och metall) kan äventyra din hälsa och åskådarens hälsa. Bär alltid lämplig skyddsutrustning, såsom en dammask. Använd alltid korrekt dammsugning under användning.*

- Arbeta inte med material som innehåller asbest. Asbest anses vara cancerframkallande.
- Bearbeta inte metall med en magnesiumhalt på mer än 80 %.
- Var mycket försiktig vid slipning av målade ytor.
- Använd inte tillbehör som inte specifikt har utformats och rekommenderats av verktygstillverkaren. Risk för personskada.
- Inspektera maskinen och tillbehören före varje användning. Använd inte tillbehör som är skadade eller deformerade. Om maskinen eller något av tillbehören tappas, inspektera maskinen eller tillbehöret för skador. Byt ut tillbehöret vid behov.
- Använd endast tillbehör som rekommenderas av tillverkaren.
- Använd endast tillbehör som är lämpliga för applikationen.
- Använd endast slippapper med rätt mått.
- Använd inte tillbehör som kräver kylvätskor. Risk för elstöt.
- Se till att tillbehöret är korrekt monterat. Använd inte adapttrar eller andra hjälpmedel för att

montera tillbehör med en annan spindeldiameter.

- Se till att maxhastigheten för tillbehöret är större än eller samma som maskinens maxhastighet. Ta en titt på typskylten på maskinen.
- Låt maskinen gå utan belastning i ett säkert utrymme efter montering av tillbehöret. Om maskinen vibrerar kraftigt, stäng omedelbart av maskinen, dra ut stickkontakten ur vägguttaget och försök lösa problemet.
- Se till att arbetsstycket stöds eller fästs ordentligt.
- Använd skyddsglasögon. Använd hörselskydd. Använd en dammask. Använd vid behov andra skyddsmedel, såsom skyddshandskar, skyddsskor etc. Risk för personskada.
- Håll kringstående borta från arbetsområdet. Se till att alla personer i arbetsområdet bär skyddsutrustning. Risk för personskada.
- Håll nätkabeln borta från det roterande tillbehöret. Om nätkabeln vidrör det roterande tillbehöret kan dina händer eller armar komma i kontakt med tillbehöret. Risk för personskada.
- Håll maskinen vid de isolerade greppytorna där tillbehöret kan komma i kontakt med dolda ledningar eller nätkabeln. Om tillbehöret kommer i kontakt med en strömförande ledning kan maskinens utsatta metalldelar också bli strömförande. Risk för elstöt.
- Låt inte elverktyget vara igång när du bär det vid din sida. Risk för personskada.
- Använd inte maskinen nära brännbart material. Risk för brand.
- Tänk på att sågbladet fortsätter att rotera en kort stund efter att maskinen stängts av. Försök inte själv få tillbehöret att stanna.
- Lägg aldrig ner maskinen på ett bord eller en arbetsbänk innan den har stängts av.
- Rengör ventilationsöppningarna. Risk för elstöt.

## Elsäkerhet



*Kontrollera alltid så att spänningen på nätet motsvarar den spänning som finns angiven på märkplåten.*

- Använd inte maskinen om nätkabeln eller nätkontakten är skadad.
- Använd endast förlängningskablar som är lämpliga för maskinens effekt med en minsta tjocklek på 1,5 mm<sup>2</sup>. Om du använder en kabelvinda, rulla alltid ut kabeln helt.

## 2. MASKININFORMATION

### Avsedd användning

Ditt multiverktyg har designats för lätt slipning, sågning och skrapning.

### TEKNISKA SPECIFIKATIONER

Modell-nr	OT502AC / S_OT502AC
Strömspanning	220-240 V
Strömfrekvens	50 Hz
Ineffekt	300 W
Varvtal utan belastning	0-23.000 /min
Vikt	1,21 kg
Ljudtryck (Lpa)	85 dB(A)
Ljudeffekt (Lwa)	96 dB(A)
Osäkerhet (K)	3 dB(A)
Vibration (sågning i stål)	7,28 m/s <sup>2</sup>
Osäkerhet (K)	1,5 m/s <sup>2</sup>



Använd hörselskydd.

### Vibrationsnivå

Vibrationsutsläppsnivån som anges i denna bruksanvisning har uppmätts i enlighet med ett standardiserat test i EN 60745, som kan användas för att jämföra verktyg med varandra och som en preliminär bedömning av exponering för vibrationer när du använder verktyget för angivna

- Användning av verktyget för andra tillämpningar, eller med olika eller dåligt underhållna tillbehör kan avsevärt öka exponeringsnivån.
- De gånger då verktyget stängs av eller är på men egentligen inte används kan minska exponeringsnivån betydligt.

Skydda dig mot effekterna av vibrationer genom att underhålla verktyget och dess tillbehör, hålla händerna varma och organisera ditt arbetsmönster.

### BESKRIVNING

Siffrorna i texten hänvisar till diagrammen på sidan 2.

1. Strömbrytare
2. Hastighetsjusteringsratt
3. Monteringspunkt för tillbehör
4. Grepp

5. Snabbväxlingsspak
6. Lock för kolborste

## 3. MONTERING



Stäng alltid av maskinen och ta ut strömkontakten från strömkällan innan montering.

Slipplattan och slippapperet måste användas för slipapplikationer.

### Ta bort och montera tillbehör (fig. B)

- Släpp snabbväxlingsspaken (5) och skjut tillbehöret framåt för att ta bort det ur hållaren.
- Skjut in tillbehöret i hållaren och fäst snabbväxlingsspaken (5).

## 4. DRIFT

### Igångsättning och avstängning (fig. A)

- Flytta strömbrytaren (1) framåt för att slå på maskinen.
- Flytta strömbrytaren (1) bakåt för att stänga av maskinen.

### Ställa in hastigheten (fig. A)

Hastighetsjusteringsratten används för att ställa in hastigheten. Hastighetsjusteringsratten kan ställas in i 6 lägen. Den idealiska hastigheten beror på användning och på materialet som ska bearbetas.



Ställ inte in hastigheten under användningen.

- Vrid hastighetsjusteringsratten (2) till önskat läge.

### Tips för optimal användning

- Kläm fast arbetsstycket. Använd en spännehet för små arbetsstycken.
- Rita linjer för att definiera i vilken riktning tillbehöret ska styras.
- Håll maskinen stadigt i handtaget.
- Slå på maskinen.
- Vänta tills maskinen har uppnått full hastighet.
- Placera tillbehöret på arbetsstycket.
- Flytta långsamt maskinen längs den förritade linjen, tryck tillbehöret mot arbetsstycket.
- Tryck inte för hårt på maskinen. Låt maskinen göra arbetet.
- Stäng av maskinen och vänta tills maskinen står helt still innan du lägger ifrån dig den.

## 5. UNDERHÅLL



*Stäng alltid av maskinen och ta ut strömkontakten från strömkällan innan rengöring och underhåll.*

- Rengör huset regelbundet med en mjuk trasa.
- Håll ventilationsöppningarna fria från damm och smuts. Om det behövs, använd en mjuk, fuktig trasa för att avlägsna damm och smuts från ventilationsöppningarna.

### Byte av tillbehör (fig. B)

Slitna eller skadade tillbehör måste bytas omedelbart.



*Använd endast slipade och oskadade tillbehör.*

- För att ta bort tillbehöret, fortsätt enligt beskrivningen i motsvarande avsnitt.
- För att montera tillbehöret, fortsätt enligt beskrivningen i motsvarande avsnitt.

## MILJÖ



*Felaktig och/eller kasserad elektrisk eller elektronisk utrustning måste lämnas in på lämpliga återvinningsstationer.*

### Endast för EU-länder

Kassera inte elverktyg i hushållsavfall. Enligt den europeiska riktlinjen 2012/19/EG om kasserad elektrisk och elektronisk utrustning och dess tillämpning i nationell rätt måste elverktyg som inte längre är användbara samlas in separat och kasseras på ett miljövänligt sätt.

## GARANTI

VONROC-produkter är utvecklade enligt högsta kvalitetsstandard och garanteras fria från defekter i både material och utförande under den period som lagen föreskriver från och med inköpsdatumet. Om produkten skulle utveckla fel under denna period på grund av defekt material och/eller utförande, kontakta då VONROC direkt.

Följande omständigheter är undantagna från denna garanti:

- Reparationer och/eller ändringar har gjorts eller försökts utföras på maskinen av obehöriga servicecenter;
- Normalt slitage;
- Verktyget har missbrukats, använts på fel sätt eller underhållits felaktigt;
- Reservdelar som inte är original har använts.

Detta utgör den enda garantin som företaget ger antingen uttryckt eller underförstått. Det finns inga andra garantier uttryckta eller underförstådda som sträcker sig bortom detta, inklusive de underförstådda garantierna för säljbarhet och lämplighet för ett visst syfte. Under inga omständigheter ska VONROC hållas ansvarigt för indirekta skador eller följdskador. Återförsäljarnas åtgärder ska begränsas till reparation eller byte av enheter eller delar som inte uppfyller kraven.

**Produkten och användarhandboken kan ändras. Specifikationerna kan ändras utan förvarning.**



## 1. SIKKERHEDSANVISNINGER

Læs de vedlagte sikkerhedsadvarsler, de yderligere sikkerhedsadvarsler og vejledningen. Hvis sikkerhedsadvarslerne og instruktionerne ikke følges, kan det resultere i elektrisk stød, brand og/eller alvorlige personskader. Gem alle sikkerhedsadvarsler og instruktioner til fremtidig brug.

Følgende symboler anvendes i brugervejledningen eller på produktet:



Læs brugervejledningen.



Risiko for personskade.



Risiko for elektrisk stød.



Tag øjeblikkeligt netstikket ud af stikkontakten, hvis netkablet bliver beskadiget, samt under rengøring og vedligeholdelse.



Risiko for flyvende genstande. Tilskuere skal holde sig på afstand af arbejdsområdet.



Bær sikkerhedsbriller.

Bær høreværn.



Bær en støvmaske.



Variabel elektronisk hastighed.



Bortskaf ikke produktet i uegnede beholdere.



Produktet er i overensstemmelse med de gældende sikkerhedsstandarder i EU-direktiverne.

### GENERELLE SIKKERHEDSADVARSLER FOR ELVÆRKTØJ



**ADVARSEL! Læs alle sikkerhedsadvarsler og alle anvisninger.** Hvis advarslerne og vejledningen ikke følges, kan det resultere i elektrisk stød, brand og/eller alvorlige personskader.

### Gem alle advarsler og instruktioner til fremtidig brug.

Udtrykket "el-værktøj" i advarslerne refererer til dit el-værktøj (med ledning) eller dit batteridrevne (ledningsfri) el-værktøj.

#### 1) Sikkerhed på arbejdsområdet

- Hold arbejdsområdet rent og godt oplyst.** Der er risiko for ulykker på rodede eller mørke områder.
- Brug ikke el-værktøj i eksplosive atmosfærer, f.eks. i nærheden af brandfarlige væsker, gasser eller støv.** El-værktøj danner gnister, der kan antænde støv eller dampe.
- Hold børn og tilstedeværende væk, mens du bruger et el-værktøj.** Distractioner kan få dig til at miste kontrollen.

#### 2) El-sikkerhed

- Stik på el-værktøj skal passe til stikkontakten. Stikket må aldrig modificeres på nogen måde. Brug ikke adapterstik med jordforbundne (jordede) el-værktøj.** Umodificerede stik og tilsvarende stikkontakter reducerer risikoen for elektrisk stød.
- Undgå kropskontakt med jordede overflader, såsom rør, radiatorer, områder og køleskabe.** Der er en øget risiko for elektrisk stød, hvis din krop er jordet.
- El-værktøjer må ikke udsættes for regn eller våde omgivelser.** Vand, der trænger ind i et el-værktøj, vil øge risikoen for elektrisk stød.
- Misbrug ikke ledningen. Brug ikke ledningen til at bære, trække eller frakoble el-værktøjet. Hold ledningen væk fra varme, olie, skarpe kanter eller dele i bevægelse.** Beskadigede eller sammenfiltrede ledninger øger risikoen for elektrisk stød.
- Når du betjener et el-værktøj udendørs, skal du bruge en forlængerledning, der er velegnet til udendørs brug.** Brug af en ledning, der er velegnet til udendørs brug, reducerer risikoen for elektrisk stød.
- Hvis det ikke kan undgås at bruge et maskinværktøj i et fugtigt miljø, bør du anvende en forsyning, der er beskyttet af en fejlstrømsafbryder (RCD).** Brugen af en RCD reducerer risikoen for elektrisk stød.

#### 3) Personlig sikkerhed

- Vær opmærksom, hold øje med hvad du laver,**

- og brug din sunde fornuft, når du bruger et el-værktøj. Brug ikke et el-værktøj, når du er træt eller påvirket af stoffer, alkohol eller medicin.** Et øjebliks uopmærksomhed under brug af el-værktøj kan resultere i alvorlig personskade.
- b) **Brug personligt sikkerhedsudstyr. Bær altid beskyttelsesbriller.** Beskyttelsesudstyr såsom støvmaske, skridsikre sikkerhedssko, hjelm eller høreværn, der bruges til passende forhold, reducerer personskader.
  - c) **Undgå utilsigtet start. Sørg for, at kontakten er slukket, før du tilslutter strømkilden og/eller batteripakken, tager maskinen op eller bærer værktøjet.** Hvis el-værktøj bæres med fingeren på kontakten, eller når el-værktøj strømføres med tændt kontakt, kan der nemt ske ulykker.
  - d) **Fjern en eventuel justeringsnøgle eller skruenøgle, inden du tænder for el-værktøjet.** En skruenøgle eller en justeringsnøgle, der er fastgjort til en roterende del af el-værktøjet, kan resultere i personskade.
  - e) **Ræk ikke for langt. Hold altid et korrekt fodfæste og balancen.** Dette giver bedre kontrol over el-værktøjet i uventede situationer.
  - f) **Klæd dig korrekt. Bær ikke løst tøj eller smykker. Hold dit hår, tøj og handsker væk fra bevægelige dele.** Løst tøj, smykker eller langt hår kan sætte sig fast i bevægelige dele.
  - g) **Hvis der leveres enheder til tilslutning af støvudsugnings- og opsamlingsfaciliteter, skal du sikre, at disse er tilsluttet og bliver brugt korrekt.** Brug af støvopsamling kan reducere støvrelaterede farer.
  - h) **Lad ikke kendskab fra hyppig brug af værktøj lade dig blive tilbagelænet og ignorere værktøjssikkerhedsprincipper.** En skødesløs handling kan forårsage alvorlig personskade inden for en brøkdæl af et sekund.
- 4) Brug og pleje af el-værktøj**
- a) **Tving ikke el-værktøjet. Brug det korrekte el-værktøj til din opgave.** Det korrekte el-værktøj vil gøre et bedre stykke arbejde og vil være mere sikkert ved den hastighed, det var beregnet til.
  - b) **Brug ikke el-værktøjet, hvis kontakten ikke tænder og slukker.** Ethvert el-værktøj, der ikke kan styres med kontakten, er farligt og skal repareres.
  - c) **Tag stikket ud af strømkilden og/eller fjern batteripakken fra el-værktøjet, før du foretager justeringer, skifter tilbehør eller opbevarer el-værktøj.** Disse forebyggende sikkerhedsforanstaltninger reducerer risikoen for at tænde el-værktøjet ved et uheld.
  - d) **Opbevar slukket el-værktøj uden for børns rækkevidde, og lad ikke personer, der ikke har kendskab til el-værktøjet eller disse instruktioner, betjene el-værktøjet.** El-værktøjer er farlige i hænderne på utrænede brugere.
  - e) **Vedligehold el-værktøjer. Se efter forkert justering eller binding af bevægelige dele, ødelagte dele og enhver anden tilstand, der kan påvirke el-værktøjets drift. Hvis det er beskadiget, bør du få el-værktøjet repareret før brug.** Mange ulykker forårsages af dårligt vedligeholdt el-værktøj.
  - f) **Hold skæreværktøj skarpt og rent.** Korrekt vedligeholdt skæreværktøjer med skarpe skærekanter har mindre tilbøjelighed til at binde og er lettere at styre.
  - g) **Brug el-værktøj, tilbehør og værktøjsbor osv. i overensstemmelse med disse instruktioner under hensyntagen til arbejdsforholdene og det arbejde, der skal udføres.** Brug af el-værktøjet til andet arbejde end det tilsigtede kan resultere i en farlig situation.
  - h) **Hold håndtag og gribeblader tørre, rene og fri fra olie og fedtstof.** Glatte håndtag og gribeblader giver ikke mulighed for sikker håndtering og kontrol af værktøjet i uventede situationer.
- 5) Brug og pleje af værktøjsbatteri**
- a) **Brug kun den oplader, der er specificeret af producenten, til opladning.** En oplader, der er egnet til én type batteripakke, kan forårsage risiko for brand, når den anvendes med en anden batteripakke.
  - b) **Brug kun el-værktøj med specifikt udformede batteripakker.** Brug af andre batteripakker kan resultere i risiko for personskader og brand.
  - c) **Når batteripakken ikke er i brug, skal den holdes væk fra andre metalgenstande, som f.eks. papirclips, mønter, nøgler, søm, skruer eller andre små metalgenstande, der kan skabe en forbindelse fra den ene terminal til den anden.** Hvis batteriterminalerne kortsluttes, kan det forårsage forbrændinger eller en brand.
  - d) **Ved forkert anvendelse kan der lække væske fra batteriet; undgå kontakt. Skyl med vand, hvis der skulle opstå kontakt ved et uheld. Søg derudover lægehjælp, hvis der kommer væske**

**ind i øjnene.** Væske fra batteriet kan forårsage irritation eller forbrændinger.

- e) **Brug ikke en batteripakke eller et værktøj, der er beskadiget eller modificeret.** Beskadigede eller modificerede batterier kan udvise uforudsigelig adfærd, hvilket resulterer i brand, eksplosion eller risiko for personskade.
- f) **Undlad at udsætte en batteripakke eller et værktøj for åben ild eller for høj temperatur.** Udsættelse for åben ild eller temperatur over 130 °C kan forårsage eksplosion. BEMÆRK Temperaturen „130 °C“ kan erstattes af temperaturen „265 °F“.
- g) **Følg alle opladningsinstruktioner, og oplad ikke batteripakken eller værktøjet uden for temperaturintervallet specificeret i instruktionerne.** Forkert opladning eller opladning ved temperaturer uden for det specificerede interval kan beskadige batteriet og øge risikoen for brand.

## 6) Service

- a) **Lad dit el-værktøj blive serviceeret af en kvalificeret reparatør, der kun bruger identiske reservedele.** Dette sikrer, at maskinværktøjet fortsat er sikkert at bruge.
- b) **Foretag aldrig service på beskadigede batteripakker.** Service af batteripakker bør kun udføres af producenten eller autoriserede serviceudbydere.

## YDERLIGERE SIKKERHEDSADVARSLER FOR MULTIVÆRKTØJER



*Kontakt med eller indånding af støv, der frigives under brug (f.eks. blymalede overflader, træ og metal) kan bringe dit helbred og tilskuernes helbred i fare. Bær altid passende beskyttelsesudstyr, såsom en støvmaske. Brug altid korrekt støvudsugning under brug.*

- Arbejd ikke med materialer, der indeholder asbest. Asbest anses for at være kræftfremkaldende.
- Undlad at arbejde med metal med et magnesiumindhold på over 80%.
- Vær meget forsigtig, når du bearbejder malede overflader.
- Brug ikke tilbehør, som ikke er udformet specifikt og anbefalet af producenten. Risiko for personskade.
- Efterse maskinen og tilbehøret før hver anvendelse. Undlad at bruge tilbehør, der er bøjet, revnet eller på anden vis beskadiget. Hvis

maskinen eller noget af tilbehøret tabes, skal maskinen eller tilbehøret ses efter for skader.

- Udsift om nødvendigt tilbehøret.
- Brug kun tilbehør, der anbefales af producenten.
- Brug kun tilbehør, der er velegnet til opgaven.
- Brug kun tilbehør med de korrekte dimensioner.
- Brug ikke tilbehør, der kræver flydende kølemidler. Risiko for elektrisk stød.
- Sørg for, at tilbehøret er korrekt monteret. Brug ikke adaptere eller andre hjælpemidler til at montere tilbehør med en anden spindeldiameter.
- Sørg for, at den maksimale hastighed for tilbehøret er større end eller den samme som maskinens maksimale hastighed. Se mærkepladen på maskinen.
- Lad maskinen køre uden belastning på et sikkert område efter montering af tilbehøret. Hvis maskinen vibrerer kraftigt, skal du straks slukke for maskinen, tage netstikket ud af stikkontakten og forsøge at løse problemet.
- Sørg for, at arbejdsområdet er korrekt støttet eller fastgjort.
- Bær sikkerhedsbriller. Bær høreværn. Bær en støvmaske. Brug om nødvendigt andre beskyttelsesforanstaltninger, såsom sikkerhedshandsker, sikkerhedssko osv. Risiko for personskade.
- Tilskuere skal holde sig på afstand af arbejdsområdet. Sørg for, at alle personer i arbejdsområdet bærer beskyttelsesudstyr. Risiko for personskade.
- Hold netkablet væk fra det roterende tilbehør. Hvis netkablet berører det roterende tilbehør, kan dine hænder eller arme komme i kontakt med tilbehøret. Risiko for personskade.
- Hold maskinen ved de isolerede gribeplader, hvor tilbehøret kan komme i kontakt med skjulte ledninger eller netledningen. Hvis tilbehøret kommer i kontakt med en strømførende ledning, kan maskinens eksponerede metaldele også blive strømførende. Risiko for elektrisk stød.
- Brug ikke maskinen, mens du bærer den ved siden af dig. Risiko for personskade.
- Brug ikke maskinen i nærheden af brandfarlige materialer. Risiko for brand.
- Vær opmærksom på, at tilbehøret fortsætter med at rotere i en kort periode, efter at maskinen er slukket. Forsøg ikke selv at få tilbehøret til at standse.
- Du må aldrig lægge maskinen ned på et bord eller en arbejdsbænk, før den er blevet slukket.
- Rengør ventilationsåbningerne regelmæssigt. Risiko for elektrisk stød.

**EI-sikkerhed**

Kontroller altid, at strømforsynings spænding stemmer overens med spændingen på ydelsesskiltet.

- Brug ikke maskinen, hvis netledningen eller netstikket er beskadiget.
- Brug kun forlængerledninger, der er velegnede til maskinens effekt med en minimumstykkelse på 1,5 mm<sup>2</sup>. Hvis du bruger en forlængerkabelrulle, skal du altid rulle kablet helt ud.

**2. MASKINOPLYSNINGER****Tilsigtet brug**

Dit multiværktøj er designet til let slibning, savning og skrabning.

**TEKNISKE SPECIFIKATIONER**

Model nr.	OT502AC / S_OT502AC
Netspænding	220-240 V
Netfrekvens	50 Hz
Indgangseffekt	300 W
Hastighed uden last	0-23,000 /min
Vægt	1,21 kg
Lydtryk (Lpa)	85 dB(A)
Lydeffekt (Lwa)	96dB(A)
Usikkerhed (K)	3 dB(A)
Vibration (savning i stål)	7,28 m/s <sup>2</sup>
Usikkerhed (K)	1,5 m/s <sup>2</sup>



Bær høreværn.

**Vibrationsniveau**

Det vibrationsmissionsniveau, der er angivet i denne brugervejledning, er målt i overensstemmelse med en standardiseret test i henhold til EN 60745; den kan bruges til at sammenligne et værktøj med et andet og som en foreløbig vurdering af eksponering for vibrationer, når værktøjet bruges til de nævnte funktioner

- Brug af værktøjet til forskellige funktioner eller med forskelligt eller dårligt vedligeholdt tilbehør kan øge eksponeringsniveauet
- De tidspunkter, hvor værktøjet er slukket, eller hvor det kører, men ikke rent faktisk udfører arbejdet, kan reducere eksponeringsniveauet betydeligt.

Beskyt dig mod vibrationseffekterne ved at vedligeholde værktøjet og dets tilbehør, holde dine hænder varme og organisere dine arbejdsmønstre.

**BESKRIVELSE**

Tallene i teksten henviser til diagrammerne på side 2.

1. Tænd/sluk-kontakt
2. Knap til hastighedsjustering
3. Monteringspunkt for tilbehør
4. Greb
5. Arm til hurtigskift
6. Kulbørstens dæksel

**3. MONTERING**

Før monteringen skal du altid slukke for maskinen og trække netstikket ud af kontakten.

Slibepuden og slibepapiret skal bruges til slibning.

**Fjernelse og montering af tilbehør (fig. B)**

- Slip armen til hurtigskift (5) og skub tilbehøret fremad for at fjerne det fra holderen.
- Skub tilbehøret i holderen og fastgør armen til hurtigskift (5).

**4. BETJENING****Tænd og sluk (fig. A)**

- Tænd for maskinen ved at skubbe tænd/sluk-kontakten (1) til forsiden.
- Sluk for maskinen ved at skubbe tænd/sluk-kontakten (1) til bagsiden.

**Indstilling af hastigheden (fig. A)**

Knappen til hastighedsjustering bruges til at indstille hastigheden. Knappen til hastighedsjustering kan indstilles i 6 positioner. Den ideelle hastighed afhænger af anvendelsen og af det materiale, der skal bearbejdes.



Indstil ikke hastigheden under brug.

- Drej knappen til hastighedsjustering (2) til den ønskede position.

### Tips til optimal brug

- Fastspænd arbejdsemnet. Brug en fastspændingsenhed til små arbejdsstykker.
- Tegn en linje for at definere den retning, tilbehøret skal føres i.
- Hold maskinen godt fast i grebet.
- Tænd for maskinen.
- Vent, til maskinen har nået fuld hastighed.
- Placer tilbehøret på arbejdsemnet.
- Bevæg maskinen langs den forhåndstegnede linje, og tryk tilbehøret fast mod arbejdsemnet.
- Påfør ikke for meget tryk på maskinen. Lad maskinen gøre arbejdet.
- Sluk for maskinen, og vent på, at den standser helt, inden du lægger maskinen fra dig.

## 5. VEDLIGEHOLDELSE



*Før rengøring og vedligeholdelse skal du altid slukke for maskinen og trække netstikket ud af kontakten.*

- Rengør huset regelmæssigt med en blød klud.
- Hold ventilationsåbningerne fri for støv og snavs. Brug om nødvendigt en blød, fugtig klud til at fjerne støv og snavs fra ventilationsåbningerne.

### Udskiftning af tilbehøret (fig. B)

Slidt eller beskadiget tilbehør skal udskiftes med det samme.



*Brug kun skarpt og ubeskadiget tilbehør.*

- For at fjerne tilbehøret skal du fortsætte som beskrevet i det tilsvarende afsnit.
- For at montere tilbehøret skal du fortsætte som beskrevet i det tilsvarende afsnit.

## MILJØ



*Defekte og/eller bortskaffede elektriske og elektroniske apparater skal afleveres på en passende genbrugsstation.*

### Kun for lande i EU

Maskinværktøj må ikke bortskaffes sammen med husholdningsaffald. Ifølge EC-direktiv 2012/19/EU om affald af elektrisk og elektronisk udstyr og dets gennemførelse i den nationale lovgivning skal maskinværktøjer, der ikke længere anvendes, afleveres separat og bortskaffes på en miljøvenlig måde.

## GARANTI

VONROC-produkter er udviklet til de højeste kvalitetsstandarder og er garanteret fri for defekter i både materialer og udførelse i den periode, der er retsligt angivet fra datoen for det originale køb. Hvis produktet skulle udvikle fejl i denne periode på grund af defekt materiale og/eller udførelse, bedes du kontakte VONROC direkte.

Følgende omstændigheder er udelukket fra denne garanti:

- Uautoriserede servicecentre har foretaget eller gjort forsøg på at foretage reparationer og/eller ændringer på maskinen;
- Normal slitage;
- Værktøjet er blevet misbrugt, brugt forkert eller ikke passende vedligeholdt;
- Der er anvendt ikke-originale reservedele.

Dette udgør den eneste garanti, virksomheden har givet, enten udtrykt eller underforstået. Der er ingen andre garantier, udtrykt eller underforstået, som strækker sig ud over denne, herunder de underforståede garantier for salgbarhed og egnethed til et bestemt formål. Under ingen omstændigheder skal VONROC holdes ansvarlig for tilfældige skader eller følgeskader. Forhandlerens retsmidler skal være begrænset til reparation eller udskiftning af enheder eller dele, der ikke overholder kravene.

**Produktet og brugervejledningen er genstand for ændringer. Specifikationer kan ændres uden yderligere varsel.**

## 1. INSTRUKCJE BEZPIECZEŃSTWA

Należy zapoznać się z ostrzeżeniami dotyczącymi bezpieczeństwa, dodatkowymi ostrzeżeniami i instrukcjami. Niestosowanie się do ostrzeżeń dotyczących bezpieczeństwa może zakończyć się porażeniem przez prąd, pożarem i/lub poważnymi obrażeniami ciała. Ostrzeżenia dotyczące bezpieczeństwa oraz instrukcję należy przechowywać w dostępnym miejscu.

W podręczniku użytkownika urządzenia lub na urządzeniu umieszczono następujące symbole:



Przeczytać instrukcję obsługi.



Ryzyko obrażeń ciała.



Ryzyko porażenia prądem.



Należy natychmiast odłączyć wtyczkę od zasilania, jeśli przewód zasilający zostanie uszkodzony oraz podczas czyszczenia i konserwacji.



Ryzyko odprysków. Nie dopuszczać innych osób do stanowiska pracy.



Używać gogli ochronnych. Stosować osłonę dla uszu.



Nosić maskę przeciwpyłową.



Zmienna predkosć elektroniczna.



Nie wyrzucać produktu do nieodpowiednich pojemników.



Produkt spełnia wymogi odpowiednich norm bezpieczeństwa podanych w dyrektywach UE.

### OGÓLNE ZALECENIA DOTYCZĄCE BEZPIECZEŃSTWA



**UWAGA! Przeczytać wszystkie ostrzeżenia dotyczące bezpieczeństwa i wszystkie instrukcje.** Nieprzestrzeganie wszystkich poniższych instrukcji może być przyczyną porażenia prądem, pożaru i/lub poważnych obrażeń.

#### Zachowaj poniższe instrukcje.

Termin „elektronarzędzia akumulatorowe” we wszystkich ostrzeżeniach zamieszczonych poniżej odnosi się do elektronarzędzi akumulatorowych zasilanych sieciowo (przewodowych) lub elektronarzędzi akumulatorowych działających na baterie (beprzewodowych).

#### 1) Obszar roboczy

- Obszar roboczy należy utrzymywać w czystości.** Powinien on być dobrze oświetlony. Nietład i złe oświetlenie mogą z łatwością doprowadzić do wypadku.
- Nie korzystaj z elektronarzędzi akumulatorowych w warunkach, w których łatwo może dojść do wybuchu, np. w obecności łatwopalnych cieczy, gazów lub pyłu.** Podczas pracy elektronarzędzi akumulatorowych powstają iskry, które mogą doprowadzić do zapłonu pyłu lub oparów.
- Dzieci i inne osoby postronne powinny pozostać w bezpiecznej odległości od pracującego urządzenia.** Rozproszenie uwagi może spowodować utratę kontroli nad urządzeniem.

#### 2) Bezpieczeństwo związane z elektrycznością

- Wtyczki elektronarzędzi akumulatorowych muszą być odpowiednie do danego gniazda.** Pod żadnym pozorem nie należy modyfikować wtyczki w jakikolwiek sposób. Nie należy używać adapterów, które uziemiają elektronarzędzia akumulatorowe. Stosowanie wtyczek nie poddanych modyfikacjom oraz odpowiednich gniazd zmniejsza ryzyko porażenia prądem.
- Należy unikać bezpośredniego kontaktu fizycznego z powierzchniami uziemionymi, takimi jak rury, grzejniki, kuchenki, lodówki.** Ryzyko porażenia prądem jest większe, jeśli ciało osoby obsługującej urządzenie jest uziemione.
- Nie należy wystawiać elektronarzędzi akumulatorowych na działanie deszczu lub wilgoci.** Dostanie się wody do wnętrza elektronarzędzia akumulatorowego zwiększy ryzyko porażenia prądem.
- Nie należy używać przewodu w niewłaściwy sposób.** Pod żadnym pozorem nie należy wykorzystywać przewodu do przenoszenia lub ciągnięcia elektronarzędzia akumulatorowego, ani do jego odłączania od sieci. Przewodu nie należy wystawiać na działanie ciepła, smarów. Powinien on znajdować się w bezpiecznej odległości od ostrych krawędzi i części ruchomych.

- Przewody uszkodzone lub poplątane zwiększają ryzyko porażenia prądem.
- e) **Podczas korzystania z elektronarzędzia akumulatorowego na wolnym powietrzu, należy używać przewodu przedłużacza przystosowanego do użytku na zewnątrz.** Używanie przewodu nadającego się do użytku na wolnym powietrzu zmniejsza ryzyko porażenia prądem.
  - f) **Jeśli obsługa elektronarzędzia w wilgotnym miejscu jest nieunikniona, użyć zasilania wyposażonego w wyłącznik różnicowo-prądowy.** Użycie wyłącznika różnicowo-prądowego zmniejsza ryzyko porażenia prądem.
- 3) Bezpieczeństwo osoby obsługującej urządzenie**
- a) **Przez cały czas należy mieć się na baczności, uważać na to, co się robi, a w czasie obsługi elektronarzędzia akumulatorowego postępować mając na uwadze zdrowy rozsądek. Urządzenia nie powinny obsługiwać osoby zmęczone lub będące pod wpływem narkotyków, alkoholu lub leków.** Chwila nieuwagi w czasie obsługi elektronarzędzi akumulatorowych może być przyczyną powstania poważnych obrażeń ciała.
  - b) **Należy korzystać ze sprzętu ochronnego oraz zawsze nosić okulary ochronne.** Sprzęt ochronny, jak na przykład maska przeciwpyłowa, antypoślizgowe obuwie ochronne, kask lub słuchawki ochronne używany we właściwych sytuacjach pozwoli na zmniejszenie ryzyka obrażeń ciała.
  - c) **Unikać niezamierzonego uruchomienia. Przed podłączeniem urządzenia do sieci, zawsze sprawdzić, czy przełącznik znajduje się w pozycji „wyłączony”.** Przenoszenie elektronarzędzi z palcem na przełączniku lub włączonych elektronarzędzi z przełącznikiem w położeniu włączenia jest bardzo niebezpieczne i może powodować wypadki.
  - d) **Przed włączeniem elektronarzędzia akumulatorowego należy usunąć z niego wszystkie klucze nastawcze lub maszynowe.** Pozostawienie klucza zamocowanego na jednej z części obrotowych urządzenia może spowodować powstanie obrażeń ciała.
  - e) **Nie należy sięgać ponad urządzeniem. Przez cały czas należy zachować odpowiednią równowagę i zapewnić odpowiednie oparcie dla stóp.** Pozwoli to na lepsze kontrolowanie urządzenia w nieoczekiwanych sytuacjach.
  - f) **Należy nosić odpowiednie ubranie. Do pracy z urządzeniem nie wkładać luźnych ubrań ani biżuterii. Włosy, ubranie i rękawiczki trzymać z dala od części ruchomych.** Luźne części ubrania, biżuteria lub długie włosy mogą zostać wciągnięte przez części ruchome.
  - g) **Jeśli w urządzeniu przewidziano elementy służące do odprowadzania i zbierania pyłu, należy sprawdzić, czy są podłączone, i czy działają we właściwy sposób.** Korzystanie z tego typu elementów pozwala ograniczyć ryzyko związane z wydzielaniem pyłu podczas pracy urządzenia.
  - h) **Nie zezwalać na to, aby rutyna związana z częstym korzystaniem z narzędzi powodowała nadmierną pewność siebie i ignorowanie zasad bezpiecznego korzystania z narzędzi.** Nieodpowiedzialne działanie może spowodować poważne obrażenia ciała w ułamku sekundy.
- 4) Obsługa i konserwacja elektronarzędzi akumulatorowych**
- a) **Urządzenia nie należy przeciążać. Należy korzystać z narzędzia odpowiedniego do danego typu pracy.** Odpowiednio dobrane urządzenie pozwoli na lepsze i bezpieczniejsze wykonanie pracy, we właściwym dla urządzenia tempie.
  - b) **Z elektronarzędzia akumulatorowego nie należy korzystać, jeśli nie można go włączyć i wyłączyć przy pomocy przełącznika.** Urządzenie, którego nie można kontrolować używając przełącznika jest niebezpieczne i powinno być oddane do naprawy.
  - c) **Przed przystąpieniem do regulowania elektronarzędzi akumulatorowych, wymiany akcesoriów lub przygotowywania urządzeń do okresu przechowywania, należy odłączyć wtyczkę od źródła zasilania.** Tego typu środki ostrożności zmniejszają ryzyko przypadkowego uruchomienia urządzenia.
  - d) **Nieczynne elektronarzędzia akumulatorowe należy przechowywać poza zasięgiem dzieci. Nie należy pozwolić, aby osoby nie znające urządzenia lub niniejszych instrukcji obsługiwały urządzenie.** Elektronarzędzia akumulatorowe w rękach niekompetentnych użytkowników stanowią zagrożenie.
  - e) **Elektronarzędzia akumulatorowe należy utrzymywać w dobrym stanie technicznym. Należy sprawdzać, czy części ruchome są właściwie założone, i czy się nie zacinają. Należy również sprawdzać, czy jakieś części nie są uszkodzone oraz sprawdzać wszelkie inne elementy, które**

- mogą wpłynąć na pracę urządzeń. Jeśli urządzenie jest uszkodzone, przed przystąpieniem do jego użytkowania, należy je naprawić. Często przyczyną wypadków jest zły stan techniczny urządzeń.
- f) **Narzędzia służące do cięcia powinny być naostrzone i utrzymywane w czystości.** Jeśli narzędzia służące do cięcia, które posiadają ostre krawędzie tnące, są właściwie konserwowane, istnieje mniejsze prawdopodobieństwo ich zacinania się. Ponadto, łatwiej je kontrolować.
- g) **Elektronarzędzia akumulatorowego, akcesoriów, nakładek, itp. należy używać zgodnie z niniejszymi instrukcjami oraz w sposób właściwy dla danego rodzaju urządzenia, z uwzględnieniem warunków pracy oraz jej rodzaju.** Używanie urządzenia niezgodnie z przeznaczeniem może prowadzić do powstania sytuacji niebezpiecznych.
- h) **Uchwyty należy utrzymywać w stanie suchym, czystym i niezabrudzonym olejem lub smarem.** Śliszkie uchwyty i powierzchnie do chwytania nie pozwalają na bezpieczne obchodzenie się z narzędziami i panowanie nad nimi w nieoczekiwanych sytuacjach.
- 5) **Użytkowanie i konserwacja urządzenia zasilanego akumulatorami**
- a) **Ładować tylko przy użyciu ładowarki określonej przez producenta.** Ładowarka przewidziana dla jednego rodzaju akumulatorów stwarza ryzyko pożaru w przypadku użycia jej z innym zestawem akumulatorów.
- b) **Należy używać jedynie akumulatorów przeznaczonych dla danego urządzenia.** Użycie innych akumulatorów stwarza ryzyko wystąpienia obrażeń ciała lub pożaru.
- c) **Kiedy akumulatorki nie są używane, należy przechowywać je z dala od przedmiotów metalowych, takich jak spinacze do papieru, monety, klucze, gwoździe, śruby lub inne niewielkie przedmioty metalowe, które mogłyby spowodować zwarcie pomiędzy stykami.** Zwarcie styków akumulatorka może spowodować pożar.
- d) **W przypadku przeciążenia z akumulatorka może wycieknąć płyn; nie należy go dotykać. W razie przypadkowego kontaktu przemyć skórę wodą. W przypadku dostania się płynu do oczu należy skontaktować się z lekarzem.** Płyn z akumulatorka może powodować podrażnienia lub oparzenia.
- e) **Nie używać uszkodzonego ani zmodyfikowanego akumulatora lub narzędzia.** Uszkodzone lub zmodyfikowane akumulatory mogą działać w sposób nieoczekiwany, co może powodować pożar, wybuch lub ryzyko obrażeń ciała.
- f) **Nie wystawiać akumulatora ani narzędzia na działanie płomienia lub zbyt wysokiej temperatury.** Narażenie na działanie płomienia lub temperatury powyżej 130°C może spowodować wybuch. UWAGA Temperaturę „130 °C“ można zastąpić temperaturą „265 °F“.
- g) **Przestrzegać wszystkich instrukcji ładowania i nie ładować akumulatora ani narzędzia poza zakresem temperatury podanym w instrukcji.** Nieprawidłowe ładowanie lub ładowanie w temperaturze poza podanym zakresem może spowodować uszkodzenie akumulatora i zwiększyć ryzyko pożaru.
- 6) **Serwis**
- a) **Zlecać serwisowanie elektronarzędzie wykwalifikowanemu technikowi stosującymi jedynie części zamienne identyczne z oryginalnymi.** Zapewni to zachowanie bezpieczeństwa elektronarzędzia.
- b) **Nigdy nie serwisować uszkodzonych akumulatorów.** Serwisowanie akumulatorów może przeprowadzać wyłącznie producent lub autoryzowany serwis.

#### DODATKOWE OSTRZEŻENIA DOTYCZĄCE BEZPIECZEŃSTWA NARZĘDZI WIELOFUNKCYJNYCH



*Styczeńność z pyłem lub wdychanie pyłu powstającego podczas użytku (np. z powierzchni pomalowanych farbą ołowiową, drewna i metalu) może być groźne dla zdrowia użytkownika i osób postronnych. Zawsze korzystaj z odpowiednich środków ochronnych, jak maska przeciwpyłowa. Zawsze używaj odpowiedniego odsysania pyłu podczas użytkowania.*

- Nie pracować z materiałami zawierającymi azbest. Azbest jest uznawany za substancję rakotwórczą.
- Nie pracować z metalem o zawartości magnezu przekraczającej 80%.
- Zachować szczególną ostrożność podczas obróbki malowanych powierzchni.
- Nie używać akcesoriów, które nie są specjalnie przeznaczone do tego narzędzia i zalecane przez jego producenta. Ryzyko obrażeń ciała.



- Sprawdzać maszynę i akcesoria przed każdym użyciem. Nie używać zgiętych, pękniętych lub inaczej uszkodzonych akcesoriów. Jeśli maszyna lub jedno z akcesoriów zostanie upuszczone, sprawdzić maszynę lub akcesorium pod kątem uszkodzeń. W razie potrzeby wymienić akcesorium.
- Używać wyłącznie akcesoriów zalecanych przez producenta.
- Używać wyłącznie akcesoriów dopasowanych do zastosowania.
- Używać wyłącznie akcesoriów o właściwych wymiarach.
- Nie używać akcesoriów wymagających płynnych chłodziw. Ryzyko porażenia prądem.
- Zapewnić poprawne zamontowanie akcesoriów. Nie używać adapterów ani innych pomocy montażowych do mocowania akcesoriów przeznaczonych do innej średnicy wrzeciona.
- Dopilnować, aby maksymalna prędkość akcesorium była wyższa lub równa maksymalnej prędkości narzędzia. Skorzystać z tabliczki znamionowej na narzędziu.
- Pozwolić maszynie pracować bez obciążenia w bezpiecznym miejscu po zamontowaniu akcesoriów. Jeśli maszyna silnie drga, wyłączyć ją niezwłocznie, odłączyć wtyczkę zasilania z gniazdka sieciowego i podjąć próbe usunięcia problemu.
- Zapewnić prawidłowe podparcie lub zamocowanie obrabianego przedmiotu.
- Nosić okulary ochronne. Nosić ochronniki słuchu. Nosić maskę przeciwpyłową. W razie potrzeby korzystać z innych środków ochrony, jak rękawice ochronne, buty ochronne itp. Ryzyko obrażeń ciała.
- Nie pozwalać osobom postronnym zbliżyć się do obszaru pracy. Dopilnować, aby wszystkie osoby znajdujące się w obszarze pracy korzystały ze środków ochrony osobistej. Ryzyko obrażeń ciała.
- Trzymać kabel sieciowy z dala od obracającego się akcesorium. Jeśli kabel sieciowy dotknie obracającego się akcesorium, dłonie lub ręce operatora mogą zetknąć się z akcesorium. Ryzyko obrażeń ciała.
- Trzymać maszynę za izolowane powierzchnie do chwytania, jeśli istnieje ryzyko zetknięcia się akcesorium z niewidocznym okablowaniem lub kablem sieciowym. Jeśli akcesorium dotknie przewodu pod napięciem, odstąpięte metalowe

części maszyny również znajdują się pod napięciem. Ryzyko porażenia prądem.

- Nie uruchamiać narzędzia podczas przenoszenia go u boku. Ryzyko obrażeń ciała.
- Nie używać narzędzia w pobliżu materiałów łatwopalnych. Ryzyko pożaru.
- Pamiętać, że akcesorium obraca się jeszcze przez chwilę po wyłączeniu maszyny. Nie próbować własnoręcznie zatrzymać akcesorium.
- Nigdy nie odkładać maszyny na stół albo blat roboczy przed jej wyłączeniem.
- Regularnie czyścić otwory wentylacyjne. Ryzyko porażenia prądem.

### Bezpieczeństwo elektryczne



*Zawsze sprawdzać, czy napięcie w sieci odpowiada napięciu na tabliczce znamionowej urządzenia.*

- Nie używać urządzenia, jeśli przewód zasilający lub wtyczka jest uszkodzona.
- Używać wyłącznie takich przedłużaczy, które są odpowiednie dla mocy znamionowej urządzenia, o średnicy minimum 1,5 mm<sup>2</sup>. W przypadku używania przedłużacza na szpuli, całkowicie rozwinąć przewód.

## 2. INFORMACJE O MASZYNE

### Przeznaczenie

To narzędzie wielofunkcyjne jest przeznaczone do lekkiego szlifowania drewna, piłowania I skrobania.

### DANE TECHNICZNE

Nr modelu	OT502AC / S_OT502AC
Napięcie w sieci	220-240 V
Częstotliwość w sieci	50 Hz
Moc wejściowa	300 W
Prędkość bez obciążenia	0-23.000 /min
Ciężar	1.21 kg
Ciśnienie akustyczne (Lpa)	85 dB(A)
Moc akustyczna (Lwa)	96 dB(A)
Niepewność (K)	3 dB(A)
Wibracje (piłowanie stali)	7.28 m/s <sup>2</sup>
Niepewność (K)	1.5 m/s <sup>2</sup>



Nosić ochronniki słuchu.

### Poziom drgań

Poziom emisji drgań podany w tej instrukcji obsługi został zmierzony zgodnie ze standaryzowanym testem podanym w normie EN 60745; może on służyć do porównywania narzędzi ze sobą oraz do wstępnego oszacowania ekspozycji na drgania podczas użytkowania narzędzia do podanych zastosowań

- używanie narzędzia do innych zastosowań lub z innymi lub źle konserwowanymi akcesoriami może znacząco zwiększać poziom ekspozycji
- okresy, gdy narzędzie jest wyłączone lub okresy, gdy jest włączone, ale nie pracuje, mogą znacząco zmniejszać poziom ekspozycji

Chronić się przed wpływem drgań, konserwując odpowiednio narzędzie i akcesoria, utrzymując ciepłotę dłoni oraz odpowiednio organizując pracę.

### OPIS

Liczby w tekście odnoszą się do rysunków na stronie 2.

1. Włącznik
2. Pokrętko regulacji obrotów
3. Miejsce montażu akcesoriów
4. Uchwyt
5. Dźwignia szybkiej wymiany
6. Pojemnik na szczotkę węglową

## 3. MONTAŻ



Przed montażem należy zawsze wyłączyć urządzenie i odłączyć od sieci zasilającej.

Podkładka szlifująca oraz papier ścierny należy używać do zastosowań wymagających szlifowania.

### Demontaż i montaż akcesoriów (Rys. B)

- Zwolnić dźwignię szybkiej wymiany (5) i przesunąć akcesorium naprzód, aby wyjąć je z uchwytu.
- Wsunąć akcesorium w uchwyt i zamocować je dźwignią szybkiej wymiany (5).

## 4. OBSŁUGA

### Włączanie i wyłączanie (Rys. A)

- Aby włączyć maszynę, przesunąć włącznik (1) naprzód.
- Aby wyłączyć maszynę, przesunąć włącznik (1) wstecz.

### Ustawianie prędkości (Rys. A)

Pokrętko regulacji obrotów służy do ustawiania prędkości obrotowej. Pokrętko regulacji obrotów można ustawić na jedno z 6 położań. Idealna prędkość zależy od zastosowania i obrabianego materiału.



Nie ustawiać prędkości podczas użytku.

- Obrócić pokrętko regulacji obrotów (2) w żądane położenie.

### Porady dotyczące optymalnego użytkowania

- Zaciśnąć obrabiany element. Używać urządzenia ściskającego (np. imadła) do małych obrabianych przedmiotów.
- Narysować linię, aby określić kierunek prowadzenia akcesorium.
- Mocno trzymać maszynę za uchwyt.
- Włączyć maszynę.
- Poczekać, aż maszyna osiągnie maksymalne obroty.
- Umieścić akcesorium na obrabianym elemencie.
- Powoli przesuwając maszynę wzdłuż narysowanej wcześniej linii, mocno dociskając akcesorium do obrabianego elementu.
- Nie naciskać maszyny za mocno. Pozwolić jej wykonać swoją pracę.
- Wyłączyć maszynę i poczekać, aż całkowicie się zatrzyma przed jej odłożeniem.

## 5. KONSERWACJA



Przed czyszczeniem i konserwacją należy zawsze wyłączyć urządzenie i odłączyć od sieci zasilającej.

- Regularnie czyścić obudowę za pomocą miękkiej szmatki.
- Usuwać pył i zanieczyszczenia z otworów wentylacyjnych. W razie konieczności użyć miękkiej, wilgotnej szmatki do usunięcia pyłu i zanieczyszczeń z otworów wentylacyjnych.

**Wymiana akcesoriów (Rys. B)**

Zużyte lub uszkodzone akcesoria należy bezzwłocznie wymienić.



*Należy używać wyłącznie ostre i nieuszkodzone akcesoria.*

- Aby zdjąć akcesorium, postępować w sposób opisany w odpowiednim rozdziale.
- Aby zamontować akcesorium, postępować w sposób opisany w odpowiednim rozdziale.

**SRODOWISKO**

*Uszkodzone i/lub niepotrzebne urządzenia elektryczne lub elektroniczne podlegają zbiórce w odpowiednich punktach recyklingu.*

**Tylko kraje WE**

Nie wyrzucać elektronarzędzi wraz z odpadami z gospodarstw domowych. Zgodnie z dyrektywa 2012/19/WE dotycząca zużytych urządzeń elektrycznych i elektronicznych oraz jej wdrożeniem do prawodawstwa krajowego, elektronarzędzia, które już nie nadają się do użytku, podlegają oddzielnej zbiórce oraz utylizacji w sposób przyjazny dla środowiska.

**GWARANCJA**

Produkty VONROC są wytwarzane zgodnie z najwyższymi standardami jakości i producent udziela gwarancji na wady materiałowe i wady wykonania na okres wymagany prawem, licząc od dnia zakupu. Jeśli wystąpi usterka produktu w tym okresie spowodowana wadą materiałową i/lub wadą wykonania, proszę bezpośrednio skontaktować się ze sprzedawcą VONROC.

Następujące okoliczności powodują unieważnienie gwarancji:

- Przeprowadzono naprawy lub modyfikacje narzędzia w serwisie innym lub autoryzowany lub podjęto ich próbę;
- Normalne zużycie nie jest objęte gwarancją;
- Narzędzie było używane niezgodnie z przeznaczeniem, źle z nim się obchodzono lub było nieprawidłowo konserwowane;
- Użyto części zamiennych innych niż oryginalne.

Niniejsza gwarancja to wyłączna gwarancja producenta i nie obowiązują żadne inne wyrażone ani dorozumiane gwarancje. Nie obowiązują żadne inne wyrażone ani dorozumiane gwarancje o zakresie przekraczającym niniejszą gwarancję, co obejmuje dorozumiane gwarancje przydatności do sprzedaży i przydatności do określonego celu. W żadnym przypadku firma VONROC nie ponosi odpowiedzialności za straty przypadkowe lub wynikowe. Zadośćuczynienie sprzedawcy jest ograniczone do naprawy lub wymiany niezgodnych urządzeń lub części.

**Produkt i instrukcja obsługi podlegają zmianom.**

**Dane techniczne podlegają zmianom bez uprzedzenia.**

## 1. INSTRUCȚIUNI DE SIGURANȚĂ

Citiți avertizările de siguranță, avertizările de siguranță suplimentare și instrucțiunile. Nerespectarea avertizărilor de siguranță poate cauza producerea de electrocutări, incendii și/sau răniri grave. Păstrați avertismentele de siguranță și instrucțiunile pentru consultări ulterioare.

În manualul de utilizare sau pe produs se utilizează următoarele simboluri:



*Citiți manualul de utilizare.*



*Pericol de rănire corporală.*



*Pericol de electrocutare.*



*Îndepărtați imediat fișa de la priza de rețea în cazul în care cablul de alimentare se deteriorează în timpul procedurilor de curățare și de întreținere.*



*Pericol de proiectare a obiectelor. Nu permiteți accesul altor persoane în zona de lucru.*



*Purtați ochelari de protecție.  
Purtați protecții antifonice.*



*Purtați o mască antipraf.*



*Turație variabilă electronic.*



*Nu eliminați produsul în containere neadecvate.*



*Produsul este în conformitate cu standardele de siguranță aplicabile din directivele europene.*

### AVERTISMENTE GENERALE DE SIGURANȚĂ PRIVIND UNELTELE ELECTRICE



**AVERTISMENT! Citiți toate avertismentele de siguranță și toate instrucțiunile.** Nerespectarea avertismentelor și instrucțiunilor poate cauza producerea de electrocutări, incendii și/sau răniri grave.

**Păstrați toate avertismentele și instrucțiunile pentru consultare ulterioară.**

Termenul „unealtă electrică” din avertismente se referă la scula electrică (cu fir) sau la unealta electrică cu baterie (fără fir).

#### 1) Siguranța zonei de lucru

- Păstrați zona de lucru curată și bine iluminată.** Zonele dezordonate sau întunecate duc la accidente.
- Nu operați uneltele electrice în atmosfere explozive, cum ar fi în prezența lichidelor, gazelor sau pulberilor explozive.** Uneltele electrice generează scânteii care pot aprinde pulberea sau fumul inflamabil.
- Țineți la distanță copiii și persoanele din jur în timp ce operați o unealtă electrică.** Distragerile vă pot cauza pierderea controlului.

#### 2) Siguranța electrică

- Ștecherile uneltelor electrice trebuie să se potrivească cu priza. Nu modificați niciodată în nici un fel mufele. Nu folosiți adaptoare de priză cu scule electrice legate de pământ (împământate).** Mufele nemodificate și prizele adecvate reduc riscul șocului electric.
- Evitați contactul corpului cu suprafețele împământate precum țevi, radiatoare, cuptoare și frigider.** Există un risc mai mare de electrocutare dacă vă este corpul împământat.
- Nu expuneți uneltele electrice la ploaie sau condiții de umezeală.** Apa care pătrunde într-o unealtă electrică va spori riscul de electrocutare.
- Nu manipulați necorespunzător cablul. Nu folosiți niciodată cordonul pentru a purta, a trage sau a deconecta unealta. Feriți cordonul de căldură, ulei, margini ascuțite sau piese mobile.** Cordoane distruse sau încurcate cresc riscul de electrocutare.
- Atunci când operați o unealtă de lucru în aer liber, utilizați un cablu prelungitor pentru exterior.** Folosirea unui cordon potrivit pentru utilizarea în exterior reduce riscul de șoc electric.
- În cazul în care operarea unei unelte electrice într-un spațiu cu umiditate nu poate fi evitată, utilizați o alimentare cu protecție pentru dispozitivele de curent rezidual (RCD).** Utilizarea unui RCD reduce riscul de electrocutare.

#### 3) Siguranța personală

- Fiți precauți, fiți atenți la ceea ce faceți și respectați regulile de bun simț atunci când**

- operați o unealtă electrică. Nu utilizați o unealtă electrică atunci când sunteți obosit sau sub influența medicamentelor, alcoolului sau medicației.** Un moment de neatenție în timpul operării uneltelor electrice poate conduce la vătămări corporale grave.
- b) **Utilizați echipamentul de protecție corporală. Purtați întotdeauna protecție pentru ochi.** Echipamentul de protecție precum masca de praf, pantofii de protecție antiderapați, casca de protecție sau protecția auzului utilizate în condiții adecvate vor reduce rănilor personale.
- c) **Prevenirea pornirii neintenționate. Asigurați-vă că comutatorul este în poziția-oprit înainte de a vă conecta la sursa de alimentare și / sau la baterie, de a ridica sau purta instrumentul.** Purtarea de unelte electrice ținând degetul pe comutator sau alimentarea uneltelor electrice care au comutatorul pornit duce la accidente.
- d) **Îndepărtați orice cheie sau clește de reglare înainte de a porni unealta electrică.** O cheie sau un clește rămas atașat la o componentă rotativă a unelei electrice poate conduce la vătămări corporale.
- e) **Nu vă întindeți pentru a apuca unealta de lucru. Mențineți-vă întotdeauna stabilitatea și echilibrul.** Acest lucru permite un control mai bun al unelei electrice în situații neașteptate.
- f) **Îmbrăcați-vă corespunzător. Nu purtați haine largi sau bijuterii. Țineți-vă părul, îmbrăcămintea și mânușile departe de piesele mobile.** Hainele largi, bijuteriile sau părul lung pot fi prinse în părțile mobile.
- g) **În cazul în care dispozitivele prezintă posibilitatea conectării de accesorii pentru aspirația și colectarea prafului, asigurați-vă că aceste accesorii sunt conectate și utilizate în mod corespunzător.** Utilizarea colectării prafului poate reduce pericolele legate de praf.
- h) **Nu lăsați ca obișnuința obținută prin utilizarea frecventă a uneltelor să vă permită să deveniți impasibil și să ignorați principiile de siguranță în utilizarea uneltelor.** O acțiune neglijentă poate provoca accidente grave într-o fracțiune de secundă.
- 4) Utilizarea și îngrijirea unelei electrice**
- a) **Nu forțați unealta electrică. Utilizați unealta electrică adecvată aplicației dvs.** Unealta electrică corectă va face munca mai bine și mai sigur la rata pentru care a fost proiectată.
- b) **Nu utilizați unealta electrică în cazul în care întrerupătorul nu comută în poziția pornit și oprit.** Orice unealtă electrică care nu poate fi controlată cu comutatorul este periculoasă și trebuie reparată.
- c) **Deconectați ștecherul de la sursa de alimentare și/sau acumulatorul de la unealta electrică înainte efectuării oricăror reglaje, modificării accesoriilor sau depozitării uneltelor electrice.** Aceste măsuri preventive de precauție reduc riscul de pornire accidentală.
- d) **Nu depozitați uneltele electrice în stare inactivă la îndemâna copiilor și nu permiteți persoanelor nefamiliarizate cu unealta de lucru sau cu aceste instrucțiuni să o utilizeze.** Uneltele electrice sunt periculoase în mâinile utilizatorilor neinstruiți.
- e) **Efectuați întreținerea uneltelor electrice. Verificați dacă piesele mobile sunt nealiniate sau înțepenite, dacă există piese sparte și în orice altă stare care poate să afecteze operațiunea unelei electrice. În cazul deteriorării, reparați unealta electrică înainte de uz.** Multe accidente sunt cauzate de unelte electrice slab întreținute.
- f) **Păstrați uneltele de tăiat ascuțite și curate.** Uneltele de tăiat corect întreținute cu muchii ascuțite au mai puține șanse să se lege și sunt mai ușor de controlat.
- g) **Utilizați unealta electrică, accesoriile și cuțitele unelei etc. conform acestor instrucțiuni, ținând cont de condițiile de lucru și de lucrarea ce trebuie să fie efectuată.** Utilizarea unelei electrice pentru operații diferite de cele pentru care a fost proiectată poate avea ca rezultat o situație periculoasă.
- h) **Țineți mânerul și suprafețele de prindere uscate, curate și lipsite de ulei și unsoare.** Mânere și suprafețele de prindere alunecoase nu permit manipularea și controlul unelei în de siguranță în situații neașteptate.
- 5) Utilizarea și îngrijirea bateriei unelei**
- a) **Reîncărcați folosind exclusiv încărcătorul specificat de către producător.** Un încărcător adecvat pentru un anumit tip de acumulator poate genera risc de incendiu atunci când este utilizat cu un alt tip de acumulator.
- b) **Utilizați uneltele electrice exclusiv împreună cu acumulatorii specificați.** Utilizarea oricăror alți acumulatori poate genera riscuri de vătămare și incendiu.

- c) **Atunci când nu folosiți acumulatorul, păstrați-l ferit de alte obiecte metalice, precum agrafe de birou, monede, chei, cuie, șuruburi sau alte obiecte metalice mici care pot realiza conexiunea între cele două borne.** Scurtcircuitarea bornelor acumulatorului poate determina arsuri sau incendii.
- d) **În condiții de utilizare incorectă, este posibil să fie evacuat lichid din baterie; evitați contactul cu acesta. În cazul în care se produce accidental contactul, clătiți cu apă. Dacă lichidul intră în contact cu ochii, solicitați ajutor medical suplimentar.** Lichidul scurs din acumulator poate cauza iritații sau arsuri.
- e) **Nu folosiți un acumulator sau o unealtă care este deteriorată sau modificată.** Acumulatorii deteriorați sau modificați pot avea un comportament imprevizibil care rezultă în foc, explozie sau risc de rănire.
- f) **Nu expuneți acumulatorul sau unealta la foc sau temperatură excesivă.** Expunerea la foc sau temperaturi de peste 130 °C poate provoca explozie. **OBSERVAȚIE** Temperatura „130 °C” poate fi înlocuită cu temperatura „265 °F”.
- g) **Respectați toate instrucțiunile de încărcare și nu încărcați acumulatorul sau unealta în afara intervalului de temperatură specificat în instrucțiuni.** Încărcarea necorespunzătoare sau la temperaturi în afara domeniului specificat poate deteriora acumulatorul și poate crește riscul de incendiu.
- 6) Service**
- a) **Prevedeți repararea unelei de lucru de către o persoană calificată, folosind exclusiv piese de schimb identice.** Acest lucru va garanta păstrarea în siguranță a unelei electrice.
- b) **Niciodată nu servișați acumulatorii deteriorați.** Servisarea acumulatorilor ar trebui să fie efectuată numai de către producător sau furnizorii autorizați de service.

## AVERTIZĂRI SUPLIMENTARE DE SIGURANȚĂ PENTRU UNELTELE MULTIFUNCȚIONALE



Contactul sau inhalarea prafului eliberat în timpul utilizării (de exemplu, suprafețe vopsite, lemn și metal) vă poate pune în pericol sănătatea dvs. și a celor din jur. Purtați întotdeauna echipament de protecție adecvat, de exemplu, mască de praf. Utilizați întotdeauna o procedură adecvată de extragere a prafului.

- Nu folosiți materiale care conțin azbest. Azbestul este considerat cancerigen.
- Nu lucrați metal cu un conținut de magneziu mai mare de 80%.
- Aveți grijă când lucrați cu suprafețe vopsite.
- Nu utilizați accesorii care nu sunt special concepute și recomandate de producătorul mașinii. Pericol de rănire personală.
- Inspectați mașina și accesoriile înainte de utilizare. Nu utilizați accesorii care sunt îndoite, crăpate sau deteriorate. Dacă mașina sau unul din accesoriile sale sunt scăpate pe jos, verificați dacă mașina sau accesoriul prezintă semne de deteriorare. Dacă este necesar, înlocuiți accesoriul.
- Utilizați numai accesorii care sunt recomandate de producător.
- Utilizați numai accesorii care sunt adecvate pentru aplicație.
- Utilizați numai accesorii cu dimensiunile corecte.
- Nu utilizați accesorii ce necesită agenți de răcire lichizi. Pericol de electrocutare.
- Asigurați-vă că accesoriile sunt montate corect. Nu utilizați adaptoare sau alte elemente pentru montarea accesoriilor care au un alt diametru al axului.
- Asigurați-vă că viteza maximă a accesoriului este mai mare sau egală cu viteza maximă a mașinii. Consultați informațiile de pe plăcuța cu specificații tehnice a mașinii.
- Lăsați mașina să funcționeze fără sarcină într-o zonă sigură, după montarea accesoriilor. Dacă mașina vibrează puternic, opriți imediat mașina, decuplați cablul de rețea de la sursa de alimentare și încercați să remediați problema.
- Asigurați-vă că piesa de lucru este susținută sau fixată adecvat.
- Purtați ochelari de protecție. Purtați protecții antifonice. Purtați o mască antipraf. Dacă este necesar, utilizați alte mijloace de protecție, de exemplu, ochelari de protecție, încălțăminte de protecție, etc. Risc de rănire personală.
- Nu permiteți accesul altor persoane în zona de lucru. Asigurați-vă că toate persoanele din zona de lucru poartă echipament de protecție. Pericol de rănire personală.
- Păstrați cablul de alimentare departe de accesoriile rotative. În cazul în care cablul de alimentare atinge accesoriile rotative, mâinile sau brațele pot intra în contact cu accesoriul. Pericol de rănire personală.

- Țineți mașina de suprafețele de izolare, întrucât accesoriul poate intra în contact cu firele ascunse sau cu cablul de alimentare. Dacă accesoriul intră în contact cu un cablul aflat sub tensiune, componentele metalice expuse ale mașinii se vor afla, de asemenea, sub tensiune. Pericol de electrocutare.
- Nu lăsați mașina să funcționeze în timp ce o transportați. Pericol de rănire personală.
- Nu utilizați mașina în apropierea materialelor inflamabile. Pericol de incendiu.
- Aveți grijă deoarece accesoriul continuă să se rotească o perioadă scurtă de timp după oprirea mașinii. Nu încercați să opriți dumneavoastră accesoriul.
- Nu așezați mașina pe o masă sau pe o suprafață de lucru înainte de oprirea acesteia.
- Curățați cu regularitate orificiile de ventilație. Pericol de electrocutare.

#### Instrucțiuni de siguranță privind alimentarea electrică



Verificați întotdeauna ca tensiunea de la alimentarea cu energie să corespundă tensiunii de pe plăcuța cu specificații.

- Nu utilizați aparatul în cazul în care cablul de alimentare sau ștecherul este deteriorat sau defect.
- Folosiți numai cabluri prelungitoare adecvate pentru puterea mașinii cu o grosime minimă de 1,5 mm<sup>2</sup>. Dacă utilizați o bobină de cablu de extensie, derulați întotdeauna complet cablul.

## 2. INFORMAȚII CU PRIVIRE LA MAȘINĂ

#### Domeniul de utilizare

Scula dvs. multifuncțională a fost concepută pentru aplicații ușoare de șlefuire, tăiere și decapare.

#### SPECIFICAȚII TEHNICE

Nr. model	OT502AC / S_OT502AC
Tensiune rețea	220-240 V
Frecvența prizei	50 Hz
Puterea de alimentare	300 W
Turație la mers în gol	0-23.000 /min
Greutate	1,21 kg
Presiune sonoră (Lpa)	85 dB(A)
Putere acustică (Lwa)	96 dB(A)

Marjă (K)	3 dB(A)
Vibrație (tăiere în oțel)	7,28 m/s <sup>2</sup>
Marjă (K)	1,5 m/s <sup>2</sup>



Purtați protecții antifonice.

#### Nivelul vibrațiilor

Nivelul emisiilor de vibrații menționat în acest manual de instrucțiuni a fost măsurat în conformitate cu un test standardizat precizat în EN 60745; poate fi folosit pentru a compara o sculă cu alta și ca evaluare preliminară a expunerii la vibrații atunci când folosiți scula pentru aplicațiile menționate.

- utilizarea sculei pentru aplicații diferite sau cu accesorii diferite și prost întreținute, poate crește semnificativ nivelul de expunere.
- momentele în care aparatul este oprit sau când funcționează dar nu execută nicio lucrare, pot reduce semnificativ nivelul de expunere.

Protejați-vă împotriva efectelor vibrațiilor prin întreținerea sculei și a accesoriilor sale, păstrând mâinile calde și organizând procesele de lucru.

#### DESCRIERE

Numerele din text se referă la diagramele de la pagina 2.

1. Comutator pornire/oprire
2. Rotiță de reglare a vitezei
3. Punct de montare pentru accesorii
4. Mâner
5. Manetă de schimbare rapidă
6. Capac perie de cărbune

## 3. ASAMBLAREA



Înainte de asamblare, opriți alimentarea electrică a mașinii și deconectați fișa cablului de alimentare de la priza de rețea.

Pentru aplicațiile de șlefuire utilizați padul de șlefuire și hârtia de șlefuire.

#### Demontarea și montarea accesoriilor (Fig. B)

- Eliberați maneta de schimbare rapidă (5) și glisați accesoriul înainte pentru a îl scoate din suport.
- Glisați accesoriul în mâner și strângeți maneta de schimbare rapidă (5).

## 4. OPERAREA

### Pornirea și oprirea (Fig. A)

- Pentru a porni mașina, glisați comutatorul de pornire/oprire (1) către partea din față.
- Pentru a opri mașina, glisați comutatorul de pornire/oprire (1) către partea din spate.

### Setarea vitezei (Fig. A)

Discul de reglare a vitezei este utilizat pentru setarea vitezei. Discul de reglare a vitezei poate fi setat pe 6 poziții. Viteza ideală depinde de aplicație și de materialul folosit.



*Nu setați viteza în timpul utilizării.*

- Rotiți discul de reglare a vitezei (2) în poziția necesară.

### Sfaturi pentru utilizarea optimă

- Fixați piesa de lucru. Utilizați un dispozitiv de fixare pentru piese de prelucrat mici.
- Trasați o linie pentru a defini direcția în care trebuie ghidat accesoriul.
- Țineți cu fermitate mașina de mâner.
- Porniți mașina.
- Așteptați până când mașina atinge turația maximă.
- Poziționați accesoriul pe piesa de lucru.
- Deplasați încet mașina de-a lungul liniei trasate anterior, apăsând cu fermitate accesoriul pe piesa de lucru.
- Nu aplicați o presiune excesivă asupra mașinii. Lăsați mașina să execute operația.
- Opritiți mașina și așteptați oprirea completă a mașinii înainte de a așeza mașina.

## 5. ÎNTREȚINEREA



*Înainte de curățare și întreținere, opriți alimentarea electrică a aparatului și deconectați fișa cablului de alimentare de la priza de rețea.*

- Curățați cu regularitate carcasa cu o cârpă moale.
- Curățați fantele de aerisire de praf și murdărie. Dacă este necesar, folosiți o cârpă moale, umezită pentru a îndepărta praful de pe deschiderile de aerisire.

### Înlocuirea accesoriilor (fig. B)

Accesoriile uzate sau deteriorate trebuie înlocuite imediat.



*Utilizați numai accesorii ascuțite și nedeteriorate.*

- Pentru a îndepărta accesoriul, procedați așa cum este descris în secțiunea corespunzătoare.
- Pentru a monta accesoriul, procedați așa cum este descris în secțiunea corespunzătoare.

## MEDIU



*Aparatele electrice sau electronice deteriorate și/sau defecte trebuie colectate în locurile de reciclare corespunzătoare.*

### Numai pentru țările din CE

Nu aruncați echipamentele acționate electric împreună cu gunoiul menajer. Conform Indicației europene 2012/19/CE pentru echipamente electrice și electronice uzate și a implementării sale la nivel național, echipamentele acționate electric scoase din uz trebuie colectate separat și evacuate într-o manieră ecologică.

## GARANȚIE

Produsele VONROC sunt realizate la cele mai înalte standarde de calitate și sunt garantate în privința materialelor și a manoperei pentru întreaga perioadă de utilizare în garanție, începând cu data achiziției. În cazul în care produsul prezintă defecțiuni în perioada de garanție din cauza materialului defect și/sau a manoperei, contactați direct VONROC.

Următoarele circumstanțe sunt excluse de la această garanție:

- Reparațiile sau modificările care realizate sau care s-au încercat a fi efectuate de centre de service neautorizate;
- Uzura în condiții normale de utilizare;
- Unealta care a fost abuzată, utilizată într-un mod neglijent sau întreținută în mod inadecvat;
- Folosirea unor piese de schimb neoriginale.

Aceasta acoperă garanția companiei, explicită sau implicită. Nu există alte garanții explicite sau implicite care să se extindă dincolo de cele



indicate aici, incluzând garanțiile, vandabilitatea sau adecvarea pentru un anumit scop. În nicio situație, VONROC nu este responsabil pentru daunele incidentale sau consecvențiale. Reparațiile efectuate de reprezentant trebuie să fie limitate la reparațiile sau la înlocuirea unităților sau a pieselor neconforme.

**Produsul și manualul de utilizare pot suferi modificări. Specificațiile se pot modifica fără notificare prealabilă.**

## 1. INSTRUȚIÕES DE SEGURANÇA

Leia os avisos de segurança fornecidos, os avisos de segurança adicionais e as instruções. O não cumprimento dos avisos de segurança e das instruções pode resultar em choque eléctrico, incêndio e/ou ferimentos graves. Guarde todos os avisos e instruções para referência futura.

Os seguintes símbolos são utilizados no manual do utilizador ou no produto:



*Leia o manual do utilizador.*



*Risco de ferimentos.*



*Risco de choque eléctrico.*



*Retire de imediato a ficha da tomada de corrente se o cabo de corrente sofrer danos e durante a limpeza e manutenção.*



*Risco de projecção de objectos. Mantenha os passantes afastados da área de trabalho.*



*Use óculos de segurança.  
Use protecção auricular.*



*Use uma máscara de poeiras.*



*Velocidade electrónica variável.*



*Não elimine o produto em recipientes não adequados.*



*O produto está em conformidade com as normas de segurança aplicáveis nas directivas europeias.*

### AVISOS GERAIS DE SEGURANÇA SOBRE A FERRAMENTA ELÉCTRICA



**AVISO! Leia todos os avisos de segurança e instruções.** O não cumprimento dos avisos de segurança e as instruções podem resultar em choque eléctrico, incêndio e/ou ferimentos graves.

### Guarde todos os avisos e instruções para referência futura.

O termo “ferramenta eléctrica” indicado nos avisos diz respeito à ferramenta eléctrica com alimentação pela rede (com fio) ou por bateria (sem fio).

#### 1) Segurança da área de trabalho

- a) **Mantenha a área de trabalho limpa e devidamente iluminada.** As áreas obstruídas ou escuras são propícias para acidentes.
- b) **Não utilize ferramentas eléctricas em atmosferas explosivas, por exemplo, na presença de líquidos inflamáveis, gases ou poeiras.** As ferramentas eléctricas produzem faíscas que podem causar ignição de poeiras ou vapores.
- c) **Quando utilizar uma ferramenta eléctrica, mantenha as crianças e transeuntes afastados.** As distrações podem causar perda de controlo.

#### 2) Segurança eléctrica

- a) **As fichas da ferramenta eléctrica devem corresponder à tomada. Nunca modifique, de forma alguma, a ficha. Não utilize quaisquer fichas adaptadoras com ferramentas eléctricas ligadas à terra (massa).** As fichas e tomadas correspondentes não modificadas reduzem o risco de choque eléctrico.
- b) **Evite o contacto do corpo com superfícies ligadas à terra ou massa, como tubos, radiadores, fogões ou frigoríficos.** Há um maior risco de choque eléctrico se o corpo estiver ligado à terra ou à massa.
- c) **Não exponha as ferramentas eléctricas à chuva ou a ambientes húmidos.** A entrada de água numa ferramenta eléctrica aumenta o risco de choque eléctrico.
- d) **Não utilize o cabo de maneira abusiva. Nunca utilize o cabo para transportar, puxar ou desligar a ferramenta eléctrica. Mantenha o cabo afastado de fontes de calor, óleo, extremidades afiadas ou peças móveis.** Cabos danificados ou enrolados aumenta o risco de choque eléctrico.
- e) **Quando utilizar uma ferramenta eléctrica no exterior, opte por uma extensão adequada para utilização no exterior.** A utilização de um cabo adequado para utilização no exterior reduz o risco de choque eléctrico.
- f) **Se não for possível evitar trabalhar com uma ferramenta eléctrica num local húmido, utilize uma fonte de alimentação protegida por um dispositivo de corrente residual (DCR).** A uti-

lização de um DCR reduz o risco de choque eléctrico.

#### 3) Segurança eléctrica

- a) **Esteja atento, preste atenção ao que está a fazer e tenha bom senso quando utilizar uma ferramenta eléctrica. Não utilize uma ferramenta eléctrica quando estiver cansado ou sob o efeito de drogas, álcool ou medicamentos.** Um momento de distração durante a utilização de ferramentas eléctricas pode resultar em ferimentos graves.
- b) **Use equipamento de protecção individual. Use sempre protecção ocular.** O equipamento de protecção, como, por exemplo, máscara de poeiras, sapatos de segurança antiderrapantes, capacete de segurança ou protecção auditiva, utilizado nas condições adequadas, reduz o risco de ferimentos.
- c) **Evite accionamentos acidentais. Assegure-se de que o gatilho está desligado antes de ligar a ferramenta à corrente eléctrica e/ou as baterias e antes de levantar ou transportar a ferramenta.** O transporte de ferramentas eléctricas com o dedo colocado no interruptor ou a ligação à corrente das ferramentas eléctricas com o interruptor ligado pode dar origem a acidentes.
- d) **Retire eventuais chaves de ajuste ou chaves de fendas antes de ligar a ferramenta eléctrica.** Uma chave de fenda ou de ajuste montada numa peça rotativa da ferramenta eléctrica pode causar ferimentos.
- e) **Não tente chegar a pontos fora do alcance. Mantenha-se sempre numa posição firme e bem equilibrada.** Desta forma, será mais fácil controlar a ferramenta eléctrica em situações inesperadas.
- f) **Use vestuário adequado. Não use roupa larga ou jóias. Mantenha o cabelo, a roupa e as jóias afastados das peças móveis.** As roupas largas, as jóias ou o cabelo comprido podem ficar presos nestas peças.
- g) **Se for prevista a montagem de dispositivos de extracção e recolha de poeiras, assegure-se de que estão ligados e que são utilizados de forma correcta.** A utilização de dispositivos de extracção de poeiras pode reduzir os riscos inerentes.
- h) **Não permita que a familiaridade obtida através do uso frequente de ferramentas faça com que seja complacente e ignore os princípios de segurança da ferramenta.** Uma acção irreflectida

pode causar ferimentos graves numa fracção de segundos.

#### 4) Utilização e cuidados a ter com a ferramenta eléctrica

- a) **Não sobrecarregue a ferramenta eléctrica. Utilize a ferramenta eléctrica correcta para o seu trabalho.** A ferramenta eléctrica adequada efectua o trabalho de maneira mais eficiente e segura se for utilizada de acordo com a capacidade para a qual foi concebida.
- b) **Não utilize a ferramenta eléctrica se não conseguir ligar ou desligar o gatilho.** Qualquer ferramenta eléctrica que não possa ser controlada através do gatilho é perigosa e tem de ser reparada.
- c) **Retire a ficha da fonte de alimentação e/ou a bateria da ferramenta eléctrica, caso seja possível fazê-lo, antes de efectuar quaisquer ajustes, substituir acessórios ou guardar ferramentas eléctricas.** Estas medidas de segurança preventivas reduzem o risco de ligar a ferramenta eléctrica acidentalmente.
- d) **Mantenha as ferramentas eléctricas que não estiverem a ser utilizadas fora do alcance das crianças. Não permita que a ferramenta eléctrica seja utilizada por pessoas não familiarizadas com a mesma ou que não tenham lido estas instruções.** As ferramentas eléctricas são perigosas nas mãos de pessoas que não possuam as qualificações necessárias para manuseá-las.
- e) **Faça a manutenção das ferramentas eléctricas. Verifique se as peças móveis da ferramenta eléctrica estão alinhadas e não bloqueiam, bem como se existem peças partidas ou danificadas ou quaisquer outras condições que possam afectar o funcionamento da mesma. Se a ferramenta eléctrica estiver danificada, esta não deve ser utilizada até que seja reparada.** Muitos acidentes têm como principal causa ferramentas eléctricas com uma manutenção insuficiente.
- f) **Mantenha as ferramentas de corte limpas e afiadas.** As ferramentas de corte sujeitas a uma manutenção adequada, com arestas de corte afiadas, bloqueiam com menos frequência e controlam-se com maior facilidade.
- g) **Utilize a ferramenta eléctrica, os acessórios e as peças de ferramenta, etc., de acordo com estas instruções, considerando as condições de trabalho e a tarefa a ser executada.** A utiliza-

ção da ferramenta eléctrica para fins diferentes dos previstos pode resultar em situações perigosas.

- h) **Mantenha as pegas e as superfícies de fixação secas, limpas e sem óleo e gordura.** As pegas escorregadias e as superfícies de fixação não permitem o manuseamento seguro e o controlo da ferramenta em situações imprevistas.

#### 5) Utilização e cuidados a ter com a ferramenta com baterias

- a) **Recarregue apenas com o carregador especificado pelo fabricante.** Um carregador adequado para um tipo de bateria pode causar um incêndio se for utilizado com outra bateria.
- b) **Utilize apenas ferramentas eléctricas que tenham baterias especificamente concebidas.** A utilização de outro tipo de baterias pode causar ferimentos e incêndio.
- c) **Quando não utilizar a bateria, mantenha-a afastada de outros objectos metálicos, como cliques para papel, moedas, chaves, pregos, parafusos ou outros pequenos objectos metálicos que permitam fazer a ligação entre um terminal e outro.** O curto-circuito dos terminais da bateria pode causar queimaduras ou um incêndio.
- d) **Em condições abusivas, pode derramar líquido da bateria; evite o contacto. Se tocar acidentalmente no líquido, lave bem com água. Se o líquido entrar em contacto com os olhos, consulte um médico.** O líquido derramado da bateria pode causar irritação ou queimaduras.
- e) **Não utilize baterias ou ferramentas danificadas ou modificadas.** As baterias danificadas ou modificadas podem ter um comportamento inesperado, resultando em incêndio, explosão ou risco de ferimentos.
- f) **Não exponha a bateria ou a ferramenta ao fogo ou a temperaturas excessivas.** A exposição a fogo ou a temperaturas superiores a 130 °C podem causar uma explosão. NOTA: a temperatura "130 °C" pode ser substituída pela temperatura "265 °F".
- g) **Siga todas as instruções de carregamento e não carregue a bateria ou ferramenta fora do intervalo de temperaturas especificado nas instruções.** O carregamento inadequado ou de acordo com temperaturas fora do intervalo especificado pode danificar a bateria e aumentar o risco de incêndio.

## 6) Assistência

- a) **A sua ferramenta eléctrica só deve ser reparada por pessoal qualificado e só devem ser utilizadas peças sobresselentes idênticas.** Desta forma, é garantida a segurança da ferramenta eléctrica.
- b) **Nunca repare baterias danificadas.** A reparação de baterias deve ser efectuada apenas pelo fabricante ou fornecedores de assistência autorizados.

## AVISOS DE SEGURANÇA ADICIONAIS PARA FERRAMENTAS MÚLTIPLAS



*O contacto ou inalação de poeiras produzidas durante a tarefa (por exemplo, superfícies pintadas com chumbo, madeira e metal) pode pôr em perigo a sua saúde e a dos transeuntes. Use sempre equipamento de protecção adequado, como uma máscara de poeiras. Durante a utilização, utilize sempre uma extracção de poeira adequada.*

- Não utilize materiais que contenham amianto. O amianto é considerado cancerígeno.
- Não trabalhe com metais com um teor de magnésio superior a 80 %.
- Tenha muito cuidado quando pintar superfícies pintadas.
- Não utilize acessórios que não tenham sido concebidos e recomendados especificamente pelo fabricante. Risco de ferimentos.
- Inspeccione a máquina e os acessórios antes de cada utilização. Não utilize acessórios que estejam dobrados, rachados ou danificados. Se deixar cair a máquina ou um dos acessórios, inspeccione se a máquina ou o acessório apresentam danos. Se necessário, substitua o acessório.
- Utilize apenas os acessórios recomendados pelo fabricante.
- Utilize apenas os acessórios adequados para a aplicação.
- Utilize apenas acessórios com dimensões correctas.
- Não utilize acessórios que necessitem de líquidos de refrigeração. Risco de choque eléctrico.
- Verifique se os acessórios estão montados correctamente. Não utilize adaptadores ou outros meios de apoio para montar acessórios com um diâmetro do eixo diferente.
- Verifique se a velocidade máxima do acessório é superior ou igual à velocidade máxima da máquina. Consulte a placa sinalética na máquina.
- Deixe a máquina a funcionar sem carga numa área segura depois de montar os acessórios. Se a máquina começar a vibrar com intensidade, desligue a máquina de imediato, retire a ficha da tomada de corrente para resolver o problema.
- Verifique se a peça de trabalho está bem apoiada ou fixada.
- Use óculos de segurança. Use protecção auricular. Use uma máscara anti-poeira. Se necessário, utilize outros meios de protecção, por exemplo, luvas de segurança, sapatos de segurança, etc. Risco de ferimentos.
- Mantenha os transeuntes afastados da área de trabalho. Peça a todas as pessoas na área de trabalho para usar equipamento de protecção. Risco de ferimentos.
- Mantenha o cabo de alimentação afastado do acessório rotativo. Se o cabo de alimentação tocar no acessório rotativo, as suas mãos ou braços podem entrar em contacto com o acessório. Risco de ferimentos.
- Segure a máquina pelas superfícies de fixação isoladas se o acessório entrar em contacto com cablagem escondida ou o cabo de alimentação. Se o acessório entrar em contacto com um fio sob tensão, as peças metálicas expostas da máquina podem ficar sob tensão. Risco de choque eléctrico.
- Não ligue a ferramenta eléctrica quando estiver a transportá-la. Risco de ferimentos.
- Não utilize a máquina perto de materiais inflamáveis. Risco de incêndio.
- Tenha em atenção que o acessório continua a rodar durante um breve período depois de desligar a máquina. Não tente parar o acessório com a mão.
- Nunca coloque a máquina virada para baixo numa mesa ou uma bancada antes de desligá-la.
- Limpe as aberturas de ventilação com frequência. Risco de choque eléctrico.

### Segurança eléctrica



*Verifique sempre se a tensão da fonte de alimentação corresponde à tensão na placa sinalética.*

- Não utilize a máquina se o cabo de alimentação ou a ficha estiverem danificados.

- Utilize apenas extensões que sejam adequadas para a potência nominal da máquina com uma espessura mínima de 1,5 mm<sup>2</sup>. Se utilizar um enrolador de extensão, desenrole sempre o cabo por completo.

## 2. INFORMAÇÕES SOBRE A MÁQUINA

### Utilização pretendida

A sua ferramenta múltipla foi concebida para lixagem ligeira, serragem e raspagem.

### ESPECIFICAÇÕES TÉCNICAS

Modelo n.º	OT502AC/S_OT502AC
Tensão do sector	220 - 240 V
Frequência da rede	50 Hz
Alimentação	300 W
Velocidade sem carga	0 - 23,000/min
Peso	1,21 kg
Pressão sonora (L <sub>pa</sub> )	85 dB(A)
Potência sonora (L <sub>wa</sub> )	96 dB (A)
Variabilidade (K)	3 dB(A)
Vibração (serragem em aço)	7,28 m/s <sup>2</sup>
Variabilidade (K)	1,5 m/s <sup>2</sup>



Use protecção auricular.

### Nível de vibração

O nível de emissão de vibrações indicado neste manual de instruções foi medido em conformidade com um teste padrão especificado pela norma EN 60745; pode ser utilizado para comparar ferramentas e como avaliação preliminar da exposição a vibrações quando utilizar a ferramenta nas aplicações referidas

- a utilização da ferramenta para aplicações diferentes, ou com acessórios diferentes ou com uma manutenção deficiente, pode aumentar consideravelmente o nível de exposição
- o número de vezes que a ferramenta é desligada ou está ligada, mas não está a ser utilizada, pode reduzir significativamente o nível de exposição.

Proteja-se contra os efeitos da vibração, através de uma manutenção da ferramenta e dos respectivos acessórios, mantendo as mãos quentes e organizando os seus padrões de trabalho.

### DESCRIÇÃO

Os números indicados no texto dizem respeito aos diagramas na página 2.

- Interruptor para ligar/desligar
- Botão de ajuste da velocidade
- Ponto de montagem para acessórios
- Pega
- Alavanca de substituição rápida
- Tampa da escova de carbono

## 3. MONTAGEM



Antes de efectuar a montagem, desligue sempre a máquina e retire a ficha da tomada de corrente.

O patim de lixagem e a lixa devem ser utilizados para aplicações de lixagem.

### Remover e montar acessórios (Fig. B)

- Liberte a alavanca de substituição rápida (5) e deslize o acessório para a frente para removê-lo do suporte.
- Encaixe o acessório no suporte e aperte a alavanca de substituição rápida (5).

## 4. FUNCIONAMENTO

### Ligar e desligar (Fig. A)

- Para ligar a máquina, empurre o interruptor para ligar/desligar (1) para a frente.
- Para desligar a máquina, empurre de novo o interruptor para ligar/desligar (1) para trás.

### Regular a velocidade (Fig. A)

O botão de regulação da velocidade é utilizado para regular a velocidade. O botão de regulação da velocidade pode ser regulado para 6 posições. A velocidade adequada varia consoante a aplicação e o material que pretende trabalhar.



Não regule a velocidade durante a utilização.

- Rode o botão de regulação da velocidade (2) para a posição pretendida.

### Sugestões para uma excelente utilização

- Fixe a peça de trabalho. Utilize um dispositivo de fixação para peças de trabalho pequenas.
- Faça uma linha para definir a direcção de orientação do acessório.
- Segure a máquina com firmeza pela pega.
- Ligue a máquina.
- Aguarde até a máquina atingir a velocidade máxima.
- Coloque o acessório na peça de trabalho.
- Mova a máquina lentamente ao longo da linha desenhada previamente, premindo o acessório com firmeza contra a peça de trabalho.
- Não aplique demasiada pressão na máquina.
- Deixe a máquina fazer o trabalho.
- Desligue a máquina e aguarde até esta parar por completo antes de colocar a máquina no chão.

## 5. MANUTENÇÃO



*Antes de efectuar a limpeza e a manutenção, desligue sempre a máquina e retire a ficha de alimentação da tomada de corrente.*

- Limpe com frequência o compartimento com um pano macio.
- Limpe a sujidade e o pó das aberturas de ventilação. Se necessário, utilize um pano macio e húmido para remover a poeira e a sujidade das aberturas de ventilação.

### Substituir os acessórios (Fig. B)

Os acessórios gastos ou danificados devem ser substituídos de imediato.



*Utilize apenas acessórios afiados e não danificados.*

- Para remover o acessório, efectue o procedimento descrito na secção correspondente.
- Para montar o acessório, efectue o procedimento descrito na secção correspondente.

## AMBIENTE



*Os equipamentos eléctricos ou electrónicos defeituosos e/ou eliminados devem ser recolhidos em locais de reciclagem adequados.*

### Apenas para os países da CE

Não elimine as ferramentas eléctricas em conjunto com os resíduos domésticos. De acordo com a directiva europeia 2012/19/CE sobre resíduos de equipamentos eléctricos e electrónicos e a respectiva implementação na legislação nacional, as ferramentas eléctricas que já não sejam utilizadas devem ser recolhidas em separado e eliminadas de maneira ecológica.

## GARANTIA

Os produtos da VONROC são desenvolvidos de acordo com os padrões de qualidade mais elevados e não apresentam quaisquer defeitos em termos de materiais e mão-de-obra em relação ao período estipulado por lei, cujo início é a partir da data de compra original. Se o produto apresentar qualquer falha durante este período devido a qualquer defeito de material e/ou de mão-de-obra, contacte a VONROC directamente.

As seguintes circunstâncias estão excluídas desta garantia:

- Se forem efectuadas ou tentadas quaisquer reparações e/ou alterações na máquina por centros de assistência não autorizados;
- Desgaste normal;
- Se a ferramenta foi utilizada de maneira abusiva, indevida ou a manutenção for efectuada de maneira incorrecta;
- Se forem utilizadas peças sobresselentes não originais.

Isto constitui a única garantia feita pela empresa, de maneira expressa ou implícita. Não existem quaisquer outras garantias expressas ou implícitas que se prolonguem, incluindo as garantias implícitas de comercialização e adequação para fins específicos. A VONROC não será, em nenhuma circunstância, responsável por danos incidentais ou indirectos. Os fornecedores devem estar limitados a reparar ou substituir as unidades ou peças que não estejam em conformidade.

**O equipamento e o manual do utilizador estão sujeitos a alterações sem aviso prévio. As especificações podem ser alteradas sem aviso prévio.**

## 1. BIZTONSÁGI UTASÍTÁSOK

Olvassa el a mellékelt biztonsági figyelmeztetéseket, a kiegészítő biztonsági figyelmeztetéseket és az utasításokat. A figyelmeztetések és utasítások be nem tartása áramütéshez, tűz keletkezéséhez vagy akár súlyos személyi sérüléshez vezethet. Őrizze meg ezeket a biztonsági figyelmeztetéseket, mert a későbbiekben is szükség lehet rájuk.

A használati útmutatóban és a terméken a következő jelölésekkel találkozhat:



Olvassa el a használati útmutatót.



Személyi sérülés veszélye áll fenn.



Áramütés veszélye.



Azonnal húzza ki a hálózati csatlakozódugót, ha a kábel megsérült, amikor takarít és, ha karbantartást végez.



Repülő tárgyak veszélye. Ne engedje a munkaterületre a közelben tartózkodókat.



Viseljen biztonsági szemüveget. Vegyen fel hallásvédő eszközt.



Viseljen porvédő álarcot.



Elektromosan változtatható sebesség.



A terméket hulladékként ne tegye arra nem alkalmas konténerbe.



A termék megfelel az európai irányelvek releváns biztonsági követelményeinek.

### AZ ELEKTROMOS SZERSZÁMOKRA VONATKOZÓ ÁLTALÁNOS BIZTONSÁGI FIGYELMEZTETÉSEK



**FIGYELMEZTETÉS!** Olvasson el minden biztonsági figyelmeztetést és utasítást. A biztonsági figyelmeztetések és utasítások be nem tartása áramütést, tüzet és/vagy súlyos sérülést okozhat.

**Az összes figyelmeztetést és utasítást őrizze meg, mert később még szüksége lehet rájuk.**

A figyelmeztetéseket szereplő „szerszámgép”

kifejezés az Ön hálózatról működő (vezetékes) szerszámgépére vagy akkumulátorral működő (vezeték nélküli) szerszámgépére utal.

#### 1) A munkaterület biztonsága

- Gondoskodjon a munkaterület tisztaságáról és megfelelő megvilágításáról.** A rendezetlen és sötét területeken valószínűbb a balesetek előfordulása.
- Ne használjon szerszámgépeket robbanásveszélyes környezetben (pl. gyúlékony folyadékok, gázok és por jelenlétében).** A szerszámgépek használata során keletkező szikra lángra lobbanthatja a port és füstöt.
- A szerszámgép használata során a gyermekeket és a közelben tartózkodó személyeket tartsa távol a munkaterülettől.** Ha valami eltereli a figyelmét, elveszítheti az irányítást.

#### 2) Elektromos biztonság

- A szerszámgép dugóinak megfelelőnek kell lenniük az aljzathoz. Soha ne próbálja semmilyen módon módosítani a dugót. Földelt szerszámgépekhez ne használjon semmilyen adapterdugót.** Az eredeti (értsd: módosítás nélküli) dugók és megfelelő hálózati aljzatok használatával mérsékelhető az elektromos áramütés veszélye.
- Testével ne érjen földelt vagy testelt felületekhez, például csövekhez, radiátorokhoz, tűzhelyekhez vagy hűtőszekrényekhez.** Ha teste földelődik vagy testelődik, megnő az áramütés kockázata.
- Óvja a szerszámgépet az esőtől és nedves környezettől.** A szerszámgépbe kerülő víz növeli az elektromos áramütés veszélyét.
- Ne használja erőszakosan a kábelt. A kábelt soha ne használja a szerszámgép hordozására, húzására vagy az aljzathoz történő kihúzására. A kábelt tartsa távol hőforrásoktól, olajtól, hegyes élektől és mozgó alkatrészekről.** A sérült vagy megtekeredett kábelek növelik az elektromos áramütés veszélyét.
- A szerszámgép kültéri használata esetén kültéri használatra alkalmas hosszabbító kábelt használjon.** A kültéri használatra alkalmas kábel használatával mérsékelhető az elektromos áramütés veszélye.
- Ha a szerszámgépet mindenképpen nedves környezetben kell használni, akkor használjon áramvédő kapcsolóval (RCD) ellátott tápforrást.** Az áramvédő kapcsolóval ellátott tápforrás használatával mérsékelhető az elektromos áramütés veszélye.

### 3) Személyi biztonság

- a) **A szerszám gép használata során maradjon éber, koncentráljon az éppen végzett műveletre és használja a józan ítélőképességét. Ha fáradt, vagy ha kábítószer, alkohol vagy gyógyszer hatása alatt áll, ne használjon szerszám gépet.** A szerszám gépek használata közben egyetlen pillanatnyi figyelmetlenség is súlyos személyi sérülést okozhat.
- b) **Használjon egyéni védőeszközöket. Mindig viseljen szemvédő felszerelést.** A megfelelő körülményekhez való védőeszközökkel (például pormaszkkal, csúszásgátló biztonsági cipővel, munkavédelmi sisakkal vagy hallásvédő eszközzel) csökkenthető a személyi sérülések kockázata.
- c) **Gondoskodjon a gép véletlen elindulásának a megelőzéséről. A szerszám tápforráshoz és/vagy akkumulátorcsomaghoz történő csatlakoztatása, kézbevétele vagy hordozása előtt győződjön meg róla, hogy a kapcsoló OFF (kikapcs.) állásban van.** Ha úgy hordozza a szerszám gépet, hogy az ujjja a kapcsolón van, vagy úgy helyezi feszültség alá a szerszám gépet, hogy a kapcsolója ON (bekapcs.) helyzetben van, ez növeli a balesetek kockázatát.
- d) **A szerszám gép bekapcsolása előtt távolítsa el a csavar kulcsokat vagy beállító kulcsokat.** A szerszám gép forgó alkatrészein felejtett csavar kulcs vagy beállító kulcs személyi sérülést okozhat.
- e) **Ne próbáljon túlnyújtóztatva vagy kitekeredett testhelyzetben dolgozni. Mindig két lábbal, egyensúlyban álljon a talajon.** Így könnyebben tudja irányítani a szerszám gépet a váratlan helyzetekben.
- f) **Megfelelő öltözködést viseljen. Ne viseljen laza ruhát vagy ékszert. Haját, ruháját és kesztyűjét tartsa távol a mozgó alkatrészektől.** A mozgó alkatrészek behúzhatják a ruhákat, az ékszereket és a hosszú haját.
- g) **Ha rendelkezésre állnak a porelszívó és -gyűjtő rendszerek csatlakoztatására szolgáló eszközök, csatlakoztassa ezeket az eszközöket és használja őket megfelelően.** A porgyűjtő rendszerek használatával csökkenthető a porral kapcsolatos veszélyek.
- h) **Ne engedje, hogy a szerszámok gyakori használata során szerzett tapasztalatai túlzott biztonságérzetet keltsenek Önben, és amiatt elhanyagolja a biztonsági alapelveket.** Gondatlan cselekvés

már a másodperc töredéke alatt is súlyos sérülést okozhat.

### 4) A szerszám gép használata és ápolása

- a) **A szerszám gépet tilos túlzott erőfeszítéssel használni. Az alkalmazási célnak megfelelő szerszám gépet használjon.** A megfelelő szerszám gép biztonságosabban és hatékonyabban végzi a munkát azon a fordulatszámra, amire azt tervezték.
- b) **Ne használja a szerszám gépet, ha az nem kapcsolható be/ki a főkapcsolóval.** Bármely szerszám gép veszélyes lehet, amit a kapcsolóval nem lehet irányítani, ezért az ilyen szerszám gépet meg kell javíttatni.
- c) **Válassza le a dugót a tápforrásról és/vagy az akkumulátorcsomagot az elektromos szerszámról, mielőtt bármilyen módosítást végez, tartozékot cserél vagy eltávolítja az elektromos szerszámot.** Ezekkel a megelőző biztonsági intézkedésekkel csökkenthető a szerszám gép véletlen elindulásának a kockázata.
- d) **Az éppen nem használt szerszám gépeket olyan helyen tárolja, ahol a gyermekek nem férhetnek hozzájuk, és ne engedje, hogy olyan személyek használják a szerszám gépet, akik nem ismerik a szerszám gépet és ezeket az utasításokat.** A szerszám gépek rendkívül veszélyesek lehetnek szakképzetlen felhasználók kezeiben.
- e) **Tartsa karban a szerszám gépeket. Ellenőrizze, hogy a mozgó alkatrészek nem állítottak-e el vagy nem szorulnak-e, nincsenek-e a szerszámmon törött alkatrészek, és nem állnak-e fenn olyan körülmények, amelyek befolyásolhatják a szerszám működését. Ha a szerszám gép sérült, használat előtt javíttassa meg.** A nem megfelelően karbantartott szerszám gépek számos balesetet okoznak.
- f) **Tartsa élesen és tisztán a vágószerszámokat.** A megfelelően karbantartott, éles vágószerszámok beszorulásának kisebb a valószínűsége, ráadásul könnyebben irányíthatók.
- g) **A szerszám gépet, a tartozékokat és a szerszám szárazakat stb. a jelen utasításoknak megfelelően használja, a munkakörülmények és az elvégzendő feladat figyelembevételével.** Ha a szerszám gépet a rendeltetési céljától eltérően használják, ez veszélyhelyzetet teremthet.
- h) **Tartsa a fogantyúkat és egyéb markolási felületeket szárazon, tisztán, olajtól és zsírtól mentesen.** Váratlan helyzetekben a csúszós



fogantyúk és egyéb markolási felületek akadályozzák a szerszám biztonságos kezelését és irányítását.

### 5) Az akkumulátoros szerszám használata és ápolása

- a) **Újratöltéshez csak a gyártó által megjelölt töltőt használja.** Az egyik akkumulátorhoz megfelelő töltő másikkal együtt használva tűzveszélyes lehet.
- b) **Csak a kifejezetten hozzájuk készült akkumulátorral használja a szerszámgepeket.** Bármilyen másfajta akkumulátor használata tűz- és balesetveszélyt idézhet elő.
- c) **Amikor nem használja az akkucsomagot, tartsa azt távol minden fémes tárgytól, például tűzőkápocstól, érmétől, kulcstól, szögtől, csavartól és minden más apró fémtárgytól, amely a sarukat rövidre zárhatná.** Az akkumulátor kapcsok rövidre zárása égési sérülést vagy tüzet okozhat.
- d) **Agresszív körülmények között az akkumulátorból folyadék kerülhet ki; kerülje a vele való érintkezést. Ha véletlenül mégis a bőrre kerül, vízzel öblítse le. Ha a folyadék szembe kerül, forduljon orvoshoz.** Az akkumulátorból származó folyadék bőrirritató hatású, égési sérülést is okozhat.
- e) **Sérült vagy átalakított akkucsomagot és szerszámot ne használjon.** A sérült vagy átalakított akkumulátorok kiszámíthatatlanul viselkedhetnek, tüzet, robbanást vagy sérülést okozhatnak.
- f) **Tűztől és szélsőséges hőmérséklettől óvja az akkucsomagot és a szerszámot.** Ha tűznek vagy 130 °C-on felüli hőmérsékletnek teszi ki, robbanást okozhat. MEGJEGYZÉS: a „130 °C” „265 °F”-nak (Fahrenheit foknak) felel meg.
- g) **Tartsa be a töltésre vonatkozó összes útmutatást, és ne töltse se az akkucsomagot se a szerszámot a kezelési útmutatóban megadott tartományon kívül eső hőmérséklet mellett.** Nem megfelelő vagy a megadott tartományon kívüli hőmérséklet mellett történő töltés károsíthatja az akkumulátort, és tűzveszéllyel jár.

### 6) Szerviz

- a) **A szerszámgépet képzett javító szakemberrel javíttassa, csakis az eredetivel azonos pótalkatrészeket használjon fel.** Ez biztosítja, hogy a szerszámgép továbbra is biztonságos maradjon.
- b) **Sérült akkucsomagot soha ne szervizeljen.** Akkucsomagok szervizelését csak a gyártó vagy annak megbízott szolgáltatója végezheti.

## TOVÁBBI BIZTONSÁGI FIGYELMEZTETÉSEK TÖBBFUNKCIÓS GÉPEKRE VONATKOZÓAN



*A használat során felszabaduló porral való érintkezés vagy belélegzés (pl. ólomfestett felületek, fa és fém) veszélyeztetheti az Ön és a közelben tartózkodók egészségét. Mindig viseljen megfelelő védőfelszerelést, például porálarcot. Használat közben mindig megfelelő poreszívást használjon.*

- Ne dolgozzon azbeszttartalmú anyagokkal. Az azbeszt rákkeltőnek minősül.
- Ne dolgozzon 80%-nál magasabb magnézium-tartalmú fémekkel.
- Legyen nagyon óvatos, amikor festett felületeken dolgozik.
- Csak kifejezetten a termékhez készült vagy a gyártó által ajánlott tartozékokat használjon. Személyi sérülés veszélye áll fenn.
- Minden egyes használat előtt vizsgálja át a gépet és annak tartozékait. Ne használjon hajlított, repedt vagy más módon sérült tartozékokat. Ha leesett a gép, vagy valamelyik tartozéka, akkor vizsgálja meg, nem érte-e sérülés vagy kár a gépet vagy az adott tartozékokat. Szükség esetén cserélje ki a tartozékokat.
- Kizárólag a gyártó által javasolt tartozékokat használja.
- Kizárólag a felhasználásnak és alkalmazásnak megfelelő tartozékokat használja.
- Kizárólag megfelelő méretű tartozékokat használjon.
- Hűtőfolyadékokat igénylő tartozékokat ne használjon. Áramütés veszélye.
- Győződjön meg arról, hogy a tartozék megfelelően rögzítve van. Ne használjon adaptereket vagy más segédeszközöket más orsóátmérő tartozékok felszereléséhez.
- Győződjön meg arról, hogy a tartozék maximális fordulatszáma nagyobb vagy ugyanakkora, mint a gép maximális fordulatszáma. Tekintse meg a gép adattábláját.
- A tartozék(ok) felszerelése után hagyja a gépet terhelés nélkül, biztonságos helyen járni. Ha a gép erősen rezeg, azonnal kapcsolja ki a gépet, húzza ki a hálózati csatlakozódugót, és próbálja megoldani a problémát.
- Győződjön meg arról, hogy a munkadarab megfelelően meg van támasztva vagy rögzítve.
- Viseljen biztonsági szemüveget. Vegyen fel hallásvédő eszközt. Viseljen porvédő álarcot.

Ha szükséges, használjon más védőeszközöket, például védőkesztyűt, védőcipőt stb. Személyi sérülés veszélye áll fenn.

- Ne engedjen bámésszkódókat a munkaterületre. Győződjön meg arról, hogy a munkaterületen mindenki személyes védőfelszerelést visel. Személyi sérülés veszélye áll fenn.
- Tartsa távol a fő tápkábelt a forgó tartozékoktól. Ha a fő tápkábel hozzáér egy forgó tartozékhoz, akkor az Ön keze vagy karja hozzáérhet a tartozékhoz. Személyi sérülés veszélye áll fenn.
- Tartsa a gépet a szigetelt megfogható felületeken, ha a tartozék érintkezhet rejtett vezetékkel vagy a hálózati kábellel. Ha a tartozék feszültség alatt álló vezetékkel érintkezik, a gép szabadon lévő fém alkatrészei is feszültség alá kerülhetnek. Áramütés veszélye.
- Ne járassa a gépet, miközben azt a teste mellett lógatva egyik helyről a másikra viszi. Személyi sérülés veszélye áll fenn.
- Ne használja a gépet gyúlékony anyagok közelében. Tűzveszély.
- Figyeljen arra, hogy a tartozék a gép kikapcsolása után rövid ideig még tovább forog. Ne kísérelje meg megállítani a tartozékokat.
- Soha ne tegye le a gépet asztalra vagy munkapadra, amíg ki nem kapcsolta.
- Rendszeres időközönként tisztítsa meg a szellőzőnyílásokat. Áramütés veszélye.

### Elektromos biztonság



*Mindig ellenőrizze, hogy a tápellátás megfelel-e az adattáblán feltüntetett feszültségnek.*

- Ne használja a gépet, ha a hálózati kábel vagy a hálózati csatlakozódugó sérült.
- Csak olyan hosszabbító kábelt használjon, amely megfelel a berendezés névleges teljesítményének, és legalább 1,5 mm<sup>2</sup> vastag. Ha tekercset használ a hosszabbító kábelhez, mindig teljesen tekerje le a kábelt.

## 2. A GÉP ADATAI

### Rendeltetése

A többfunkciós szerszámot könnyű csiszolási, fűrészelési és marási feladatok elvégzésére terveztük.

## MŰSZAKI ADATOK

Modellazonosító	OT502AC / S_OT502AC
Hálózati feszültség	220-240 V
Hálózati frekvencia	50 Hz
Felvett teljesítmény	300 W
Üresjárat fordulatszám	0-23,000 /perc
Súly	1,21 kg
Hangnyomás (Lpa)	85 dB(A)
Hangteljesítmény (Lwa)	96 dB(A)
Mérési bizonytalanság (K)	3 dB(A)
Vibráció (acél fűrészelésekor)	7,28 m/s <sup>2</sup>
Mérési bizonytalanság (K)	1,5 m/s <sup>2</sup>



*Vegyen fel hallásvédő eszközt.*

### Rezgés értékek

A használati útmutatóban megadott rezgés kibocsátási értékek mérése az EN 60745 szabvány szerinti egységesített eljárással történt; az értékek használhatók gépek összehasonlítására és a munkavégzés közbeni rezgés terhelés előzetes megbecslésére az adott alkalmazási területen

- ha a szerszámot más területen használják vagy más vagy rossz karban tartott tartozékkal, a rezgés terhelés jelentősen
- azok az időtartamok, amely alatt a gép üresen jár vagy áll, jelentősen csökkenthetik a tényleges terhelést.

Védje magát a rezgés hatásától, tartsa karban a gépet és a tartozékokat, melegítsen be és szervezze meg okosan a munkáját.

### LEÍRÁS

A szövegbeli számok a 2. oldal képeire utalnak.

1. Üzemi kapcsoló
2. Fordulatszám állító kerék
3. Tartozék felszerelési pontja
4. Markolat
5. Gyorsváltó-kar
6. Szénkefe fedél

## 3. ÖSSZESZERELÉS



*Szerelés előtt mindig kapcsolja ki a gépet, és húzza ki a hálózati csatlakozódugót.*

Csiszolások esetében kötelező használni a csiszolópapírt és a csiszolópapírt.

#### Tartozékok eltávolítása és rögzítése (B ábra)

- Oldja ki a gyorsváltó-kart (5) és csúsztassa a tartozékot előre, hogy kivegye a tartóból.
- Csúsztassa a tartozékot a tartóba, és rögzítse a gyorsváltó-kart (5).

## 4. KEZELÉS

#### Bekapcsolás, kikapcsolás (A ábra)

- A gép bekapcsolásához tolja a főkapcsolót (1) előre.
- A gép kikapcsolásához tolja a főkapcsolót (1) hátra.

#### Fordulatszám beállítása (A ábra)

A fordulatszám beállításához használja a fordulatszám állító kereket. A fordulatszám állító kerék 6 pozícióba állítható. Az ideális fordulatszám függ a szükséges szemcsemérettől, valamint a megmunkálandó anyagtól.



*A géphasználata közben ne állítson a fordulatszámra.*

- Forgassa a fordulatszám állító kereket (2) a kívánt állásba.

#### Hasznos ötletek

- Rögzítse a munkadarabot. Kis munkadaraboknál használjon satut.
- Húzzon egy vonalat a tartozék vezetési irányának meghatározására.
- Erősen fogja meg a gépet a markolatnál fogva.
- Kapcsolja be a gépet.
- Várja meg, amíg a gép teljes fordulatszámra gyorsul.
- Helyezze a tartozékot a munkadarabra.
- Lassan mozgassa a gépet az előre megrajzolt vonal mentén, a tartozékot erősen a munkadarabhoz szorítva.
- Ne nyomja túl erősen a gépet. Hagyja, hogy a gép dolgozzon.
- Kapcsolja ki a gépet, majd várja meg, amíg teljesen leáll, csak utána tegye le.

## 5. KARBANTARTÁS



*Tisztítás és karbantartás előtt mindig kapcsolja ki a gépet, és húzza ki a hálózati csatlakozódugót.*

- Puha rongydarabbal rendszeres időközönként tisztítsa meg a burkolatot.
- Ügyeljen rá, hogy a szellőzőnyílásokon ne legyen por vagy kosz. Szükség esetén nedves, puha rongydarabbal távolítsa el a szellőzőnyílásokról a port és szennyeződést.

#### Tartozékok cseréje (B ábra)

A kopott vagy sérült tartozékot azonnal ki kell cserélni.



*Kizárólag éles és sérülésmentes tartozékot használjon.*

- A tartozék eltávolításához a megfelelő szakaszban leírtak szerint járjon el.
- A tartozék felszereléséhez a megfelelő szakaszban leírtak szerint járjon el.

## KÖRNYEZETVÉDELEM



*A hibás vagy már feleslegessé vált elektromos, elektronikus készülékeket az ezzel foglalkozó gyűjtőpontokon kell leadni.*

#### Csak EU országokban

Elektromos szerszámokat ne dobjon a háztartási hulladékba. Az elektromos és elektronikai hulladékokra vonatkozó, 2012/19/EU európai irányelv és annak a nemzeti törvénykezésbe történő átültetése értelmében az elhasználadott elektromos készülékeket külön kell gyűjteni és környezetbarát módon kell kiselejtezni.

## JÓTÁLLÁS

A VONROC termékei a legmagasabb minőségi normák szerint készülnek, és az eredeti vásárlás napjától számított, törvényileg előírt időtartamig garantáljuk, hogy anyag- és gyártási hibáktól mentesen fognak működni. Ha a termékben ezen időszak alatt bármilyen hiba jelentkezik anyag- és/ vagy gyártási hiba miatt, kérjük, forduljon közvetlenül az Ön VONROC kapcsolattartójához.

A szavatosság nem érvényes a következő körülmények egyikére sem:

- Nem hivatalos szervizközpontok javítást vagy módosítást végeztek (vagy megkíséreltek javítást vagy módosítást végezni) a gépen.
- Normál elhasználódás és kopás.
- A szerszámot erőszakosan vagy nem rendeltetésszerűen használták, vagy a karbantartása nem volt megfelelő.
- Nem eredeti pótalkatrészeket használtak.

A jelen garancia a vállalat által (akár kifejezetten, akár hallgatólágosan) biztosított kizárólagos garancia. Nem léteznek olyan egyéb garanciák (sem kifejezett, sem hallgatólágos garanciák, beleértve az értékesíthetőségre és az adott célra való alkalmasságra vonatkozó hallgatólágos garanciákat is), amelyek a jelen garancia hatókörén túlmutatnak. A VONROC semmilyen esetben sem felelős semmilyen járulékos vagy következményes kárért. A forgalmazók jogorvoslati teendői az előírásoknak nem megfelelő egységek vagy alkatrészek javítására és cseréjére korlátozódnak.

**A termék és a használati útmutató változtatásának jogát fenntartjuk. A műszaki adatok előzetes bejelentés nélkül változhatnak.**

## 1. BEZPEČNOSTNÍ POKYNY

Přečtete si přiložené bezpečnostní výstrahy, dodatečné bezpečnostní výstrahy a bezpečnostní pokyny. Nebudete-li dodržovat tyto bezpečnostní výstrahy a pokyny, může dojít k úrazu elektrickým proudem, ke vzniku požáru nebo k vážnému zranění. Ušchovejte si tato bezpečnostní varování a pokyny pro budoucí použití.

V této uživatelské příručce a na tomto výrobku jsou použity následující symboly:



*Přečtete si uživatelskou příručku.*



*Nebezpečí zranění osob.*



*Nebezpečí úrazu elektrickým proudem.*



*Ohned odpojte zástrčku napájecího kabelu od síťové zásuvky, dojde-li k jeho poškození a také v průběhu čištění nebo údržby.*



*Riziko zranění odlétávajícími předměty. Zamezte přístupu nepovolaných osob do pracovního prostoru.*



*Používejte ochranné brýle. Používejte ochranu sluchu.*



*Používejte masku proti prachu.*



*Elektronická regulace otáček.*



*Nelikvidujte tento výrobek do nevhodného kontejneru.*



*Tento výrobek je vyroben v souladu s platnými bezpečnostními normami, které jsou uvedeny ve směrnících EU.*

### ZÁKLADNÍ BEZPEČNOSTNÍ VÝSTRAHY PRO ELEKTRICKÉ NÁŘADÍ



**VAROVÁNÍ! Přečtete si všechny bezpečnostní výstrahy a všechny pokyny.** Nebudete-li dodržovat tyto bezpečnostní výstrahy a pokyny, může dojít k úrazu elektrickým proudem, ke vzniku požáru nebo k vážnému zranění.

### Uchovejte všechny bezpečnostní výstrahy a pokyny pro budoucí použití.

Termín elektrické nářadí v těchto varováních odkazuje na elektrické nářadí napájené z elektrické sítě (s napájecím kabelem) nebo z akumulátoru (bez napájecího kabelu).

#### 1) Bezpečnost pracovního prostoru

- a) **Udržujte čistotu na pracovišti a zajistěte jeho řádné osvětlení.** Neuklizená nebo tmavá místa přivolávají nehody.
- b) **Nepoužívejte elektrická nářadí ve výbušných prostředích, jako jsou místa, kde se vyskytují hořlavé kapaliny, plyny nebo prašné látky.** V elektrickém nářadí dochází k jiskření, které může způsobit vznícení prachu nebo výparů.
- c) **Při práci s tímto elektrickým nářadím udržujte děti a okolo stojící osoby v bezpečné vzdálenosti.** Rozptylování může způsobit ztrátu kontroly nad nářadím.

#### 2) Elektrická bezpečnost

- a) **Zástrčka napájecího kabelu nářadí musí odpovídat zásuvce. Zástrčku nikdy žádným způsobem neupravujte. Nepoužívejte u uzemněného elektrického nářadí žádné adaptéry zástrček.** Neupravené zástrčky a odpovídající zásuvky budou snižovat riziko úrazu elektrickým proudem.
- b) **Vyvarujte se kontaktu těla s uzemněnými povrchy, jako jsou potrubí, radiátory, trouby a ledničky.** Dojde-li k uzemnění vašeho těla, hrozí zvýšené riziko způsobení úrazu elektrickým proudem.
- c) **Nevystavujte elektrické nářadí dešti ani vlhkému prostředí.** Dostane-li se do elektrického nářadí voda, zvýší se riziko úrazu elektrickým proudem.
- d) **Nezacházejte špatně s napájecím kabelem. Nikdy nepoužívejte napájecí kabel pro přenášení nebo tahání elektrického nářadí ani netahejte za tento kabel při vypořádání zástrčky ze zásuvky. Dbejte na to, aby tento kabel nepřecházel přes horké a mastné povrchy ani přes ostré hrany a aby se nedostal do kontaktu s pohyblivými díly.** Poškozené nebo zamotané kabely zvyšují riziko úrazu elektrickým proudem.
- e) **Používáte-li elektrické nářadí venku, použijte prodlužovací kabel vhodný pro venkovní použití.** Použití prodlužovacího kabelu pro venkovní použití snižuje riziko úrazu elektrickým proudem.
- f) **Musíte-li používat toto elektrické nářadí ve vlhkém prostředí, používejte v elektrickém obvodu**

**proudový chránič (RCD).** Použití proudového chrániče (RCD) snižuje riziko úrazu elektrickým proudem.

#### 3) Bezpečnost osob

- a) **Při práci s tímto elektrickým nářadím buďte stále pozorní, sledujte, co provádíte a používejte zdravý rozum. Nepoužívejte elektrické nářadí, jste-li unaveni nebo jste-li pod vlivem drog, alkoholu nebo léků.** Malá nepozornost při práci s elektrickým nářadím může mít za následek velmi nebezpečné zranění.
- b) **Vždy používejte osobní ochranné prostředky. Vždy používejte ochranu zraku.** Ochranné prostředky, jako jsou maska proti prachu, neklouzavá pracovní ochranná obuv, pevná přilba nebo chrániče sluchu, které jsou používány v příslušných podmínkách, zmenšují riziko způsobení zranění osob.
- c) **Zabraňte náhodnému spuštění nářadí. Před připojením elektrického nářadí k napájecímu zdroji nebo před vložením akumulátoru do nářadí, před zvednutím nářadí nebo před jeho přenášením se ujistěte, zda je spínač nářadí v poloze vypnuto.** Přenášení elektrického nářadí s prstem na spouštěcím spínači nebo připojení elektrického nářadí k zdroji elektrické energie, je-li spouštěcí spínač v poloze zapnuto, zvyšuje pravděpodobnost vzniku nehod.
- d) **Před zapnutím elektrického nářadí vždy odstraňte všechny klíče a seřizovací přípravky.** Klíče nebo seřizovací přípravky ponechané na rotující části elektrického nářadí mohou způsobit zranění osob.
- e) **Nepřeceňujte své síly. Vždy udržujte správný postoj a rovnováhu.** Tak si zachováte lepší kontrolu nad nářadím v neočekávaných situacích.
- f) **Vhodně se oblékejte. Nenoste volný oděv nebo šperky. Udržujte vlasy, oblečení a rukavice v bezpečné vzdálenosti od všech pohyblivých částí.** Volný oděv, šperky nebo dlouhé vlasy mohou být zachyceny pohyblivými díly.
- g) **Jsou-li zařízení vybavena adaptérem pro připojení odsávacího systému, ujistěte se, zda je odsávací zařízení správně připojeno a zda správně vykonává svou práci.** Použití odsávání prachu může snížit rizika spojená prací v prašném prostředí.
- h) **Nedovoľte, aby jistota získaná častým používáním nářadí vedla k snížení vaší pozornosti a ignorování zásad bezpečné práce s nářadím.**

Chvilková nepozornost může během zlomku sekundy způsobit vážné zranění.

#### 4) Použití elektrického nářadí a jeho údržba

- a) **Nepřetěžujte elektrické nářadí. Používejte pro prováděnou práci správné elektrické nářadí.** Správné elektrické nářadí provede práci lépe a bezpečněji, je-li použito pro práce, pro které je určeno.
- b) **Nepoužívejte elektrické nářadí, nepracuje-li správně jeho spouštěcí spínač.** Nemůžete-li elektrické nářadí ovládat pomocí spouštěcího spínače, takové nářadí je velmi nebezpečné a musí být opraveno.
- c) **Před prováděním jakéhokoliv seřízení, před výměnou příslušenství nebo před uložením odpojte napájecí kabel nářadí od napájecího zdroje nebo z nářadí vyjměte akumulátor.** Tato preventivní bezpečnostní opatření snižují riziko náhodného spuštění elektrického nářadí.
- d) **Uložte nepoužívané elektrické nářadí mimo dosah dětí a nedovolte osobám, které nejsou obeznámeny s tímto nářadím nebo s těmito pokyny, aby toto elektrické nářadí používaly.** Elektrické nářadí je v rukách neproškolených osob nebezpečné.
- e) **Provádějte údržbu elektrického nářadí. Zkontrolujte vychýlení nebo zablokování pohyblivých částí, poškození dílů a stavy nářadí, které by mohly mít vliv na správnou funkci nářadí. Je-li elektrické nářadí poškozeno, zajistěte jeho opravu dříve, než ho použijete.** Mnoho nehod bývá způsobeno nedostatečnou údržbou elektrického nářadí.
- f) **Udržujte ostré a čisté řezné nástroje.** U správně udržovaných řezných nástrojů s ostrými řeznými břity je menší pravděpodobnost jejich zablokování a lépe se s nimi pracuje.
- g) **Používejte elektrické nářadí, příslušenství, pracovní nástroje atd., podle těchto pokynů a berte v úvahu pracovní podmínky a práci, která bude prováděna.** Použití elektrického nářadí pro operace, pro které není určeno, může vést k nebezpečným situacím.
- h) **Dbejte na to, aby byly rukojeti a úchopné povrchy suché, čisté a zbavené olejů a maziv.** Kluzké rukojeti a úchopné plochy neumožňují bezpečnou manipulaci a ovládání nářadí v neočekávaných situacích.

#### 5) Použití a údržba akumulátorového nářadí

- a) **K nabíjení používejte výhradně nabíječku předepsanou výrobcem.** Nabíječka vhodná pro jeden typ akumulátoru může způsobit požár při vložení jiného, nevhodného typu.
- b) **Používejte elektrické nářadí pouze s předepsanými akumulátory.** Použití jiných typů akumulátoru může způsobit požár nebo zranění.
- c) **Není-li akumulátor používán, uložte jej mimo dosah kovových předmětů, jako jsou kancelářské sponky, mince, klíče, hřebíky, šroubky nebo jiné malé kovové předměty, které mohou způsobit**

**zkratování jeho kontaktů.** Zkratování kontaktů akumulátoru může způsobit popáleniny nebo požár.

- d) **Za nevhodných podmínek může z akumulátoru unikat kapalina. Vyvarujte se kontaktu s touto kapalinou. Dojde-li k náhodnému kontaktu s touto kapalinou, zasažené místo omyjte vodou.** Dostane-li se kapalina do očí, ihned si je vypláchněte vodou a vyhledejte lékařskou pomoc. Unikající kapalina z akumulátoru může způsobit podráždění pokožky nebo popáleniny.
- e) **Nepoužívejte poškozený nebo upravený akumulátor či nářadí.** Poškozené nebo upravené akumulátory se mohou chovat nepředvídatelně, což může způsobit požár, výbuch nebo nebezpečí zranění.
- f) **Nevystavujte akumulátor nebo nářadí ohni ani nadměrným teplotám.** Vystavení účinkům ohně nebo teplot nad 130 °C může způsobit výbuch. POZNÁMKA Teplota „130 °C“ odpovídá teplotě „265 °F“.
- g) **Dodržujte všechny pokyny pro nabíjení a ne-nabíjejte akumulátor ani nářadí mimo teplotní rozsah předepsaný v těchto pokynech.** Nesprávné nabíjení nebo nabíjení při teplotě mimo specifikovaný rozsah může poškodit akumulátor a zvýšit nebezpečí vzniku požáru.

#### 6) Servis

- a) **Svěřte opravu svého elektrického nářadí pouze osobě s příslušnou kvalifikací, která bude používat výhradně originální náhradní díly.** Tím zajistíte bezpečný provoz tohoto elektrického nářadí.
- b) **Nikdy neopravujte poškozené akumulátorové moduly.** Opravy akumulátorů smí provádět výhradně výrobce nebo technik autorizovaného servisu.

## DOPLŇKOVÁ BEZPEČNOSTNÍ VAROVÁNÍ PRO UNIVERZÁLNÍ NÁŘADÍ



*Kontakt s prachem nebo vdechování prachu, který se uvolňuje během používání nářadí (povrchy natřené barvami s obsahem olova, dřeva a kov), může ohrozit vaše zdraví i zdraví ostatní osob v blízkosti. Vždy používejte odpovídající osobní ochranné prostředky, jako je maska proti prachu. Při práci vždy používejte vhodné odsávání prachu.*

- Nepracujte s materiály, které obsahují azbest. Asbest je považován za karcinogenní látku.
- Nepracujte s kovy, které obsahují více než 80 % hořčíku.
- Při práci na lakovaných površích buďte velmi opatrní.
- Nepoužívejte příslušenství, které není konkrétně navrženo a doporučeno výrobcem tohoto nářadí. Riziko zranění osob.
- Před každým použitím zkontrolujte toto nářadí i jeho příslušenství. Nepoužívejte příslušenství, která jsou deformovaná, prasklá nebo jiným způsobem poškozená. Dojde-li k pádu nářadí nebo jeho příslušenství, zkontrolujte, zda nedošlo k poškození tohoto nářadí nebo příslušenství. Je-li to nutné, proveďte výměnu příslušenství.
- Používejte pouze příslušenství, které je doporučeno výrobcem.
- Používejte pouze příslušenství, které je vhodné pro prováděnou práci.
- Používejte pouze příslušenství se správnými rozměry.
- Nepoužívejte příslušenství vyžadující použití chladicí kapaliny. Nebezpečí úrazu elektrickým proudem.
- Ujistěte se, zda je příslušenství správně nasaženo. Nepoužívejte adaptéry ani jiné pomůcky, které umožňují montáž příslušenství s jiným průměrem upínacích otvorů.
- Ujistěte se, zda jsou maximální otáčky příslušenství stejné nebo větší, než jsou otáčky uvedené na štítku nářadí. Viz výrobní štítek umístěný na nářadí.
- Po montáži příslušenství nechejte nářadí na bezpečném místě běžet naprázdno. Dochází-li k silným vibracím, okamžitě nářadí zastavte, odpojte jeho napájecí kabel od zásuvky a pokuste se vyřešit vzniklý problém.
- Ujistěte se, zda je obrobek řádně podepřený nebo upnutý.

- Používejte ochranné brýle. Používejte ochranu sluchu. Používejte masku proti prachu. Je-li to nutné, používejte ochranné prostředky, jako jsou bezpečnostní rukavice, bezpečnostní obuv atd. Riziko zranění osob.
- Zamezte přístupu nepovolaných osob do pracovního prostoru. Zajistěte, aby všechny osoby nacházející se v pracovním prostoru používaly ochranné prostředky. Riziko zranění osob.
- Udržujte napájecí kabel v bezpečné vzdálenosti od rotujícího příslušenství. Dojde-li ke kontaktu napájecího kabelu s rotujícím příslušenstvím, vaše ruce nebo paže se mohou dostat do kontaktu s tímto příslušenstvím. Riziko zranění osob.
- Na místech, kde se může příslušenství dostat do kontaktu se skrytými elektrickými vodiči nebo s napájecím kabelem, držte nářadí za izolované plochy určené pro úchop. Dostane-li se příslušenství do kontaktu se „živým“ vodičem pod napětím, nekruté kovové části tohoto nářadí budou také „živé“. Nebezpečí úrazu elektrickým proudem.
- Přenášíte-li elektrické nářadí v ruce podél těla, nikdy jej nespouštějte. Riziko zranění osob.
- Nepoužívejte toto nářadí v blízkosti hořlavých materiálů. Riziko požáru.
- Nezapomínejte, že po vypnutí nářadí bude příslušenství ještě chvíli pokračovat v otáčení. Nepokoušejte se toto otáčející příslušenství zastavit sami.
- Nikdy neodkládejte nářadí na pracovní stůl nebo ponk, dokud nebude vypnuto a zcela zastaveno.
- Pravidelně čistěte větrací drážky. Nebezpečí úrazu elektrickým proudem.

### Elektrická bezpečnost



*Vždy zkontrolujte, zda se napájecí napětí sítě shoduje s napájecím napětím na výrobním štítku.*

- Nepoužívejte toto nářadí, je-li poškozen jeho napájecí kabel nebo zástrčka.
- Používejte pouze prodlužovací kabely, které jsou vhodné pro příkon tohoto nářadí a které mají minimální průřez 1,5 mm<sup>2</sup>. Budete-li používat prodlužovací kabel na cívce, vždy odmotejte celý kabel.

## 2. INFORMACE O ZAŘÍZENÍ

### Zamýšlené použití

Vaše univerzální nářadí je určeno pro nenáročné brusné, řezací a škrabací práce.

### TECHNICKÉ ÚDAJE

Model č.	OT502AC / S_OT502AC
Napájecí napětí	220-240 V
Frekvence	50 Hz
Příkon	300 W
Otáčky naprázdno	0-23 000 /min
Hmotnost	1,21 kg
Akustický tlak (L <sub>pa</sub> )	85 dB(A)
Akustický výkon (L <sub>wa</sub> )	96 dB(A)
Nejistota (K)	3 dB(A)
Vibrace (řezání oceli)	7,28 m/s <sup>2</sup>
Nejistota (K)	1,5 m/s <sup>2</sup>



Používejte ochranu sluchu.

### Úroveň vibrací

Deklarovaná úroveň vibrací uvedená v tomto návodu byla měřena v souladu se standardní zkušební metodou předepsanou normou EN 60745. Tato úroveň vibrací může být použita pro srovnání jednotlivých nářadí mezi sebou a také při předběžném posouzení působících vibrací při používání nářadí při uvedených aplikacích

- Použití tohoto nářadí pro jiné aplikace nebo s odlišným nebo špatně udržovaným příslušenstvím může značně zvýšit působení vibrací
- Doba, kdy je nářadí vypnuto nebo kdy je v chodu, ale aktuálně nevykonává žádnou práci, může působení vibrací značně zkrátit.

Chraňte se před působením vibrací prováděním řádné údržby tohoto nářadí i jeho příslušenství, udržujte ruce v teple a provádějte práci správným způsobem.

### POPIS

Čísla v následujícím textu odkazují na obrázky na straně 2.

1. Vypínač
2. Regulátor otáček

3. Montážní bod pro příslušenství
4. Rukojeť
5. Páka rychlé výměny
6. Kryt motoru

## 3. SESTAVENÍ



Před sestavením nářadí vždy vypněte a odpojte zástrčku napájecího kabelu od síťové zásuvky.

Při brusných pracích musí být použity brusná podložka a brusný papír.

### Nasazení a sejmutí příslušenství (obr. B)

- Uvolněte páku rychlé výměny (5) a posuňte příslušenství směrem dopředu, aby mohlo být sejmuto z držáku.
- Nasuňte příslušenství do držáku a zajistěte páku rychlé výměny (5).

## 4. POUŽITÍ

### Zapnutí a vypnutí (obr. A)

- Chcete-li nářadí zapnout, posuňte vypínač (1) směrem dopředu.
- Chcete-li nářadí vypnout, posuňte vypínač (1) směrem dozadu.

### Nastavení otáček (obr. A)

K nastavení otáček slouží otočný regulátor otáček. Otočný regulátor může být nastaven do jedné z 6 poloh. Ideální otáčky nářadí závisí na prováděné práci a na obráběném materiálu.



Nenastavujte otáčky během použití nářadí.

- Nastavte otočný regulátor (2) do požadované polohy.

### Rady pro optimální použití

- Upněte si obrobek. Pro malé obrobky používejte upínací zařízení.
- Nakreslete si čáru, která bude určovat směr, jakým bude vedeno příslušenství.
- Držte nářadí pevně za rukojeť.
- Zapněte nářadí.
- Počkejte, dokud nářadí nedosáhne plných otáček.
- Přiložte příslušenství na obrobek.
- Pomalu vedte nářadí podél nakreslené čáry



- a pevně přitlačujte příslušenství k obrobku.
- Nevytvíkejte na toto nářadí příliš velký tlak. Nechejte nářadí pracovat jeho vlastním tempem.
- Před odložením nářadí vypněte a počkejte, dokud nedojde k úplnému zastavení jeho pracovního příslušenství.

## 5. ÚDRŽBA



*Před čištěním a prováděním údržby nářadí vždy vypněte a vypojte zástrčku napájecího kabelu ze síťové zásuvky.*

- Pravidelně čistěte nářadí měkkým hadrem.
- Dbejte na to, aby nebyly ventilační otvory zaneseny prachem a jinými nečistotami. V případě potřeby odstraňte prach a nečistoty z ventilačních otvorů měkkým navlhčeným hadříkem.

### Výměna příslušenství (Obr. B)

Poškozené nebo opotřebované příslušenství musí být okamžitě vyměněno.



*Používejte pouze ostré a nepoškozené příslušenství.*

- Při vyjímání příslušenství postupujte podle popisu v příslušné části.
- Při nasazení příslušenství postupujte podle popisu v příslušné části.

## OCHRANA ŽIVOTNÍHO PROSTŘEDÍ



*Poškozená a likvidovaná elektrická nebo elektronická zařízení musí být odevzdána ve sběrných dvorech, které jsou určeny pro tento účel.*

### Pouze pro země EU

Nevyhazujte elektrická nářadí do běžného domácího odpadu. Podle evropské směrnice 2012/19/EC týkající se likvidace elektrických a elektronických zařízení a její implementace do vnitrostátního práva, musí být nepoužívaná elektrická nářadí shromažďována odděleně a jejich likvidace musí být provedena tak, aby nedošlo k ohrožení životního prostředí.

## ZÁRUKA

Výrobky VONROC jsou vyvíjeny v souladu s požadavky norem na nejvyšší kvalitu a je zaručeno, že po dobu platné záruky, která začíná běžet dnem původního nákupu, nebudou na těchto výrobcích žádné vady materiálu, ani vady způsobené špatným dílenským zpracováním. Dojde-li během tohoto období k závadě v důsledku vady materiálu nebo dílenského zpracování, kontaktujte přímo firmu VONROC.

Z této záruky jsou vyloučeny následující případy:

- Opravy nebo úpravy tohoto zařízení byly provedeny nebo byly provedeny pokusy o jejich provedení v neautorizovaných servisech;
- Běžné opotřebení;
- Toto zařízení bylo nesprávně použito, nevhodně použito nebo nebyla provedena jeho správná údržba;
- Byly použity neoriginální náhradní díly.

Výše uvedené představuje jedinou záruku poskytovanou společností, ať už výslovnou nebo předpokládanou. Neexistují žádné další záruky, výslovné ani nebo předpokládané, které přesahují rámec zde uvedeného, včetně předpokládaných záruk prodejnosti a vhodnosti pro určitý účel. VONROC v žádném případě neodpovídá za jakékoliv náhodné nebo následné škody. Opravné prostředky prodejců se omezují výhradně na opravu nebo výměnu nevyhovujících jednotek nebo dílů.

**Na tomto výrobku a v tomto návodu mohou být prováděny změny. Technické údaje mohou být změněny bez předchozího upozornění.**

## 1. GÜVENLİK TALİMATLARI

Ekteki güvenlik uyarılarını, ilave güvenlik uyarılarını ve talimatları okuyun. Güvenlik uyarılarını ve talimatları izlememek elektrik çarpması, yangın ve/veya ciddi yaralanma ile sonuçlanabilir. Güvenlik uyarılarını ve talimatları ilerde bakmak üzere muhafaza edin.

Aşağıdaki semboller kullanıcı kılavuzunda veya ürün üzerinde kullanılmaktadır:



*Kullanıcı kılavuzunu okuyun.*



*Bedensel yaralanma riski.*



*Elektrik çarpması riski*



*Şebeke kablosu temizlik ve bakım sırasında hasar görürse şebeke fişini hemen prizden çıkarın.*



*Uçan nesne riski. Seyircileri iş alanından uzak tutun.*



*Koruyucu gözlük takın. Duyma koruması takın.*



*Bir toz maskesi takın.*



*Değişken elektronik hız.*



*Ürünü uygun olmayan kaplara atmayın.*



*Ürün Avrupa yönergelerindeki geçerli güvenlik standartlarına uygundur.*

### GENEL ELEKTRİK ALET GÜVENLİK UYARILARI



**UYARI Tüm güvenlik uyarılarını ve tüm talimatları okuyun.** Uyarılara uyulmadı ve talimatlar elektrik çarpmasına, yangına ve/veya ciddi yaralanmalara neden olabilir.

#### Tüm uyarıları ve talimatları gelecekte başvurmak üzere saklayın.

Uyarılardaki "elektrikli alet" terimi, şebeke elektriği ile çalışan (kablolu) elektrikli alet veya pil ile çalışan (kablesiz) elektrikli alet anlamına gelir.

#### 1) İş aşanı güvenliği

a) İş alanını temiz ve aydınlık tutun. Dağınık veya

karanlık bölgeler, kazalara davetiye çıkarır.

- b) **Elektrikli aletleri, yanıcı sıvıların, gazların veya tozun var olduğu patlayıcı atmosferlerde kullanmayın.** Elektrikli aletler, tozu veya dumanları ateşleyebilecek kıvılcımlar oluşturur.
- c) **Bir elektrikli aleti kullanırken, çocukları ve çevredekileri uzak tutun.** Dikkatiniz dağılırsa kontrolü kaybedebilirsiniz.

#### 2) Elektrik güvenliği

- a) **Elektrikli alet fişleri, prize uygun olmalıdır. Fişi, hiçbir şekilde modifiye etmeyin. Topraklı elektrikli aletlerle, herhangi bir fiş adaptörü kullanmayın.** Modifiye edilmemiş fişler ve buna uygun prizler, elektrik çarpması riskini azaltır.
- b) **Borular, radyatörler, ocaklar ve buzdolapları gibi topraklı yüzeylerle temastan kaçınınız.** Eğer vücudunuz topraklanmışsa, elektrik çarpması riski daha fazla olur.
- c) **Elektrikli aletleri yağmura veya ıslaklığa maruz bırakmayın.** Bir elektrikli alete su girmesi durumunda, elektrik çarpması riski artacaktır.
- d) **Kabloya kötü davranmayın. Kabloyu taşıma amacıyla, elektrikli aleti ya da elektrikli aletin fişini çekmek için kullanmayın. Kabloyu ısıdan, yağdan, keskin kenarlardan ya da hareketli parçalardan uzak tutun.** Hasar görmüş ya da dolmuş kablolar, elektrik çarpması riskini artırır.
- e) **Bir elektrikli aleti dış mekanlarda kullanırken, dış mekan kullanımına uygun bir uzatma kablosu kullanın.** Dış mekan kullanımına uygun bir kablo kullanıldığında, elektrik çarpması riski azalır.
- f) **Elektrikli aleti nemli bir ortamda çalıştırmak kaçınılmazsa, kaçak akım cihazı (RCD) korumalı bir kaynak kullanın.** RCD kullanımı elektrik çarpması riskini azaltır.

#### 3) Kişisel güvenlik

- a) **Elektrikli aleti kullanırken tetikte kalın, ne yaptığınıza dikkat edin ve sağduyulu davranın. Bir elektrikli aleti yorgun olduğunuzda ya da uyuşturucu, alkol veya ilaç etkisindeyken kullanmayın.** Elektrikli aleti kullanırken bir anlık dikkatsizlik ciddi kişisel yaralanmalara neden olabilir.
- b) **Kişisel koruyucu donanım kullanın. Her zaman göz koruması takın.** Uygun durumlar için kullanılan toz maskesi, kaymaz güvenlik ayakkabıları, baret veya kulak tıkacı gibi koruyucu donanımlar, kişisel yaralanma riskini azaltacaktır.
- c) **Saksız çalışmayı önleyin. Bir elektrik kaynağını ve/veya pil takımını bağlamadan, aleti kaldırma-**

**dan ya da taşımadan önce elektrikli aletin anahtarının kapalı durumda olduğundan emin olun.**

Elektrikli aletleri parmağınız anahtar üzerindeyken taşımak veya anahtarları açık elektrikli aletleri harekete geçirmek kazalara davetiye çıkarır.

- d) **Elektrikli aleti açık duruma getirmeden önce her türlü ayar anahtarını çıkarın.** Elektrikli aletin dönen bir parçasında kalan bir anahtar, kişisel yaralanmalara neden olabilir.
  - e) **Fazla uzanmayın. Ayaklarınızı sağlam basın ve her zaman dengeli olun.** Böylece beklenmeyen durumlarda elektrikli aleti daha iyi kontrol edebilirsiniz.
  - f) **Uygun kıyafetler giyin. Bol kıyafetler giymeyin, takılar takmayın. Saçınızı, kıyafetlerinizi ve eldivenlerinizi, hareketli parçalardan uzak tutun.** Bol kıyafetler, takılar veya uzun saç, hareketli parçalara takılabilir.
  - g) **Eğer cihazlar toz giderme ve toplama tesislerinin bağlantısı için sağlanmışsa, bunların bağlandığından ve düzgün bir şekilde kullanıldığından emin olun.** Toz toplama ile tozla ilgili tehlikeleri azaltılabilir.
  - h) **Aletlerin sık kullanılmasından edindiğiniz bilgi birikiminin sizi aşırı rahavete sürüklemesine izin vermeyin ve araç güvenliği ilkelerini göz ardı etmeyin.** Dikkatsiz bir hareket, bir saniyeden bile kısa sürede ciddi yaralanmalara neden olabilir.
- 4) Elektrikli alet kullanımı ve bakımı**
- a) **Elektrikli aleti zorlamayın. Uygulamanız için doğru elektrikli aleti kullanın.** Doğru elektrikli alet, tasarım amacına uygun olarak işi daha iyi yapacaktır.
  - b) **Eğer anahtarlar açılıp kapatılmıyorsa, elektrikli aleti kullanmayın.** Anahtarla kumanda edilemeyen elektrikli aletler tehlikelidir ve tamir edilmelidir.
  - c) **Herhangi bir ayar, aksesuar değişimi ya da depolama işleminden önce elektrikli aletin fişini elektrik kaynağından çıkarın ve/veya pil takımını elektrikli aletten çıkarın.** Bu tür önleyici güvenlik önlemleri, elektrikli aletin kazara çalışma riskini azaltır.
  - d) **Boş durumdaki elektrikli aletleri çocukların erişmeyeceği bir yerde muhafaza edin ve elektrikli aletin nasıl çalıştığını ya da bu talimatları bilmeyen kişilerin elektrikli aleti kullanmasına izin vermeyin.** Elektrikli aletler, eğitimsiz kullanıcıların elinde tehlikeli olur.
  - e) **Elektrikli aletlerin bakımını yapın. Hatalı ayarlar**

**veya hareketli parçaların bağlanması, parça kırılmaları ve elektrikli aletin çalışmasını etkileyecek diğer durumlar için kontrol gerçekleştirin. Eğer herhangi bir hasar varsa, elektrikli alet kullanılmadan önce tamir edilmelidir.** Çoğu kazaya bakımı iyi yapılmayan elektrikli aletler neden olur.

- f) **Kesme aletlerini keskin ve temiz tutun.** Bakımı iyi yapılan ve keskin kenarlara sahip kesme aletlerinde donmalar daha az yaşanır ve kontrol edilmeleri daha kolay olur.
- g) **Elektrikli aleti, aksesuarlarını ve torna kalemlelerini bu talimatlara uygun olarak kullanın, çalışma koşullarını ve gerçekleştirilecek olan işi dikkate alın.** Elektrikli aletin kullanım amacı dışında kullanılması, tehlikeli durumlara sonuçlanabilir.
- h) **Tutamakları ve tutma yerlerini kuru, temiz ve yağdan arındırılmış şekilde muhafaza edin.** Kaygan tutamaklar ve tutma yerleri, beklenmedik durumlarda aletin güvenli şekilde taşınmasına ve kontrol edilmesine izin vermez.

#### **5) Pili alet kullanımı ve bakımı**

- a) **Yalnızca üretici tarafından belirtilen şarj aletiyle şarj edin.** Bir türde pil takımı için uygun bir şarj cihazı, başka bir pil takımı ile kullanıldığında yangın riski oluşturabilir.
- b) **Elektrikli aletleri yalnızca özel olarak belirlenmiş pil takımlarıyla kullanın.** Başka pil takımlarının kullanımı yaralanma ve yangın riski oluşturabilir.
- c) **Pil takımı kullanılmadığı zamanda, ataşlar, bozuk paralar, anahtarlar, çiviler, vidalar veya diğer küçük metal nesnelere gibi bir uçtan diğerine bir bağlantı yapabilecek diğer metal nesnelere uzak tutun.** Pil uçlarını birbirine kısa devre yaptırmak yanıklara veya yangına neden olabilir.
- d) **Bozulma durumlarında pilden sıvı çıkabilir; temastan kaçının. Kazara temas gerçekleşirse, suyla yıkayın. Sıvı gözlerle temas ederse ayrıca tıbbi yardım isteyin.** Pilden çıkan sıvı tahrişe veya yanıklara neden olabilir.
- e) **Hasarlı veya üzerinde değişiklik yapılmış bir batarya veya aleti kullanmayın.** Hasarlı veya üzerinde değişiklik yapılmış bataryalar, yangın, patlama ya da yaralanma riskiyle sonuçlanan beklenmedik davranışlar sergileyebilir.
- f) **Batarya veya aleti ateşe veya aşırı sıcaklığa maruz bırakmayın.** Ateşe veya 130 °C üzeri sıcaklıklara maruz kalması patlamaya yol açabilir.

NOT Sıcaklık birimi olarak kullanılan „130 °C“ yerine „265 °F“ kullanılabilir.

- g) **Tüm şarj talimatlarına uyun ve batarya veya aleti talimatlarda belirtilen sıcaklık aralığının dışındaki ortamlarda şarj etmeyin.** Yanlış şekilde veya belirtilen aralığın dışındaki sıcaklıklarda şarj etmek bataryaya zarar verebilir ve yangın riskini artırabilir.

#### 6) Servis

- a) **Elektrikli aletinizin servis işlemlerini, yalnızca aynı yedek parçaları kullanan vasıflı bir tamircinin yapmasını sağlayın.** Bu, elektrikli aletin güvenliğinin korunmasını sağlayacaktır.
- b) **Hasarlı bataryalara asla kendiniz bakım yapmaya çalışmayın.** Bataryadaki bakım işlemleri sadece üretici veya yetkili servisler tarafından yapılmalıdır.

### ÇOK AMAÇLI ALETLER İÇİN İLAVE GÜVENLİK UYARILARI



*Kullanım sırasında ortaya çıkan tozla (örneğin kurşunla boyanmış yüzeyler, ahşap ve metal) temas edilmesi veya bu tozun solunması sizin ve çevrenizdekilerin sağlığını tehdit edebilir. Daima bir toz maskesi gibi uygun bir koruyucu ekipman takın. Kullanım sırasında daima uygun toz toplama düzeneği kullanın.*

- Asbest içeren malzemelerle çalışmayın. Asbest kanserojen olarak kabul edilir.
- Magnezyum içeriği %80'den fazla olan metallerle çalışmayın.
- Boyanmış yüzeylerde çalışırken çok dikkatli olun.
- Üretici tarafından özellikle tasarlanmamış ve önerilmemiş aksesuarları kullanmayın. Bedensel yaralanma riski.
- Her kullanım öncesinde makine ve aksesuarları kontrol edin. Eğilmiş, çatlak veya başka bir şekilde hasar görmüş aksesuarları kullanmayın. Makine veya aksesuarlardan biri düşerse, makine veya aksesuarın hasar görüp görmediğini kontrol edin. Gerekliyorsa, aksesuarı değiştirin.
- Sadece üretici tarafından önerilen aksesuarları kullanın.
- Sadece uygulama için uygun aksesuarları kullanın.
- Sadece uygun ebatlara sahip aksesuarları kullanın.
- Sıvı soğutucu gerektiren aksesuarlar kullanmayın. Elektrik çarpması riski

- Aksesuarların uygun şekilde monte edildiğinden emin olun. Başka mil çapına sahip aksesuarları monte etmek için adaptör veya diğer yardımcıları kullanmayın.
- Aksesuarın maksimum hızının makinenin maksimum hızından fazla veya eşit olduğundan emin olun. Makinedeki anma değeri plakasına bakın.
- Aksesuarları monte ettikten sonra, makineyi güvenli bir yerde boşta çalıştırın. Makine kuvvetlice titreirse, hemen makineyi kapatın, ana fişi çekin ve sorunu çözmeye çalışın.
- İş parçasının uygun şekilde desteklendiğinden veya sabitlendiğinden emin olun.
- Güvenlik gözlüğü giyin. Duyma koruması takın. Bir toz maskesi takın. Gerekirse, eldivenler, güvenlik ayakkabıları vs. gibi diğer koruyucu malzemeleri kullanın. Bedensel yaralanma riski.
- Seyircileri iş alanından uzak tutun. Çalışma alanındaki herkesin koruyucu ekipmanları kullandığından emin olun. Bedensel yaralanma riski.
- Elektrik kablusunu dönen aksesuardan uzak tutun. Elektrik kablusu dönen aksesuara dokunursa, elleriniz veya kollarınız aksesuara temas edebilir. Bedensel yaralanma riski.
- Aksesuarın gizli elektrik kablolarıyla veya ana kabloyla temas edebileceği yerlerde makineyi izolasyonlu kavrama yüzeylerinden tutun. Aksesuar 'elektrik yüklü' bir kabloyla temas ederse, makinenin elektrik yüküne maruz kalan metal parçaları da 'elektrik yüklü' hale gelebilir. Elektrik çarpması riski
- Yan tarafınızda taşırken makineyi çalıştırmayın. Bedensel yaralanma riski.
- Makineyi yanıcı malzemelerin yakınında kullanmayın. Yangın riski.
- Makine durduktan sonra aksesuarın kısa bir süre daha dönmeye devam ettiğini unutmayın. Aksesuarı kendi başınıza hareketsiz hale getirmeye çalışmayın.
- Makineyi asla kapatmadan bir masa veya tezgaha koymayın.
- Havalandırma deliklerini düzenli olarak temizleyin. Elektrik çarpması riski

#### Elektrik güvenliği



*Daima güç kaynağı geriliminin anma değerleri plakasındaki gerilime karşılık gelip gelmediğini kontrol edin.*

- Güç kaynağı kablosu veya şebeke fişi hasar görmüşse makineyi kullanmayın.
- Sadece makinenin güç değerleri açısından uygun, minimum 1,5 mm<sup>2</sup> kalınlığa sahip uzatma kabloları kullanın. Bir uzatma kablosu makarası kullanıyorsanız kabloyu daima tamamen açın.

## 2. MAKİNE BİLGİSİ

### Kullanım amacı

Bu çok amaçlı aletiniz hafif zımparalama, testere ile kesme ve kazıma uygulamaları için tasarlanmıştır.

### TEKNİK SPESİFİKASYONLAR

Model No.	OT502AC / S_OT502AC
Şebeke voltajı	220-240 V
Şebeke frekansı	50 Hz
Güç girişi	300 W
Yüksüz hız	0-23.000 /dak
Ağırlık	1,21 kg
Ses basıncı (Lpa)	85 dB(A)
Akustik güç (Lwa)	96 dB(A)
Belirsizlik (K)	3 dB(A)
Titreşim (çelik kesme)	7,28 m/s <sup>2</sup>
Belirsizlik (K)	1,5 m/s <sup>2</sup>



*Duyma koruması takın.*

### Vibrasyon seviyesi

Bu talimat kılavuzunda belirtilen vibrasyon emisyon seviyesi EN 60745 içinde verilen bir standart teste uygun olarak ölçülmüştür; bir aleti başka bir aletle karşılaştırmak için ve aleti adı geçen uygulamalar için kullanırken bir ilk maruz kalma değerlendirmesi olarak kullanılabilir

- aleti farklı uygulamalar için veya farklı ya da kötü bakılan aksesuarlarla kullanmak maruz kalma seviyesini büyük ölçüde artırabilir
- aletin kapalı olduğu veya çalışıp da gerçekten işi yapmadığı zamanlar maruz kalma seviyesini büyük ölçüde azaltabilir

Aletin ve aksesuarların bakımını yaparak, ellerinizi sıcak tutarak ve çalışma düzenlerinizi organize ederek vibrasyonun etkilerine karşı kendinizi koruyun

### AÇIKLAMA

Metindeki numaralar sayfa 2'deki çizimleri işaret etmektedir.

1. Açma / kapama düğmesi
2. Hız ayarlama tekeri
3. Aksesuarlar için montaj noktası
4. Tutma yeri
5. Hızlı değişim kolu
6. Karbon fırçası kapağı

## 3. MONTAJ



*Montajdan önce daima makineyi kapatın ve fişini prizden çıkarın.*

Zımparalama altlığı ve zımpara kağıdı, zımparalama uygulamaları için kullanılmalıdır.

### Aksesuarların sökülmesi ve takılması (şekil B)

- Hızlı değişim kolunu (5) serbest bırakın ve tutucudan çıkarmak için aksesuarı ileri kaydırın.
- Aksesuarı tutucuya kaydırın ve hızlı değişim kolunu (5) sıkın.

## 4. ÇALIŞTIRMA

### Açma ve kapama (şekil A)

- Makineyi açmak için açma/kapama anahtarını (1) öne kaydırın.
- Makineyi kapatmak için açma/kapama anahtarını (1) arkaya kaydırın.

### Hızı ayarlama (şekil A)

Hız ayarlama tekeri, hızı ayarlamak için kullanılır. Hız ayarlama tekeri 6 farklı konuma ayarlanabilir. İdeal hız, uygulamaya ve çalışılacak malzemeye bağlıdır.



*Hızı kullanım sırasında ayarlamayın.*

- Hız ayarlama tekerini (2) gerekli konuma çevirin.

### İdeal kullanım için ipuçları

- İş parçasını kelepçeleysin. Küçük iş parçaları için bir sıkma aleti kullanın.
- Aksesuarın ilerleyeceği yönü belirlemek için bir çizgi çizin.
- Makineyi sapından sıkıca tutun.
- Makineyi açın.
- Makine tam hıza ulaşıncaya dek bekleyin.

- Aksesuarı iş parçasının üzerine getirin.
- Makineyi, aksesuarı iş parçasına sıkıca bastırarak önceden çizilmiş çizgi boyunca yavaşça hareket ettirin.
- Makine üzerinde çok fazla basınç uygulamayın. İş makinesinin yapmasına izin verin.
- Makineyi kapatın ve makineyi bir kenara koymadan önce makinenin tamamen durmasını bekleyin.

## 5. BAKIM



*Temizlik ve bakımdan önce her zaman makineyi kapatın ve şebeke prizini şebekeden çıkarın.*

- Muhafazayı yumuşak bir bezle düzenli olarak temizleyin.
- Havalandırma deliklerinde toz ve kir olmamasına dikkat edin. Gerekirse, havalandırma deliklerindeki toz ve kiri temizlemek için yumuşak ve nemli bir bez kullanın.

### Aksesuarların değiştirilmesi (şekil B)

Aşınmış veya hasar görmüş aksesuarlar derhal değiştirilmelidir.



*Sadece keskin ve hasarsız aksesuarlar kullanın.*

- Aksesuarı çıkarmak için, ilgili bölümde anlatıldığı gibi devam edin.
- Aksesuarı monte etmek için, ilgili bölümde anlatıldığı gibi devam edin.

## ÇEVRE



*Arızalı ve/veya atılmış elektrikli veya elektronik ekipmanların uygun geri dönüşüm konumlarında toplanması gerekir.*

### Yalnızca AT ülkeleri için

Elektrikli aletleri evsel atık olarak atmayın. Atık Elektrikli ve Elektronik Donanım için Avrupa İlkeleri 2012/19/EU'ya ve bunun yerel hukuk çerçevesinde uygulamasına göre, artık kullanılamaz olan elektrikli aletler ayrı olarak toplanmalı ve çevre dostu bir yolla imha edilmelidir.

## GARANTİ

VONROC ürünleri yüksek kalite standartları doğrultusunda geliştirilmiştir ve ilk satın alımdan itibaren kanunen belirlenen süre boyunca materyal ve işçilik açısından kusursuz olacağı garanti edilmektedir. Bu süre zarfında, kusurlu materyal ve/veya işçilikten dolayı üründe herhangi bir arıza meydana gelmesi durumunda, doğrudan VONROC iletişim kurun.

Takip eden durumlar bu garanti kapsamı dışındadır:

- Yetkisiz servis merkezleri tarafından yapılan veya yapılmaya teşebbüs edilen onarım ve/veya değişiklikler.
- Normal aşınma ve eskime.
- Cihazın kötü ve yanlış kullanılması veya cihazla yanlış bakım yapılması.
- Orijinal olmayan yedek parçaların kullanılması

Bu, şirket tarafından açık ya da zımni verilmiş tek garantiyi oluşturur. Belirli bir amaç için ticarete elverişlilik ve uygunluğun zımni garantileri dahil dış görünüşünün ötesine uzanan açık veya zımni başka hiçbir garanti yoktur. VONROC herhangi bir arıza veya dolaylı zarardan hiçbir halükarda sorumlu olmayacaktır. Bayilerin getireceği çözümler uygunsuz birimlerin veya parçaların onarımı veya değiştirilmesiyle sınırlı olacaktır.

**Ürün ve kullanıcı kılavuzu değişikliğe tabidir. Spesifikasyonlar başka bir uyarı olmaksızın değiştirilebilir.**



## DECLARATION OF CONFORMITY OT502AC / S\_OT502AC - MULTI TOOL

- (EN) We declare under our sole responsibility that this product is in conformity with directive 2011/65/EU of the European parliament and of the council of 8 June on the restriction of the use of certain hazardous substances in electrical and electronic equipment is in conformity and accordance with the following standards and regulations:
- (DE) Der Hersteller erklärt eigenverantwortlich, dass dieses Produkt der Direktive 2011/65/ EU des Europäischen Parlaments und des Rats vom 8. Juni 2011 über die Einschränkung der Anwendung von bestimmten gefährlichen Stoffen in elektrischen und elektronischen Geräten entspricht. den folgenden Standards und Vorschriften entspricht:
- (NL) Wij verklaren onder onze volledige verantwoordelijkheid dat dit product voldoet aan de conform Richtlijn 2011/65/EU van het Europees Parlement en de Raad van 8 juni 2011 betreffende beperking van het gebruik van bepaalde gevaarlijke stoffen in elektrische en elektronische apparatuur en in overeenstemming is met de volgende standaarden en reguleringen:
- (FR) Nous déclarons sous notre seule responsabilité que ce produit est conforme aux standards et directives suivants: est conforme à la Directive 2011/65/EU du Parlement Européen et du Conseil du 8 juin 2011 concernant la limitation d'usage de certaines substances dangereuses dans l'équipement électrique et électronique.
- (ES) Declaramos bajo nuestra exclusiva responsabilidad que este producto cumple con las siguientes normas y estándares de funcionamiento: se encuentra conforme con la Directiva 2011/65/UE del Parlamento Europeo y del Consejo de 8 de junio de 2011 sobre la restricción del uso de determinadas sustancias peligrosas en los equipos eléctricos y electrónicos.
- (IT) Dichiariamo, sotto la nostra responsabilità, che questo prodotto è conforme alle normative e ai regolamenti seguenti: è conforme alla Direttiva 2011/65/UE del Parlamento Europeo e del Consiglio dell'8 giugno 2011 sulla limitazione dell'uso di determinate sostanze pericolose nelle apparecchiature elettriche ed elettroniche.
- (SV) Vi försäkrar under vårt eget ansvar att denna produkt överensstämmer med Europaparlamentets och rådets direktiv 2011/65/EU av den 8 juni om begränsning av användningen av vissa farliga ämnen i elektrisk och elektronisk utrustning och är i överensstämmelse och enlighet med följande standarder och föreskrifter:
- (DA) Vi erklærer under eget ansvar, at dette produkt er i overensstemmelse med Europa-Parlamentets og Rådets direktiv 2011/65/EU af 8. juni om begrænsning af brugen af visse farlige stoffer i elektrisk og elektronisk udstyr og overholder og er i overensstemmelse med følgende standarder og regler:
- (PL) Deklarujemy na własną odpowiedzialność, że ten produkt spełnia wymogi zawarte w następujących normach i przepisach: jest zgodny z Dyrektywą 2011/65/UE Parlamentu Europejskiego i Rady z dnia 8 czerwca 2011 r. w sprawie ograniczenia stosowania niektórych niebezpiecznych substancji w sprzęcie elektrycznym i elektronicznym.
- (RO) Declaram sub responsabilitatea exclusivă că acest produs este în conformitate cu Directiva 2011/65/EU a Parlamentului și a Consiliului European din 8 iunie privind restricționarea utilizării anumitor substanțe periculoase în echipamentele electrice și electronice și în conformitate cu următoarele standarde și reglementări:
- (PT) Declaramos, sob nossa exclusiva responsabilidade, que este produto está em conformidade com a directiva 2011/65/UE do Parlamento Europeu e com a do conselho de 8 de Junho sobre a restrição da utilização de determinadas substâncias perigosas em equipamento eléctrico e electrónico está em conformidade e de acordo com as seguintes normas e regulamentações:
- (HU) Kizárólagos felelősségünk tudatában kijelentjük, hogy ez a termék megfelel az Európai Parlamentnek és a Tanácsnak az egyes veszélyes anyagok elektromos és elektronikus berendezésekben való alkalmazásának korlátozásáról szóló 2011/65/EU irányelvének (2011. június 8.), valamint a következő szabványoknak és jogszabályoknak:
- (CS) Prohlašujeme na svou výhradní odpovědnost, že tento výrobek splňuje požadavky směrnice 2011/65/EU Evropské rady a parlamentu ze dne 8. června, která se týká omezení používání určitých nebezpečných látek v elektrických a elektronických zařízeních, a splňuje také všechny požadavky následujících norem a předpisů:
- (TR) Tek sorumlusu biz olmak üzere bu ürünün Avrupa Parlamentosunun 2011/65/EU ve 8 Haziran 2011 tarihli konseyin elektrikli ve elektronik ekipmanlarda belirlenmiş tehlikeli malzeme kullanımının kısıtlanması hakkındaki talimatları ile birliktе аşаğıda belirtilen standart ve yönergelere uygun ve uyumlu olduğunu beyan ederiz:

EN 55014-1, EN 55014-2, EN 62841-1, EN 62841-2-4, EK9-BE-88, EN ISO 12100, EN 61000-3-2, EN 61000-3-3, 2006/42/EC, 2014/30/EU, 2012/19/EU, 2011/65/EU

Zwolle, 01-03-2022

H.G.F Rosberg  
CEO

VONROC • Lingenstraat 6 • 8028 PM Zwolle • The Netherlands



**VONROC®**  
BUILD YOUR FUTURE

©2022 VONROC  
[WWW.VONROC.COM](http://WWW.VONROC.COM)

2203-24