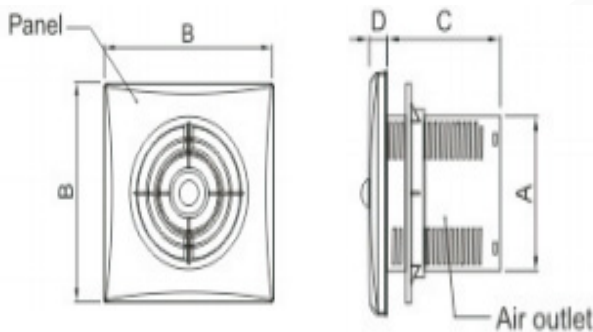


# 12W GOLD AXIAL BATHROOM EXTRACTOR FAN

SKU Code: VF1009 | VF1010 | VF1011 | VF1012



## More functions

1. SKU VF1009- Standard.
2. SKU VF1010- With timer adjustable time range 0 -30 mins, the original factory setting is 20 mins.
3. SKU VF1011- With Humidity Sensor: Yes, 60%-90% humidity level can be adjustable, with 1-30min adjustable timer setting.
4. SKU VF1012- With Motion Sensor: Yes, sensing range  $\leq 3m$ , angle  $\leq 100^\circ$ , with 20min original timer setting.

## Features

- The fan is suitable for wall and window mounting
- Shutter, ring are optional, ring is needed for window mounting
- Installation hardware bag is included
- Easy installation
- Shaded pole motor with thermo cut-off
- Ball bearing motor to reduce friction for long life operation
- Modern and functional design
- Front louver for safety protection
- Safety design based on IEC requirements
- Approved by SAA SASO CE RoHS

## Installation Dimension

Series Name	A	B	C	D
High Speed	$\varnothing 100$	150*150	90	13

## Technical Parameters

Product Code	VF1009 (Standard)
	VF1010 (With Timer)
	VF1011 (With Humidity Sensor)
	VF1012 (With Motion Sensor)
Max Air Volume	130m <sup>3</sup> /h
Static Pressure	36Pa
Noise	34dB
Motor Rotation	2400rpm
Power	12W
Current	0.072A
Rated Voltage	220-240V
Rated Frequency	50Hz
IP Code	IPX2
Insulation Class	
Climate Class	T