

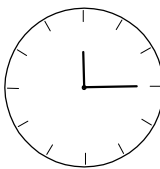
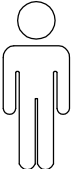


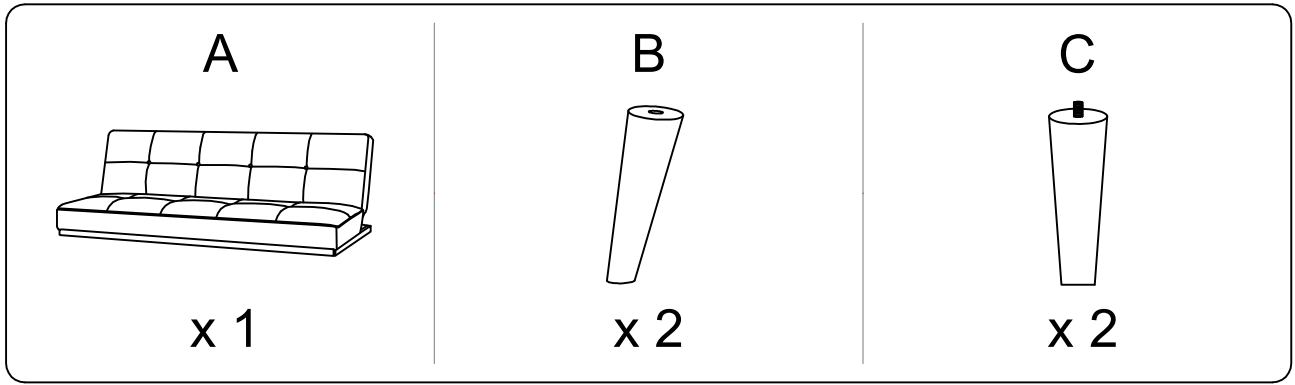
Assembly instructions for the sofa, including warnings and requirements.

**Warning 1:** Do not use a power drill. Use an Allen key (shown in a circle) to tighten the screws. 

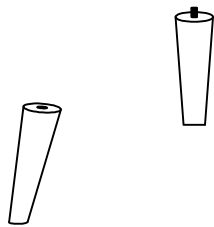
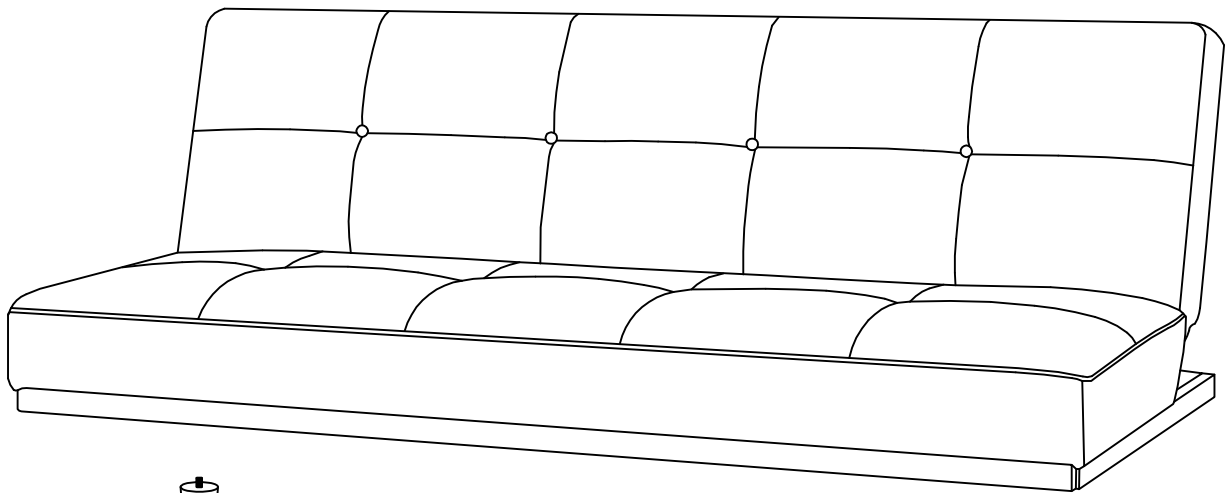
**Warning 2:** Do not place the sofa on a soft surface like a rug. Place it on a hard, flat surface. 

**Time:** 15' 

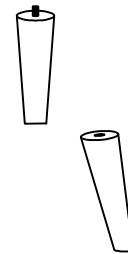
**Personnel:** 1 



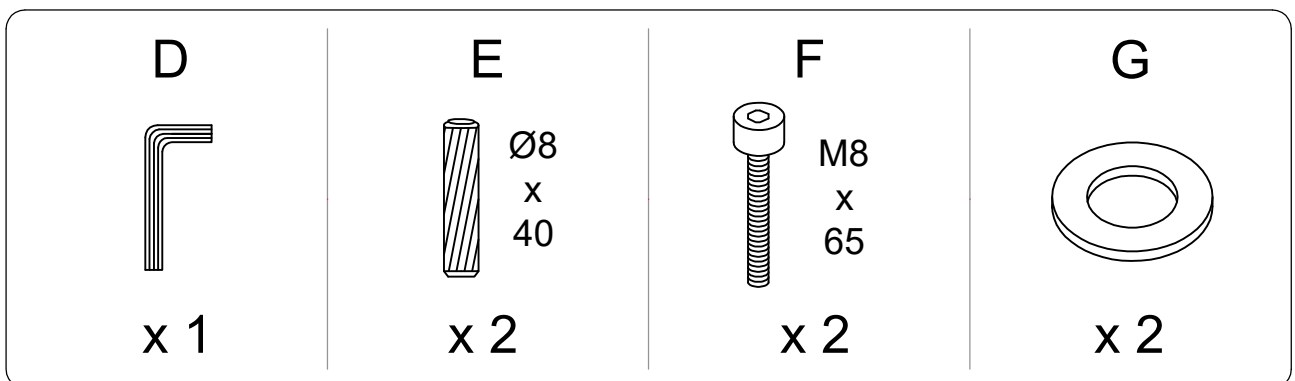
**A x 1**

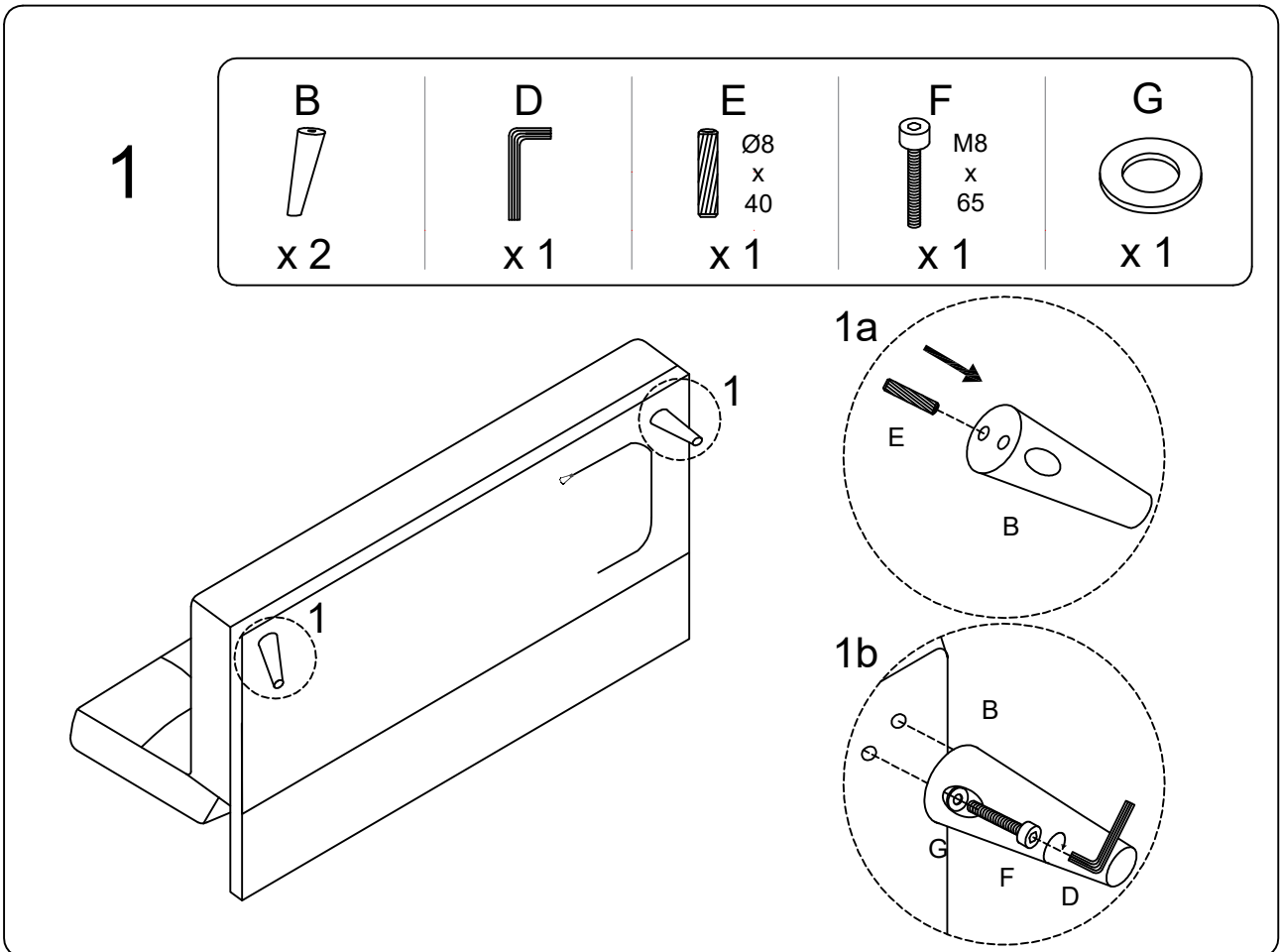
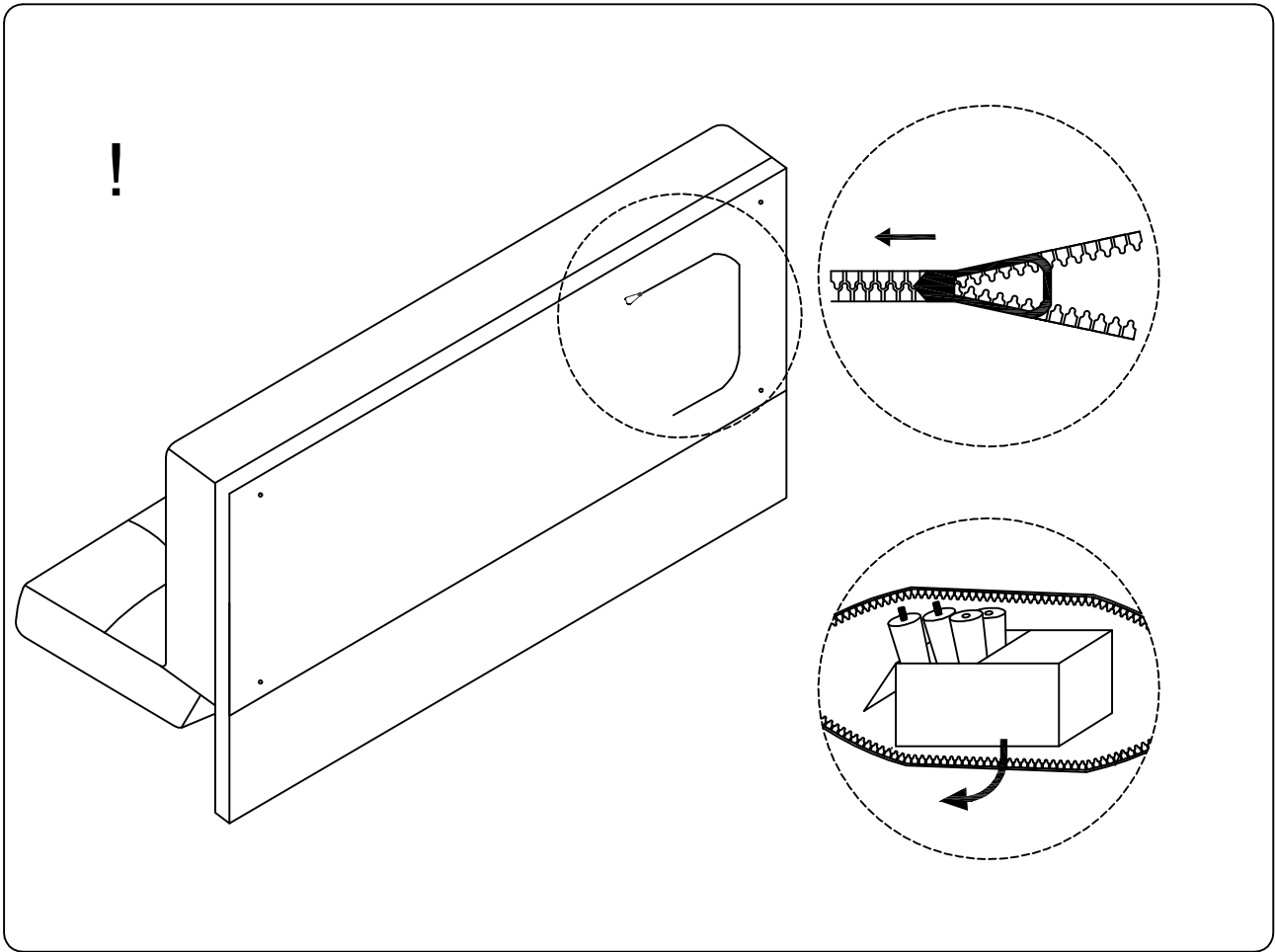


**C x 2**



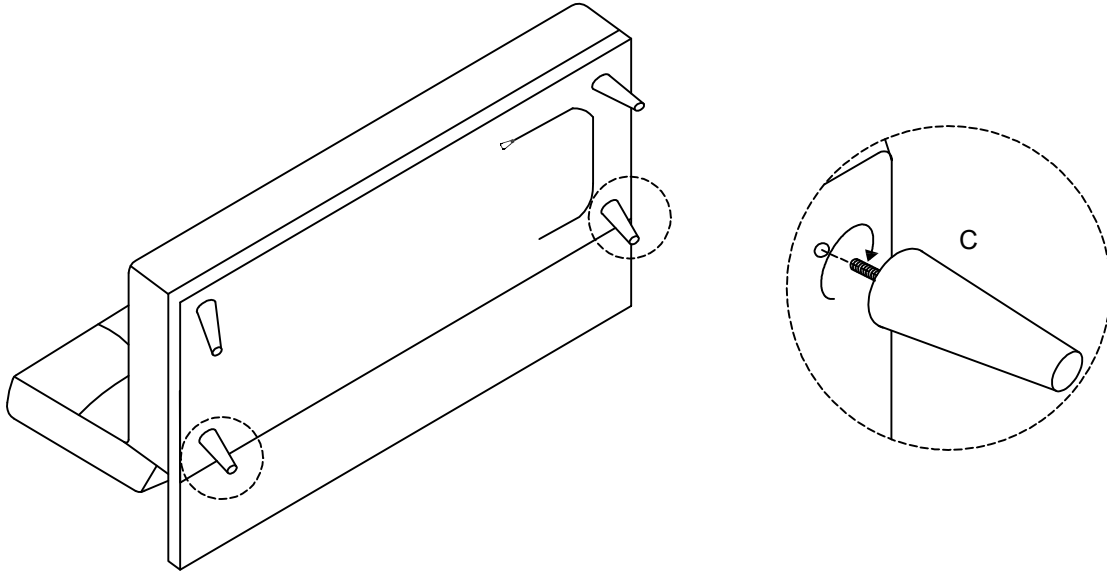
**B x 2**





2

C  
x 2



3

