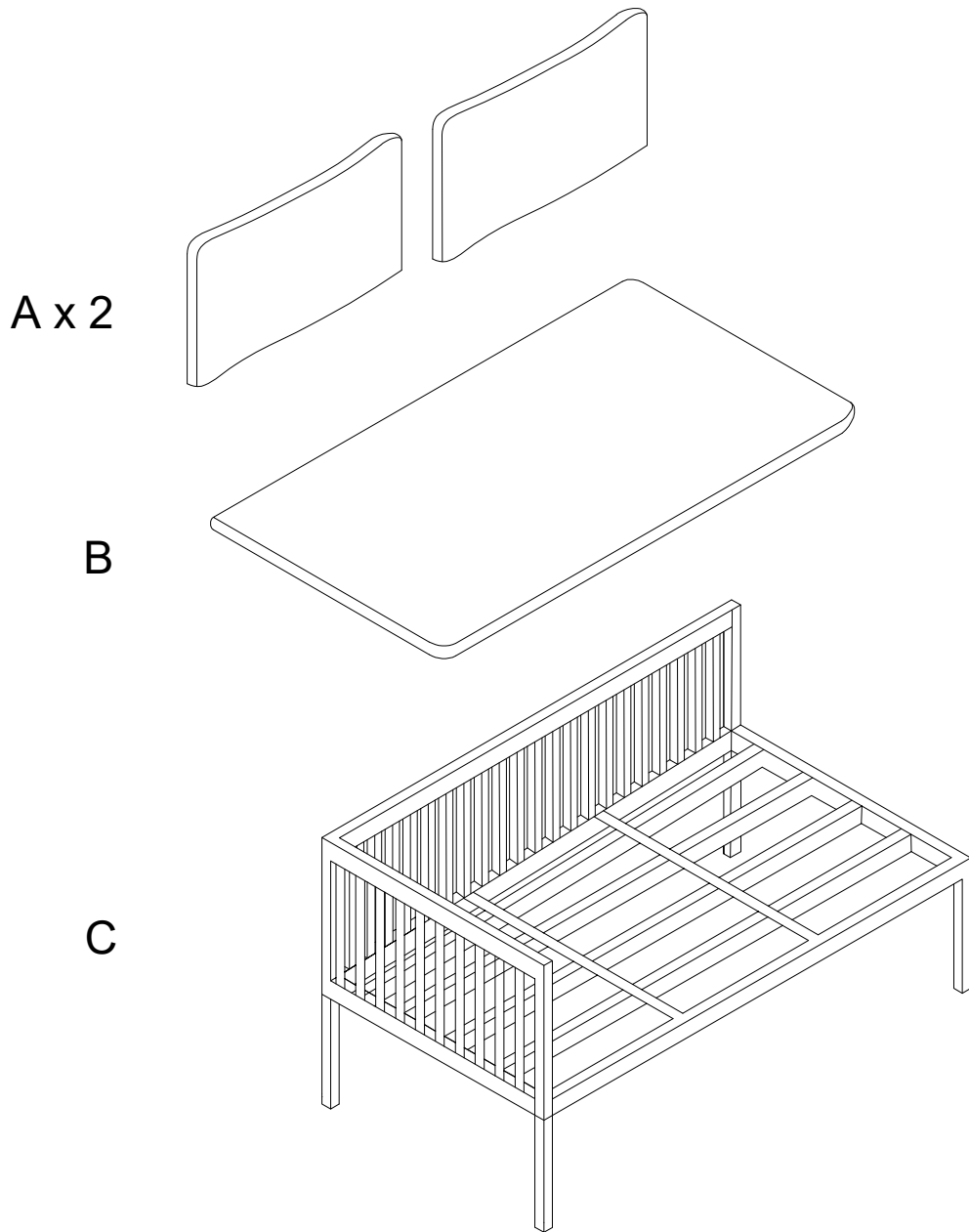


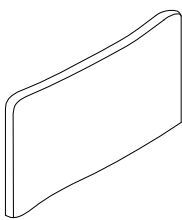
Assembly instructions for step 1/9:

- Use the provided L-shaped corner bracket (shown in a circle) to connect the sofa sections. Do not use a power drill (shown with a diagonal line through it).
- Place the sofa on a soft surface like a rug or mat (shown in a circle). Do not place it directly on a hard floor (shown with a diagonal line through it).
- Estimated assembly time: 45 minutes (shown with a clock icon).
- Number of people required: 2 (shown with a person icon).

A

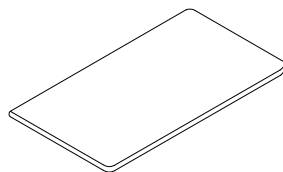


A



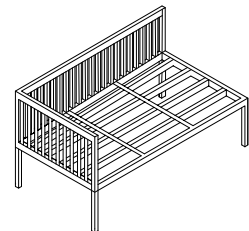
x 2

B



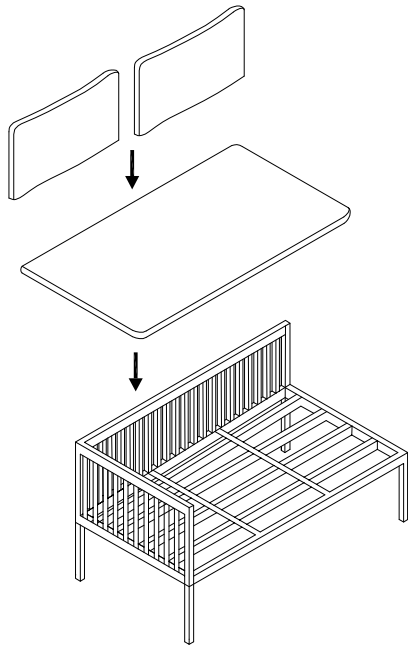
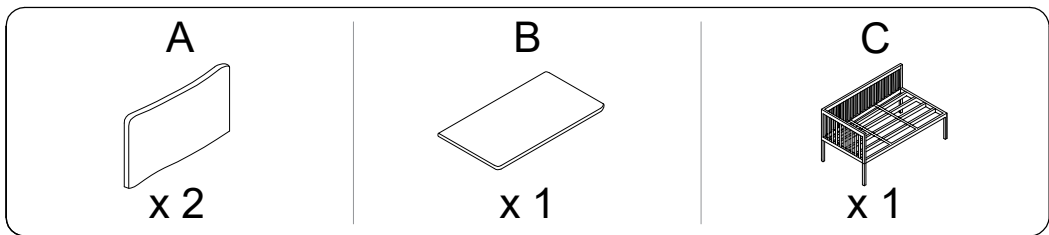
x 1

C

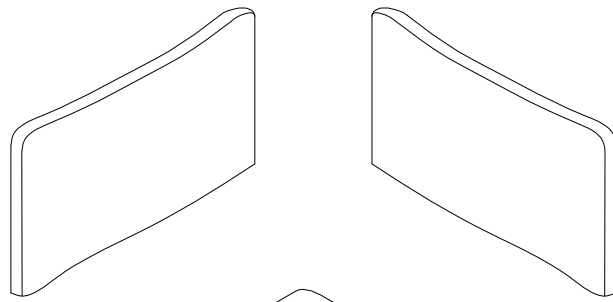


x 1

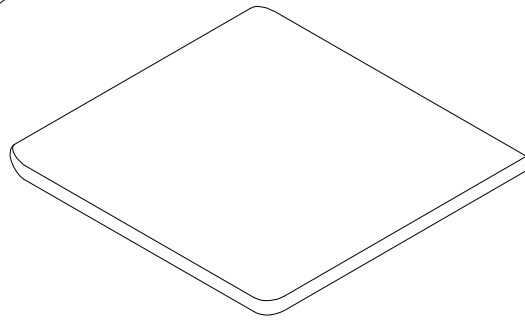
1



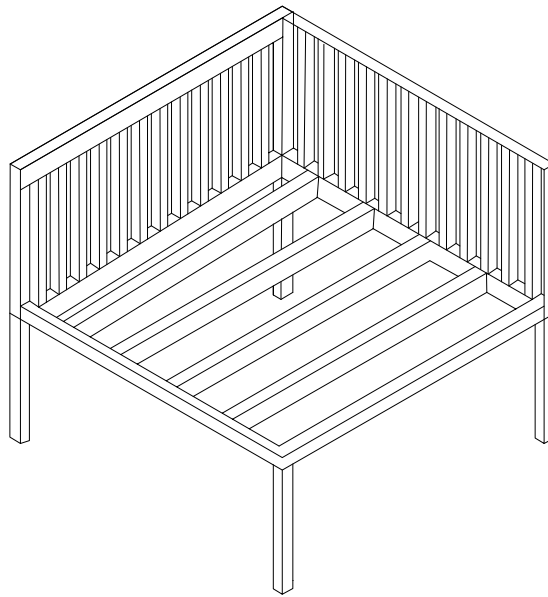
B



A x 2

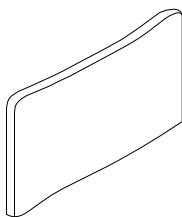


B



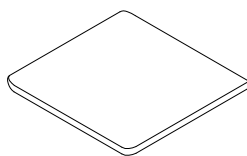
C

A



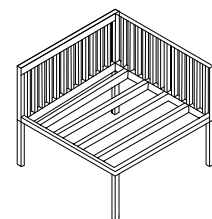
x 2

B



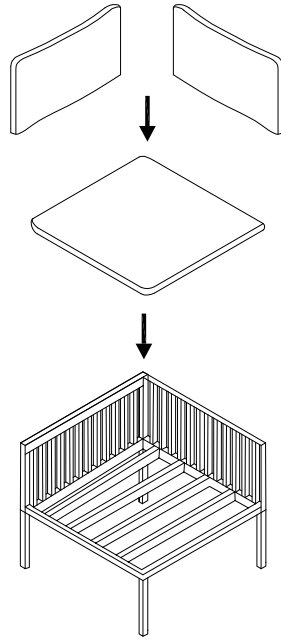
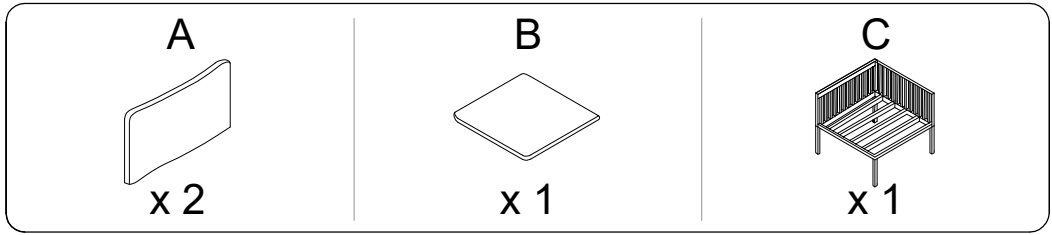
x 1

C

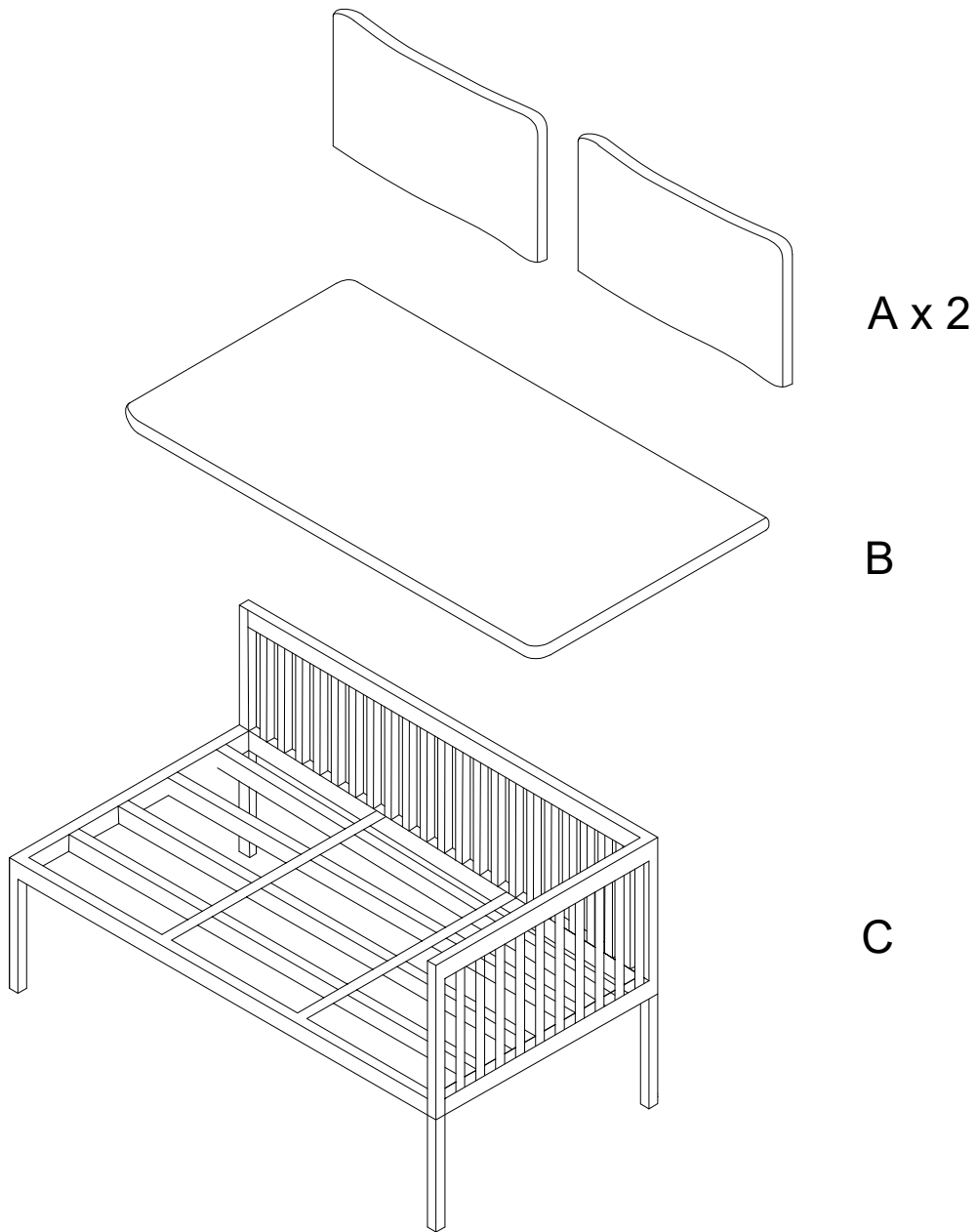


x 1

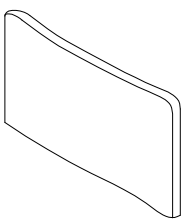
1



C

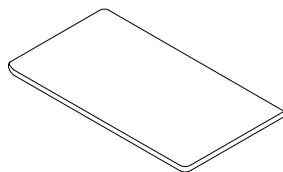


A



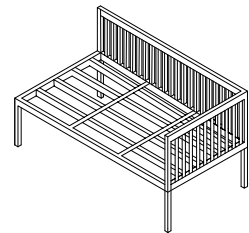
x 2

B



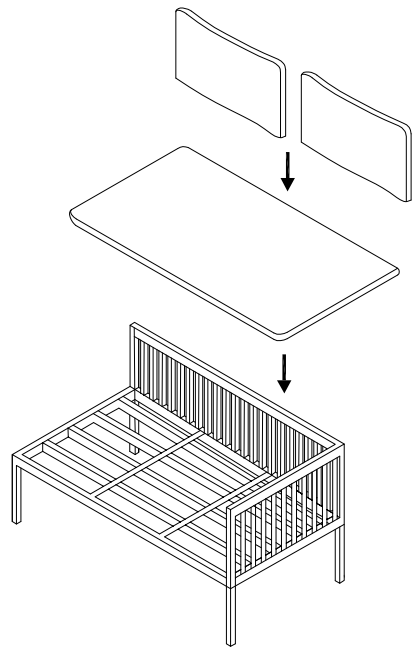
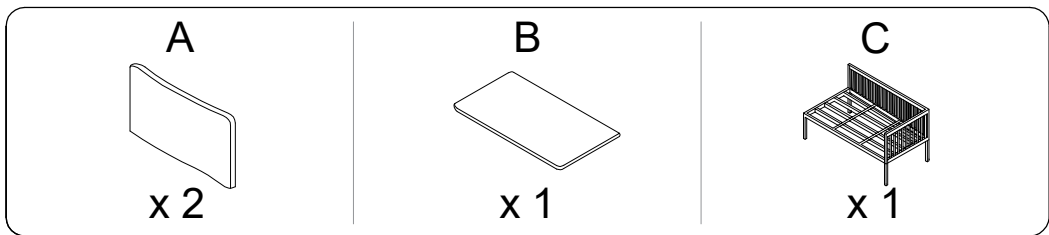
x 1

C

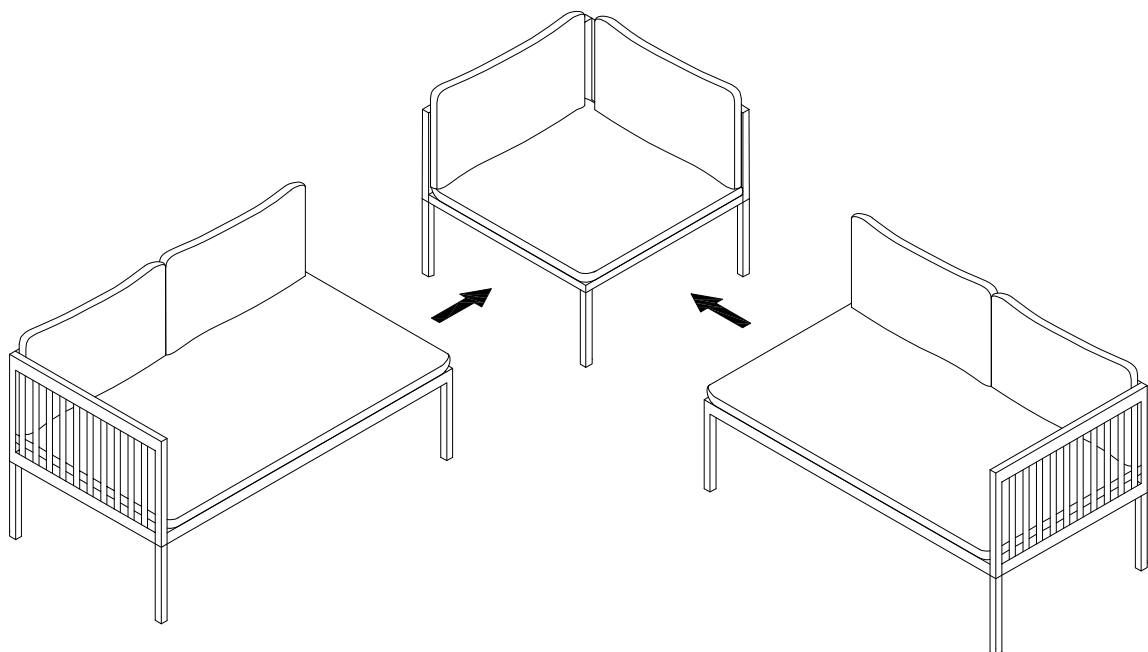


x 1

1

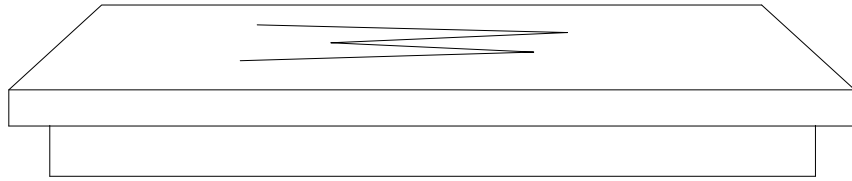


!

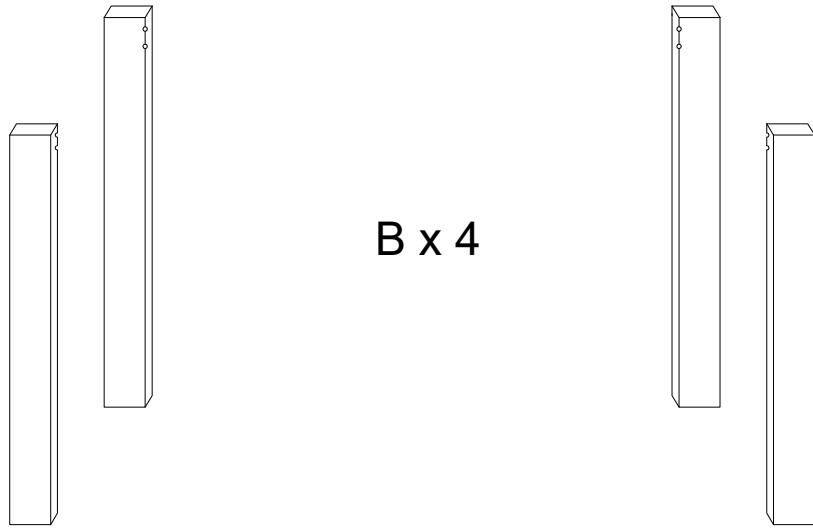




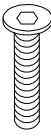
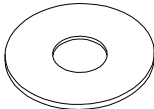
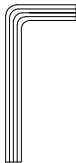
D

A



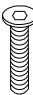

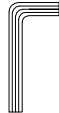


B x 4



A	B	C	D	E
		 M6 x 25		
x 1	x 4	x 8	x 8	x 1

1

A  x 1	B  x 4	C  M6 x 25 x 8	D  x 8	E  x 1
--	--	---	--	--

