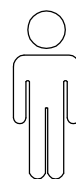
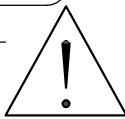
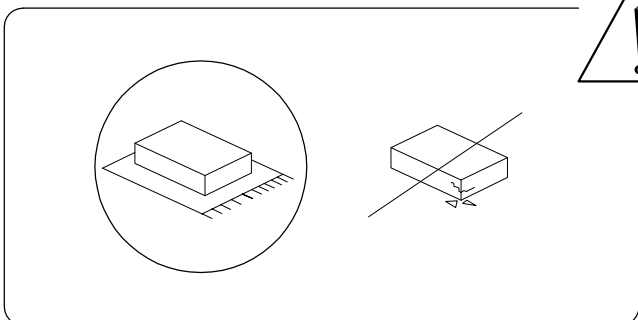
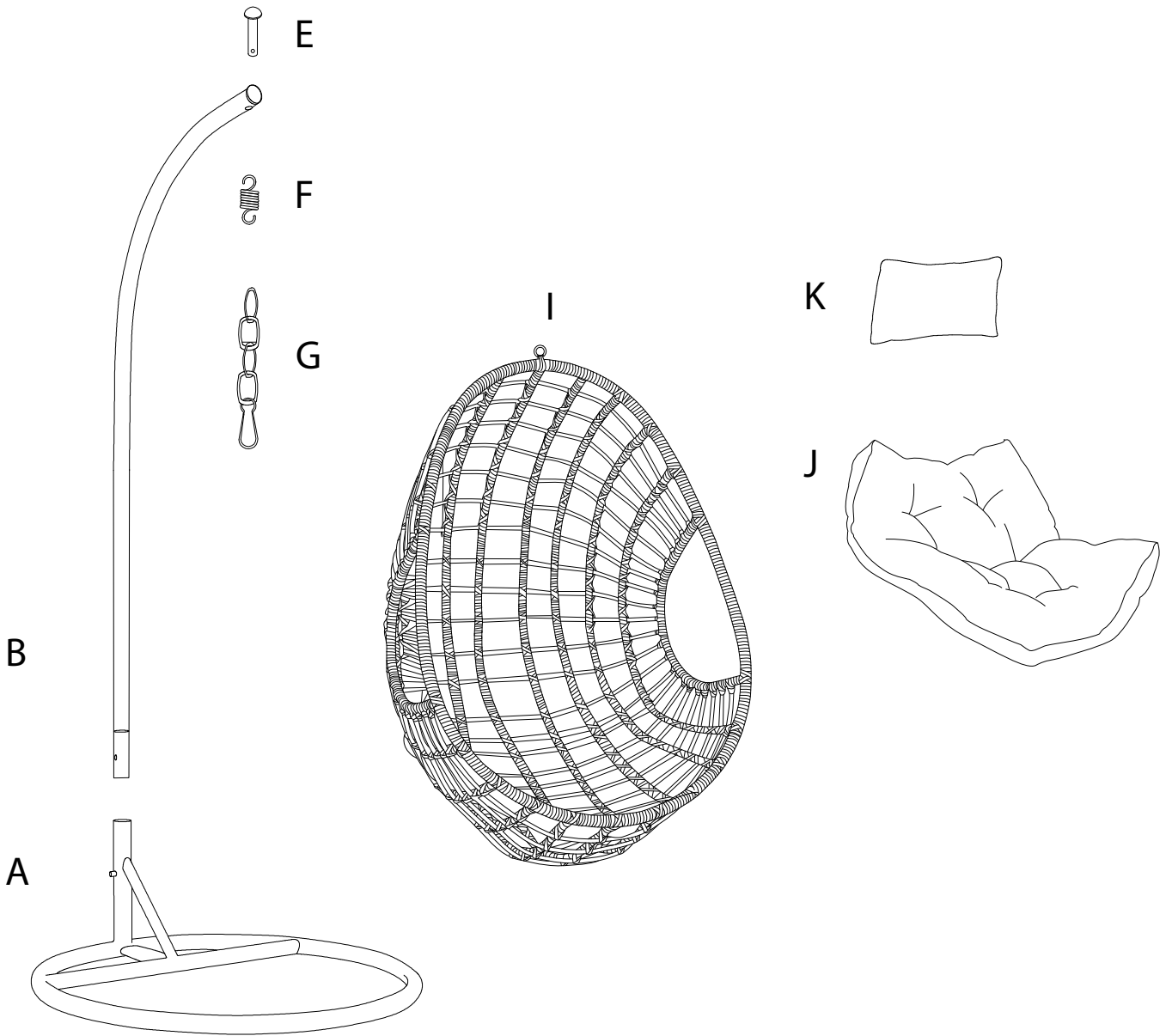
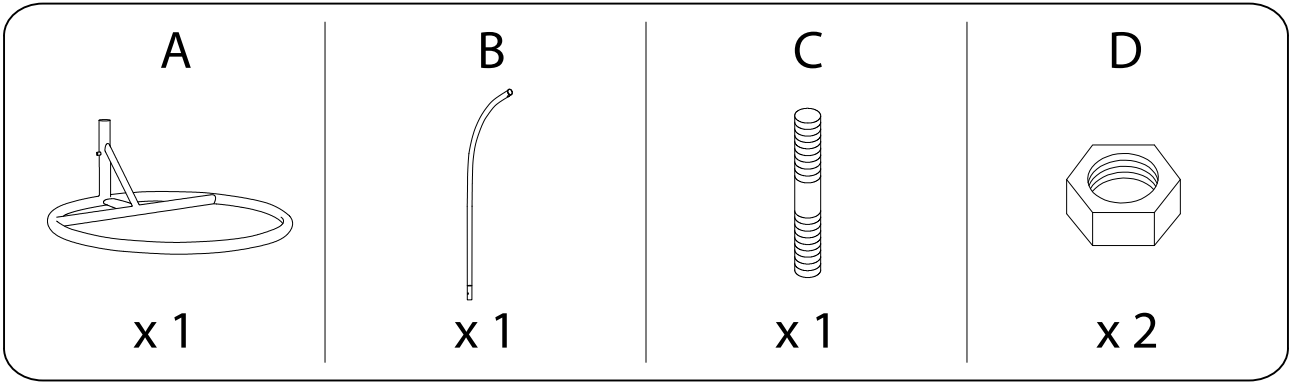


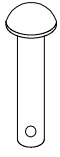
30'



1

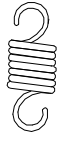


E



x 1

F



x 1

G



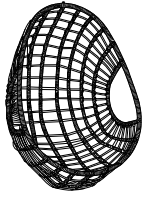
x 1

H



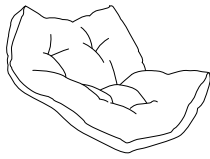
x 1

I



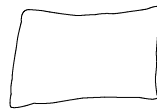
x 1

J



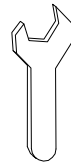
x 1

K



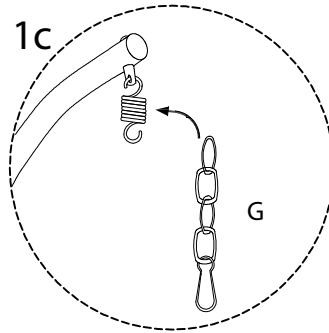
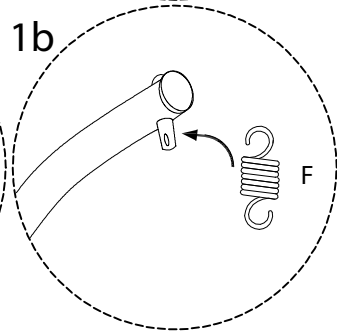
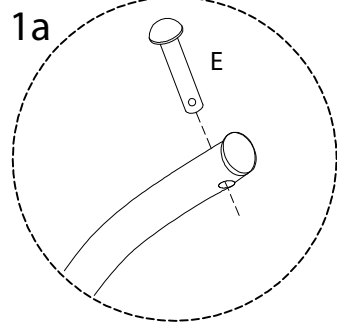
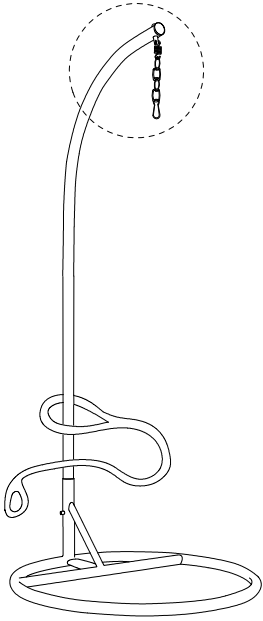
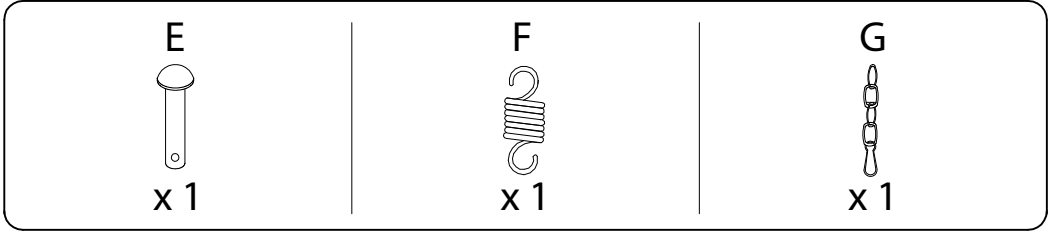
x 1

L

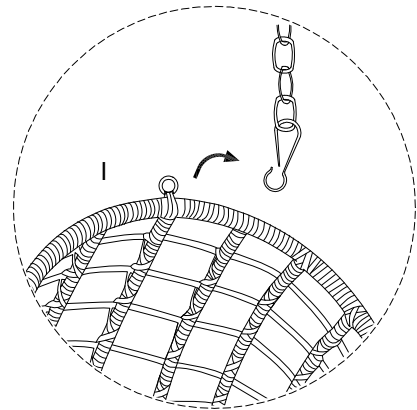
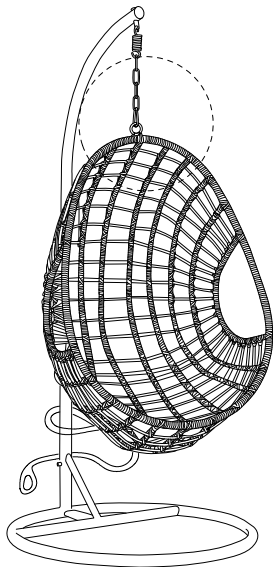
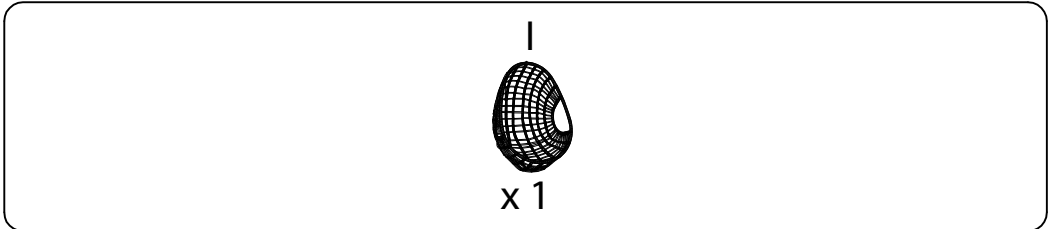


x 1

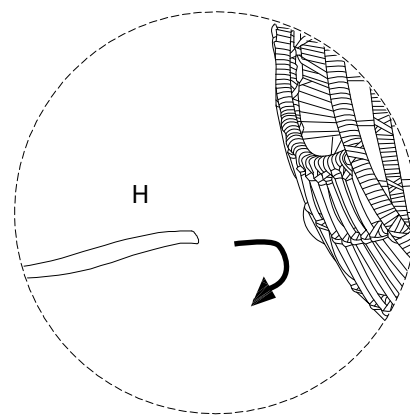
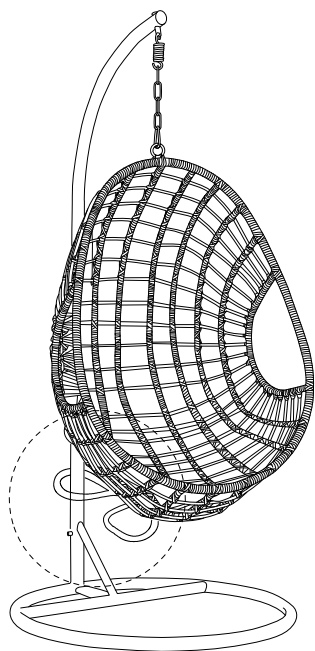
3



4



5



6

K

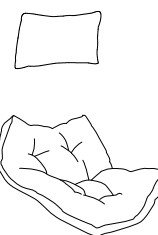
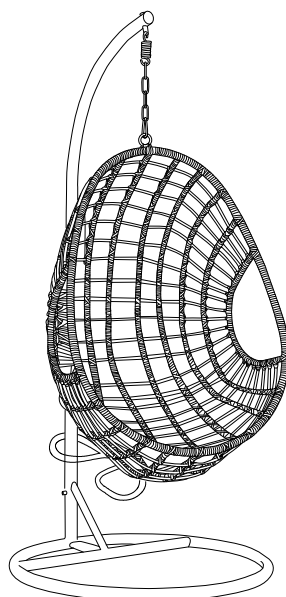


x 1

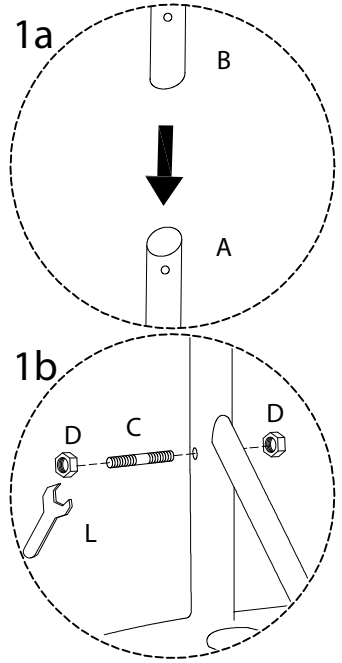
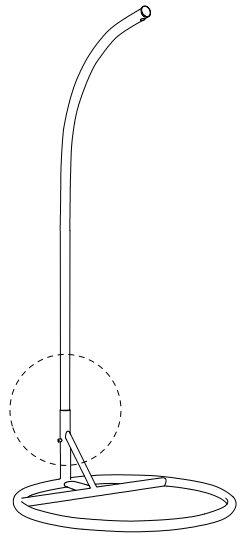
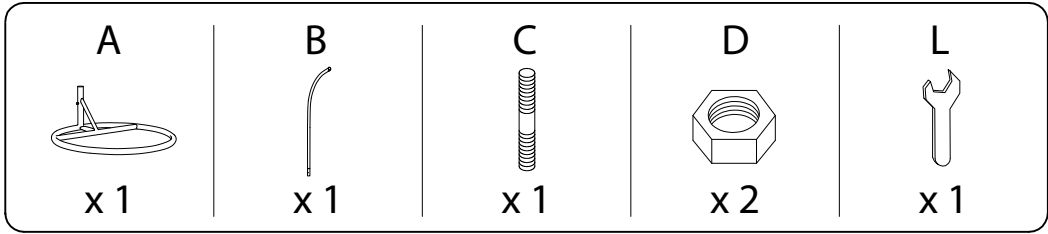
J



x 1



1



2

