

# CosyLifeStyle<sup>®</sup>

Manual  
for  
Orangery  
2,41x3,3x2,58m

# DANCOVER<sup>®</sup>

.com

## Safety Advice

### Attention

In some countries or areas, you may have to obtain permission when setting up structures like greenhouses or similar buildings exceeding a certain size. It is your responsibility to comply with local rules and regulations and to ensure that the greenhouse is assembled correctly.

In case of bad weather conditions, it is your responsibility to ensure the greenhouse is safely secured and that the structure does not cause damage to others. Be sure to close doors and windows in the greenhouse, remove any loose objects in the garden, which may hit the greenhouse if the wind takes hold of it. Secure the garden trampoline and ask your neighbours to do the same. Please check the garden in general for loose or broken branches and other objects that may cause a danger in case of windy weather. Do not use open fire, welding equipment or other sources of ignition, inside or close to the greenhouse.

When you buy a greenhouse and set it up in your garden, we recommend that you check whether your home insurance covers the structure. At the same time, you are not supposed to be inside the greenhouse during extreme weather conditions.

This structure has not been tested for specific snow and wind loads! Make sure you follow our general safety advice and in the event of snow, always remove excessive amounts of snow from the greenhouse to prevent too much snow on the roof of the greenhouse. Heavy snow may cause the roof or entire structure to collapse.

**Note:** Dancover warranty applies only to the normal use of the greenhouse, normal wear and tear excepted, in accordance with written use instructions or manual. The warranty does not apply to damage caused by accident, abuse, misuse or modification of the greenhouse.

### Warranty Information

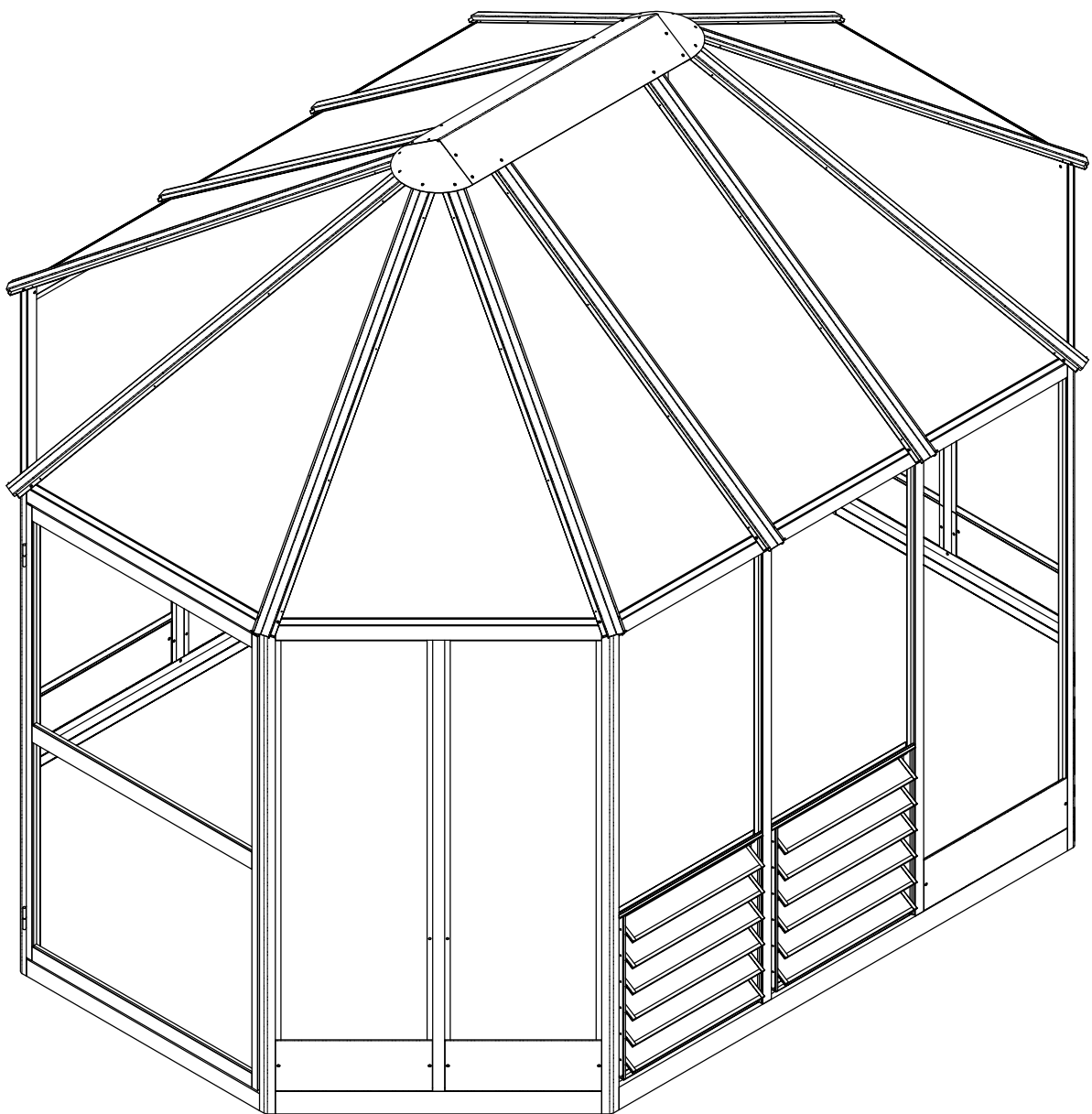
Please visit [dancovershop.com](http://dancovershop.com) for information on warranty.

*Please always check our website for the latest safety advice and manual.*

# Green House

---

OWNER'S MANUAL /  
Instructions for Assembly



Your Greenhouse must be installed on a level firm foundation.

## **SAFETY ADVICE**

We strongly recommend the use of work gloves during assembly;  
Do not attempt to assemble the greenhouse in windy or wet conditions;  
Do not touch overhead power cables with the aluminum profiles;  
Always wear shoes and safety goggles when working with extruded aluminum;  
Dispose of all Plastic bags safely-keep them out of reach of small children;  
The greenhouse must be positioned and fixed on a flat level surface;  
Do not lean against or push the greenhouse during construction;  
Keep children away from the assemble area;  
Do not position your greenhouse in an area exposed to excessive wind;  
Do not attempt to assemble this greenhouse if you are tired, have taken drugs or alcohol or if you are prone to dizzy spells;  
If using a step ladder or power tools ensure that you follow the manufactures safety advice;  
Hot items such as recently used grills, blowtorches etc. must not be stored in the greenhouse;  
Ensure there are no hidden pipes or cables in the ground before inserting the pegs.

## **GENERAL ADVICE**

This is a multi-part assembly. Allow at least 180 minutes for assembly by two people.  
Selecting a site- choose a sunny level position away from overhanging trees.  
The component parts should be checked and laid out close at hand.  
Keep all small parts (screws etc.) in a bowl so they do not get lost.  
Note that the door is hinged on the right hand side and therefore opens to the right. Keep roof clear of snow and leaves.

## **CARE & MAINTENANCE**

When your greenhouse needs a clean, use a mild detergent solution and risen with cold clean water.  
DO not use acetone, abrasive cleaners or other special detergents to clean the panels.

## **TOOLS**

### Tools You Will Need

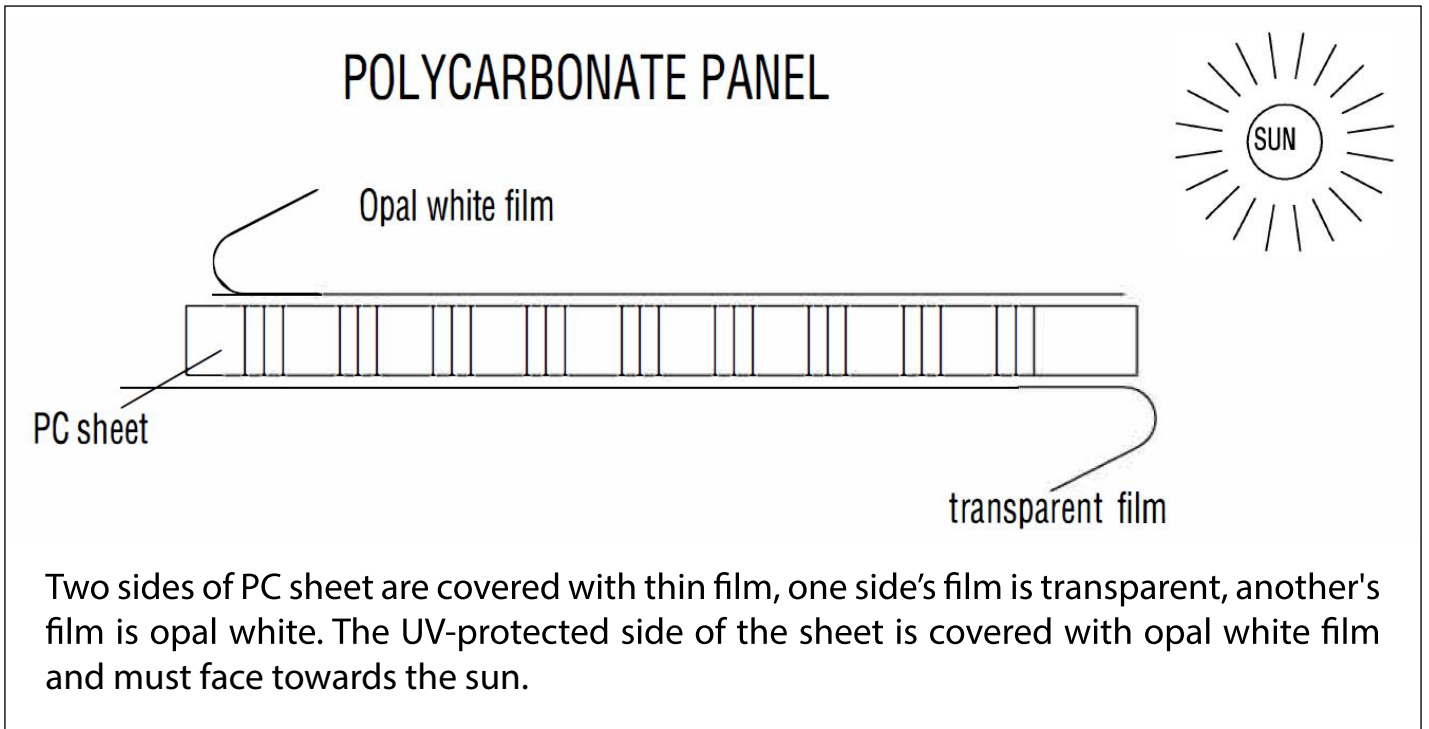
Hand Gloves  
Ladder

Adjustable Piers  
Tape Measure

Level-3ft.  
Scissors


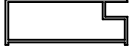
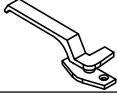

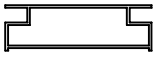
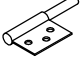






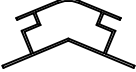





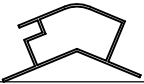

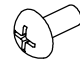




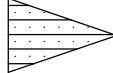
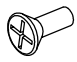
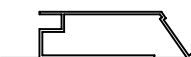
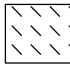






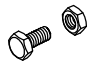

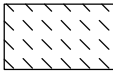
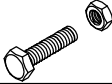
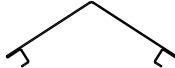



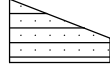


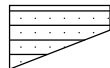

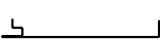
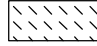
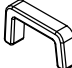





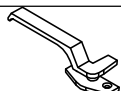
## Notes:

1. Remove approximately 2 inches of film from all sheet edges before installing. remove all film immediately after the constructions completed.
2. The UV-protected side of the sheet is covered with opal white film and must face towards the sun.

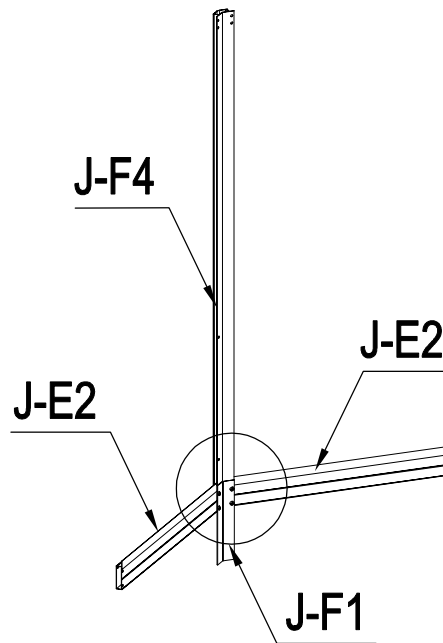
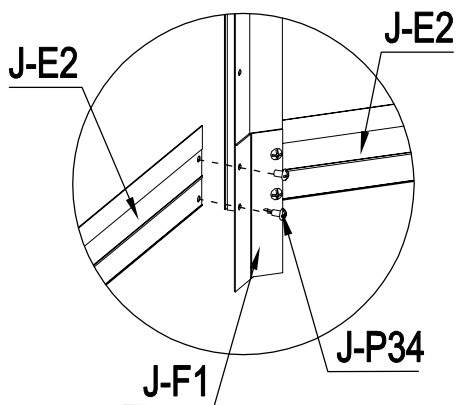


Please note: To make the roof of your orangery waterproof, you need to seal the joints with silicone sealant for greenhouses.

# Parts List

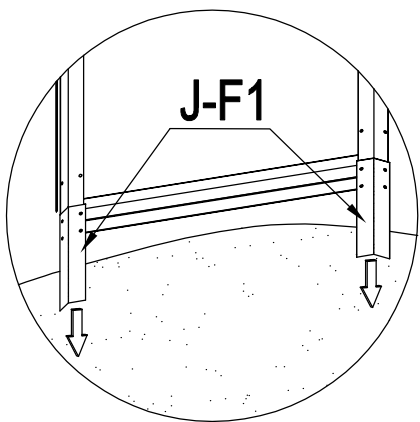
ITEM NO.	ACCESSORIES & PROFILES	QTY	ITEM NO.	ACCESSORIES & PROFILES	QTY	ITEM NO.	ACCESSORIES & PROFILES	QTY
J-F1		6	J-E15		2	J-F29a		1
J-E2		5	J-E16		1	J-F30		2
J-P2a		2	J-H17		9	J-F30a		2
J-E3		1	J-P18		2	J-F31		2
J-F4		6	J-P19		2	J-F32		2
J-F5		1	J-E20		6	J-P33		24
J-F6		1	J-P20a		4	J-P34		90
J-E7		5	J-P20b		2	J-P35		40
J-P7a		2	J-P21		6	J-P36		14
J-E8		1	J-P22		2	J-P37		102
J-P9		8	J-P23a		10	J-P38		12
J-P9a		4	J-P23b		4	J-P39		26
J-P10		2	J-P24		2	J-P40		28
J-P10a		1	J-P25		12	J-P41		65.8M
J-E11		16	J-P26a		2	J-P42		102
J-P11a		8	J-P26b		2	J-F43		8
J-E12		10	J-P26c		2	J-P44		4
J-P12a		4	J-P27		28			
J-F13a		1	J-F28		1			
J-F14		1	J-F29		1			

1

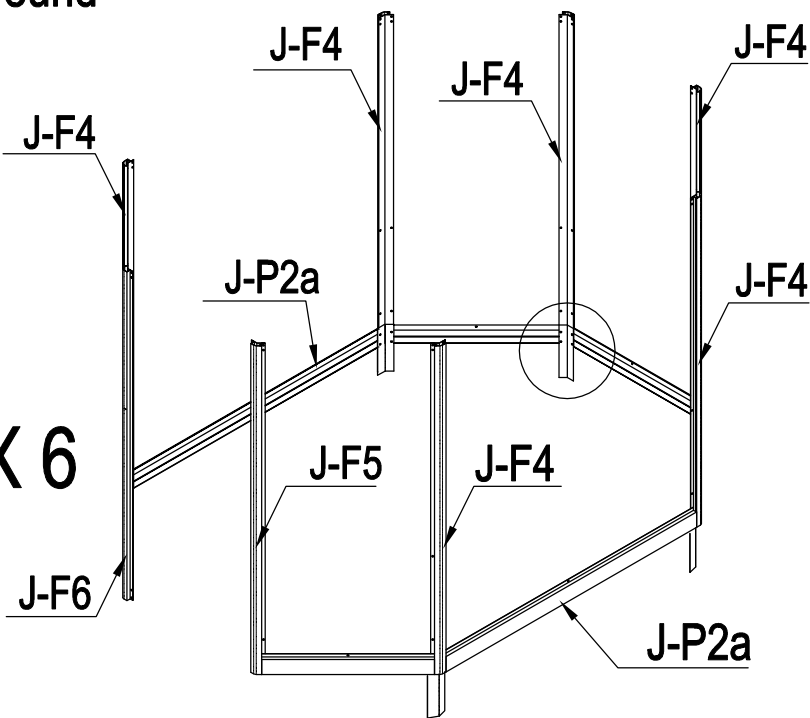


2

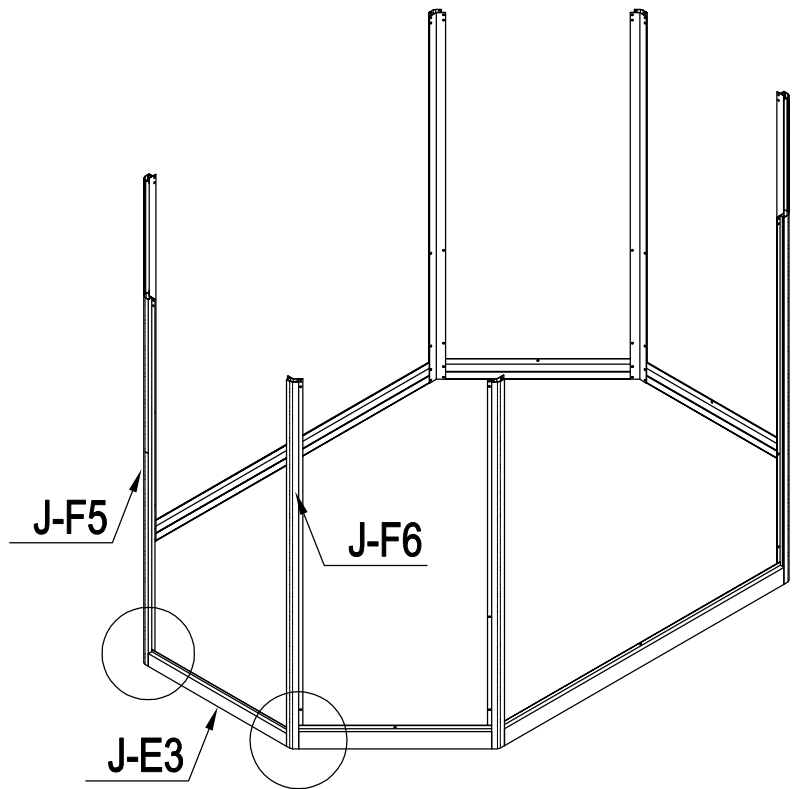
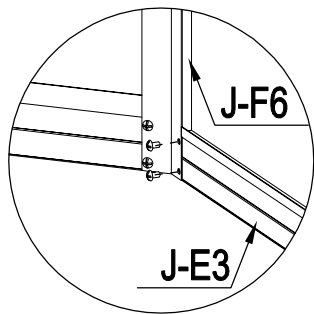
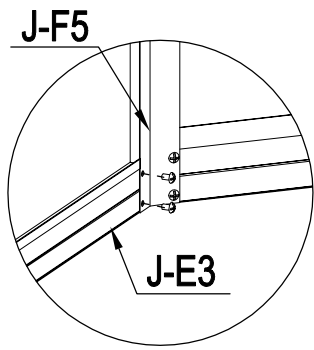
Insert J-F1 into underground



X 6

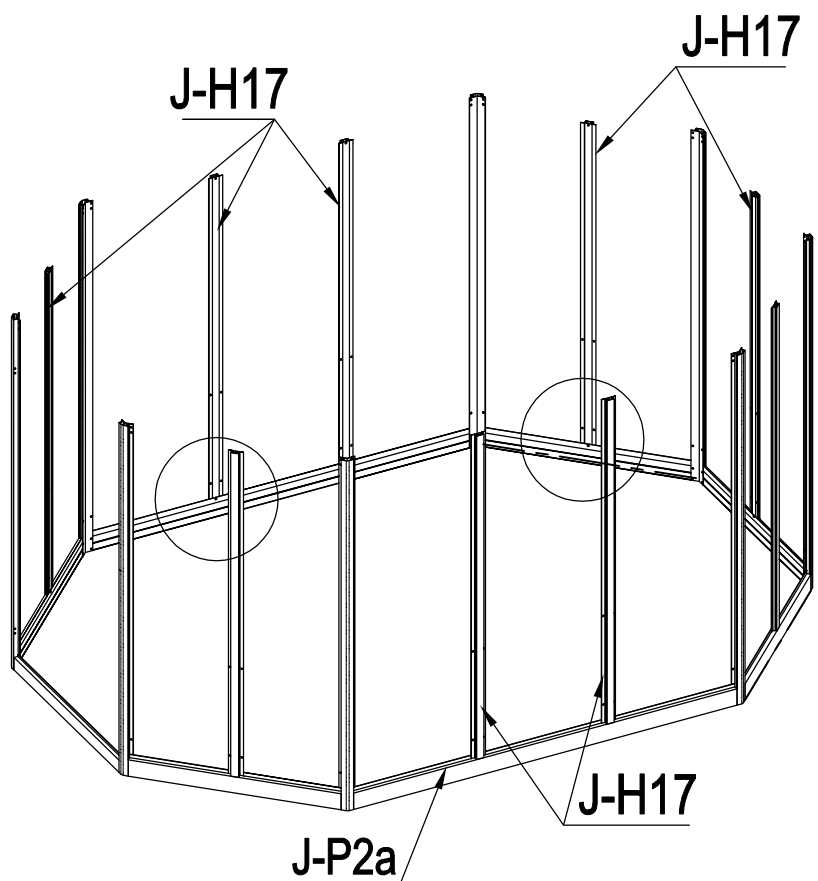
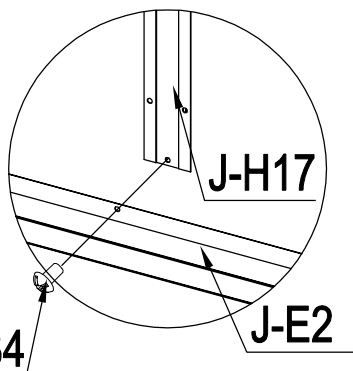
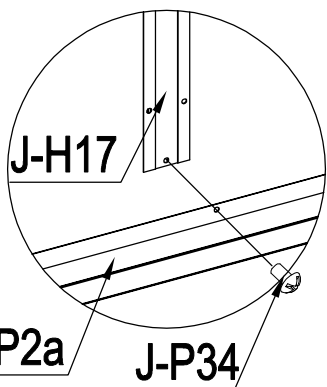


3



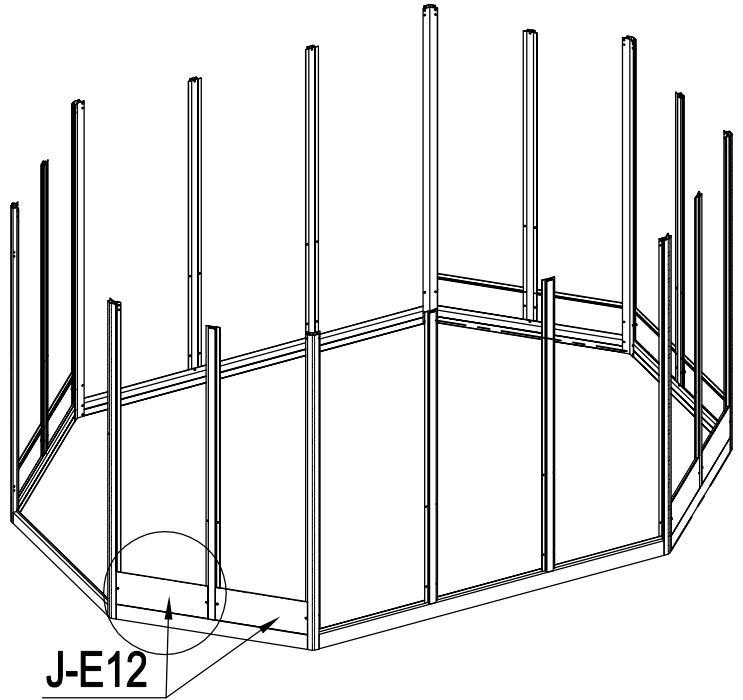
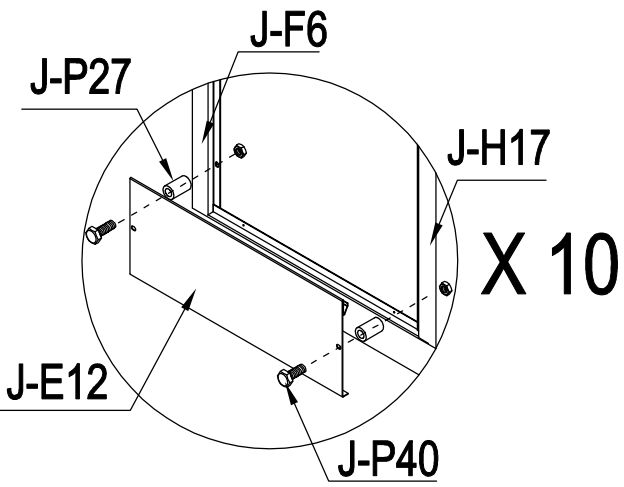
Face avant / Front / Parte Frontal / Vorne

4

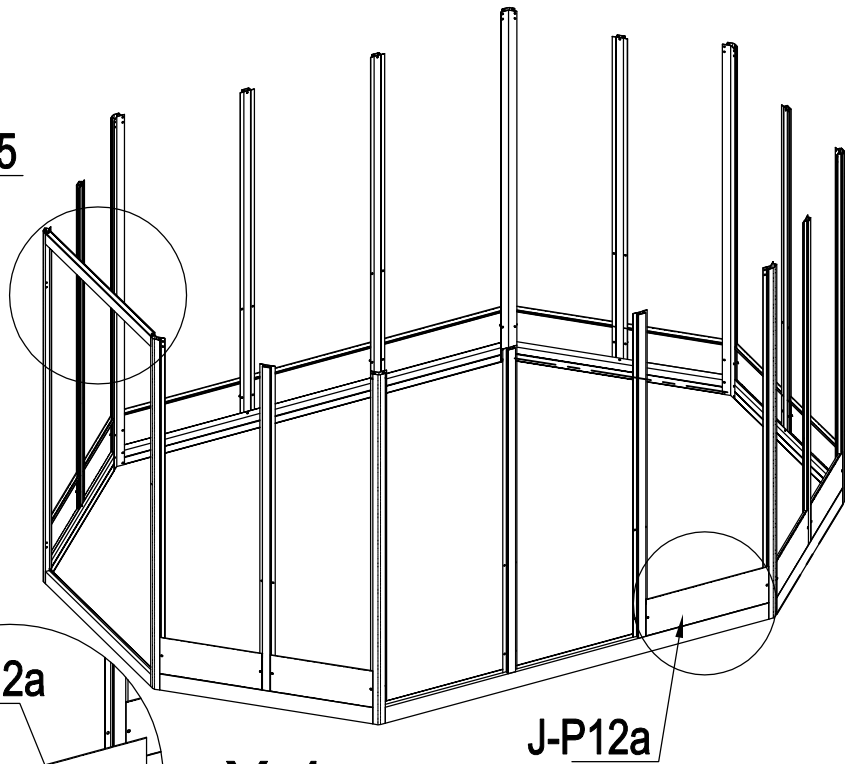
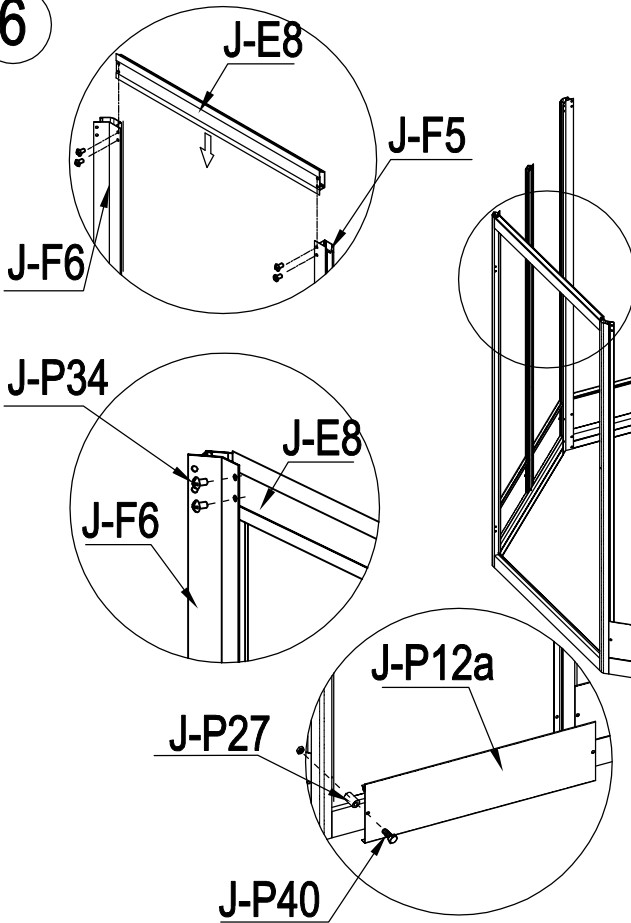


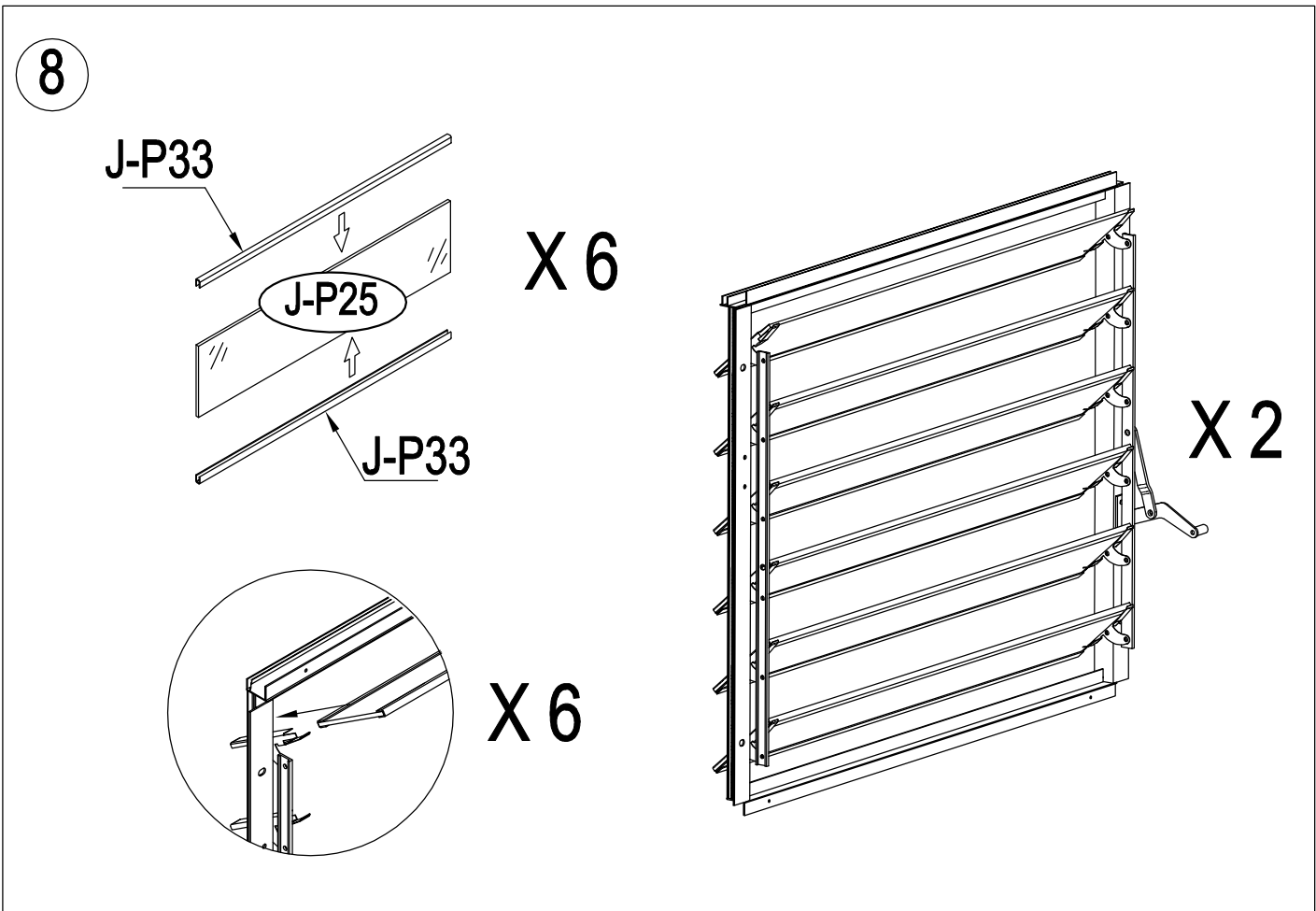
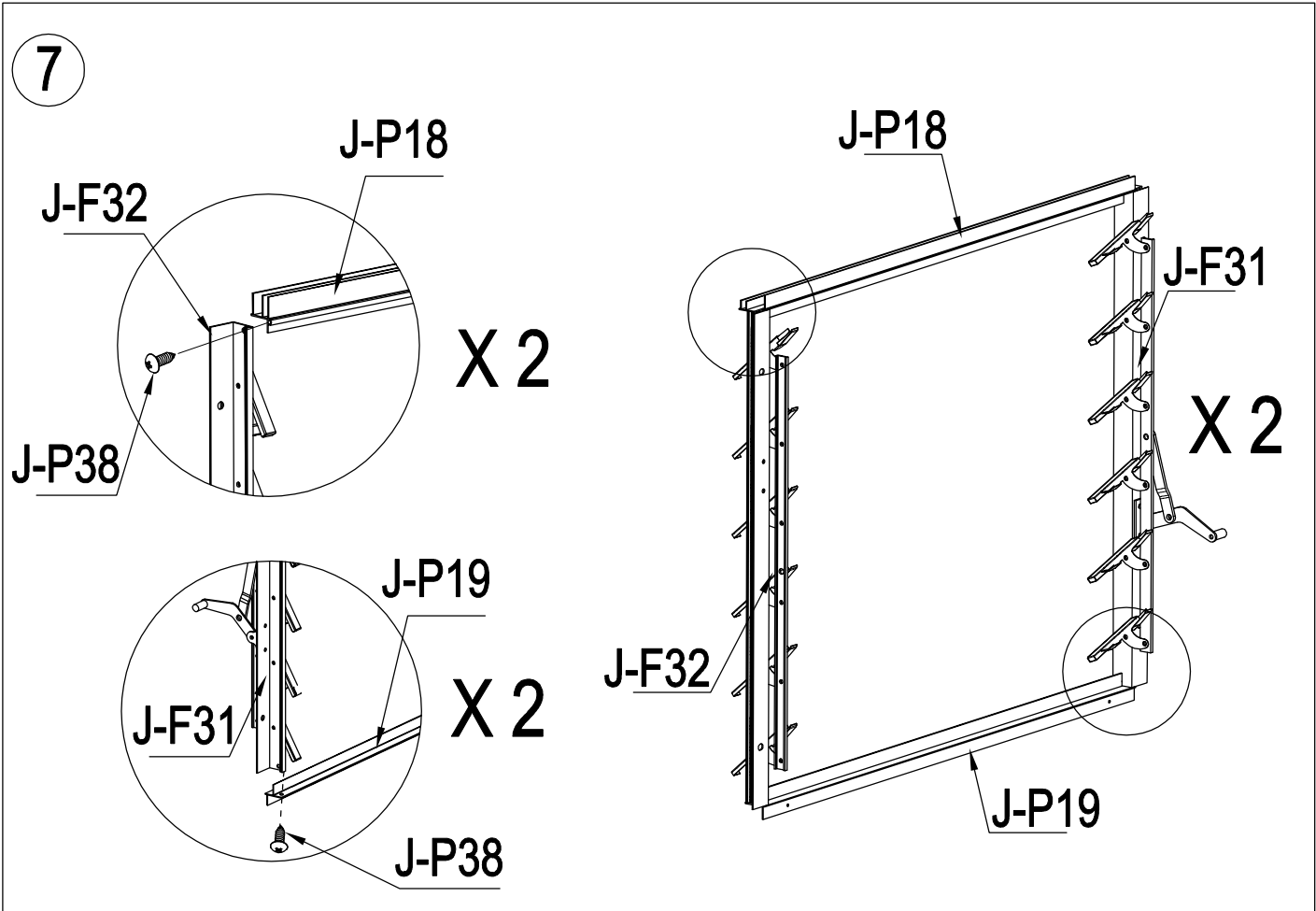


5



6



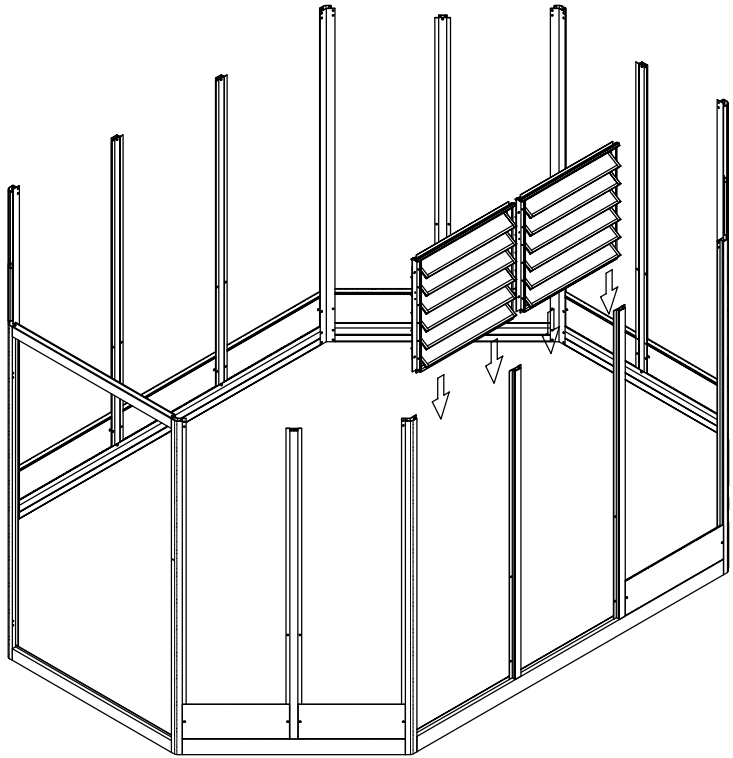


9

J-P39

J-F4

J-F4



10

J-F4

J-H17

J-F4

J-P23b

J-P23b

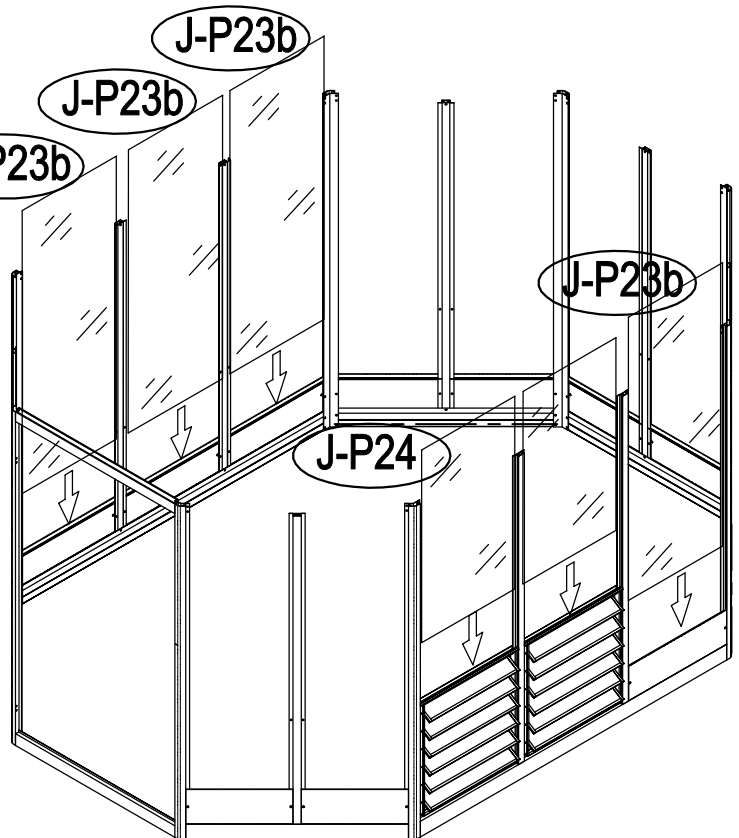
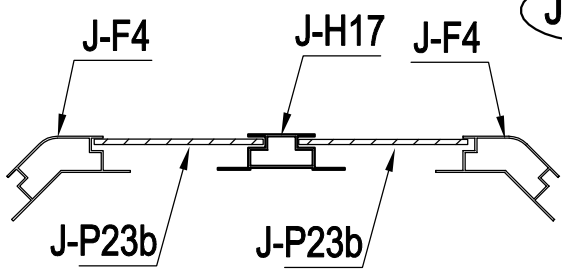
J-P23b

J-P23b

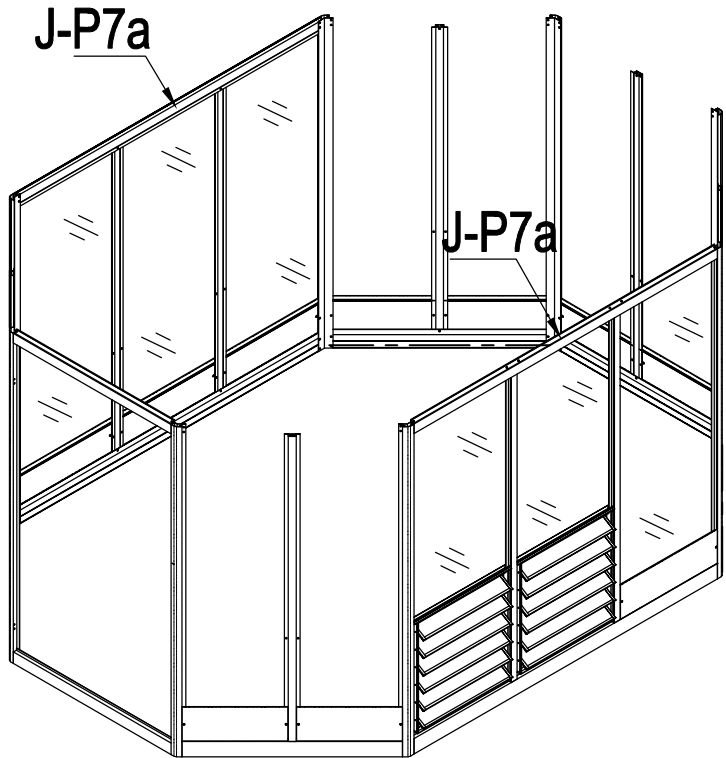
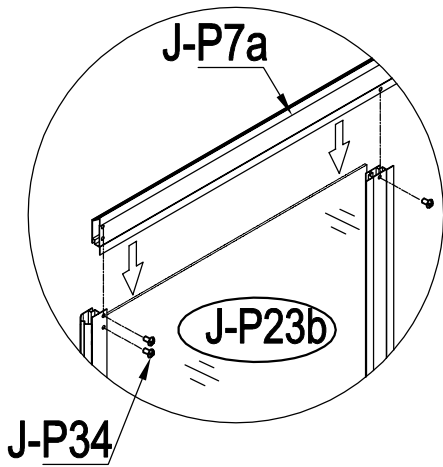
J-P23b

J-P23b

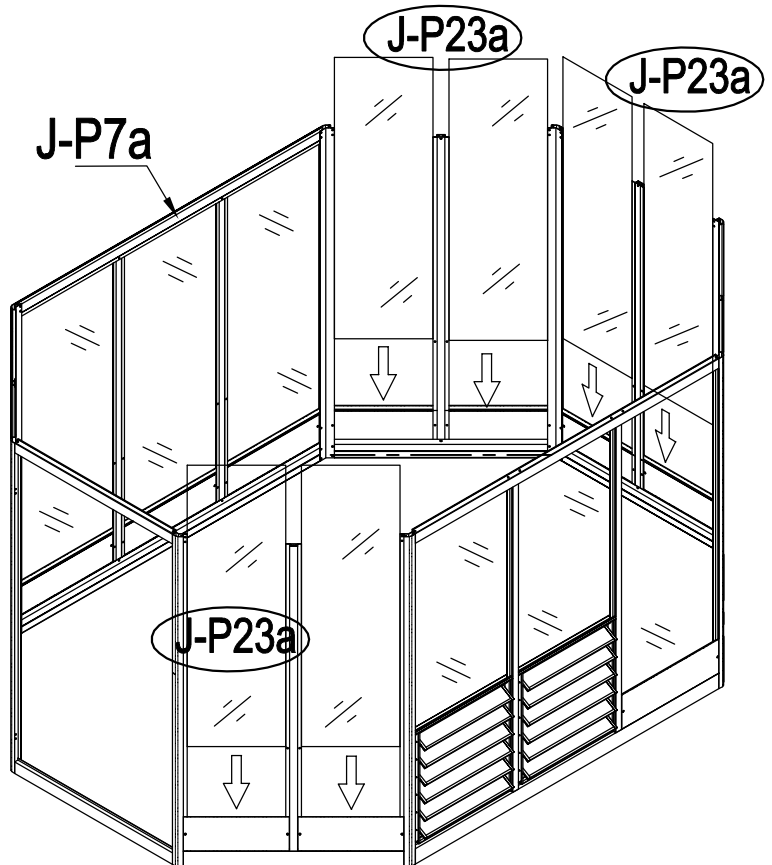
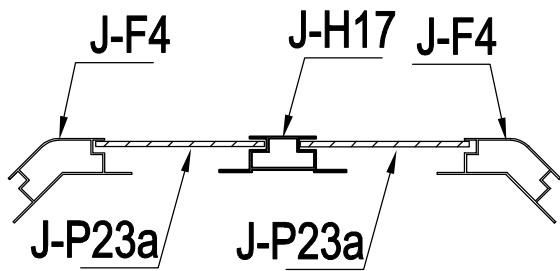
J-P24



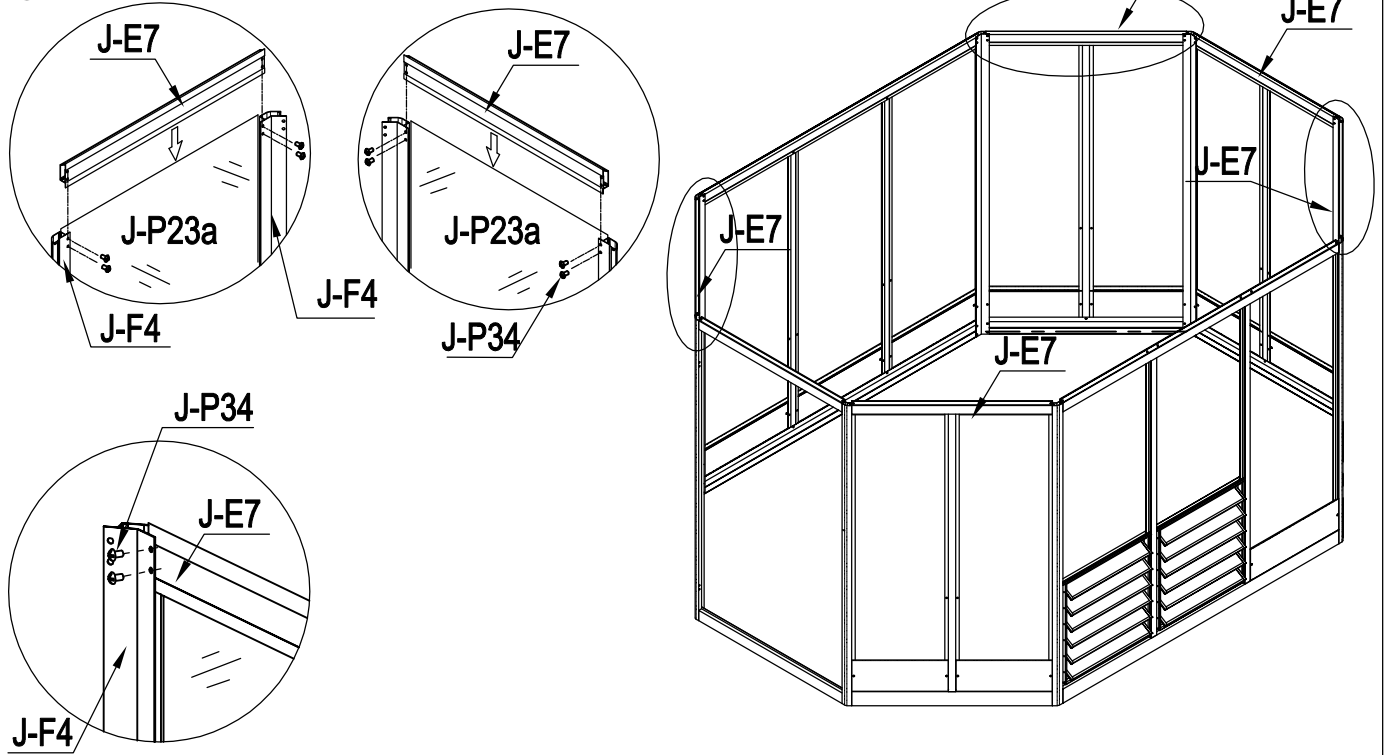
11



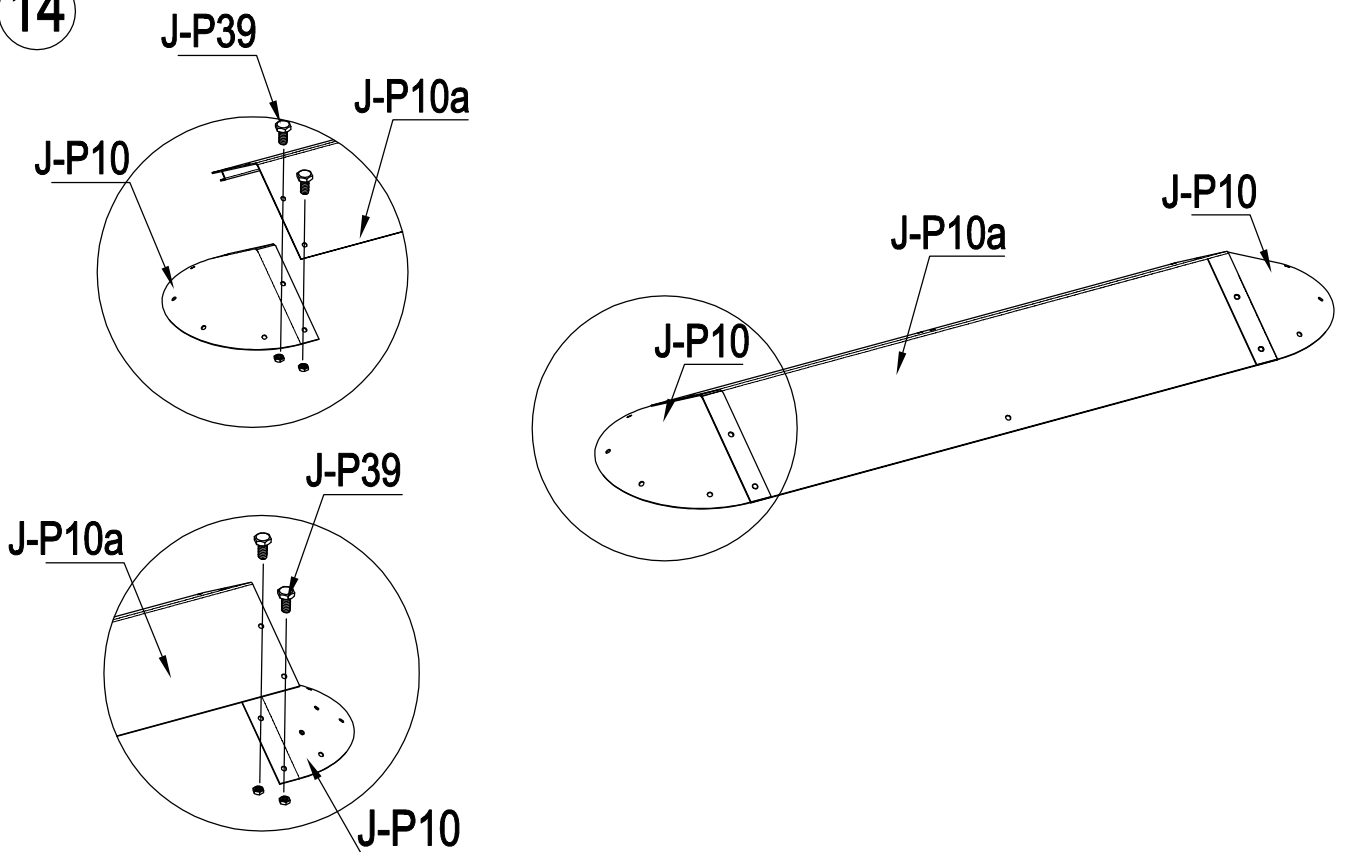
12



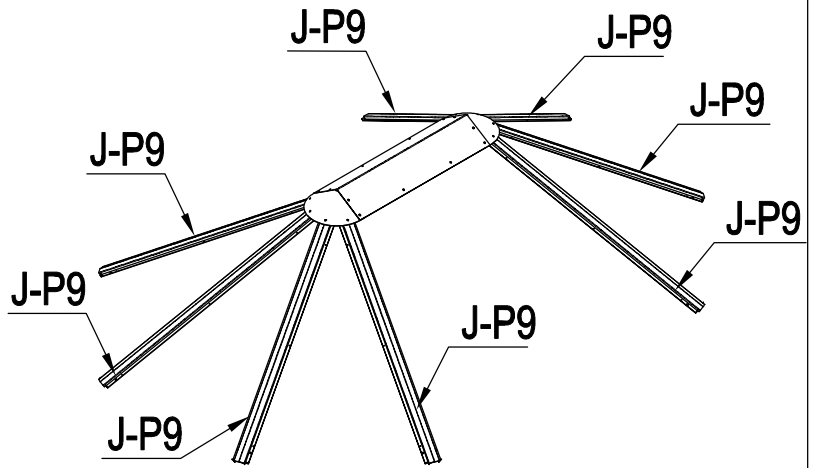
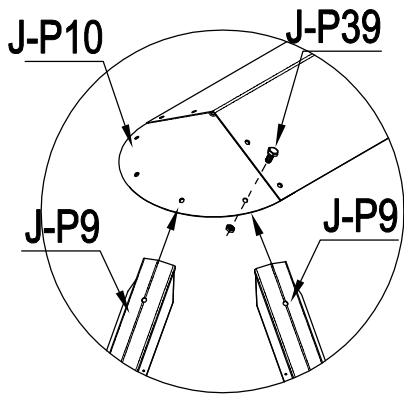
13



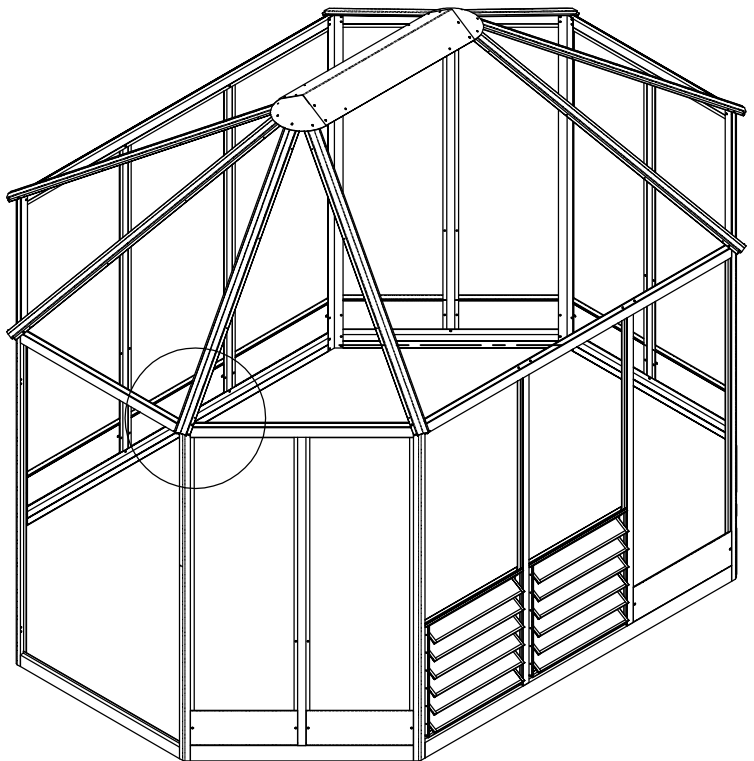
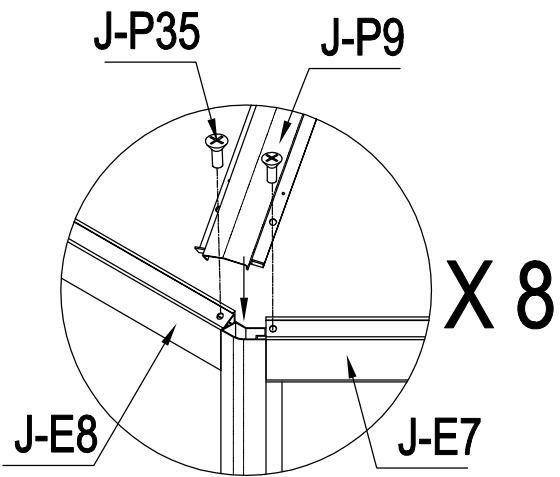
14

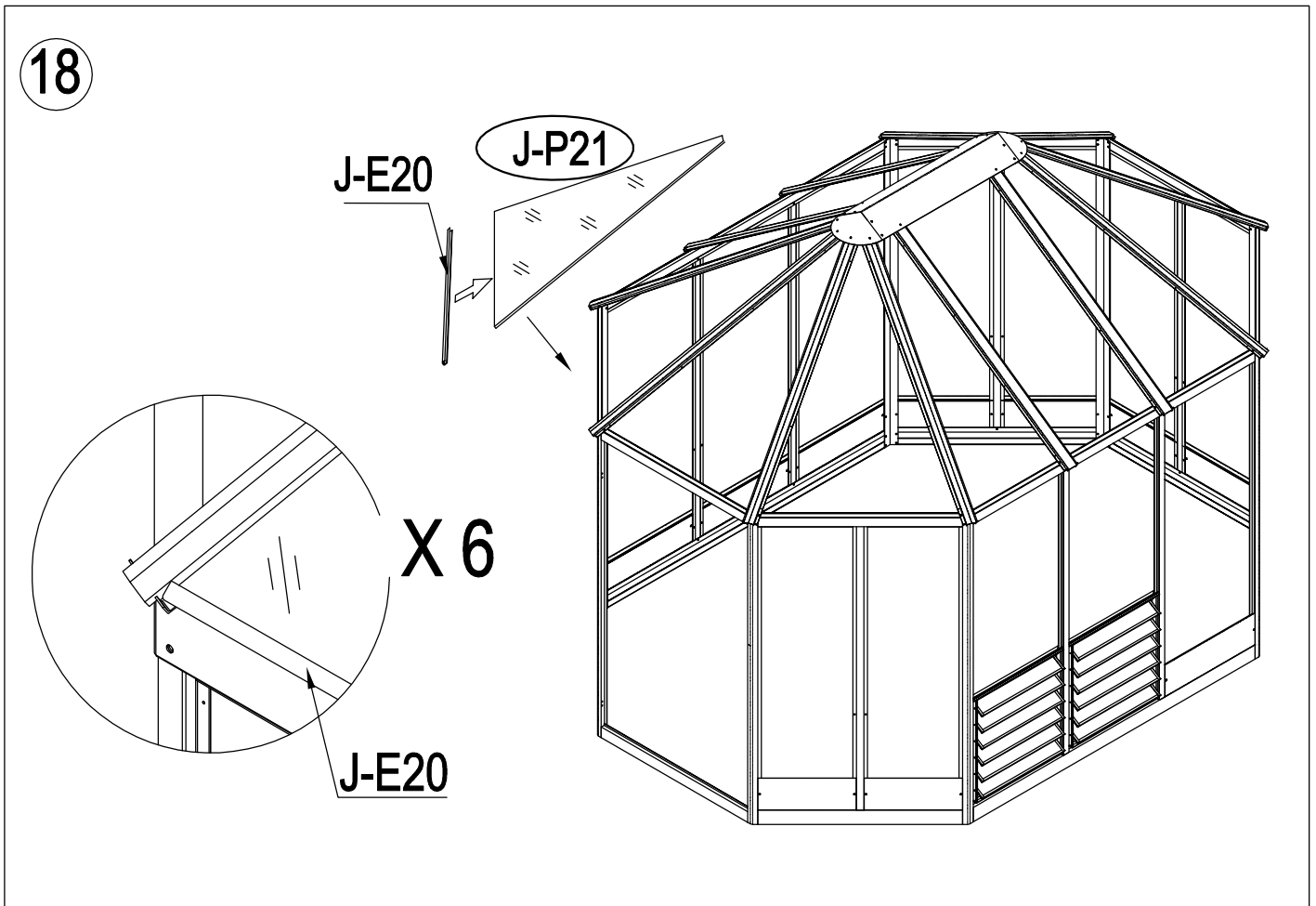
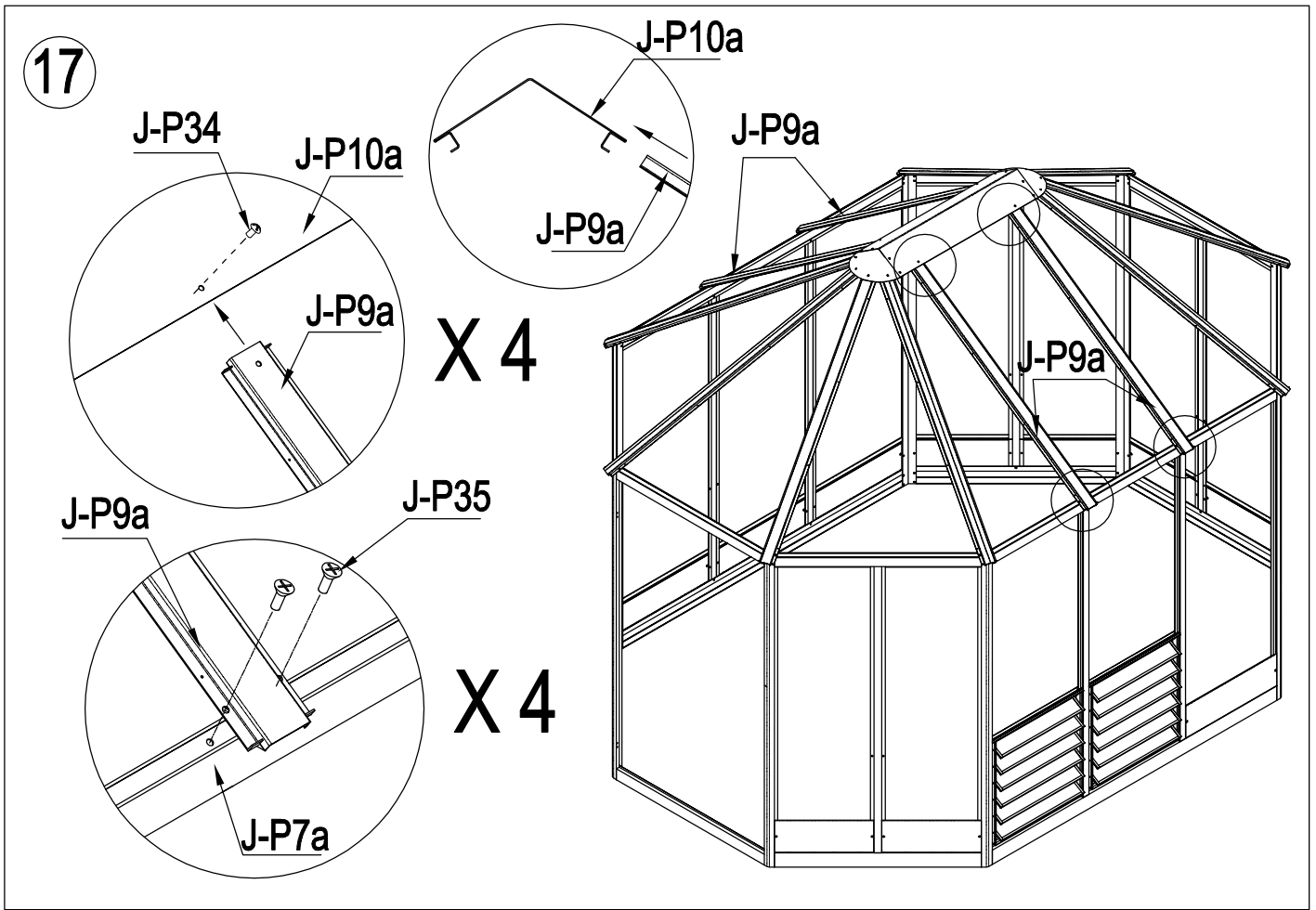


15

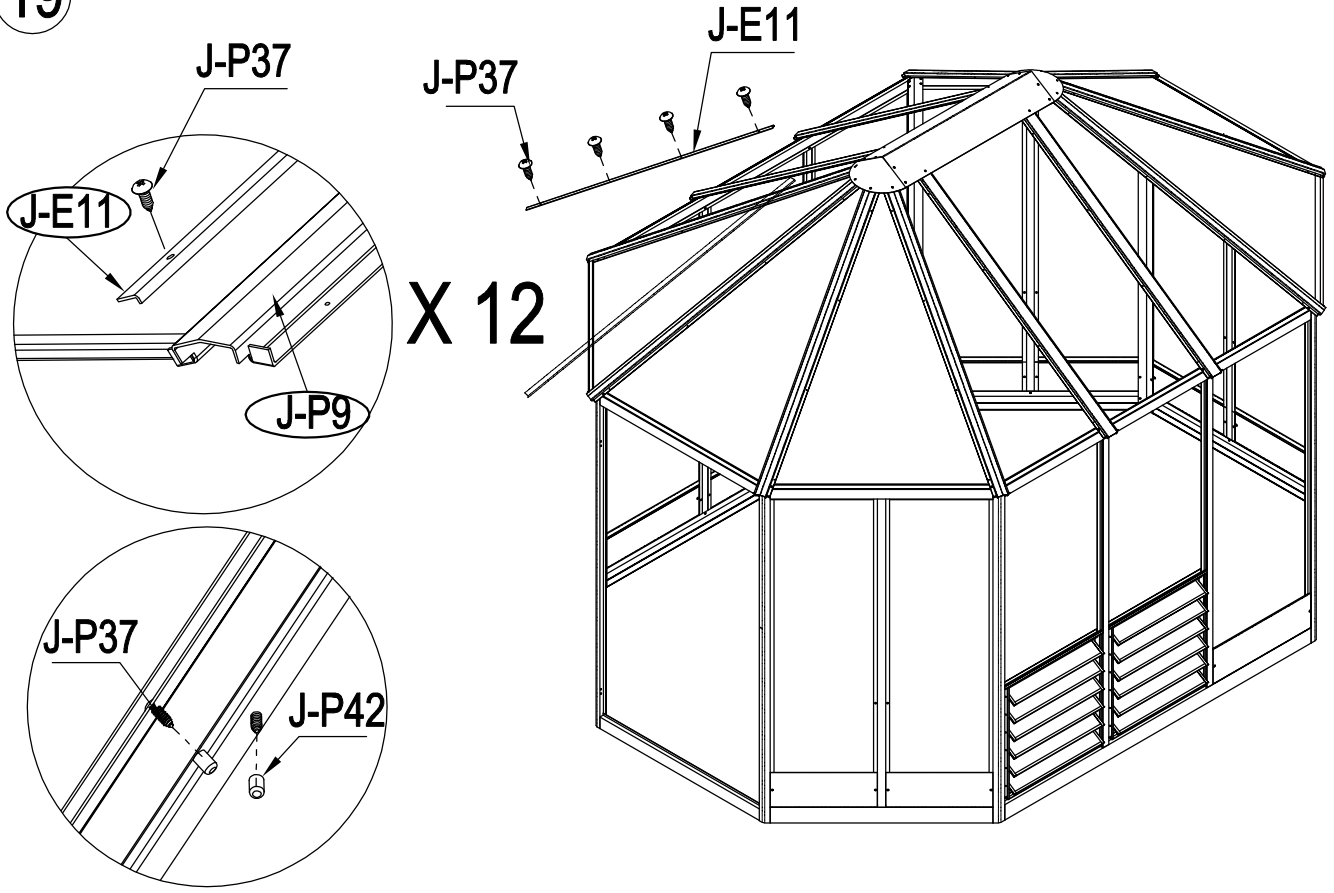


16

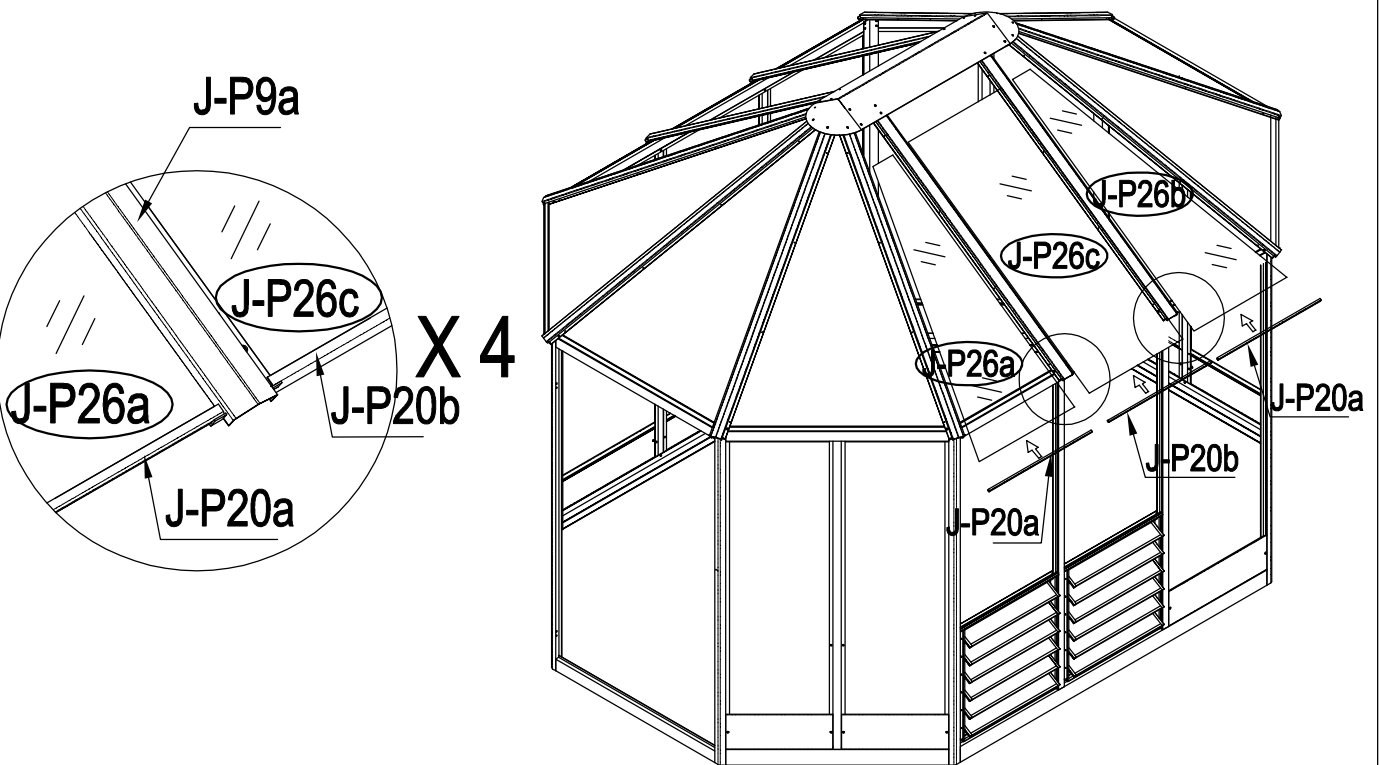




19

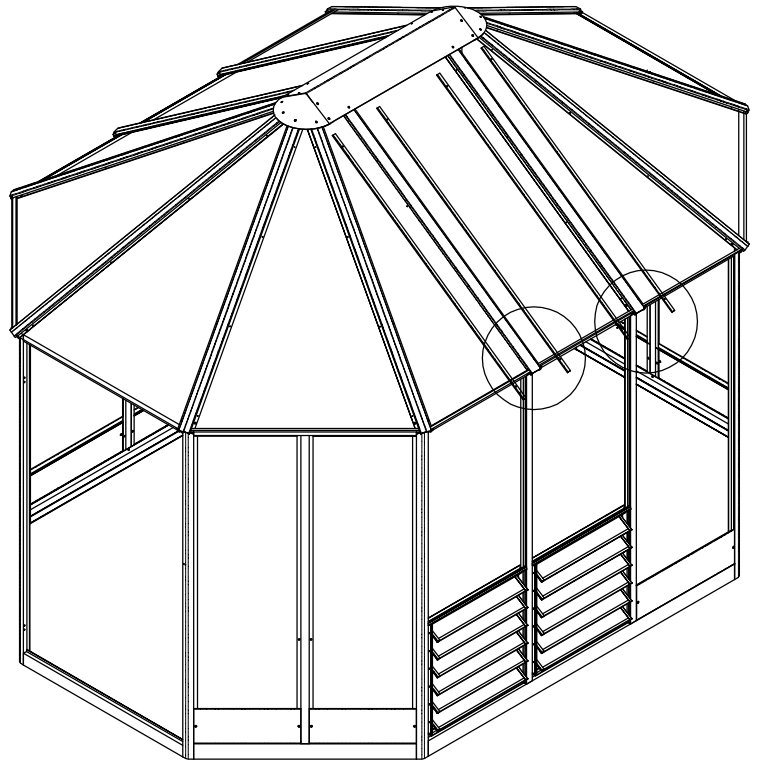
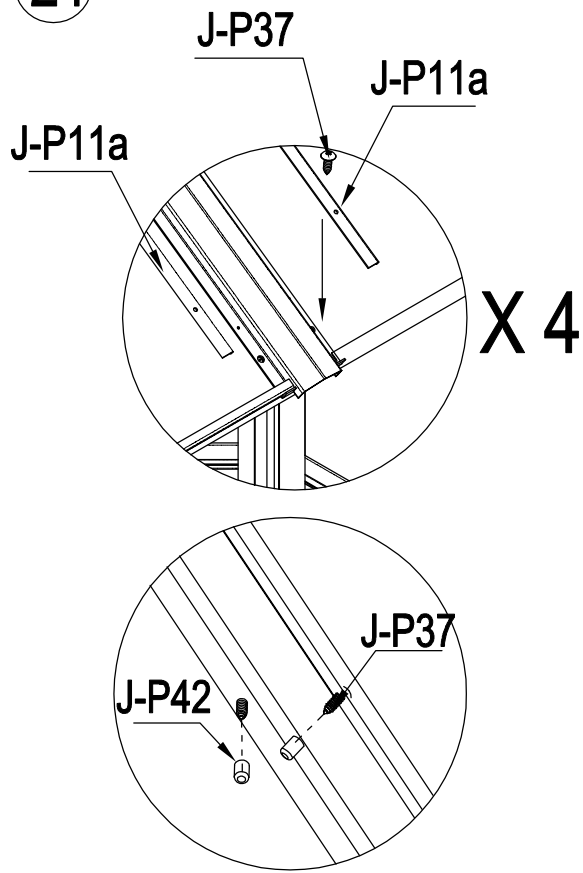


20

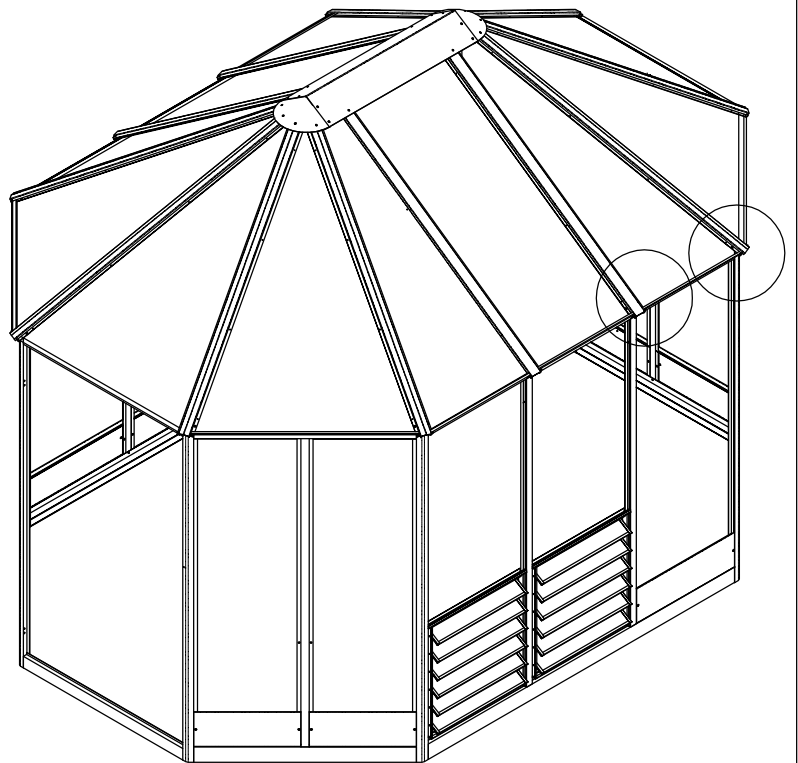
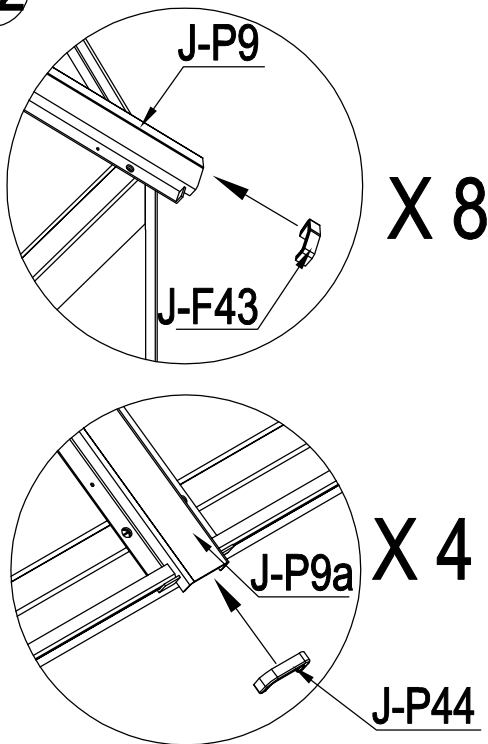




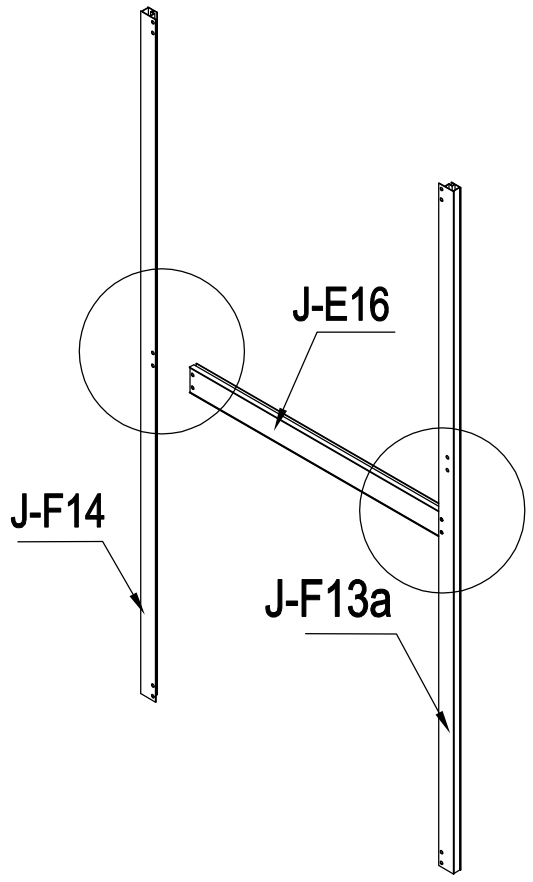
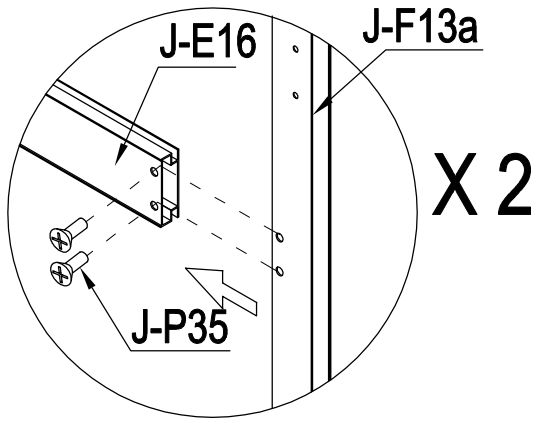
21



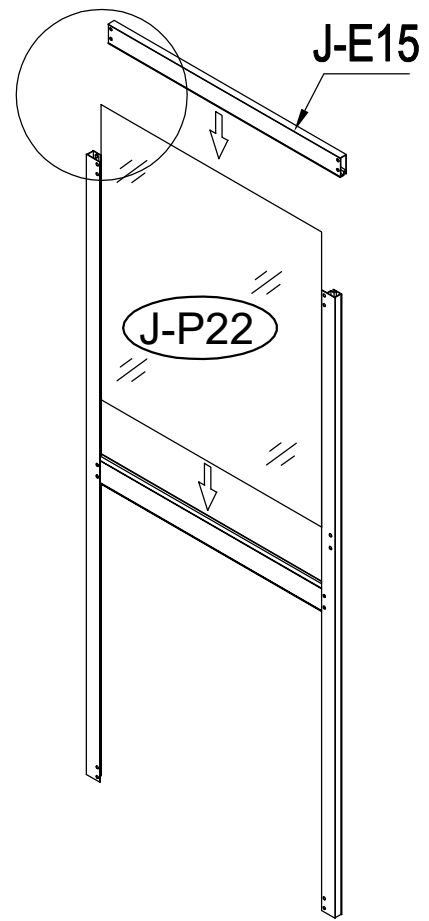
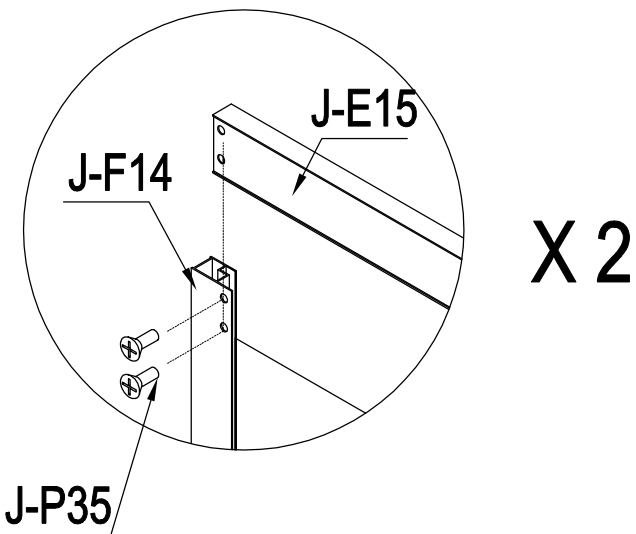
22



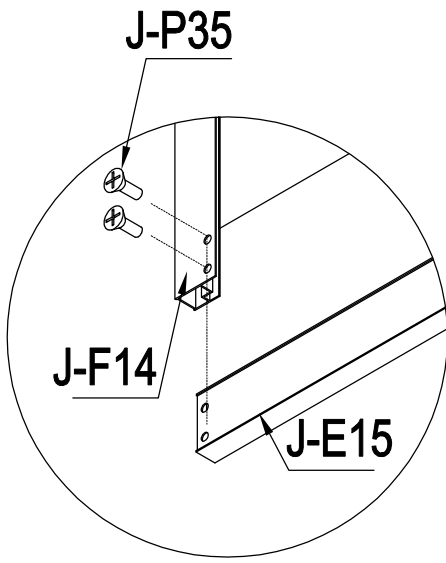
23



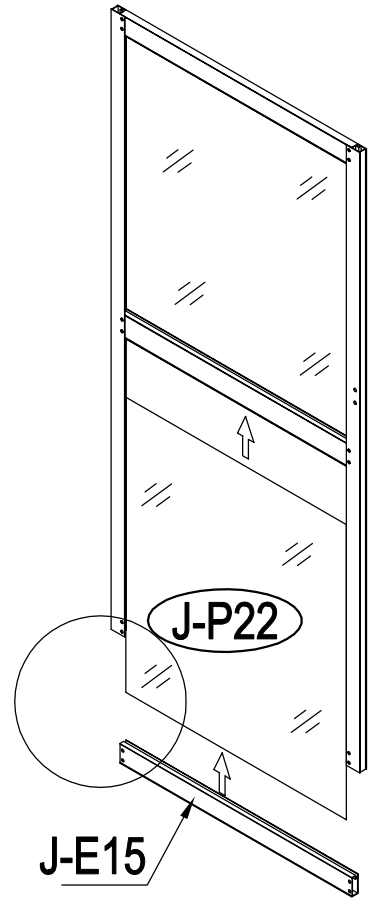
24



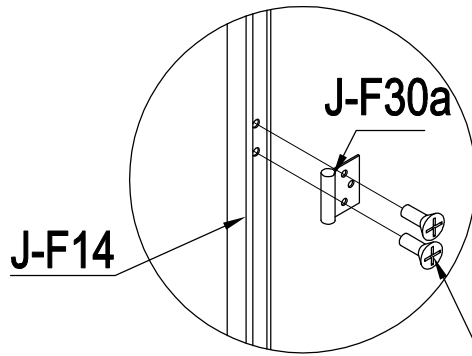
25



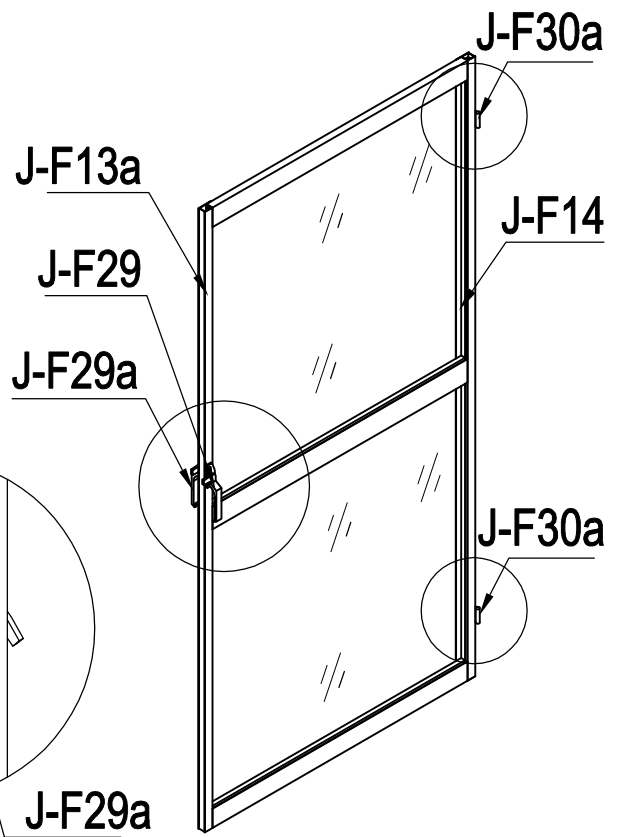
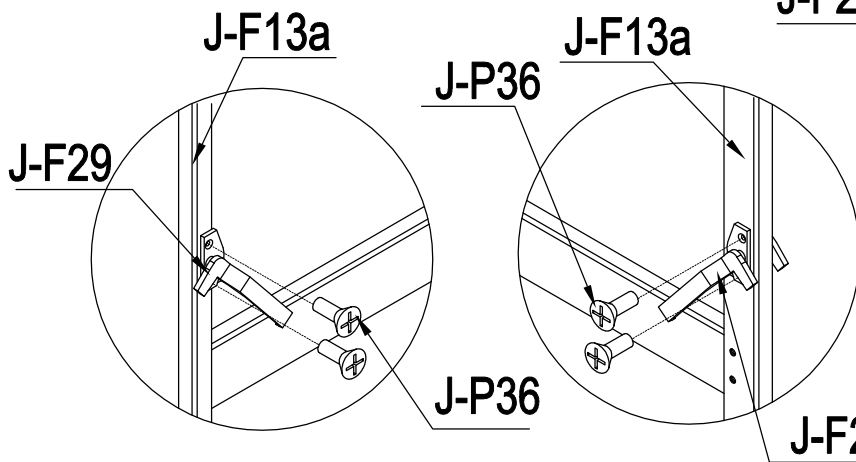
X 2



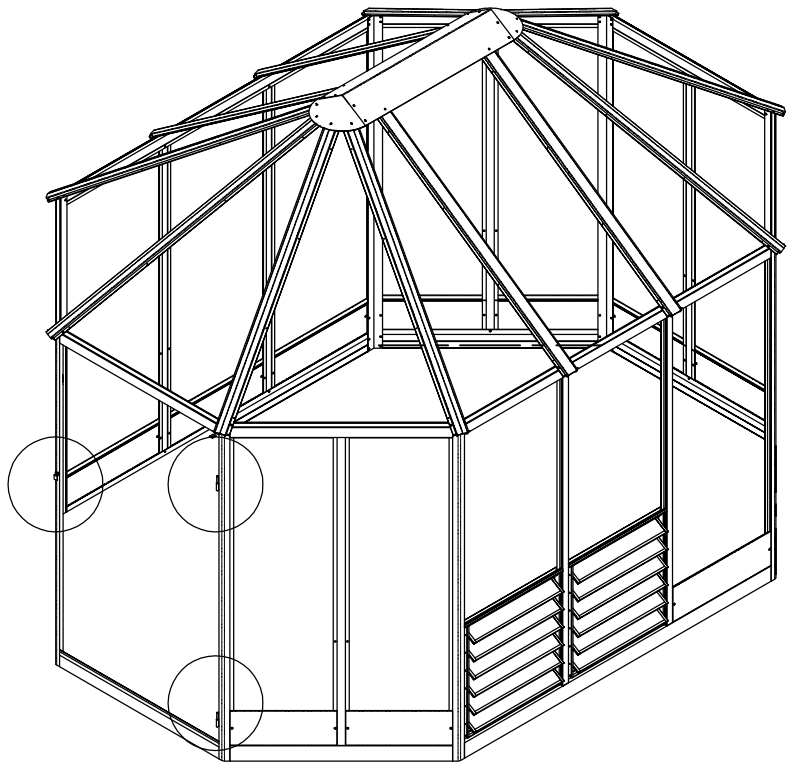
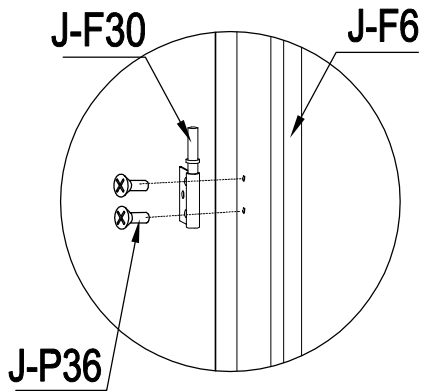
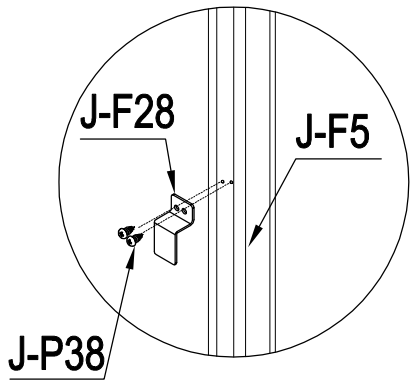
26



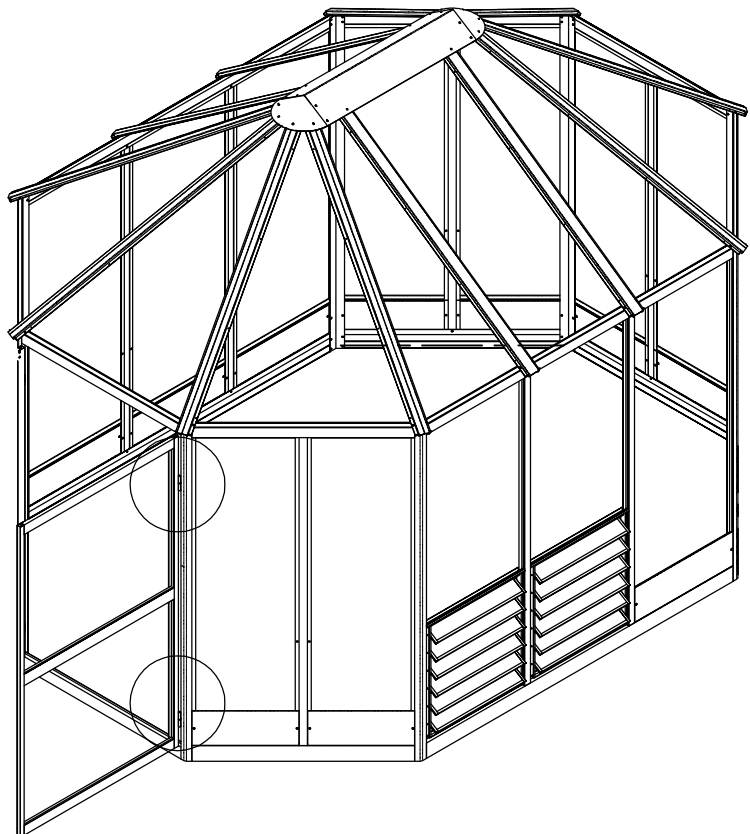
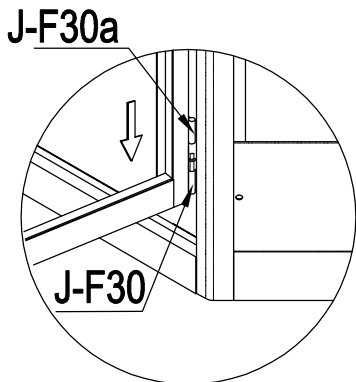
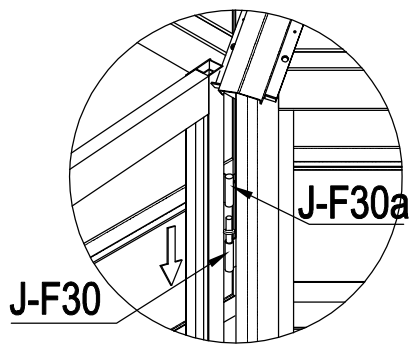
X 2



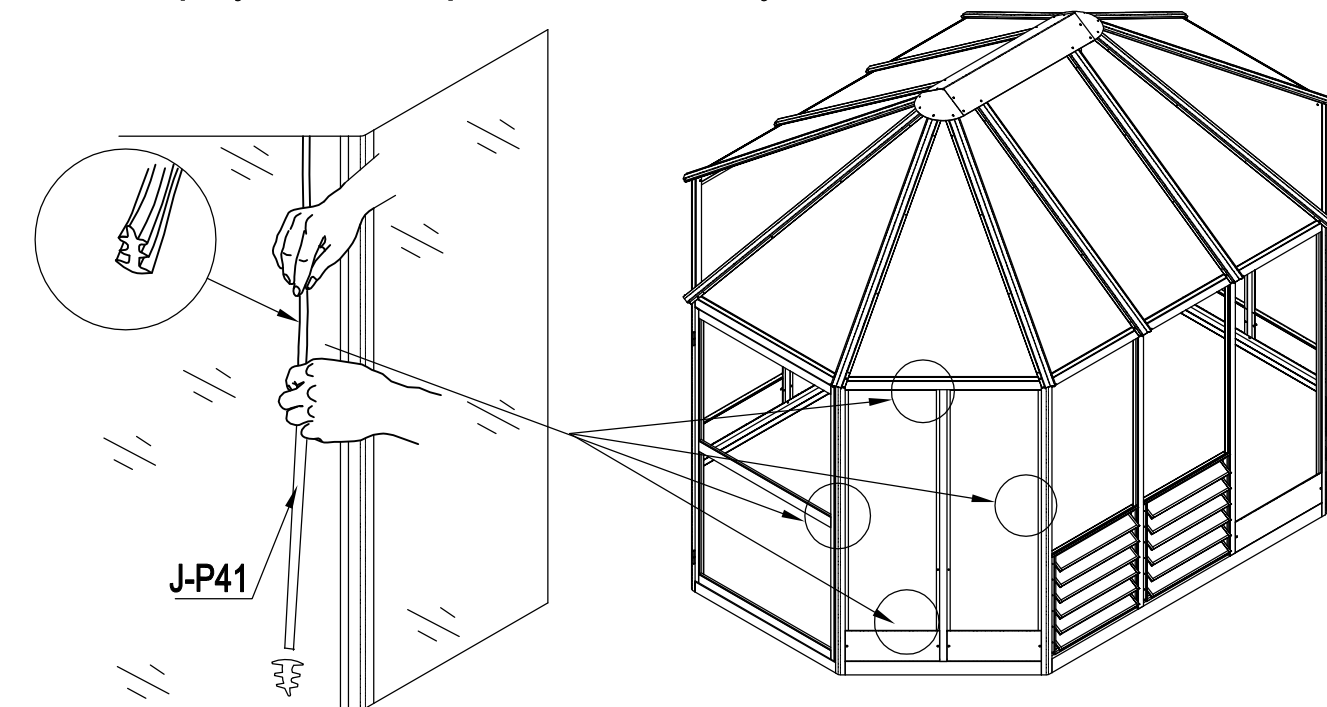
27



28



- 29 Cut the sealing strip J-P41 with suitable length, then press it into the grooves. Make sure all around of the solid polycarbonate panel are securely fixed.



## Contact information

### Head office:

Dancover A/S  
Lyngevej 16A, Nørre Herlev  
3400 Hillerød  
Denmark

For more information  
please visit:

[www.dancovershop.com](http://www.dancovershop.com)

## National contact

### Denmark:

[denmark@dancover.com](mailto:denmark@dancover.com)

### UK:

[uk@dancover.com](mailto:uk@dancover.com)

### Germany:

[germany@dancover.com](mailto:germany@dancover.com)

### France:

[france@dancover.com](mailto:france@dancover.com)

### Sweden:

[sverige@dancover.com](mailto:sverige@dancover.com)

### Finland:

[suomi@dancover.com](mailto:suomi@dancover.com)

### Poland:

[polska@dancover.com](mailto:polska@dancover.com)

### Luxembourg:

[luxembourg@dancover.com](mailto:luxembourg@dancover.com)

### Portugal:

[portugal@dancover.com](mailto:portugal@dancover.com)

### Spain:

[espana@dancover.com](mailto:espana@dancover.com)

### Italy:

[italia@dancover.com](mailto:italia@dancover.com)

### Switzerland:

[schweiz@dancover.com](mailto:schweiz@dancover.com)

### Austria:

[austria@dancover.com](mailto:austria@dancover.com)

### Norway:

[norge@dancover.com](mailto:norge@dancover.com)

### Nederland:

[nederland@dancover.com](mailto:nederland@dancover.com)

### Ireland:

[ireland@dancover.com](mailto:ireland@dancover.com)

### Belgium:

[belgique@dancover.com](mailto:belgique@dancover.com)