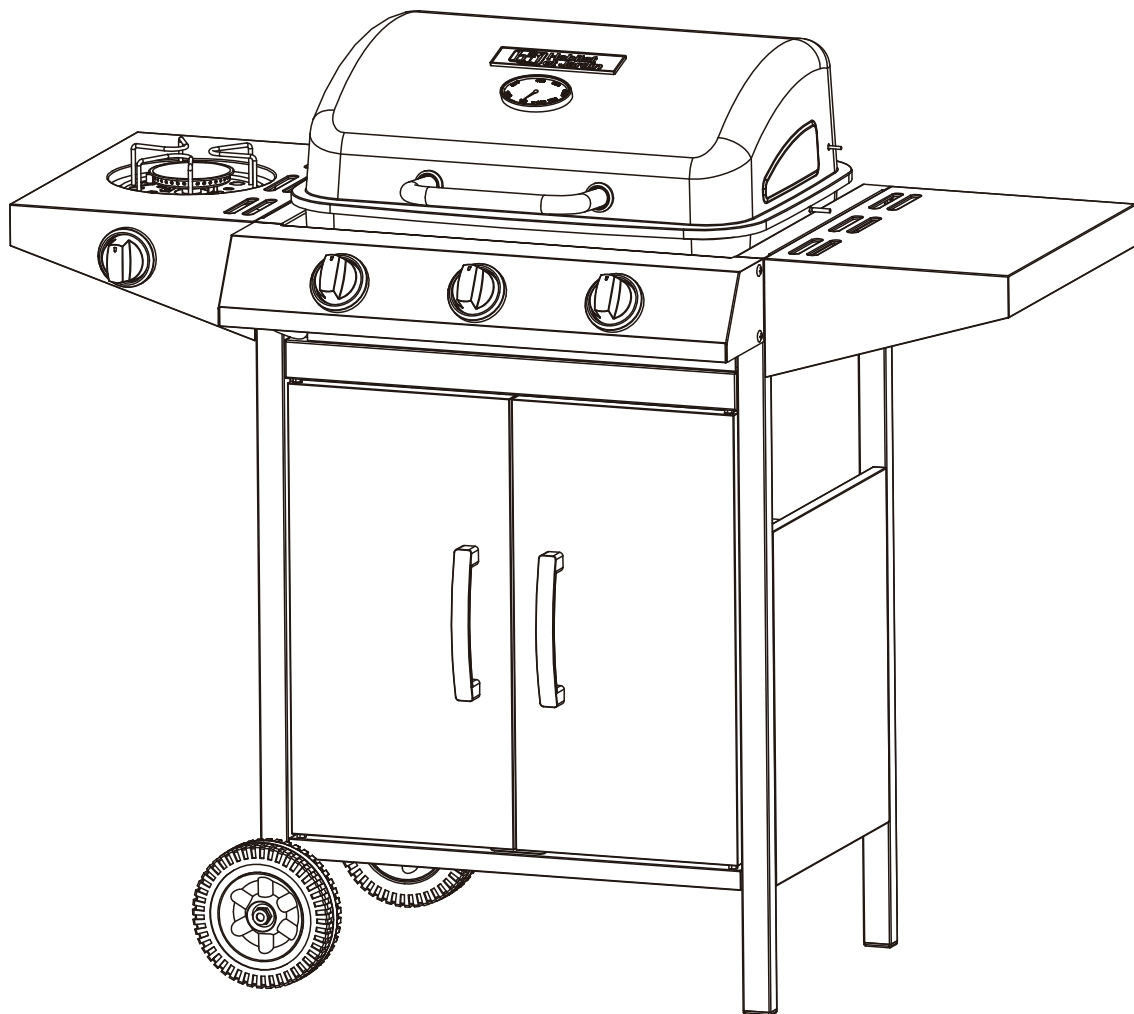
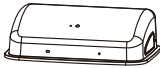


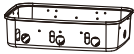



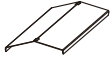

























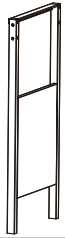


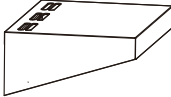




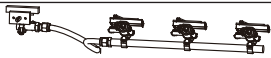

Festa 4

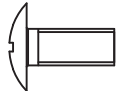
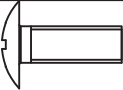
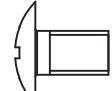
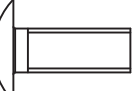

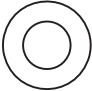
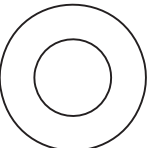
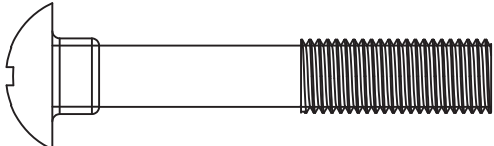



1351_100514




EN FR ES IT

1351_100514				
1		490*330*153mm	x1	1/1
2		358*228*8mm	x1	1/1
3		358*228*8mm	x1	1/1
4		510*362*313mm	x1	1/1
5		76*48*30mm	x1	1/1
6		216*90*19mm	x1	1/1
7		164*43*35mm	x2	1/1
8		320*83*17mm	x3	1/1
9		48*36*34mm	x2	1/1
10		365*25mm	x3	1/1
11		20*35*45mm	x2	1/1
12		400*26*20mm	x1	1/1
13		400*32*20mm	x1	1/1
14		510*191*12mm	x1	1/1
15		32*8mm	x2	1/1
16		39*11mm	x2	1/1
17		43*25mm	x1	1/1
18		168*75*87mm	x1	1/1
19		146*55mm	x1	1/1
20		365*267*125mm	x1	1/1
21		61*10mm	x4	1/1
22		48*35mm	x4	1/1
23		86*67mm	x1	1/1
24		79*45mm	x1	1/1

1351_100514				
25		731*365*30mm	x1	1/1
26		150*40mm	x2	1/1
27		470*242*20mm	x2	1/1
28		158*30*19mm	x2	1/1
29		60*50*20mm	x2	1/1
30		493*365*20mm	x1	1/1
31		30*20*15mm	x2	1/1
32		787*365*30mm	x1	1/1
33		85*27*20mm	x1	1/1
34		85*27*20mm	x1	1/1
35		365*267*125mm	x1	1/1
36		493*285*20mm	x1	1/1
37		493*40*20mm	x1	1/1
38		555*107*86mm	x1	1/1
39		22*10mm	x4	1/1
40		398*110*89mm	x1	1/1
41		552*82*33mm	x1	1/1

1351_100514				
AA		Φ5x12mm	x42	1/1
BB		Φ5x14mm	x2	1/1
CC		Φ6x10mm	x4	1/1
DD		Φ6x16mm	x4	1/1
EE		Φ5xΦ10x1mm	x8	1/1
FF		Φ6xΦ12x1mm	x4	1/1
GG		Φ10xΦ20x2mm	x2	1/1
HH		Φ10x65mm	x2	1/1
II		M10mm	x2	1/1
JJ		Φ4X10mm	x2	1/1
KK		M5mm	x6	1/1

DEALER	GEOCIDS S.A. 32 RUE DE PARADIS 75010 PARIS			
Product Name	Festa 4	Model No.	1351_100514 (SRGG31707)	
PIN Number	1984CU9001	ΣQn	10.5 kW (764 g/h)	
MainburnersΣQn:	7.2kW	Side burner	3.3kW	
Country	Category	Injector size (Main burner)	Injector size (Side burner)	Gas&Pressure
<input type="checkbox"/> AT <input type="checkbox"/> CH <input type="checkbox"/> DE <input type="checkbox"/> SK	I3B/P(50)	0.64 mm	0.79 mm	G30 Butane and G31 Propane at 50mbar
<input type="checkbox"/> CY <input type="checkbox"/> DK <input type="checkbox"/> EE <input type="checkbox"/> FR <input type="checkbox"/> FI <input type="checkbox"/> HU <input type="checkbox"/> IT <input type="checkbox"/> LT <input type="checkbox"/> NL <input type="checkbox"/> NO <input type="checkbox"/> SE <input type="checkbox"/> SI <input type="checkbox"/> SK <input type="checkbox"/> RO <input type="checkbox"/> HR <input type="checkbox"/> TR <input type="checkbox"/> BG <input type="checkbox"/> IS <input type="checkbox"/> LU <input type="checkbox"/> MT	I3B/P(30)	0.74 mm	0.90 mm	G30 Butane and G31 Propane at 30mbar
<input type="checkbox"/> BE <input type="checkbox"/> CH <input type="checkbox"/> CY <input type="checkbox"/> CZ <input type="checkbox"/> ES <input type="checkbox"/> FR <input type="checkbox"/> GB <input type="checkbox"/> GR <input type="checkbox"/> IE <input type="checkbox"/> IT <input type="checkbox"/> LT <input type="checkbox"/> LU <input type="checkbox"/> LV <input type="checkbox"/> PT <input type="checkbox"/> SK <input type="checkbox"/> SI	I3+(28-30/37)	0.74 mm	0.90 mm	G30 Butane at 28-30 mbar and G31Propane at 37mbar
<input type="checkbox"/> PL	I3B/P(37)	0.68 mm	0.84 mm	G30 Butane and G31 Propane at 37mbar
<p>CAUTION: USE OUTDOORS ONLY. If stored indoors, detach and leave cylinder outdoors. Read the instructions before using the appliance. Minimum clearance from side and back of unit to combustible construction:100cm.</p> <p>WARNING: Accessible parts maybe very hot. Keep young children away.</p>				
MADE IN PRC				

Before you start

WARNINGS

- Read the instructions before using the appliance. Follow the steps in the order they are specified and please observe the safety warnings.
- Failure to observe these instructions can affect or damage the device and other objects and lead to personal injury.
- These instructions are part of the product. They should always be stored with the product and should be passed on to each subsequent user.
- Great care has been taken during production to remove sharp edges but you should handle all components with care to avoid possible injury.
- If ever in doubt, consult a qualified gas engineer before use.
- As an extra precaution WHEN LIGHTING FOR THE FIRST TIME ALWAYS TAKE EXTRA CARE. Keep your head and arms from hanging over the BBQ cooking surface.
- ALWAYS make sure barbecue appliance is completely cool before applying covers.
- In construction of this BBQ use all and only the components provided. Do not modify BBQ or parts. Any modification of the appliance may be dangerous.



CAUTION!

- KEEP OUT OF REACH OF CHILDREN and PETS DURING and AFTER USE.
- Do not store or use petrol or other flammable vapor or liquids in the vicinity.
- This appliance will become very hot during operation - always wear suitably protective heat proof gloves during use.
- WARNING: Accessible parts may be very hot. Keep young children away.
- Turn off the gas supply at the gas cylinder after use.
- ALWAYS close and disconnect from main gas supply cylinder after use and for storage.
- DO NOT MOVE THE APPLIANCE DURING USE.

DANGER!

If you smell gas:

1. Shut off gas supply to appliance.
2. Extinguish any open flame, avoid using any electrical appliance.
3. Open lid and ventilate the area.
4. Check gas connections with soap solution.
5. If odor still exists, immediately contact your gas supplier or fire department.

✓Do's

KEEP THIS APPLIANCE CLEAN (follow instructions herein) - To help avoid fat flash fires/ flare ups and therefore possible injury or damage to property, it is vital that this appliance is clean before it used.

Stand your barbecue on a safe, level surface, well away from flammable items such as wooden fences or over-hanging tree branches.

Protect from the elements and damp.

An adult should always be in charge of the BBQ. NEVER leave a hot barbecue unattended.

Always make sure the barbecue is fully extinguished and completely cool before moving, applying covers (not included) OR storing away.

X Dont's

Do not use indoors - Use outdoors only.

CAUTION! NEVER STORE a barbecue indoors unless it is fully cooled and the gas supply cylinder is disconnected.

Do not use the BBQ on a surface that may be damaged by excessive heat.

This is a gas appliance. Do not use any other type of fuel/ accelerants or lava rock.

Further information

Proper use:

The barbecue is a gas barbecue for outdoor use. It is designed to be used exclusively in accordance with these instructions for preparing foods that are suitable for barbecue cooking. For private use only!

This appliance must be kept away from flammable materials during use.

Leak test all connections after each tank refilled or first use after a long period, by which the method is described in the "Connecting and disconnecting the gas bottle" part. This barbecue should be thoroughly cleaned and inspected on a regular basis, clean and inspect the hose before each use of the appliance. If there is evidence of abrasion, wear, cuts or leaks, the hose must be replaced prior to the appliance being operated.

Use only factory authorized parts. The use of any part that is not factory authorized is dangerous.

When cooking, fire extinguishing materials shall be readily accessible. In the event of an oil grease fire, do not attempt to extinguish with water. Use type B or type C dry chemical fire extinguisher or smother with dirt, sand or baking soda.

Operate on solid ground only, do not install or use in/on boats or recreational vehicles.

Always open barbecue lid carefully and slowly as heat and steam trapped within barbecue can severely burn you.

Move gas hoses as far away as possible from hot surface and dripping hot grease.

Keep all electrical cords away from a hot barbecue.

Turn off the gas supply at the gas cylinder after use.

When handling particularly hot components, protective gloves should be used.

Improper use:

Any other application or applications extending beyond the stated purpose are not authorised. This applies in particular to misuse involving the following possible scenarios:

- Do not operate the barbecue with coal or any fuel other than LPG.
- Do not operate the main barbecue as a stove using pots and pans.
- Do not operate the barbecue as a heater.
- Do not modify the appliance.
- Parts sealed by the manufacturer must not be altered by the user.

- Do not use the barbecue to heat materials and substances other than foods that are suitable for barbecuing.

The barbecue has been manufactured according to the general engineering rules – that were valid at the time manufacturing was started – and the requirement of the CE- sign. ~~The barbecue left the factory in good order and condition in terms of its function and safety.~~

- Never use an LP gas tank with damaged body, valve, collar, or footing.
- Do not store a spare LP gas tank under or near this appliance.
- The use of alcohol, prescription or non-prescription drugs may impair the ability to properly assemble or safely operate the appliance.

- Never use charcoal, lighter fluid, lava rocks, gasoline, kerosene, or alcohol within this product.
- Do not store or use gasoline or other flammable liquids or vapors within 25 feet (7.6m) from this appliance.
- Minimum clearance from sides and back of unit to combustible construction: 100cm. Do not use this appliance under overhead combustible surface.



During operation some parts of the barbecue can become very hot, particularly those close to the fire bowl.

Possible consequences:

- Severe burns from touching parts near the fire bowl.
- Fire or smouldering fire if flammable materials or substances are near the barbecue.

Safety measures prior to using the barbecue:

Select a place to set up the barbecue so that:

- There are not, and will not be, flammable material or substances nearby. Minimum distance to material or substances: No overhead obstruction above and 1m to the side. Distance to highly flammable materials or substances, e.g. walls: min. 1m.
- The barbecue is positioned firmly on a sufficiently large surface area. It must not be moved during operation.

Safety measures during barbecuing:

- Wear protective barbecue gloves.
 - Never leave the hot barbecue unattended.
- TAKE PARTICULAR CARE TO ENSURE THAT CHILDREN AND PETS ARE KEPT AWAY FROM THE BARBECUE.

- Never fit the gas bottle right to next the barbecue. Always place the gas bottle at the left hand rear of the appliance. The gas bottle should be sited as far away from the appliance as possible without straining the hose. No part of the hose should touch any part of the appliance.



Liquid gas is highly flammable and explosive.

Possible consequences:

- Serious personal injury or damage to property if escaping gas ignites in an environment in which it is not controlled.

Safety measures:

- Only use the barbecue outdoors and ensure that the area is well ventilated.
- Protect the gas bottle and the gas hose from direct sunlight and other heat sources (max. 50degree C). Take special care to ensure that the gas hose does not touch any part of the hot barbecue.
- DO NOT place the gas bottle on the lower shelf, as it is too near the burner.

- DO NOT lean over the barbecue when igniting the gas flame.
 - Close the valve on the gas bottle after each use: (Turn the valve clockwise). Also turn off the control knobs (Turn knob fully clockwise).
 - Never leave the hot barbecue unattended. If the flame extinguishes, relight immediately or cut off the supply from the gas bottle.
 - When connecting the gas bottle, ensure that there are no ignition sources within a 5m radius. Take special care not to light any naked flames, do not smoke or switch on electric appliances (devices, lights, doorbells) etc. sparkover possible.
 - Before each use, check to ensure that all connections through which gas is supplied are sealed and intact.
 - If necessary, ensure that you replace the hose to meet with national requirements. (Always use hose-clips to secure the hose to the regulator and BBQ).
- If the connections for the gas supply are porous or faulty, the barbecue must not be used. This also applies, for example, to hoses or fittings that may have become blocked, as this can lead to a dangerous flashback.



Liquid gas is heavier than oxygen. Therefore it settles on the ground and displaces the oxygen at that level.
Possible consequences:

- Suffocation resulting from a lack of oxygen if the gas concentration is allowed to rise sufficiently.

Do not use the barbecue unless it's completely assembled and all parts are securely fastened and tightened.

Do not leave a lit barbecue unattended, especially keep children and pets away from barbecue at all times.

Do not move the appliance during use.

Never cover the entire cooking area.

Never obstruct the ventilation openings of the cylinder compartment.

Do not use power tools to construct this product.

Do not over tighten screws or bolts.

Do not sit or stand on the product.

Do not use this product if parts are missing, damaged or worn.

Never use scourers, abrasive or chemical cleaners.

Assembly

Please read these instructions carefully before assembly and use.

Caution: Whilst every effort has made in manufacture of your barbecue to remove any sharp edge, you should handle all components with care to avoid accidental injury.

Please use protective gloves when assembling this product.

Assembly of the barbecue involves many large components; it is advisable to have two people assemble the unit.

When you are ready to start, make sure that you have the right tools, plenty of space and a clean, dry area for assembly.

To avoid losing any small component or hardware, assemble your product on a hard level surface that does not have cracks or openings.

To avoid damage to soft floor or carpet, do not assemble or move the appliance on soft floor or carpet.

Check the pack and make sure you have all the parts listed.

Please refer to the parts list and assembly diagram as necessary. During assembly children should be kept away from the product due to possible risk of injury.

Make sure all the plastic protection rip off before assembling.

Follow all steps in order to properly assemble your product.

Do not force parts together as this can result in personal injury or damage to the product.

When applicable, tighten all hardware connections by hand first, once the step is completed, go back and full tighten all hardware.

Ensure that this product is fully assembled as illustrated before use.

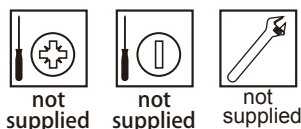
Number of people required to assemble

Two people to assemble and lift.

Time to assemble



Tools required



Connecting and disconnecting the gas bottle

Parts and tools needed

- Gas bottle - Standard LPG gas bottle with equal or less than 5kg to 13kg LPG (e.g. propane or butane). These are available at DIY store or liquid gas suppliers.

The following parts are excluded in delivery. They correspond to the standards applicable in the country to which they have been supplied.

- The hose shall be approved according to EN16436-1:2014 with sufficient length, allowing installation without any kinks (Length shall not exceed 1.5m). The hose shall be readily visible across its entire length for inspection after installation.
- Pressure reducer – Preset and CE-approved pressure Regulator, operating pressure suitable for the utilized gas cylinder. This type of pressure reducer is also available from your local dealer.
- Gas regulator should be approved according to EN 16129:2013 with proper capacity (g/h), pressure, working temperature and inlet + outlet connection for the country of destination.



DANGER! IGNITION OF ESCAPING GAS

Liquid gas is highly flammable and explosive.

Possible consequences:

- Serious personal injury or damage to property if escaping gas ignites in the environment which it is not controlled.

Safety measures:

- When connecting the gas bottle, ensure that there are no ignition sources within a 5m radius.
- Take special care not to light any naked flames, do not smoke or switch on electric appliances (devices, lights, doorbells) etc. sparkover possible.
- If necessary, ensure that you replace the hose to meet with national requirements.
- Ensure the flexible tubing is routed so that there are no kinks and it is not subject to twisting.
- Do not obstruct the ventilation openings of the cylinder compartment.

Operational Elements:

POSITION	DESCRIPTION	FUNCTION
G1	Regulator	Reduce gas pressure
G2	Operating lever/ Cylinder valve	Separate safety facility with 2 settings: 9 o'clock setting or rotate clockwise to the end: Turn the gas off and connect/disconnect the gas bottle. 12 o'clock setting or rotate anti-clockwise to the end: Gas on
G3	Release button	Disconnect the regulator from the bottle valve
G4	Gas bottle with bottle valve	Fuel container
G5	Gas hose with hose clip	Direct gas to burner



LIGHTING INSTRUCTIONS:

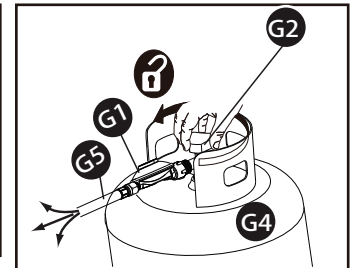
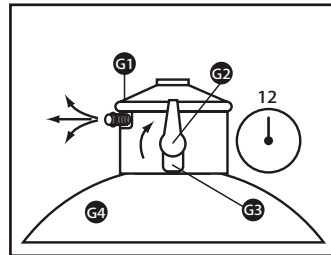
1. READ OPERATING INSTRUCTIONS BEFORE LIGHTING.
2. OPEN LID.
3. ENSURE KNOBS ARE IN "●" POSITION.
4. CONNECT REGULATOR WITH CYLINDER, THEN TURN ON.
5. PUSH AND TURN CONTROL KNOB ANTI-CLOCKWISE TO APPROX 1/4 POSITION UNTIL A CLICK IS HEARD AND BURNERS LIT.
6. ADJUST THE FLAME BETWEEN 1/4 TO 1/2 AREAS.

WARNING

OUTDOOR USE ONLY. IF IGNITION DOES NOT OCCUR WITHIN 5 SECONDS, TURN CONTROL KNOB(S) TO "●". WAIT 5 MINUTES TO ALLOW GAS TO DISSIPATE AND REPEAT LIGHTING PROCEDURE. ACCESSIBLE PARTS MAY BE VERY HOT, KEEP YOUNG CHILDREN AWAY. DISCONNECT REGULATOR FROM CYLINDER WHEN THIS APPLIANCE NOT USE IN A LONG TIME.

WARNING:

LID MUST BE OPEN WHEN BURNER IS ON OR HOT.
MAXIMUM WEIGHT ON SIDE SHELF: 6.8 KG / 15 LB

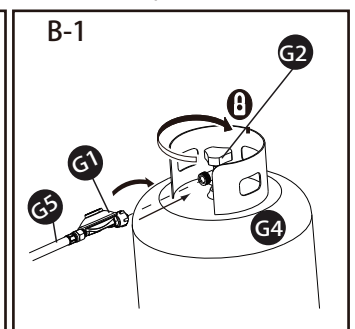
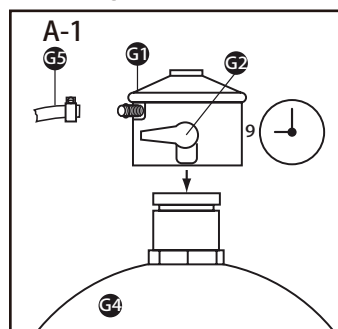


Function

- If the bottle valve (G2 at 12 o'clock setting or anti-clockwise rotate to the end) and the control knob are opened, gas flows through the gas hose G5 and the setting device (beneath the front panel) into the burner.
- While reaching 1/4 position of each control knob, a spark will be emitted from the electrode on the burner that then ignites the gas. The heat output can be adjusted for the left, middle, right and side burner by turning the control knob position 1/4 to 1/2.

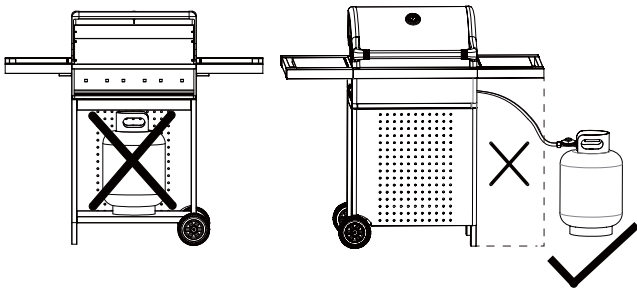
Note

- If the barbecue is not in use for long periods, cut off the supply from the gas bottle and store properly. Disconnect the regulator from the gas bottle. The gas bottle must be stored outdoors.
- Fit the gas bottle with a cap nut and safety cap.



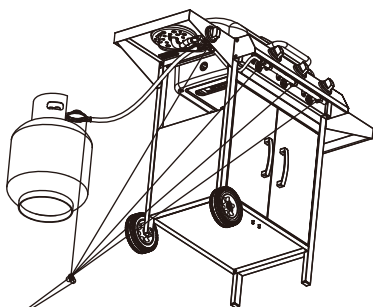
Connecting and disconnecting the gas bottle

- 1 Select a suitable position to set up the barbecue. Ensure that:
 - They are not, and will not be, flammable materials or substances nearby. Minimum distance to materials or substances: 2m above and 1m to the side; distance to flammable materials or substances - min 7.6m.
2. Position the gas bottle G4 next to the barbecue. Never lay the gas bottle on its side or place on the lower shelf. The gas hose G5 must not be bent or be under tension.



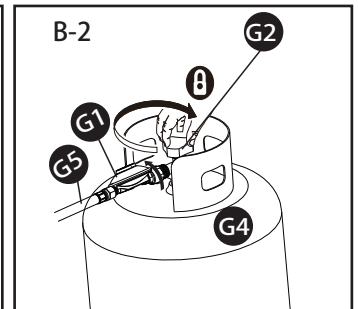
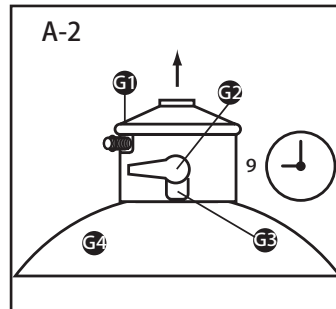
3. Check that the gas bottle G4 and the regulator G1 are in good working order. Also check that there is an intact seal in the regulator G1. Do not use any other seals.
4. Turn the operating lever G2 to the 9 o'clock position and press the regulator G1 on the valve of the gas bottle G4 until you hear a click.
5. Check they are correctly connected by pulling the regulator G1 upwards. The regulator must not disconnect from the bottle valve.
6. Check the connection between the regulator G1 and the gas hose G5 and the gas hose G5 to the valve to ensure they are secure.
7. Open the bottle's valve by turning the operating lever G2 to the 12 o'clock position. Use a standard leak detector to ensure all connections are tight. Failure to do so may result in fire. Please observe the instructions for the leak indicator. Never check for leaks if there is an open flame. Listening for leaks is not a reliable method of detection.

Confirm all barbecue control knobs are in the off "•" position. Open the gas control valve on gas cylinder. Check for leaks by brushing soap solution over all gas system joints, including all valve connections, hose connections and regulator connections. NEVER USE AN OPEN FLAME to test for leaks at anytime. If bubbles form out of any of the tank there is a leak. If the connection is not sealed, immediately close the bottle valve (turn the operating level G2 to the 9 o'clock position) and tighten the connection or replace the leaking part. Repeat the leak test annually, and whenever the gas cylinder is repaired or replenished.



Shutting off the gas bottle (Fig.2-A, 2-B)

1. Close the bottle valve (Turn the operating lever G2 to the 9 o'clock position).
2. Press the release button G3 and pull the regulator G1 upwards. Or anti-clockwise rotate the nut on regulator G1 to release the regulator G1.
3. Store the regulator G1 with the gas hose under the barbecue. Ensure the hose is not kinked or twisted in any way.
4. Store the gas bottle correctly:
 - Fit the gas bottle valve with cap nut and safety cap.
 - Do not store the gas bottle in areas below ground level, or in or near stairways, hallways or passages for pedestrians or cars between buildings. Always store gas bottle outside.
 - Always store gas bottles upright, even if they are empty!



Operation

Warnings

Before proceeding, make certain that you have assembled the appliance according to instructions.
Use your Barbecue at least 100cm away from any wall or surface.
Never use your gas barbecue in a building, garage, shed, breezeway, or any other enclosed area.
Never obstruct the flow of ventilation air around your gas barbecue housing.

Before lighting

Inspect the gas supply hose prior to turning the gas "ON" . If there is evidence of cuts, wear or abrasion, it must be replaced prior to use. Check leakage before use. Do not use the barbecue if the odor of gas is present.

Preparation before cooking

To prevent foods from sticking to the cooking grill, please use a long handled brush to apply a light coat of cooking or vegetable oil before each barbecuing session. (Note: When cooking for the first time, coating color may change slightly as a result, this is normal and should be expected.)

Lighting the barbecue:

1. Read the instructions before using the appliance.
2. Open lid.
3. Ensure knobs are in "●" position.
4. Connect regulator with cylinder, then turn on.
5. Push and turn control knob anti-clockwise to approx 1/4 position until a click is heard and burner is lit.
6. Adjust the flame between 1/4 to 1/2 areas.
7. If ignition dose not occur within 5 seconds, turn control knob(s) to "●" . Wait 5 minutes to allow gas to dissipate and repeat lighting procedure.
8. Turn off the gas supply at the gas cylinder after use.

Switching on the side burner:

Repeat the step starting from step 2 above, but using the control knob for side burner.

Match-Lighting

If the burner still fails to light after several attempts, try the manual ignition procedure below.

- 1, Open BBQ hood.
- 2, Ensure all the burners control knobs are in the "●" position.
- 3, Slowly turn on the gas at the LP gas cylinder valve or regulator if it is not already on.
- 4, Place a match in the Match Holder
- 5, Use the holder to slide the lit match though the cooking grates or cooking griddle and the front of the heat tent to the left of the burner you wish to light.
- 6, Press and turn the burner control knob to 1/2 position.
- 7, If the burner does not light within 5 seconds, turn the burner control knob to "●" , wait 5 minutes for gas to clear, and try again.
- 8, When lit, turn the control knob to the desired heat setting.

It is recommended to use a pot or pan with size of 180-260mm for Side Burner.

End of cooking session

After each cooking session, turn the barbecue control knob burners to the "Max" position and burn for 5 minutes. This procedure will burn off cooking residue, thus making cleaning easier. Make sure the hood is open during this process. When you have finished using your barbecue, turn all the control valves fully clockwise to the OFF "●" position, then switch off the gas at the bottle. Wait until the barbecue is sufficiently cool before closing its hood.

Tips for better cookouts and longer barbecue life

- 1, Use the upper cooking grid (warming rack) for keeping cooked food warm, toasting breads or cooking delicate foods in aluminum foil pouches.
- 2, Use the side burner of this appliance like a normal kitchen range for boiling, saut é ing or frying.
- 3, To reduce flare-up, keep barbecue clean, use lean cuts of meat and avoid cooking on very high temperature.
- 4, Place delicate foods like fish and vegetables in aluminum foil pouches and indirect cook or place on upper cooking levels (warming rack).
- 5, To avoid losing natural juice, use long handled tongs or spatulas instead of forks and turn foods over just once during cooking.
- 6, When direct cooking adjust your burners to different levels so foods can be prepared to different internal temperatures in the same time frame.
- 7, Try water pans to reduce flare-ups and cook juicer meats. Before starting barbecue remove cooking grids and place a heavy duty shallow pan directly on heat plates. Fill half way with water, fruit juices or other flavored liquids. Replace cooking grids and position food over the loaded pan.
- 8, Rotisseries, grill baskets, vertical poultry holders and other accessories can enhance your experiences, reduce cooking time and aid in clean-up.
- 9, Clean cooking grids and racks after every use with a quality grill brush designed for your grid material. Wear protective gloves and gently remove the build-up while grids are hot.
- 10, After every use, allow barbecue to cool down. Then protect clean cooking grids with a light coat of cooking oil, empty grease pan, wipe outside surfaces with a suitable kitchen cleaner and protect surfaces with a quality cover that properly fits your barbecue.

Cleaning and maintenance

Regularly clean your barbecue between uses and especially after extended periods of storage.

Ensure the barbecue and its components are sufficiently cool before cleaning.

Never douse the barbecue with water when its surfaces are hot. Never handle hot parts with unprotected hands.

In order to extend the life and maintain the condition of your barbecue, we strongly recommend that the unit be covered when left outside for any length of time, especially during the winter months.

1. Cooking Grill

Clean with hot soapy water. To remove any food residue, use a mild cream cleaner on a non-abrasive pad. Rinse well and dry thoroughly.

2. Burner Maintenance

In normal usage, burning off the residue after cooking will keep the burner clean. The burner should be removed and cleaned annually, or whenever heavy build-up is found, to ensure that there are no signs of blockage (debris, insects) in either the burner portholes or the venturi tubes. Use a pipe cleaner to clear obstructions. A wire brush can be used to remove corrosion from the burner surfaces.

When refitting the burner, be careful to check that the venturi tubes of the burner fit over the valve outlets.

The electrode on the burner can be bent or may snap off during cleaning.

Possible consequences:

- Burner no longer light.

Safety measures:

- Take special care when cleaning the area around the burner

3. Barbecue Body

Regularly remove excess grease or fat from the barbecue body with a soft plastic or wooden scraper.

It is not necessary to remove all the grease from the body. If you need to clean fully, use hot soapy water and a cloth, or nylon-bristled brush only. Remove cooking surfaces and burners before full cleaning. Do not immerse the gas controls or manifold in water. Check burner operation after carefully refitting into body.

4. Fixings

Annual checking and tightening of metal fixings is recommended.

5. Storage

Store your barbecue in a cool dry place. Cover the burners with aluminum foil in order to prevent insects or other debris from collecting in burner holes. If the barbecue is to be stored indoors, the gas cylinder must be disconnected and left outside.

The gas cylinder should always be stored outside, in a dry, well-ventilated area, away from any sources of heat or ignition. Do not let children near the gas cylinder.

Environment information and disposal measures


- To dispose of the barbecue, disassemble it into its individual parts. Recycle the metal and plastic parts.



CAUTION!
ELECTRODE ON BURNER CAN BE BENT

Troubleshooting

PROBLEM	POSSIBLE CAUSE	PREVENTION/CURE
Burner will not light using igniter	Wires or Electrode covered with cooking residue	Clean wire and/or electrode with rubbing alcohol
	Electrode and burners are wet	Wipe dry with cloth
	Electrode cracked or broken – sparks at crack	Replace electrode
	Wire loose or disconnected	Reconnect wire or replace electrode/wire assembly
	Wire is shorting (Sparking between igniter and electrode)	Replace igniter wire/electrode assembly
Burner will not light with match	No gas flow	Check if LP gas cylinder is empty. If empty, replace or refill, or else refer to “sudden drop in gas flow or reduced flame height”
	Coupling nut and regulator not fully connected	Turning the coupling nut about one-half to three quarters additional turn until solid stop. Tighten by hand only, Do not use tools.
	Obstruction of gas flow	Clear burner tubes, check for bent or kinked hose.
	Spider webs or insect nest in venturi	Clean venturi
	Burner ports clogged or blocked	Clean burner ports
Sudden drop in gas flow or reduced flame height	Out of gas	Replace or refill LP gas cylinder
	Excess flow, safety device may have been activated	Turn control knobs to OFF “●”, wait 30 seconds and light barbecue. If flames are still too low, reset the excessive flow safety device by turning control knobs OFF “●” and LP gas cylinder valve to “CLOSED” Disconnect regulator. Turn control knobs to “HIGH”, wait 1 minute. Then turn control knobs to OFF “●”, and reconnect regulator and leak check connections. Slowly turn LP gas cylinder valve to “OPEN”, wait 30 seconds and then light barbecue per lighting instructions.
Irregular flame pattern, flame does not run the full length or burner	Burner ports are clogged or blocked	Clean burner ports.
Flame is yellow or orange	New burner may have residual manufacturing oils	Burn barbecue for 15 minutes with the lid closed
	Spider webs or insect nest in venturi	Clean venturi
	Food residue, grease or seasoning salt on burner	Clean burner
	Poor alignment of valve to injector venturi	Assure burner venturi is properly engaged with injector
Flame blow out	High or gusting winds	Do not use barbecue in high winds
	Low on LP Gas	Replace or refill LP gas cylinder
	Excess flow valve tripped	Reignite the BBQ
Persistent grease fire	Grease trapped by food buildup around burner system	Turn control knobs to OFF “●”, Turn LP gas tank valve to “CLOSED”. Leave lid in open position and let fire burn out. After barbecue cools, remove and clean all parts
Flashback (fire in burner tube(s))	Burner and/or burner tubes are blocked	Clean burner and/or burner tubes
Inside of lid is peeling (like paint peeling)	The lid is stainless steel, not painted	Baked on grease buildup has turned to carbon and is flaking off. Clean thoroughly.

RESPONSIBLE MIS AU MARCHÉ	GEOCIDS S.A. 32 RUE DE PARADIS 75010 PARIS		 0063-19	
Dénomination commerciale	Festa 4	Référence	1351_100514 (SRGG31707)	
Code PIN	1984CU9001	ΣQn	10.5 kW (764 g/h)	
Brûleurs principaux	7.2kW	Brûleur latéral	3.3kW	
Pays	Catégorie	Taille Injecteur (Brûleur principal)	Taille Injecteur (Brûleur latéral)	Gaz&Pression
<input type="checkbox"/> AT <input type="checkbox"/> CH <input type="checkbox"/> DE <input type="checkbox"/> SK	I3B/P(50)	0.64 mm	0.79 mm	G30 Butane et G31 Propane à 50 mbar
<input type="checkbox"/> CY <input type="checkbox"/> DK <input type="checkbox"/> EE <input type="checkbox"/> FR <input type="checkbox"/> FI <input type="checkbox"/> HU <input type="checkbox"/> IT <input type="checkbox"/> LT <input type="checkbox"/> NL <input type="checkbox"/> NO <input type="checkbox"/> SE <input type="checkbox"/> SI <input type="checkbox"/> SK <input type="checkbox"/> RO <input type="checkbox"/> HR <input type="checkbox"/> TR <input type="checkbox"/> BG <input type="checkbox"/> IS <input type="checkbox"/> LU <input type="checkbox"/> MT	I3B/P(30)	0.74 mm	0.90 mm	G30 Butane et G31 Propane à 30 mbar
<input type="checkbox"/> BE <input type="checkbox"/> CH <input type="checkbox"/> CY <input type="checkbox"/> CZ <input type="checkbox"/> ES <input type="checkbox"/> FR <input type="checkbox"/> GB <input type="checkbox"/> GR <input type="checkbox"/> IE <input type="checkbox"/> IT <input type="checkbox"/> LT <input type="checkbox"/> LU <input type="checkbox"/> LV <input type="checkbox"/> PT <input type="checkbox"/> SK <input type="checkbox"/> SI	I3+(28-30/37)	0.74 mm	0.90 mm	G30 Butane à 28-30 mbar et G31 Propane à 37mbar
<input type="checkbox"/> PL	I3B/P(37)	0.68 mm	0.84 mm	G30 Butane et G31 Propane à 37 mbar
<p>ATTENTION: Utiliser seulement en extérieur. S'il est conservé à l'intérieur, détacher et laisser la bombonne à l'extérieur. Lire le mode d'emploi avant d'utiliser l'appareil. Espace minimum libre requis de chaque côté et derrière de l'appareil: 100cm Danger: Des parties accessibles peuvent être brûlantes. Tenir les enfants hors de portée.</p>				
FABRIQUE EN PRC				

Avant de commencer

ATTENTION

- Lisez les instructions avant d'utiliser le produit. Suivez les étapes dans l'ordre qu'elles sont indiquées, et veuillez examiner avant tout, les mesures de sécurité.
- Le non-respect des instructions peut endommager l'appareil ou d'autres objets et même vous blesser personnellement.
- Ces instructions sont une partie du produit. Elles doivent tout le temps être stockées avec l'appareil, et doivent être lues par chaque utilisateur du produit.
- Un grand soin a été appliqué pour retirer les bouts tranchants, mais vous devez quand même faire très attention à ne pas vous blesser.
- En cas de doute, consultez un ingénieur qualifié en gaz avant utilisation.
- En précaution extrême, QUAND VOUS L'ALLUMEZ POUR LA PREMIERE FOIS, FAITES TRES ATTENTION. Gardez votre tête et vos mains à l'abri de la surface de cuisine du barbecue.
- TOUJOURS s'assurer que le barbecue est complètement froid avant d'utiliser la bûche.
- Dans le montage de ce barbecue, n'utilisez uniquement que les pièces fournies. Ne modifiez pas le barbecue ou une quelconque partie. Toute modification de l'appareil peut-être dangereuse.



**NE L'UTILISEZ PAS EN INTERIEUR,
UTILISEZ-LE EN EXTERIEUR UNIQUEMENT**

PRUDENCE !

- Laissez l'appareil hors de portée des enfants et des animaux, durant et après avoir utilisé l'appareil
- Ne stockez pas de pétrole ou de vapeurs/liquides inflammables dans la cuve du barbecue.
- Cet appareil devient très chaud durant l'utilisation – portez toujours convenablement des vêtements contre la chaleur durant l'utilisation.
- ATTENTION : les parties accessibles du barbecue peuvent être très chaudes, éloignez les enfants de l'appareil.
- Eteignez l'arrivée de gaz sur la bouteille de gaz une fois l'utilisation terminée.
- TOUJOURS fermer et déconnecter l'appareil de l'arrivée de gaz après son utilisation pour stockage.
- NE DEPLACEZ PAS L'APPAREIL DURANT UTILISATION

DANGER !

Si vous sentez le gaz :

1. Eteignez l'arrivée de gaz de l'appareil
2. Eteignez toutes les arrivées de flammes et évitez d'utiliser tout appareil électrique.
3. Ouvrez le couvercle et aérez la pièce
4. Vérifiez toutes les connexions de gaz avec une solution savonneuse.
5. Si l'odeur persiste toujours, contactez immédiatement votre fournisseur de gaz ou les pompiers.

A FAIRE

- Gardez l'appareil au propre (suivez les instructions du manuel)
– Pour éviter d'avoir de grandes flammes, ce qui pourrait vous blesser ou endommager votre propriété, il est vital que l'appareil soit propre avant utilisation.
- Tenez votre appareil dans un lieu sûr, sur une surface plane, bien loin de toute source inflammable comme des clôtures en bois ou les branches d'un arbre quelconque.
- Protégez-le de l'humidité.
- Un adulte doit toujours être responsable du barbecue. Ne jamais laisser un barbecue chaud sans surveillance.
- Toujours être sûr que le barbecue est complètement éteint et vidé d'un quelconque gaz, et froid avant de le déplacer. Couvrez-le avec des bâches (non incluses) ou entreposez-le à l'abri des changements de climats.

A NE PAS FAIRE

- Ne l'utilisez pas en intérieur, utilisez-le en extérieur uniquement.
- ATTENTION ! NE JAMAIS STOCKER le barbecue en intérieur avant qu'il ne soit complètement froid et l'arrivée de gaz déconnectée.
- Ne positionnez pas le barbecue sur une surface pouvant être endommagée par la chaleur.
- C'est un appareil à gaz, n'utilisez aucun autre type de fuel, alcool à brûler ou cube blanc allume feu.

Plus d'informations

Pour une bonne utilisation :

Ce barbecue est un appareil à gaz pour une utilisation extérieure. Il est désigné pour être utilisé exclusivement en accord avec ces instructions pour préparer des aliments qui sont compatibles avec une cuisson sur barbecue. Pour un usage privé uniquement !

Cet appareil doit être éloigné au maximum d'un quelconque produit inflammable durant son utilisation.

Faites des tests de fuite sur chaque réservoir après chaque utilisation, ou après une première utilisation après une longue période de non utilisation, grâce à la méthode décrite dans la partie « Connecter et déconnecter la bouteille de gaz ». Ce barbecue doit être complètement nettoyé et inspecté régulièrement, nettoyez et inspectez régulièrement le tuyau avant chaque utilisation du produit. S'il y a une évidence d'usure par frottement ou autre, évidence de coupure ou de fuite, le tuyau doit être remplacé avant utilisation de l'appareil.

N'utilisez uniquement que les pièces autorisées pour le produit. L'utilisation de n'importe quelle pièce n'étant pas fournie avec le produit est dangereux.

Quand vous cuisinez, des matériaux d'extinction du feu doivent être directement accessibles. Dans le cas de présence de graisse d'huile enflammée, ne tentez pas de l'éteindre avec de l'eau. En cas de grandes flammes, utilisez des extincteurs de type B ou C, ou du bicarbonate de soude.

Installez et utilisez l'appareil sur la terre ferme, n'installez ou n'utilisez jamais le barbecue sur un bateau ou sur une voiture. Ouvrez toujours le couvercle du barbecue, doucement et avec attention car la chaleur et le gaz peuvent y être emprisonnés et vous brûler sévèrement.

Déplacez le tuyau de gaz aussi loin que vous le pouvez d'une surface chaude et couverte de graisse chaude.

Gardez tous les câbles électriques loin du barbecue chaud.

Eteignez l'arrivée de gaz de la bouteille de gaz après utilisation.

Quand vous manipulez des éléments très chauds, utilisez des gants.

Utilisation incorrecte :

Tout autre utilisation ou application s'étendant au-delà du produit est non autorisée. Cela vaut en particulier pour l'utilisation abusive du produit, impliquant les possibles scénarios suivant :

- N'utilisez pas le barbecue avec du charbon ou tout autre fuel autre que le GPL
- N'utilisez pas le barbecue comme une plaque en utilisant des poêles et des casseroles.
- N'utilisez pas le barbecue comme un chauffage.
- Ne modifiez pas le produit
- Les parties scellées par le fabricant ne doivent pas être altérées par l'utilisateur.
- N'utilisez pas le barbecue pour chauffer du matériel ou des substances autres que les aliments qui sont disposés à être chauffés sur le barbecue.

Le barbecue a été construit en respectant des règles d'ingénieries – qu'elles furent validées au moment de la fabrication du produit – et la nécessité du signe CE. ~~Le barbecue a quitté l'usine en bon état et en bonnes conditions en termes de fonctions et de sécurité.~~

- Ne jamais utiliser un réservoir de gaz propane endommagé d'une quelconque manière.
- Ne pas stocker un réservoir de propane sous ou proche du produit.
- La prise d'alcool, ou de médicaments, prescrits ou non, peut altérer l'habilité à assembler correctement et en sécurité le produit.

- N'utilisez jamais de charbon, d'alcool ou de liquide à brûler, des pierres de lave, de kérosène, de l'essence ou un quelconque produit avec cet appareil.
- Ne stockez ou n'utilisez pas, d'essence, ou d'autres liquides/vapeurs inflammables sans une distance de sécurité (7 mètres) du produit.
- Gardez cet appareil à une certaine distance de toute structure combustible (1 à 2 mètres). N'utilisez pas cet appareil sous une surface combustible



PRUDENCE ! SURFACE PRINCIPALE ET ANNEXES CHAUDES

Pendant l'opération, certaines parties du barbecue peuvent devenir très chaudes, particulièrement celles proches des flammes.

Conséquences possibles :

- De sévères brûlures en touchant les parties proches des flammes.
- Des substances ou matériaux inflammables proches du barbecue peuvent s'enflammer s'ils sont proches du barbecue.

Mesures de sécurité avant utilisation du barbecue :

Choisissez un endroit pour installer le barbecue, il faut :

- Qu'il n'y ait pas, dans le présent et le futur, des matériaux ou des substances inflammables à proximité. Une certaine distance entre ces matériaux ou substances et le barbecue : Pas de plafond juste au-dessus, et pas de murs ou autre paroi à moins de 1 mètre de distance.
- Le barbecue doit être positionné solidement sur une large surface. Il ne doit pas être déplacé durant son utilisation.

Mesure de sécurité durant l'utilisation :

- Portez des gants de protection
 - Ne laissez jamais le barbecue chaud sans attention
- AYEZ UNE ATTENTION PARTICULIERE POUR VOUS ASSURER QUE LES ENFANTS ET LES ANIMAUX RESTENT LOIN DU BARBECUE.**
- Ne jamais positionner la bouteille de gaz juste à côté du barbecue. Toujours positionner la bouteille de gaz sur le côté arrière gauche du produit. La bouteille de gaz doit être le plus loin possible du barbecue, tout en évitant d'étirer le tuyau. Aucune partie du tuyau ne doit toucher aucune partie du produit.



PRUDENCE ! LE GAZ EST HAUTEMENT INFLAMMABLE

Le gaz est hautement inflammable et explosif.

Conséquences possibles :

- De sérieuses blessures, ou endommagement de la propriété si du gaz s'échappe et s'enflamme, dans un environnement non contrôlé.

Mesures de sécurité :

- N'utilisez le barbecue qu'en extérieur et assurez-vous que l'emplacement est bien aéré.
- Protégez la bouteille et le tuyau de gaz d'une exposition directe du soleil et d'autres sources chaudes (maximum 50°C). Assurez-vous que le tuyau de gaz ne touche aucune partie chaude du barbecue.
- Ne placez pas la bouteille de gaz sur une étagère basse, surtout si c'est proche du brûleur.

- NE PAS vous pencher sur le barbecue quand vous allumez la flamme.
- Fermez la valve de la bouteille de gaz après chaque utilisation : (tournez la valve dans le sens des aiguilles d'une montre).
Aussi, fermez les manettes de gaz (tournez les manettes dans le sens des aiguilles d'une montre au maximum)
- Ne laissez jamais le barbecue chaud sans attention. Si la flamme s'éteint, rallumez-la immédiatement ou coupez l'arrivée de gaz de la bouteille.
- Quand vous connectez la bouteille de gaz, assurez-vous qu'il n'y a pas de sources d'allumage dans un rayon de 5 mètres. Faites très attention à ne pas allumer aucune flamme, ne fumez pas et n'allumez pas d'appareils électriques (appareils, lumières) etc. un éclatement est possible.
- Avant chaque utilisation, assurez-vous que toutes les connexions où le gaz passe sont scellées et intactes.
- Si c'est nécessaire, assurez-vous de remplacer le tuyau de manière à répondre aux exigences nationales. (Utilisez toujours des colliers de serrage pour sécuriser le tuyau au régulateur et au barbecue).

Si les connexions de gaz sont poreuses et défectueuses, le barbecue ne doit pas être utilisé. Cela s'applique également, par exemple, aux tuyaux ou aux raccords qui se sont peut-être bloqués, cela peut conduire à un gros risque de blessure dangereuse.



Le gaz est plus lourd que l'oxygène. Donc, le gaz reste au sol et déplace l'oxygène en hauteur.

Conséquences possibles :

- Suffocation résultant d'un manque d'oxygène, si la concentration de gaz est importante.

N'utilisez pas le barbecue tant qu'il n'est pas complètement monté et que toutes les parties sont attachées et serrées avec sécurité.

Ne laissez jamais un barbecue allumé sans attention, gardez spécialement les enfants et les animaux loin du barbecue tout le temps.

Ne bougez pas le barbecue pendant son utilisation.

Ne couvrez jamais complètement toute la zone de cuisson.

Ne jamais obstruer l'ouverture de la ventilation du compartiment cylindrique.

N'utilisez pas d'outils électroportatifs pour construire ce produit.

Ne sur-serrez pas les vis ou les boulons.

Ne vous asseyez pas ou ne vous tendez pas debout sur le produit.

N'utilisez pas ce produit si des parties sont manquantes, endommagées, ou fausses.

Ne jamais utilisez d'éponges, d'abrasifs, ou de nettoyeurs chimiques.

Assemblage

Veillez lire ces instructions avec attention avant d'assembler et d'utiliser le matériel.

Prudence : Malgré le fait que tous les efforts ont été fait pour retirer tous les côtés coupants, vous devez manipuler tous les composants avec attention pour éviter un accident quelconque.

Veillez utiliser des gants de protection quand vous montez le produit.

Assembler le barbecue implique une large gamme de composants ; il est conseillé d'être à plusieurs pour assembler le produit.

Quand vous êtes prêt à commencer, assurez-vous d'avoir les bons outils, beaucoup d'espace, et une pièce sèche et propre.

Pour éviter de perdre tout composant aussi petit soit-il, assemblez le produit dans un grand espace qui ne contient pas de fissures ou d'ouvertures.

Pour éviter d'endommager le sol ou un tapis lors de l'assemblage, assemblez le produit sur un sol ne s'abîmant pas.

Vérifier le paquet pour être sûr que vous ayez toutes les pièces et parties énoncées.

Veillez-vous référer aussi souvent que vous en aurez besoin à la liste des pièces et aux instructions de montage.

Durant l'assemblage, les enfants doivent être éloignés le plus possible du produit, pour éviter tout risque de blessure.

Assurez-vous que tout le plastique de protection soit retiré avant l'assemblage.

Suivez toutes les étapes dans l'ordre pour assembler correctement votre produit.

Ne forcez pas l'assemblage de certaines pièces au risque d'une blessure personnelle ou au risque d'endommager le produit.

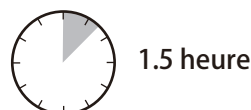
Le cas échéant, serrer toutes les connexions du matériel à la main, une fois cette étape passée, revenez en arrière et serrez complètement tout le matériel.

Assurez-vous que ce produit est bien assemblé comme illustré avant utilisation.

Nombre de personnes requises pour le montage

Deux personnes pour l'assembler et le transporter.

Temps d'assemblage



Outils requis



Non
fourni



Non
fourni



Non
fourni

Connectez et déconnectez la bouteille de gaz

Objets et outils requis

- Une bouteille de gaz – Une bouteille de GPL standard avec une dose de 5 à 13kg de (propane ou butane). Ce gaz est disponible dans des magasins de bricolage ou chez un fournisseur de gaz. Les parties suivantes ne sont pas incluses dans le produit. Ils dépendent de la standardisation de votre pays, et vous aurez donc des références propres.
- Le tuyau doit être approuvé conformément à EN16436-1:2014 avec la longueur suffisante pour permettre une installation sans aucun nœud (longueur ne doit pas dépasser 1.5m). Le tuyau doit être facilement visible en traversant sa longueur entière pour inspection après l'installation.
- Détendeur – pré-réglé et approuvé CE, le détendeur de pression réduit la pression de la bouteille lors de la sortie de gaz. Ce produit peut être disponible chez votre commerçant de quartier. Régulateur de gaz doit être approuvé conformément à EN 16129:2013 avec capacité(g/h), pression, température de travail et connection d'entrée et de sortie propre pour le pays de destination.



Le gaz, liquide ou non, est hautement inflammable et explosif.

Conséquences possibles :

- Sérieuses blessures personnelles, ou endommagement de votre propriété si du gaz s'échappe dans un environnement non contrôlé.

Mesures de sécurité :

- Quand vous connectez votre bouteille de gaz, assurez-vous qu'il n'y a pas d'étincelles dans un rayon de 5 mètres.
- Faites surtout attention à n'allumer aucune flamme, ne fumez pas et n'allumez pas d'appareils électriques (appareils, lumières, sonnettes) etc. il est possible que ça saute.
- Si c'est nécessaire, assurez-vous de
- remplacer le tuyau en respectant les requis nationaux.
- Assurez-vous que la tubulure flexible est branchée, de sorte à ce qu'il n'y ait pas de fuites ni de torsions d'aucunes sortes.
- N'obstruez pas l'ouverture de ventilation du compartiment du cylindre.

Eléments Opérationnels :

POSITION	DESCRIPTION	FUNCTION
G1	Regulator	Reduce gas pressure
G2	Operating lever/ Cylinder valve	Separate safety facility with 2 settings: 9 o'clock setting or rotate clockwise to the end: Turn the gas off and connect/disconnect the gas bottle. 12 o'clock setting or rotate anti-clockwise to the end: Gas on
G3	Release button	Disconnect the regulator from the bottle valve
G4	Gas bottle with bottle valve	Fuel container
G5	Gas hose with hose clip	Direct gas to burner



INSTRUCTIONS D'ALLUMAGE :

1. Lire le mode d'emploi avant l'allumage.
2. Ouvrir le couvercle.
3. S'assurer que les boutons soient positionnés sur le «.»
4. Connectez le régulateur à la bombonne de gaz, ensuite allumer.
5. Appuyez et tournez le bouton dans le sens inverse des aiguilles d'une montre en position 1/4 jusqu'à ce qu'un clic soit entendu et que les brûleurs soient allumés.
6. Ajustez la flamme entre la zone 1/4 et 1/2.

ATTENTION

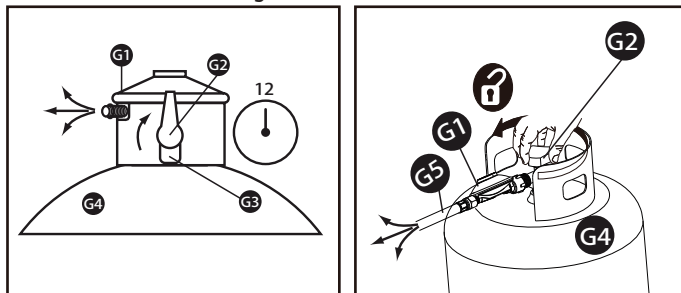
Seulement pour l'usage externe.

S'il ne s'allume pas dans les 5 secondes, remettre les boutons sur «•». Attendre 5 minutes pour permettre au gaz de se dissiper puis répétez la procédure d'allumage. Des parties accessibles peuvent être brûlantes, tenir les enfants hors de portée.

Déconnectez le détendeur de la bouteille de gaz si l'appareil n'a pas été utilisé depuis longtemps.

ATTENTION

Le couvercle doit être ouvert quand le brûleur est allumé ou chaud. Poids maximum sur l'étagère latéral : 6,8 KG / 15 LB

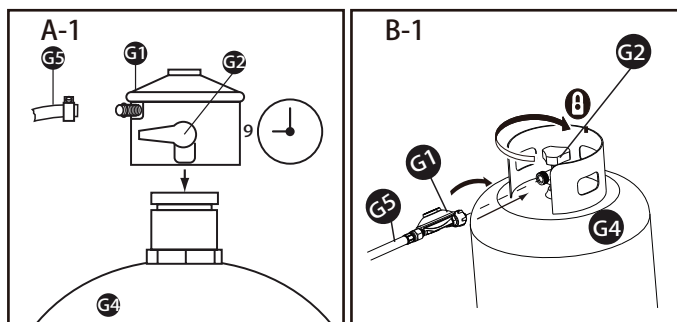


Fonction :

- Si la valve de la bouteille (G2 à un réglage à 12 heures, ou tournez dans le sens inverse des aiguille d'une montre jusqu'à la fin) et la manette de contrôle est ouverte, le gaz circulera à travers le tuyau de gaz G5 et à travers le dispositif de réglage (sous le panneau avant) dans le brûleur.
- Tout en atteignant une position de 1/4 pour chaque manette de contrôle, une étincelle sera émise de l'électrode du brûleur ce qui allumera le gaz. La puissance calorifique peut être ajustée par la gauche, le milieu et la droite en tournant la manette de contrôle de la position 1/4 à 1/2.

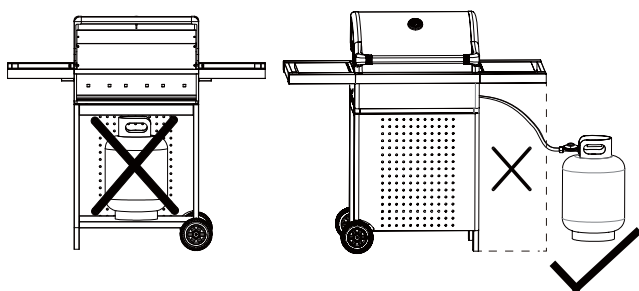
Note

- Si le barbecue n'est pas utilisé pendant de longues périodes, coupez l'ouverture de gaz de la bouteille et stockez-la proprement. Déconnectez le détendeur de la bouteille de gaz. La bouteille de gaz doit être stockée en extérieur.
- Mettez sur la bouteille de gaz un écrou opaque et fermé pour bien sécuriser sa fermeture et qu'il n'y ait pas de fuites. Et avec un capuchon de sécurité supplémentaire.



Connectez et déconnectez la bouteille de gaz

1. Sélectionnez une position valide pour positionner le barbecue. Assurez-vous que :
 - Qu'il n'y a pas, et qu'il n'y aura pas, de matière inflammable ou ne substances similaires proche. Gardez une certaine distance de tout matériaux ou substances : 2 mètres devant / derrière et 1 mètre sur les côtés ; distance à respecter des matériaux inflammables ou substances inflammables – minimum 6 à 7 mètres.
2. La position de la bouteille de gaz G4 proche du barbecue. Ne jamais poser la bouteille de gaz sur le côté ou sur l'étagère inférieure. Le tuyau de gaz G5, ne doit pas être courbé ou sous pression.



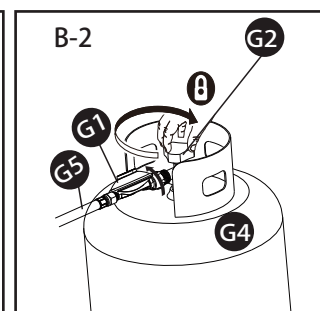
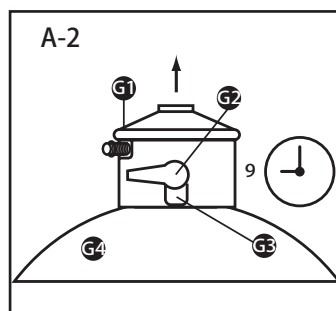
3. Vérifiez que la bouteille de gaz G4 et le détendeur G1 sont en bon état de marche. Aussi, vérifiez que le joint du détendeur est intact. N'utilisez pas d'autres joints.
4. Tournez la manette G2 à la position de 9 heures et appuyez sur le détendeur G1 sur la valve de la bouteille de gaz G4 jusqu'à ce que vous entendiez un click.
5. Vérifiez que le tout est correctement connecté en tirant le détendeur G1 vers le haut. Le détendeur ne doit pas se déconnecter de la valve de la bouteille de gaz.
6. Vérifiez la connexion entre le détendeur G1 et le tuyau de gaz G5 de la valve pour vous assurer que tout est sécurisé.
7. Ouvrez la bouteille en tournant la manette G2 sur la position 12 heures. Utilisez un détecteur de fuites standard pour vous assurer que toutes les connexions sont serrées. Une erreur ici peut conduire à un feu. Veuillez observer les instructions pour les indicateurs de fuites. Ne jamais vérifier les fuites s'il y a une flamme à nu. Ecouter s'il y a des fuites n'est pas une bonne méthode de détection.

Confirmez que toutes les manettes du barbecue sont bien fermées, à la position « . ». Ouvrez la valve d'ouverture sur le cylindre de gaz. Vérifiez qu'il n'y ait pas de fuites en mettant une solution savonneuse sur tous les joints qui conduisent du gaz, incluant toutes les valves de connexion, les connexions des tuyaux et les connexions du détendeur. **NE JAMAIS UTILISER DE FLAMME POUR UN TEST DE FUITES.** Si des bulles se forment à l'extérieur des tuyaux et joints du réservoir c'est qu'il y a une fuite. Si la connexion n'est pas scellée, fermez immédiatement la valve de la bouteille (tournez la manette G2 à la position 9 heures) et serrez la connexion ou remplacez la partie ayant la fuite. Répétez le test de fuite assez souvent, et n'importe quand que la bouteille de gaz soit réparée ou remplie.



Fermeture de la bouteille de gaz (Fig. 2-A, 2-B)

1. Fermez la valve de la bouteille (tournez la manette opérante G2 sur la position 9 heures)
2. Appuyez sur le bouton G3 et tirez le détendeur G1 vers le haut. Ou tournez la manette dans le sens inverse des aiguilles d'une montre au détendeur G1 pour fermer le détendeur G1.
3. Stockez le détendeur G1 avec le tuyau de gaz sous le barbecue. Assurez-vous que le tuyau n'est pas plié ou tordu de n'importe quelle manière.
4. Stockez correctement la bouteille de gaz :
 - Mettez sur la bouteille de gaz un écrou opaque et fermé pour bien sécuriser sa fermeture et qu'il n'y ait pas de fuites. Et avec un capuchon de sécurité supplémentaire.
 - Ne stockez pas la bouteille de gaz dans des sous-sols ou près d'escaliers, dans des couloirs ou près de passages pour piétons et voitures entre des bâtiments. Toujours stocker la bouteille en extérieur.
 - Toujours stocker la bouteille de gaz debout bien droit, même si elle est vide !



Opération

ATTENTION

Avant de procéder, soyez sûr que vous avez assemblé le produit en respectant les instructions.

Utilisez le barbecue au moins à 1 mètre de toute paroi murale. Ne jamais utiliser votre barbecue à gaz dans un building, un garage, un hangar, une voie ferrée ou tout autre espace enfermé.

Ne jamais obstruer le flux de ventilation tout autour de votre espace du barbecue.

Avant l'allumage

Inspectez le tuyau d'arrivée de gaz avant d'ouvrir la bouteille de gaz. S'il y a des évidences de coupure, d'usure ou d'abrasion, vous devez le remplacer prioritairement. Vérifiez qu'il n'y a pas de fuite avant utilisation. N'utilisez pas le barbecue si une odeur de gaz est présente.

Préparation avant cuisine

Pour être préventif au niveau de la nourriture de la conservation au grill, veuillez recouvrir vos aliments d'une légère couche d'huile afin qu'ils ne collent pas et qu'ils soient faciles à manipuler.

(Note : quand vous cuisinez pour la première fois, la couleur extérieure peut changer légèrement, c'est normal et doit être attendu.)

Allumage du barbecue :

1. Lisez les instructions avant d'utiliser l'appareil
2. Ouvrez le couvercle
3. Assurez-vous que les boutons sont à la position « ● ».
4. Connectez le régulateur avec le cylindre, puis allumez.
5. Appuyez puis tournez la manette de contrôle dans le sens inverse des aiguilles d'une montre d'approximativement 1/4 de tour, jusqu'à ce qu'un click se fasse entendre et que le brûleur est allumé.
6. Ajustez la flamme de la zone 1/4 à la zone 1/2.
7. Si l'allumage ne se produit pas sous 5 secondes, tournez la manette de contrôle à « ● ». Attendez 5 minutes pour permettre au gaz de se dissiper, puis recommencez la procédure d'allumage.
8. Eteignez l'ouverture de gaz de la bouteille de gaz après utilisation.

Changer le côté du brûleur :

Répétez l'étape de démarrage depuis l'étape 2, mais utilisez la manette de contrôle du brûleur que vous souhaitez allumer.

Allumage avec une allumette

Si le brûleur ne s'allume toujours pas après un certain temps, essayez l'allumage manuel en suivant la procédure ci-dessous :

1. Ouvrez le couvercle du barbecue
2. Assurez-vous que toutes les manettes des brûleurs sont à la position « ● ».
3. Allumez doucement le gaz sur la bouteille ou sur le détendeur si ce n'est pas déjà fait.
4. Placez une allumette sur le porteur d'allumette (tenant).
5. Utilisez le tenant pour coulisser l'allumette allumée à travers les grilles de cuisson et l'avant de la chaleur sera sur la gauche du brûleur que vous souhaitez.
6. Appuyez et tournez la manette du brûleur sur la position 1/2.
7. Si le brûleur ne s'allume pas sous les 5 secondes, tournez la manette de contrôle du brûleur au « ● », attendez 5 minutes pour laissez-le gaz disparaître puis réessayez.
8. Quand il s'allume, tournez la manette de contrôle pour que la flamme soit de la puissance que vous souhaitez.

Il est recommandé d'utiliser une poêle ou une casserole avec une taille de 180-260 millimètres pour les brûleurs du côté.

Session fin de cuisine

Après chaque fin de session de cuisine, tournez toutes les manettes de contrôle du barbecue au « Max » pendant 5 minutes. Cela permettra de brûler les résidus de nourriture restants, ce qui le rendra propre plus facilement. Assurez-vous que la hotte est ouverte durant ce processus. Quand vous avez fini d'utiliser votre barbecue, tournez toutes les valves de contrôle complètement dans le sens des aiguilles d'une montre jusqu'à la position OFF « ● », puis fermez l'arrivée de gaz de la bouteille. Attendez que le barbecue soit suffisamment froid avant de fermer la hotte.

Petits conseils pour mieux cuisiner et gagner une plus longue espérance de vie pour votre barbecue

1. Utilisez la grille supérieure de cuisson (réchaud chauffant) pour garder votre nourriture au chaud, toaster du pain ou cuisiner de délicieux aliments sur des pochettes en aluminium.
2. Utilisez le brûleur latéral de ce produit comme une cuisine normale avec sa gamme ébullition ou friture.
3. Pour réduire le risque de flambée, gardez le barbecue propre, utilisez des coupes fines de nourriture et évitez de cuisiner à très haute température.
4. Placez délicatement la nourriture comme le poisson et les légumes sur une feuille d'aluminium et ne cuisinez pas directement dessus ou placez-le sur la grille supérieure de cuisson (réchaud chauffant).
5. Pour éviter de perdre le jus naturel, utilisez une longue brosse ou des spatules au lieu de fourchettes et tournez la nourriture une seule fois durant la cuisine.
6. Quand vous cuisinez directement dessus, ajustez vos brûleurs à différents niveaux et donc vous pourrez préparer différents plats à différentes températures en même temps.
7. Jetez un peu d'eau sur votre grill pour éviter tout éclatement et faire un jus de viande. Avant de commencer avec le barbecue, retirez les grilles de cuisson. Remplissez à mi-chemin avec de l'eau. Remplacez les grilles de cuisson et mettez de la nourriture sur la casserole que vous aurez posé au préalable.
8. Rôtisserie, panier grill, cuiseur vertical de volaille et autres accessoires peuvent améliorer vos expériences, réduire le temps de cuisson et vous aider à nettoyer.
9. Nettoyer les grilles de cuissons et les étagères après chaque utilisation avec un produit spécifique pour vos grilles de barbecue. Porter des gants de protection et enlevez doucement l'accumulation de nourriture car les grilles sont chaudes.
10. Après chaque utilisation, laissez le barbecue refroidir. Puis, protégez et nettoyez vos grilles de cuisson, videz la graisse de la poêle, essuyez l'extérieur de la surface avec un produit de cuisine qui nettoie et protégera les surfaces de votre barbecue avec une couverture d'une certaine protection qui protégera votre barbecue/

Nettoyage et maintenance

Nettoyez régulièrement le barbecue entre chaque utilisation et surtout après les périodes de stockage.

Assurez-vous que le barbecue et ses composants sont suffisamment froids avant nettoyage.

Ne pensez jamais à éteindre le barbecue avec de l'eau quand sa surface est chaude.

Ne jamais prendre les parties chaudes à la main sans gants.

Dans le but d'étendre la durée de vie en maintenant de bonnes conditions pour votre barbecue, nous vous recommandons fortement de bien couvrir le produit quand vous le laissez en extérieur, surtout pendant les périodes d'hiver.

1. Grille de cuisson

Nettoyez-la avec de l'eau savonneuse. Pour retirer tout résidu de nourriture, utilisez un nettoyant doux à la crème et non un nettoyant dur comme de l'abrasif. Rincez, et séchez complètement.

2. Maintenance du brûleur

En usage normal, brûler complètement les résidus après avoir cuisiné gardera le brûleur propre. Le brûleur doit être retiré et nettoyé tous les ans, ou n'importe quand si vous voyez une accumulation se former, assurez-vous qu'il n'y a pas de signes de blocages des résidus (débris, insectes ou autre) soit dans les hublots du brûleur soit dans les tubes. Utilisez un nettoyeur de tubes pour nettoyer les obstructions quelconques. Une brosse métallique peut être utilisée pour enlever la corrosion de la surface des brûleurs.

Quand vous remontez les brûleurs, faites attention à vérifier que tous les tubes du brûleur s'adaptent sur les sorties de vannes.

Les électrodes des brûleurs peuvent être pliés ou peuvent s'accrocher durant le nettoyage.

Les possibles conséquences sont :

- Le brûleur ne s'allume plus

Mesures de sécurité :

- Faites très attention à l'espace autour de vous quand vous nettoyez le brûleur.

3. Le corps du barbecue

Retirez régulièrement l'excès de graisse du corps du barbecue avec un racléur en plastique ou en bois souple.

Il n'est pas nécessaire de retirer toute la graisse du corps du barbecue. Si vous avez besoin de le nettoyer complètement, utilisez une solution d'eau savonneuse chaude et une éponge, ou une éponge en nylon seulement. Retirez les grilles de cuisson et les brûleurs avant nettoyage. N'immergez pas les contrôleurs du gaz ou les manettes de contrôles dans l'eau. Vérifiez si les brûleurs fonctionnent toujours après les avoir repositionnés.

4. Vérification

Vérification annuelle de tout et du serrage des pièces est recommandé.

5. Stockage

Stockez votre barbecue dans une pièce sèche et froide. Couvrez les brûleurs avec une feuille d'aluminium dans le but de prévenir l'arrivée d'insectes ou d'autres débris des trous des brûleurs. Si le barbecue va être stocké en intérieur, la bouteille de gaz doit être déconnectée et laissée en extérieur. La bouteille de gaz doit toujours être stockée en extérieur, dans un endroit sec et bien aéré, loin de toute source de chaleur ou source d'allumage. Ne laissez pas les enfants proches de la bouteille de gaz.

Mesures de destruction en accord avec l'environnement


- Pour jeter le barbecue, démontez le complètement, pour avoir comme au départ, chaque pièce séparée l'une des autres. Recyclez les parties en métal et en plastiques.



PRUDENCE ! LES ELECTRODES DU BRULEUR

Dépannage

PROBLEME	CAUSE POSSIBLE	PREVENTION / REPARATION
Le brûleur ne s'allume pas malgré l'étincelle	Les câbles ou les électrodes sont couverts de résidus alimentaires	Nettoyez les câbles et/ou les électrodes avec de l'alcool à friction.
	Les Electrodes et les brûleurs sont mouillés	Essuyez à sec avec un chiffon
	Les Electrodes sont fissurées ou cassées	Remplacez les électrodes
	Les câbles sont débranchés ou déconnectés	Reconnectez les câbles ou remplacez l'ensemble électrode/câbles.
	Les câbles sont trop courts (il y a des étincelles entre l'allumeur et l'électrode)	Remplacez l'allumeur, les câbles et les électrodes.
Le brûleur ne s'allume pas malgré une allumette	Il n'y a pas de flux de gaz	Vérifiez que la bouteille de gaz n'est pas vide. Si c'est le cas, remplacez-la ou remplissez-la, mais référez-vous « chute soudaine du flux de gaz ou taille de flamme réduite »
	L'écrou d'accouplement et le régulateur ne sont pas complètement raccordés	Tournez l'écrou d'accouplement de 1 et demi aux 3/4 en plus jusqu'à avoir un arrêt solide. Ne serrez qu'avec les mains, n'utilisez pas d'outils.
	Il y a une obstruction du flux de gaz	Nettoyez les tubes du brûleur, vérifiez qu'ils ne soient pas pliés ou tordus.
	Toiles d'araignées ou insectes dans les conduits	Nettoyez-les conduits
	Ports des brûleurs obstrués ou bloqués	Nettoyez les ports des brûleurs
Gaz qui chute soudainement ou flamme qui se réduit soudainement	Plus de gaz	Remplacez ou remplissez la bouteille de gaz.
	Excès de flux, le mode de sécurité peut avoir été activé.	Tournez les manettes de contrôle au OFF « ● », attendez 30 secondes et allumez le barbecue. Si les flammes sont toujours faibles, redémarrez la fonction de sécurité de flux excessif en tournant la manette de contrôle OFF « ● » et la valve de la bouteille de gaz sur « CLOSED / FERME » et déconnectez le régulateur. Tournez la manette de contrôle au « HIGH », et attendez une minute. Puis tournez le bouton de contrôle au OFF « ● », et reconnectez le régulateur et vérifiez si les connexions ont des fuites. Tournez doucement la valve de la bouteille de gaz au « OPEN / OUVERT », attendez 30 secondes et ensuite allumez le barbecue par les instructions d'allumages.
Flamme irrégulière, la flamme ne remplit pas complètement le brûleur	Les ports du brûleur sont obstrués ou bloqués	Nettoyez les ports des brûleurs.
La flamme est jaune ou orange	Le brûleur peut avoir des résidus d'huile de fabrication	Allumez le barbecue, et brûlez les résidus pendant 15 minutes avec le couvercle fermé.
	Des toiles d'araignées ou des insectes peuvent être présents dans les conduits	Nettoyez-les conduits
	Résidus alimentaires, graisse ou assaisonnement de sel sur le brûleur	Nettoyer-les brûleurs
	Mauvais alignement de la valve et du conduits d'injection	Assurez-vous que les conduits du brûleur est correctement connecté aux injecteurs.
La flamme s'éteint	Vents violents ou rafales	N'utilisez pas le barbecue lors de vents violents
	Peu de gaz dans la bouteille	Remplacez ou remplissez votre bouteille de gaz
	Valve de trop-plein décroché	Rouvrez le barbecue
Feu de graisse persistant	De la graisse est piégée par l'accumulation de nourriture autour du système du brûleur	Tournez la manette de contrôle au OFF « ● », tournez la manette de la bouteille de gaz au « CLOSED / FERME ». Laissez le couvercle en position ouverte et laissez le feu brûler. Une fois que le barbecue est froid, retirez et nettoyez les parties.
Retour de flamme (la flamme va dans les tuyaux)	Les tuyaux des brûleurs sont bloqués	Nettoyez les brûleurs et les tuyaux
L'intérieur du couvercle s'émiette	Le couvercle est en acier inoxydable, il n'est pas peint	La graisse cuite s'est transformée en légère couche de charbon et se décolle. Nettoyez le tout complètement.

VENDEDOR	GEOCIDS S.A. 32 RUE DE PARADIS 75010 PARIS			
Nombre del producto	Festa 4	Référence	1351_100514 (SRGG31707)	
Numero de pedido	1984CU9001	ΣQn	10.5 kW (764 g/h)	
Quegador principal	7.2kW	Quegador lateral	3.3kW	
País	Categoría	Tamaño del inyector (Quegador principal)	Tamaño del inyector (Quegador lateral)	Gas & Presión
<input type="checkbox"/> AT <input type="checkbox"/> CH <input type="checkbox"/> DE <input type="checkbox"/> SK	I3B/P(50)	0.64 mm	0.79 mm	G30 Butane and G31 Propane at 50mbar
<input type="checkbox"/> CY <input type="checkbox"/> DK <input type="checkbox"/> EE <input type="checkbox"/> FR <input type="checkbox"/> FI <input type="checkbox"/> HU <input type="checkbox"/> IT <input type="checkbox"/> LT <input type="checkbox"/> NL <input type="checkbox"/> NO <input type="checkbox"/> SE <input type="checkbox"/> SI <input type="checkbox"/> SK <input type="checkbox"/> RO <input type="checkbox"/> HR <input type="checkbox"/> TR <input type="checkbox"/> BG <input type="checkbox"/> IS <input type="checkbox"/> LU <input type="checkbox"/> MT	I3B/P(30)	0.74 mm	0.90 mm	G30 Butane and G31 Propane at 30mbar
<input type="checkbox"/> BE <input type="checkbox"/> CH <input type="checkbox"/> CY <input type="checkbox"/> CZ <input type="checkbox"/> ES <input type="checkbox"/> FR <input type="checkbox"/> GB <input type="checkbox"/> GR <input type="checkbox"/> IE <input type="checkbox"/> IT <input type="checkbox"/> LT <input type="checkbox"/> LU <input type="checkbox"/> LV <input type="checkbox"/> PT <input type="checkbox"/> SK <input type="checkbox"/> SI	I3+(28- 30/37)	0.74 mm	0.90 mm	G30 Butane at 28-30 mbar and G31Propane at 37mbar
<input type="checkbox"/> PL	I3B/P(37)	0.68 mm	0.84 mm	G30 Butane and G31 Propane at 37mbar
<p>CUIDADO: PARA USO EXCLUSIVAMENTE EXTERIOR. Si se almacena al interior, desconecte el tanque de gas y déjelo al exterior. Lea las instrucciones antes de usar el producto. Dejar un mínimo de 100 cm a los lados y detrás del producto para poder ser utilizado. PELIGRO: Algunas partes pueden estar muy calientes. Mantenga a los niños alejados.</p>				
HECHO EN PRC				

Antes de empezar

Cuidado

- Lea las instrucciones antes de usar el producto. Siga los pasos en el orden en que aparecen, y verifique antes de todo la integridad de las medidas de seguridad.
- Si no se siguen las instrucciones, puede dañar la unidad u otros objetos e incluso herirse.
- Estas instrucciones son parte del producto. Deben en todo momento estar almacenadas con el dispositivo, y deben ser leídas por todos los usuarios del producto.
- Se aplicó un gran cuidado para eliminar los extremos afilados, pero aún se debe tener cuidado de no hacerse daño.
- En caso de duda, consulte a un técnico cualificado de gas antes de su uso.
- Tenga extrema precaución cuando se utilice el producto por primera vez. Mantenga la cabeza y las manos lejos de la superficie de cocción de la parrilla.
- Asegúrese siempre de que la parrilla esté completamente fría antes de usar la funda.
- En el montaje de esta barbacoa, utilice solamente las piezas suministradas. No modifique la barbacoa o cualquiera de las partes. Cualquier cambio en el dispositivo puede ser peligroso.



NO LO UTILICE AL INTERIOR, PARA USO EXCLUSIVAMENTE EXTERIOR.

¿Qué hacer?

- Mantenga limpio el dispositivo (siga las instrucciones del manual)
 - Para evitar grandes llamas, lo que podría ocasionarle daños a usted o dañar su propiedad, es vital que la unidad esté limpia antes de su uso.
- Utilizar el dispositivo en un lugar seguro, sobre una superficie plana, lejos de materiales inflamables, tales como vallas o ramas de cualquier árbol de madera.
- Proteger de la humedad.
- Un adulto siempre debe estar a cargo de la barbacoa. Nunca deje una parrilla caliente sin supervisión.
- Asegúrese siempre que la barbacoa está totalmente apagada y vaciada de cualquier gas y fría antes de moverla. Cubrir con funda de seguridad (no incluida) o almacenarlo al abrigo de los cambios climáticos.

¿Qué no hacer?

- No utilice en interiores, usar sólo el exterior.
- ¡CUIDADO! NUNCA almacene la barbacoa antes de que esté completamente fría y desconectada la llegada del gas.
- No coloque la parrilla sobre una superficie que pueda ser dañada por el calor.
- Se trata de un aparato de gas, no utilice ningún otro tipo de combustible, alcohol o cubo blanco iluminado fuego.

¡PRUDENCIA!

- Deje la unidad fuera del alcance de los niños y los animales durante y después de usar.
- No almacenar aceite o vapor / líquido inflamable en el tanque de la barbacoa.
- Esta unidad se calienta mucho durante el uso - Siempre use ropa adecuada contra el calor durante el uso.
- ADVERTENCIA: las partes accesibles pueden estar muy calientes, mantenga a los niños lejos del dispositivo.
- Cierre el suministro de gas de la bombona cuando termine de usar.
- SIEMPRE cierre y desconecte el aparato de la red de gas después de su uso para el almacenamiento.
- NO mueva la unidad durante USO

¡PELIGRO!

Si huele a gas:

1. Cierre el suministro de gas del aparato.
2. Apague todas las llegadas de las llamas y evite el uso de cualquier aparato eléctrico.
3. Abrir la tapa y ventilar la habitación.
4. Compruebe todas las conexiones de gas con una solución de jabón.
5. Si el olor persiste, llame a su proveedor de gas o a los bomberos.

Más información

Para un buen uso:

Esta barbacoa es un aparato de gas para uso al aire libre. Está diseñado para su uso únicamente de acuerdo con estas instrucciones para preparar los alimentos que son compatibles con la cocción en barbacoa. ¡Solo para uso privado!

Esta unidad debe estar alejada al máximo de cualquier producto inflamable durante su uso.

Hacer pruebas de fugas en cada tanque después de cada uso, o después del primer uso después de un largo periodo de no utilización, gracias al método descrito en "Conectar y desconectar la bombona de gas."

Esta parrilla debe ser limpiada e inspeccionada regularmente, limpiar e inspeccionar periódicamente la manguera antes de cada uso del producto. Si hay evidencia de desgaste por fricción y otras pruebas de fallo o fugas, la manguera debe reemplazarse antes de usar el dispositivo.

Usar sólo las piezas aprobadas para el producto. El uso de cualquier otra pieza que no ha sido incluida con el producto es peligroso.

Cuando se cocina, los materiales de extinción de incendios deberán ser de fácil acceso. En el caso de la presencia de la quema de aceite de la grasa, no intente apagarlo con agua. En caso de un incendio, utilizar extintores de incendios de tipo B o C, o bicarbonato de sodio.

Instalar y utilizar el equipo en tierra, nunca instale o utilice la barbacoa en un barco o un coche.

Siempre abra la tapa de la barbacoa, con mucho cuidado ya que el calor y el gas puede ser atrapado y provocar quemaduras graves. Retire la tubería de gas lo más lejos posible de una superficie caliente y cubierta con grasa caliente.

Mantenga todos los cables eléctricos lejos de la parrilla caliente. Cierre el suministro de gas en la botella de gas después de su uso. Al manipular los componentes calientes, usar guantes.

Utilización incorrecta :

Cualquier otro uso o aplicación fuera de lo preconizado no está permitido. Esto se aplica en particular al uso abusivo del producto, así como los posibles escenarios siguientes:

- No utilizar la barbacoa con carbón u otro combustible que no sea GLP
- No utilizar la barbacoa como una placa con ollas y sartenes.
- No utilice la parrilla como un calentador.
- No modificar el producto
- Las partes selladas por el fabricante no deben ser modificados por el usuario.
- No utilizar la barbacoa para calentar materiales o sustancias distintas de los alimentos que están listos para ser calentado en la parrilla. La barbacoa fue construida respetando las reglas de la ingeniería - que fueron validados en el momento de fabricación del producto - y la necesidad de la marca CE. ~~La barbacoa ha salido de la fábrica en buen estado y en buenas condiciones en términos de funciones y la seguridad.~~
- Nunca use un tanque de propano dañado de alguna manera.
- Nunca guarde un tanque de propano debajo o cerca del producto
- El uso de alcohol o drogas, prescritas o no, puede afectar a la capacidad de ensamblar correctamente y de producto.

- Nunca use carbón, alcohol o líquido para quemar, roca de lava, queroseno, gasolina o cualquier producto con este dispositivo.
- No almacene ni use gasolina u otros líquidos / vapores inflamables a una distancia de seguridad (7 m) del producto.
- Mantenga esta unidad a una cierta distancia de cualquier estructura de combustible (de 1 a 2 metros). No utilice este producto en una superficie combustible.



¡PRECAUCIÓN! LA SUPERFICIE PRINCIPAL Y ANEXAS PUEDEN ESTAR CALIENTES

Durante la operación, algunas partes de la barbacoa pueden alcanzar temperaturas muy elevadas, sobre todo los cercanos a las llamas.

Posibles consecuencias:

- Quemaduras graves por contacto con piezas cerca de las llamas.
- Algunas sustancias o materiales inflamables cerca de la barbacoa se encienden si están cerca de la barbacoa.

Precauciones de seguridad antes de utilizar la barbacoa:

Elija una ubicación para instalar la barbacoa, usted debe:

- Verificar que no haya, en el presente y el futuro, materiales o sustancias inflamables cerca. Una distancia entre las materias o sustancias y la barbacoa: Sin techo justo por encima, y sin paredes u otro muro a menos de 1 metro de distancia.
- La barbacoa se debe colocar de forma segura sobre una superficie grande. No se debe mover durante el uso.

Medidas de seguridad durante el uso:

- Use guantes protectores
 - Nunca deje la parrilla caliente sin supervisión
- TENGA UN CUIDADO ESPECIAL PARA ASEGURAR QUE LOS NIÑOS Y LAS MASCOTAS ESTÉN LEJOS DE LA BARBACOA.
- Nunca coloque el cilindro de gas justo al lado de la barbacoa. Siempre coloque el cilindro de gas en el lado trasero izquierdo del producto. El cilindro de gas debe estar lo más lejos de la barbacoa evitando al mismo tiempo de estirar la manguera. Ninguna parte de la manguera debe tocar ninguna parte del producto.



¡PRECAUCIÓN! GAS ES ALTAMENTE INFLAMABLE

El gas es altamente inflamable y explosivo.

Puede ocasionar:

- Lesiones graves o daños a la propiedad Si hay un escape de gas y enciende en un ambiente no controlado.

Medidas de seguridad:

- No utilizar la barbacoa al aire libre y asegúrese de que la ubicación está bien ventilada.
- Proteja la botella y el tubo de gas de la exposición directa del sol y otras fuentes de calor (máximo 50 ° C). Asegúrese de que la manguera de gas no toque ninguna parte caliente de la parrilla.
- No coloque el cilindro de gas en un estante bajo, especialmente si está cerca del quemador.

- No inclinarse sobre la barbacoa al encender la llama.
- Cierre la válvula de la bombona de gas después de cada uso (gire la válvula en el sentido de las agujas del reloj). Además, cerrar las válvulas reguladoras (gire las asas en la dirección de las agujas del reloj al máximo)
- Nunca deje desatendida la parrilla caliente. Si la llama se apaga, vuelva a encenderla inmediatamente o cortar la llegada de la botella de gas.
- Al conectar el cilindro de gas, asegúrese de que no hay fuentes de ignición dentro de los 5 metros. Tener mucho cuidado de no encender una flama, no fume y no encienda aparatos eléctricos (electrodomésticos, luces, etc.) una ráfaga es posible.
- Antes de cada uso, asegúrese de que todas las conexiones de gas, esta selladas e intactas.
- Si es necesario, asegúrese de reemplazar la tubería con el fin de satisfacer las exigencias nacionales. (Siempre utilice bridas para sujetar la manguera al regulador y barbacoa). Si las conexiones de gas son porosas y defectuosas, la barbacoa no debe ser utilizada. Esto se aplica, por ejemplo, tuberías o accesorios que pueden ser bloqueados, esto puede llevar a un alto riesgo de herida peligrosa.



El gas es más pesado que el oxígeno. Así que el gas permanece en el suelo y desplaza el oxígeno en altura.

Puede ocasionar:

- Asfixia resultante de una falta de oxígeno, si la concentración de gas es importante.

No utilice la parrilla hasta que no se haya montado y unido todas las partes y apretado con seguridad.

Nunca deje una parrilla encendida sin vigilancia, especialmente mantener a los niños y mascotas lejos de la parrilla todo el tiempo.

No mueva la barbacoa cuando está en uso.

Nunca cubra completamente toda la zona de cocción.

Nunca bloquee la apertura de la ventilación del compartimento cilíndrico.

No utilice herramientas eléctricas para ensamblar el producto.

No apriete demasiado los tornillos o pernos.

No se siente ni se pare sobre el producto.

No utilice este producto si faltan piezas, si están dañadas o son falsas.

El uso de estropajos, abrasivos o productos químicos de limpieza.

Assemblage

Por favor, lea atentamente estas instrucciones antes de ensamblar y usar el equipo.

Precaución: Si bien se han hecho todos los esfuerzos para eliminar todos los bordes afilados, debe manejar todos los componentes con cuidado para evitar cualquier accidente.

Por favor, use guantes de protección al montar el producto.

Montar la barbacoa implica una amplia gama de componentes; es recomendable ser más de una persona para montar el producto.

Cuando esté listo para empezar, asegúrese de que tiene las herramientas adecuadas, un montón de espacio y un lugar seco y limpio.

Para evitar la pérdida de cualquier componente tan pequeño como sea, ensamblar el producto en un gran espacio que no contenga grietas o aberturas.

Para evitar daños en el piso o la alfombra durante el montaje, montar el producto en una superficie resistente.

Compruebe el paquete para asegurarse de que tiene todas las piezas y el juego de piezas.

Por favor, consulte tantas veces como sea necesario la lista de piezas y las instrucciones de montaje.

Durante el montaje, los niños deben estar alejados lo más posible del producto para evitar el riesgo de lesiones.

Asegúrese que todo el plástico protector se ha retirado antes del montaje.

Siga todos los pasos con el fin de montar correctamente el producto.

No fuerce el ensamblaje de partes para evitar lesiones personales o dañar el producto.

En su caso, apretar las conexiones de ferretería a la mano, una vez apretadas todas las piezas, volver atrás y apriete completamente todo el equipo.

Asegúrese que el producto está ensamblado como se muestra antes de su uso.

Número de personas necesarias para el ensamblaje

Dos personas para montar y transportar.

Tiempo de montaje



1.5 hour

Herramientas necesarias



No proporcionado



No proporcionado



No proporcionado

Conectar y desconectar el cilindro de gas

Objetos y herramientas necesarias

- Un cilindro de gas - Una botella de GLP de serie con una dosis de 5 a 13 kg (propano o butano). Este gas está disponible en tiendas de bricolaje o de un proveedor de gas. Las siguientes piezas no están incluidas en el producto. Que dependerá de la normalización de su país, por lo que tendrá propias referencias.
- La manguera se aprobará de acuerdo con EN16436-1:2014 con suficiente longitud, permitiendo la instalación sin ningún tipo de doblones (La longitud no debe exceder 1.5 m). La manguera debe ser fácilmente visible en toda su longitud para su inspección después de la instalación.
- Regulador - preestablecido y aprobado CE, el regulador de presión reduce la presión del cilindro de gas en la salida. Este producto puede estar disponible en su distribuidor local.
- El regulador de gas debe ser aprobado según la norma en 16129:2013 con la capacidad adecuada (g/h), presión, temperatura de trabajo y conexión de entrada + salida para el país de destino.



Instrucciones de encendido:

1. Lea el manual de usuario antes de encender.
2. Abra la tapa.
3. Asegúrese que las perillas están en posición "●".
4. Enchufe el regulador al tanque, después abra la perilla.
5. Presione y gire la perilla de encendido contra las manillas de un reloj en posición ¼ hasta escuchar un clic y que el quemador se encienda.
6. Ajuste la flama entre ¼ y ½ de la perilla.

Peligro

Para uso exclusivamente exterior.
Si el quemador no se enciende en un lapso de 5 segundos regresa la perilla a la posición "●". Espera 5 minutos para que el gas se disipe y repite el proceso de encendido.
Algunas piezas pueden estar muy calientes, mantén a los niños alejados.
Desconecte el regulador del tanque cuando el producto no esté en uso durante un largo tiempo.

Peligro

La cubierta debe estar abierta cuando el quemador esta encendido o caliente.
Carga máxima para la bandeja lateral: 6.8 KG / 15 LB



Gas, líquido o no, es altamente inflamable y explosivo.

Puede ocasionar:

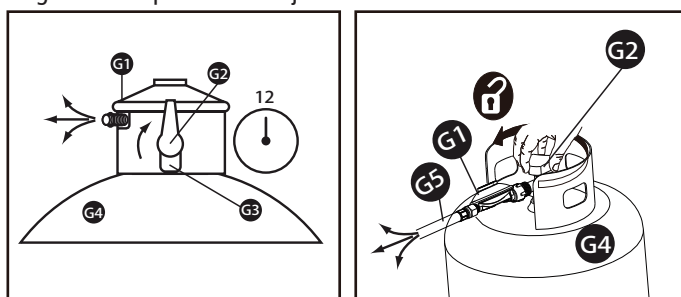
- lesiones personales graves o daños a su propiedad si el gas se escapa en un ambiente no controlado.

Medidas de seguridad:

- Cuando se conecta el cilindro de gas, asegúrese que no hay chispas dentro de los 5 metros.
- Tenga especial cuidado de no encender las llamas, no fume y no encienda aparatos eléctricos (electrodomésticos, luces, campanas), etc. Hay riesgo de explosión.
- Si es necesario, asegúrese de colocar la tubería que respete las exigencias nacionales.
- Asegúrese de que el tubo flexible está conectado, por lo que no existen fugas o giros sin clases.
- No bloquee las aberturas de ventilación del compartimento del cilindro.

Elementos operativos:

POSITION	DESCRIPTION	FUNCTION
G1	Regulator	Reduce gas pressure
G2	Operating lever/ Cylinder valve	Separate safety facility with 2 settings: 9 o'clock setting or rotate clockwise to the end: Turn the gas off and connect/disconnect the gas bottle. 12 o'clock setting or rotate anti-clockwise to the end: Gas on
G3	Release button	Disconnect the regulator from the bottle valve
G4	Gas bottle with bottle valve	Fuel container
G5	Gas hose with hose clip	Direct gas to burner

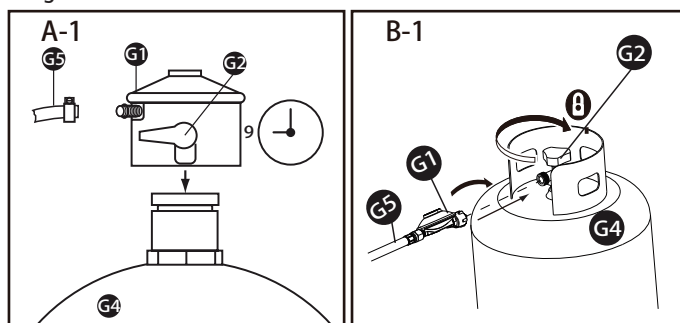


Función:

- Si la válvula del cilindro (ajuste de G2 a 12 horas, o gire en la dirección opuesta de la mano de un reloj hasta el final) y se abre la palanca de control, el flujo de gas a través del tubo G5 y gas a través del dispositivo de ajuste (bajo el panel frontal) en el quemador.
- Coloque la válvula a 1/4 para cada palanca de control, una chispa se emite desde el electrodo de quemador que enciende el gas. La salida de calor se puede ajustar por la izquierda, centro y derecha girando la perilla de control de 1/4 a 1/2.

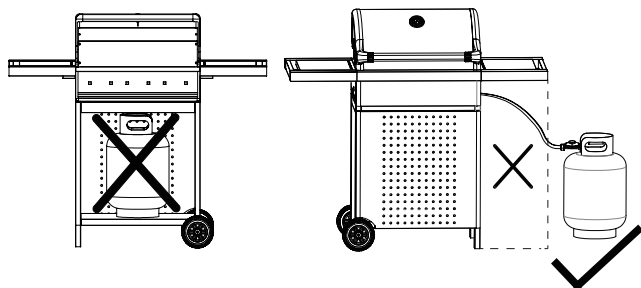
Nota

- Si la parrilla no está en uso durante periodos prolongados, apagar la abertura del cilindro de gas y almacenarlo adecuadamente. Desconecte el regulador del cilindro de gas. El cilindro de gas se almacena al aire libre.
- Ponga una tuerca opaca sobre la botella de gas para asegurar correctamente cerrado y que no haya fugas. Y con un tapón de seguridad adicional.



Conectar y desconectar el cilindro de gas

1. Seleccionar una posición válida para posicionar la barbacoa.
Asegúrese:
 - Que no hay, y no habrá ningún material inflamable o similares cerca. Mantenga una distancia de cualquier material o sustancias: 2 metros delante / detrás y 1 metro a los laterales; la distancia de los materiales inflamables o inflamables - mínimo de 6-7 metros.
2. La posición del cilindro de gas G4 cerca de la barbacoa. Nunca coloque la botella de gas en el lado o en el estante inferior. G5 tubo de gas no debe ser doblado o pinchado.



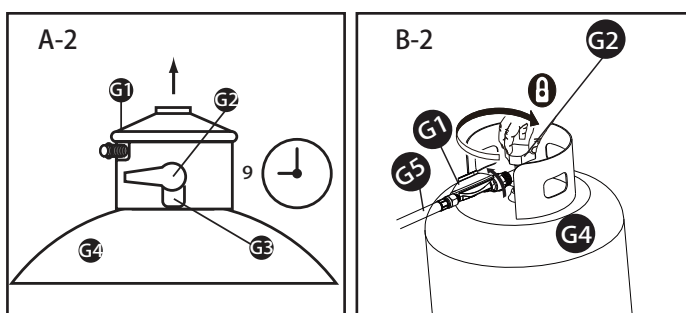
3. Asegúrese de que la botella de gas y el regulador G4 G1 está en buenas condiciones. Además, verifique que el sello de la válvula está intacto. No utilice otros sellos.
4. Girar el regulador de G2 a la posición de las 9 en punto y presione la válvula de regulación de G1 en el cilindro de gas G4 hasta que oiga un clic.
5. Asegúrese de que todo esté bien conectado tirando del regulador de G1 hacia arriba. El regulador no debe desconectarse de la válvula del cilindro de gas.
6. Compruebe la conexión entre el G1 regulador y la válvula del tubo de gas G5 para asegurarse de que todo es seguro.
7. Abra la botella girando la perilla de G2 en la posición de las 12 en punto. Utilice un detector de fugas estándar para asegurarse de que todas las conexiones estén apretadas. Un error aquí puede dar lugar a un incendio. Tenga en cuenta las instrucciones para el indicador de fugas. Nunca comprobar si hay fugas si hay una llama. Escuchar si hay una fuga no es un buen método de detección.

Confirman que todas las perillas de la parrilla están cerradas, posición " ". Abra la válvula de apertura del cilindro de gas. Asegúrese de que no hay fugas poniendo una solución de jabón en todas las uniones que llevan el gas, incluyendo todas las válvulas de conexión, conexiones de manguera y conexiones del regulador. **NUNCA USE UNA LLAMA PARA LA PRUEBA DE FUGAS.** Si se forman burbujas en el exterior de los tubos y las juntas del tanque es que hay una fuga. Si la conexión no está sellada, cerrar inmediatamente la válvula del cilindro (G2 gire la perilla a la posición de las 9 en punto) y apriete la conexión o sustituya la pieza con la fuga. Repita la prueba de fugas a menudo, y cada vez que la botella de gas sea reparada o llenada.



El cierre de la botella de gas (Fig. 2-A, 2-B)

1. Cierre la válvula del cilindro (G2 girar el mando operativo a la posición de las 9 en punto)
2. Pulse el botón y tire del regulador de G1 G3 hacia arriba. O gire la perilla a la izquierda de la pieza G1 para cerrar la válvula.
3. Guarde el regulador de G1 con la tubería de gas a la barbacoa. Asegúrese de que el tubo no está doblado o retorcido de ninguna manera.
4. Guarde el cilindro de gas correctamente:
 - Cierre el cilindro de gas con una tuerca opaca para asegurarse que no haya fugas. Y con un tapón de seguridad adicional.
 - No guarde el cilindro de gas en sótanos o cerca de escaleras, pasillos o cerca de los pasos de peatones y coches entre los edificios. Siempre guarde la botella al aire libre.
 - Siempre guarde la botella de gas de pie en posición vertical, ¡Incluso si está vacía!



Operación

CUIDADO

Antes de continuar, asegúrese de que ha montado el producto de acuerdo a las instrucciones.

Use la parrilla al menos a 1 metro de cualquier muro o pared.

Nunca use la parrilla de gas en una línea ferroviaria edificio, garaje, cobertizo u otro espacio cerrado.

Nunca bloquee el espacio de flujo de ventilación alrededor de la parrilla.

Antes del encendido

Inspeccione la manguera de suministro de gas antes de abrir la botella de gas. Si hay evidencia de corte, desgaste o abrasión, debe reemplazarla inmediatamente. Asegúrese de que no haya fugas antes de su uso. No utilice la barbacoa si un olor a gas está presente.

Preparación antes de cocinar

Como medida de prevención de los alimentos y la conservación del grill, por favor cubrir los alimentos con una delgada capa de aceite para que no se peguen y sean fáciles de manejar. (Nota: cuando se cocina por primera vez, el color exterior puede cambiar un poco, esto es normal y de esperarse.)

Encendido de barbacoa:

1. Lea las instrucciones antes de usar el dispositivo
2. Abra la tapa
3. Asegúrese de que los mandos estén en la posición "●".
4. Conectar el regulador al cilindro, luego girar.
5. Presione y gire la palanca de control en la dirección opuesta de las manecillas de un reloj aproximadamente 1/4 de vuelta hasta oír un ruido seco y el quemador está encendido.
6. Ajuste la llama de la zona 1/4 a 1/2.
7. Si no se enciende en 5 segundos, gire la palanca de control a "●". Espere 5 minutos para permitir que el gas se disipe, después, repita el proceso de encendido.
8. Cierre la apertura del gas de la bombona de gas después de su uso.

Cambiar el lado del quemador:

Repita el paso 2, pero el uso de la perilla de control del quemador que desea encender.

Encendido con fósforo

Si el quemador no se enciende después de un tiempo, probar el encendido manual mediante el siguiente procedimiento:

1. Abra la tapa de la parrilla
2. Asegurarse de que todas las perillas de los quemadores estén en la posición "●".
3. Girar suavemente la botella de gas o regulador si no lo está ya.
4. Pon un fósforo sobre el porta fósforo.
5. Deslizar un fósforo encendido a través de las parrillas de cocción.
6. Pulse el mando y gire el quemador en la posición media.
7. Si el quemador no se enciende en 5 segundos, gire la perilla de control del quemador a la "●", esperar 5 minutos para permitir que el gas se vaya y vuelva a intentarlo.
8. Cuando se enciende, gire la perilla de control de la llama a la potencia que desea.

Sesión final de la cocción

Después del final de cada sesión de cocina, gire todas perillas de control de encendido de la barbacoa a "Max" durante 5 minutos.

Esto va a quemar los residuos de comida que quedan, lo que hará la limpieza fácil. Asegúrese de que se abra el capó durante este proceso. Cuando haya terminado de utilizar la barbacoa, cierre todas las válvulas de control completamente en el sentido de las agujas del reloj a la posición de apagado "●", a continuación, cierre la llegada de la botella de gas. Espere hasta que la barbacoa este lo suficientemente fría antes de cerrar el capó.

Consejos para una mejor cocción y ganar una esperanza de vida más larga para su barbacoa

1. Use la bandeja superior de la cocina (estufa) para mantener su comida caliente, tostar pan o cocinar una deliciosa comida en bolsas de aluminio.
2. Usa el quemador lateral como una cocina normal con rango de ebullición o de fritura.
3. Para reducir el riesgo de incendio, mantenga las parrillas limpias, use rebanadas delgadas de los alimentos y evitar la cocción a temperaturas muy altas.
4. Coloque cuidadosamente los alimentos como el pescado y verduras en papel de aluminio y no cocine directamente sobre ella ni lo coloque en la bandeja superior de la cocina (estufa).
5. Para evitar la pérdida de jugos naturales, utilice un cepillo largo o espátulas en lugar de tenedores y de vuelta a los alimentos una vez durante la cocción.
6. Cuando cocine directamente, ajuste sus quemadores a diferentes niveles, para que pueda cocinar platos diferentes a temperaturas diferentes de forma simultánea.
7. Ponga un poco de agua en su parrilla para evitar salpicaduras y hacer un jugo de carne. Antes de comenzar con la barbacoa, retire las parrillas de cocción. Llenar hasta la mitad con agua. Vuelva a colocar las parrillas de cocción y ponga comida sobre la cazuela que ha puesto en primer lugar.
8. Rostizar, cesta de la parrilla, rostizador vertical y otros accesorios pueden mejorar su experiencia, reducir el tiempo de cocción y ayudar a limpiar.
9. Limpiar las parrillas de cocción y los bastidores después de cada uso con un producto específico para sus parrillas para barbacoa. Use guantes de protección y retire con cuidado la acumulación de alimentos debido a que las rejillas están calientes.
10. Después de cada uso, permita que la parrilla se enfríe. Después, proteger y limpiar las rejillas de cocción, escurrir la grasa de la sartén, limpie el exterior de la zona con una producto de cocina que limpia y protege las superficies de la parrilla con una manta algún tipo de protección que protegerá su barbacoa /

Se recomienda utilizar una sartén con un tamaño de 180-260 mm para el quemador lateral.

Limpieza y Mantenimiento

Limpiar la barbacoa entre los usos y especialmente después de períodos de almacenamiento.

Asegúrese de que la barbacoa y sus componentes son suficientemente fríos antes de limpiarlo.

Nunca intente apagar la barbacoa con agua cuando su superficie está caliente.

Nunca toque las partes calientes con la mano sin guantes.

Con el fin de extender la vida útil manteniéndola en buenas condiciones, se recomienda que cubra completamente el producto cuando se deja fuera, especialmente durante los períodos de invierno.

1. Rejilla de cocción

Limpiar con agua y jabón. Para eliminar cualquier residuo de comida, use un limpiador suave crema limpiadora y no un limpiador abrasivo. Enjuague y seque completamente.

2. Mantenimiento del quemador

En el uso normal, quemar por completo los residuos después de la cocción mantendrá el quemador limpio. El quemador debe ser retirado y limpiado cada año, o en cualquier momento si usted ve que se forma una acumulación, asegúrese de que no hay bloqueos de residuos (basuras, insectos u otros) ya sea en el quemador o en los tubos. Use un limpiador de tuberías para limpiar cualquier obstrucción. Un cepillo de alambre se puede utilizar para eliminar la corrosión de la superficie de los quemadores.

Al poner los quemadores, tenga cuidado que todos los tubos del quemador se ajustan sobre las salidas de válvula.

3. El cuerpo de la parrilla

Evacuar regularmente el exceso de grasa del cuerpo de barbacoa con un plástico blando o un raspador de madera.

No es necesario eliminar toda la grasa del cuerpo de la barbacoa. Si es necesario limpiar completamente, use agua caliente jabonosa y una esponja o sólo una esponja de nylon. Retire las parrillas de cocción y los quemadores antes de limpiarlo. No sumerja los controladores de gas o controles de palancas de mando en el agua. Examine que el quemador todavía funciona después de haber reposicionado.

4. Verificación

Se recomienda una verificación anual de todo el equipo y bien apretar todas las piezas.

5. Almacenamiento

Guarde su barbacoa en un lugar seco y fresco. Cubrir los quemadores con papel de aluminio con el fin de impedir la llegada de insectos o escombros a los agujeros de los quemadores. Si la barbacoa se almacena en el interior, la botella de gas debe ser desconectado y dejarse afuera. La botella de gas siempre debe ser almacenada al aire libre en un lugar seco y bien ventilado y lejos de fuentes de calor o ignición. No permita que los niños jueguen cerca de la botella de gas.

Medidas de destrucción en conformidad con el medio ambiente

- Para tirar la barbacoa, desmontela por completo, para tenerla como al inicio. Reciclar las piezas de metal y plásticos.

Los electrodos de los quemadores pueden ser doblados o pueden bloquearse durante la limpieza.

Las posibles consecuencias son:

- El quemador no se enciende

Medidas de seguridad:

- Presta mucha atención al espacio a su alrededor cuando se limpia el quemador.



¡PRECAUCIÓN!
EL ELECTRODO DEL QUEMADOR SE
PUEDE DOBLAR

Solución de problemas

PROBLEMA	POSIBLE CAUSA	PREVENCION / REPARACION
El quemador no se enciende a pesar de la chispa	Los cables o los electrodos están cubiertos con restos de comida.	Limpiar los cables y / o electrodos con alcohol.
	Los electrodos y los quemadores están mojados	Seque con un paño
	Los electrodos están agrietados o rotos	Reemplace los electrodos
	Los cables están desconectados o rotos	Vuelva a conectar los cables o reemplazar el conjunto electrodo / cable.
	Los cables son demasiado cortos (hay chispas entre el encendedor y el electrodo)	Vuelva a colocar los cables y electrodos de ignición.
El quemador no se enciende ni con fósforo	No hay flujo de gas	Compruebe que la botella de gas no está vacía. Si este es el caso, reemplazar o llenar, pero dirígase al capítulo "caída repentina del flujo de gas o reducción de tamaño de la llama"
	La tuerca de unión y el regulador no está completamente conectados	Gire la tuerca de acoplamiento 1 ½ a 3/4, hasta llegar a un tope sólido. Apriete con las manos, no use herramientas.
	Hay una obstrucción del flujo de gas	Limpie los tubos de los quemadores, asegurese de que no están doblados o torcidos.
	Arañas o insectos en las tuberías	Limpiar las tuberías
	Puertos de los quemadores obstruidos o bloqueados	Limpiar los puertos del quemador
Gas baja de repente o llama reduce repentinamente	Ya no hay gas	Reemplazar o llenar el cilindro de gas.
	Exceso de flujo, puede que el modo seguridad se haya activado.	Gire las perillas de control a la posición OFF "●", espere 30 segundos y encienda la parrilla. Si las llamas siguen siendo bajas, reiniciar la función de seguridad girando el mando de control OFF "●" y la válvula del cilindro de gas en "abierto / cerrado" y desconecte el regulador. Gire la perilla de control a "ALTO", y espere un minuto. A continuación, gire la perilla de control a la posición OFF "●" y vuelva a conectar el regulador y compruebe las conexiones en busca de fugas. Gire suavemente el válvula del cilindro de gas "abierto / cerrado", espere 30 segundos y vuelva a encender la parrilla con las instrucciones encendidos.
Llama irregular, la llama no llena completamente el quemador	Los orificios del quemador están obstruidos o bloqueados	Limpiar los puertos del quemador.
La llama es de color amarillo o naranja	El quemador puede tener residuos de aceites de la fabricación	Encender la barbacoa y quemar los residuos durante 15 minutos con la tapa cerrada.
	Telarañas o insectos pueden estar presentes en las tuberías	Limpiar la unidad
	Residuos de comida, grasa o sal en el quemador.	Limpieza de los quemadores
	La desalineación de la válvula y de la inyección de conducción	Asegúrese de que las mangueras están correctamente conectados a los inyectores.
La llama se extingue	Vientos o ráfagas	No utilice la parrilla con vientos fuertes
	Poco gas en el cilindro	Reemplazar o llenar el tanque de gas
	Válvula de desbordamiento de cerrada	Vuelva a abrir la barbacoa
Fuego de grasa persistente	Grasa esta atrapada por la acumulación de alimentos en todo el sistema del quemador	Gire la perilla de control a la posición OFF "●", gire la perilla del cilindro de gas "ABIERTO CERRADO". Deje la tapa abierta y dejar que el incendio se extinga. Una vez que la parrilla esté fría, retire y limpie las piezas.
Regreso de la flama (la llama va hacia las tuberías)	Los tubos del quemador están obstruidos	Limpie los quemadores y mangueras
La cubierta interior se desmorona	La tapa está hecha de acero inoxidable, no se pinta Grasa cocida se convirtió en ligera capa de carbón y se despegó	Limpiar todo a fondo.

VENDITORE	GEOCIDS S.A. 32 RUE DE PARADIS 75010 PARIS			
Nome del prodotto	Festa 4		Referenza	1351_100054 (SRGG31707)
Numero PIN	1984CU9001		Σ Qn	10.5 kW (764 g/h)
Fornello principale Σ Qn:	7.2kW		Fornello laterale	3.3kW
Paese	Categoria	Misura dell'iniettore (Fornello principale)	Misura dell'iniettore (Fornello laterale)	Gas & Pressione
<input type="checkbox"/> AT <input type="checkbox"/> CH <input type="checkbox"/> DE <input type="checkbox"/> SK	I3B/P(50)	0.64 mm	0.79 mm	G30 Butane and G31 Propane at 50mbar
<input type="checkbox"/> BE <input type="checkbox"/> CY <input type="checkbox"/> DK <input type="checkbox"/> EE <input type="checkbox"/> FR <input type="checkbox"/> FI <input type="checkbox"/> HU <input type="checkbox"/> IT <input type="checkbox"/> LT <input type="checkbox"/> NL <input type="checkbox"/> NO <input type="checkbox"/> SE <input type="checkbox"/> SI <input type="checkbox"/> SK <input type="checkbox"/> RO <input type="checkbox"/> HR <input type="checkbox"/> TR <input type="checkbox"/> BG <input type="checkbox"/> IS <input type="checkbox"/> LU <input type="checkbox"/> MT	I3B/P(30)	0.74 mm	0.90 mm	G30 Butane and G31 Propane at 30mbar
<input type="checkbox"/> BE <input type="checkbox"/> CH <input type="checkbox"/> CY <input type="checkbox"/> CZ <input type="checkbox"/> ES <input type="checkbox"/> FR <input type="checkbox"/> GB <input type="checkbox"/> GR <input type="checkbox"/> IE <input type="checkbox"/> IT <input type="checkbox"/> LT <input type="checkbox"/> LU <input type="checkbox"/> LV <input type="checkbox"/> PT <input type="checkbox"/> SK <input type="checkbox"/> SI	I3+(28- 30/37)	0.74 mm	0.90 mm	G30 Butane at 28-30 mbar and G31Propane at 37mbar
PL	I3B/P(37)	0.68 mm	0.84 mm	G30 Butane and G31 Propane at 37mbar
<p>ATTENZIONE: Per un uso esclusivamente esterno. Se è immagazzinato all'interno, bisogna scollegare e lasciare la bombola di gas all'esterno. Leggere il manuale d'istruzione prima di utilizzare l'apparecchio. Spazio minimo che deve essere libero intorno all'apparecchio: 100cm</p> <p>PERICOLO: Dei componenti accessibili possono essere molto caldi. Bisogna tenere i bambini lontani.</p>				
FABBRICATO NELLA PRC				

Prima di iniziare

ATTENZIONE

- Leggere le istruzioni prima dell'uso. Eseguire i passaggi nell'ordine in cui sono indicati e prima di tutto controllare le misure di sicurezza.
- Il mancato rispetto delle istruzioni può danneggiare l'apparecchio o altri oggetti e anche far male alla persona.
- Queste istruzioni fanno parte del prodotto. Devono essere sempre risposte con l'apparecchio, e devono essere lette da tutti gli utilizzatori del prodotto.
- Nonostante sia portata la massima attenzione a eliminare tutti i bordi taglienti, ma bisogna in ogni caso fare attenzione per evitare ferite.
- Nel dubbio, consultare uno specialista qualificato prima dell'uso.
- **PORTARE LA MASSIMA ATTENZIONE ALLA PRIMA ACCENSIONE.** Mantenere la testa e le mani al riparo e lontane dalla superficie di cottura del barbecue.
- Assicurarsi **SEMPRE** che il barbecue sia completamente raffreddato prima di coprirlo con un telone.
- Durante il montaggio, utilizzare unicamente i pezzi forniti nella confezione. Non modificare in nessun caso il barbecue o una delle sue parti. Qualsiasi modifica dell'apparecchio può essere pericolosa.



**NON UTILIZZARE IN LUOGHI CHIUSI,
USARE ESCLUSIVAMENTE
ALL' APERTO**

DA FARE

- Mantenere il prodotto pulito (seguire le istruzioni) – Per evitare grandi fiammate, che potrebbero provocare bruciature gravi o danneggiare la vostra proprietà, è di vitale importanza che l'apparecchio sia pulito prima dell'uso.
- Mantenere l'apparecchio in un luogo sicuro su una superficie piana, lontano da materiale infiammabile.
- Proteggere dall'umidità.
- Un adulto deve essere responsabile del barbecue. Non lasciare mai il barbecue caldo senza sorveglianza.
- Assicurarsi sempre che il barbecue sia completamente spento, il circuito vuotato da residui di gas e raffreddato prima di postarlo. Coprire con un telone (non incluso) o riporlo al riparo dai cambiamenti meteorologici.

DA NON FARE

- Non utilizzare in spazi chiusi, utilizzare solamente all'aperto.
- **ATTENZIONE! MAI RIPORRE** il barbecue al chiuso prima che sia completamente raffreddato e scollegato dall'arrivo del gas.
- Non installare il barbecue su superfici che possano essere danneggiate dal calore
- Questo apparecchio funziona a gas, non bisogna utilizzare qualsiasi altro tipo di combustibile come benzina, alcool o cubi accendi fuoco.

PRUDENZA!

- Mantenere l'apparecchio fuori dalla portata dei bambini e degli animali, durante e dopo l'uso.
- Non tenere benzina o vapori/liquidi infiammabili nel barbecue
- Questo apparecchio diventa molto caldo durante l'uso – portare dei vestiti adatti durante l'uso.
- **ATTENZIONE:** le parti accessibili del barbecue possono diventare molto calde, allontanare i bambini dall'apparecchio.
- Chiudere l'arrivo di gas sulla bombola alla fine dell'utilizzo.
- **SEMPRE** chiudere e scollegare l'apparecchio dall'arrivo del gas dopo l'uso e prima di riporlo.
- **NON POSTARE L'APPARECCHIO DURANTE L'USO.**

PERICOLO!

Se senti odore di gas:

1. Scollegare l'arrivo del gas dall'apparecchio
2. Spegnerne tutte le fiamme e evitare l'uso di qualsiasi apparecchio elettrico
3. Aprire il coperchio e aerare abbondantemente
4. Controllare tutti i flessibili e le connessioni con acqua insaponata
5. Se l'odore persiste, contattare immediatamente il fornitore del gas o i pompieri.

Informazioni supplementari

Per un buon utilizzo:

Questo barbecue è un apparecchio a gas per uso esterno. È destinato ad essere usato esclusivamente secondo queste istruzioni per preparare alimenti compatibili con la cottura al barbecue. Esclusivamente per un uso privato!

Questo apparecchio deve essere allontanato il più possibile da qualsiasi prodotto infiammabile durante l'uso.

Controllare possibili fughe dai serbatoi dopo ogni utilizzo, o dopo un primo utilizzo dopo un lungo periodo di stoccaggio, con il metodo descritto al punto "Collegare e scollegare la bombola di gas".

Il barbecue deve essere totalmente pulito e controllato regolarmente, pulire e controllare regolarmente il tubo prima di ogni utilizzo. In caso di segni di usura, tagli o fughe, il tubo deve essere sostituito prima dell'uso dell'apparecchio.

Utilizzare esclusivamente i pezzi forniti col prodotto. L'uso di altri pezzi può essere pericoloso.

Durante la cottura, degli estintori devono essere accessibili.

In caso di fiammate causate da grassi, non tentare di spegnere il fuoco con dell'acqua. In caso di grandi fiamme, usare estintori di tipo B o C oppure del bicarbonato di sodio.

Installare e utilizzare il prodotto sulla terra ferma, non installarlo e non usarlo mai su barche o vetture.

Aprire sempre il coperchio del barbecue, lentamente e facendo attenzione dato che il calore e il gas possono essere imprigionati e possono provocare gravi bruciature.

Allontanare il tubo del gas il più possibile dalle superfici calde e coperte di grasso caldo.

Mantenere qualsiasi cavo elettrico lontano dal barbecue caldo.

Chiudere l'arrivo del gas dalla bombola dopo l'utilizzo.

Per manipolare elementi caldi, usare dei guanti.

Uso scorretto:

Qualsiasi uso diverso da quello inteso per il prodotto è vietato. Ciò vale particolarmente per l'uso abusivo del prodotto, come gli esempi seguenti:

- Non usare il barbecue con carbone o altro combustibile che non sia GPL
- Non usare il barbecue come una cucina, utilizzando pentole e padelle.
- Non usare il barbecue come riscaldamento.
- Non modificare il prodotto
- Le parti sigillate dal produttore non devono essere alterate dall'utilizzatore.
- Non usare il barbecue per scaldare materiali o sostanze che non siano alimenti compatibili con la cottura al barbecue.

Il barbecue è stato prodotto rispettando le regole di ingegneria – convalidate al momento della produzione – e le necessità del marcaggio CE. ~~Il barbecue ha lasciato la fabbrica in buono stato e in buone condizioni intermini di funzionamento e sicurezza~~

- Non usare una bombola di gas danneggiata.
- Non riporre la bombola di gas sotto o vicino al prodotto.
- Il consumo di alcool o di medicinali può alterare la capacità di assemblare correttamente e in sicurezza il prodotto.

- Non usare carbone, alcool o liquido combustibile, kerosene, benzina o qualsiasi altro combustibile con questo apparecchio.
- Non riporre e non usare benzina o altri combustibili senza mantenere una distanza di sicurezza (7 metri) dal prodotto.
- Mantenere l'apparecchio a una distanza minima di 1-2 metri da qualsiasi struttura infiammabile. Non usare sotto a materiali o superfici infiammabili.



PRUDENZA! SUPERFICI PRINCIPALI E SECONDARIE MOLTO CALDE

Alcune parti del barbecue possono diventare molto calde durante l'uso, soprattutto quelle vicino alle fiamme.

Possibili conseguenze:

- Bruciature gravi toccando le parti vicino alle fiamme.
- Sostanze o materiali infiammabili vicine al barbecue possono incendiarsi.

Misure di sicurezza prima dell'uso:

Per scegliere un luogo dove installare il barbecue, bisogna:

- Che non ci siano, al momento o in futuro, materiali o sostanze infiammabili nelle vicinanze. Una certa distanza deve essere presente tra questi materiali e il barbecue: lontano da un soffitto, almeno un metro di distanza da qualsiasi muro o parete.
- Il barbecue deve essere posizionato solidamente su una superficie grande. Non deve essere spostato durante l'uso.

Misure di sicurezza durante l'uso:

- Portare dei guanti protettivi
- Non lasciare mai il barbecue senza sorveglianza.
PORTARE UN'ATTENZIONE PARTICOLARE A CHE BAMBINI E ANIMALI RESTINO LONTANI DAL BARBECUE.
- Mai posizionare la bombola di gas affianco al barbecue. Posizionare la bombola sempre sul lato retro sinistro del prodotto. La bombola deve essere il più lontano possibile dal barbecue, ma evitando di tirare il tubo. Nessuna parte del tubo deve toccare il prodotto.



PRUDENZA! IL GAS È ALTAMENTE INFIAMMABILE

Il gas è altamente infiammabile ed esplosivo.

Possibili conseguenze:

- Gravi infortuni e danni alla proprietà in caso di perdita e incendio in ambiente non controllato.

Misure di sicurezza:

- Usare il barbecue esclusivamente all'esterno e assicurarsi che il luogo sia ben ventilato.
- Proteggere la bombola e il tubo dall'esposizione diretta al sole e ad altre fonti di calore (massimo 50°C). Assicurarsi che il tubo del gas non tocchi nessuna parte calda del barbecue.
- Non posizionare la bombola su una mensola bassa, soprattutto se è vicina al fornello.

- Non sporgersi sopra al barbecue durante l'accensione della fiamma.
- Chiudere la valvola della bombola di gas dopo ogni utilizzo: (girare la valvola nel senso delle lancette di un orologio). Inoltre, chiudere le manopole del gas (girare le manopole nel senso delle lancette di un orologio fino in fondo).
- Non lasciare mai il barbecue caldo senza sorveglianza. Se la fiamma si spegne, riaccenderla immediatamente o staccare l'arrivo del gas.
- Al collegare la bombola di gas, assicurarsi che non ci siano fonti di scintille in un raggio di 5 metri. Fare attenzione a non accendere nessuna fiamma, non fumare e non utilizzare apparecchi elettronici per evitare possibili esplosioni.
- Prima di ogni uso, assicurarsi che tutti i collegamenti dove passa il gas siano sigillati e intatti.
- Se necessario, assicurarsi di sostituire il tubo secondo la normativa nazionale (usare degli stringitubo per collegare il tubo al regolatore e al barbecue).

Se i collegamenti del gas sono porosi o difettuosi, il barbecue non deve essere utilizzato. Ciò si applica anche al tubo o ai raccordi che possono essere ostruiti, e questo può provocare un grande rischio di incendi gravi.



Il gas è più pesante che l'ossigeno. Per questa ragione il gas resta al suolo e sposta l'ossigeno verso l'alto.

Possibili conseguenze:

- Soffocamento risultante dalla mancanza di ossigeno, se la concentrazione di gas è importante.

Non usare il barbecue fino a quando non è completamente montato e tutte le parti sono montate e fissate con sicurezza.

Non lasciare mai il barbecue acceso senza sorveglianza, e mantenere bambini e animali lontani dal barbecue ad ogni momento.

Non spostare il barbecue durante l'uso.

Non coprire mai completamente l'intera zona di cottura.

Non bloccare mai l'apertura di ventilazione del compartimento cilindrico.

Non usare utensili elettrici per montare il prodotto.

Non stringere eccessivamente le viti e i bulloni.

Non sederti o stare in piedi sul prodotto.

Non utilizzare il prodotto se alcune parti sono mancanti, difettuose, o sbagliate.

Non utilizzare mai spugne, abrasivi o detersivi chimici.

Montaggio

Leggere attentamente le istruzioni prima del montaggio o dell'utilizzo del materiale.

Prudenza: Nonostante tutti gli sforzi fatti per eliminare i lati taglienti, manipolare con cura tutti i componenti per evitare possibili incidenti.

Montare il barbecue implica un gran numero di parti; si consiglia di non essere soli per montare il prodotto.

Quando si è pronti per iniziare il montaggio, controllare di avere a disposizione gli utensili necessari, montare spazio e un luogo asciutto e pulito.

Per evitare di perdere dei componenti, assemblare il prodotto in uno spazio grande che non comporta fessure o aperture.

Per evitare di danneggiare il pavimento, montare il prodotto su una superficie resistente.

Verificare il pacchetto per assicurarsi di avere tutti i pezzi e le parti necessarie.

Controllare tutte le volte che è necessario la lista delle parti e le istruzioni di montaggio.

Durante l'assemblaggio, i bambini devono essere allontanati per evitare ogni rischio di infortunio.

Assicurarsi di aver tolto tutte le pellicole di protezione prima dell'assemblaggio.

Seguire ogni passaggio nell'ordine per assemblare correttamente il prodotto.

Non forzare l'assemblaggio di certi pezzi per evitare infortuni o di danneggiare il prodotto. Se necessario, stringere tutti i collegamenti a mano e, una volta superato il passaggio, ripassare e stringere fino in fondo tutto il materiale.

Assicurarsi che il prodotto sia assemblato come da illustrazione prima dell'uso.

Numero di persone richieste per il montaggio

Due persone per il montaggio e il trasporto.

Tempo di montaggio



1.5 hour

Utensili necessari



Non
incluso



Non
incluso



Non
incluso

Collegare e scollegare la bombola di gas

Oggetti e utensili necessari

- Una bombola di gas – Una bombola di GPL da 5 a 13 kg (propano o butano). Questo gas è disponibile nei negozi di fidejussure o presso i fornitori di gas.
- I seguenti pezzi non sono inclusi nel prodotto in quanto dipendono dalle norme nazionali.
- Il tubo flessibile viene approvato ai sensi di EN16436-1:2014 con sufficiente lunghezza, permettendo l'installazione senza nessun capriccio (Lunghezza non deve eccedere 1,5 m). Il tubo flessibile deve essere visibile prontamente in tutta la sua lunghezza per ispezione dopo l'installazione.
- Regolatore di pressione – conforme alla norma CE, il regolatore riduce la pressione della bombola di gas all'uscita del gas. Questo prodotto può essere disponibile presso il vostro rivenditore abituale.
- Regolatore del gas viene approvato ai sensi di EN 16129:2013 con giusta capienza(g/h), pressione, temperatura di lavoro e connessione d'ingresso+uscita per il paese di destinazione.



Istruzioni d'accensione :

1. Leggere il manuale d'istruzione prima di accendere l'apparecchio.
2. Aprire il coperchio.
3. Assicurarsi che le manopole di controllo siano sulla posizione "."
4. Collegare il regolatore con la bombola di gas, poi accendere.
5. Premere e girare la manopola di controllo nel senso antiorario a 1/4 della distanza totale finché si sente un clic e finché il fornello sia acceso.
6. Regolare la fiamma tra la zona 1/4 e 1/2 .

ATTENZIONE

Per un uso esclusivamente esterno.
Se non c'è accensione nei 5 secondi, rimettere la manopola di controllo su ".". Aspettare 5 minuti per lasciare il gas disperdersi poi ripetere la procedura d'accensione.
I componenti accessibili possono essere molto caldi, bisogna tenere i bambini lontani.
Scollegare il regolatore dalla bombola di gas quando l'apparecchio non è in uso da tanto tempo.

ATTENZIONE

Il coperchio deve essere aperto quando il fornello è acceso o caldo.
Peso massimo sul ripiano laterale: 6.8KG / 15LB



Il gas, liquido o no, è altamente infiammabile ed esplosivo.

Possibili conseguenze:

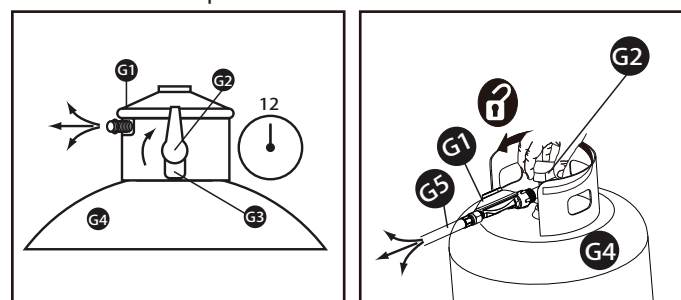
- Gravi infortuni e danni alla proprietà in caso di perdita e incendio in ambiente non controllato.

Misure di sicurezza:

- Quando si collega la bombola di gas, assicurarsi che non ci siano scintille in un raggio di 5 metri.
- Fare particolarmente attenzione a non accendere nessuna fiamma, a non fumare e a non accendere nessun apparecchio elettrico (luce, campanello, apparecchiature varie, ecc.) per evitare possibili esplosioni.
- Se necessario, assicurarsi di sostituire il tubo rispettando le normative nazionali.
- Assicurarsi che il flessibile sia collegato in modo che non ci siano fughe o torsioni di nessun tipo.
- Non occludere l'apertura di ventilazione del compartimento della bombola.

Elementi operativi :

POSITION	DESCRIPTION	FUNCTION
G1	Regulator	Reduce gas pressure
G2	Operating lever/ Cylinder valve	Separate safety facility with 2 settings: 9 o'clock setting or rotate clockwise to the end: Turn the gas off and connect/disconnect the gas bottle. 12 o'clock setting or rotate anti-clockwise to the end: Gas on
G3	Release button	Disconnect the regulator from the bottle valve
G4	Gas bottle with bottle valve	Fuel container
G5	Gas hose with hose clip	Direct gas to burner

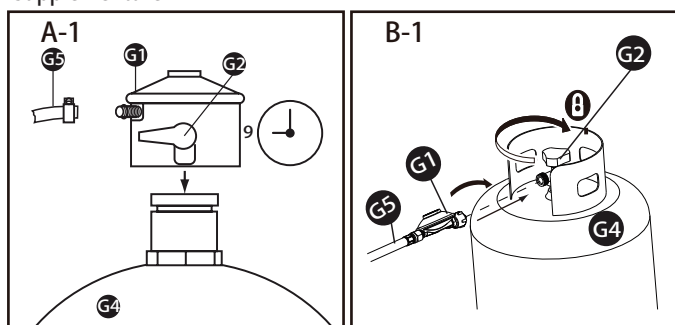


Funzionamento :

- Se la valvola della bombola (G2 in posizione verticale, oppure girare in senso antiorario fino in fondo) e la manopola di controllo è aperta, il gas circolerà attraverso il tubo del gas G5 e attraverso il dispositivo di regolamento (sotto al pannello frontale) del fornello.
- Raggiungendo la posizione ¼ di ogni manopola di controllo, una scintilla si sprigionerà dall'elettrodo del fornello accendendo il gas. La potenza del calore può essere regolata a sinistra, centro e destra girando la manopola dalla posizione ¼ alla posizione ½.

Note

- Se il barbecue non è utilizzato per un lungo periodo, chiudere la manopola della bombola e riparla correttamente. Scollegare il regolatore dalla bombola di gas. La bombola deve essere immagazzinata all'aperto.
- Mettere sulla bombola del gas un dado chiuso per assicurare la chiusura. Si consiglia l'utilizzo di un cappuccio di sicurezza supplementare.

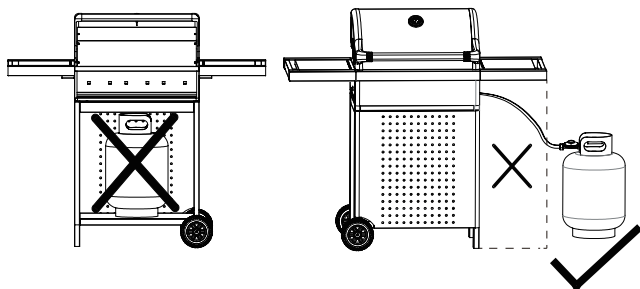


Collegare e scollegare la bombola di gas

1. Scegliere una posizione consono all'installazione del barbecue. Assicurarsi che:

- Non ci siano, al momento e in futuro, materiali infiammabili o sostanze simili a prossimità. Mantenere una certa distanza da qualsiasi materiale o sostanza: 2 metri davanti e dietro e metro sui lati; mantenere a una distanza di minimo 6 metri da materiali e sostanze infiammabili.

2. Posizionare la bombola G4 vicino al barbecue. Non mettere mai la bombola del gas affianco o sul ripiano. Il tubo del gas G5 non deve essere piegato o compresso.



3. Assicurarsi che la bombola di gas G4 e il regolatore G1 siano in buone condizioni. Inoltre, verificare che la tenuta della valvola sia intatta. Non utilizzare altri collegamenti.

4. Ruotare la manopola G2 fino alla posizione delle ore 9:00 e premere la valvola di regolazione G1 sulla bombola del gas G4 fino a sentire un clic.

5. Assicurarsi che tutto sia collegato correttamente tirando verso l'alto il regolatore G1. Il regolatore non si deve disconnettere dalla valvola della bombola.

6. Controllare il collegamento tra il G1 regolatore e la valvola del tubo del gas G5 per assicurarsi che tutto sia sicuro.

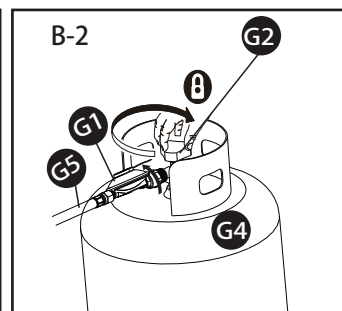
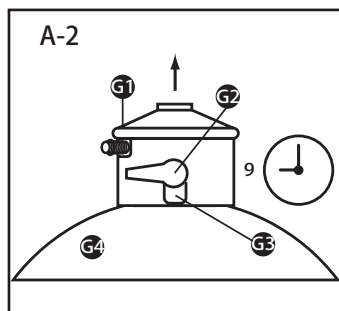
7. Aprire la bottiglia ruotando la manopola di G2 sulla posizione delle ore 12. Utilizzare un rilevatore di perdite standard per assicurarsi che tutti i collegamenti siano a tenuta. Un errore a questo livello può portare ad un incendio. Si prega di osservare le istruzioni del rilevatore di perdite. Mai verificare eventuali perdite con una fiamma. Rilevare una perdita a orecchio non è un buon metodo di rilevazione.

Verificare che tutte le manopole della griglia siano chiusi, in posizione ". ". Aprire la valvola sulla bombola. Assicurarsi che non vi siano perdite mettendo una soluzione di acqua e sapone su tutti i giunti che portano il gas, tra cui tutte le valvole di collegamento, collegamenti dei tubi e le connessioni del regolatore. **NON USARE MAI UNA FIAMMA PER VERIFICARE POSSIBILE PERDITE.** Se le bolle si formano sulla parte esterna di tubi e guarnizioni del serbatoio significa che c'è una perdita. Se il collegamento non è a tenuta, chiudere immediatamente la valvola della bombola (G2: ruotare la manopola alla posizione ore 9) e stringere la connessione o sostituire la parte con la perdita. Ripetere spesso la prova di tenuta, e ogni volta che la bombola del gas viene riparata o sostituita.



Chiusura della bombola (Fig. 2-A, 2-B)

1. Chiudere la valvola della bombola (ruotare la manopola operativo G2 alla posizione ore 9)
2. Premere il pulsante G3 e tirare il regolatore G1 verso l'alto. Oppure ruotare la manopola in senso antiorario una valvola orologio G1 per chiudere il regolatore G1.
3. Conservare il regolatore G1 con il tubo del gas sotto il grill. Assicurarsi che il tubo non sia piegato o attorcigliato in alcun modo.
4. Conservare la bombola del gas in modo corretto:
 - Mettere sulla bombola un dado chiuso e stringere per assicurarsi della chiusura e che non ci siano perdite. Si consiglia di mettere un cappuccio di sicurezza supplementare.
 - Non conservare la bombola del gas in scantinati o vicino alle scale, corridoi o vicino attraversamenti pedonali e auto tra edifici. Conservare sempre la bottiglia all'esterno.
 - Conservare sempre la bottiglia del gas in posizione verticale, anche se è vuota!



Utilizzo

ATTENZIONE

Prima di continuare, assicurarsi di aver assemblato il prodotto secondo le istruzioni.

Utilizzare la griglia ad almeno 1 metro da qualsiasi parete. Non usare mai il grill a gas in un edificio, garage, capannone, o altro spazio chiuso.

Non bloccare la ventilazione intorno al barbecue.

Prima dell'accensione

Controllare il tubo di alimentazione prima di aprire la bombola del gas. Se vi sono prove di taglio, usura o abrasione, è necessario sostituirlo subito. Assicurarsi che non vi siano perdite prima dell'uso. Non utilizzare il barbecue se l'odore di gas è presente.

Preparazione prima di cucinare

Si prega di coprire il cibo con un leggero strato di olio in modo che non si attacchino. (Nota: quando si cucina per la prima volta, il colore esterno può cambiare un po', questo è normale e prevedibile.)

Accensione del barbecue :

1. Leggere le istruzioni prima dell'uso
2. Aprire il coperchio
3. Assicurarsi che le manopole siano in posizione « ● ».
4. Collegare il regolatore alla bombola e accendere.
5. Premere e ruotare la manopola di comando nella direzione opposta della lancetta dell'orologio di circa 1/4 di giro fino a sentire un clic e il bruciatore è acceso.
6. Regolare la fiamma da 1/4 a 1/2.
7. Se l'accensione non avviene entro 5 secondi, girare la manopola di comando "●". Attendere 5 minuti per consentire al gas di disperdersi e ripetere la procedura accensione.
8. Chiudere l'arrivo del gas dalla bombola dopo l'uso.

Cambiare lato del fornello:

Ripetere dal punto 2, ma utilizzare la manopola di regolazione del bruciatore che si desidera accendere.

Accensione con un fiammifero

Se il fornello non si accende dopo un po', provare l'accensione manuale seguendo la procedura di seguito :

1. Aprire il coperchio del barbecue
2. Assicurarsi che tutte le manopole dei fornelli sono in posizione « ● ».
3. Aprire delicatamente la bombola del gas o il regolatore, se non è già stato fatto.
4. Mettere un fiammifero sull'apposito supporto.
5. Utilizzare il supporto per far schivolare la parte accesa del fiammifero attraverso le griglie di cottura e prima che il calore sarà sul lato sinistro del bruciatore che si desidera accendere.
6. Premere e ruotare la manopola in posizione 1/2.
7. Se il bruciatore non si accende entro 5 secondi, ruotare la manopola di controllo del fornello alla "●", attendere 5 minuti per consentire al gas di andare via e provare di nuovo.
8. Quando si accende, ruotare la manopola di controllo per regolare la fiamma alla potenza desiderata.

Si raccomanda di usare una padella con una dimensione di 180-260 mm per il fornello laterale.

Fine della cottura

Dopo la fine di ogni sessione di cottura, ruotare tutte le manopole di controllo del barbecue a "Max" per 5 minuti. Questo permette di bruciare i residui di cibo, facilitando la pulizia. Assicurarsi che il coperchio sia aperto durante questo processo. Quando avete finito di usare il barbecue, girare completamente tutte le valvole di controllo in senso orario in posizione OFF "●", quindi chiudere l'arrivo della bombola del gas. Attendere che il barbecue sia sufficientemente freddo prima di chiudere il coperchio.

Consigli per una migliore cottura e allungare la durata del vostro barbecue

1. Utilizzare il cestello superiore della cottura (stufa) per mantenere il cibo caldo, tostare il pane o cucinare deliziosi cibi in sacchetti di alluminio.
2. Utilizzare il fornello laterale come una cucina normale per bollire o friggere.
3. Per ridurre il rischio di incendio, mantenere la griglia pulita, utilizzare fette sottili di cibo ed evitare la cottura a temperature molto elevate.
4. Posizionare con cura il cibo come pesce e verdure in un foglio di alluminio e non direttamente sopra la cottura o posizionarlo sul cestello superiore della cottura (stufa).
5. Per evitare di perdere succhi naturali, utilizzare una spatola al posto delle forche e girare il cibo durante la cottura.
6. Durante la cottura diretta, regolare i fornelli a diversi livelli, in modo da poter cucinare piatti diversi a diverse temperature, allo stesso tempo.
Mettere un po' d'acqua sulla griglia per evitare la frammentazione e fare un sugo. Prima di iniziare con il barbecue, rimuovere le griglie di cottura. Riempire a metà con acqua. Sostituire le griglie di cottura e mettere il cibo sul piatto.
7. Girarrosto, cesto di griglia, spiedo verticale e altri accessori possono migliorare le vostre esperienze e ridurre i tempi di cottura.
8. Pulire le griglie di cottura e rastrelliere dopo ogni utilizzo con un prodotto specifico per le griglie per barbecue. Indossare guanti protettivi e rimuovere delicatamente l'accumulo di cibo perché le griglie sono calde.
9. Dopo l'uso, lasciare che la griglia si raffreddi. Poi, proteggere e pulire le griglie di cottura, scolare il grasso dalla padella, pulire l'esterno della zona con un prodotto da cucina e proteggere le superfici della griglia con una protezione adeguata/

Pulizia e manutenzione

Pulire il barbecue regolarmente e soprattutto dopo periodi di stoccaggio.

Assicurarsi che il barbecue e i suoi componenti siano sufficientemente freddi prima della pulizia.

Mai spegnere il barbecue con l'acqua quando la sua superficie è calda.

Mai toccare le parti calde senza guanti.

Al fine di estendere la durata del di vita e il mantenimento in buone condizioni del barbecue, si consiglia vivamente di coprire completamente il prodotto è all'esterno, specialmente durante i periodi invernali.

1. Griglia di cottura

Pulire con acqua e sapone. Per rimuovere eventuali residui di cibo, utilizzare un detergente delicato o crema detergente e non abrasiva. Risciacquare e asciugare accuratamente.

2. Manutenzione del fornello

Nell'uso normale, bruciando completamente il residuo dopo la cottura manterrà il fornello pulito. Il bruciatore deve essere rimosso e pulito ogni anno, o in qualsiasi momento se si vede una forma di deposito, assicurarsi che non vi sia alcun segno di ostruzione (detriti, insetti o altro). Utilizzare uno scovolino per pulire eventuali ostruzioni. Una spazzola metallica può essere usata per rimuovere la corrosione della superficie del bruciatore. Quando metti i fornelli, fare attenzione che tutti i tubi corrispondano alle valvole di uscita.

3. Il corpo del barbecue

Regolarmente rimuovere il grasso in eccesso dal corpo barbecue con una spatola in plastica o legno tenero.

Non è necessario rimuovere tutto il grasso dal barbecue. Se è necessario pulire completamente, utilizzare acqua calda e sapone e una spugna o solo una spugna di nylon. Rimuovere le griglie di cottura e bruciatori prima di pulire. Non immergere i controllori del gas o le manopole in acqua. Controllare se i fornelli funzionano ancora dopo aver riposizionato.

4. Controllo

Si raccomanda un controllo annuale e un'eventuale stringimento dei collegamenti.

5. Stoccaggio

Conservare il barbecue in un luogo asciutto e fresco. Coprire i fornelli con un foglio di alluminio per evitare l'arrivo di insetti o altri detriti nei fori. Se il barbecue verrà conservato all'interno, la bombola del gas deve essere scollegata e lasciata fuori. La bombola del gas deve sempre essere conservata all'aperto in un luogo asciutto e ben ventilato lontano da fonti di calore o di accensione. Tenere la bombola lontano dalla portata dei bambini.

Misure di distruzione in conformità con l'ambiente

- Per gettare il barbecue, smontarlo completamente, per avere come in principio tutti i pezzi separati. Riciclare parti in metallo e plastica.

Gli elettrodi dei bruciatori possono essere piegati o possono bloccarsi durante la pulizia.

Le possibili conseguenze sono:

- Il fornello non si accende

Misure di sicurezza:

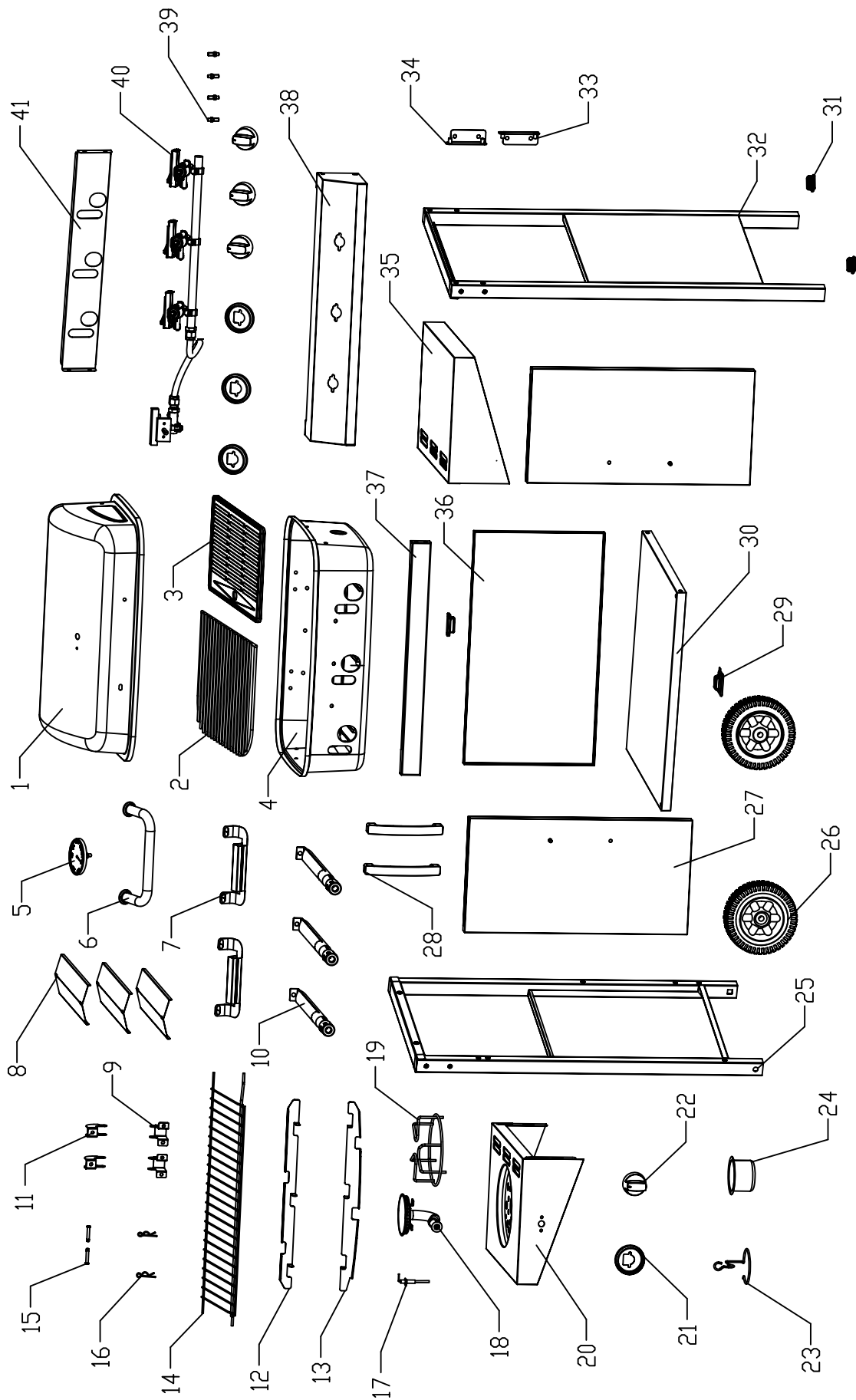
- Prestare particolare attenzione allo spazio intorno a te quando si pulisce il bruciatore.



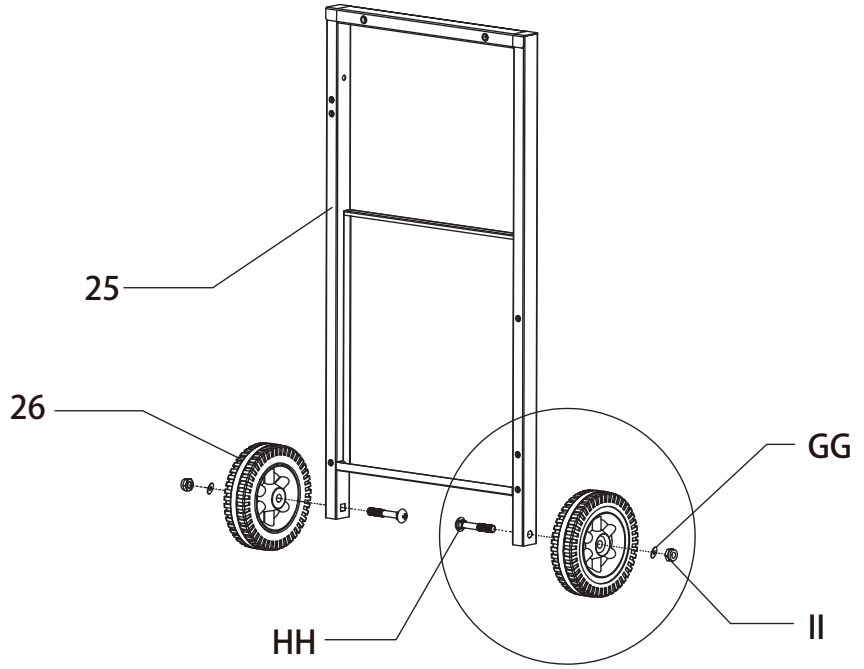
PRUDENZA !
GLI ELETTRODI DEL FORNELLO
POSSONO PIEGARSI

Risoluzione dei problemi

PROBLEMA	CAUSE POSSIBILI	PREVENZIONE / REPARAZIONE
Il bruciatore non si accende, nonostante la scintilla	I cavi o gli elettrodi sono ricoperti di avanzi di cibo	Pulire i cavi e / o elettrodi con alcool.
	Gli elettrodi e i fornelli sono bagnati	Asciugare con un panno
	Gli elettrodi sono incrinati o rotti	Sostituire gli elettrodi
	I cavi sono scollegati	Ricollegare i cavi o sostituire l'elettrodo / filo.
	I cavi sono troppo corti (si formano scintille tra l'accenditore e l'elettrodo)	Sostituire i fili , l'accenditore e gli elettrodi.
Il bruciatore non si accende nonostante l'uso del fiammifero	Non vi è alcun flusso di gas	Verificare che la bombola del gas non sia vuota. Se questo è il caso, sostituire o riempirlo, ma si riferiscono a "calo improvviso nel flusso di gas o ridotto di fiamma"
	Il dado di accoppiamento e il regolatore non sono collegati completamente	Ruotare il dado di accoppiamento 1 ½ a 3/4 oltre ad avere un arresto solido. Non stringere con le mani, non utilizzare utensili.
	C'è un'ostruzione del flusso di gas	Pulire i tubi del bruciatore Pulire, assicurarsi che non siano piegati o contorti.
	Presenza di ragno i ragnatele nei condotti	Pulire l'unità
	Fori dei fornelli ostruiti o bloccati	Pulire i fori del bruciatore
Gas diminuisce improvvisamente o fiamme improvvisamente ridotte	Fine del gas	Sostituire o riempire la bombola del gas.
	Flusso eccessivo, la modalità di protezione può essersi attivata.	Ruotare le manopole di controllo su OFF "●", attendere 30 secondi e la accendere il barbecue. Se le fiamme sono ancora basse, riavviare la sicura ruotando la manopola di comando OFF "●" e la valvola della bombola su "chiuso / aperto" e scollegare il regolatore. Ruotare la manopola di controllo a "HIGH", e attendere un minuto. Poi girare la manopola di controllo su OFF "●" e ricollegare il regolatore e controllare i collegamenti non vi siano perdite. Delicatamente ruotare il valvol della bombola del gas su "aperto", attendere 30 secondi e accendere la griglia seguendo le istruzioni.
Fiamma irregolare, la fiamma non riempie il fornello	I fori del fornello sono ostruiti	Pulire i fori dei fornelli.
La fiamma è gialla o arancione	Nel fornello possono esserci residui di olio di produzione	Accendere il fornello e bruciare i residui per 15 minuti a coperchio chiuso.
	Delle ragnatele o degli insetti posso essersi introdotti nei condotti	Pulire i condotti
	Residui alimentari, grasso o sale sul fornello	Pulire il fornello
	Allineamento spagliato della valvola con l'iniettore	Assicurarsi che i condotti del fornello siano collegati correttamente agli iniettori.
La fiamma si spegne	Vento forte o raffiche	Non usare il barbecue in caso di vento forte.
	Poco gas nella bombola	Sostituire o riempire la bombola di gas
	Valvola di troppo pieno scollegata	Riaprire il barbecue
Fuoco da grasso persistente	Il grasso è intrappolato da un accumulo di cibo intorno al fornello	Ruotare la manopola di controllo su OFF "●", ruotare la manopola della bombola di gas su "CHIUSO". Lasciare il coperchio aperto e lasciare che il fuoco bruci. Una volta che la griglia è fredda, rimuovere e pulire le parti.
Ritorno di fiamma	I tubi del fornello sono bloccati	Pulire i fornelli e i tubi
L'interno del coperchio si sgretola	Il coperchio è in acciaio inox e non è pitturato	Il grasso cotto si trasforma in un leggero strato di carbone. Pulire tutto accuratamente.



1



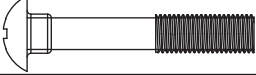
not supplied

GG x2 D10

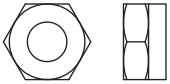


not supplied

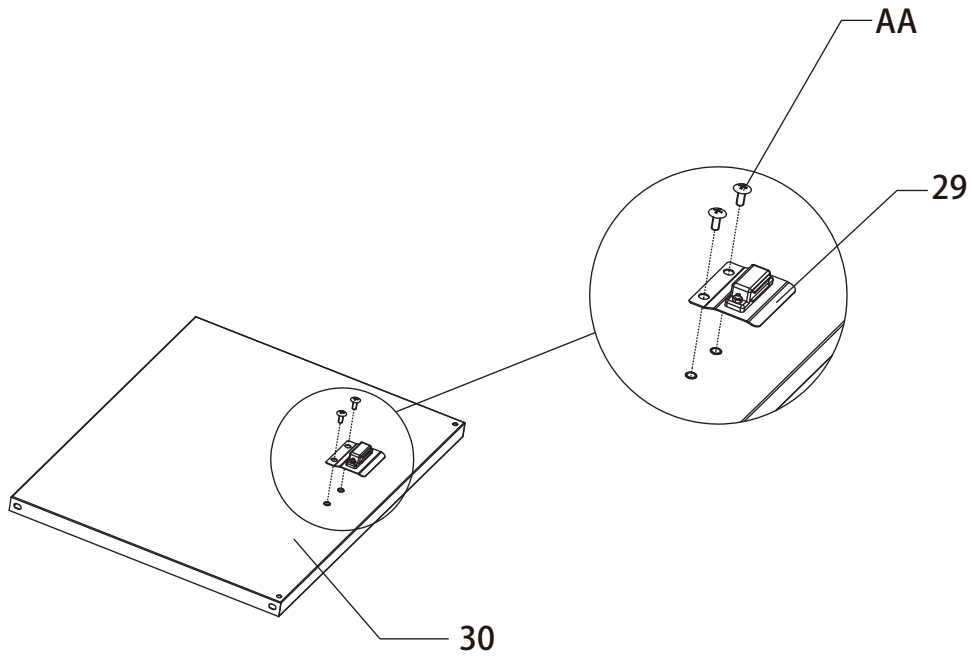
HH x2 M10X65



II x2 M10

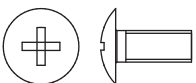


2

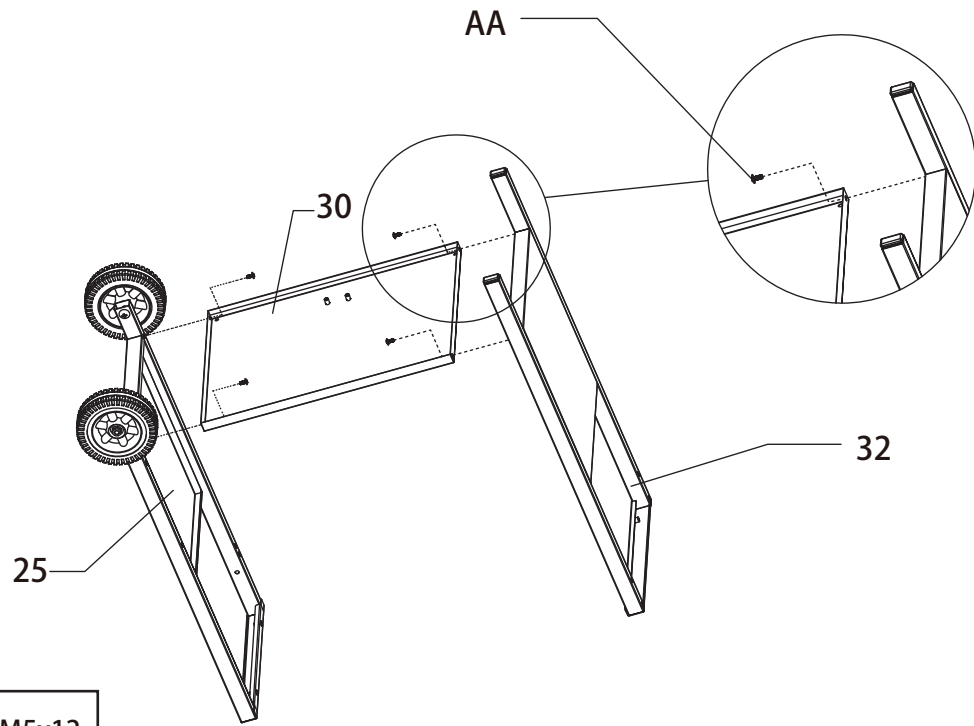


not supplied

AA x2 M5x12

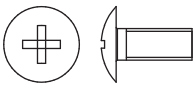


3

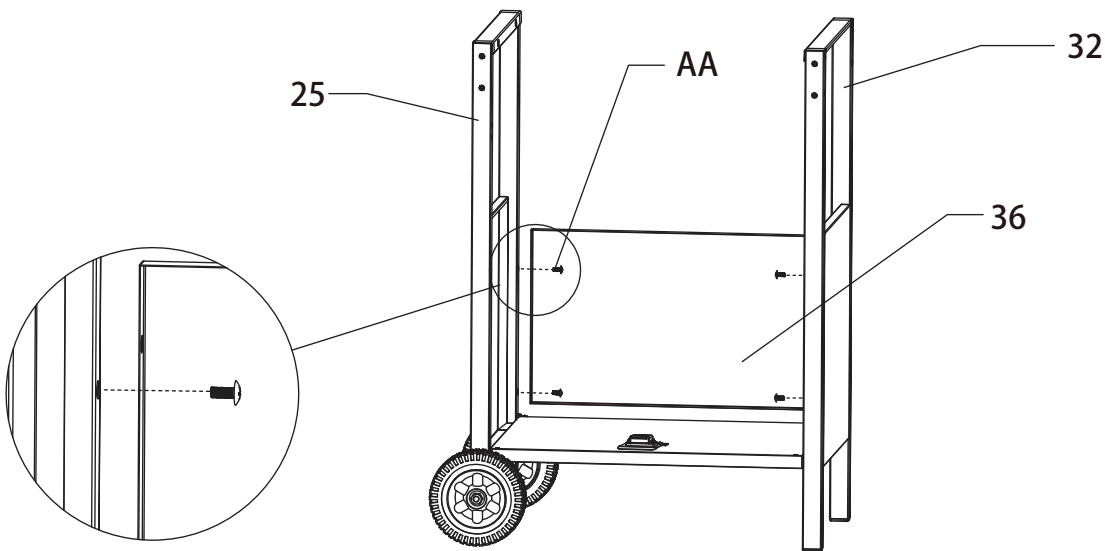


not supplied

AA x4 M5x12

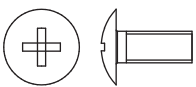


4

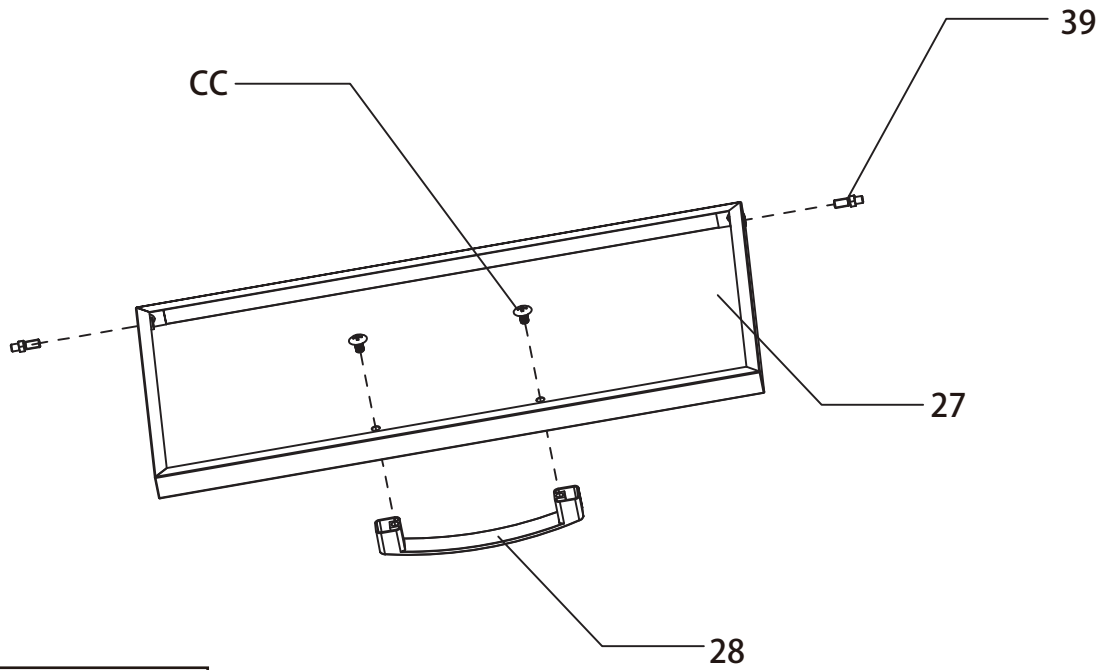


not supplied

AA x4 M5x12

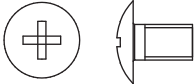


5

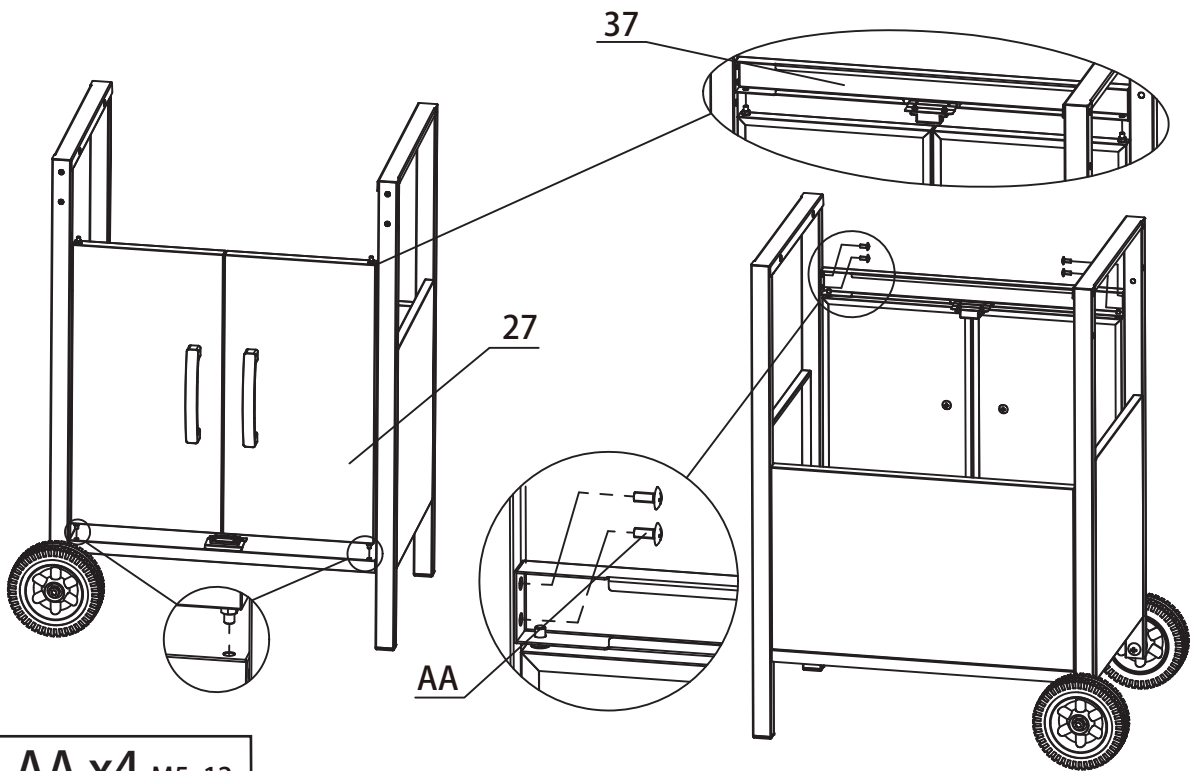


not
supplied

CC x4 M6x10

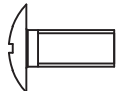


6

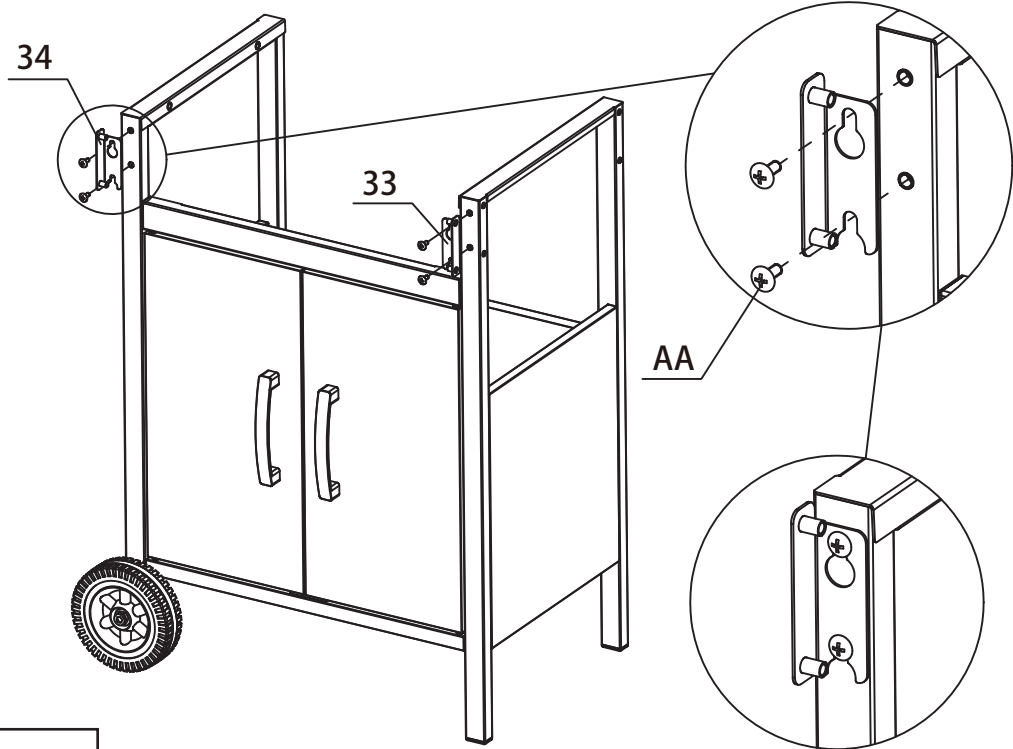


not
supplied

AA x4 M5x12

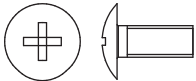


7

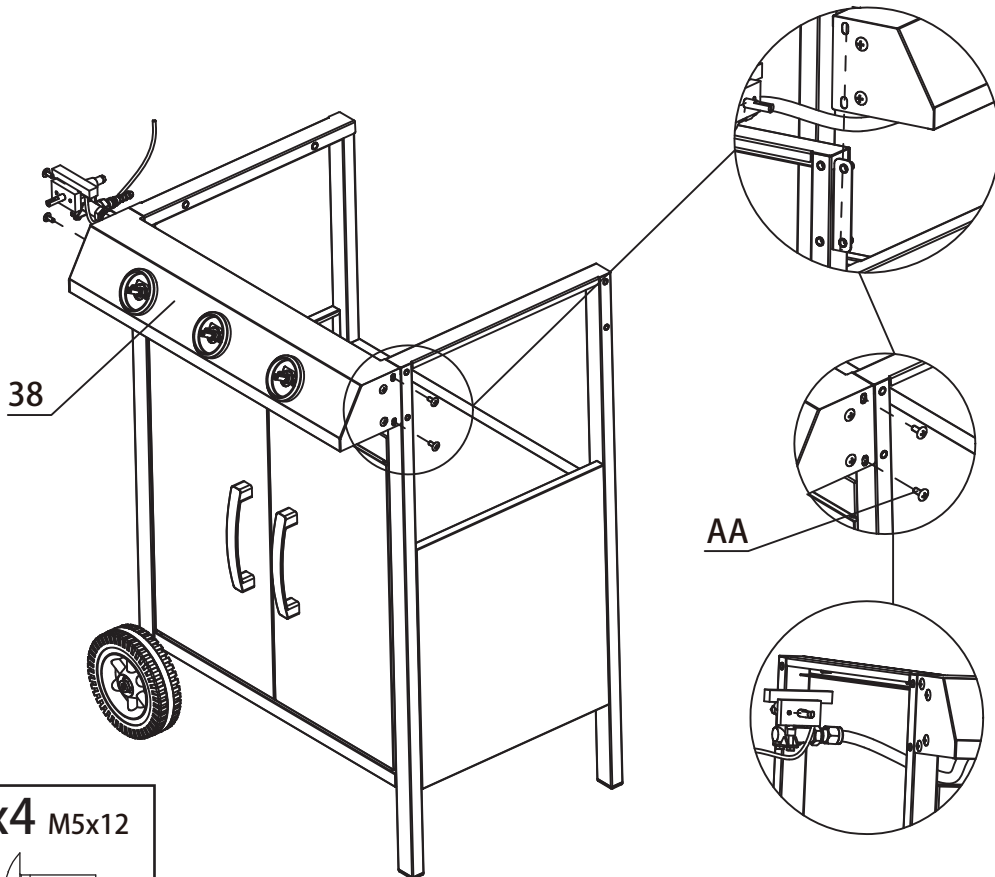


not supplied

AA x4 M5x12

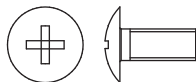


8

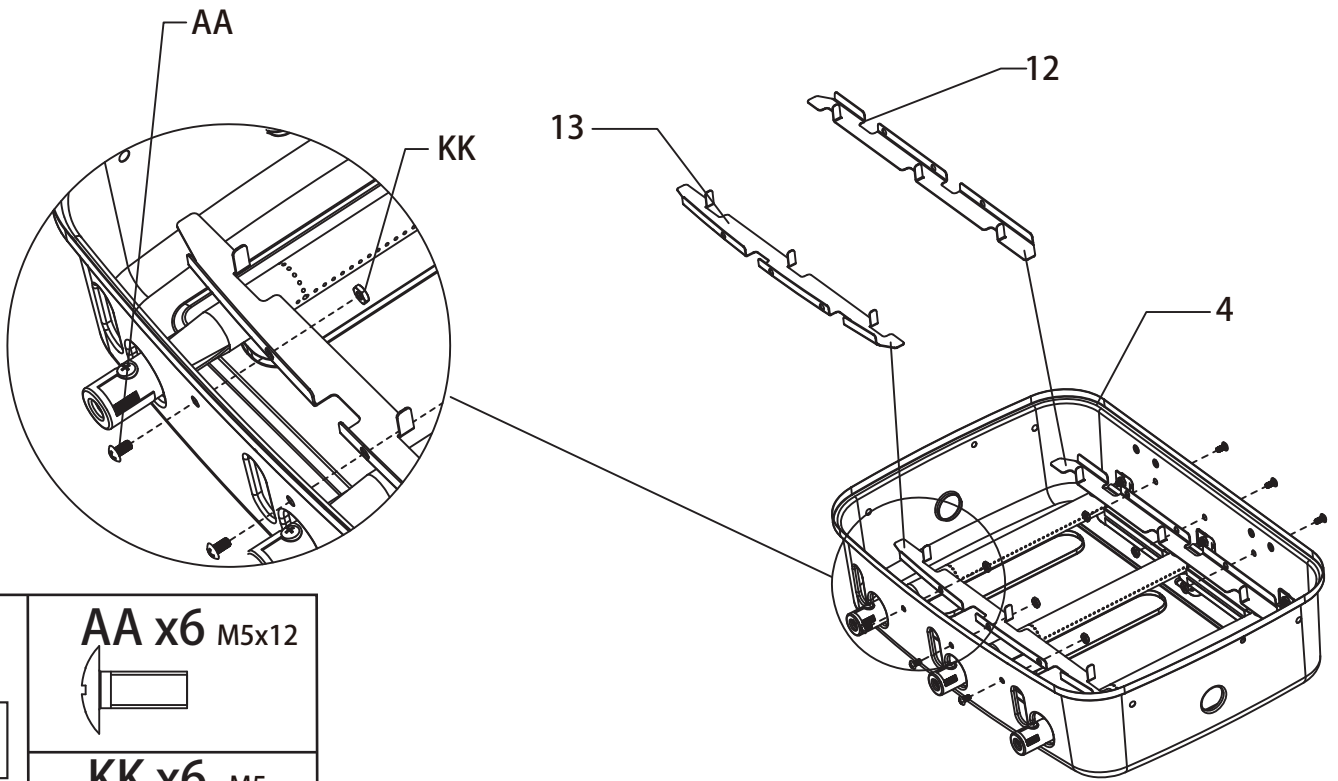


not supplied

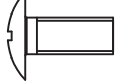
AA x4 M5x12



9



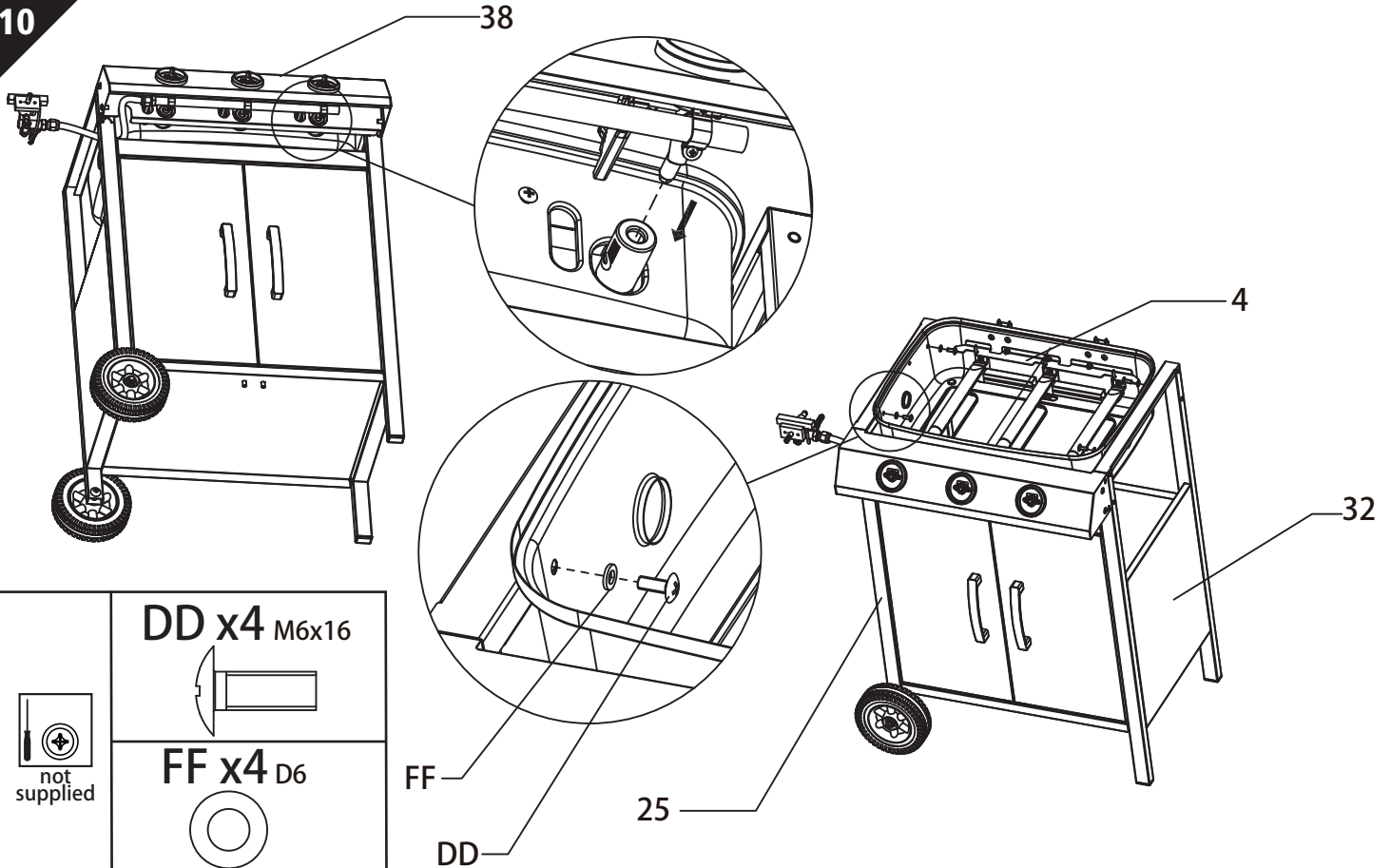
AA x6 M5x12



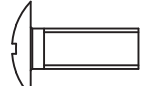
KK x6 M5



10



DD x4 M6x16



FF x4 D6

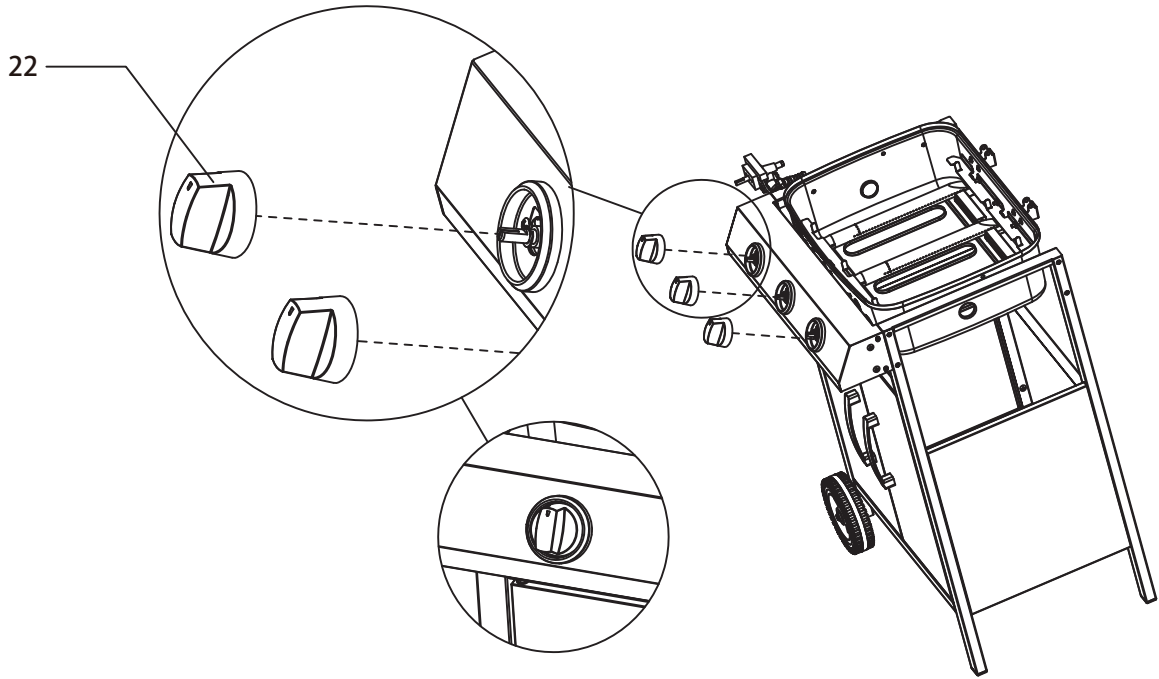


FF

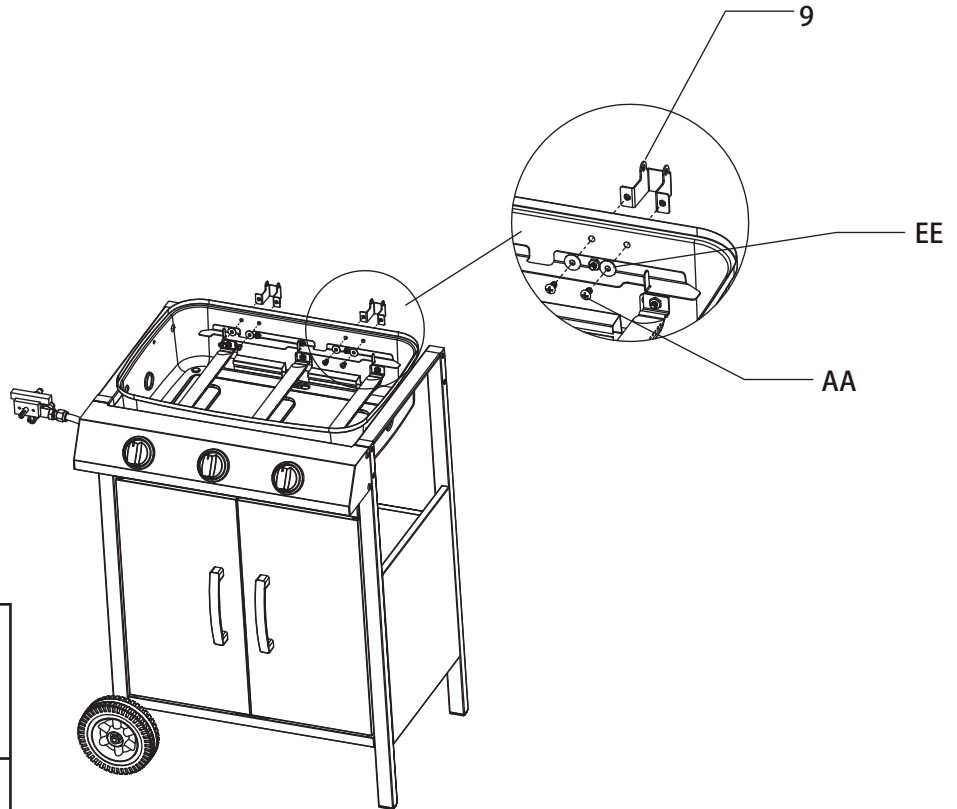
DD



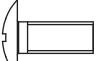

25

11

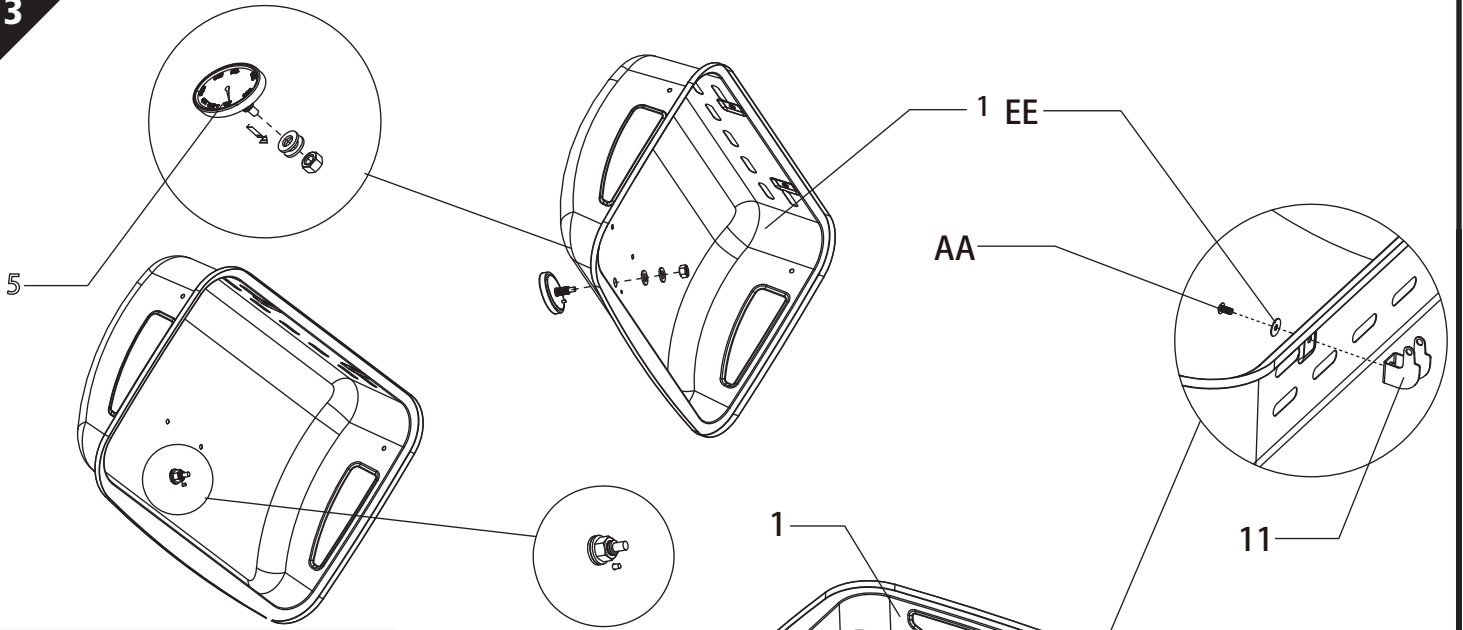


12



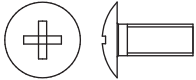
 not supplied	AA x4 M5x12  
	EE x4 D5 

13



not supplied

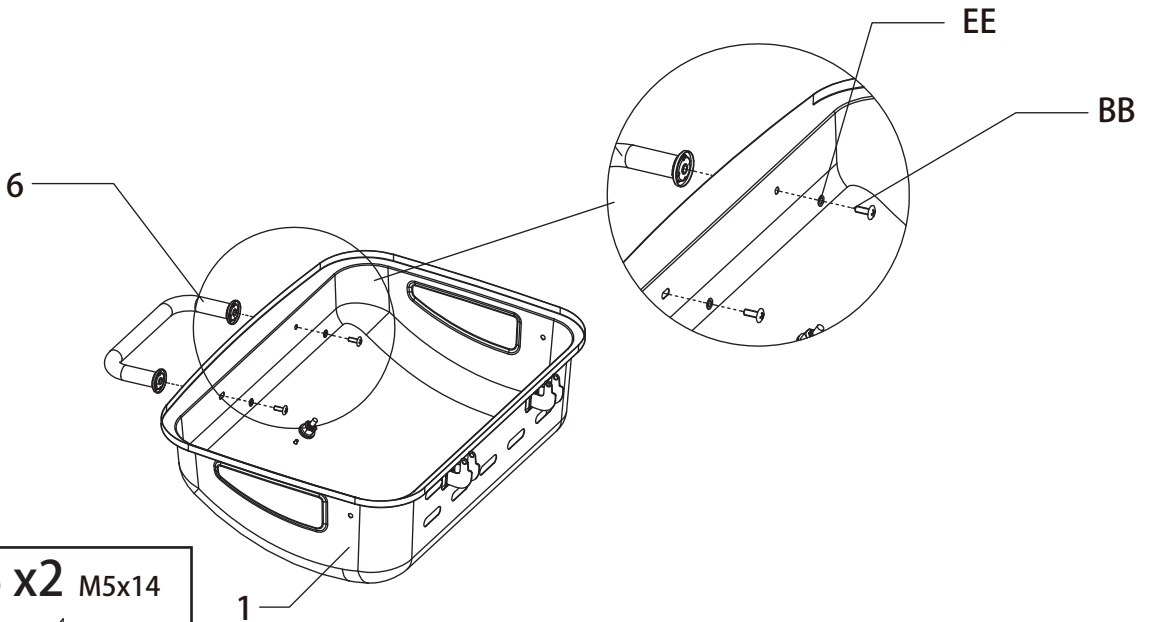
AA x2 M5x12



EE x2 D5

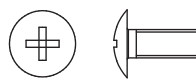


14



not supplied

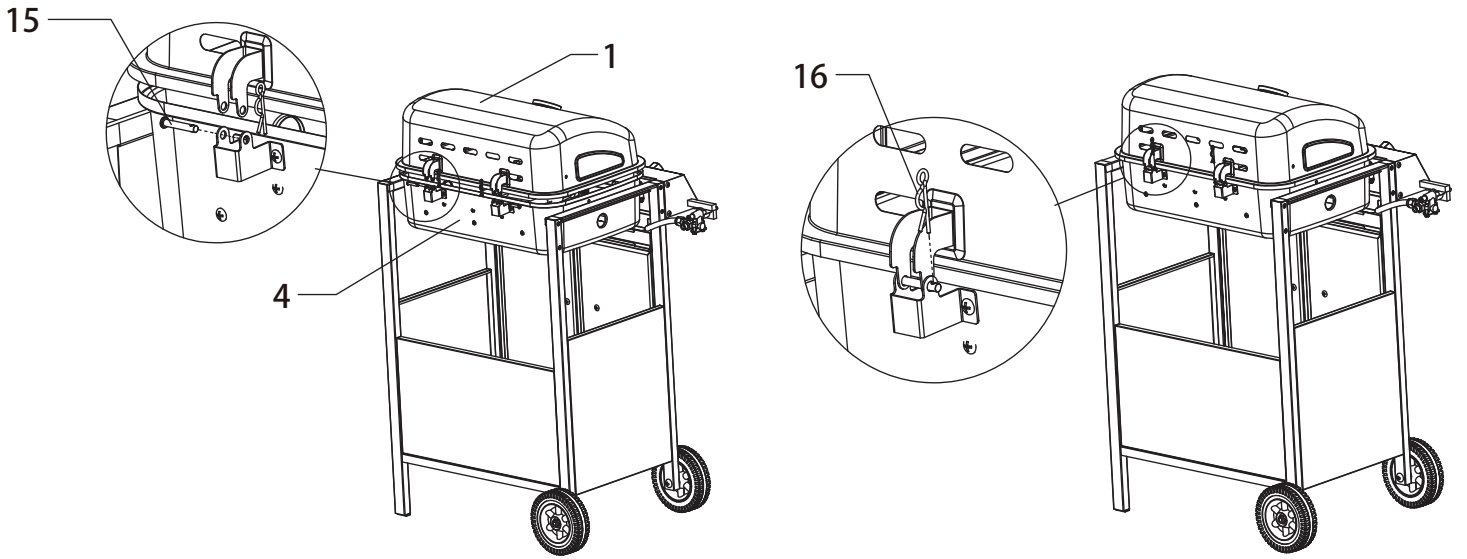
BB x2 M5x14



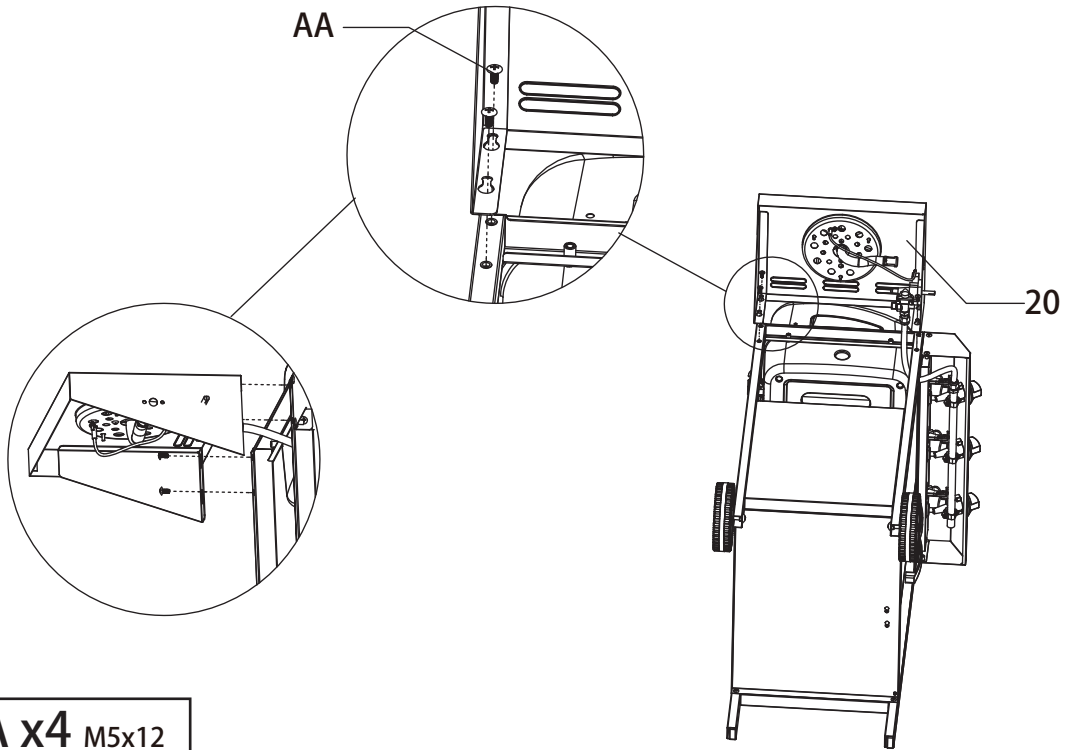
EE x2 D5



15

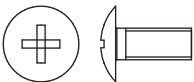


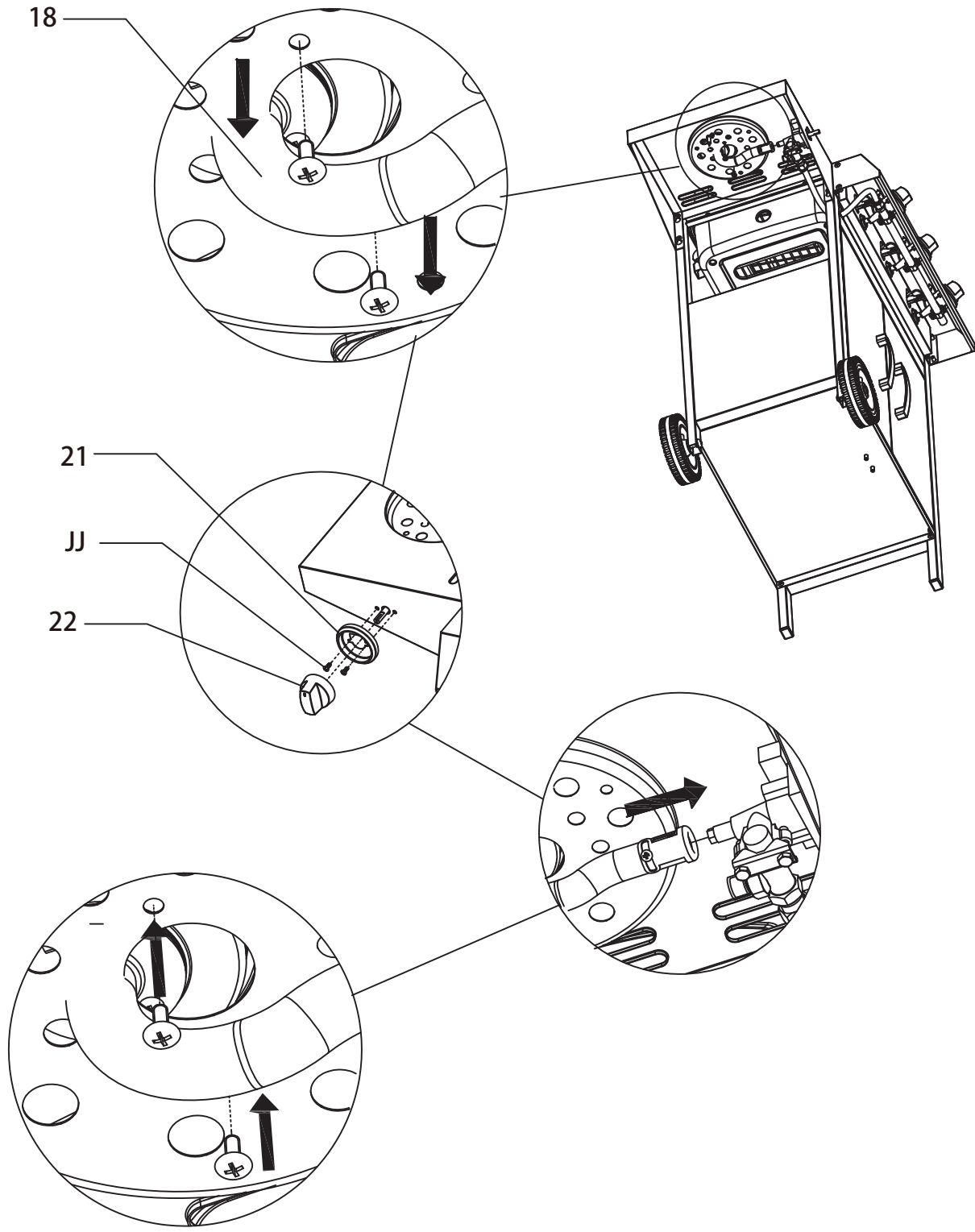
16






not supplied

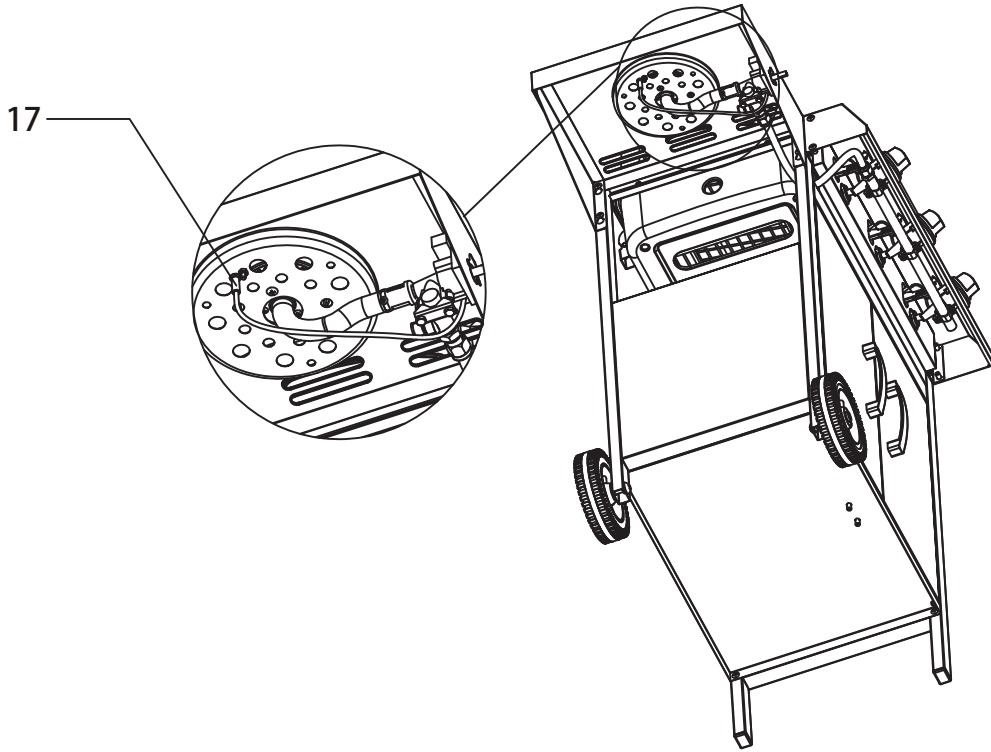
AA x4 M5x12



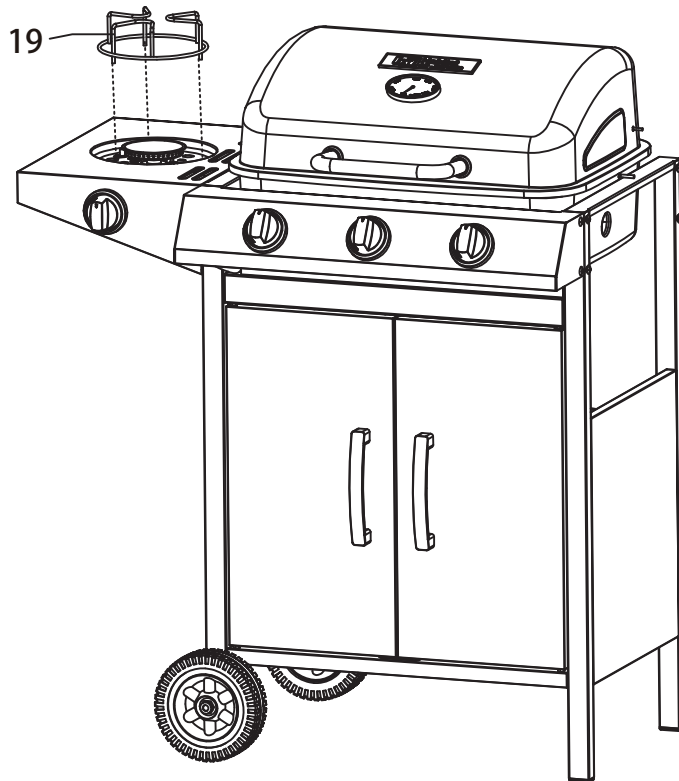


 not supplied	JJx2	M4x10
		

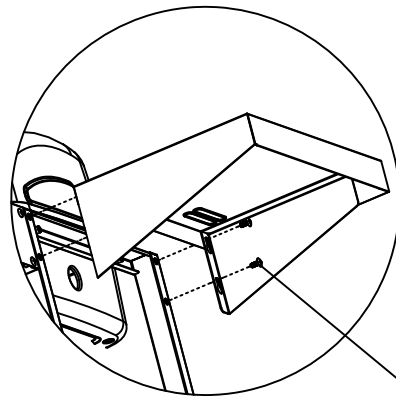
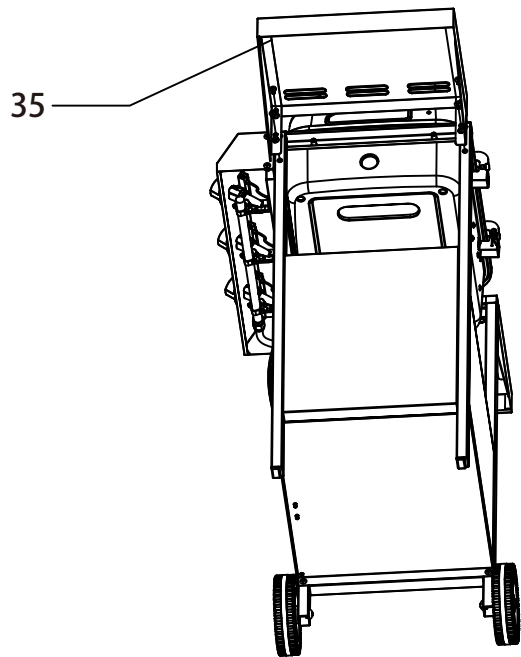
18



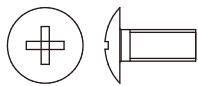
19



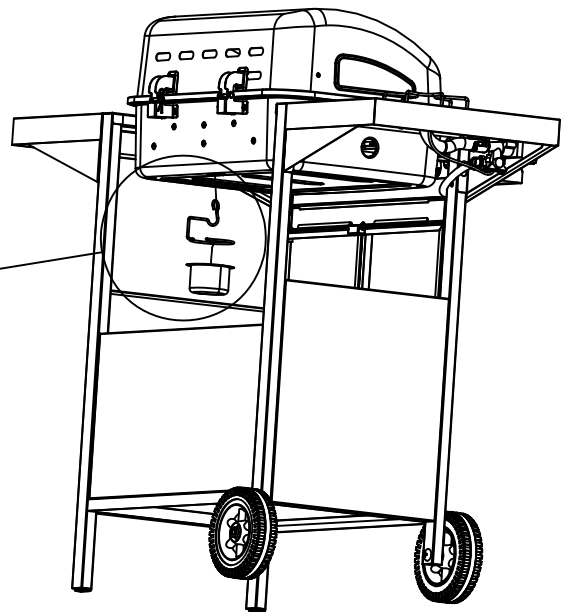
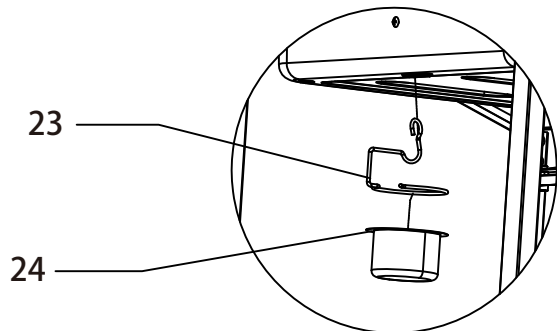
20



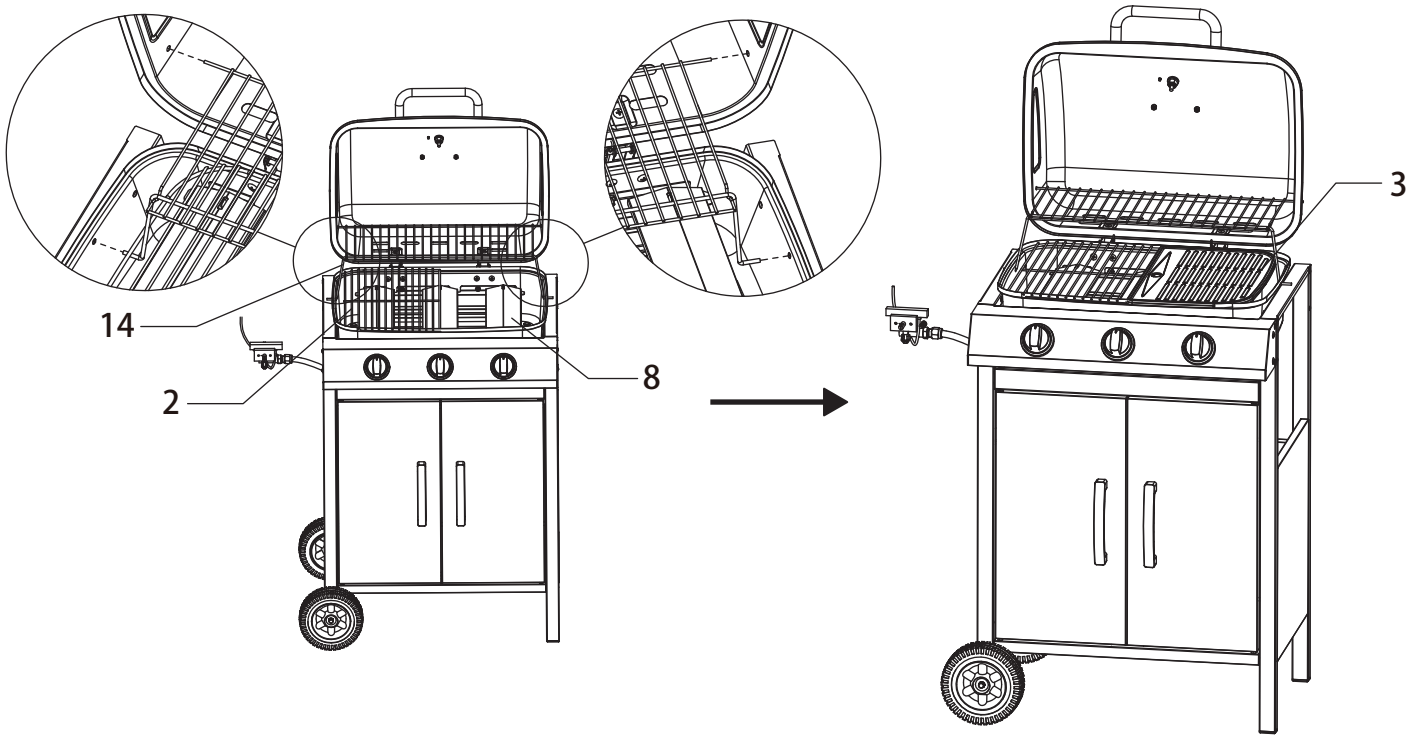
AA x4 M5x12



21



22



23

