

CosyLifeStyle[®]

Manual
for
Orangery
2,98x2,98x2,78m

DANCOVER[®]

.com

Safety Advice

Attention

In some countries or areas, you may have to obtain permission when setting up structures like greenhouses or similar buildings exceeding a certain size. It is your responsibility to comply with local rules and regulations and to ensure that the greenhouse is assembled correctly.

In case of bad weather conditions, it is your responsibility to ensure the greenhouse is safely secured and that the structure does not cause damage to others. Be sure to close doors and windows in the greenhouse, remove any loose objects in the garden, which may hit the greenhouse if the wind takes hold of it. Secure the garden trampoline and ask your neighbours to do the same. Please check the garden in general for loose or broken branches and other objects that may cause a danger in case of windy weather. Do not use open fire, welding equipment or other sources of ignition, inside or close to the greenhouse.

When you buy a greenhouse and set it up in your garden, we recommend that you check whether your home insurance covers the structure. At the same time, you are not supposed to be inside the greenhouse during extreme weather conditions.

This structure has not been tested for specific snow and wind loads! Make sure you follow our general safety advice and in the event of snow, always remove excessive amounts of snow from the greenhouse to prevent too much snow on the roof of the greenhouse. Heavy snow may cause the roof or entire structure to collapse.

Note: Dancover warranty applies only to the normal use of the greenhouse, normal wear and tear excepted, in accordance with written use instructions or manual. The warranty does not apply to damage caused by accident, abuse, misuse or modification of the greenhouse.

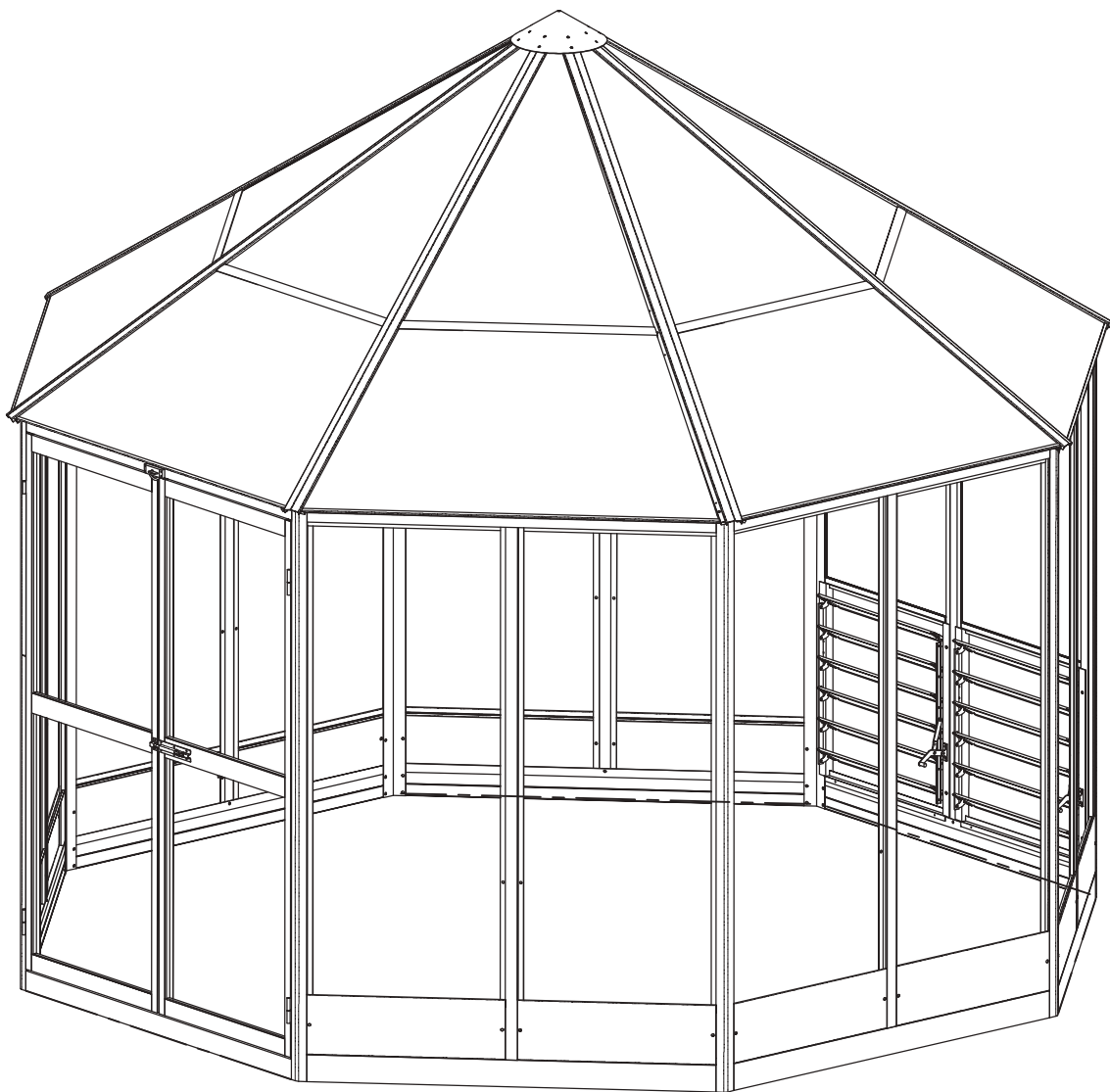
Warranty Information

Please visit dancovershop.com for information on warranty.

Please always check our website for the latest safety advice and manual.

Green House

OWNER'S MANUAL /
Instructions for Assembly



Your Greenhouse must be installed on a level firm foundation.

SAFETY ADVICE

We strongly recommend the use of work gloves during assembly;
Do not attempt to assemble the greenhouse in windy or wet conditions;
Do not touch overhead power cables with the aluminum profiles;
Always wear shoes and safety goggles when working with extruded aluminum;
Dispose of all plastic bags safely-keep them out of reach of small children;
The greenhouse must be positioned and fixed on a flat level surface;
Do not lean against or push the greenhouse during construction;
Keep children away from the assemble area;
Do not position your greenhouse in an area exposed to excessive wind;
Do not attempt to assemble this greenhouse if you are tired, have taken drugs or alcohol or if you are prone to dizzy spells;
If using a step ladder or power tools ensure that you follow the manufactures safety advice;
Hot items such as recently used grills, blowtorches etc. must not be stored in the greenhouse;
Ensure there are no hidden pipes or cables in the ground before inserting the pegs.

GENERAL ADVICE

This is a multi-part assembly. Allow at least 150 minutes for assembly by two people.
Selecting a site- choose a sunny level position away from overhanging trees.
The component parts should be checked and laid out close at hand.
Keep all small parts (screws etc.) in a bowl so they do not get lost.
Note that the door is hinged on the right hand side and therefore opens to the right. Keep roof clear of snow and leaves.

CARE & MAINTENANCE

When your greenhouse needs a clean, use a mild detergent solution and risen with cold clean water.
DO not use acetone, abrasive cleaners or other special detergents to clean the panels.

TOOLS

Tools You Will Need

Hand Gloves

Adjustable pliers

Level-3ft.

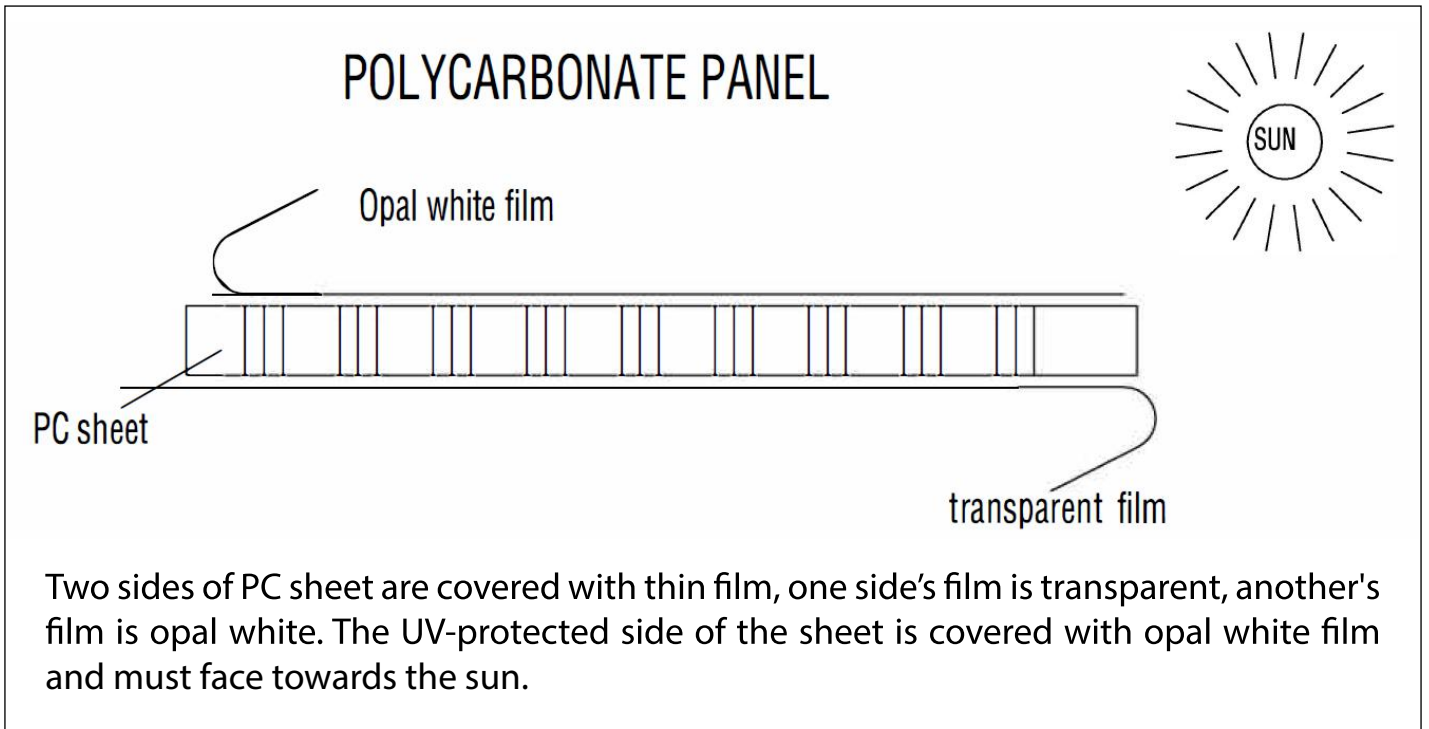
Ladder

Tape Measure

Scissors










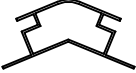


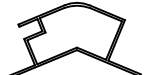
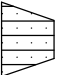



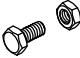
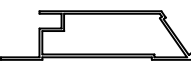
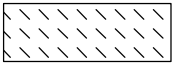
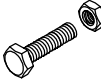
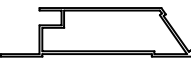
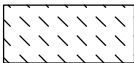


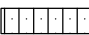


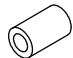


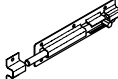


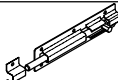





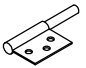




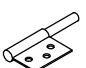
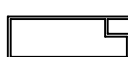

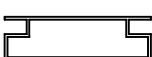





Notes:

1. Remove approximately 2 inches of film from all sheet edges before installing. remove all film immediately after the constructions completed.
2. The UV-protected side of the sheet is covered with opal white film and must face towards the sun.

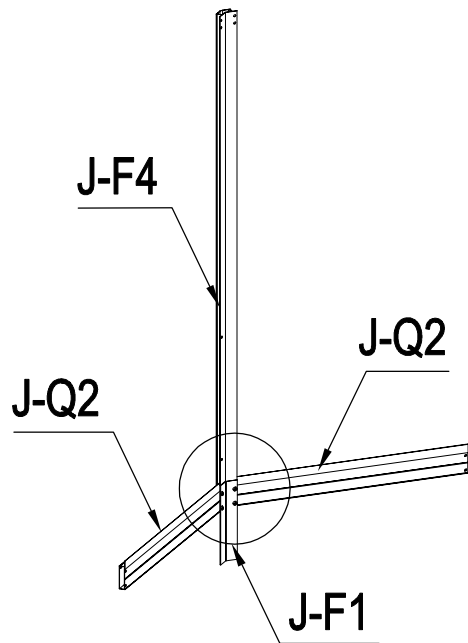
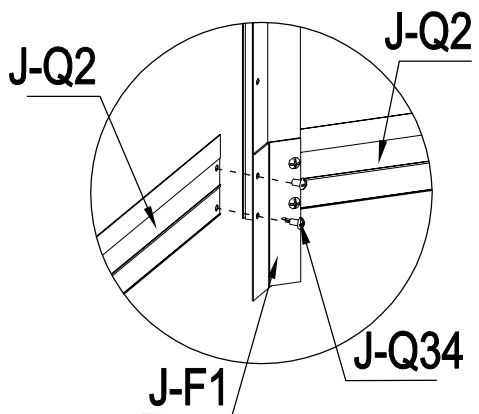


Please note: To make the roof of your orangery waterproof, you need to seal the joints with silicone sealant for greenhouses.

Parts List

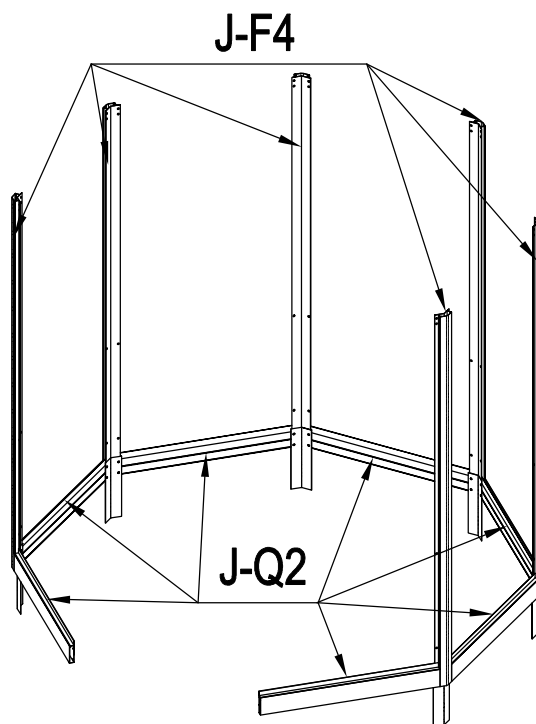
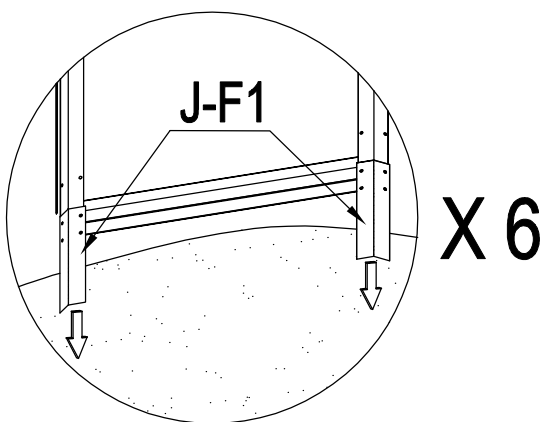
ITEM NO.	ACCESSORIES & PROFILES	QTY	ITEM NO.	ACCESSORIES & PROFILES	QTY	ITEM NO.	ACCESSORIES & PROFILES	QTY
J-F1		6	J-Q18		2	J-Q34		85
J-Q2		7	J-Q19		2	J-Q35		42
J-Q3		1	J-Q20		8	J-Q36		35
J-F4		6	J-Q21		8	J-Q37		85
J-Q5		1	J-Q21a		8	J-Q38		12
J-F6		1	J-Q22		4	J-Q39		42
J-Q7		7	J-Q23		12	J-Q40		25
J-Q8		1	J-Q24		2	J-Q41		63.7M
J-Q9		8	J-Q25		12	J-Q42		8
J-E10		1	J-Q27		24	J-Q43		5
J-H11a		16	J-Q28		1	J-Q44		85
J-Q11		16	J-Q28a		1	J-Q45		8
J-Q12		12	J-Q29		1	J-Q46		1
J-Q13		1	J-F30		2	J-Q47		2
J-Q13a		1	J-F30a		2			
J-F14		2	J-Q30		2			
J-Q15		4	J-Q30a		2			
J-Q16		1	J-F31		2			
J-Q16b		1	J-F32		2			
J-H17		7	J-Q33		24			

1

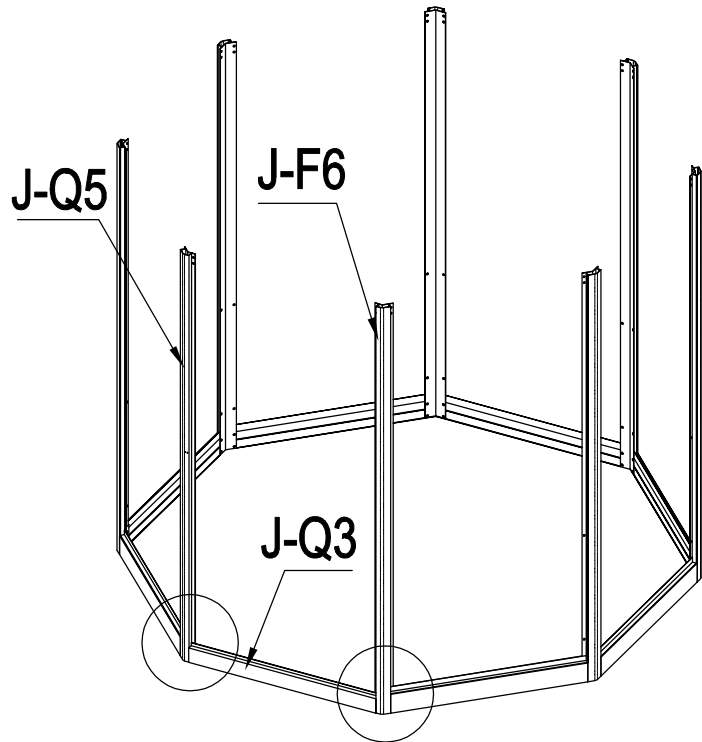
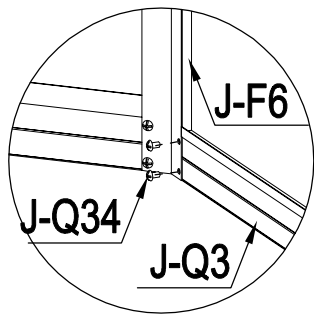
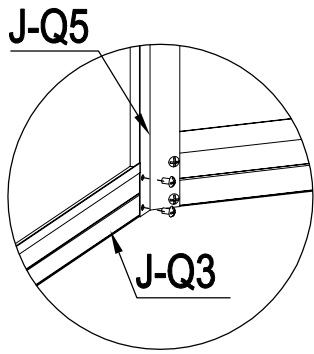


2

Insert J-F1 into underground

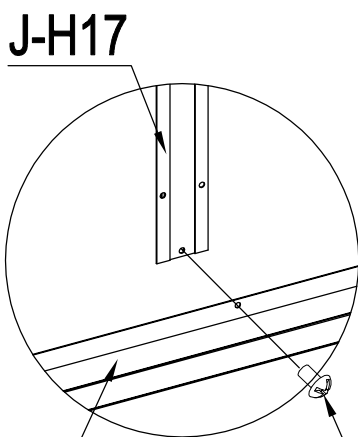


3



Face avant / Front / Parte Frontal / Vorne

4

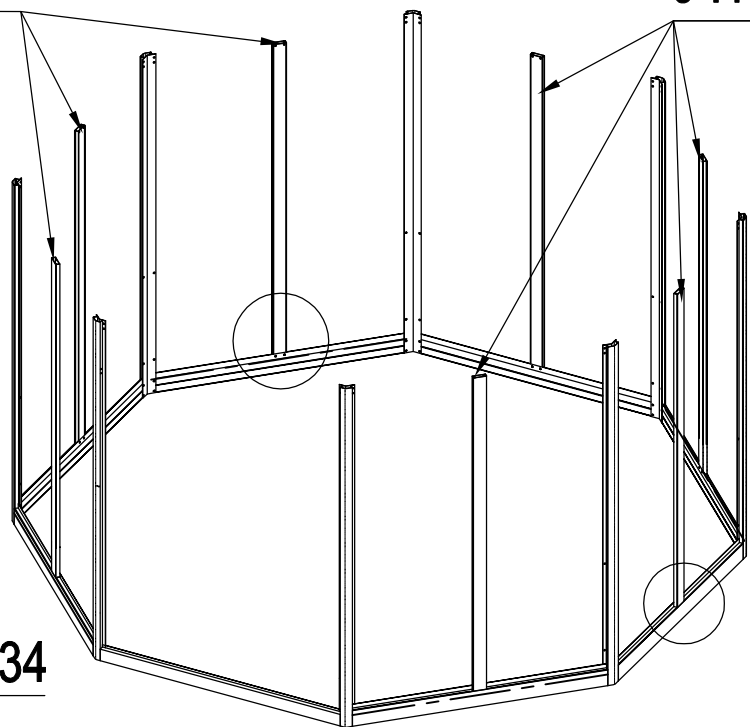


J-Q2

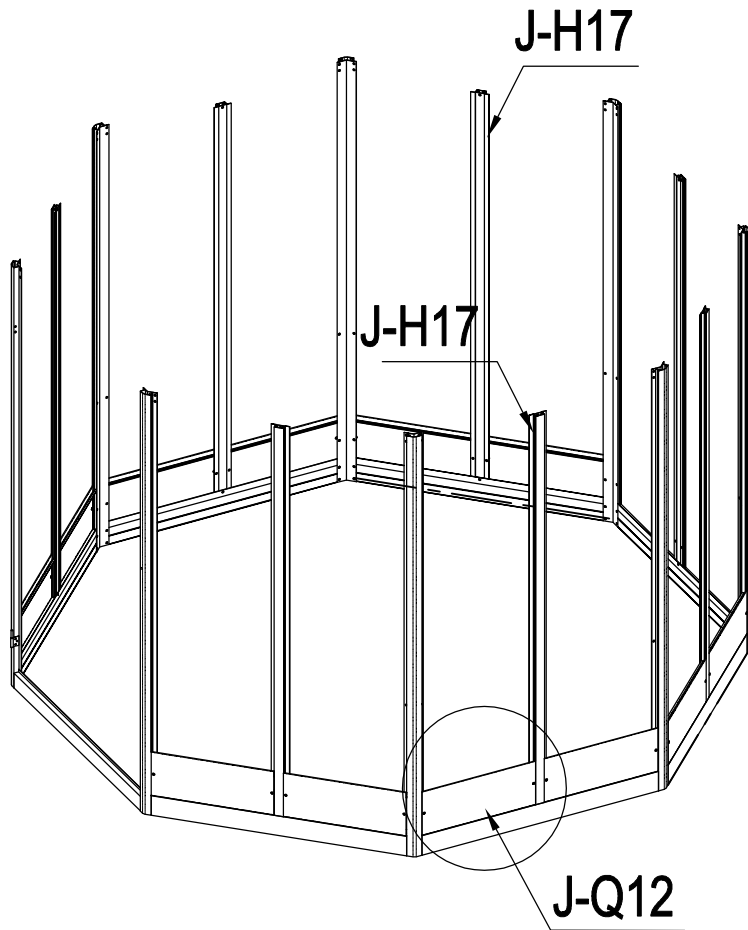
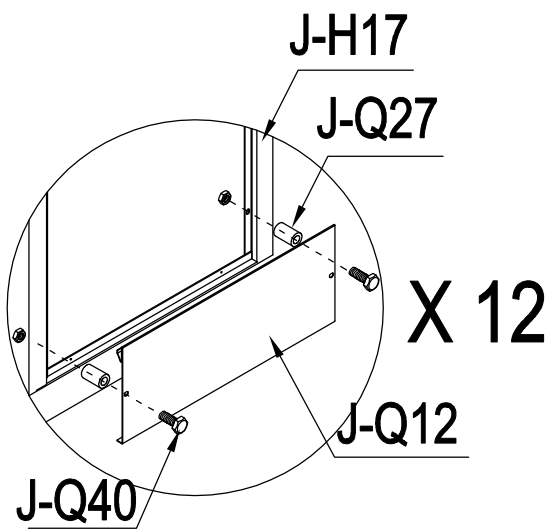
J-Q34

J-H17

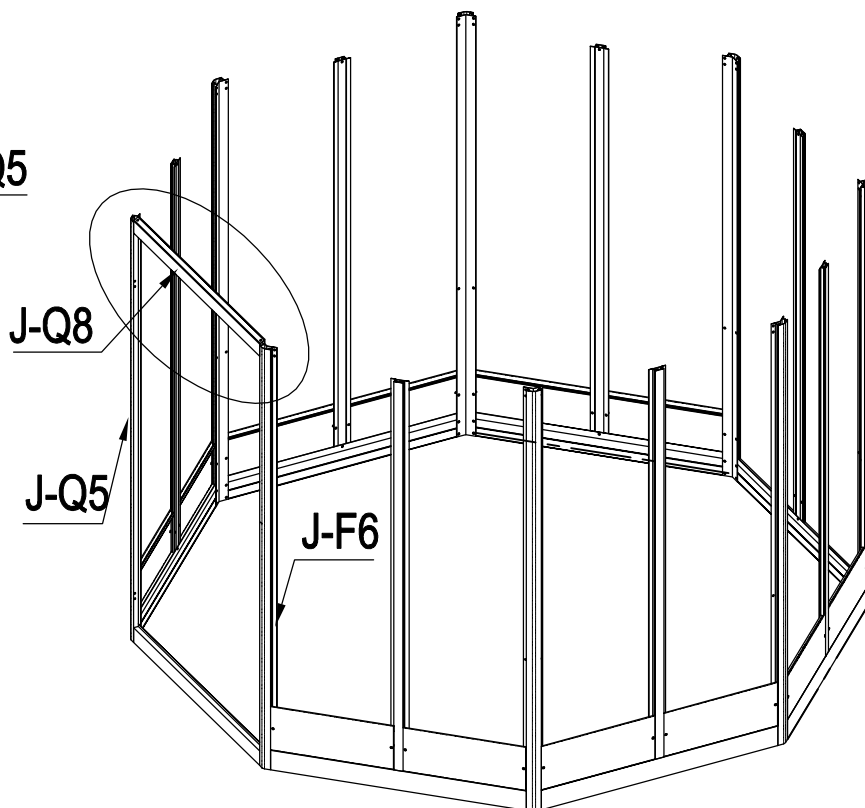
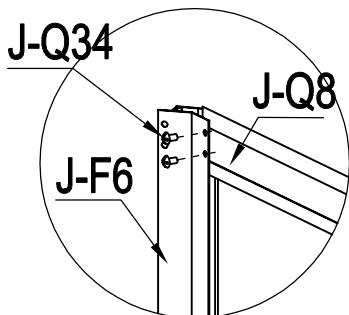
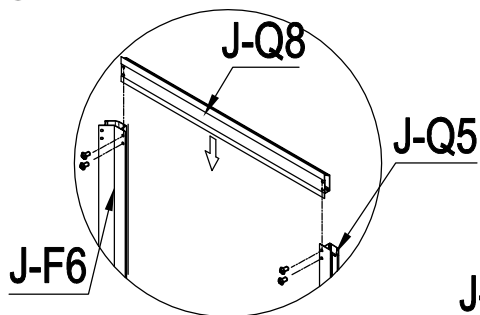
J-H17

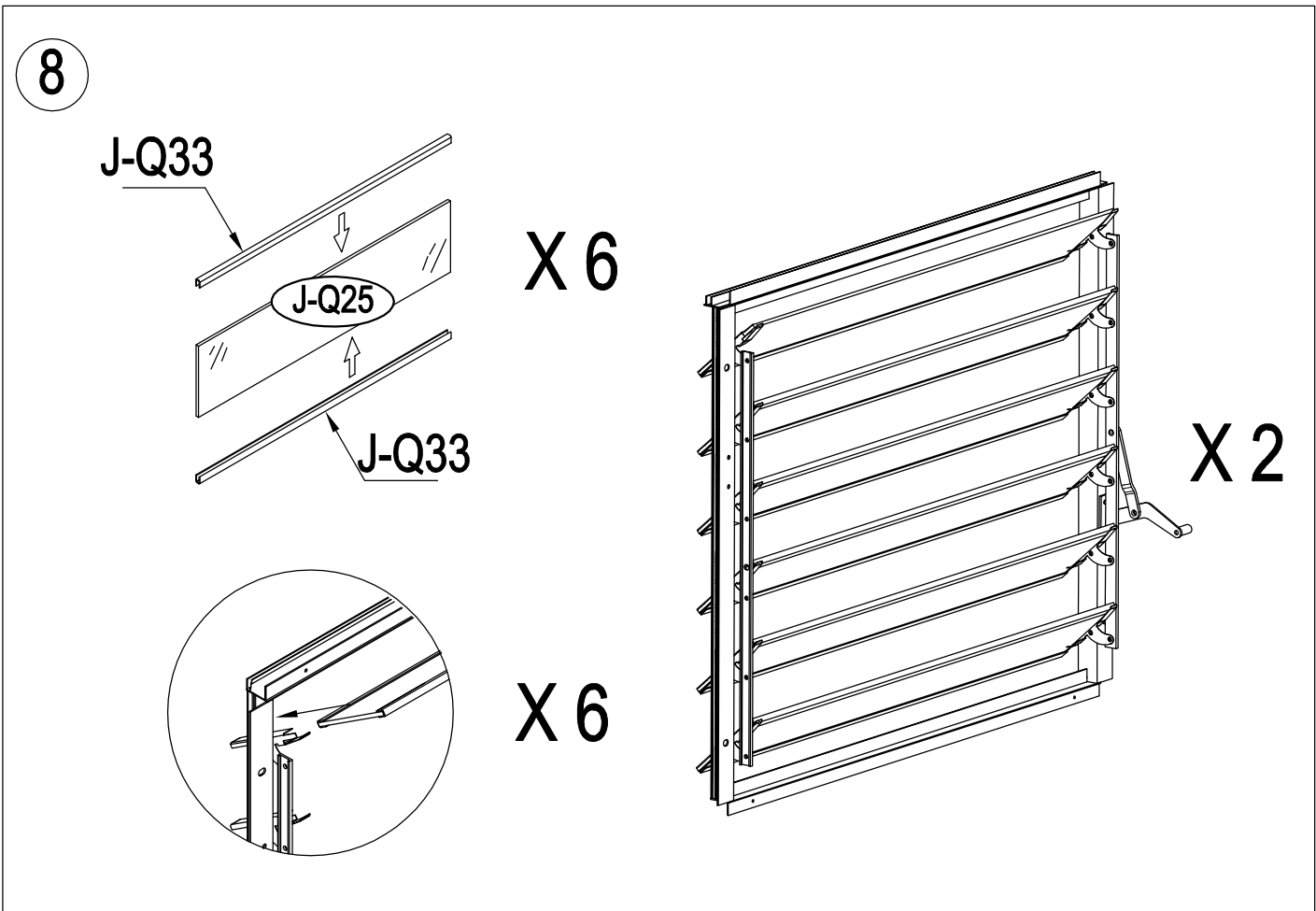
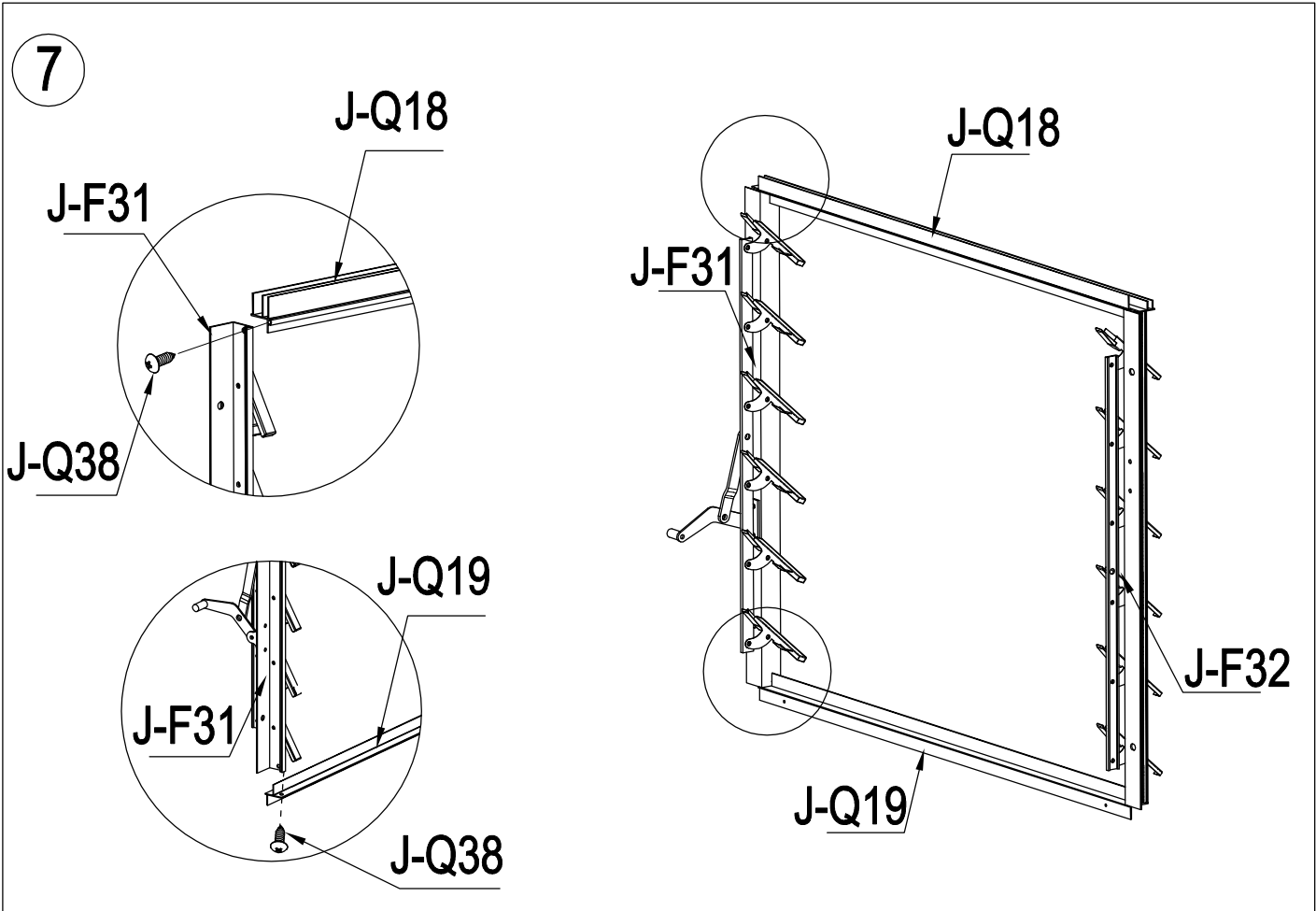


5



6



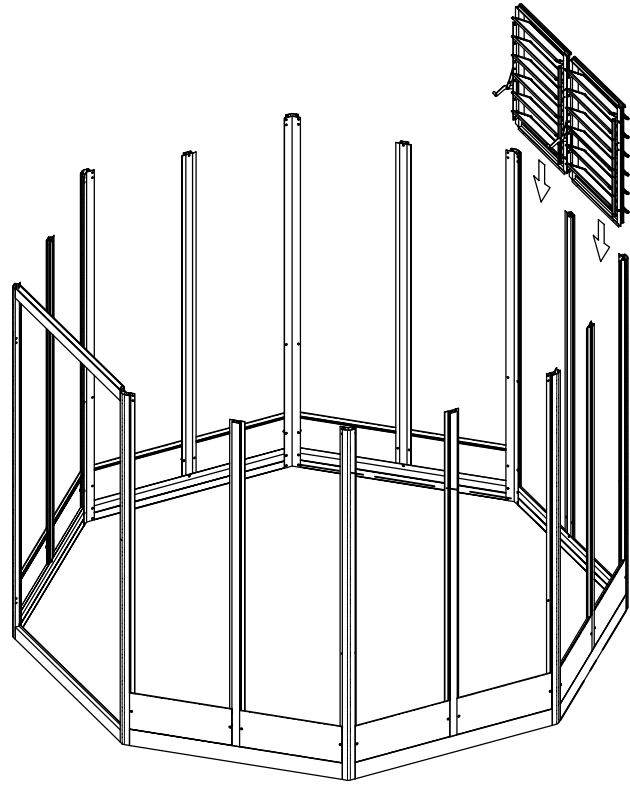


9

J-Q39

J-F4

J-F4



10

J-F4

J-H17

J-F4

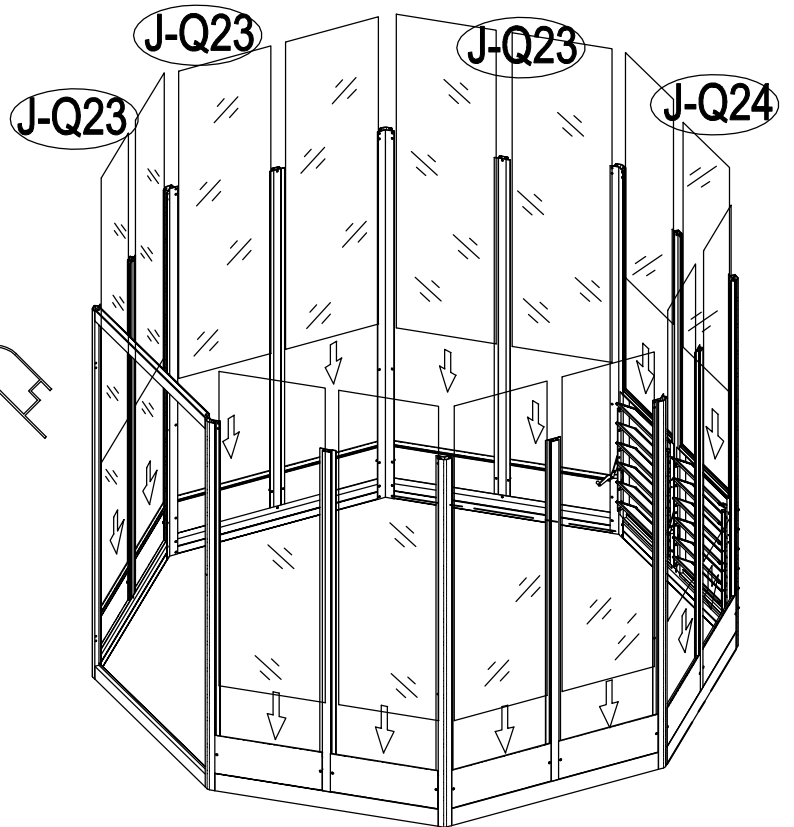
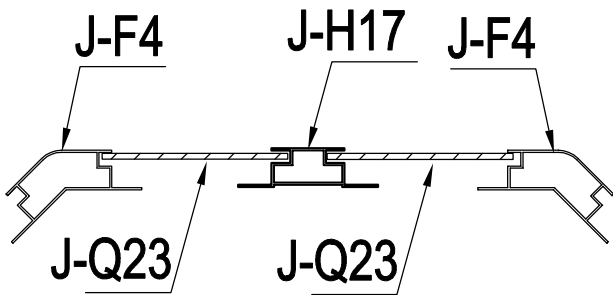
J-Q23

J-Q23

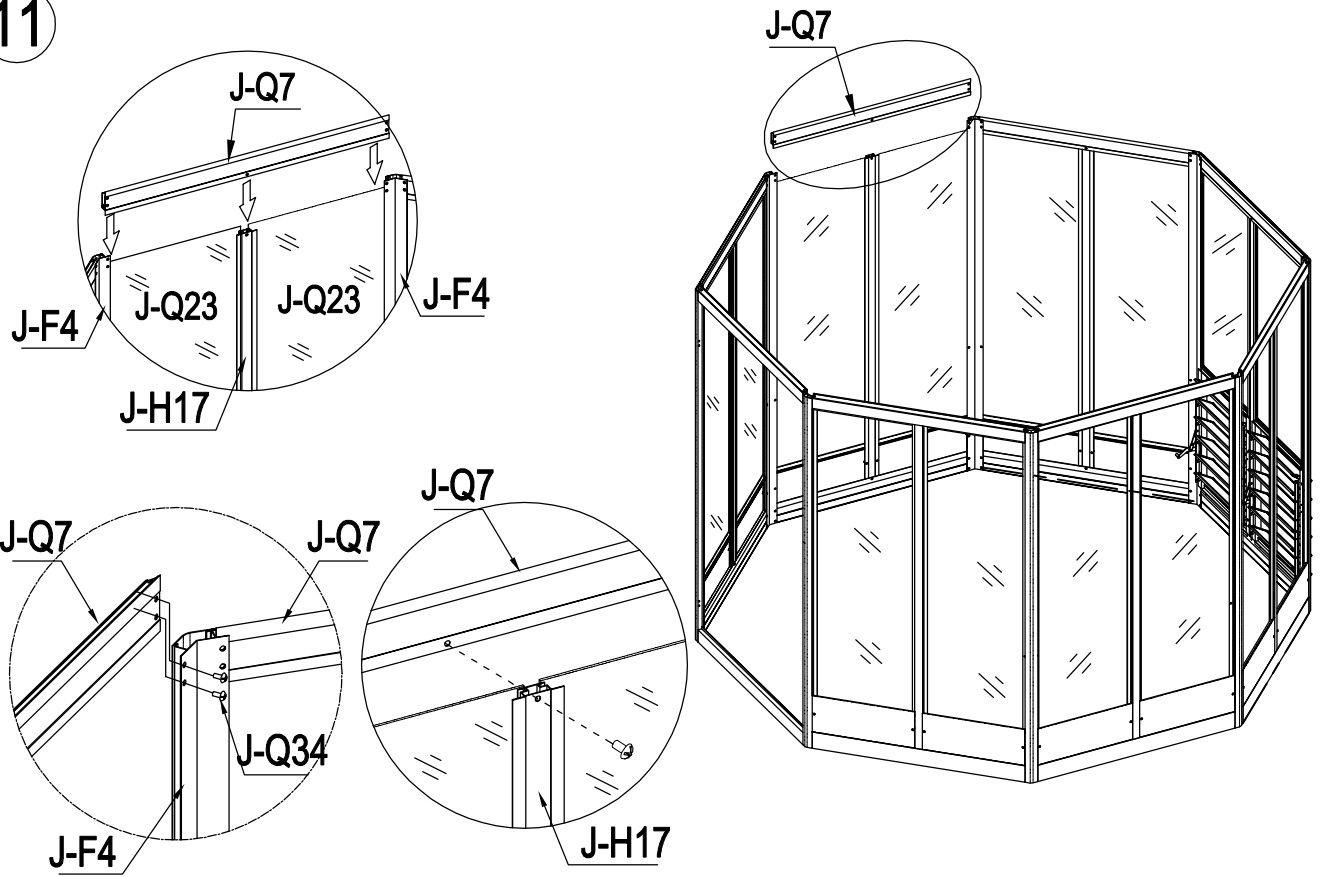
J-Q23

J-Q23

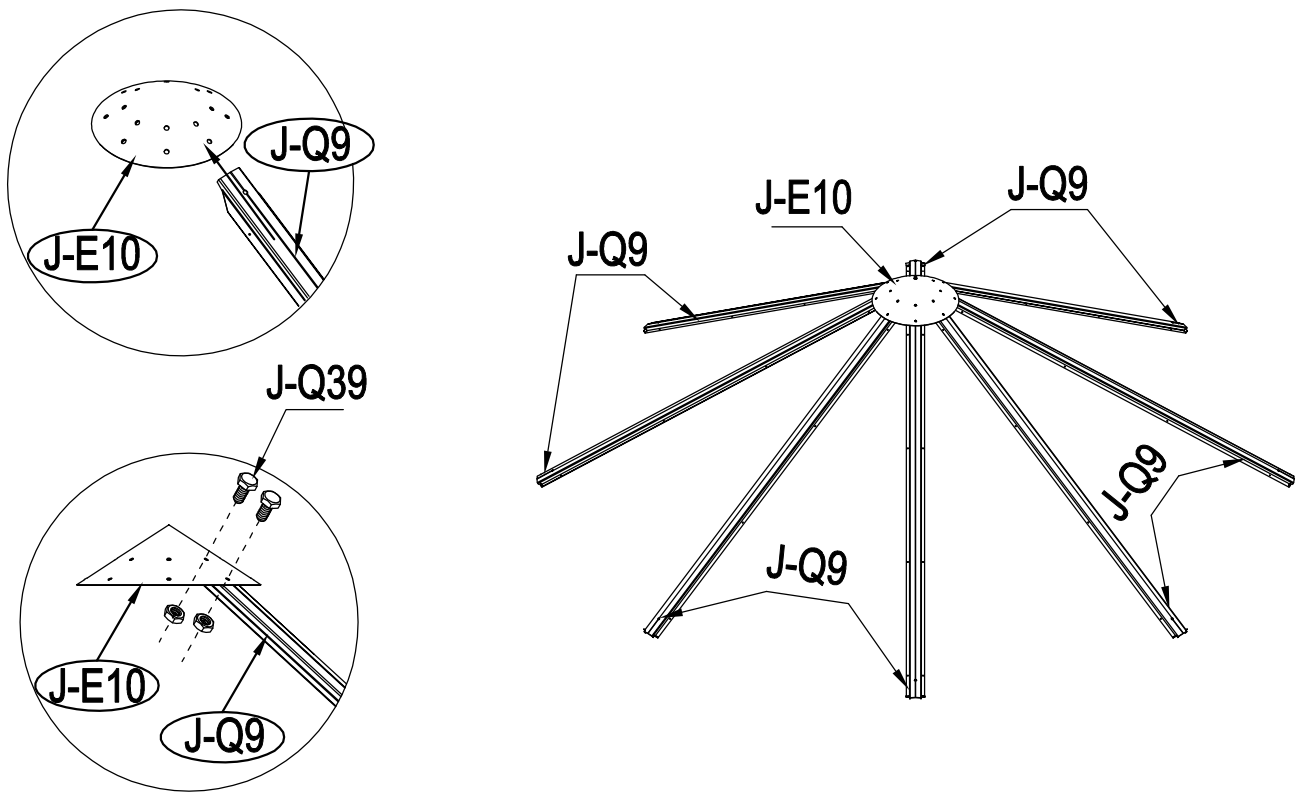
J-Q24



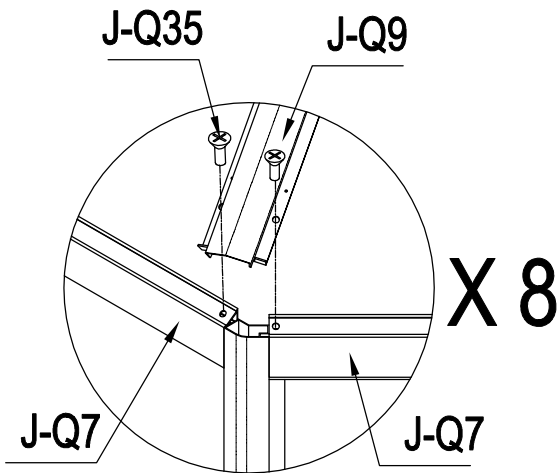
11



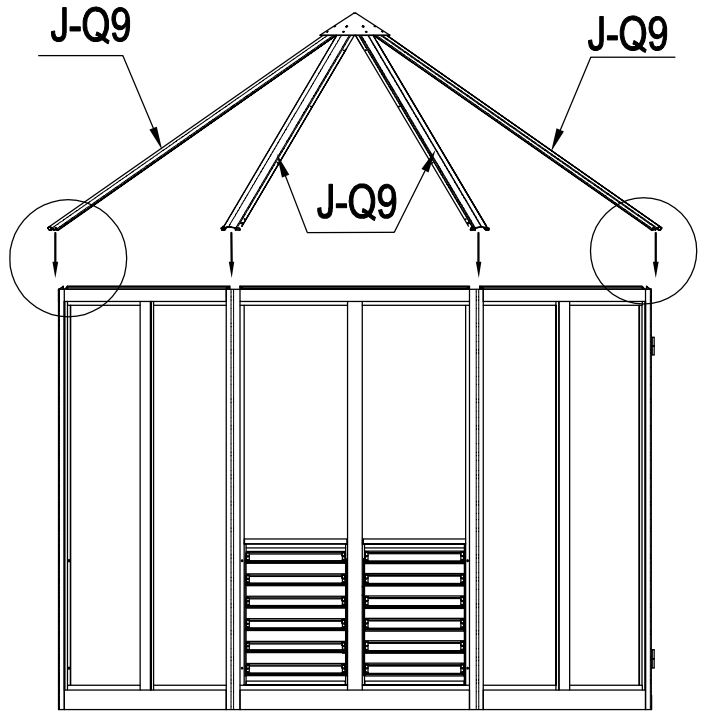
12



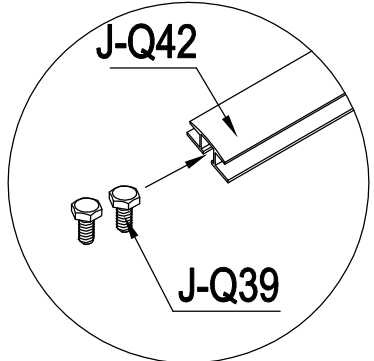
13



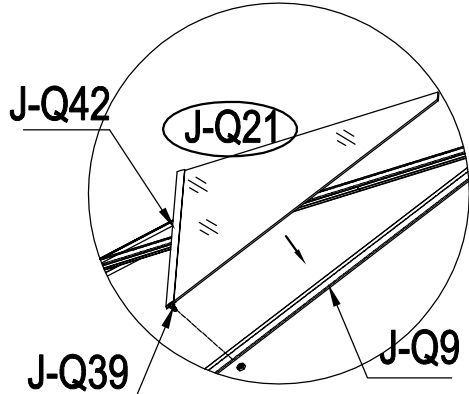
X 8



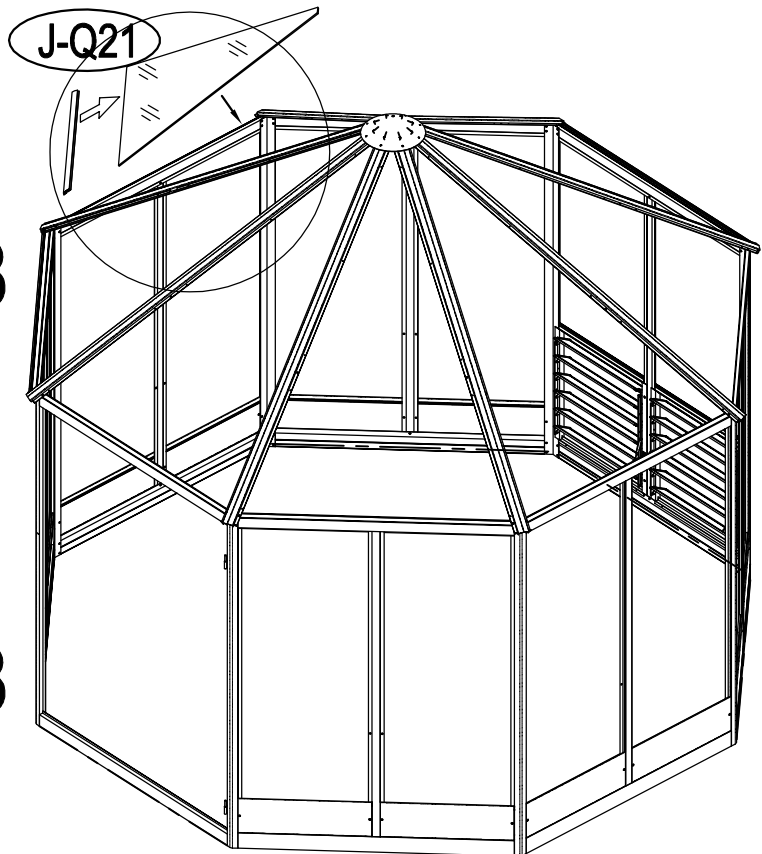
14

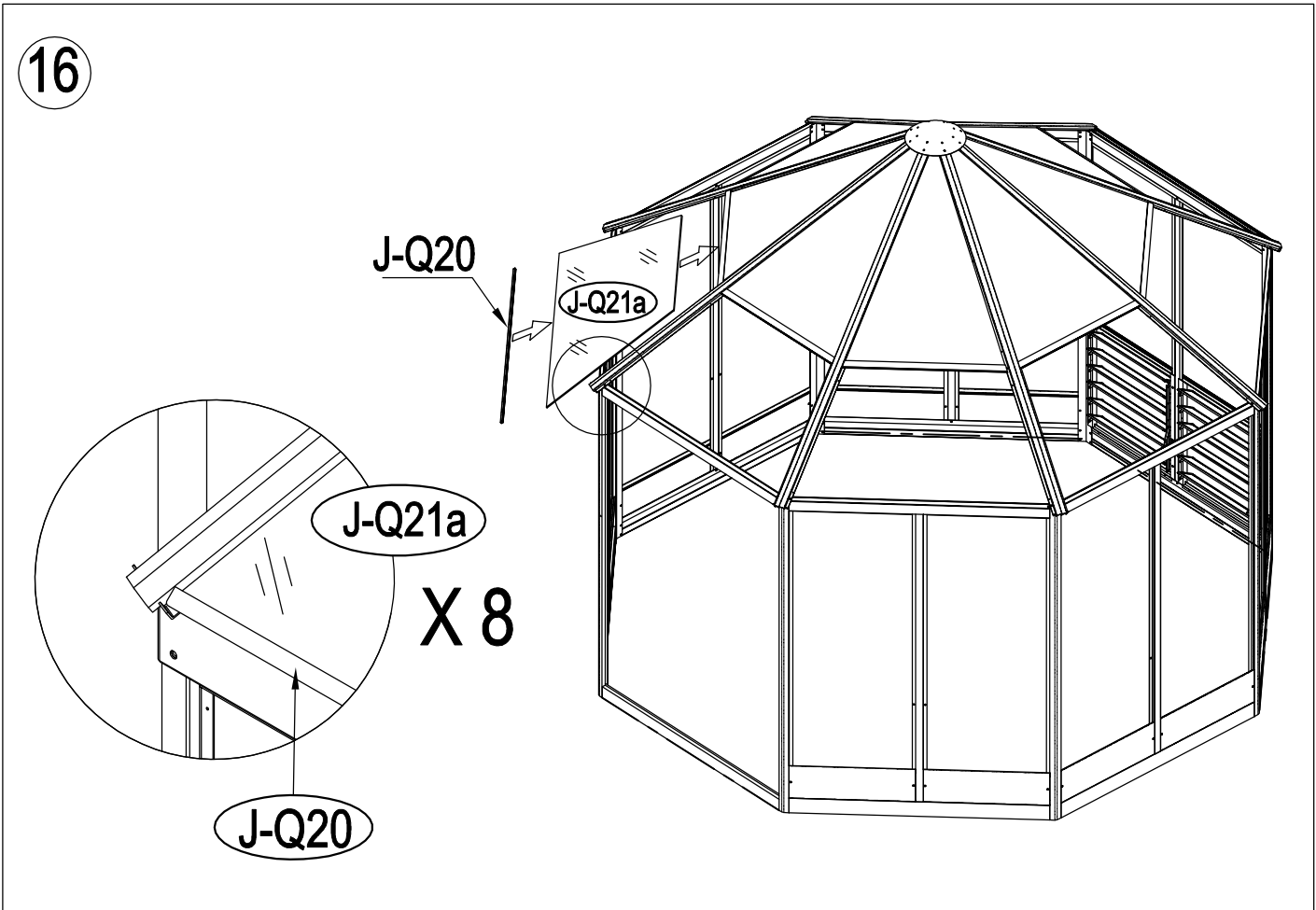
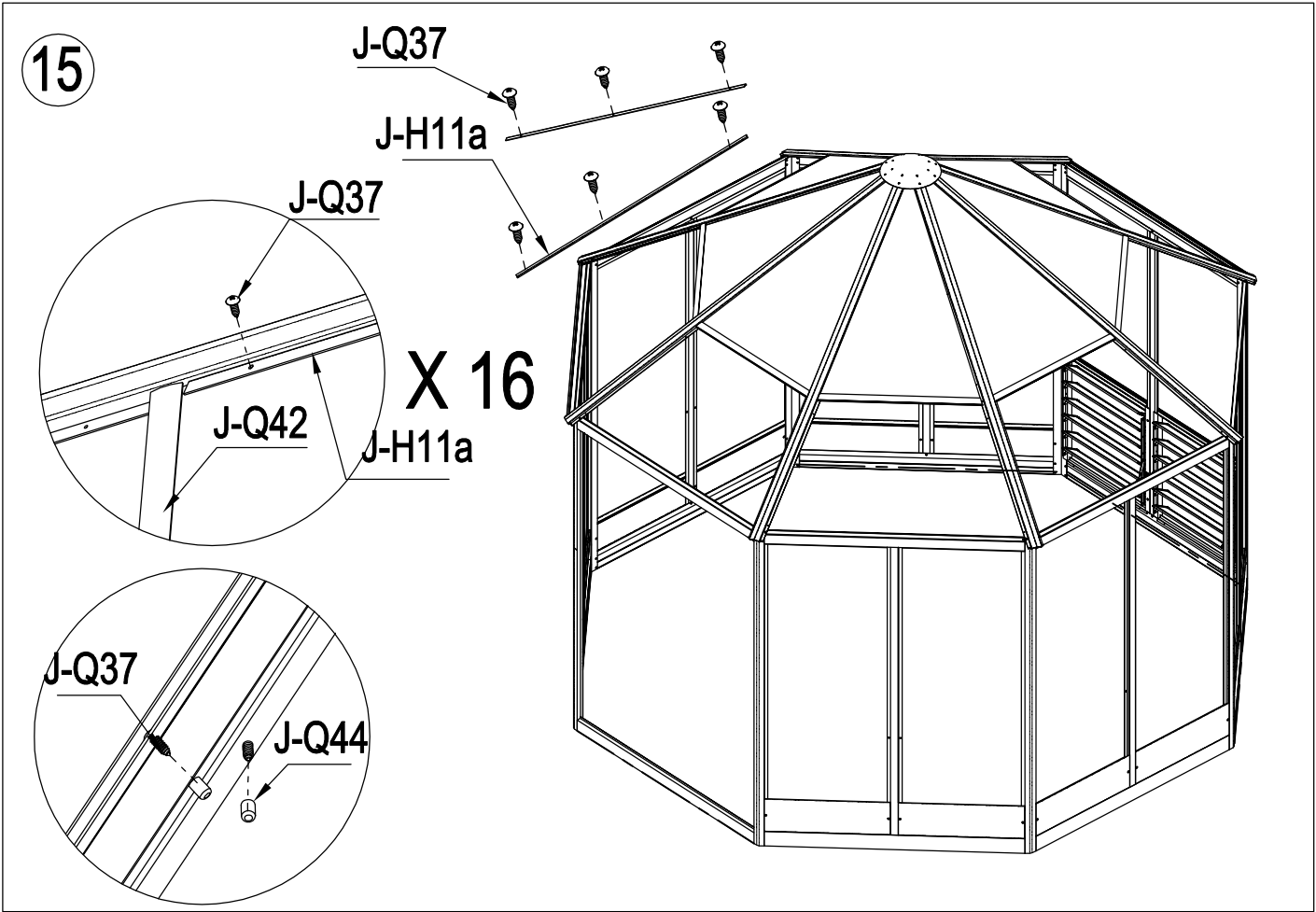


X 8

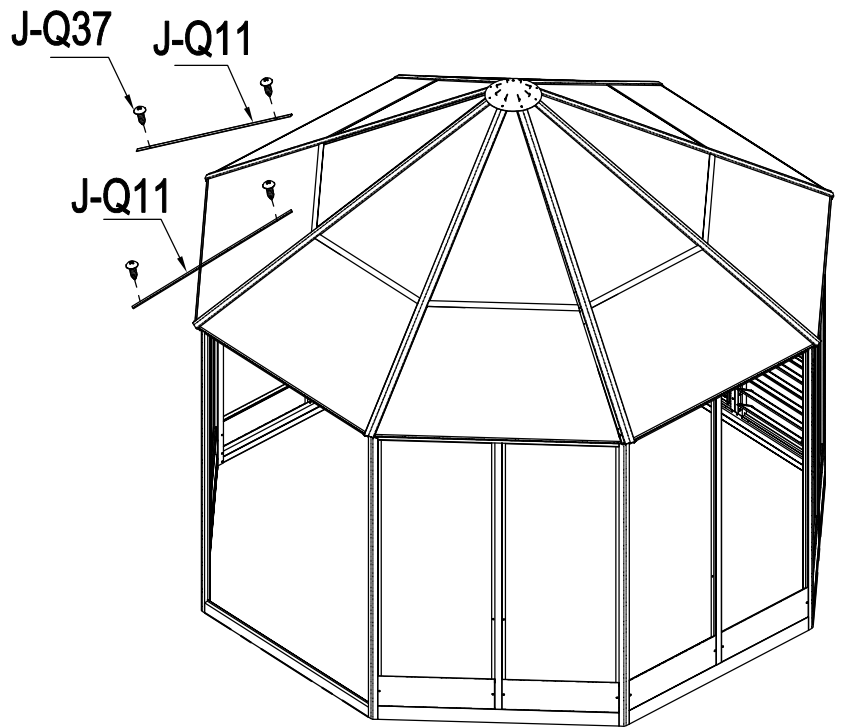
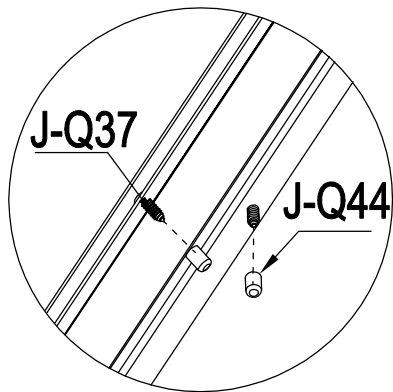
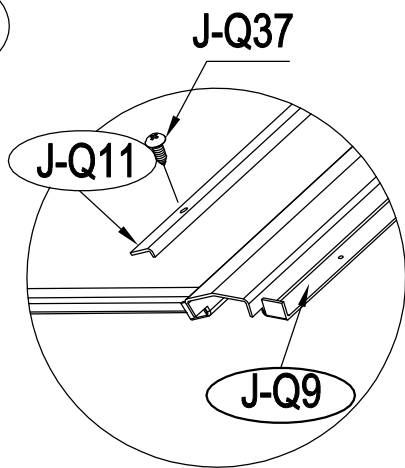


X 8

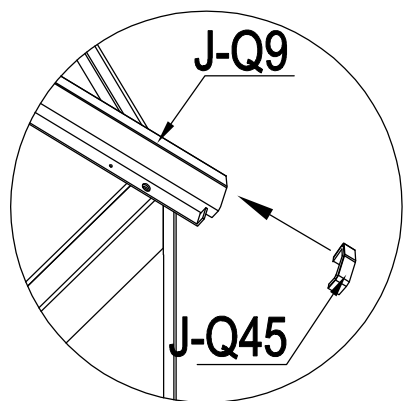




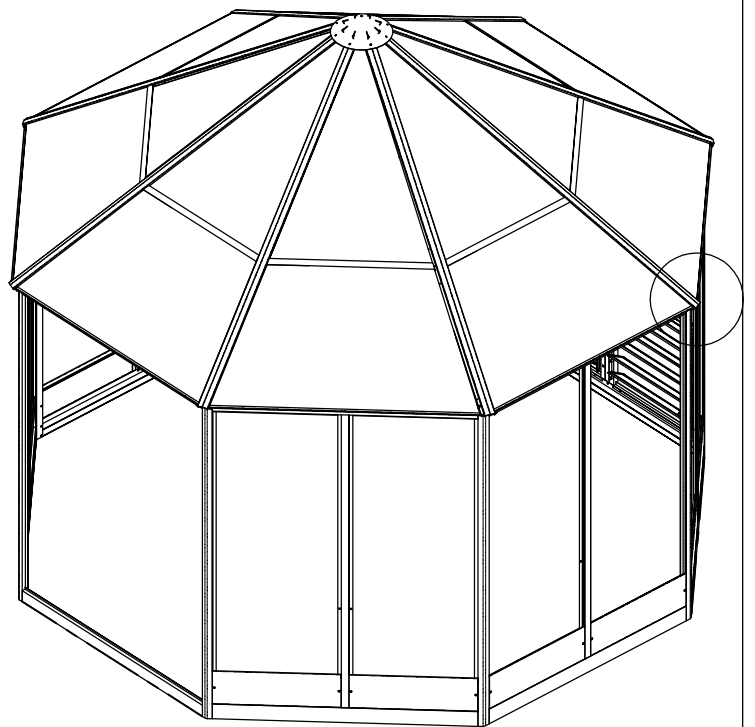
17



18

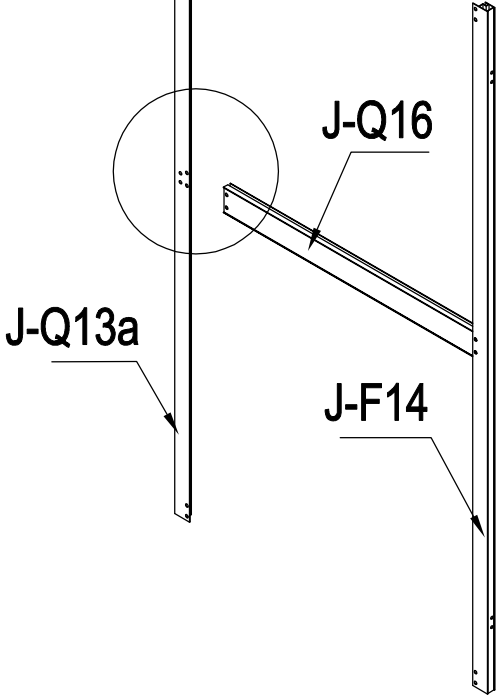
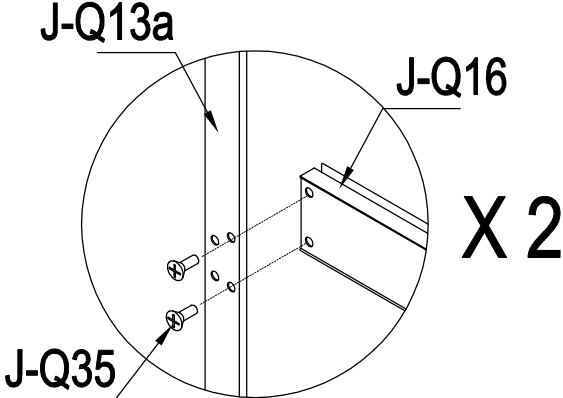


X 8

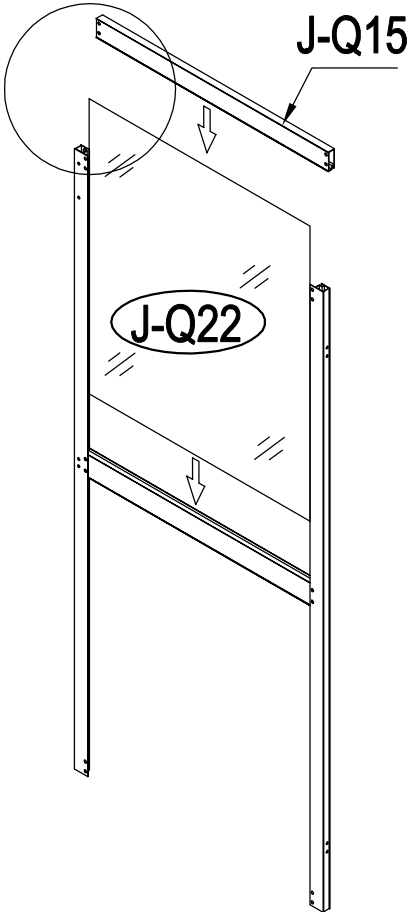
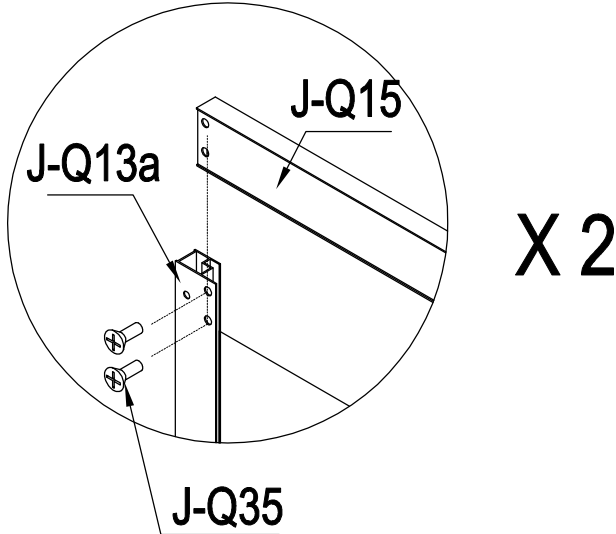


19

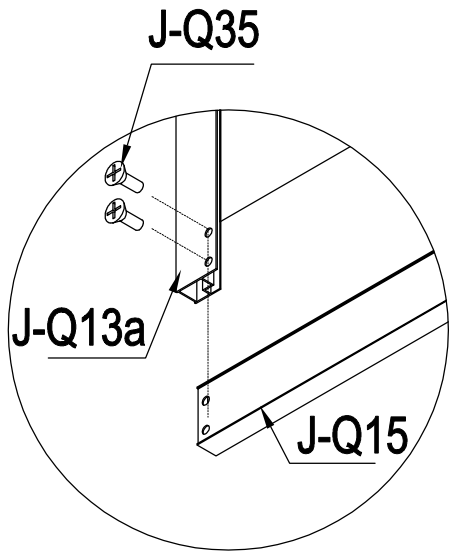
Door



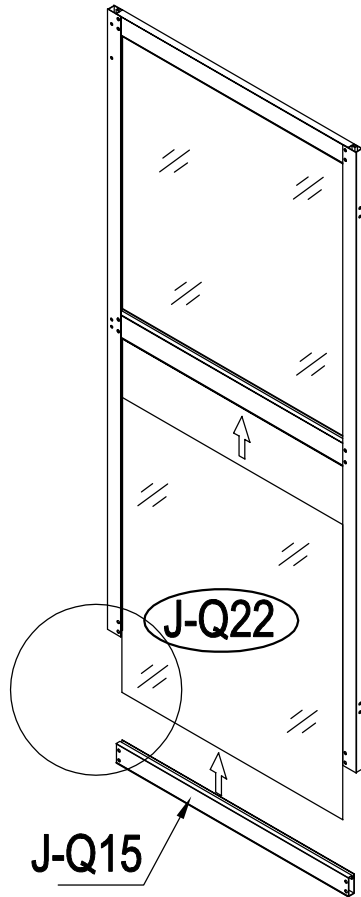
20



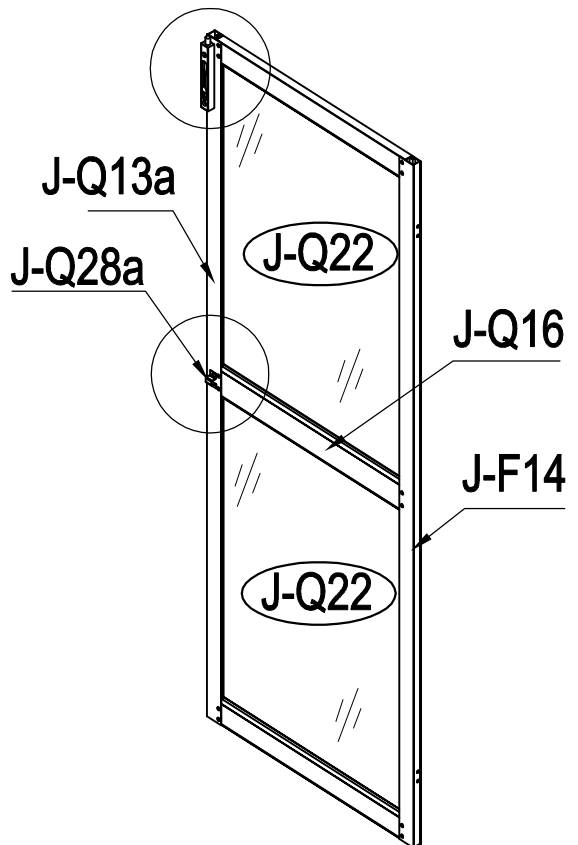
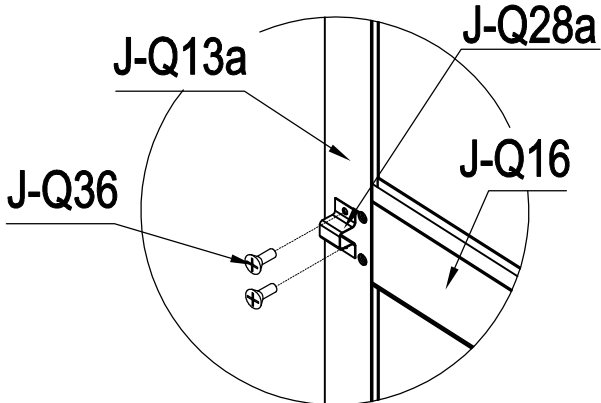
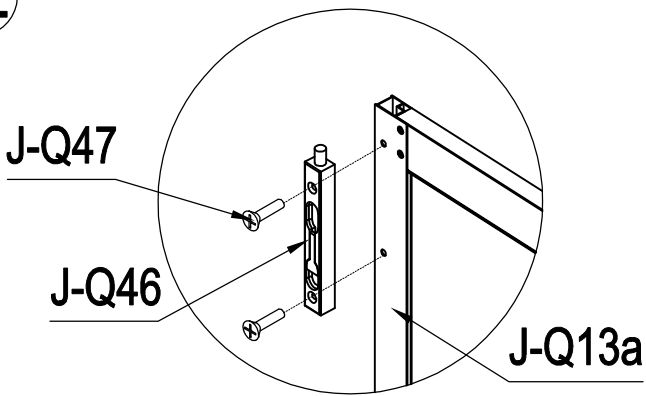
21



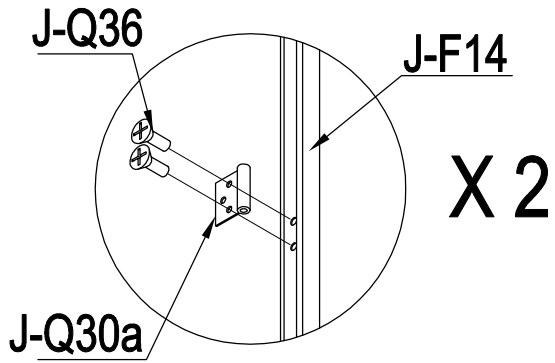
X 2



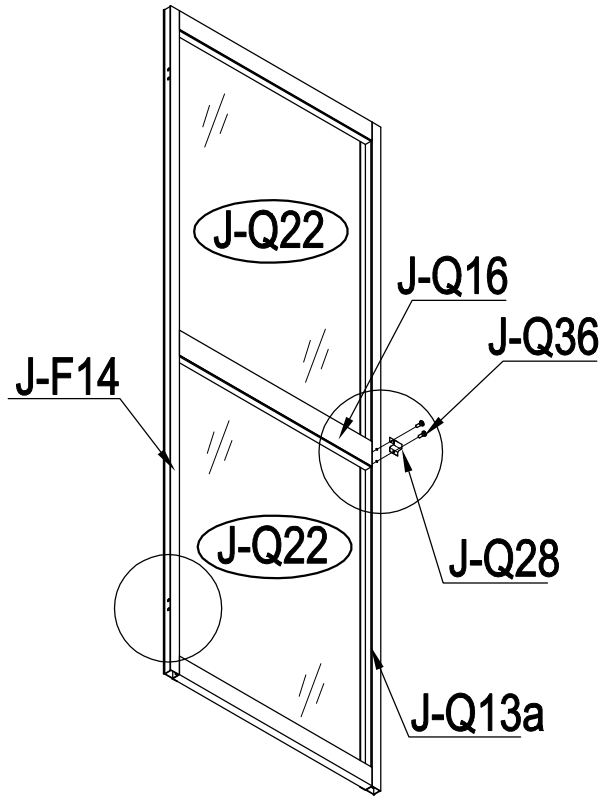
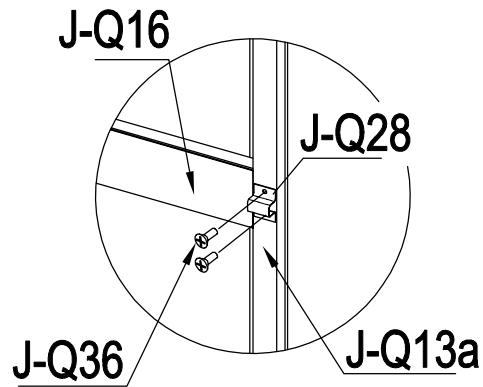
22



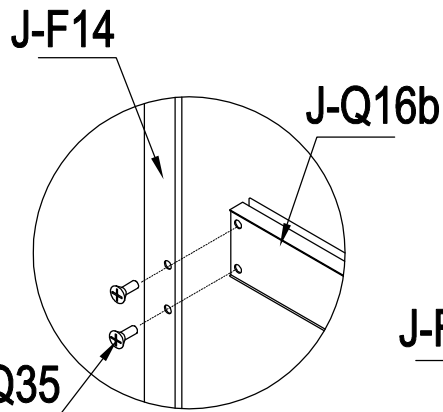
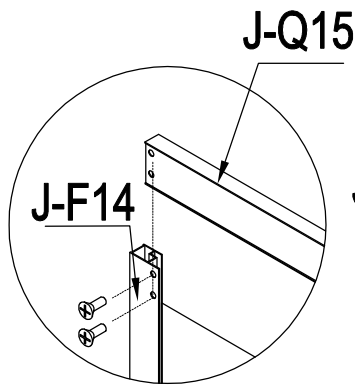
23



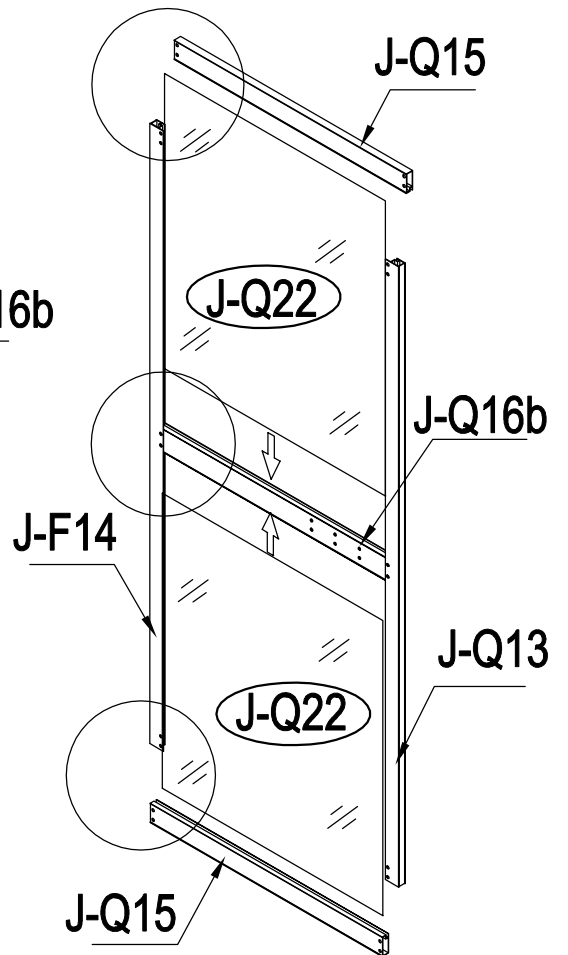
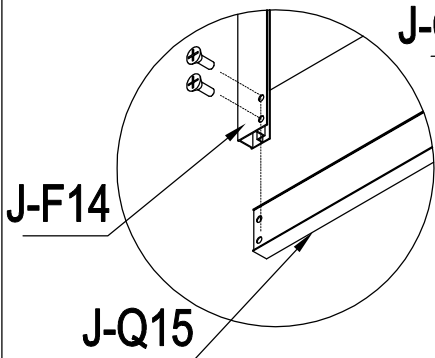
X 2



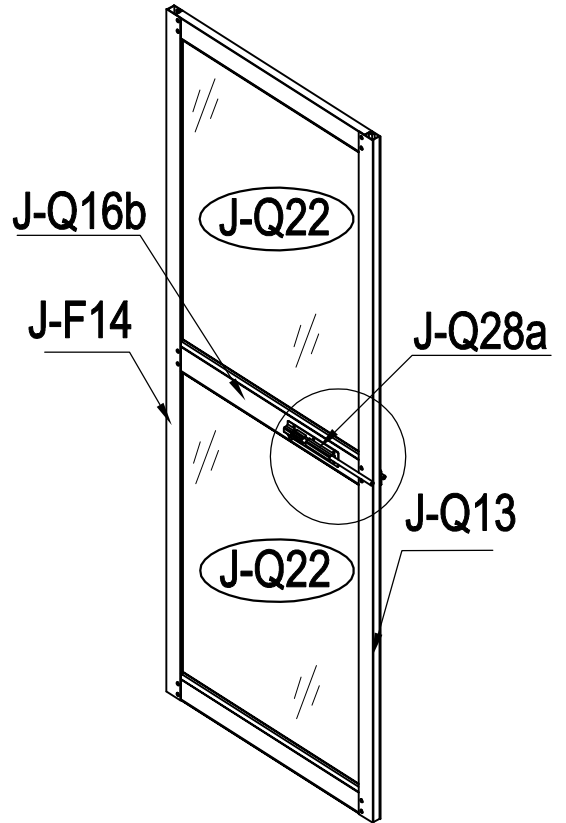
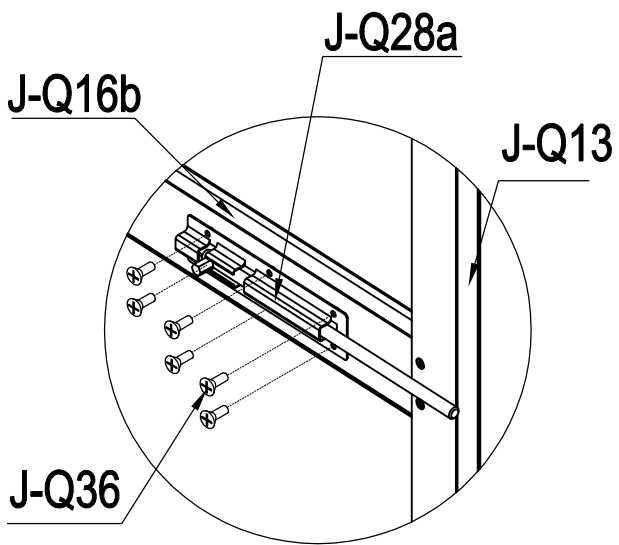
24



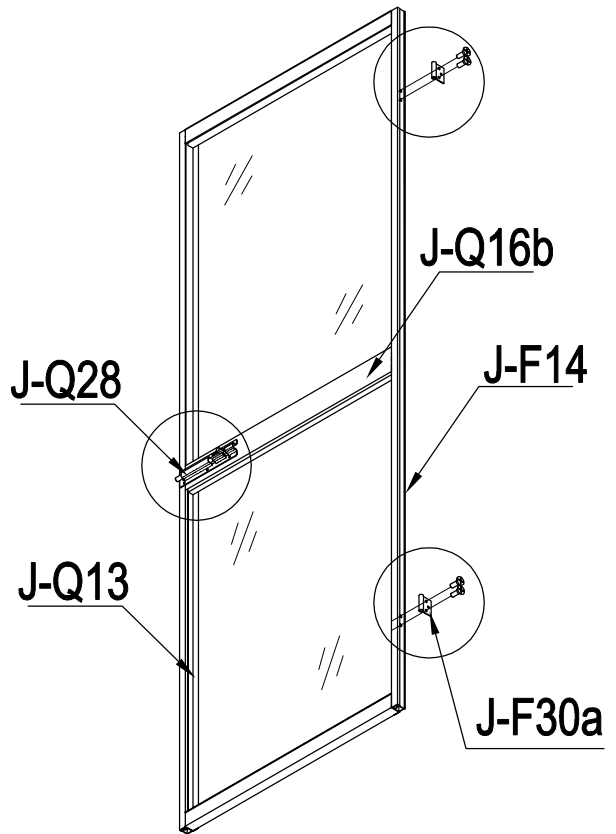
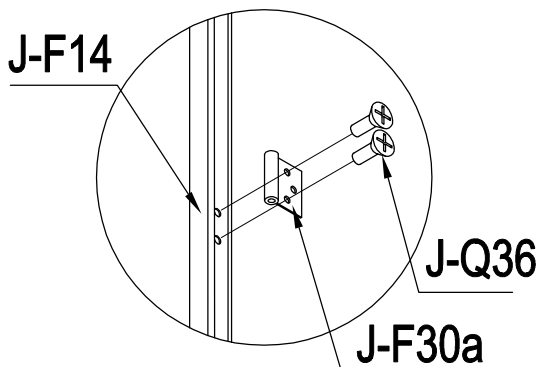
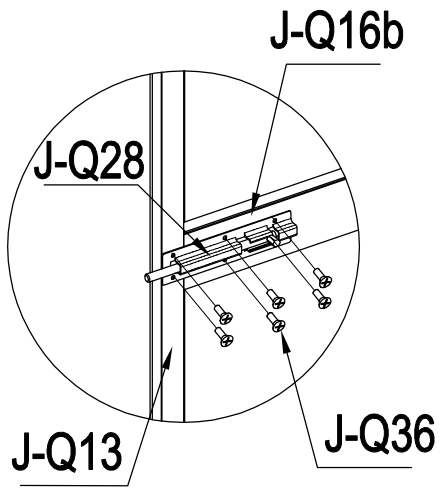
X 2



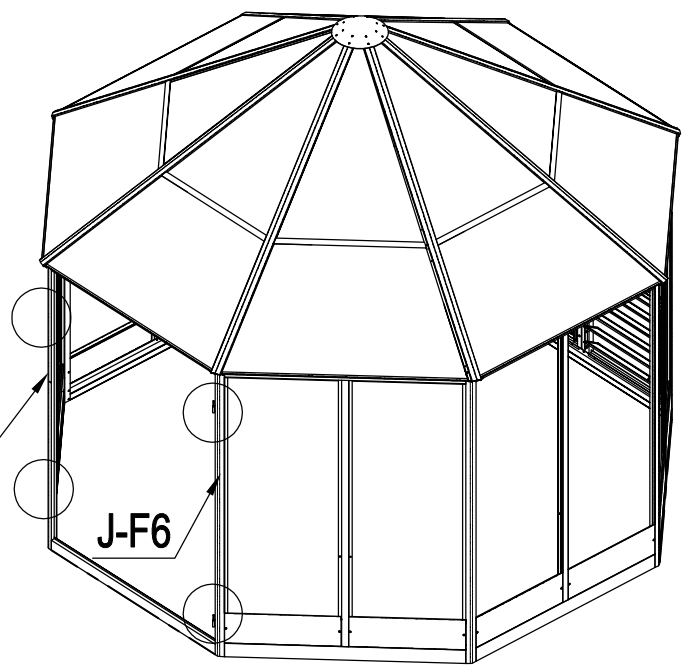
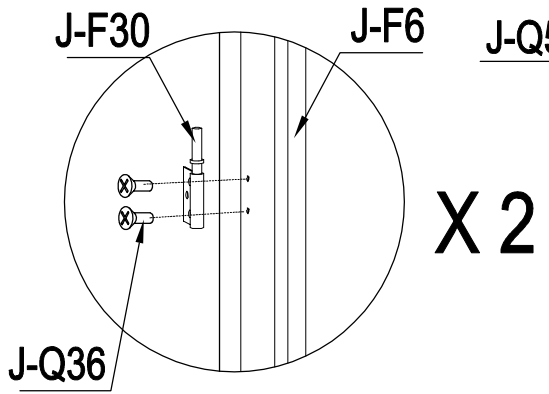
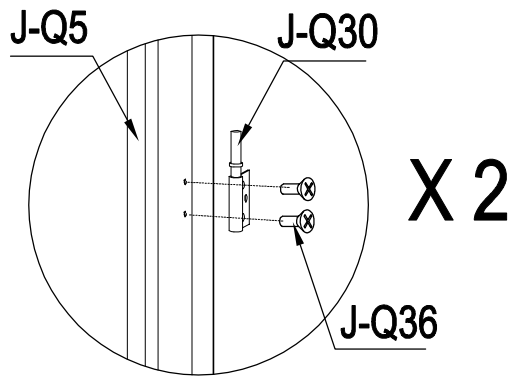
25



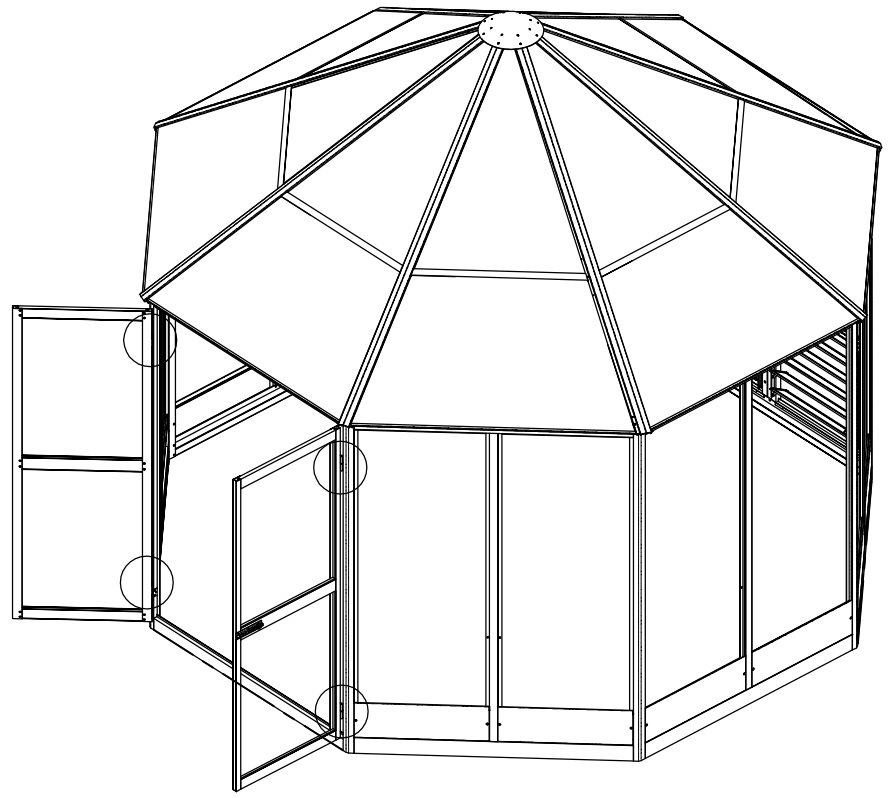
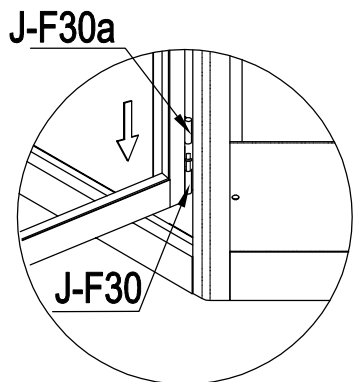
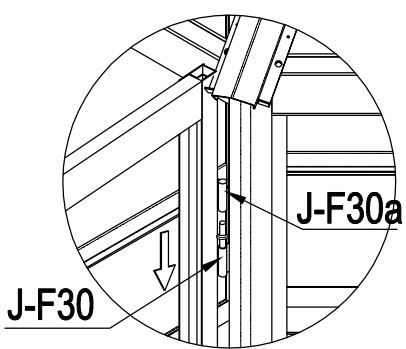
26



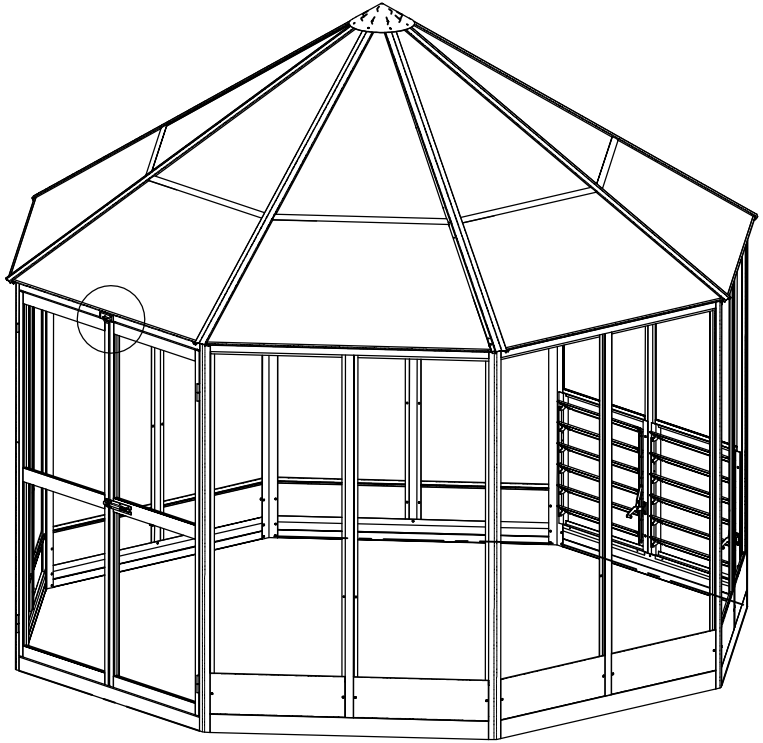
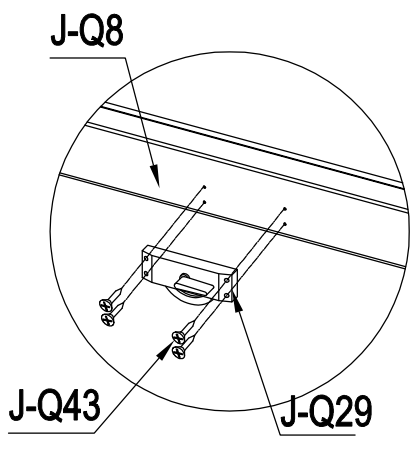
27



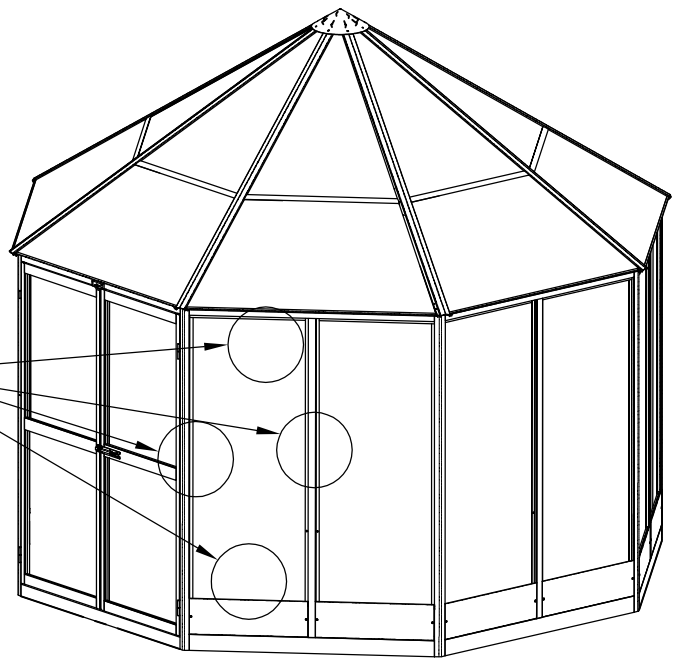
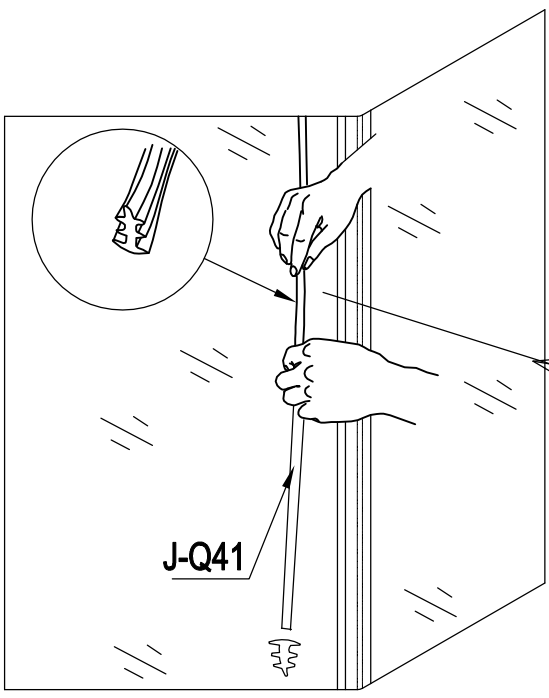
28



29



30 Cut the sealing strip J-Q41 with suitable length, then press it into the grooves. Make sure all around of the solid polycarbonate panel are securely fixed.



Contact information

Head office:

Dancover A/S
Lyngevej 16A, Nørre Herlev
3400 Hillerød
Denmark

For more information
please visit:

www.dancovershop.com

National contact

Denmark:

denmark@dancover.com

UK:

uk@dancover.com

Germany:

germany@dancover.com

France:

france@dancover.com

Sweden:

sverige@dancover.com

Finland:

suomi@dancover.com

Poland:

polska@dancover.com

Luxembourg:

luxembourg@dancover.com

Portugal:

portugal@dancover.com

Spain:

espana@dancover.com

Italy:

italia@dancover.com

Switzerland:

schweiz@dancover.com

Austria:

austria@dancover.com

Norway:

norge@dancover.com

Nederland:

nederland@dancover.com

Ireland:

ireland@dancover.com

Belgium:

belgique@dancover.com