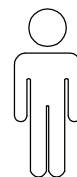
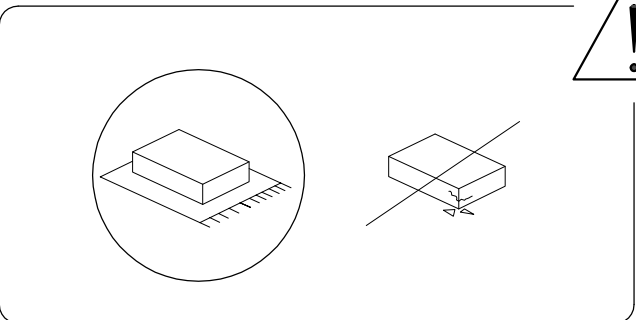
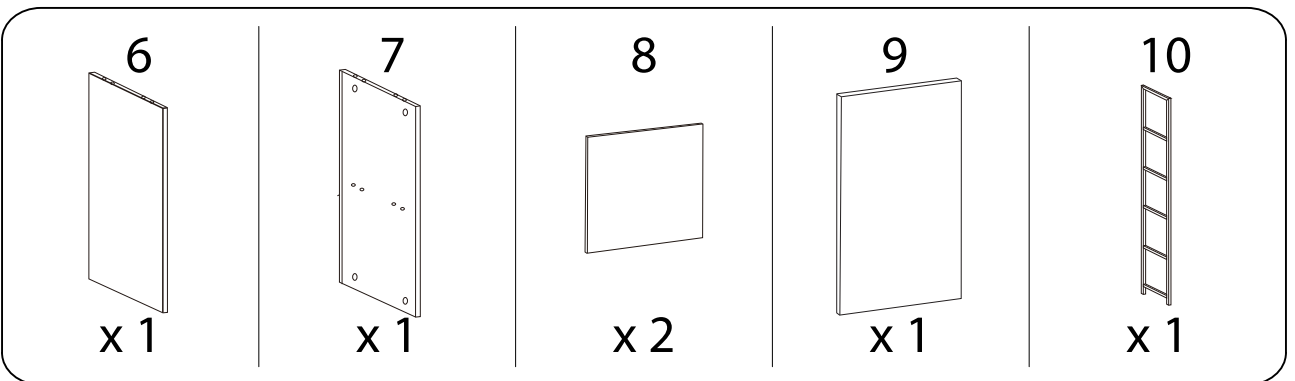
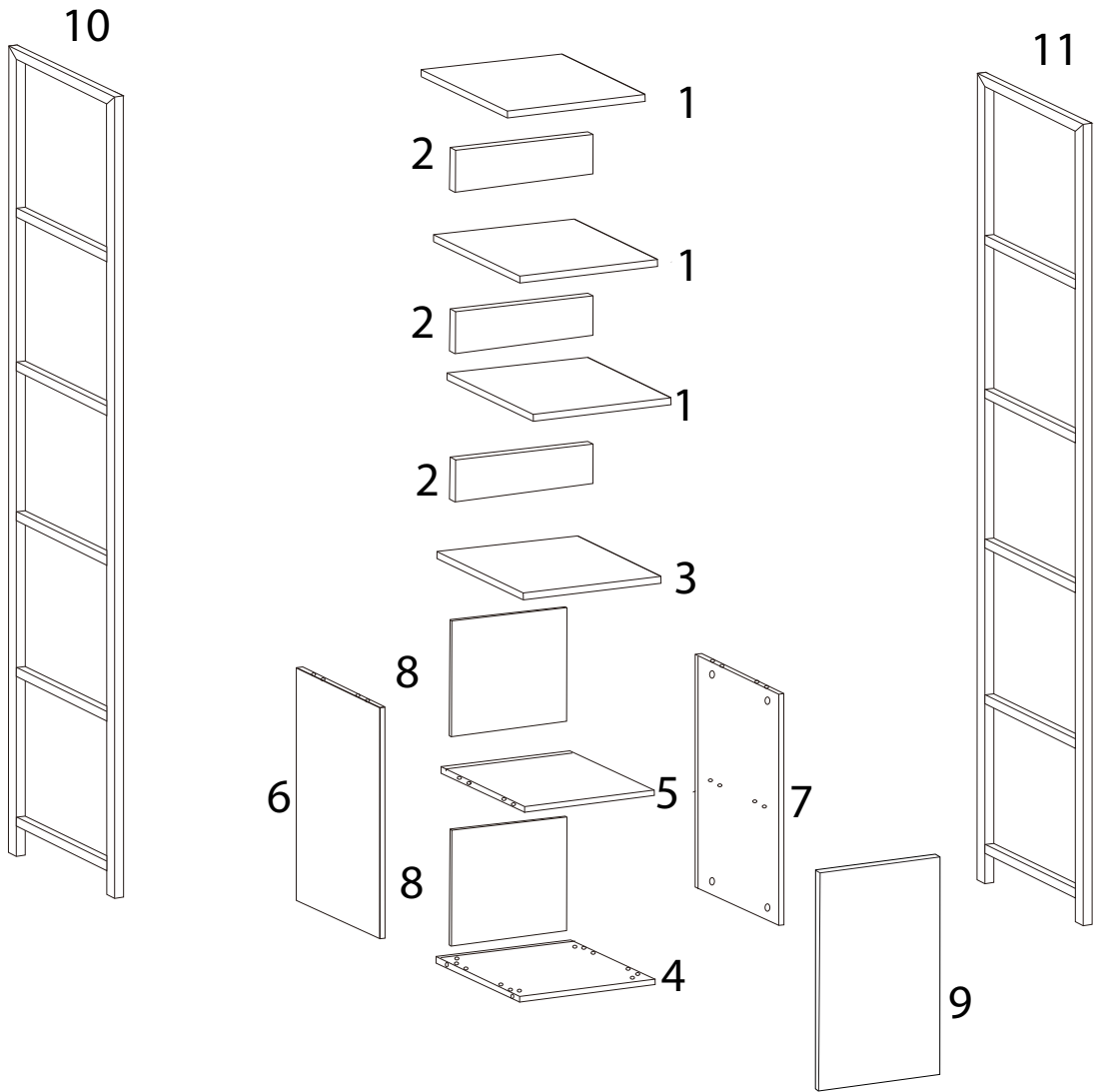
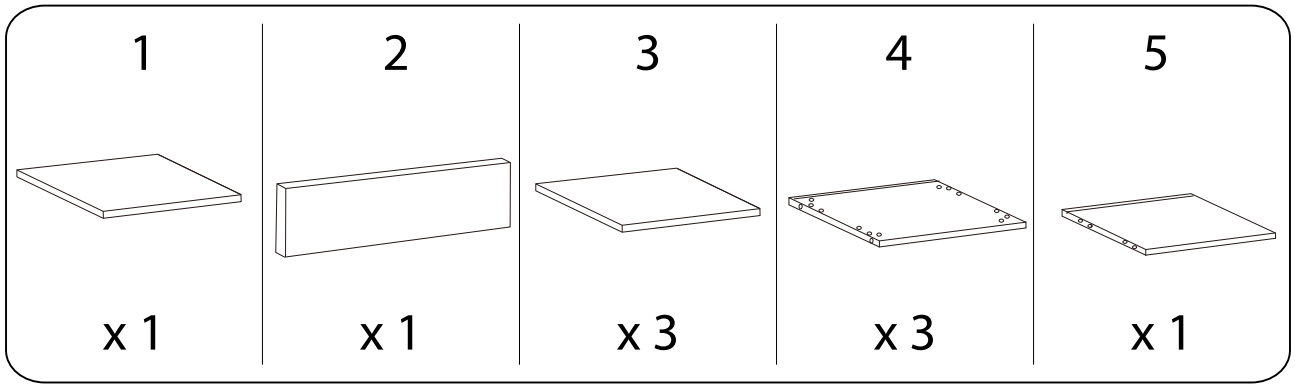


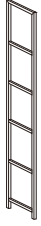
30'



1

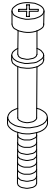


11



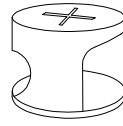
x 1

A



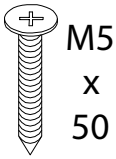
x 12

B



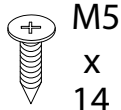
x 12

C



x 32

D



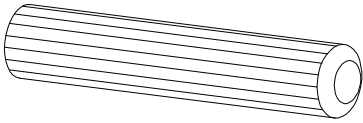
x 12

E



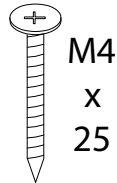
x 8

F



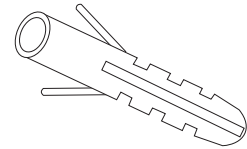
x 12

G



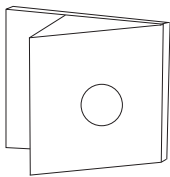
x 2

H



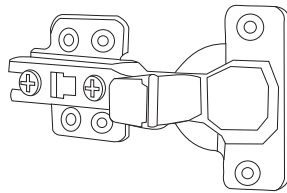
x 2

I



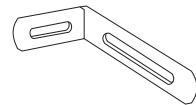
x 8

J



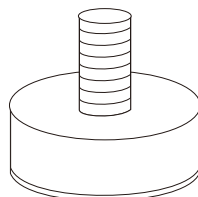
x 2

K



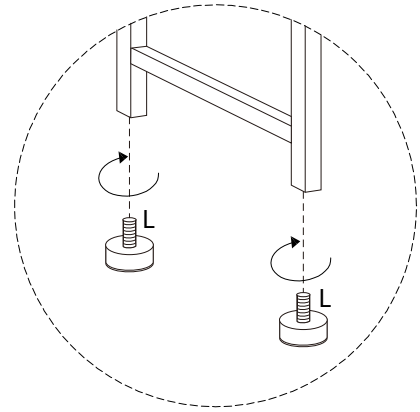
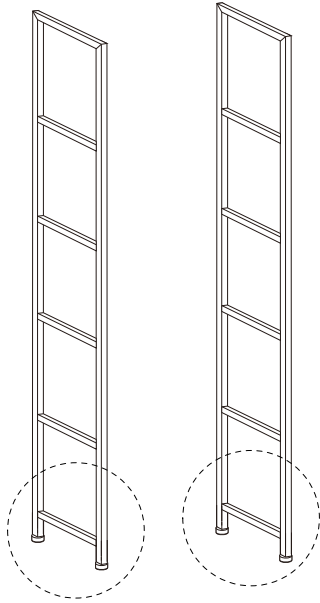
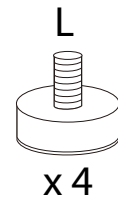
x 2

L

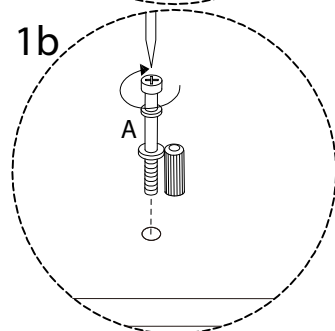
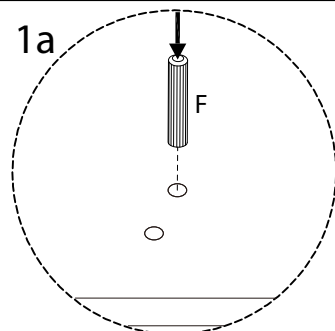
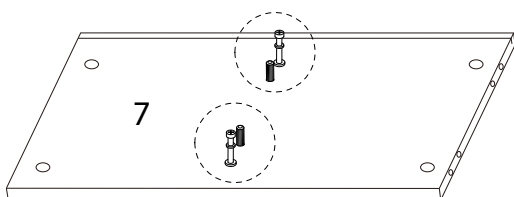
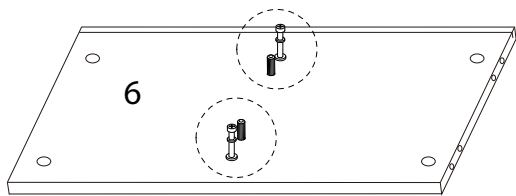
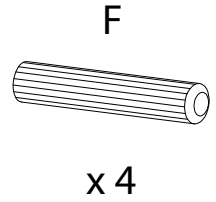
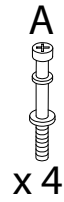


x 4

1

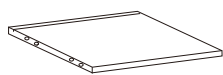


2



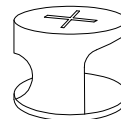
3

5

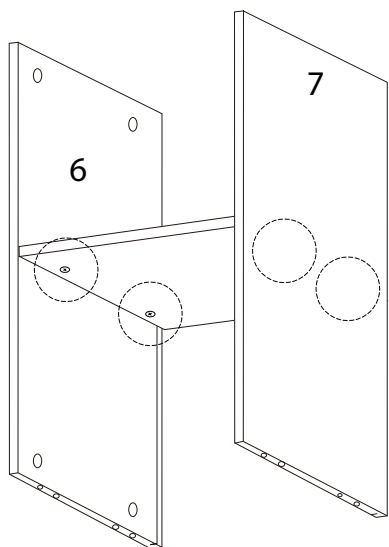


x 1

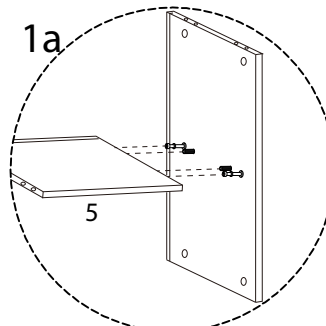
B



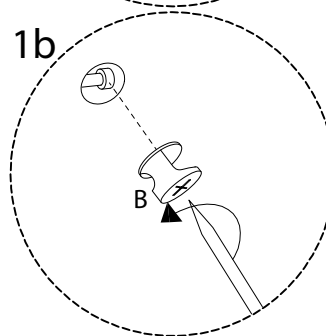
x 4



1a

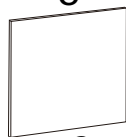


1b

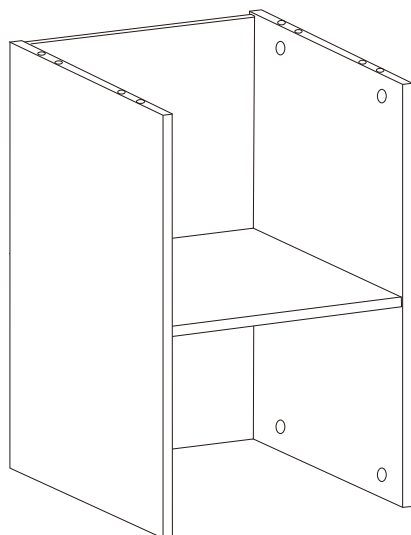


4

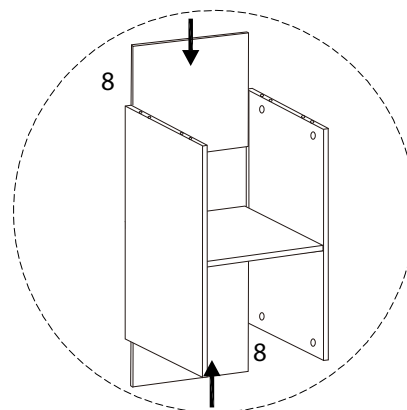
8



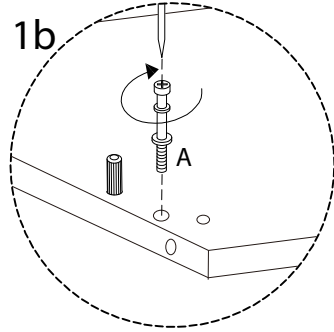
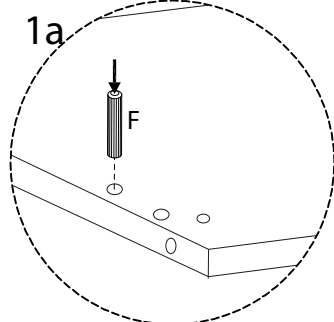
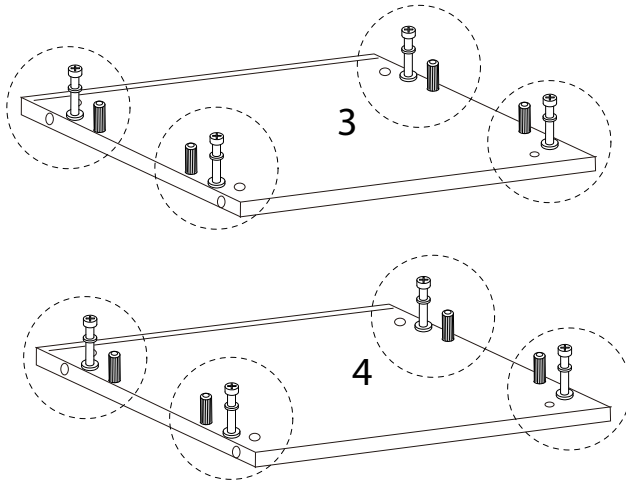
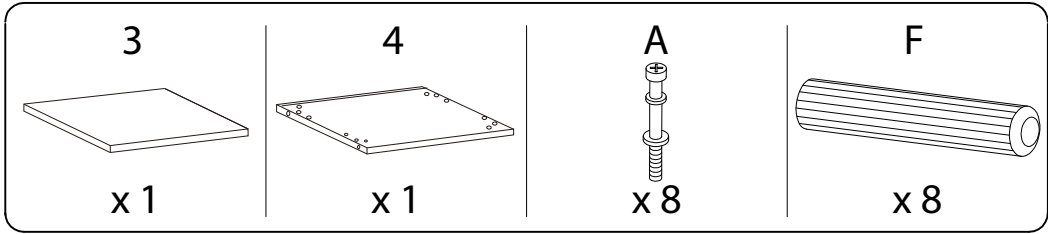
x 2



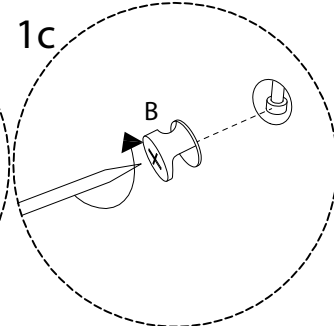
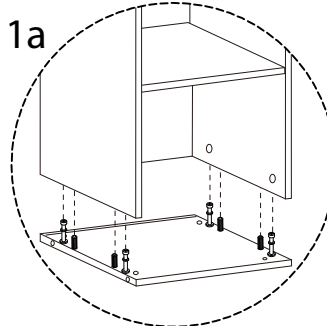
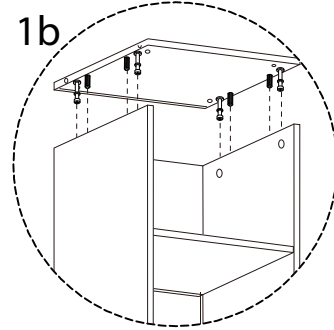
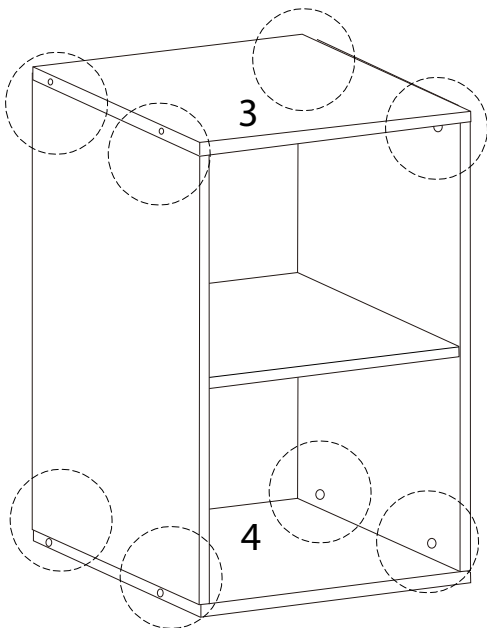
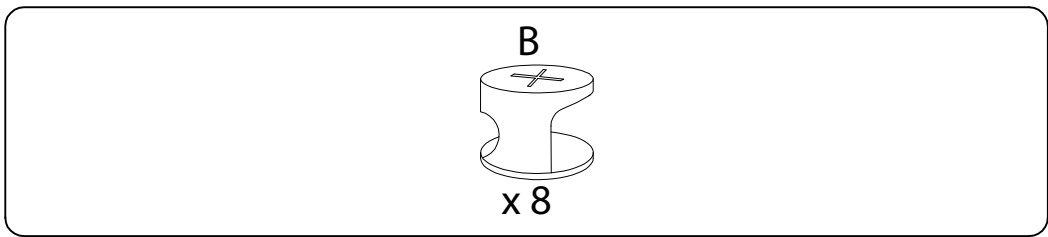
8



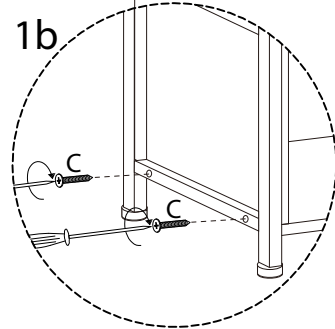
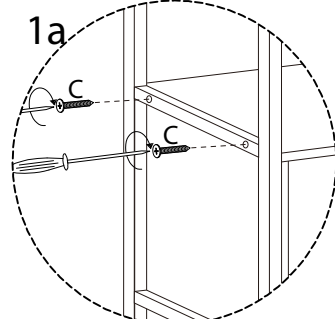
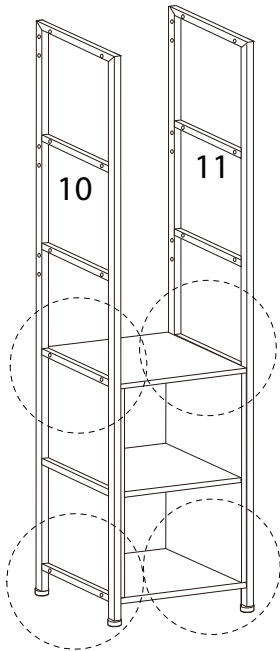
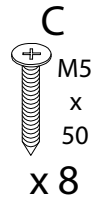
5



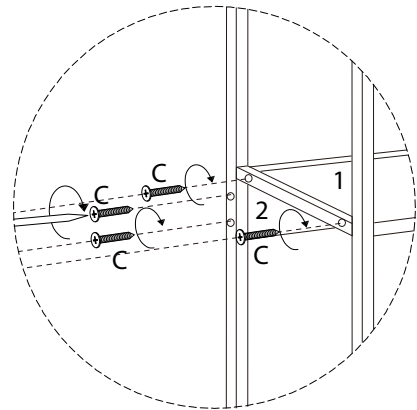
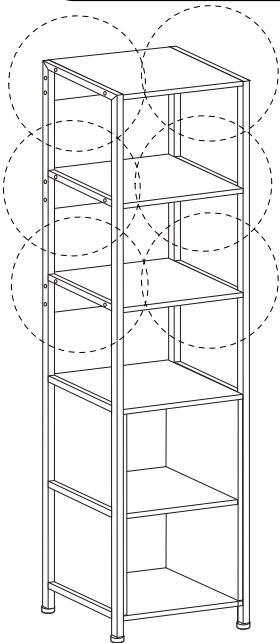
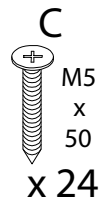
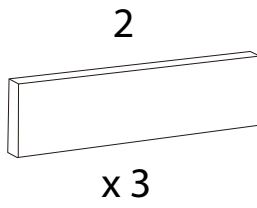
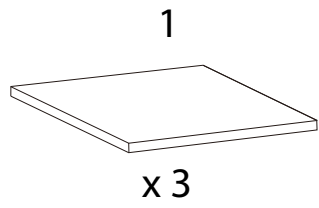
6



7

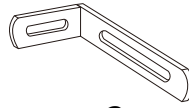


8

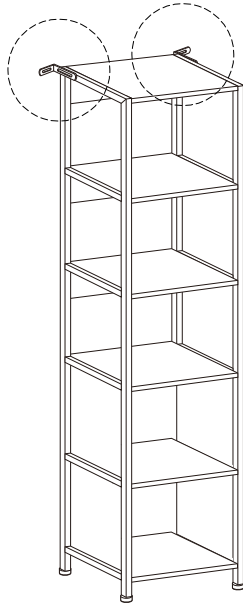


9

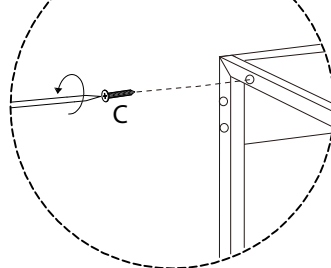
K



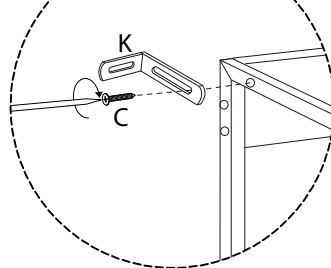
x 2



1a



1b



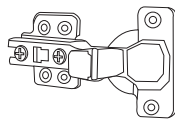
10

9



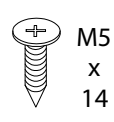
x 1

J



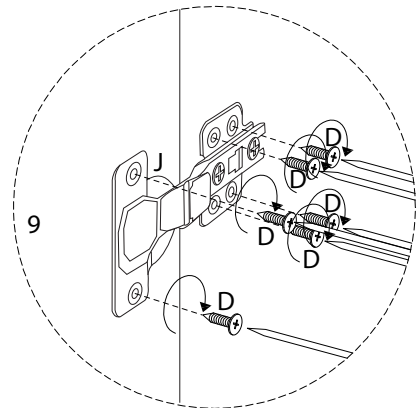
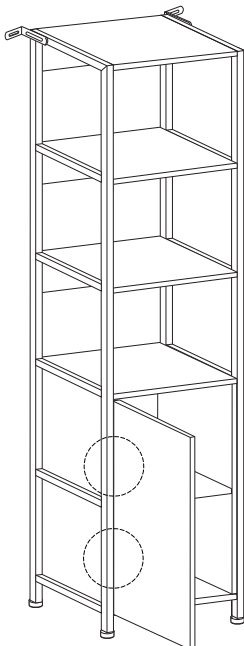
x 2

D



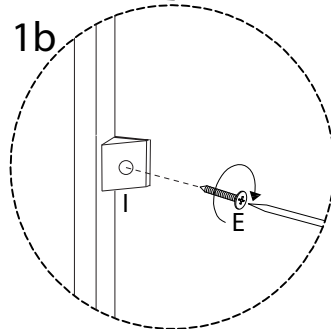
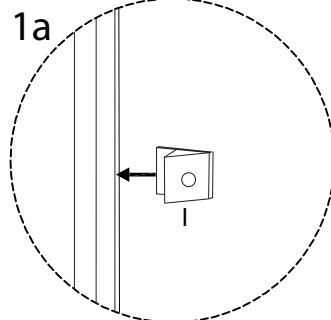
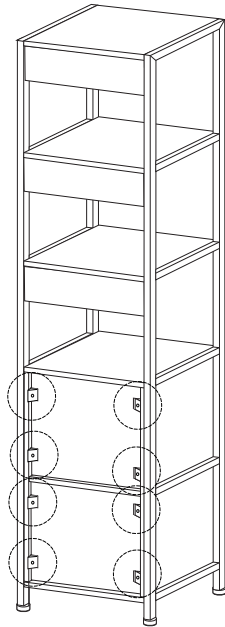
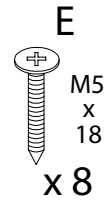
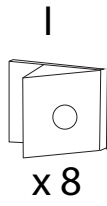
M5  
x  
14

x 12





11



12

