

WILKS USA

PRESSURE WASHERS

OPERATION MANUAL



TX850
Petrol Pressure Washer



Read this manual carefully before use and keep it for future reference. Failure to do so may result in injury, property damage and may void the warranty.

Products covered by this manual may vary in appearance, assembly, inclusions, specifications, description or packaging.

English Français Deutsch Italiano Español

V 3.0

Contents

Language

02 - Contents
03 - Safety
04 - Quick start guide
05 Assembly
05 Before starting
06 Connections / Pump
07 Starting
08 Stopping
08 - Using detergent
09 - Drawing from a barrel
09 - Nozzles
10 - Maintenance
10 Spark plug
10 Oil change
11 Air filter
12 Service schedule
13 - Storage
13 Removal from storage
14 - Troubleshooting
16 - Specifications
17 - CE declaration of conformity

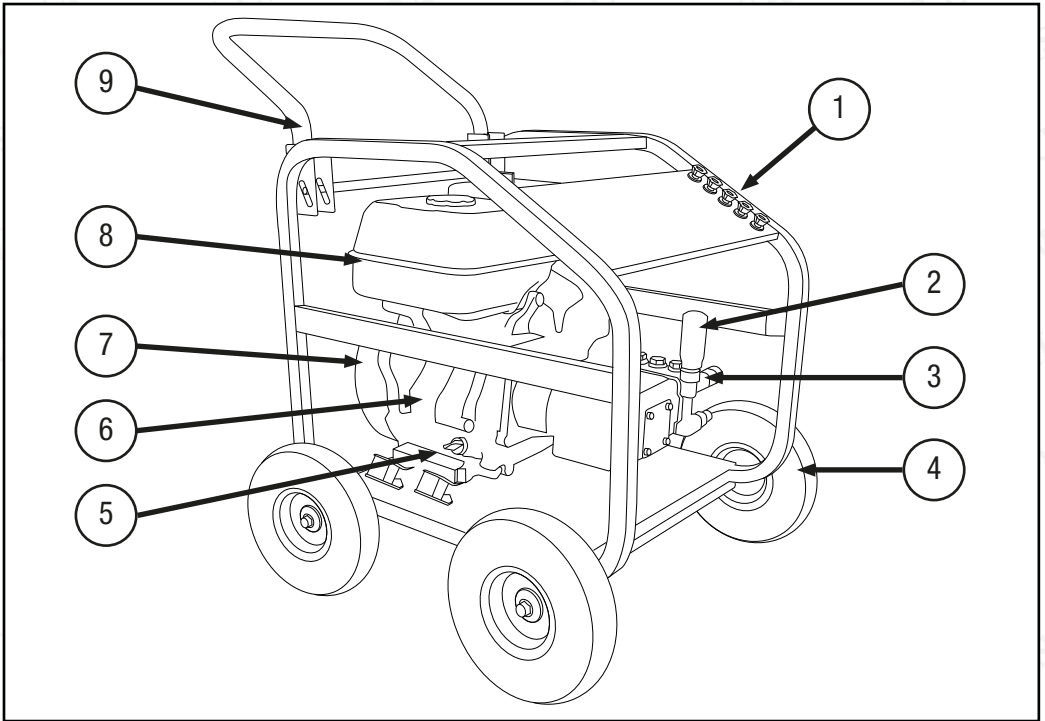
18 - Français
35 - Deutsch
52 - Italiano
69 - Español

Safety

- Always remove any excess water from the system after use to avoid freeze damage.
- Do not touch the nozzle or water spray while operating.
- Never spray directly at the pressure washer or any electrical units / wires.
- Never run the washer with damage to the high pressure hose.
- All hose connections must be properly sealed.
- Never disconnect the high-pressure hose from the machine while the system is still pressurised.
- Never operate when there is a noticeable change in engine speed, a noticeable loss of pressure, an engine misfire, signs of smoke or fire, excessive vibration or if there is rain or inclement weather.
- All equipment must be placed on a firm, level and stable surface.
- Keep the pressure washer clean and free of oil, mud and dirt.
- Be sure ice has not formed in any part of the equipment before starting.
- Wear safety goggles while operating.
- Never directly spray the hose at people or animals.
- Never allow children to operate the pressure washer at any time.
- The spray gun should be secured by locking the trigger when not in use.
- Do not run the pressure washer for more than two minutes without depressing the trigger.
- Test the pressure washer on a small inconspicuous area first. Some surfaces can be damaged by high pressure water spray.
- Before every use, check oil level
- Only use unleaded gasoline with an octane level over 86.
- Ensure your hose does not touch the hot exhaust during or after use.
- Ensuring the water supply is clean and free of any foreign objects.
- Inlet water temperature must not exceed 40°C and 20 PSI.

Quick start guide

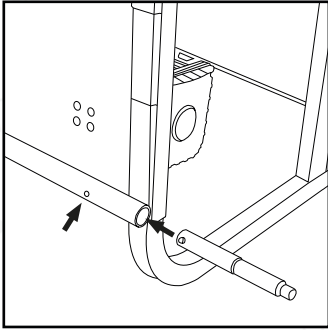
The following steps describe the quickest method to get your pressure washer up and running. However, it is essential you fully read this manual to ensure you are familiar with the general safety features, precautions and functions necessary to operate the product. Failure to do so may result in injury and damage to your washer or personal items.



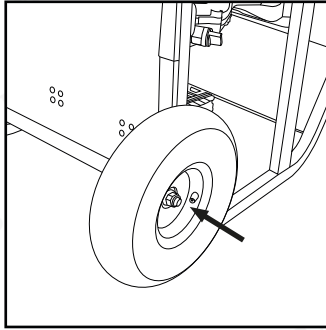
1. Nozzle panel
2. Pressure adjuster
3. Pump
4. Wheels
5. Oil bung

6. Engine
7. Recoil starter
8. Fuel tank
9. Handle

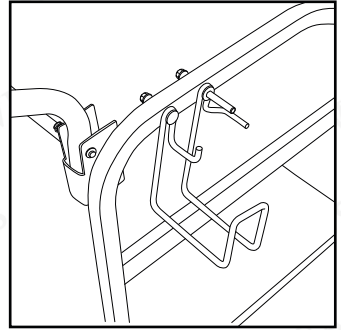
Assembly



Locate the axle holes on the underside of the frame. Insert the axle so the sprung clip locks in place



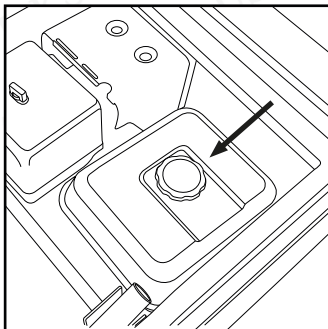
Slide the wheel over the axle and secure with the nut.



Attach the gun hook to the frame. Slide the threaded prongs through the holes and secure with two nuts.

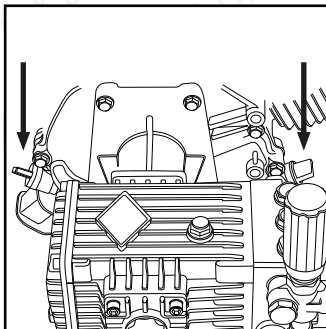
Before starting

Note: the washer will automatically shut down if insufficient oil is detected.



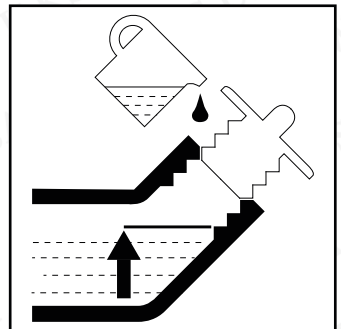
Add fuel:

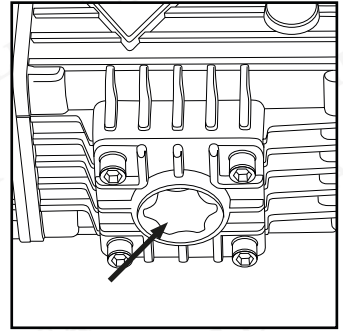
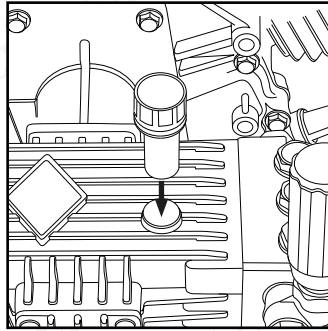
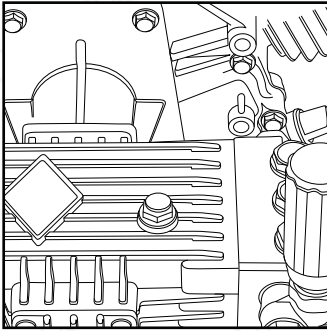
1. Open the filler cap
2. Fill with unleaded petrol up to the filter
3. Replace filler cap



Add oil:

1. Locate the filler bungs on either side of the engine
2. Place washer on a level surface
3. Open the oil filler bung
4. Fill with 10W-40 semi-synthetic oil up to the threads
5. Replace oil filler bung

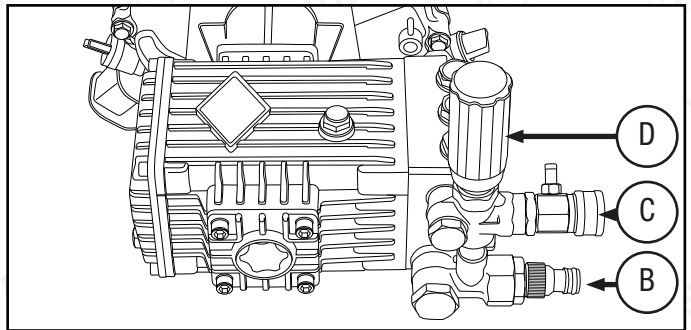
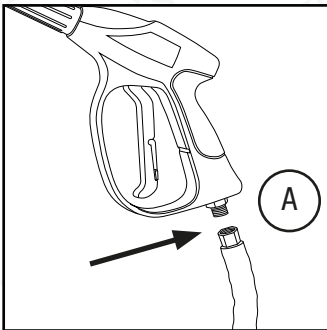




- The pump is fitted with a black shipping plug which prevents pre-filled oil from escaping during transit.
- This must be replaced with the yellow breather plug before use.

Ensure oil is half way up the level

Connections / Pump

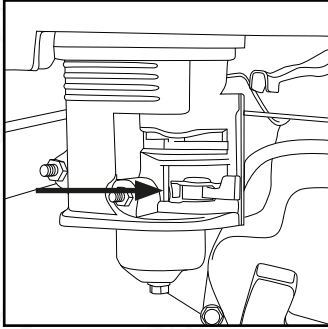


1. Connect the high pressure hose to the gun 'A'
2. Connect the high pressure hose to pump 'C'
3. Connect a mains supply hose to the water inlet 'B'

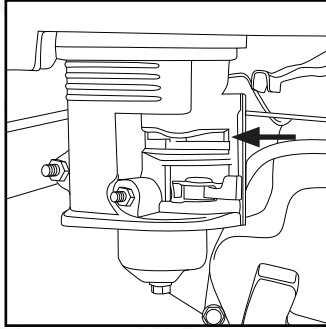
Rotate the pressure adjuster 'D' to control the PSI of the pump.

Starting

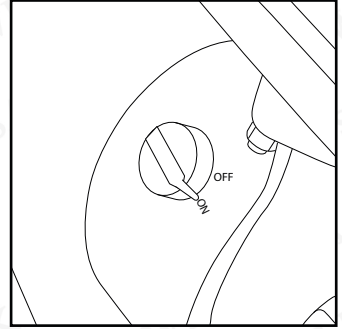
Before starting, connect the gun and hoses as described in 'Connections'



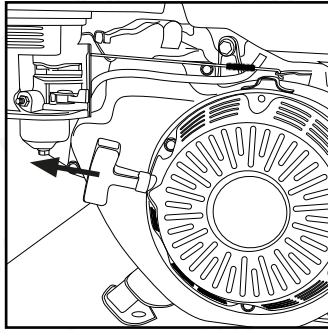
Turn the fuel tap on by sliding to the right



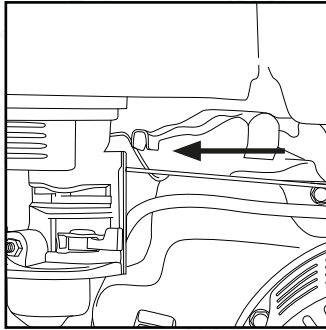
Set the choke to the left (closed position)



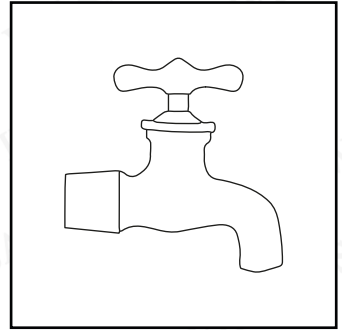
Turn the engine switch to the on position



Pull recoil handle firmly to start engine



Once running pull throttle to the left (open position)

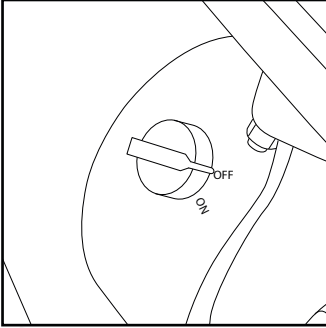


Turn on water supply

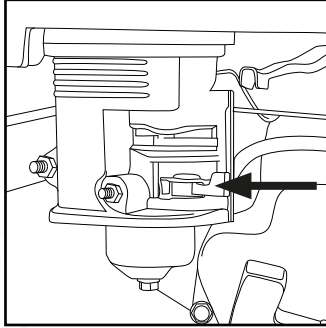
Once running and the engine has warmed up, return the choke to the right (open) position.

If restarting a warm engine there is no need to move to the left.

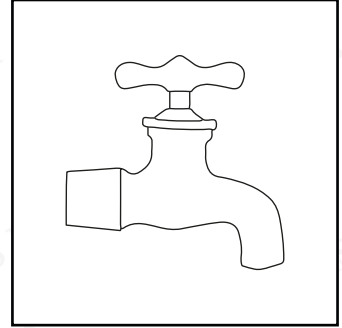
Stopping



Turn the engine switch to the off position



Turn the fuel tap off by sliding to the left



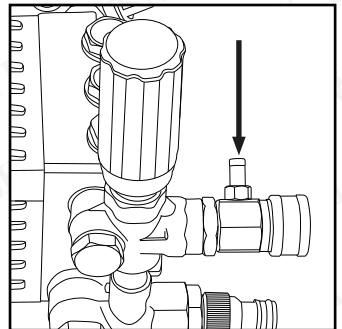
Turn the water supply off

Note: make sure you depress the trigger on the gun to fully drain any residual water left in the system. Failure to do so can result in damage due to corrosion or water expansion when freezing.

Using detergent

1. Fill a suitable container with pressure washer detergent to mix as necessary. Do not use washing up liquid as it contains salt.
2. Fit the blue / black nozzle to the end of the lance.
3. Connect the detergent tube to the pump and submerge the other end in the solution
4. Suction and mixing will occur as water flows through the pump.

Note: a thick viscous detergent will not flow freely from the detergent tank and the residue is likely to cause a blockage in the system. After using the detergent facility it should be flushed thoroughly with clean water to remove any trace of detergent.

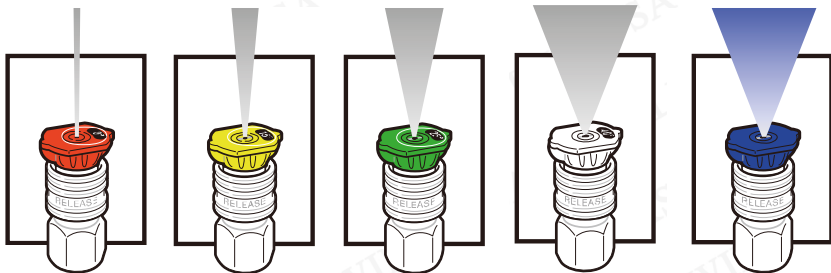


Drawing from a barrel

First ensure the machine is switched off before connecting / disconnecting any hoses or attachments. Instead of attaching the hose from pump to tap, use the supplied hose and filter set placing the filter end in the water supply.

It is advised that the water supply is on the same level as the washer. If you struggle to get initial suction, remove the outlet hose from the pump and try drawing again - this reduces the pressure on the pump making it easier to draw. Once flowing, turn engine off and reconnect outlet hose before re-starting.

Nozzles



0° Nozzle (Red) - This nozzle delivers a pinpoint stream of pressurized water and is extremely powerful. It should only be directed at surfaces that can withstand high pressure such as metal or concrete.

15° Nozzle (Yellow) - This nozzle delivers a powerful 15-degree spray pattern for intense cleaning of small areas. This nozzle should only be used on areas and materials that can withstand very high pressure.

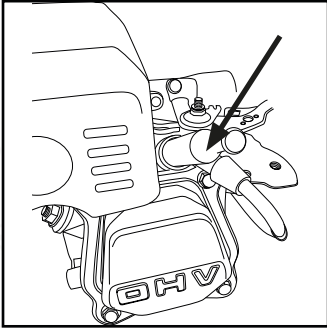
25° Nozzle (Green) - This nozzle delivers a 25 degree spray pattern for intense cleaning of larger areas. This nozzle should only be used on areas that can withstand very high pressure.

40° Nozzle (White) - This nozzle delivers a 40-degree spray pattern and a less powerful stream of water. This nozzle can cover a wide area and can be used for most general cleaning jobs.

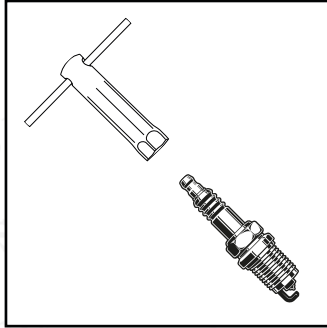
Detergent Nozzle (Blue/Black) - This nozzle is used to apply detergent and cleaning solutions. This nozzle produces the weakest pressure of the three nozzles.

Maintenance

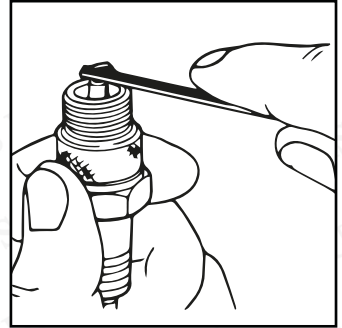
Spark plug



Remove spark plug cap

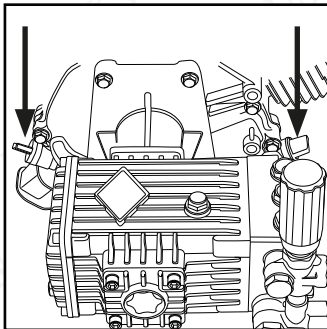


unscrew the spark plug
using the supplied tool

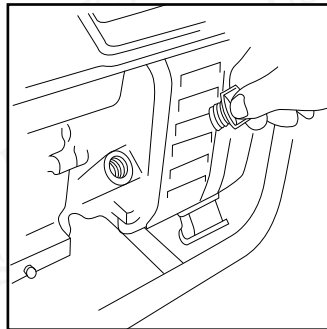


Check the gap using a
gauge. The gap should be
between 0.7-0.8mm.

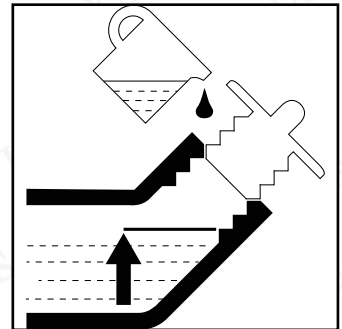
Oil change



Locate and remove either
of the oil bungs on the side
of the engine



Place a pan under one side
and tilt the unit to drain oil.

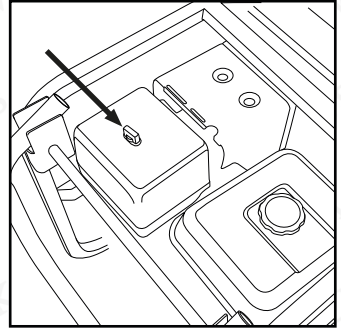


Add 10W-40 semi
synthetic oil to the upper
limit of the filler hole

Air filter

The air filter is installed on the intake system of the engine. It allows clean air to flow into the engine to provide the correct air/fuel mixture.

1. Undo the catch on top of the air filter cover
2. Check air filter to ensure it is free of dirt build-up
3. If dirty, remove filter and clean with a solvent cleaning solution
4. Squeeze to remove water and allow to dry
5. Add a few drops of oil
6. Squeeze tight to distribute oil and remove any excess
7. Install air filter and cover



Service schedule

Component / Task	Every Use	After First 5 Hours Use	After First Month or 20 Hours Use	Every 3 Months or 50 Hours Use	Every 6 Months or 100 Hours Use	Every Year or 300 Hours Use
Engine Oil	Check	Replace	Replace			
Oil Leaks	Check/repair as necessary					
Air Filter	Check	Clean	Clean and replace as necessary	Clean and replace as necessary		
Valve Clearance						Adjust as necessary
Combustion Chamber						De-coke as necessary
Idle Speed					Check/adjust as necessary	
Nuts & Bolts	Check/tighten as necessary					
Fuel Tank				Flush and clean		
Fuel Line	Check	Check/Clean	Clean and replace as necessary	Clean and replace as necessary		
Fuel Filter	Check	Check/Clean	Clean and replace as necessary	Clean and replace as necessary		
Spark Plugs		Check/Clean	Clean and replace as necessary	Clean and replace as necessary		

Storage

If the washer is not to be used or is to be stored for more than one month the following storage procedure should be carried out:

1. Drain all the fuel from the fuel tank and the carburettor. Ensure that all fuel has been removed.
2. Remove the spark plug and pour approximately one table spoon full of clean engine oil into the spark plug hole.
3. With the ignition turned OFF, gently pull on the recoil starter handle several times.
4. Re-fit the spark plug and continue to pull the recoil starter handle until the piston is on the compression stroke (when resistance is felt) then stop pulling.
5. Store the pressure washer in a dry well ventilated place under a cover to prevent any dust or debris from accumulating on the pressure washer.

If the pressure washer is not being used for more than three months or if there is any danger of ice or frost where the unit is stored, especially during the winter months, certain precautions must be taken to ensure no damage occurs to your washer or gun. Follow the previous steps for storage but also ensure there is no water left inside the unit. The pump may require insulated protection from freezing conditions. The gun must be drained of fluids to avoid water expansion as this will damage your gun.

Removal from storage

No fuel should have been left in the unit. However if any fuel is present, ensure this is removed from the tank and carburettor before refuelling with fresh fuel. Check the deposit cup and empty if necessary.

Note: old fuel will not combust correctly and could damage your engine.

Troubleshooting

Fault	Probable Cause	Remedy
Fluctuating Pressure	Pump sucking in air	Check connections are tight
	Blocked jet	Remove blockage using jet cleaning tool
The pump does not reach the required pressure	Pump sucking in air from connections or hose	Check connections are tight
	Suction/delivery valves are clogged	Clear or replace valves. Have machine checked by service centre
	Unload valves are stuck	Loosen and re-tighten regulating screw
	Lance or nozzle worn out	Check and/or replace
Pump is running but no water delivery	Kinked inlet and or pressure hose	Check, straighten and replace if required
	Blocked inlet filter	Remove and clean filter
	Blocked jet	Remove blockage using jet cleaning tool


Fault		Probable Cause		Remedy	
Engine won't start Low engine output Engine runs erratically	Insufficient compression	Loose spark plug		Tighten plug	
		Loose cylinder head bolt		Tighten bolt	
		Damaged gasket		Replace gasket	
	Sufficient compression	Fuel System Problems			
		No fuel supplied to combustion chamber	Insufficient pulling speed for recoil starter		Pull rope sharply
			Foreign matter in fuel tank		Clean tank
			Clogged fuel line		Clean fuel line
			No fuel in tank		Add fuel
			Fuel tap not open		Open fuel tap
		Combustion System Problems			
		Combustion chamber (Poor spark)	Spark plug dirty with carbon or wet with fuel		Remove carbon or dry spark plug
			Damaged spark plug		Replace spark plug
			Faulty magneto		Consult dealer
		Combustion chamber (Good spark)	Improper adjustment of carburettor		
		Insufficient oil			On a level surface, ensure oil is topped up to the filler threads

Specifications

Max pressure (PSI / BAR)	4800 / 331
Fuel tank capacity (Litres)	5
Flow rate (Litres per hour)	840
Engine power (HP / CC)	15 / 450
Engine type	4-stroke OHV
Starting system	Recoil
Oil type	10W-40 semi-synthetic
Fuel type	Unleaded 95+
Dimensions L x W x H (CM)	73 x 62 x 48
Weight (KG)	73

CE declaration of conformity

We hereby certify that the machine detailed below complies with all relevant provisions of the EC Machinery Directive 2006/42/EC and National Laws and Regulations adopting this Directive.

Declaration Ref. No:	TX850
Manufacturer:	Union Mart Ltd
Manufactures Address:	Unit 4, Mauretania Road, Nursling, Southampton, SO16 0YS
Authorised Representative (in EU):	Union Mart Ltd
Authorised Representative's Address:	Unit 4, Mauretania Road, Nursling, Southampton, SO16 0YS
Name of the person authorised to compile the technical file (in EU):	Michael S McQuaide
Address of the person authorised to compile the technical file (in EU):	Unit 4, Mauretania Road, Nursling, Southampton, SO16 0YS
Product:	Petrol Pressure Washer Wilks-USA TX850
Description:	Petrol High Pressure Washer
Type / Model No:	Wilks-USA TX850
Procedure for assessment of conformity conducted by:	TÜV SÜD Product Services GmbH (Note: Machinery is NOT referred to in Annex IV)
We hereby declare that the machine detailed also complies with all relevant provisions of the following other EC Directives:	2006/42/EC Machinery Directive
Harmonised Standards Applied (in full):	2000/14/EC Noise Emission
	2014/30/EU EMC Directive
	EN 60335-2-79:2012
	EN ISO 14314:2009
	EN ISO 12100:2010
	EN 55012:2007 + A1:2009
Person empowered to draw up the declaration:	Michael S McQuaide
Signature:	
Position:	Managing Director
Date:	
Place of issue:	Unit 4, Mauretania Road, Nursling, Southampton, SO16 0YS

This declaration relates exclusively to the machinery in the state in which it was placed on the market, and excludes components which are added and/or operations carried out subsequently by the final user.

Nettoyeur Haute Pression à essence

TX850

FRANÇAIS



Lisez attentivement ce manuel avant toute utilisation et conservez-le à titre de référence. Dans le cas contraire, vous risquez de vous blesser, d'endommager des biens matériels et d'annuler la garantie.

Les produits présentés dans ce manuel peuvent présenter une apparence, un assemblage, des inclusions, des spécifications, une description ou un emballage différent.

Sommaire

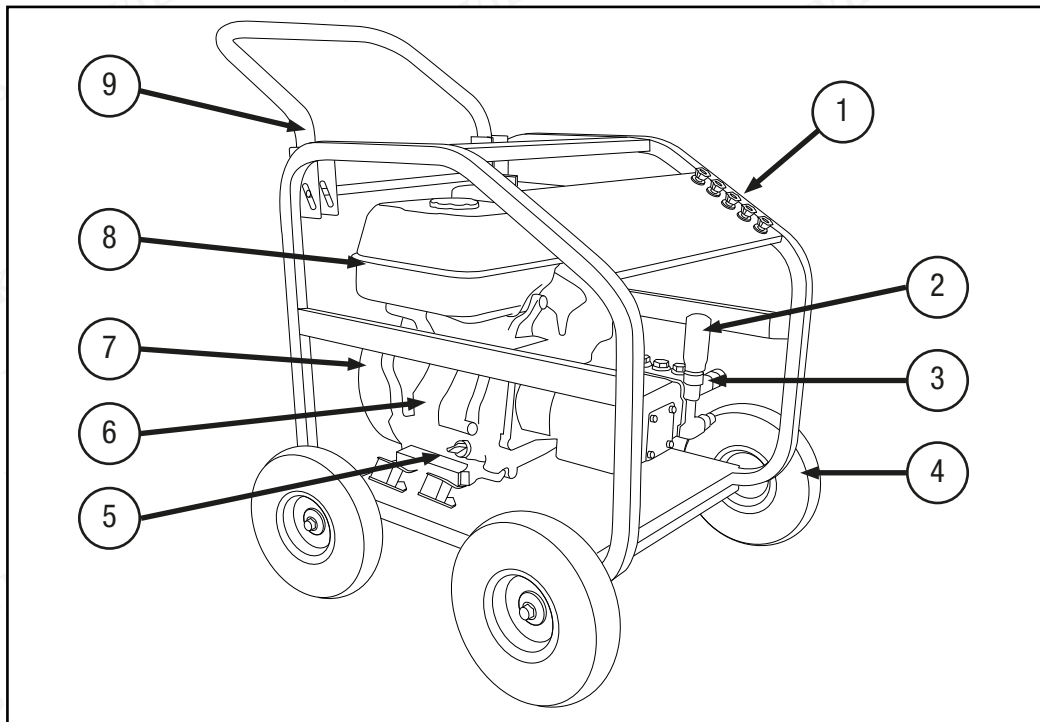
19. Sommaire
20. Sécurité
21. Guide de démarrage rapide
22. Assemblage
23. Avant de commencer
23. Raccordements
24. Démarrage
25. Arrêt
25. Utilisation de détergent
26. Puiser dans un tonneau
26. Buses
27. Bougie d'allumage
27. Vidange huile
28. Filtre à air
29. Calendrier de maintenance
30. Stockage
30. Déstockage
31. Dépannage
- 33 Spécifications
34. Déclaration de conformité CE

Sécurité

- Toujours éliminer tout excès d'eau du système après utilisation pour éviter les dommages causés par le gel.
- Ne touchez pas la buse ou l'eau pulvérisée pendant le fonctionnement.
- Ne pulvérisez jamais directement sur le nettoyeur haute pression ni sur les unités / fils électriques.
- Ne faites jamais fonctionner la machine si le nettoyeur haute pression est endommagé.
- Tous les raccords de tuyaux doivent être correctement scellés.
- Ne débranchez jamais le tuyau haute pression de la machine tant que le système est toujours sous pression.
- Ne faites jamais fonctionner en présence de changements notables du régime moteur, de perte de pression notable, de ratés d'allumage du moteur, de signes de fumée ou de feu, de vibrations excessives ou de pluie ou de mauvais temps.
- Tous les équipements doivent être placés sur une surface ferme, plane et stable.
- Gardez le nettoyeur haute pression propre et exempt d'huile, de boue et de saleté.
- Assurez-vous que de la glace ne s'est pas formée dans aucune partie de l'équipement avant de commencer.
- Portez des lunettes de protection pendant le fonctionnement.
- Ne pulvérisez jamais directement sur des personnes ou des animaux.
- N'autorisez jamais les enfants à utiliser le nettoyeur haute pression.
- Le pistolet de pulvérisation doit être sécurisé en verrouillant la gâchette lorsque vous ne l'utilisez pas.
- Ne faites pas fonctionner le nettoyeur haute pression pendant plus de deux minutes sans appuyer sur la gâchette.
- Testez d'abord le nettoyeur haute pression sur une petite zone peu visible. Certaines surfaces peuvent être endommagées par un jet d'eau à haute pression.
- Vérifiez le niveau d'huile avant chaque utilisation.
- Utilisez uniquement de l'essence sans plomb d'indice d'octane supérieur à 86.
- Assurez-vous que votre tuyau ne touche pas les gaz d'échappement chauds pendant ou après l'utilisation.
- Assurez-vous que l'approvisionnement en eau soit propre et exempt de tout corps étranger.
- La température de l'eau à l'entrée ne doit pas dépasser 40 ° C et 20 PSI.

Guide de démarrage rapide

Les étapes suivantes décrivent la méthode la plus rapide pour mettre votre nettoyeur haute pression en marche. Cependant, il est essentiel de lire attentivement ce manuel pour vous familiariser avec les caractéristiques de sécurité générales, les précautions et fonctions nécessaires au fonctionnement du produit. Dans le cas contraire, vous risquez de vous blesser et d'endommager votre nettoyeur ou vos objets personnels.



1. Buses

2. Régulateur de pression

3. Pompe

4. Roues

5. Bonde d'huile

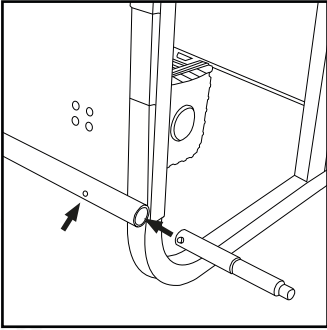
6. Moteur

7. Démarreur manuel

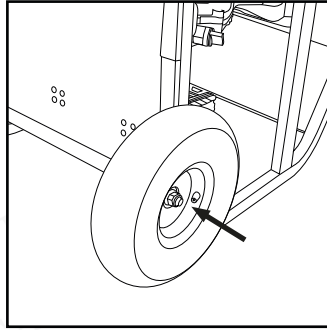
8. Réservoir

9. Poignée

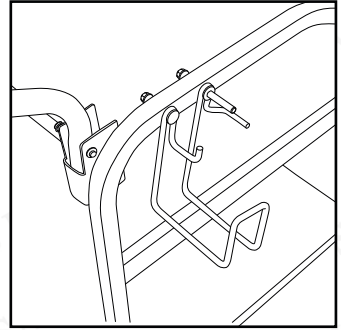
Assemblage



Localisez les trous d'essieu sous le châssis. Insérez l'essieu de sorte que le clip à ressort se mette bien en place



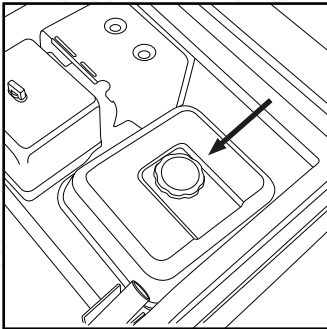
Faites glisser la roue sur l'essieu et fixez-la avec l'écrou.



Attachez le crochet du pistolet au cadre. Faites glisser les broches fileées dans les trous et fixez-les avec deux écrous.

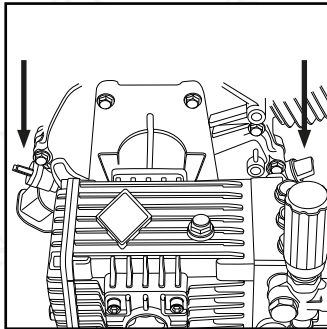
Avant de commencer

Remarque : le nettoyeur s'éteindra automatiquement si une quantité insuffisante d'huile est détectée.



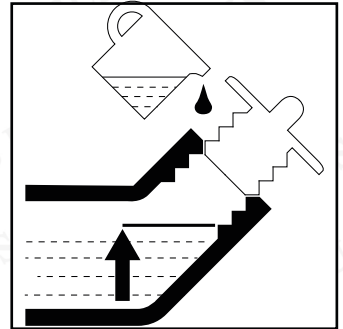
Ajouter de l'essence

1. Ouvrez le bouchon de remplissage
2. Remplissez-le d'essence sans plomb jusqu'au filtre
3. Remplacez le bouchon de remplissage



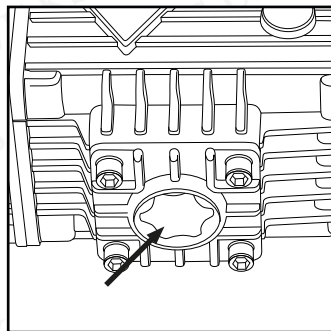
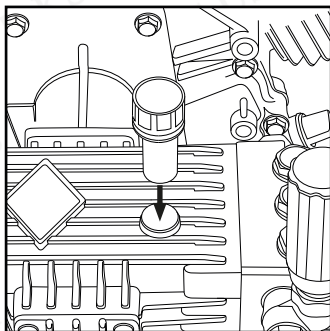
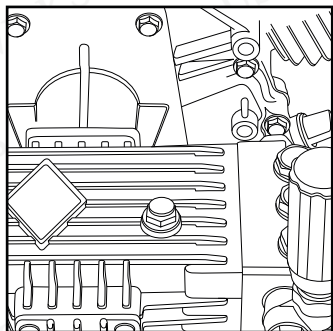
Ajouter de l'huile

1. Localisez les bouchons de remplissage de chaque côté du moteur
2. Placez le nettoyeur sur une surface plane
3. Ouvrez le bouchon de remplissage d'huile
4. Remplissez d'huile semi-synthétique 10W-40 jusqu'au filetage
5. Remplacez le bouchon de remplissage d'huile



Avant de commencer

Remarque: le nettoyeur s'éteindra automatiquement si une quantité insuffisante d'huile est détectée.



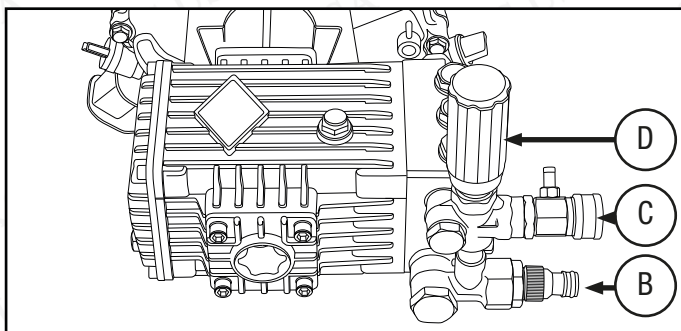
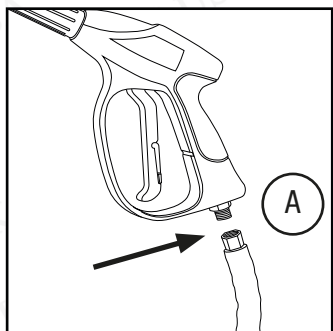
Ajouter de l'essence

1. Ouvrez le bouchon de remplissage
2. Remplissez-le d'essence sans plomb jusqu'au filtre
3. Remplacez le bouchon de remplissage

Ajouter de l'huile

1. Localisez les bouchons de remplissage de chaque côté du moteur
2. Placez le nettoyeur sur une surface plane
3. Ouvrez le bouchon de remplissage d'huile
4. Remplissez d'huile semi-synthétique 10W-40 jusqu'au filetage
5. Remplacez le bouchon de remplissage d'huile

Raccordements / Pompe

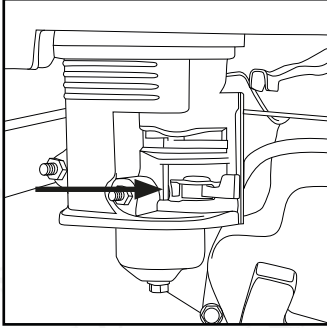


1. Branchez le tuyau haute pression sur le pistolet "A"
2. Branchez le tuyau haute pression sur la pompe "C"
3. Branchez un tuyau d'alimentation secteur sur l'arrivée d'eau "B"

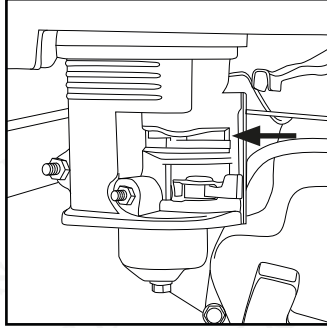
Tournez le bouton de réglage de pression "D" pour contrôler le PSI de la pompe.

Démarrage

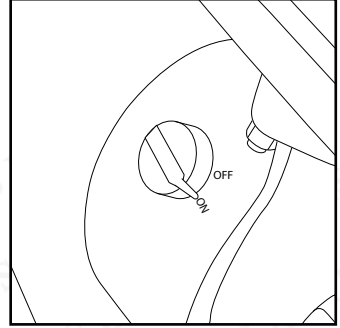
Avant de commencer, connectez le pistolet et les flexibles comme décrit dans la section "Raccordements".



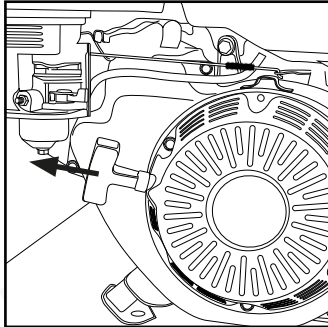
Ouvrez le robinet d'essence en glissant vers la droite



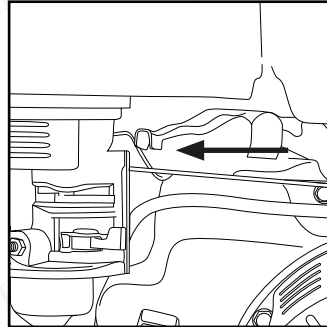
Réglez le starter à gauche (position fermée)



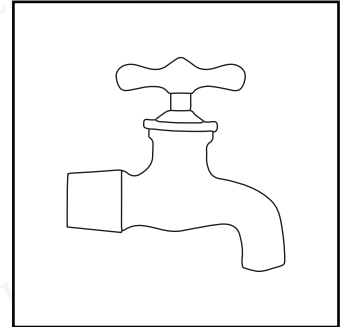
Tournez le commutateur du moteur sur la position de marche



Tirez fermement sur la poignée de recul pour démarrer le moteur



Une fois en marche, serrez les gaz à gauche (position ouverte)

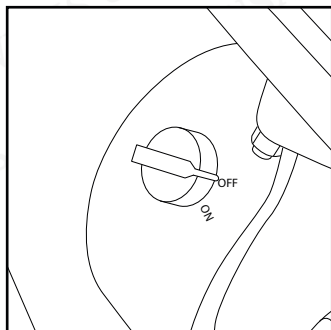


Ouvrez l'alimentation en eau

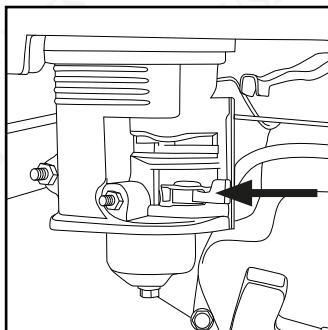
Une fois que le moteur est en marche et chaud, ramenez le starter à droite (position ouverte).

Si vous redémarrez un moteur chaud, il n'est pas nécessaire de le déplacer vers la gauche

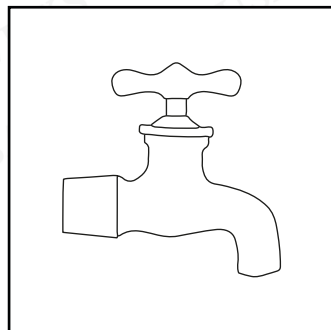
Arrêt



Tournez le commutateur en position arrêt.



Fermez le robinet d'essence en glissant vers la gauche



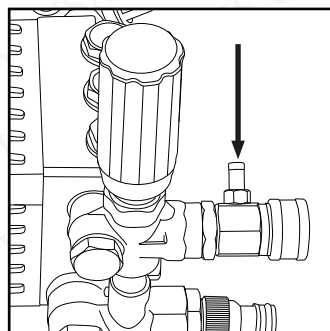
Fermez l'alimentation en eau

Remarque: Appuyez bien sur la gâchette du pistolet pour vider complètement l'eau restante dans le système. Si vous ne le faites pas, cela risque d'entraîner des dommages dus à la corrosion ou à la dilatation de l'eau lorsqu'il gèle.

Utilisation de détergent

1. Remplissez un récipient approprié avec du détergent pour nettoyeur haute pression et mélangez si nécessaire. N'utilisez pas de liquide vaisselle car il contient du sel.
2. Placez la buse bleue / noire à l'extrémité de la lance.
3. Connectez le tube de détergent à la pompe et immergez l'autre extrémité dans la solution.
4. L'aspiration et le mélange se produiront à mesure que l'eau circule dans la pompe

Remarque: : un détergent épais et visqueux ne coule pas facilement et les résidus risquent de provoquer un blocage du système. Après avoir utilisé le système de détergent, rincez-le soigneusement à l'eau claire pour éliminer toute trace de détergent.

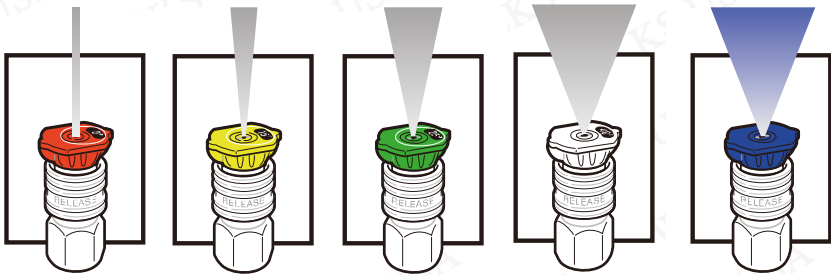


Puiser dans un tonneau

Tout d'abord, assurez-vous que la machine soit hors tension avant de connecter / déconnecter des flexibles ou des accessoires. Au lieu de brancher le tuyau de la pompe au robinet, utilisez le tuyau et les filtres fournis en plaçant l'extrémité du filtre dans l'alimentation en eau.

Nous vous conseillons de mettre l'alimentation en eau au même niveau que votre machine. Si vous avez du mal à obtenir la première aspiration, retirez le tuyau de sortie de la pompe et essayez à nouveau : cela réduit la pression sur la pompe et facilite son extraction. Une fois que l'eau coule, arrêtez le moteur et rebranchez le tuyau de sortie avant de redémarrer.

Buses



Buse 0° (rouge) - Cette buse donne un flux précis d'eau sous pression et est extrêmement puissante. Elle ne doit être dirigée que sur des surfaces pouvant supporter des pressions élevées telles que le métal ou le béton.

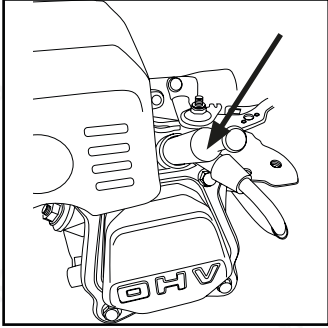
Buse 15° (Jaune) - Cette buse offre un jet puissant de 15 degrés pour le nettoyage intense de petites surfaces. Cette buse ne doit être utilisée que sur des zones et des matériaux pouvant résister à de très hautes pressions.

Buse 25° (verte) - Cette buse offre une pulvérisation de 25 degrés pour un nettoyage intense de grandes surfaces. Cette buse ne doit être utilisée que sur des zones pouvant supporter des pressions très élevées.

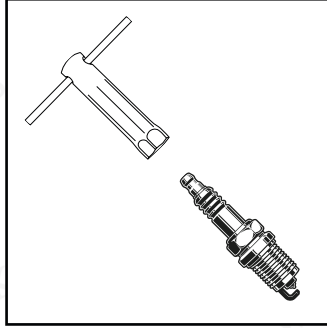
Buse à 40° (blanche) - Cette buse offre un jet de pulvérisation à 40 degrés et un jet d'eau moins puissant. Cette buse peut couvrir une large zone et peut être utilisée pour la plupart des travaux de nettoyage courants.

Buse de détergent (bleue / noire) - Cette buse est utilisée pour appliquer du détergent et des solutions de nettoyage. Cette buse produit la pression la plus faible.

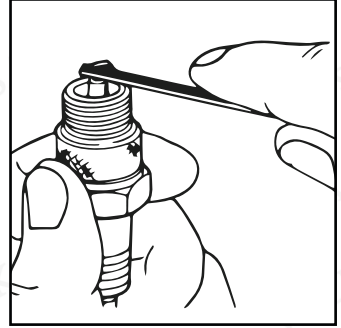
Bougie d'allumage



Retirez le capuchon de la bougie

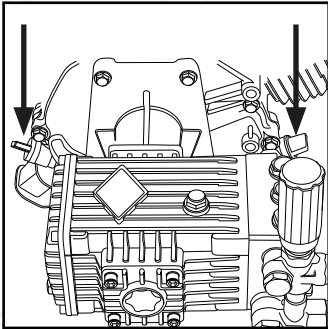


Dévissez la bougie à l'aide de l'outil fourni

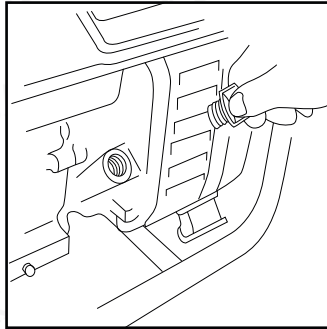


Vérifiez l'écart à l'aide d'une jauge. L'écart devrait être entre 0.7-0.8mm.

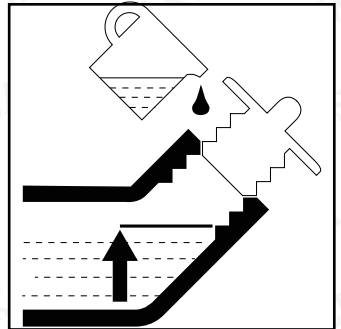
Vidange d'huile



Localisez et enlevez l'un ou l'autre des bouchons d'huile sur le côté du moteur



Placez un récipient dessous et inclinez l'appareil pour vidanger l'huile

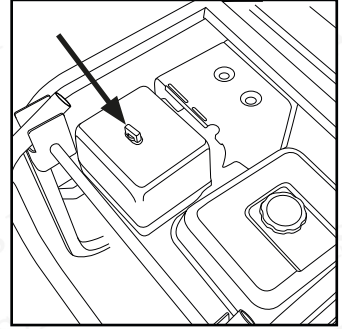


Ajoutez de l'huile semi-synthétique 10W-40 jusqu'à la limite maximale du trou de remplissage

Filtre à air

Le filtre à air est installé sur le système d'admission du moteur. Il permet à l'air pur de pénétrer dans le moteur pour fournir le mélange air / carburant approprié.

1. Dévissez la vis papillon pour ouvrir le couvercle du filtre à air
2. Vérifiez le filtre à air pour vous assurer qu'il est exempt de saleté
3. S'il est sale, retirez-le et nettoyez-le avec une solution de nettoyage à base de solvant
4. Essorez-le pour éliminer l'eau et laissez sécher
5. Ajoutez quelques gouttes d'huile
6. Appuyez bien pour répartir l'huile et éliminez tout excès
7. Installez le filtre à air et le couvercle



Calendrier de maintenance

Composant / Tâche	À chaque utilisation	Après les 5 premières heures	1er mois ou après 20h	Tous les 3 mois ou 50 heures	Tous les 6 mois ou 100 heures	Tous les ans ou 300 heures
Huile moteur	Vérifier	Remplacer	Remplacer			
Fuite d'huile	Vérifier / réparer si besoin					
Filtre à air	Vérifier	Nettoyer	Nettoyer / remplacer si besoin	Nettoyer / remplacer si besoin		
Jeu des soupapes						Ajuster si besoin
Chambre de combustion						Décoker si besoin
Ralenti					Vérifier / ajuster si besoin	
Écrous et boulons	Vérifier / serrer si besoin					
Réservoir d'essence				Vidanger et nettoyer		
Conduite de carburant	Vérifier	Vérifier / nettoyer	Remplacer si besoin	Nettoyer et remplacer si besoin		
Filtre à carburant	Vérifier	Vérifier / nettoyer	Nettoyer et remplacer si besoin	Nettoyer et remplacer si besoin		
Bougie d'allumage		Vérifier / nettoyer	Nettoyer et remplacer si besoin	Nettoyer et remplacer si besoin		

Stockage

Si le nettoyeur ne doit pas être utilisé ou doit être stocké pendant plus d'un mois, veuillez suivre la procédure suivante :

1. Vidangez tout le carburant du réservoir et du carburateur. Assurez-vous que tout le carburant ait bien été enlevé.
2. Retirez la bougie et versez environ une cuillère à soupe d'huile moteur propre dans le trou de la bougie.
3. Contact coupé, tirez doucement sur la poignée du lanceur à plusieurs reprises.
4. Remettez la bougie d'allumage en place et continuez à tirer sur la poignée du lanceur jusqu'à ce que le piston soit sur la course de compression (en cas de résistance), puis arrêtez de tirer.
5. Rangez le nettoyeur haute pression dans un endroit sec et bien ventilé sous une bâche afin d'éviter toute accumulation de poussière ou de débris sur le nettoyeur haute pression.

Si le nettoyeur haute pression n'est pas utilisé pendant plus de trois mois ou s'il risque de geler ou de givrer là où l'unité est stockée, en particulier pendant les mois d'hiver, certaines précautions doivent être prises pour éviter d'endommager votre machine ou votre pistolet. Suivez les mêmes étapes que pour le stockage longue durée, mais assurez-vous également qu'il ne reste pas d'eau dans l'appareil. La pompe peut nécessiter une protection isolée contre le gel. Le pistolet doit être drainé des fluides afin d'éviter la dilatation de l'eau car cela endommagerait votre pistolet.

Déstockage

Aucun carburant n'aurait dû être laissé dans l'unité. Cependant, si du carburant est présent, veillez à ce qu'il soit retiré du réservoir et du carburateur avant de faire le plein de carburant neuf. Vérifiez le gobelet et videz-le si nécessaire.

Remarque: l'ancien carburant ne brûlera pas correctement et pourrait endommager votre moteur.

Dépannage

Problème	Cause Probable	Solution
Pression fluctuante	Pompe aspire de l'air	Vérifiez si les connexions sont serrées
	Tuyau bouché	Éliminez le blocage à l'aide d'un outil de nettoyage
La pompe n'atteint pas la pression requise	Pompe aspire de l'air des raccords ou du tuyau	Vérifiez si les connexions sont serrées
	Les vannes d'aspiration / refoulement sont bouchées	Nettoyez ou remplacez les vannes. Faites vérifier la machine par le service après-vente.
	Les vannes de déchargement sont bloquées	Desserrez et resserrez la vis de réglage
	Lance ou buse usée	Vérifiez et / ou remplacez
La pompe fonctionne mais non livraison d'eau	Entrée coudée et / ou tuyau de pression	Vérifiez, redressez et remplacez si nécessaire
	Filtre d'entrée bloqué	Retirez et nettoyez le filtre
	Tuyau bouché	Éliminez le blocage à l'aide d'un outil de nettoyage

Problème		Cause Probable	Solution	
<p>Moteur ne démarre pas</p> <p>Faible débit moteur</p> <p>Le moteur tourne de façon irrégulière</p>	Compression insuffisante	Compression insuffisante	Serrez la bougie	
		Boulon de culasse desserré	Serrez le boulon	
		Joint endommagé	Remplacez le joint	
	Suffisant compression	Problèmes liés au système d'alimentation		
		No fuel supplied to combustion chamber	Vitesse de traction insuffisante pour le démarreur à rappel	Tirez la corde brusquement
			Corps étranger dans le réservoir de carburant	Nettoyez le réservoir
			Conduite de carburant bouchée	Nettoyez la conduite de carburant
			Pas de carburant dans le réservoir	Ajoutez du carburant
			Le robinet d'essence n'est pas ouvert	Ouvrez le robinet d'essence
		Problèmes du système de combustion		
		Chambre de combustion (bonne étincelle)	Bougie d'allumage souillée de carbone ou mouillée de carburant	Retirez le carbone ou séchez la bougie
			Bougie endommagée	Remplacez la bougie
			Magnéto défectueux	
			Huile insuffisante	Sur une surface plane, assurez-vous que l'huile soit remplie jusqu'au filetage de remplissage

Specifications

Pression max PSI / BAR	4800 / 331
Capacité du réservoir (Litres)	5
Débit (litres par minute)	840
Puissance moteur (HP / CC)	15 / 450
Type de moteur	OHV 4 temps
Système de démarrage	Manuel
Type d'huile	10W-40 semi-synthétique
Type de carburant	Sans plomb 95+
Dimensions L x l x H (cm)	73 x 62 x 48
Poids (kg)	73

Déclaration de conformité CE

Déclaration de conformité CE à la directive européenne 2006/42 / CE sur les machines. Nous certifions par la présente que la machine décrite ci-dessous est conforme à toutes les dispositions pertinentes de la directive européenne sur les machines 2006/42 / CE et aux lois et règlements nationaux adoptant cette directive.

Référence : TX850
Fabricant : Union Mart Ltd
Adresse du fabricant : Unit 4, Mauretania Rd, Nursling Industrial Estate, Nursling, Southampton SO16 OYS, Grande Bretagne
Représentant UE : Union Mart Ltd
Adresse du représentant : Unit 4, Mauretania Rd, Nursling Industrial Estate, Nursling, Southampton SO16 OYS, Grande Bretagne

Nom de la personne autorisée à compiler le dossier technique (en UE) : S McQuaide

Adresse de la personne autorisée à compiler le dossier technique (en UE) : Unit 4, Mauretania Rd, Nursling Industrial Estate, Nursling, Southampton SO16 OYS, Grande Bretagne

Produit : Nettoyeur haute pression à essence Wilks-USA TX7850

Description : Nettoyeur haute pression à essence

Type / Modèle : Wilks-USA TX850

Procédure d'évaluation de la conformité conduit par : TÜV SÜD Product Services GmbH

(Remarque: les machines ne sont PAS visées à l'annexe IV.)

Nous déclarons par la présente que la machine détaillée est également conforme à toutes les dispositions pertinentes des autres directives CE suivantes:

Directive 2006/42 / CE sur les machines

Emission de bruit 2000/14 / CE

Directive CEM 2014/30 / UE

Normes harmonisées appliquées (en totalité):

EN 60335-2-79: 2012

EN 1679-1: 1998 + A1: 2011

EN 55012: 2007 / A1: 2009

Personne habilitée à établir la déclaration : Michael S McQuaide

Signature : [Signature]



Position : Directeur général

Date :

Lieu de délivrance : Unit 4 Mauretania Road, Nursling Industrial Estate, Southampton, SO16 OYS, Grande Bretagne.

Cette déclaration concerne exclusivement les machines dans l'état dans lequel elles ont été mises sur le marché et exclut les composants ajoutés et / ou les opérations effectuées ultérieurement, par l'utilisateur final.

TX850

Benzin-Hochdruckreiniger

DEUTSCH



Bitte lesen Sie dieses Benutzerhandbuch vor Benutzung sorgfältig durch und bewahren Sie es auf. Nichtbeachtung kann zu Verletzungen, Sachschäden und zum Erlöschen der Garantie führen. Produkte, auf die sich dieses Handbuch bezieht, können in Aussehen, Zusammenbau, Einschlüssen, Spezifikationen, Beschreibung oder Verpackung abweichen.

Inhalt

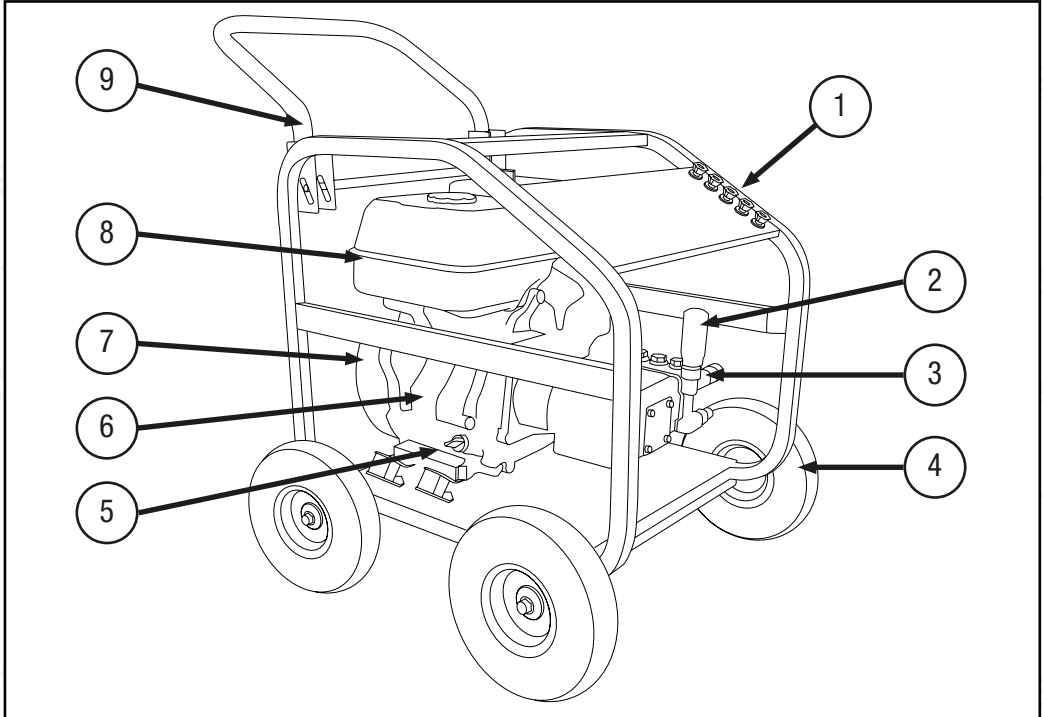
- 36 Inhalt
- 37 Sicherheit
- 38 Schnellstartanleitung
- 39 Montage
- 40 Vor dem Start
- 40 Anschlüsse / Pumpe
- 41 Start
- 42 Stoppen
- 42 Reinigungsmittel verwenden
- 43 Aus einem Fass versorgen
- 43 Düsen
- 44 Wartung/Pflege
 - 44 Zündkerze
 - 44 Ölwechsel
 - 45 Luftfilter
- 46 Wartungsplan
- 47 Lagerung
 - 47 Auslagerung
- 48 Problembehandlung
- 50 Technische Daten
- 51 CE-Konformitätserklärung

Sicherheit

- Entfernen Sie nach dem Gebrauch immer überschüssiges Wasser aus dem System, um Frostschäden zu vermeiden.
- Berühren Sie während des Betriebs nicht die Düse oder den Wassersprühstrahl.
- Sprühen Sie niemals direkt auf den Hochdruckreiniger oder elektrische Geräte / Kabel.
- Lassen Sie den Reiniger niemals laufen, wenn der Hochdruckschlauch beschädigt ist.
- Alle Schlauchverbindungen müssen ordnungsgemäß verschlossen sein.
- Trennen Sie niemals den Hochdruckschlauch von der Maschine, während das System noch unter Druck steht.
- Betreiben Sie das Gerät niemals, wenn eine Änderung der Motordrehzahl, ein Druckverlust, eine Fehlzündung des Motors, Anzeichen von Rauch oder Feuer, übermäßige Vibrationen oder Regen oder schlechtes Wetter vorherrschen.
- Alle Geräte müssen auf eine feste, ebene und stabile Oberfläche gestellt werden.
- Halten Sie den Hochdruckreiniger sauber und frei von Öl, Schlamm und Schmutz.
- Vergewissern Sie sich vor dem Start, dass sich in keinem Teil des Geräts Eis gebildet hat.
- Tragen Sie während des Betriebs eine Schutzbrille.
- Sprühen Sie den Schlauch niemals direkt auf Menschen oder Tiere.
- Lassen Sie niemals Kinder den Hochdruckreiniger bedienen.
- Die Spritzpistole sollte bei Nichtgebrauch durch Verriegeln des Abzugs gesichert werden.
- Lassen Sie den Hochdruckreiniger nicht länger als zwei Minuten laufen, ohne den Abzug zu betätigen.
- Testen Sie den Hochdruckreiniger zuerst an einer kleinen unauffälligen Stelle. Einige Oberflächen können durch Hochdruckwasser beschädigt werden.
- Vor jedem Gebrauch den Ölstand kontrollieren
- Verwenden Sie nur bleifreies Benzin mit einer Oktanzahl über 86.
- Stellen Sie sicher, dass Ihr Schlauch während oder nach dem Gebrauch nicht den heißen Auspuff berührt.
- Stellen Sie sicher, dass die Wasserversorgung sauber und frei von Fremdkörpern ist.
- Die Wassereintrittstemperatur darf 40°C und 20 PSI nicht überschreiten.

Schnellstartanleitung

Die folgenden Schritte beschreiben die schnellste Methode, um Ihren Hochdruckreiniger in Betrieb zu nehmen. Lesen Sie dieses Handbuch unbedingt vollständig durch, um sicherzustellen, dass Sie mit den allgemeinen Sicherheitsmerkmalen, Vorsichtsmaßnahmen und Funktionen vertraut sind, die für den Betrieb des Produkts erforderlich sind. Andernfalls können Verletzungen und Schäden am Reiniger oder an persönlichen Gegenständen verursacht werden.



1. Düsenplatte

2. Druckregler

3. Pumpe

4. Räder

5. Ölpfropfen

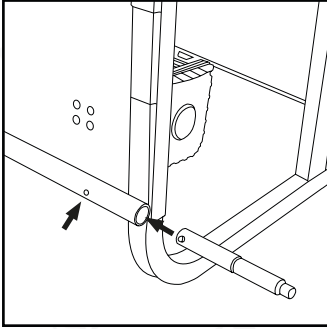
6. Motor

7. Zugstarter

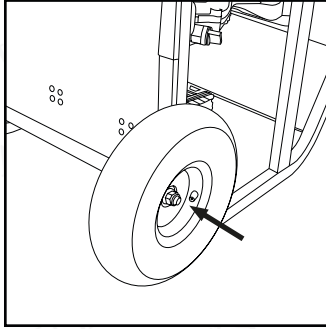
8. Kraftstofftank

9. Griff

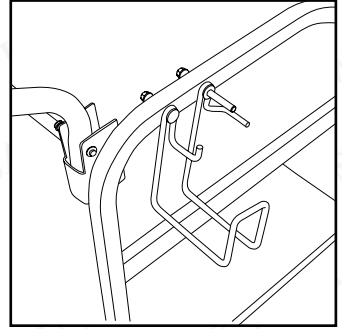
Montage



Suchen Sie die Achslöcher an der Unterseite des Rahmens. Setzen Sie die Achse so ein, dass der gefederte Clip einrastet



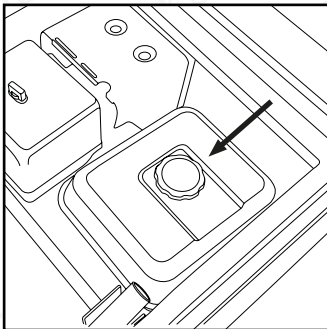
Schieben Sie das Rad über die Achse und sichern Sie es mit der Mutter



Bringen Sie den Pistolenhaken am Rahmen an. Schieben Sie die Gewindestifte durch die Löcher und sichern Sie sie mit zwei Muttern.

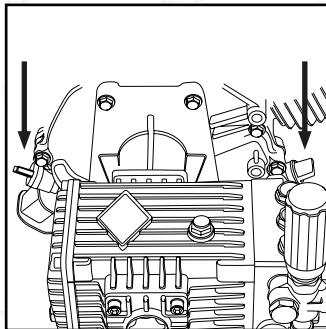
Vor dem Start

Hinweis: Der Reiniger schaltet sich automatisch ab, wenn zu wenig Öl festgestellt wird



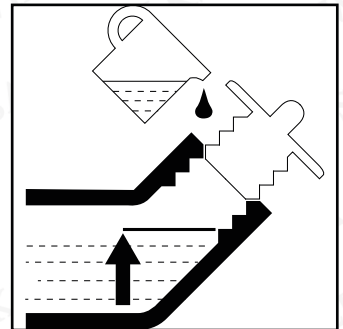
Kraftstoff einfüllen

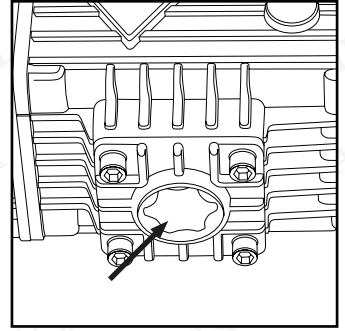
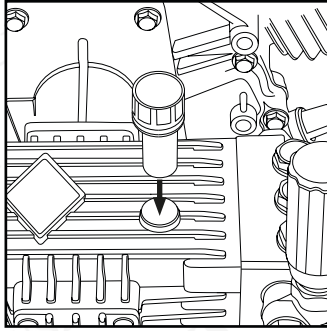
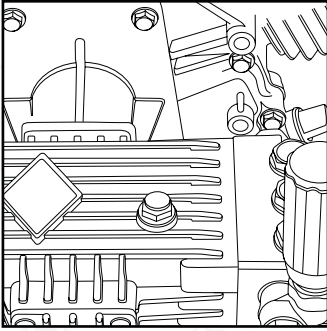
1. Öffnen Sie den Einfülldeckel
2. Bleifreies Benzin bis zum Filter einfüllen
3. Einfülldeckel wieder anbringen



Öl auffüllen

1. Suchen Sie die Einfüllstopfen auf beiden Seiten des Motors
2. Stellen Sie den Reiniger auf eine ebene Fläche
3. Öffnen Sie den Öleinfüllstutzen
4. Füllen Sie das halbsynthetische Öl 10W-40 bis zum Gewinde ein.
5. Öleinfüllschraube wieder anbringen

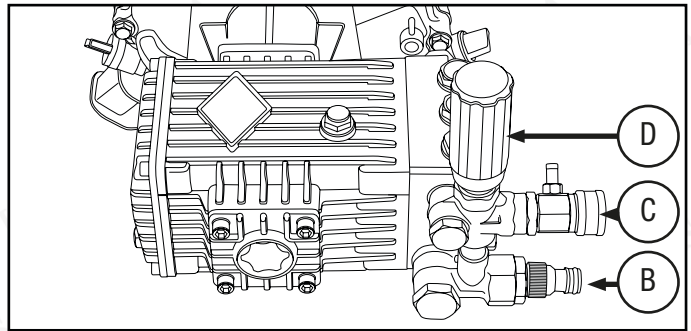
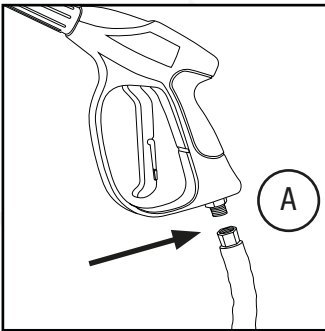




- Die Pumpe ist mit einem schwarzen Stopfen ausgestattet, der verhindert, dass vorgefülltes Öl während des Transports austritt.
- Dieser muss vor Gebrauch durch den gelben Entlüftungstopfen ersetzt werden

- Stellen Sie sicher, dass sich das Öl auf halber Höhe befindet

Verbindungen

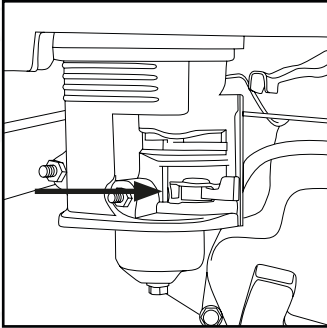


1. Schließen Sie den Hochdruckschlauch an die Pistole 'A' an
2. Schließen Sie den Hochdruckschlauch an Pumpe 'C' an
3. Schließen Sie einen Zulaufschlauch an den Wassereinlass 'B' an

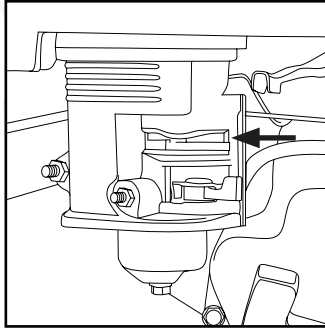
Drehen Sie den Druckregler 'D', um den Druck der Pumpe zu steuern.

Anfang

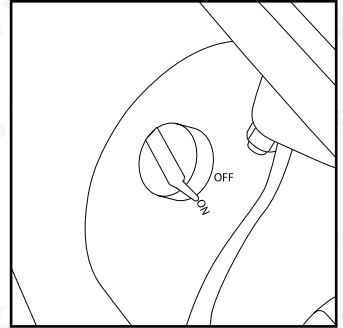
Bevor Sie beginnen, schließen Sie die Pistole und die Schläuche wie unter "Anschlüsse" beschrieben an.



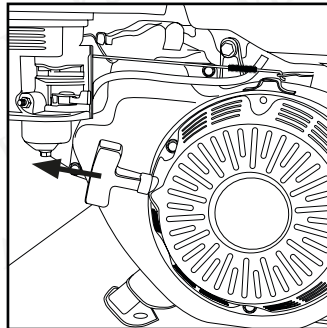
Schalten Sie den Kraftstoffhahn ein, indem Sie ihn nach rechts schieben



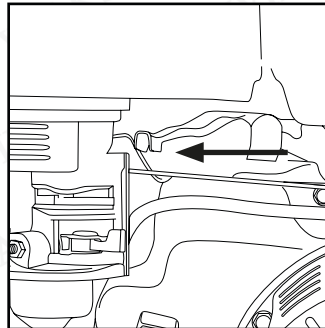
Stellen Sie den Choke nach links (geschlossene Position)



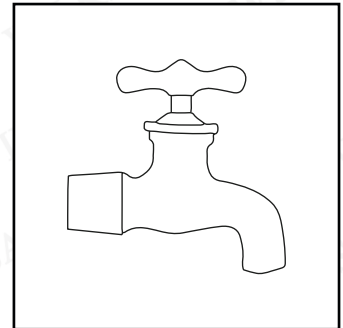
Stellen Sie den Schalter auf die Position "On/Ein"



Ziehen Sie den Seilstarter fest, um den Motor zu starten



Nach dem Start, Gas nach links ziehen (geöffnete Position)

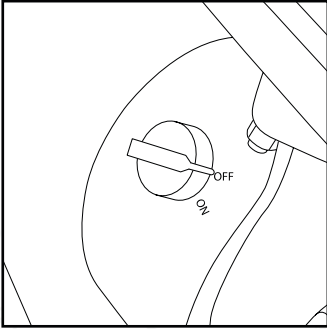


Wasserversorgung einschalten

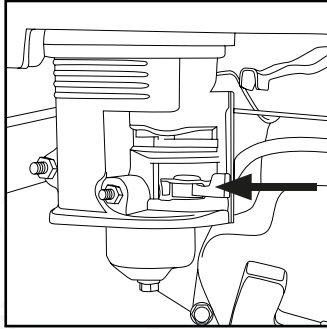
Wenn der Motor warmgelaufen ist, bringen Sie den Choke wieder in die rechte (offene) Position.

Beim Neustarten eines warmen Motors muss nicht nach links bewegt werden.

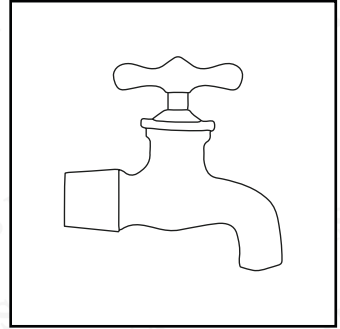
Stoppen



Stellen Sie den Schalter auf die Position "Off/Aus"



Schalten Sie den Kraftstoffhahn aus, indem Sie nach links schieben



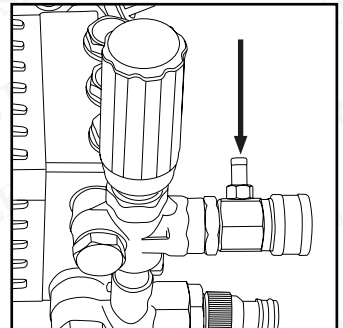
Schalten Sie die Wasserversorgung aus

Hinweis: Stellen Sie sicher, dass Sie den Auslöser an der Pistole drücken, um das restliche Wasser im System vollständig abzulassen. Nichtbeachtung kann zu Schäden durch Korrosion oder Wasserausdehnung beim Einfrieren führen.

Reinigungsmittel verwenden

1. Öffnen Sie den vorderen Deckel des Reinigungsmittel tanks und füllen Sie ein geeignetes Hochdruckreinigungsmittel ein. Verwenden Sie kein Spülmittel, da es Salz enthält.
2. Bringen Sie die blau / schwarze Düse am Ende der Lanze an.
3. Das Ansaugen und Mischen erfolgt, wenn Wasser durch die Pumpe fließt. Möglicherweise müssen Sie den kürzeren der mitgelieferten Schläuche in Verbindung mit der blau / schwarzen Düse anbringen, um den erforderlichen Druck zum Ansaugen des Reinigungsmittels zu erzeugen.

Hinweis: Ein dickflüssiges Reinigungsmittel fließt nicht ungehindert aus dem Waschmittel tank und die Rückstände können das System blockieren. Nach dem Gebrauch von Reinigungsmittel sollte diese gründlich mit sauberem Wasser gespült werden, um eventuelle Reste zu entfernen.

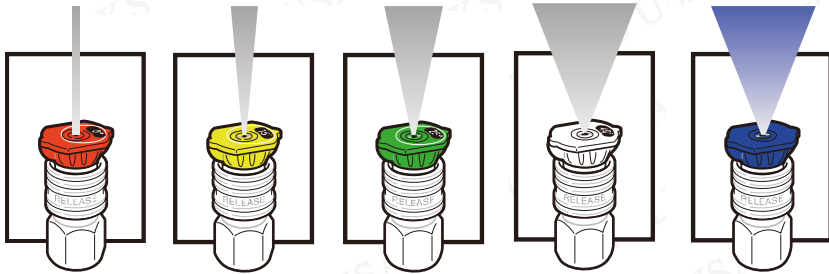


Aus einem Fass versorgen

Stellen Sie zunächst sicher, dass die Maschine ausgeschaltet ist, bevor Sie Schläuche oder Anbauteile anschließen oder abziehen. Anstatt den Schlauch von der Pumpe zum Wasserhahn zu befestigen, verwenden Sie den mitgelieferten Schlauch und den Filtersatz und stecken Sie das Filterende in die Wasserversorgung.

Es wird empfohlen, dass sich die Wasserversorgung auf dem Niveau der Waschmaschine befindet. Wenn Sie Schwierigkeiten haben, die erste Saugkraft zu erreichen, entfernen Sie den Auslassschlauch von der Pumpe und versuchen Sie erneut, anzusaugen. Dies verringert den Druck auf die Pumpe und erleichtert das Saugen. Stellen Sie den Motor ab und schließen Sie den Auslassschlauch wieder an, bevor Sie den Motor erneut starten

Düsen



0° Düse (rot): Diese Düse liefert einen punktgenauen Druckwasserstrom und ist extrem leistungsstark. Es sollte nur auf Oberflächen wie Metall oder Beton gerichtet werden, die hohem Druck standhalten.

15° Düse (gelb): Diese Düse liefert ein starkes 15-Grad-Sprühmuster für die intensive Reinigung kleiner Bereiche. Diese Düse sollte nur an Stellen und Materialien verwendet werden, die einem sehr hohen Druck standhalten.

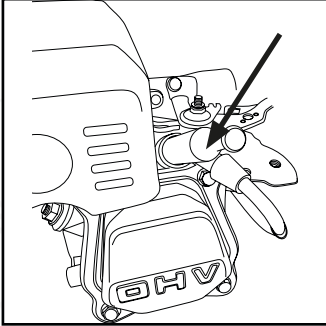
25° Düse (grün): Diese Düse liefert ein 25-Grad-Sprühmuster für die intensive Reinigung größerer Flächen. Diese Düse sollte nur an Stellen verwendet werden, die einem sehr hohen Druck standhalten.

40° Düse (weiß): Diese Düse liefert ein 40-Grad-Sprühmuster und einen weniger starken Wasserstrahl. Diese Düse kann einen großen Bereich abdecken und für die meisten allgemeinen Reinigungsarbeiten verwendet werden.

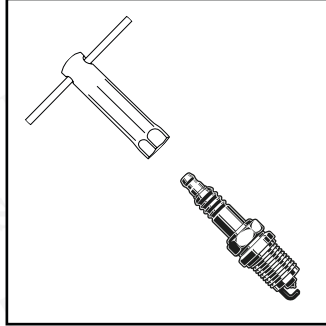
Reinigungsmitteldüse (blau / schwarz) - Mit dieser Düse werden Reinigungsmittel und Reinigungslösungen aufgetragen. Diese Düse erzeugt den schwächsten Druck der drei Düsen.

Wartung/Pflege

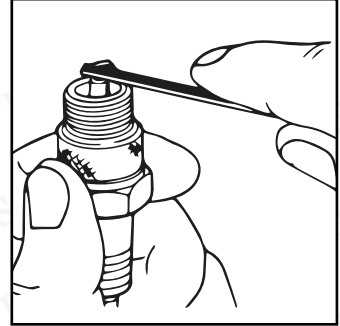
Zündkerze



Entfernen Sie die Zündkerzenkappe und schrauben Sie die Zündkerze

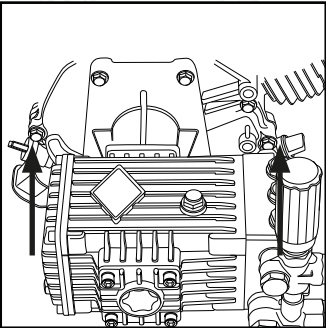


mit dem mitgelieferten Werkzeug heraus

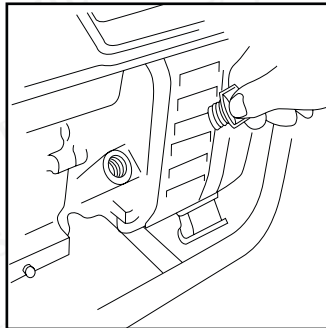


Überprüfen Sie den Spalt mit einer Lehre. Der Spalt sollte zwischen 0,7 und 0,8 mm liegen.

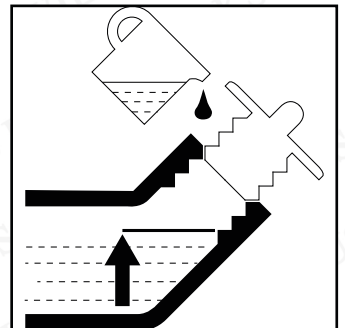
Ölwechsel



Suchen und entfernen Sie einen der Ölstopfen an der Seite des Motors



Stellen Sie eine Schüssel unter eine Seite und kippen Sie das Gerät, um das Öl abzulassen.

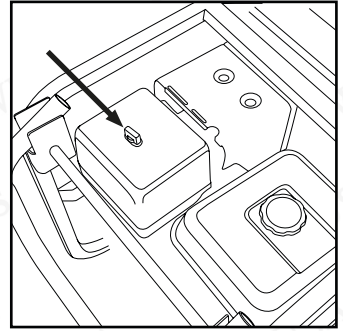


Füllen Sie 10W-40 halbsynthetisches Öl an der Obergrenze der Einfüllöffnung ein

Luftfilter

Der Luftfilter ist am Ansaugsystem des Motors angebracht. Er lässt saubere Luft in den Motor strömen, um das richtige Luft / Kraftstoff-Gemisch bereitzustellen.

1. Heben Sie den Clip an, um die Luftfilterabdeckung zu öffnen
2. Überprüfen Sie den Luftfilter auf Schmutzablagerungen
3. Wenn verschmutzt, entfernen Sie den Filter und reinigen Sie ihn mit einem Lösungsmittel
4. Zum Entfernen von Wasser ausdrücken und trocknen lassen
5. Geben Sie ein paar Tropfen Öl hinzu
6. Zum Verteilen des Öls fest zusammendrücken und überschüssiges Öl entfernen
7. Installieren Sie den Luftfilter und die Abdeckung



Wartungsplan

Bauteil / Aufgabe	Jeden Gebrauch	Nach den ersten 5 Stunden Gebrauch	Nach dem ersten Monat oder 20 Stunden Gebrauch	Alle 3 Monate oder 50 Stunden Gebrauch	Alle 6 Monate oder 100 Stunden Gebrauch	Jedes Jahr oder aller 300 Stunden Gebrauch
Motoröl	Überprüfen	Ersetzen	Ersetzen			
Öllecks	Bei Bedarf überprüfen / reparieren					
Luftfilter	Überprüfen	Reinigen	Reinigen und gegebenenfalls ersetzen	Reinigen und gegebenenfalls ersetzen		
Ventilspiel						Nach Bedarf anpassen
Brennkammer						Bei Bedarf Ruß entfernen
Leerlaufdrehzahl					Bei Bedarf prüfen / einstellen	
Muttern & Schrauben	Bei Bedarf prüfen / festziehen					
Kraftstofftank				Spülen und reinigen		
Kraftstoffleitung	Überprüfen	Überprüfen / Reinigen	Reinigen und gegebenenfalls ersetzen	Bei Bedarf ersetzen		
Kraftstofffilter	Überprüfen	Überprüfen / Reinigen	Reinigen und gegebenenfalls ersetzen	Reinigen und gegebenenfalls ersetzen		
Zündkerzen		Überprüfen / Reinigen	Reinigen und gegebenenfalls ersetzen	Reinigen und gegebenenfalls ersetzen		

Lagerung

Wenn der Reiniger nicht benutzt wird oder länger als einen Monat gelagert werden soll, sollte das folgende Lagerungsverfahren durchgeführt werden:

1. Lassen Sie den gesamten Kraftstoff aus dem Kraftstofftank und dem Vergaser ab. Stellen Sie sicher, dass der gesamte Kraftstoff entfernt wurde.
2. Entfernen Sie die Zündkerze und gießen Sie ungefähr einen Esslöffel sauberes Motoröl in die Zündkerzenöffnung.
3. Ziehen Sie bei ausgeschalteter Zündung mehrmals vorsichtig am Startergriff.
4. Setzen Sie die Zündkerze wieder ein und ziehen Sie weiter am Startergriff, bis sich der Kolben im Kompressionshub befindet (wenn Sie einen Widerstand spüren). Hören Sie dann auf, zu ziehen.
5. Bewahren Sie den Hochdruckreiniger an einem trockenen, gut belüfteten Ort unter einer Abdeckung auf, damit sich kein Staub oder Schmutz auf dem Hochdruckreiniger ansammelt.

Wird der Hochdruckreiniger länger als drei Monate nicht benutzt, oder wenn bei Lagerung des Geräts Eis- oder Frostgefahr besteht, insbesondere in den Wintermonaten, dann müssen bestimmte Vorsichtsmaßnahmen getroffen werden, um sicherzustellen, dass der Reiniger oder die Pistole nicht beschädigt wird. Befolgen Sie die vorherigen Schritte zur Lagerung, stellen Sie jedoch sicher, dass sich kein Wasser mehr im Gerät befindet. Die Pumpe muss möglicherweise vor Frost geschützt werden. Die Pistole muss von Flüssigkeiten befreit werden, um eine Wasserausdehnung zu vermeiden, da dies Ihre Pistole beschädigen kann.

Auslagerung

Es darf kein Kraftstoff mehr im Gerät sein. Ist noch Kraftstoff vorhanden, muss dieser aus Tank und Vergaser entfernt werden, bevor frischer Kraftstoff nachgefüllt wird. Überprüfen Sie den Auffangbehälter und leeren Sie ihn gegebenenfalls.

Hinweis: Alter Kraftstoff verbrennt nicht richtig und kann Ihren Motor beschädigen.

Problembehandlung

Fehler	Mögliche Ursache	Behebung
	Pumpe saugt Luft an	Überprüfen Sie, ob die Verbindungen fest sind
	Strahl blockiert	Verstopfung mit Strahlreinigungswerkzeug beseitigen
	Pumpe saugt Luft von Anschlüssen oder Schlauch an	Überprüfen Sie, ob die Verbindungen fest sind
	Saug- / Druckventile sind verstopft	Ventile reinigen oder ersetzen. Maschine vom Servicecenter überprüfen lassen
	Entlastungsventile stecken fest	Regelschraube lösen und wieder festziehen
	Lanze oder Düse abgenutzt	Überprüfen und / oder ersetzen
	Einlass und / oder Druckschlauch geknickt	Überprüfen, begradigen und ggf. ersetzen
	Zulauffilter verstopft	Filter entfernen und reinigen
	Strahl blockiert	Verstopfung mit Strahlreinigungswerkzeug beseitigen

Fehler		Mögliche Ursache	Behebung	
		Lose Zündkerze	Zündkerze festziehen	
		Zylinderkopfschraube locker	Schraube festziehen	
		Beschädigte Dichtung	Dichtung austauschen	
		Probleme mit dem Kraftstoffsystem		
			Unzureichende Zuggeschwindigkeit für Zugstarter	Seil fest ziehen
			Fremdkörper im Kraftstofftank	Tank reinigen
			Kraftstoffleitung verstopft	Kraftstoffleitung reinigen
			Kein Kraftstoff im Tank	Kraftstoff einfüllen
			Kraftstoffhahn nicht geöffnet	Kraftstoffhahn öffnen
		Verbrennungssystem Probleme		
			Zündkerze mit Ruß verschmutzt oder mit Kraftstoff benetzt	Entfernen Sie den Ruß oder trocknen Sie die Zündkerze
			Beschädigte Zündkerze	Ersetzen Sie die Zündkerze
			Fehlerhafter Magnetzündler	
		Brennkammer (guter Funke)	Vergaser falsch eingestellt	
			Zu wenig Öl	Stellen Sie auf einer ebenen Fläche sicher, dass Öl bis zum Einfüllstutzen nachgefüllt ist

Technische Daten

Maximaler Druck (PSI / BAR)	4800 / 331
Tankinhalt ca. in Liter	5
Durchfluss (Liter pro Stunde)	840
Motorleistung (PS / CC)	15 / 450
Motortyp	4-Takt-OHV
Startersystem	Rückstoß
Ölsorte	10W-40 halbsynthetisch
Kraftstoffart	Bleifrei 95+
Abmessungen (L x B x H) (cm)	73 x 62 x 48
Gewicht (kg)	73

CE-Konformitätserklärung

Hiermit bestätigen wir, dass die nachstehend aufgeführte Maschine allen relevanten Bestimmungen der EG-Maschinenrichtlinie 2006/42 / EG und den nationalen Gesetzen und Verordnungen zur Annahme dieser Richtlinie entspricht.

Erklärung Ref. Nr.: TX850

Hersteller: Union Mart Ltd

Adresse des Herstellers: Unit 4, Mauretania Road, Nursling, Southampton, SO16 0YS

Bevollmächtigter (in der EU): Union Mart Ltd

Anschrift des Bevollmächtigten: Unit 4, Mauretania Road, Nursling, Southampton, SO16 0YS

Name der zur Erstellung berechtigten Person

des technischen Dossiers (in EU): Michael S McQuaide

Anschrift der Person, die zur Erstellung von Unit 4, Mauretania Road, Nursling, der technischen Unterlagen (in der EU) befugt ist: Southampton, SO16 0YS

Produkt: Benzin-Hochdruckreiniger Wilks-USA TX850

Beschreibung: Benzin-Hochdruckreiniger

Typ / Modellnummer: Wilks-USA TX850

Konformitätsbewertungsverfahren durchgeführt von: TÜV SÜD Product Services GmbH (Hinweis:

In Anhang IV wird auf die Maschine NICHT Bezug genommen.) Wir erklären hiermit, dass die Maschine, die auch in der Maschinenrichtlinie 2006/42 / EG aufgeführt ist, allen relevanten Bestimmungen der folgenden Geräuschemission 2000/14 / EG und

anderen EG-Richtlinien entspricht: 2014/30 / EU EMV-Richtlinie

Angewandte harmonisierte Normen (vollständig): EN 60335-2-79: 2012 EN ISO 14314: 2009

EN ISO 12100:2010

EN 55012:2007 + A1:2009

Zur Abfassung der Erklärung befugte Person: Michael S McQuaide Unterschrift:



Position: Geschäftsführer

Datum:

Ausstellungsort: Unit 4, Mauretania Road, Nursling, Southampton, SO16 0YS

Diese Erklärung bezieht sich nur auf die Maschine in dem Zustand, in dem sie in Verkehr gebracht wurde; vom Endnutzer nachträglich angebrachte Teile und/oder nachträglich vorgenommene Eingriffe bleiben unberücksichtigt.

TX850 Idropulitrice a Benzina

ITALIANO



Leggere attentamente questo manuale prima dell'uso e conservarlo per riferimenti futuri. La mancata osservanza di tale precauzione potrebbe comportare infortuni, danni materiali e l'annullamento della garanzia. I prodotti interessati da questo manuale potrebbero differire per aspetto, assemblaggio, integrazioni, caratteristiche, descrizione o imballaggio.

Indice

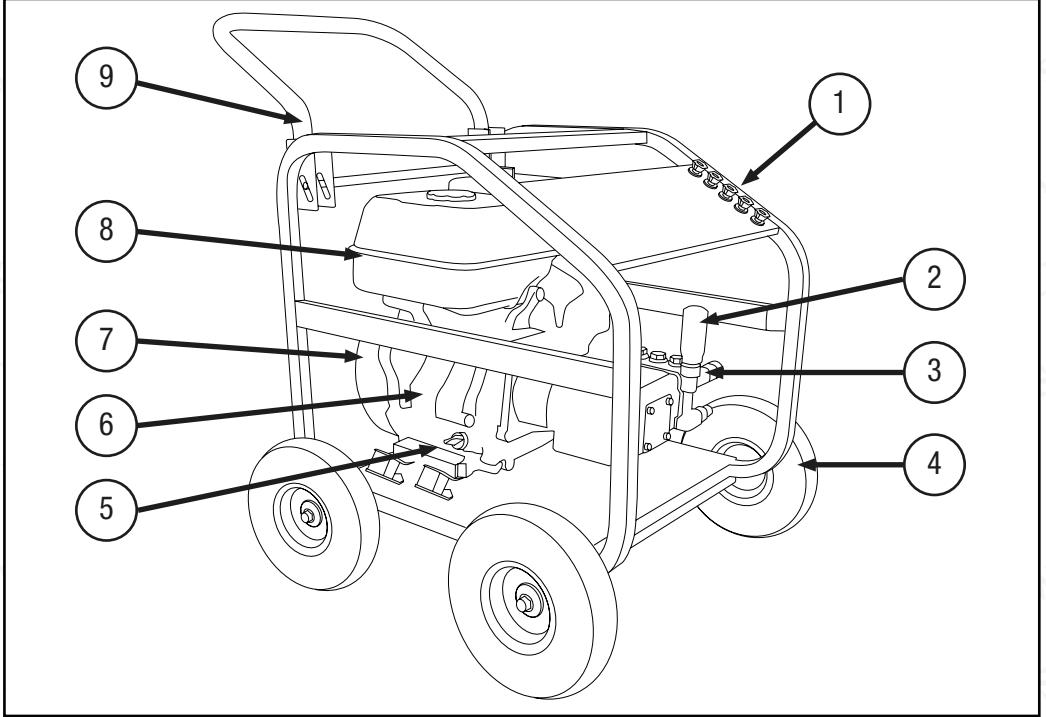
- 53 Indice
- 54 Sicurezza
- 55 Guida Rapida
- 56 Assemblaggio
- 57 Prima dell'Avvio
- 57 Collegamenti
- 58 Avvio
- 59 Arresto
- 60 Uso del Detergente
- 60 Estrazione da un barile
- 60 Ugelli
- 61 Manutenzione
 - 61 Candela
 - 61 Cambio dell'olio
 - 62 Filtro dell'aria
 - 63 Programma di Manutenzione
- 64 Conservazione
- 64 Rimessa in funzione
- 65 Risoluzione dei problemi
- 67 Specifiche
- 68 Dichiarazione di conformità CE

Sicurezza

- Rimuovere sempre l'acqua in eccesso dall'impianto dopo l'uso per evitare danni da congelamento.
- Non toccare l'ugello o gli spruzzi d'acqua durante il funzionamento.
- Non spruzzare mai direttamente sull'idropulitrice o su unità elettriche/cavi.
- Non azionare mai l'idropulitrice se il tubo flessibile ad alta pressione è danneggiato.
- Tutti i collegamenti dei tubi flessibili devono essere sigillati correttamente.
- Non scollegare mai il tubo flessibile ad alta pressione dalla macchina mentre l'impianto è ancora sotto pressione.
- Non mettere mai in funzione in presenza di un notevole cambiamento di regime del motore, una notevole perdita di pressione, un incendio del motore, segni di fumo o di incendio, vibrazioni eccessive o in caso di pioggia o intemperie.
- Tutte le apparecchiature devono essere collocate su una superficie resistente, piana e stabile.
- Mantenere l'idropulitrice pulita e priva di olio, fango e sporcizia.
- Assicurarsi che non si sia formato ghiaccio in nessuna parte dell'attrezzatura prima della messa in funzione.
- Indossare occhiali di sicurezza durante il funzionamento.
- Non spruzzare mai direttamente su persone o animali.
- Non permettere mai ai bambini di azionare l'idropulitrice.
- La pistola a spruzzo deve essere assicurata bloccando il grilletto quando non viene utilizzata.
- Non azionare l'idropulitrice per più di due minuti senza premere il grilletto.
- Testare l'idropulitrice su una piccola area poco visibile la prima volta. Alcune superfici possono essere danneggiate da spruzzi d'acqua ad alta pressione.
- Prima di ogni utilizzo, controllare il livello dell'olio.
- Utilizzare solo benzina senza piombo con un livello di ottano superiore a 86.
- Assicurarsi che il tubo flessibile non tocchi lo scarico caldo durante o dopo l'uso.
- Assicurarsi che la tanica dell'acqua sia pulita e priva di corpi estranei.
- La temperatura dell'acqua in ingresso non deve superare i 40°C e 20 PSI.

Guida Rapida

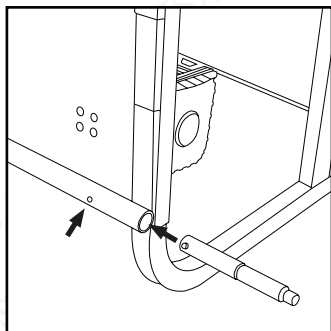
I passi successivi descrivono il metodo più rapido per mettere in funzione l'idropulitrice. Tuttavia, è essenziale leggere attentamente questo manuale per accertarsi di conoscere le caratteristiche generali di sicurezza, le precauzioni e le funzioni necessarie per l'utilizzo del prodotto. La mancata osservanza di questa precauzione può causare infortuni e danni all'idropulitrice o agli oggetti personali.



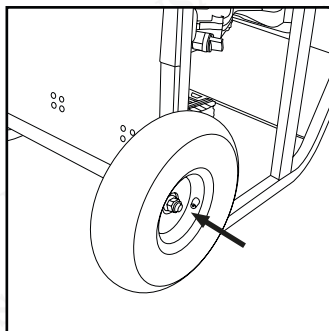
1. Pannello degli ugelli
2. Regolatore di pressione
3. Pompa
4. Ruote
5. Tappo di riempimento dell'olio

6. Motore
7. Avviamento a strappo
8. Serbatoio del carburante
9. Maniglia

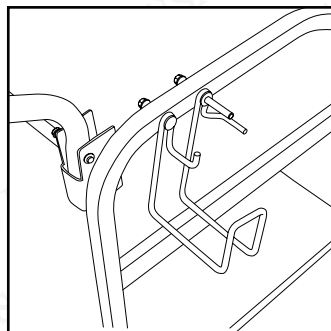
Assemblaggio



Individuare i due supporti dei due assali sul lato inferiore dell'idropulverizzatore. Inserire gli assali in modo che il gancio a molla si allinei e si incastri nel foro.



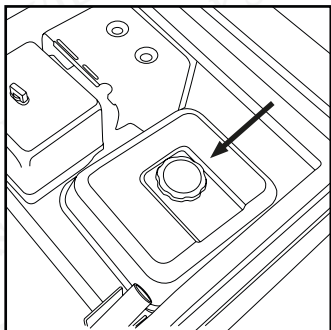
Far scorrere le ruote sugli assali e fissarle con il dado



Collegare il gancio della pistola al telaio. Far scorrere i filetti attraverso i fori e fissarli con due dadi.

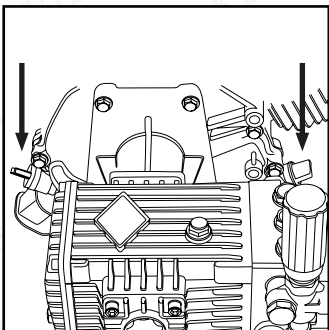
Prima dell'avvio

Nota: l'idropulverizzatore si spegnerà automaticamente in caso di presenza di olio insufficiente.



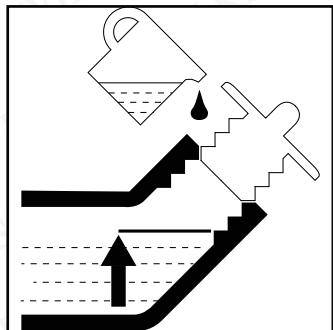
Rifornimento carburante:

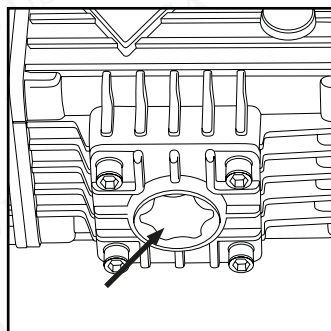
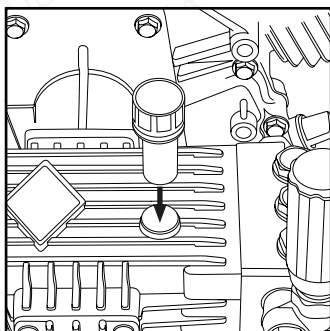
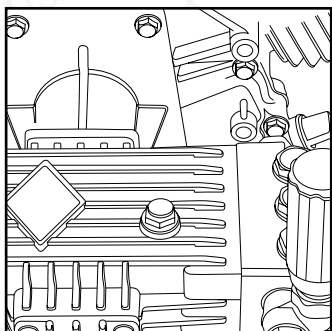
1. Aprire il tappo del serbatoio
2. Rifornire con benzina senza piombo fino al filtro.
3. Riposizionare il tappo del serbatoio



Rifornimento olio:

1. Individuare i tappi del serbatoio su entrambi i lati del motore.
2. Collocare l'idropulverizzatore su una superficie piana
3. Aprire il tappo del serbatoio dell'olio.
4. Rabboccare con olio semisintetico 10W-40 fino ai filetti.
5. Riposizionare il tappo del serbatoio dell'olio





- La pompa è dotata di un tappo di protezione nero che impedisce la fuoriuscita di olio durante il trasporto.
- Questo deve essere sostituito con il tappo di sfiato giallo prima dell'uso.

Assicurarsi che l'olio sia a metà del livello

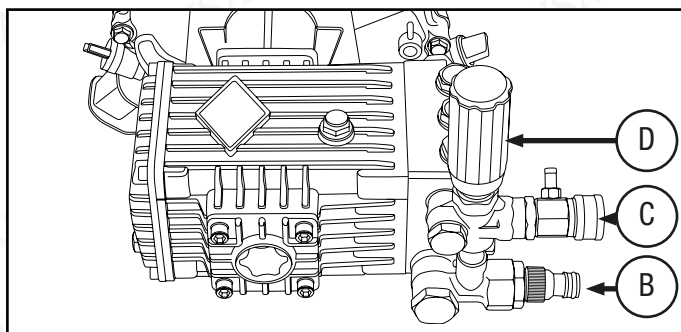
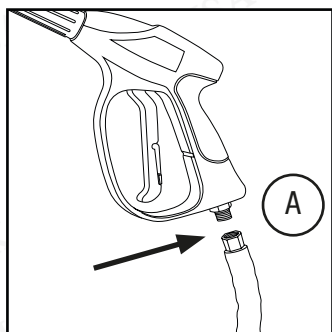
Rifornimento carburante:

1. Aprire il tappo del serbatoio
2. Rifornire con benzina senza piombo fino al filtro.
3. Riposizionare il tappo del serbatoio

Rifornimento olio:

1. Individuare i tappi del serbatoio su entrambi i lati del motore.
2. Collocare l'idropulitrice su una superficie piana
3. Aprire il tappo del serbatoio dell'olio.
4. Rabboccare con **olio semisintetico 10W-40** fino ai filetti.
5. Riposizionare il tappo del serbatoio dell'olio

Collegamenti / Pompa

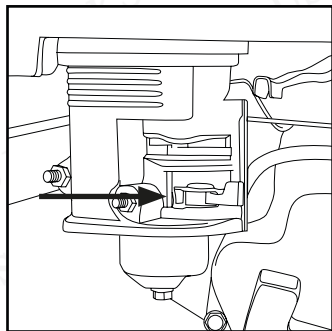


1. Collegare il tubo flessibile ad alta pressione alla pistola "A"
2. Collegare il tubo flessibile ad alta pressione alla pompa "C"
3. Collegare un tubo flessibile di alimentazione elettrica all'ingresso dell'acqua "B".

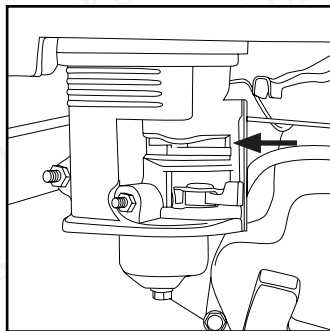
Ruotare il regolatore di pressione 'D' per controllare il PSI della pompa

Avvio

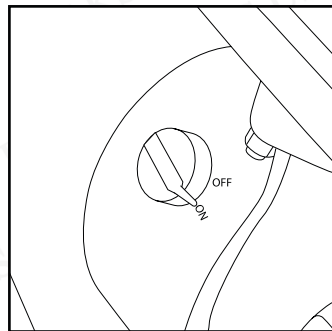
Prima di iniziare, collegare la pistola e i tubi flessibili come descritto nel paragrafo “Collegamenti”



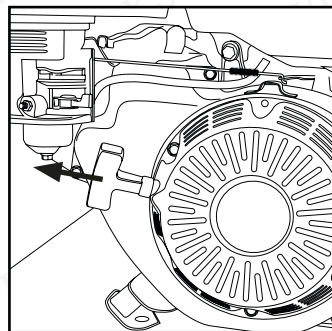
Aprire il rubinetto del carburante facendolo scorrere verso destra



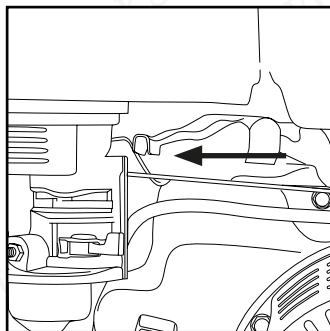
Portare lo starter a sinistra (posizione chiusa)



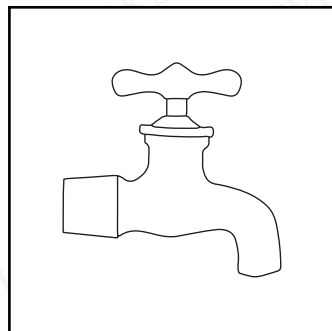
Portare l'interruttore del motore in posizione “on”



Tirare l'impugnatura a strappo per avviare il motore



Una volta in funzione tirare l'acceleratore verso sinistra (posizione di apertura)

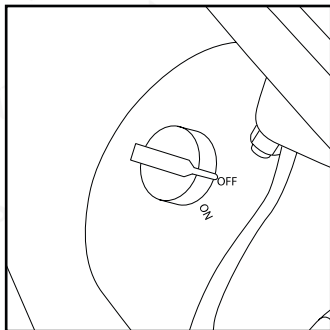


Attivare l'alimentazione idrica

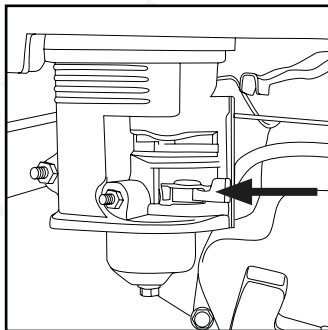
Una volta che il motore si è riscaldato, riportare lo starter nella posizione corretta (aperta).

Se si riavvia un motore caldo non c'è bisogno di portare lo starter a sinistra.

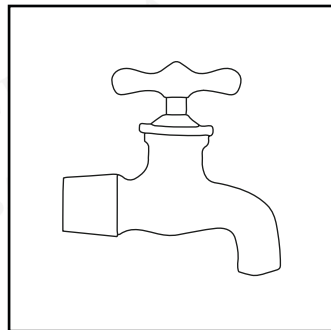
Arresto



Portare l'interruttore del motore in posizione "off"



Spegnere il rubinetto del carburante facendolo scorrere verso sinistra



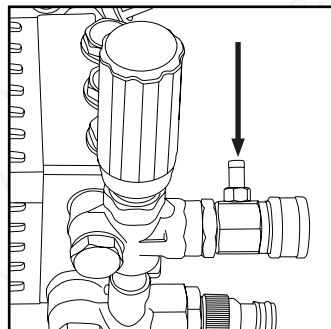
Spegnere l'alimentazione idrica

Nota: assicurarsi di premere il grilletto sulla pistola per scaricare completamente l'acqua residua rimasta nel sistema. La mancata osservanza di questa precauzione può causare danni provocati dalla corrosione o dall'espansione dell'acqua durante il congelamento.

Uso del detergente

1. Riempire un contenitore adatto con detergente per idropulitrici a pressione da miscelare secondo necessità. Non utilizzare detersivi che contengono sale.
2. Montare l'ugello blu/nero all'estremità della lancia.
3. Collegare il tubo del detergente alla pompa e immergere l'altra estremità nella soluzione.
4. L'aspirazione e la miscelazione avverrà attraverso il flusso dell'acqua nella pompa. Potrebbe essere necessario utilizzare il tubo flessibile più corto fornito in combinazione con l'ugello blu/nero per creare la pressione necessaria per aspirare il detersivo.

Nota: un detergente troppo denso e viscoso non potrà fluire liberamente dal serbatoio del detergente e i residui potrebbero causare un blocco del sistema. Dopo aver utilizzato il serbatoio per il detergente, si consiglia di risciacquarlo accuratamente con acqua pulita per rimuovere ogni traccia di detergente.

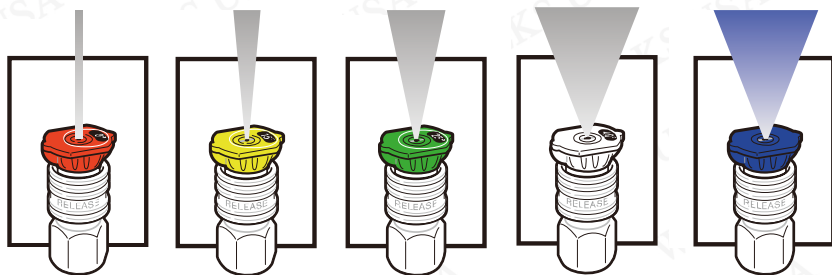


Estrazione da un barile

Prima di collegare / scollegare tubi flessibili o accessori, assicurarsi che la macchina sia spenta. Invece di collegare il tubo flessibile dalla pompa al rubinetto, utilizzare il tubo flessibile in dotazione e il set di filtri posizionando l'estremità del filtro nella rete idrica.

Si consiglia di collocare l'alimentazione idrica allo stesso livello dell'idropulitrice. Se si fatica ad ottenere l'aspirazione iniziale, rimuovere il tubo di uscita dalla pompa e provare nuovamente - questo riduce la pressione sulla pompa rendendo l'aspirazione più facile. Una volta partito il flusso, spegnere il motore e ricollegare il tubo di uscita prima di riavviare.

Ugelli



Ugello 0° (Rosso) - Questo ugello eroga un flusso preciso di acqua pressurizzata ed è estremamente potente. Dovrebbe essere diretto solo verso superfici che possono resistere a pressioni elevate, come metallo o calcestruzzo.

Ugello 15° (Giallo) - Questo ugello eroga un potente getto a 15° per la pulizia intensa di piccole aree. Perciò, deve essere utilizzato solo su aree e materiali che possono resistere a pressioni molto elevate.

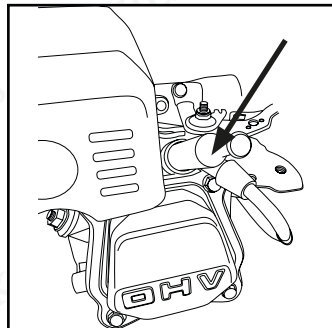
Ugello 25° (Verde) - Questo ugello eroga un getto a 25 gradi per una pulizia intensa di grandi superfici. Se ne consiglia l'utilizzo solo su aree che possono resistere a pressioni molto elevate.

Ugello 40° (Bianco) - Questo ugello eroga un getto a 40 gradi e un flusso d'acqua meno potente. Può essere utilizzato per coprire un'ampia area e per la maggior parte dei lavori di pulizia generale.

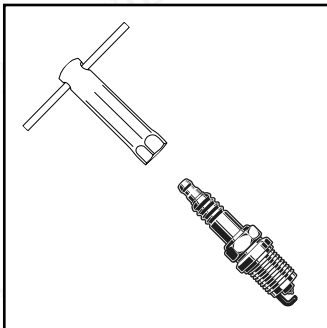
Ugello per Detergente (Nero/Blu) - Questo ugello viene utilizzato per l'applicazione di detersivo e soluzioni detergenti. Questo ugello produce la pressione più debole dei tre ugelli.

Manutenzione

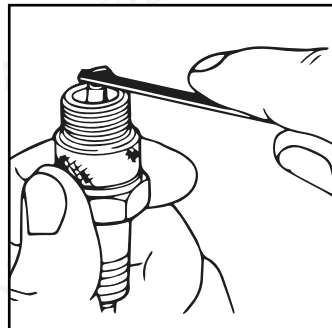
Candela



Rimuovere il cappuccio della candela

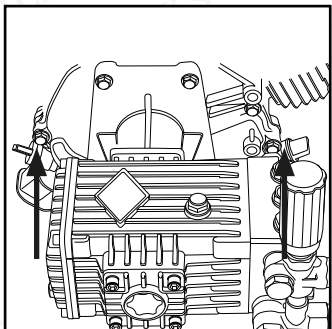


Svitare la candela con l'attrezzo in dotazione

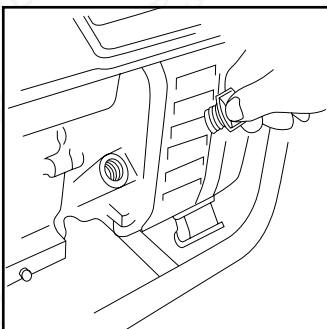


Controllare l'intercapedine con un calibro. La distanza deve essere compresa tra 0,7-0,8 mm

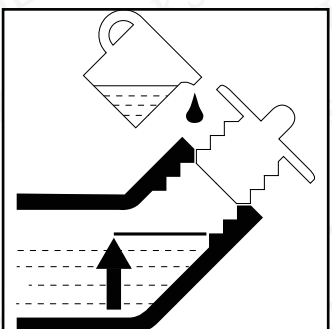
Cambio dell'olio



Individuare e svitare uno dei tappi dell'olio posti sul lato del motore



Collocare una bacinella al di sotto e inclinare l'unità per scaricare l'olio

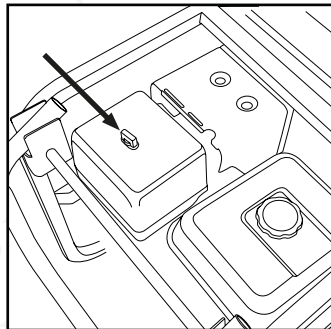


Rabboccare con **olio semisintetico 10W-40** fino al limite superiore del serbatoio

Filtro dell'aria

Il filtro dell'aria è installato sul sistema di aspirazione del motore. Esso permette all'aria pulita di raggiungere il motore per fornire la corretta combinazione aria/carburante

1. Aprire il pannello laterale del generatore
2. Controllare che il filtro dell'aria sia privo di sporcizia.
3. Se sporco, rimuovere il filtro e pulire con una soluzione detergente.
4. Strizzare per rimuovere l'acqua e lasciare asciugare.
5. Aggiungere qualche goccia d'olio
6. Stringere saldamente per distribuire l'olio e rimuovere eventuali eccessi.
7. Riposizionare il filtro dell'aria e il coperchio



Programma di manutenzione

Componente/ Funzione	Dopo ogni Uso	Dopo le prime 5 ore di utilizzo	Primo mese o 20 ore di utilizzo	Ogni tre mesi o 50 ore di utilizzo	Ogni 6 mesi o 100 ore di utilizzo	Ogni anno o 300 ore di utilizzo
Olio motore	Controllare	Sostituire	Sostituire			
Perdite di olio	Controllare / riparare se necessario					
Filtro dell'aria	Controllare	Pulire	Pulire / sostituire se necessario	Pulire / sostituire se necessario		
Gioco valvole						Regolare se necessario
Camera di combustione						Decarbonizzare se necessario
Regime minimo					Controllare / regolare se necessario	
Dadi e bulloni	Controllare / riavvitare se necessario					
Serbatoio del carburante				Scaricare e pulire		
Tubo del carburante	Controllare	Controllare/ pulire	Sostituire se necessario	Sostituire se necessario		
Filtro del carburante	Controllare	Controllare/ pulire	Pulire e sostituire se necessario	Pulire e sostituire se necessario		
Candela		Controllare/ pulire	Pulire e sostituire se necessario	Pulire e sostituire se necessario		

Conservazione

Se l'idropulitrice non verrà utilizzata o dovrà essere conservata per più di un mese, è necessario effettuare la seguente procedura di conservazione:

1. Svuotare il serbatoio del carburante e il carburatore. Assicurarsi che tutto il carburante sia stato rimosso.
2. Rimuovere la candela e versare circa un cucchiaino da tavola pieno di olio motore pulito nel foro della candela.
3. Con il quadro spento, tirare più volte delicatamente l'impugnatura del dispositivo di avviamento a strappo.
4. Riposizionare la candela e continuare a tirare l'impugnatura del dispositivo di avviamento a strappo fino a quando il pistone non si trovi sulla corsa di compressione (quando si avverte resistenza), quindi smettere di tirare.
5. Conservare l'idropulitrice in un luogo asciutto e ben ventilato sotto un telo di protezione per evitare l'accumulo di polvere o detriti sull'idropulitrice.

Se l'idropulitrice non verrà utilizzata per più di tre mesi o se c'è il pericolo di ghiaccio o gelo nel luogo in cui l'unità viene immagazzinata, specialmente durante i mesi invernali, è necessario prendere alcune precauzioni per evitare danni alla vostra idropulitrice o alla pistola. Seguire i passi precedenti per la conservazione, ma assicurarsi anche che non vi sia più acqua all'interno dell'unità. La pompa può richiedere una protezione isolante dal gelo. La pistola deve essere scaricata per evitare l'espansione dell'acqua che potrebbe danneggiarla.

Rimessa in funzione

Non si dovrebbe lasciare carburante nell'unità. Tuttavia, se è presente del carburante, assicurarsi che questo venga rimosso dal serbatoio e dal carburatore prima di fare rifornimento con carburante fresco. Controllare la vaschetta di deposito e, se necessario, svuotarla.

Nota: il carburante vecchio non è adeguato e potrebbe danneggiare il motore.

Risoluzione dei problemi

Problema	Probabile Causa	Soluzione
Fluttuazioni di Pressione	La pompa sta aspirando aria	Controllare il serraggio dei collegamenti
	Getto ostruito	Rimuovere le ostruzioni con lo strumento di pulizia del getto
La pompa non raggiunge la pressione adeguata	La pompa sta aspirando aria dai collegamenti o dal tubo flessibile	Controllare il serraggio dei collegamenti
	Le valvole di aspirazione/trasferimento sono ostruite	Pulire o sostituire le valvole. Portare la macchina dal centro di assistenza.
	Le valvole di scarico sono bloccate	Allentare e stringere nuovamente le viti di regolazione
	Lancia o ugello usurati	Controllare e/o sostituire
La pompa è in funzione ma non eroga acqua	Tubo flessibile di ingresso e/o pressione piegato	Controllare, raddrizzare e sostituire se necessario
	Filtro d'ingresso ostruito	Rimuovere e pulire il filtro
	Getto ostruito	Rimuovere le ostruzioni con lo strumento di pulizia del getto

Problema		Probabile Causa	Soluzione	
	Compressione insufficiente	Candela di accensione allentata	Stringere la candela	
		Bullone a testa cilindrica allentato	Riavvitare il bullone	
		Guarnizione danneggiata	Sostituire la guarnizione	
Il motore non si avvia Bassa potenza del motore Il motore funziona in modo irregolare	Compressione sufficiente	Problemi del Sistema di Rifornimento		
		La camera di combustione non riceve carburante	Velocità di trazione insufficiente per l'avviamento a strappo	Tirare la corda con forza
			Sostanze estranee nel serbatoio del carburante	Pulire il serbatoio
			Tubo del carburante intasato	Pulire il tubo del carburante
			Assenza di carburante nel serbatoio	Aggiungere carburante
			Il rubinetto del carburante non è aperto	Aprire il rubinetto del carburante
		Problemi del Sistema di Combustione		
		Camera di combustione (Scintilla debole)	Candela sporca di carbone o bagnata di carburante	Rimuovere il carbone o asciugare la candela
			Candela di accensione danneggiata	Sostituire la candela
			Magnete difettoso	Contattare il rivenditore
Camera di combustione (Scintilla Forte)	Regolazione del carburatore inadeguata			
		Olio insufficiente	Su una superficie piana, assicurarsi che l'olio venga rabboccato fino ai filetti del bocchettone di riempimento.	

Specifiche

Pressione massima (PSI / BAR)	4800 / 331
Pressione di esercizio (PSI / BAR)	5
Portata (litri al minuto)	840
Potenza motore (CV / CC)	15/450
Tipo di motore	4-stroke OHV
Sistema di avviamento	Strappo
Tipo di olio	Semisintetico 10W-40
Tipo di carburante	Senza piombo 95+
Dimensioni L x P x A (CM)	73 x 62 x 48
Peso (KG)	73

Dichiarazione di conformità CE

Con la presente si certifica che la macchina di seguito descritta è conforme a tutte le disposizioni pertinenti della Direttiva Macchine 2006/42/CE e delle leggi e dei regolamenti nazionali che adottano questa Direttiva.

N°Rif Dichiarazione: TX850

Produttore: Union Mart Ltd

Indirizzo Produttore: Interno 4, Mauretania Road, Nursling,
Southampton, SO16 0YS

Rappresentanti Autorizzati (UE): Union Mart Ltd

Indirizzo Rappresentanti Autorizzati: Interno 4, Mauretania Road, Nursling,
Southampton, SO16 0YS

Nome del responsabile autorizzato a compilare

il fascicolo tecnico (UE): Michael S McQuaide

Indirizzo del responsabile autorizzato a compilare

il fascicolo tecnico (UE): Southampton, SO16 0YS

Prodotto: Idropulitrice a Benzina Wilks-USA TX850

Descrizione: Idropulitrice a Benzina a Pressione

N° Tipo/ Modello: Wilks-USA TX850

Procedura di valutazione della conformità effettuata da: TÜV SÜD Product Services GmbH (Nota: la macchina non è menzionata nell'allegato IV)

Attestiamo che la macchina illustrata è anche conforme Direttiva Macchine 2006/42/CE

a tutte le relative disposizioni delle seguenti Direttiva Emissioni Acustiche 2000/14/CE

Direttive CE: Direttiva CEM 2014/30/UE

Norme Armonizzate Applicate (integralmente): EN 60335-2-79:2012

EN ISO 14314:2009

EN ISO 12100:2010

Responsabile autorizzato a compilare

il fascicolo tecnico: Michael S McQuaide

Data:

Luogo di rilascio: Interno 4, Mauretania Road, Nursling,
Southampton, SO16 0YS

La presente dichiarazione si riferisce esclusivamente alla macchina nello stato in cui è stata immessa sul mercato ed esclude i componenti aggiunti e/o le operazioni effettuate successivamente dall'utilizzatore finale.

Firma:



Posizione: Amministratore Delegato

La presente dichiarazione si riferisce esclusivamente alla macchina nello stato in cui è stata immessa sul mercato ed esclude i componenti aggiunti e/o le operazioni effettuate successivamente dall'utilizzatore finale.

TX850

Hidrolimpiadora a gasolina

ESPAÑOL



Leer este manual detenidamente antes de usarlo y guardarlo para futuras referencias. De lo contrario, pueden producirse lesiones, daños materiales y anular la garantía.

Los productos cubiertos por este manual pueden variar en apariencia, ensamblaje, inclusiones, especificaciones, descripción o empaque.

Contenidos

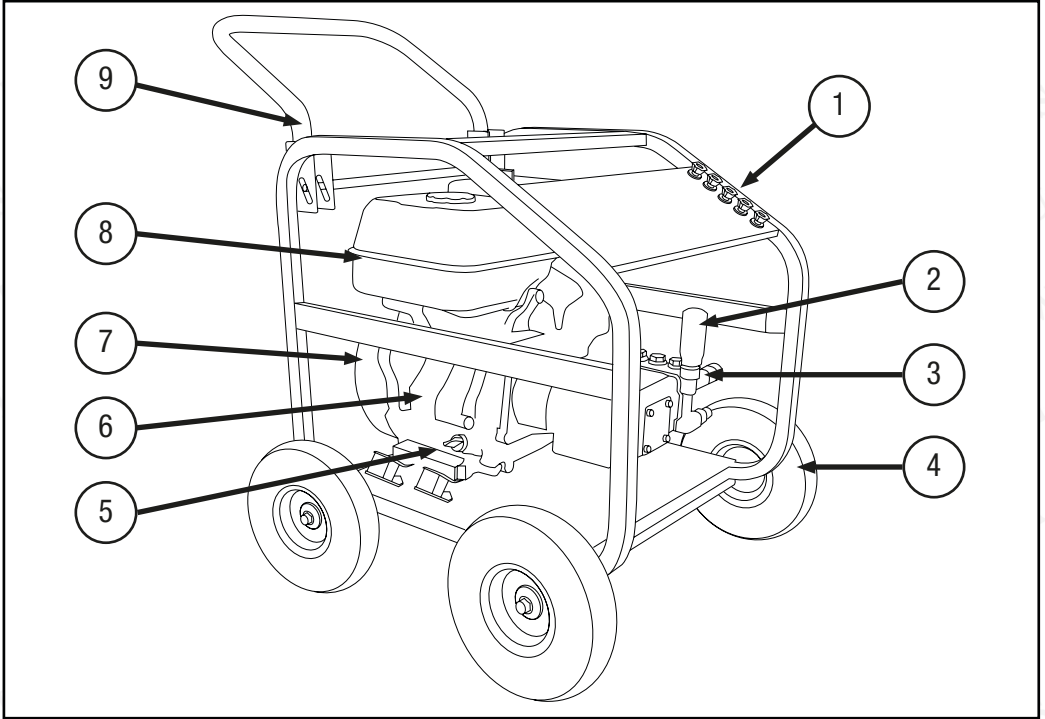
- 70 Contenidos
- 71 Seguridad
- 72 Guía de inicio rápido
- 73 Ensamblaje
- 74 Antes de empezar
- 74 Conexiones / Bomba
- 75 Encendido
- 76 Apagado
- 76 El uso de detergente
- 77 Usar agua de barril
- 77 Boquillas
- 78 Mantenimiento
- 78 Bujía
- 78 Cambio de aceite
- 79 Filtro de aire
- 80 Plan de mantenimiento programado
- 81 Cómo almacenar la limpiadora
- 81 Uso después de almacenamiento
- 82 Solución de problemas
- 83 Especificaciones
- 84 Declaración de conformidad CE

Seguridad

- Eliminar siempre el exceso de agua del sistema después de su uso para evitar daños por congelación.
- No se debe tocar la boquilla o el chorro de agua mientras esté funcionando.
- No se debe rociar directamente sobre la hidrolimpiadora, unidades o cables eléctricos.
- No se debe poner en funcionamiento la hidrolimpiadora si la manguera de alta presión presenta daños.
- Todas las conexiones de la manguera deben estar correctamente selladas.
- No se debe desconectar la manguera de descarga de alta presión de la máquina mientras el sistema todavía está presurizado.
- Nunca se debe poner en funcionamiento cuando hay un cambio notable en la velocidad del motor, una pérdida notable de presión, un fallo de encendido del motor y signos de humo o fuego, vibración excesiva o si está lloviendo.
- Todo el equipo debe colocarse sobre una superficie firme, nivelada y estable.
- Mantener la hidrolimpiadora limpia y libre de aceite, barro y suciedad.
- Asegurarse de que no se haya formado hielo en ninguna parte del equipo antes de comenzar.
- Usar gafas de seguridad al utilizar la máquina.
- No se debe rociar directamente con la manguera a personas o animales.
- Nunca se debe permitir que los niños operen la hidrolimpiadora en ningún momento.
- La pistola rociadora se debe asegurar bloqueando el gatillo cuando no esté en uso.
- No se debe hacer funcionar la hidrolimpiadora por más de dos minutos sin dejar de presionar el gatillo.
- Probar primero la hidrolimpiadora en un área pequeña y discreta. Algunas superficies pueden dañarse por el rociado de agua a alta presión.
- Antes de cada uso, verificar el nivel de aceite
- Solo usar gasolina sin plomo con un nivel de octanaje superior a 86.
- Asegurarse de que la manguera no toque el escape caliente durante o después del uso.
- Asegurarse de que el suministro de agua esté limpio y libre de objetos extraños.
- La temperatura del agua de entrada no debe exceder los 40°C y 20 PSI

Guía de inicio rápido

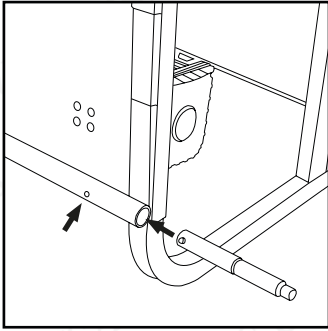
Los siguientes pasos describen el método más rápido para poner en funcionamiento su hidrolimpiadora. Sin embargo, es esencial que lea completamente este manual para asegurarse de estar familiarizado con las características generales de seguridad, precauciones y funciones necesarias para operar el producto. De lo contrario, podría sufrir lesiones y daños a su limpiadora o artículos personales.



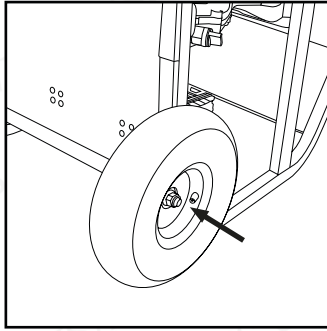
1. Panel de boquillas
2. Ajustador de presión
3. Bomba
4. Ruedas
5. Tapón de aceite

6. Motor
7. Arrancador manual
8. Depósito de combustible
9. Asa

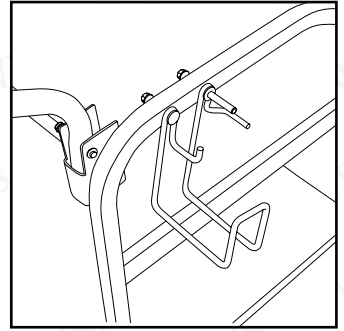
Ensamblaje



Localizar los agujeros del eje en la parte inferior del marco. Insertar el eje de manera que el clip de resorte encaje en su lugar



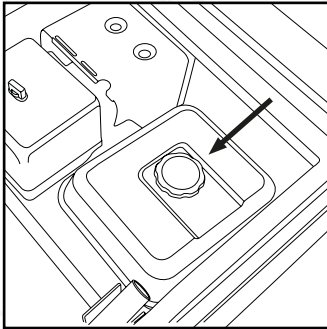
Deslizar la rueda sobre el eje y asegurarla con la tuerca.



Fijar el gancho de la pistola a la estructura. Deslizar los dientes roscados a través de los agujeros y asegurarlos con dos tuercas.

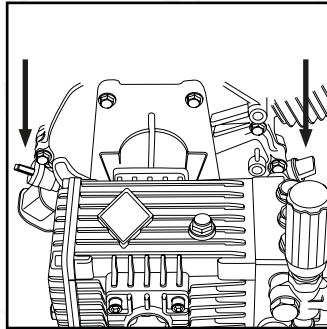
Antes de empezar

Note: La limpiadora se apagará automáticamente si se detecta insuficiente cantidad de aceite.



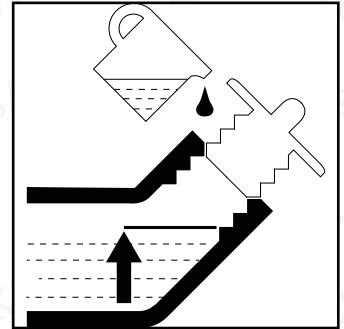
Añadir combustible:

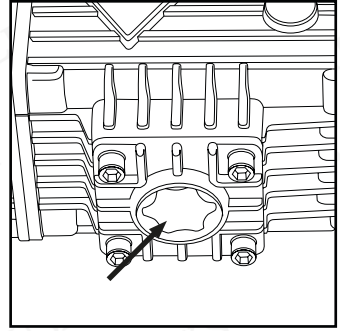
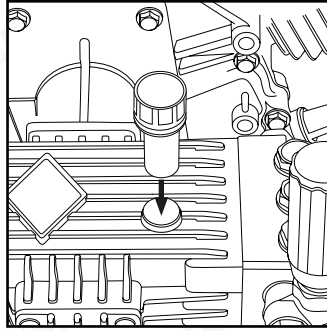
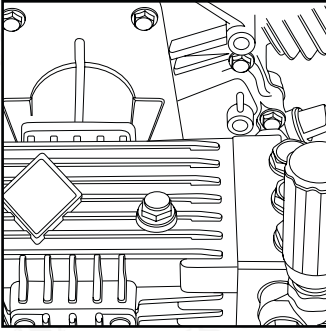
1. Abrir el tapón de llenado
2. Llenar con gasolina sin plomo hasta el filtro
3. Volver a colocar el tapón de llenado



Añadir aceite

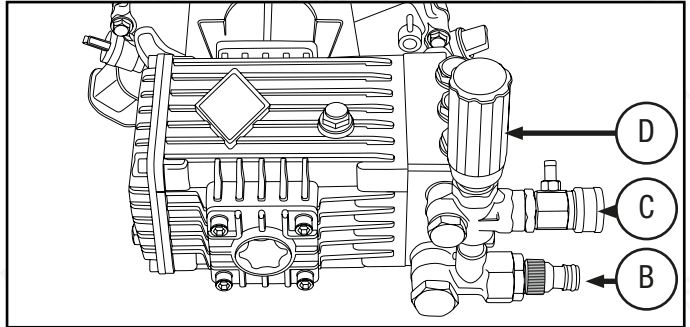
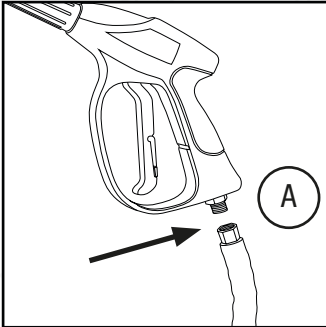
1. Ubicar los tapones de llenado a ambos lados del motor
2. Colocar la limpiadora en una superficie nivelada
3. Abrir el tapón de llenado de aceite
4. Rellenar con aceite semisintético 10W-40 hasta las roscas
5. Volver a colocar el tapón de llenado de aceite





- La bomba está equipada con un tapón de envío negro que evita que el aceite precargado escape durante el tránsito.
- Esto debe reemplazarse con el tapón de ventilación amarillo antes de su uso.
- Asegurarse de que el aceite esté a la mitad del nivel

Conexiones / Bomba

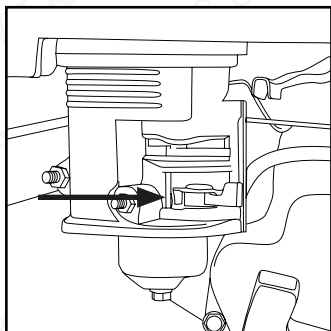


1. Conectar la manguera de alta presión a la pistola 'A'
2. Conectar la manguera de alta presión a la bomba 'C'
3. Conectar la manguera de suministro de agua a la entrada de agua 'B'

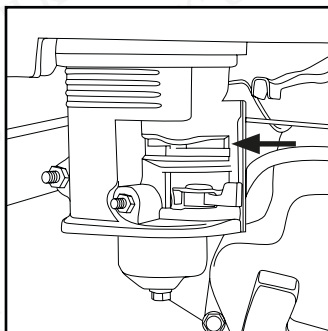
Girar el ajustador de presión 'D' para controlar el PSI de la bomba.

Encendido

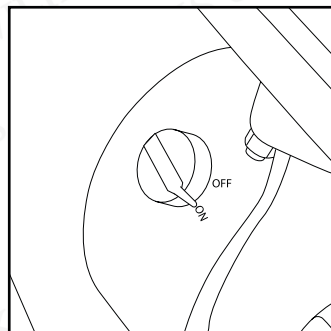
Antes de comenzar, conectar la pistola y las mangueras como se describe en 'Conexiones'



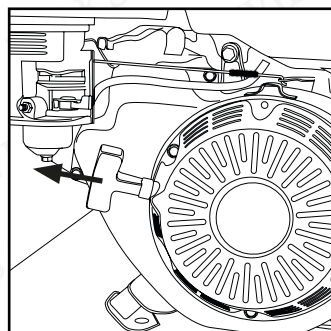
Abir la espita de combustible deslizando hacia la derecha



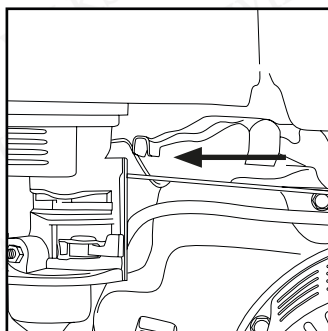
Colocar el estrangulador a la izquierda (posición cerrada)



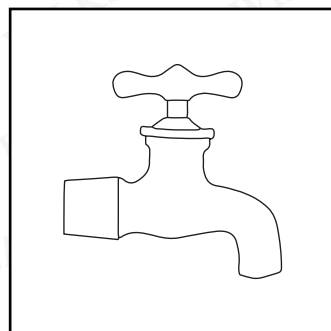
Poner el interruptor del motor en la posición 'ON'



Tirar de la palanca de arranque manual firmemente para arrancar el motor



Una vez que esté en funcionamiento, tirar del regulador hacia la izquierda (posición abierta)

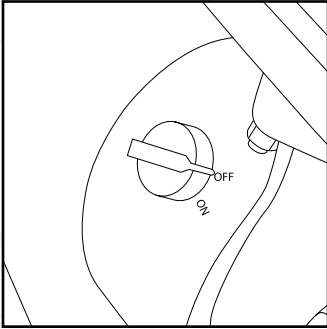


Abir el suministro de agua

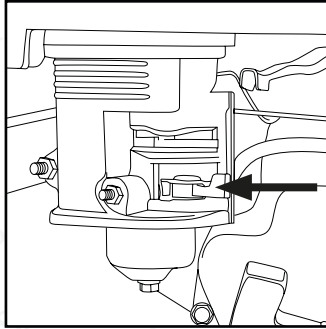
Una vez que esté funcionando y el motor se haya calentado, volver el obturador a la posición derecha (abierto).

Si se reinicia un motor caliente, no es necesario moverlo hacia la izquierda.

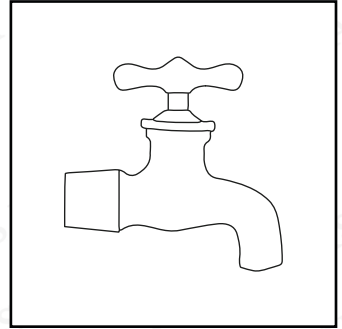
Apagado



Poner el interruptor del motor en la posición "OFF"



Cerrar la espita de combustible deslizándola hacia la izquierda



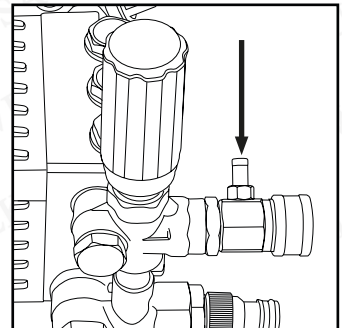
Cerrar el suministro de agua

Nota: asegurarse de presionar el gatillo de la pistola para drenar completamente el agua residual que quede en el sistema. En caso contrario el equipo podría sufrir daños debido a la corrosión o la expansión del agua durante la congelación.

El uso de detergente

1. Abrir la tapa frontal del tanque de detergente y llenarlo con un detergente para hidrolimpiadoras adecuado. No usar jabón líquido para lavar platos ya que contiene sal.
2. Ajustar la boquilla azul / negra al final de la lanza.
3. La succión y la mezcla ocurrirán a medida que el agua fluye a través de la bomba. Es posible que deba colocar la manguera más corta suministrada junto con la boquilla azul / negra para crear la presión requerida para extraer el detergente.

Nota: un detergente viscoso espeso no fluirá libremente desde el tanque de detergente y es probable que el residuo cause un bloqueo en el sistema. Después de usar los accesorios para detergente se deben enjuagar bien con agua limpia para eliminar cualquier rastro de detergente.

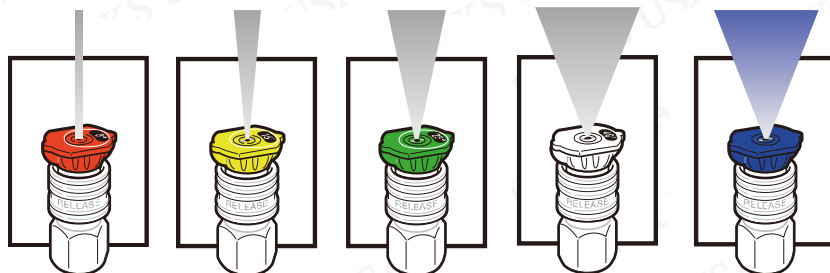


Usar agua de barril

Antes de conectar / desconectar cualquier manguera o accesorio se debe asegurar de que la máquina esté apagada. En lugar de conectar la manguera de la bomba al grifo, usar la manguera suministrada y el juego de filtros colocando el extremo del filtro en el suministro de agua.

Se recomienda que el suministro de agua esté al mismo nivel que la limpiadora. Si se tiene dificultades para obtener la succión inicial, retirar la manguera de salida de la bomba e intentar succionar nuevamente. Esto reduce la presión en la bomba y facilita la succión. Una vez que fluye, apagar el motor y volver a conectar la manguera de salida antes de volver a arrancar.

Boquillas



Boquilla de 0° (roja): esta boquilla proporciona un chorro de agua a presión preciso y es extremadamente potente. Solo debe usarse en superficies que pueden soportar alta presión, como metal u hormigón.

Boquilla de 15° - Amarillo: esta boquilla ofrece un potente patrón de rociado de 15 grados para una limpieza intensa de áreas pequeñas. Esta boquilla solo debe usarse en áreas y materiales que puedan soportar presiones muy altas.

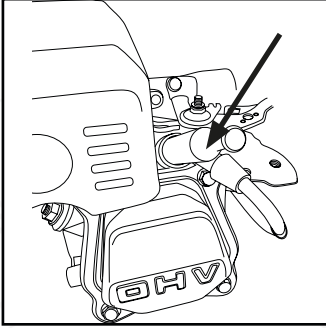
Boquilla de 25° (verde): Esta boquilla ofrece un patrón de rociado de 25 grados para una limpieza intensa de áreas más grandes. Esta boquilla solo debe usarse en áreas y materiales que puedan soportar presiones muy altas.

Boquilla de 40° (Blanca): Esta boquilla ofrece un patrón de rociado de 40 grados y un chorro de agua menos potente. Esta boquilla puede cubrir un área amplia y puede usarse para la mayoría de los trabajos de limpieza en general.

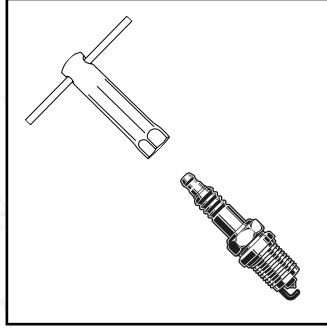
Boquilla de detergente (Azul / Negro): Esta boquilla se usa para aplicar detergente y soluciones de limpieza. Esta boquilla produce la presión más débil de las tres boquillas.

Mantenimiento

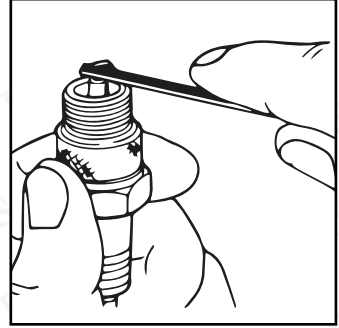
Bujía



Retirar la tapa de la bujía

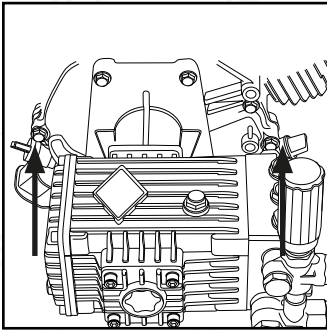


desenroscar la bujía utilizando la herramienta suministrada

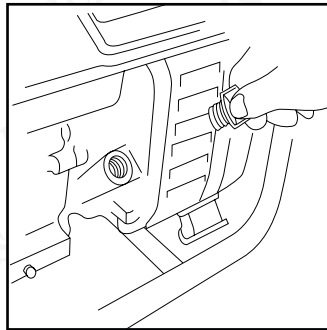


Verificar el espacio con un medidor. El espacio tiene que ser entre 0,7-0,8mm.

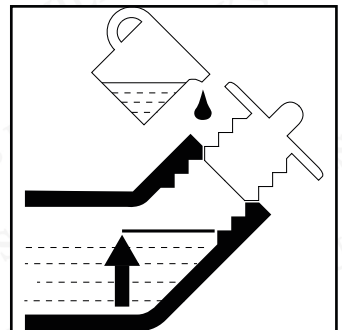
Cambio de aceite



Ubicar y retirar cualquiera de los tapones de aceite en el costado del motor.



Colocar un recipiente debajo de un lado e incline la unidad para drenar el aceite

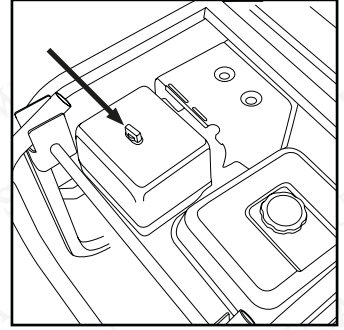


Agregar aceite semi sintético 10W-40 hasta el límite superior del orificio de llenado

Filtro de aire

El filtro de aire está instalado en el sistema de entrada del motor. Permitir que el aire limpio fluya hacia el motor para proporcionar la mezcla correcta de aire/combustible.

1. Levantar el clip para abrir la tapa del filtro de aire
2. Revisar el filtro de aire para asegurarse de que esté libre de suciedad
3. Si está sucio retirar el filtro y limpiar con un solvente limpiador
4. Exprimir para eliminar el agua y dejar secar
5. Agregar unas gotas de aceite
6. Apretar bien para distribuir el aceite y eliminar cualquier exceso
7. Instalar el filtro de aire y cubrir



Plan de mantenimiento programado

Componente /Tarea	Cada uso	Después de las primeras 5 horas de uso	Después del primer mes o 20 horas de uso	Cada 3 meses o 50 horas de uso	Cada 6 meses o 100 horas de uso	Anualmente o cada 300 horas de uso
Aceite del motor	Revisar	Reemplazar	Reemplazar			
Fugas de aceite	Verificar / reparar según sea necesario					
Filtro de aire	Revisar	Limpiar	Limpiar / reemplazar según sea necesario	Limpiar / reemplazar según sea necesario		
Holgura de la válvula						Ajustar según sea necesario
Cámara de combustión						Descarburar según sea necesario
Velocidad de ralentí					Verificar / ajustar según sea necesario	
Tuercas y tornillos	Verificar/ ajustar según sea necesario					
Depósito de Combustible				Enjuagar y limpiar		
Línea de combustible	Revisar	Verificar / limpiar	Limpiar / reemplazar según sea necesario	Reemplazar según sea necesario		
Filtro del combustible	Revisar	Verificar / limpiar	Limpiar / reemplazar según sea necesario	Limpiar / reemplazar según sea necesario		
Bujías		Verificar / limpiar	Limpiar / reemplazar según sea necesario	Limpiar / reemplazar según sea necesario		

Cómo almacenar la limpiadora

Si la limpiadora no se va a utilizar o se va a almacenar durante más de un mes, se debe llevar a cabo el siguiente procedimiento de almacenamiento:

1. Drenar todo el combustible del tanque de combustible y el carburador. Asegurarse de haber eliminado todo el combustible.
2. Retirar la bujía y verter aproximadamente una cucharada llena de aceite de motor limpio en el orificio de la bujía.
3. Con el interruptor en OFF, tirar suavemente del mango del arrancador manual varias veces.
4. Volver a colocar la bujía y continuar tirando del mango del arrancador manual hasta que el pistón esté en la carrera de compresión (cuando se siente resistencia) y luego deje de tirar.
5. Guardar la limpiadora en un lugar seco y bien ventilado, debajo de una cubierta para evitar que se acumule polvo o suciedad en la hidrolimpiadora.

Si la hidrolimpiadora no se usa por más de tres meses o si existe algún peligro de hielo o escarcha donde se almacena la unidad, especialmente durante los meses de invierno, se deben tomar ciertas precauciones para garantizar que no se dañe la limpiadora o la pistola. Seguir los pasos anteriores para el almacenamiento, pero también asegurarse de que no quede agua dentro de la unidad. La bomba puede requerir protección de aislamiento contra condiciones de congelamiento. La pistola debe drenarse de líquidos para evitar la expansión del agua, ya que esto la dañará

Uso después de almacenamiento

No debe quedar combustible en la unidad. Sin embargo, si la unidad tiene combustible, se debe asegurar de retirarlo del tanque y del carburador antes de rellenar con combustible nuevo. Revisar el recipiente de depósito y vaciar si es necesario.

Nota: el combustible viejo no se quemará correctamente y podría dañar su motor

Solución de problemas

Falla	Causa probable	Solución
Presión fluctuante	La bomba succiona aire	Verificar que las conexiones estén apretadas
	Chorro bloqueado	Eliminar el bloqueo usando la herramienta de limpieza
La bomba no alcanza la presión necesaria	La bomba succiona el aire de las conexiones o de la manguera	Verificar que las conexiones estén apretadas
	Las válvulas de succión / descarga están obstruidas	Limpiar o reemplazar las válvulas. Hacer que la máquina sea revisada por el servicio técnico
	Las válvulas de descarga están atascadas	Aflojar y volver a apretar el tornillo de regulación
	Lanza o boquilla desgastadas	Verificar y / o reemplazar
La bomba está funcionando, pero no hay suministro de agua	Manguera de entrada y/o de presión doblada	Verificar, enderezar y reemplazar si es necesario
	Filtro de entrada bloqueado	Retirar y limpiar el filtro
	Chorro bloqueado	Eliminar el bloqueo usando la herramienta de limpieza

Falla		Causa probable	Solución		
<p>El motor no arranca</p> <p>Bajo rendimiento del motor</p> <p>El motor funciona erráticamente</p>	Compresión insuficiente	Cable de la bujía flojo	Apretar		
		Perno de la tapa del cilindro flojo	Ajustar el perno		
		Junta dañada	Reemplazar junta		
		Suficiente compresión	Problemas del sistema de combustible		
			No se suministra combustible a la cámara de combustión	Velocidad de tracción insuficiente para el arrancador manual	Tirar de la cuerda con fuerza
				Materia extraña en el tanque de combustible	Limpiar el tanque
				Línea de combustible obstruida	Limpiar línea de combustible
				No hay combustible en el tanque	Añadir combustible
				Espita de combustible no está abierta	Abrir espita de combustible
			Problemas del sistema de combustión		
			Cámara de combustión (chispa pobre)	Bujía sucia con carbón o húmeda con combustible	Retirar el carbón o secar la bujía
				Bujía dañada	Reemplazar la bujía
Magneto defectuoso				Consultar distribuidor	
Cámara de combustión (buena chispa)	Ajuste inadecuado del carburador				
No hay suficiente aceite		En una superficie nivelada, asegurarse de que el aceite llegue a la rosca			

Especificaciones

Presión máxima (PSI / BAR)	4800/331
Capacidad del depósito de combustible (litros)	5
Flujo (litros por hora)	840
Potencia del motor (HP/CC)	15/450
Tipo de motor	OHV 4 tiempos
Arranque	Manual
Tipo de aceite	10W-40 semisintético
Tipo de Combustible	95+ sin plomo
Dimensiones L x An x A (cm)	73 x 62 x 48
Peso (kg)	73

Declaración de conformidad CE

Por la presente certificamos que la máquina que se detalla a continuación cumple con todas las disposiciones relevantes de la Directiva de Maquinaria CE 2006/42 / CE y las Leyes y Regulaciones Nacionales que adoptan esta Directiva.

Declaración Ref. No.: TX850

Fabricante: Union Mart Ltd

Dirección del fabricante Unit 4, Mauretania Road, Nursling

Southampton SO16 OYS

Representante autorizado (en la UE): Union Mart Ltd

Dirección representante autorizado Unit 4, Mauretania Rd, Nursling,

Southampton SO16 OYS

Nombre de la persona autorizada

a compilar el archivo técnico (en la UE): Michael S McQuaide

Dirección de la persona autorizada para Unidad 4, Mauretania Rd, Nursling

compilar el archivo técnico (en la UE): Southampton SO16 OYS

Producto Hidrolimpiadora de gasolina Wilks-USA TX850

Descripción Hidrolimpiadora de gasolina

Tipo / Modelo No.: Wilks-USA TX850

Procedimiento de evaluación de conformidad TÜV SÜD Product Services GmbH

realizado por (Nota: la maquinaria NO se menciona en el Anexo IV)

Por la presente declaramos que la máquina

cumple con todas las disposiciones relevantes Directiva de máquinas 2006/42 /CE

Directiva 2000/14/CE de Emisiones sonoras

Directivas EMC de 2014/30 / UE

Directivas de la CE:

Normas armonizadas aplicadas (en su totalidad) EN 60335-2-79: 2012

EN 1679-1:1998+A1:2011 EN 55012:2007/A1:2009

Persona facultada para redactar la declaración: Michael S McQuaide

Firma:



Puesto Director Gerente

Fecha

Lugar de emisión Unit 4, Mauretania Rd, Nursling,

Southampton, SO16 OYS

Esta declaración se refiere únicamente a las máquinas en el estado en que se comercialicen, con exclusión de los elementos añadidos y / o de las operaciones que realice posteriormente el usuario final.