

WILKS USA

PRESSURE WASHERS

OPERATION MANUAL



RX510

Electric Pressure Washer



Read this manual carefully before use and keep it for future reference. Failure to do so may result in injury, property damage and may void the warranty.

Products covered by this manual may vary in appearance, assembly, inclusions, specifications, description or packaging.

English Français Deutsch Italiano Español

V 3.0

Contents

- 02 - Contents
- 03 - Quick Start Guide
- 05 - Safety Symbols and Information
- 07 - Using your Washer
 - Angle to the Cleaning Surface
 - Distance from Cleaning Surface
 - Avoid Damaging Surfaces
 - Turbo Nozzle
 - Detergent
- 08 - Operation
 - Looking After your Product
- 09 - Troubleshooting & Technical Data
- 10 - Disposal Regulations
- 11 - CE Certification

Languages

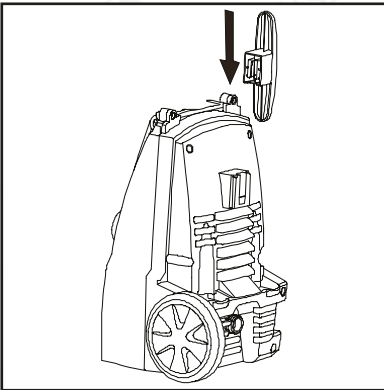
- 13 - Français
- 23 - Deutsch
- 35 - Italiano
- 45 - Español

Quick Start Guide

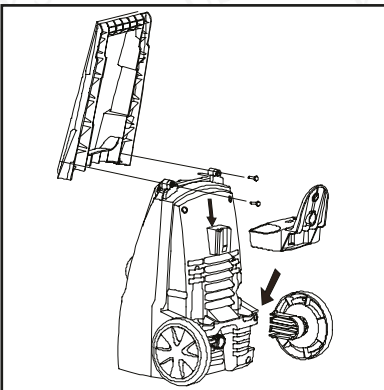


The following steps describe the quickest method to get your pressure washer up and running. However, it is essential you fully read this manual to ensure you are familiar with the general safety features, precautions and functions necessary to operate the product. Failure to do so may result in injury and damage to your washer or personal items.

ASSEMBLY

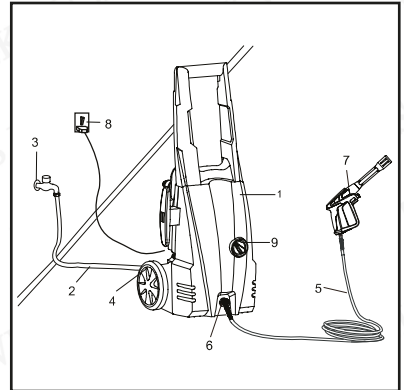


Insert the cable tidy hook into the machine



1. Fit the handle by aligning the screw holes at the base of the handle to the top of the washer unit. Tighten the two screws.
2. Fit the wheels by sliding the fitting into the sockets on the side of the washer until they lock securely.
3. Slide the hose tidy onto the back of the unit.

CONNECTION



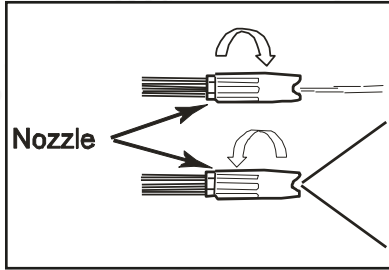
- | | |
|-----------------------|-----------------|
| 1. Pressure cleaner | 6. Water outlet |
| 2. Water supply hose | 7. Spray gun |
| 3. Water connection | 8. Power outlet |
| 4. Water inlet | 9. ON/OFF Dial |
| 5. High pressure hose | |

* No. 2, 3, 8 are not included

1. Attach the high pressure hose to the pressure water outlet of the machine.
2. Attach the spray gun to the high pressure hose. Prior to operating the machine please ensure that the high pressure hose has been completely uncoiled and do not allow it to recoil during operation.
3. Mount the lance onto the spray gun and add your desired nozzle.
4. Connect the machine to the water supply hose and power supply.
5. Turn on water supply.
6. Turn on washer after water has entered the unit.

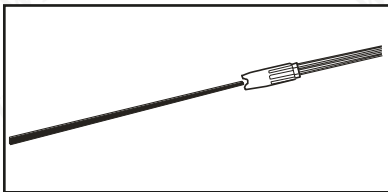
Pre operation

The angle of spray coming out of the variable nozzle may be adjusted by rotating the variable nozzle. This will vary the spray pattern from a 0° narrow high impact to 60° wide spray.



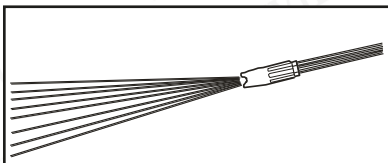
Adjusting the spray pattern

The angle of spray coming out of the variable nozzle may be adjusted by rotating the variable nozzle. This will vary the spray pattern from a 0° narrow high impact to 60° wide spray.



Narrow high impact stream

A wide spray pattern will distribute the impact of the water over a larger area, resulting in excellent cleaning action with a reduced risk of surface damage. Large surface areas can be cleaned more quickly using a wide spray pattern.

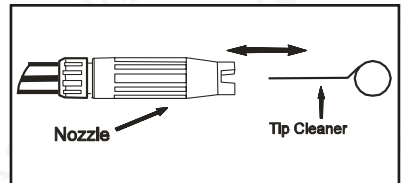


Wide angle spray pattern

Nozzle Maintenance

A clogged or partially clogged nozzle can significantly reduce water flow and cause the unit to pulsate while spraying. To clean the nozzle:

1. Turn off and unplug the unit from the electric mains.
2. Turn off the water supply and relieve any pressure trapped in the hose by squeezing gun trigger 2-3 times.
3. Separate lance from gun.
4. Rotate the nozzle to the narrow high impact stream setting. This opens up the fan blades.
5. Using the included tip cleaner, or an unfolded paper clip, insert the wire into the nozzle hole and move back and forth until any debris is dislodged.
6. Remove additional debris by back-flushing water through the nozzle. To do this, place end of a garden hose (with water running) to end of nozzle for 30-60 seconds.



Insert tip cleaner into the nozzle hole and move back and forth until debris is dislodged

After Operation

Do not store the pressure washer outdoors or in a location where it may freeze. Any water left in the machine, gun or any other components will expand if allowed to freeze, causing damage.

Always turn the motor off before turning the water supply off.

Never disconnect the hose from machine while the system is pressurized. To de-pressurize, turn the motor off, then turn the water supply off and squeeze gun trigger 2-3 times.

Safety Symbols



CAUTION: Indicates a potentially hazardous situation which, if not avoided, may result in minor or moderate injury.



WARNING: Indicates a potentially hazardous situation which, if not avoided, could result in death or serious injury.



Risk of electrocution

Safety and Warning Information



WARNING: When the machine is used, the following precautions should always be considered:

- To reduce the risk of injury, close supervision is necessary when the machine is used near children.
- Follow all safety codes as well as the Occupational Safety and Health Act (OSHA).
- Ensure safety devices are operating properly before using the machine. Do not remove or modify any part of the gun or main unit of the machine.
- Stay alert at all times when using the machine and always hold the gun firmly when operating the machine.
- Do not operate the machine when fatigued, suffering from reduced physical, sensory or mental capabilities or whilst under the influence of alcohol or drugs.
- Keep the operation area clear of all electrical equipment, persons, animals and pets. Do not leave the machine unattended when setup for use. Always engage the trigger safety latch after use.
- Do not point the pressure gun at anyone whilst the unit is connected to a water supply.
- Do not overreach or stand on an unstable support. Keep good footing and balance at all times.
- Use a cleaning agent supplied or recommend by the manufacturer. Always protect your eyes, skin, and respiratory system from detergent use.
- If your eyes (or any other sensitive part of your body) comes into contact with detergent, rinse with plenty of clean water.
- In the event of an accident, switch off the machine, pull the plug from the socket outlet and disconnect the water supply.
- Always wear safety goggles, ear protection and protective clothing even when performing maintenance.
- Never put hands or fingers over the spray tip while operating the unit.
- Never try to stop or deflect leaks with any body part.



WARNING: The electrical supply connection must be made by a qualified person and comply with IEC 60364-1. The electric supply to this machine should include either a residual-current device / circuit breaker that will interrupt the supply if the current to earth exceeds 30 mA for 30 ms.



WARNING: This is a double-insulated machine so two systems of insulation are provided instead of grounding. No grounding means are provided for a double-insulated machine, nor should grounding means be added to the machine. Servicing a double-insulated machine requires extreme care and knowledge of the system. It should be done only by qualified service personnel. Replacement parts for a double-insulated machine must be identical to the original parts.

WARNING: Do not use an inlet pressure that exceeds the operating pressure of any of the parts (hoses, fittings, etc). Ensure all equipment and accessories are rated to withstand the maximum working pressure of the unit.

WARNING: Never spray flammable liquids or use the pressure washer in areas containing combustible dust, liquids or vapours.

WARNING: Do not spray electrical apparatus and wiring.

WARNING: To ensure machine safety, please only use original spare parts (including nozzles) from the manufacturer or approved by the manufacturer.

WARNING: Make sure the inlet water is maintained between 0.01MPa and 0.4MPa.

WARNING: If the mains cable is damaged it must be replaced by the manufacturer, or its service agent or similarly qualified person to avoid a hazard or injury.

WARNING: Use only extension cords intended for outdoor use and that have an electrical rating equal to or more than the rating of the machine. Examine the cord before using and replace it if damaged. Keep the cord away from heat and sharp edges. It is recommended that you use a cord reel that keeps the socket at least 60mm above the ground.

CAUTION: Keep the hose away from sharp objects. Bursting hoses may cause injury. Examine the hose regularly and replace it if damaged. Do not attempt to repair a damaged hose.

- Never disconnect the high pressure outlet hose from the machine while the system is pressurised. To depressurise machine, turn power and water supply off, then press gun trigger 2-3 times.
- Never operate the machine without all of the components properly connected to the machine (handle, gun / lance assembly, nozzle, etc).
- Never operate the pressure washer with broken or missing parts. Check equipment regularly and repair or replace worn or damaged parts immediately.



WARNING: To reduce the risk of electrocution, keep all connections dry and off the ground. Do not touch the plug with wet hands.



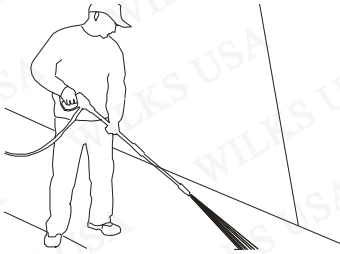
WARNING: Do not use the machine if the supply cord or any important parts of the machine are damaged (e.g. safety devices, high pressure hoses, etc).

Using your Washer

Angle to the Cleaning Surface

When spraying water against a surface, maximum impact is generated when the water strikes the surface head on. However, this type of impact tends to cause dirt particles to embed in the surface, thereby preventing the desired cleaning action.

The optimum angle for spraying water against a surface is 45 degrees.



Optimum cleaning angle of 45°

Distance from Cleaning Surface

Another factor that determines the impact force of the water is the distance from the spray nozzle to the cleaning surface

Avoid Damaging Surfaces

Damage to surfaces occurs because the impact force of the water exceeds the durability of the surface. Never use a narrow high impact stream or a turbo / rotary nozzle on a surface that is susceptible to damage.

The surest way to avoid damaging surfaces:

1. Adjust the nozzle to a wide spray pattern.
2. Place the nozzle approximately 4-5 feet from and 45 degrees to the cleaning surface.
3. Vary the spray pattern, spray angle and the distance to the cleaning surface until optimum cleaning efficiency is achieved without damaging the surface.

Turbo Nozzle

A turbo nozzle, sometimes referred to as a rotary nozzle, is a very effective tool that can significantly reduce cleaning time. The turbo nozzle combines the power of a narrow high impact stream and the efficiency of a 25 degree spray pattern. This swirls the narrow high impact stream into a cone shape that cleans a larger area.

A turbo nozzle uses a narrow high impact stream so only use it in applications where the cleaning surface cannot be damaged by narrow high impact spray. The turbo nozzle is not adjustable and cannot be used to apply detergent.

Detergent

The use of detergents can dramatically reduce cleaning time and assist in the removal of difficult stains. Some detergents have been customised for pressure washer use. The use of thick detergents such as dish soap, will clog the chemical injection system and prevent the application of the detergent. Furthermore, the salt / acid content can cause irreparable corrosion to the internal components of the washer and pump.

The cleaning power of detergents comes from applying them to a surface and giving the chemicals time to break down the dirt and grime. Detergents work best when applied at low pressure.

The combination of chemical action and high pressure rinsing is very effective. On particularly tough stains, it may be necessary to use a brush in combination with detergents and high pressure rinsing.

Operation

The following cleaning procedure will ensure that you achieve the most beneficial results in the shortest amount of time.

1. Surface preparation

Clear the working area and make sure that all windows and doors are closed tightly. Make sure that all plants and trees adjacent to the cleaning area are protected by a drop cloth.

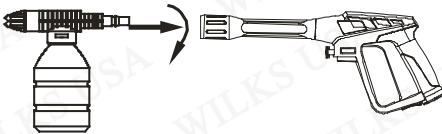
2. Initial high pressure rinse

The next step is to spray the cleaning surface with water to clear off any dirt or grime that may have collected on the surface. This will allow your detergent to attack the dirt that has worked its way into the cleaning surface. Before triggering the gun, adjust the nozzle to a wide spray pattern and slowly adjust to the desired spray pattern. This will help you avoid applying too much pressure to the surface that could cause damage.

3. Detergent application

Only use detergents formulated for pressure washers. Test the detergent in an inconspicuous area before use. Follow the manufacturer's label directions for mixing the correct concentrations of detergent to water.

1. Unscrew the top of detergent applicator and fill with detergent.
2. Put the top of detergent applicator back on.
3. Remove lance from gun.
4. Attach detergent applicator to gun.



Attach applicator to gun

5. Apply the detergent so it thoroughly covers the cleaning surface. Apply from bottom to top to prevent the detergent from sliding down and streaking.
6. Allow the detergent to remain on the surface for a few minutes. This is a good time to use a brush to lightly scrub heavily soiled areas. Never allow detergent to dry on the cleaning surface.
7. Remove detergent applicator from gun and replace with the lance.
8. Rinse detergent from surface.
9. Rinse the detergent applicator with clean water following each use.

5. Final rinse

Make sure you thoroughly rinse the surface and that all detergent has been removed.

6. Shut down

1. Make sure all detergent is flushed from the system.
2. Turn off the motor.
3. Turn off the water supply.
4. Trigger the gun to de-pressurise the system.
5. After each use, wipe all surfaces of the pressure washer with a clean, damp cloth.

Looking After your Product

1. This pressure washer is not meant to pump hot water. Never connect to a hot water supply.
2. Never operate the unit for more than one minute without spraying water. This will cause a heat build-up that can damage the pump.
3. Only use the nozzles supplied with the machine.
4. Never store the pressure washer outdoors or where it could freeze. The pump will be seriously damaged. Any components with water left inside will also be damaged, e.g. the pressure gun.
5. Release the trigger when changing the spray pattern. Failure to do so could result in damage.
6. Do not operate the pressure washer with the inlet water screen removed. Be sure to keep the screen clear of debris and sediment.
7. Make sure you clean the machine every three months and inspect the filter and the nozzle prior to every use, ensuring there is no debris that may impair use.

Troubleshooting

Symptom	Possible Cause(s)	Corrective Actions
No detergent suction	1. Detergent applicator is clogged	1. Clean applicator with warm water 2. Replace applicator
Unit begins to smoke	1. Overheated, overloaded or damaged motor	1. Turn off unit and call the dealer
Pressure washer does not start up	1. Unit is pressurised 2. Plug is not connected correctly or electrical supply is damaged / faulty 3. Thermal safety switch has tripped	1. Clean water inlet 2. Check that connections and locking ring are properly tightened 3. Switch off unit and allow to cool down
Pump does not reach necessary pressure	1. Water inlet is clogged 2. Pump sucking air from hose connections 3. Nozzle is worn or not correct size 4. Unloader / valves are clogged/ worn	1. Clean water inlet filter 2. Check that connections and locking ring are properly tightened 3. Call the dealer 4. Call the dealer
Fluctuating pressure	1. Pump is sucking air 2. Clogged nozzle 3. Valves dirty, worn or clogged 4. Water seals worn	1. Check that hoses and connections are tight 2. Clean with tip cleaner 3. Call the dealer 4. Call the dealer
Motor stops suddenly	1. Thermal safety switch has tripped due to overheating	1. Check mains supply voltage corresponds to specifications

Technical Data

Item	RX510
Working pressure	9 MPa (90 BAR)
Allowable pressure	13.5 MPa (135 BAR)
Working flow rate	6.0 Litres / min
Maximum flow rate	7.5 Litres / min
Maximum water input pressure	0.4 MPa (4 BAR)
Motor capacity	1800 Watt
Power supply voltage	240V ~ 50HZ
Maximum water temperature	50°C

Disposal Regulations

Meaning of crossed - out wheeled dustbin:



Do not dispose of electrical machines as unsorted municipal waste, use separate collection facilities. Contact your local government for information regarding the collection systems available. If electrical machines are disposed of in landfills or dumps, hazardous substances can leak into the groundwater and get into the food chain, damaging your health and well-being.

For transportation safety, the machine should comply with ISTA.

CE Certification

We hereby declare that the machine described below complies with the relevant basic safety and health requirements of the EU Directives, both in its basic design and construction as well as in the version put into circulation by us. This declaration shall cease to be valid if the machine is modified without our prior approval.

The undersigned: Michael S McQuaide

As authorised by: Union Mart Ltd

Declares that

Description: Electric Pressure Washer

Identification code: Wilks-USA RX510

Conforms to the following directives and standards:

- 2006/42/EC Machinery Directive
- 2000/14/EC Noise Emission
- 2004/108/EC EMC Directive
- 2011/65/EU&(EU)2015/863 ROHS Directive

--

- EN 60335-1 :2012+A11
- EN 60335-2-79 :2012
- EN 62233 :2008
- AfPS GS 2014 :01

Sound power level dB(A)

Measured: 79dB

Notified body: TÜV Rheinland LGA Products GmbH

The technical documentation is kept by: Union Mart Ltd

Date: 24/08/17

Signed:



Michael S McQuaide
Chief Executive Officer

Name and address of the manufacturer:

Union Mart Ltd, Company No. 8384155. Registered address: Unit 4, Mauretania Road, Nursling Industrial Estate, Southampton SO16 0YS, United Kingdom.

Electric Pressure Washer Nettoyeur Haute Pression Électrique

FRANÇAIS

RX510



Read this manual carefully before use and keep it for future reference. Failure to do so may result in injury, property damage and may void the warranty. Products covered by this manual may vary in appearance, assembly, inclusions, specifications, description or packaging.

Lisez attentivement ce manuel avant la première utilisation et conservez-le à titre de référence pour la suite. Faute de suivre ces instructions peut entraîner des blessures, des dommages matériels et peut annuler la garantie. Les produits décrits dans ce manuel peuvent varier en apparence, en assemblage, en inclusions, en spécifications, en description ou en emballage.

Sommaire

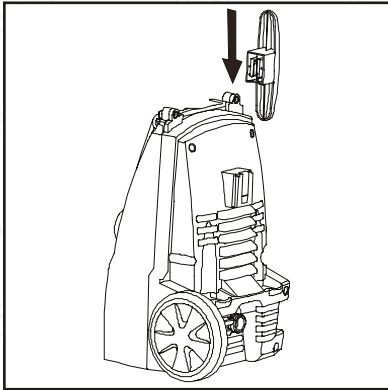
- 14 - Guide de démarrage rapide
- 16 - Symboles et consignes de sécurité
- 18 - Utilisation de votre Nettoyeur
 - Angle de nettoyage
 - Distance de la surface à nettoyer
 - Évitez les surfaces dommageables
 - Turbo Buse
 - Détergent
- 19 - Fonctionnement
 - Prendre soin de votre machine
- 20 - Dépannage et données techniques
- 21 - Réglementation en matière d'élimination
- 22 - Certificat de conformité CE

Guide de Démarrage Rapide

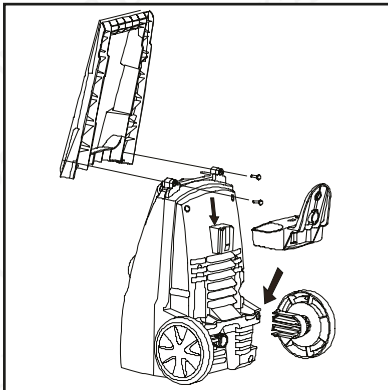


Les étapes suivantes décrivent la méthode la plus rapide pour mettre votre nettoyeur à pression en marche. Cependant, il est essentiel de lire attentivement ce manuel dans son intégrité afin de vous familiariser avec les caractéristiques de sécurité, les précautions et les fonctions nécessaires pour faire fonctionner le produit. Dans le cas contraire, vous risquez de vous blesser et d'endommager votre nettoyeur ou vos objets personnels.

ASSEMBLAGE

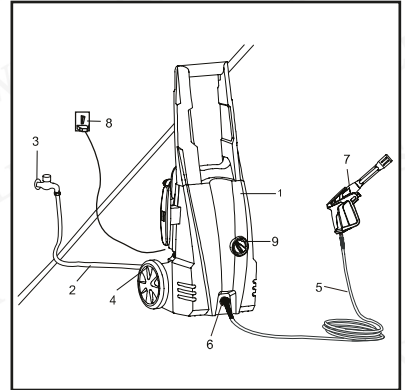


Insérez le suport de câble dans la machine.



1. Ajustez la poignée en alignant les trous situés sur la base de la poignée avec le haut du nettoyeur. Serrez les deux vis.
2. Installez les roues en faisant glisser le raccord dans les cavités sur le côté de la machine, jusqu'à ce qu'elles se clipsent en toute sécurité.
3. Faites glisser le range-tuyau à l'arrière de l'appareil.

CONNEXION



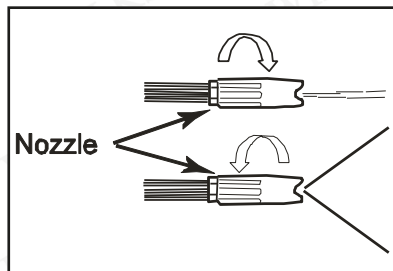
- | | |
|--------------------------------|-------------------------|
| 1. Nettoyeur haute pression | 5. Tuyau haute pression |
| 2. Tuyau d'alimentation en eau | 6. Sortie d'eau |
| 3. Connexion d'eau | 7. Pistolet |
| 4. Arrivée d'eau | 8. Prise de courant |
| | 9. Bouton ON/OFF |

* No. 2, 3, 8 non inclus

1. Raccordez le tuyau haute pression à la sortie d'eau de la machine.
2. Fixez le pistolet sur le tuyau haute pression. Avant de faire fonctionner la machine, veillez à ce que le tuyau haute pression ait été complètement déroulé et qu'il ne puisse pas reculer pendant l'utilisation.
3. Montez la lance sur le pistolet et ajoutez la buse souhaitée.
4. Connectez la machine au tuyau d'alimentation en eau et à l'alimentation électrique.
5. Ouvrez l'alimentation en eau.
6. Mettez la machine en marche une fois que l'eau est entrée dans l'appareil

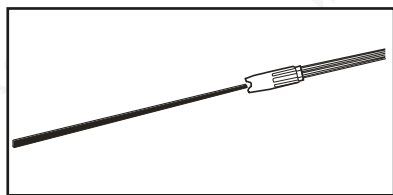
Avant Chaque Utilisation

L'angle de pulvérisation sortant de la buse variable peut être réglé en tournant la buse variable. Cela changera le jet de 0 ° avec un fort impact, à un jet de 60 ° de large.



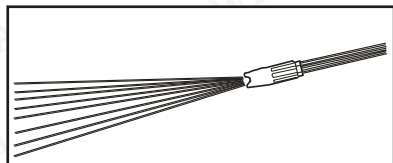
Réglage du jet

Avec un jet fin, vous obtenez une force d'impact élevée, ce qui permet un nettoyage en profondeur maximal dans une zone concentrée. Cependant, ce jet fin à fort impact doit être utilisé avec prudence. Il pourrait endommager certaines surfaces.



Jet fin à fort impact

Un jet large pulvérise de l'eau sur une plus grande surface, ce qui produira un excellent nettoyage tout en réduisant le risque d'endommager la surface. Les grandes surfaces peuvent être nettoyées plus rapidement à l'aide d'un jet large.

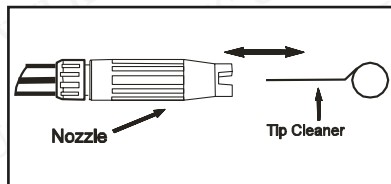


Jet grand angle

Entretien des Buses

Une buse encrassée ou partiellement encrassée peut réduire considérablement le débit d'eau et provoquer des pulsations lors de la pulvérisation. Pour nettoyer la buse:

1. Éteignez la machine sur le bouton et la prise d'alimentation
2. Fermez l'eau et relâchez la pression dans le tuyau en appuyant 2 ou 3 fois sur le pistolet à gâchette.
3. Débranchez le bras du pistolet à pression
4. Faites pivoter la buse pour obtenir le réglage de débit élevé. Cela ouvrira les pales du ventilateur
5. À l'aide de l'instrument fourni pour nettoyer les buses ou d'un trombone déplié, insérez la pointe dans la buse, puis déplacez-vous pour extraire les débris.
6. Éliminez les débris supplémentaires en pulvérisant de l'eau à travers la buse. Pour ce faire, placez la buse près d'un tuyau d'arrosage (avec de l'eau courante) et laissez l'eau éliminer les débris restants.



Insérez le nettoyeur à buse dans le trou de la buse et déplacez-le d'avant en arrière jusqu'à ce que les débris soient délogés.

Après Chaque Utilisation

Ne rangez pas le nettoyeur haute pression à l'extérieur ou dans un endroit où il pourrait geler. Toute eau laissée dans la machine, le pistolet ou tout autre composant se dilatera si on le laisse geler, ce qui pourrait causer des dommages.

Éteignez toujours le moteur avant de couper l'alimentation en eau.

Ne débranchez jamais le tuyau de la machine lorsque le système est sous pression. Pour réduire la pression, éteignez le moteur, fermez l'alimentation en eau et appuyez sur la gâchette du pistolet 2 à 3 fois.

Symboles de Sécurité



ATTENTION: Indique une situation potentiellement dangereuse qui, si elle n'est pas évitée, peut entraîner des blessures mineures ou modérées.



AVERTISSEMENT: Indique une situation potentiellement dangereuse qui, si elle n'est pas évitée, pourrait entraîner la mort ou des blessures graves.



Risque d'électrocution

Consignes de Sécurité



AVERTISSEMENT: Lorsque la machine est en marche, les précautions suivantes doivent toujours être prises en compte:

- Pour réduire les risques de blessures, une surveillance étroite est nécessaire lorsque la machine fonctionne à proximité d'enfants.
- Respectez tous les codes de sécurité ainsi que la loi relative à la sécurité et la santé au travail (OSHA).
- Assurez-vous que les dispositifs de sécurité fonctionnent correctement avant d'utiliser la machine. Ne retirez ou ne modifiez aucune partie du pistolet ou de l'unité principale de la machine.
- Restez vigilant en permanence lors de l'utilisation de la machine et tenez toujours fermement le pistolet lorsque vous utilisez la machine.
- N'utilisez pas la machine lorsque vous êtes fatigué, que vous avez des capacités physiques, sensorielles ou mentales réduites ou sous l'influence de l'alcool ou de drogues.
- Gardez la zone d'opération à l'écart de tout équipement électrique, de personnes et d'animaux. Ne laissez pas la machine sans surveillance lors de la mise en route. Enclenchez toujours le loquet de sécurité de la gâchette après chaque utilisation.
- Ne dirigez pas le pistolet à pression vers une personne alors que l'appareil est branché à un point d'eau.
- Ne vous penchez pas et ne vous tenez pas sur un support instable. Gardez toujours une position stable et sûre.
- Utilisez un agent nettoyant fourni ou recommandé par le fabricant. Protégez toujours vos yeux, votre peau et votre système respiratoire contre l'utilisation de détergent.
- Si vos yeux (ou toute autre partie sensible du corps) entrent en contact avec le détergent, rincez abondamment à l'eau claire.
- En cas d'accident, éteignez la machine, débranchez-la à la prise de courant, et débranchez l'alimentation en eau.
- Portez toujours des lunettes de protection, des protections auditives et des vêtements de protection, même lors de petits travaux d'entretien.
- Ne mettez jamais vos mains ou vos doigts devant la buse lorsque la machine est en marche.
- N'essayez jamais d'arrêter ou de dévier les fuites avec une partie de votre corps.



AVERTISSEMENT: Le branchement électrique doit être effectué par une personne qualifiée conformément à la norme IEC 60364-1. L'alimentation électrique de cette machine doit inclure un dispositif différentiel / un disjoncteur qui interrompra l'alimentation si le courant à la terre dépasse 30 mA pendant 30 ms.



AVERTISSEMENT: Il s'agit d'une machine à double isolation. Dans un appareil à double isolation, à la place de la mise à la terre, on prévoit deux systèmes d'isolation. Aucun moyen de mise à la terre n'est prévu pour une machine à double isolation, ni ne devrait être ajouté à la machine. L'entretien d'une machine à double isolation nécessite un soin extrême et une connaissance de ce système. Cette opération ne doit être effectuée que par du personnel qualifié. Les pièces de rechange d'une machine à double isolation doivent être identiques aux pièces d'origine.

AVERTISSEMENT: N'utilisez pas une pression d'entrée supérieure à la pression de fonctionnement de l'une des pièces (tuyaux, raccords, etc.). Assurez-vous que tous les équipements et accessoires soient conçus pour résister à la pression de service maximale de l'appareil.

AVERTISSEMENT: Ne pulvérisiez jamais de liquides inflammables, et n'utilisez jamais le nettoyeur haute pression dans des zones contenant de la poussière, des liquides ou des vapeurs combustibles.

AVERTISSEMENT: Ne pulvérisiez pas d'appareils électriques ou des câbles.

AVERTISSEMENT: Pour assurer la sécurité de la machine, n'utilisez que des pièces de rechange d'origine (y compris les buses) du fabricant ou approuvées par celui-ci.

AVERTISSEMENT: Assurez-vous que l'eau d'arrivée soit bien maintenue entre 0,01 MPa et 0,4 MPa.

AVERTISSEMENT: Si le câble secteur est endommagé, il doit être remplacé par le fabricant, son agent de service ou une personne similaire qualifiée afin d'éviter tout risque ou blessure.

AVERTISSEMENT: N'utilisez que des rallonges électriques conçues pour une utilisation en extérieur et dont les caractéristiques électriques sont égales ou supérieures à celles de la machine. Examinez le cordon avant de l'utiliser et remplacez-le s'il est endommagé. Gardez le cordon à l'écart de la chaleur et de bords tranchants. Il est recommandé d'utiliser un dévidoir de cordon qui maintient la prise à au moins 60 mm du sol.

ATTENTION: Gardez le tuyau à l'abri des objets pointus. La rupture des tuyaux peut causer des blessures. Examinez le tuyau régulièrement et remplacez-le s'il est endommagé. Ne tentez pas de réparer un tuyau endommagé.

- Ne débranchez jamais le tuyau de sortie haute pression de la machine lorsque le système est sous pression. Pour dépressuriser la machine, coupez les alimentations électrique et en eau, puis appuyez 2 à 3 fois sur la gâchette du pistolet.
- Ne faites jamais fonctionner la machine sans que tous les composants soient correctement connectés à la machine (poignée, ensemble pistolet / lance, buse, etc.).

Ne faites jamais fonctionner le nettoyeur haute pression avec des pièces cassées ou manquantes. Vérifiez régulièrement l'équipement et réparez ou remplacez immédiatement les pièces usées ou endommagées.



AVERTISSEMENT: Pour réduire le risque d'électrocution, gardez toutes les connexions au sec et à l'écart du sol. Ne touchez pas la prise avec les mains mouillées.



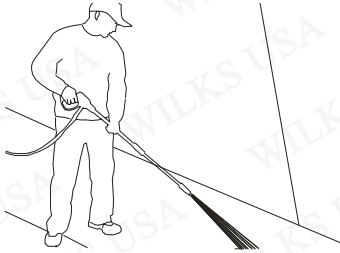
AVERTISSEMENT: N'utilisez pas l'appareil si le cordon d'alimentation ou des pièces importantes de l'appareil sont endommagés (dispositifs de sécurité, tuyaux haute pression, etc.).

Utiliser Votre Nettoyeur

Angle de nettoyage

Lorsque vous pulvérisez de l'eau sur une surface, l'impact maximum est généré lorsque l'eau heurte la surface de manière frontale (90°). Cependant, ce type d'impact a tendance à enfoncer des particules de saleté dans la surface en question, empêchant ainsi l'action de nettoyage souhaitée.

L'angle optimal pour pulvériser de l'eau sur une surface est de 45 degrés.



Distance de la surface de nettoyage

Un autre facteur déterminant la force d'impact de l'eau est la distance entre la buse de pulvérisation et la surface de nettoyage.

Évitez les Surfaces Dommageables

Les surfaces sont endommagées lorsque la force d'impact de l'eau dépasse la résistance de la surface. Ne jamais utiliser un jet étroit à fort impact ou une buse turbo / rotative sur une surface susceptible d'être endommagée.

Le moyen le plus sûr pour éviter d'endommager les surfaces:

1. Ajustez la buse sur un jet large.
2. Placez la buse à environ 1m30 de la surface à nettoyer, et à un angle de 45°.
3. Variez le type de jet, l'angle et la distance de la surface à nettoyer jusqu'à obtenir une efficacité de nettoyage optimale sans endommager la surface.

Buse Turbo

Une buse turbo, parfois appelée buse rotative, est un outil très efficace qui permet de réduire considérablement le temps de nettoyage. La buse turbo allie la puissance d'un jet étroit à fort impact et l'efficacité d'un jet de pulvérisation à 25 degrés. Cela crée un cône qui nettoie une plus grande surface.

Une buse turbo utilise un jet étroit et à fort impact. Ne l'utilisez donc que dans les endroits où la surface de nettoyage ne peut pas être endommagée par un jet étroit à fort impact. La buse turbo n'est pas réglable et ne peut pas être utilisée avec du détergent.

Détergent

L'utilisation de détergents peut réduire considérablement le temps de nettoyage et faciliter l'élimination des taches difficiles. Certains détergents ont été personnalisés pour les nettoyeurs haute pression. L'utilisation de détergents épais tels que du liquide vaisselle encombrera le système d'injection de produits chimiques et empêchera l'utilisation du détergent. De plus, la teneur en sel / acide peut provoquer une corrosion irréparable des composants internes de la machine et de la pompe.

Le pouvoir nettoyant des détergents provient de leur application sur ladite surface et du temps nécessaire aux produits chimiques pour éliminer la saleté et la crasse. Les détergents fonctionnent mieux lorsqu'ils sont appliqués à basse pression.

La combinaison de l'action chimique et du rinçage à haute pression est très efficace. Sur les taches particulièrement tenaces, il peut aussi être nécessaire d'utiliser une brosse parallèlement à des détergents et un rinçage à haute pression.

Fonctionnement

La procédure de nettoyage suivante vous permettra d'obtenir les meilleurs résultats dans les meilleurs délais.

1. Préparation de la surface

Débarrassez la zone de travail et assurez-vous que toutes les fenêtres et portes soient bien fermées. Assurez-vous que toutes les plantes et les arbres adjacents à la zone de nettoyage soient protégés par une toile de protection.

2. Rinçage initial à haute pression

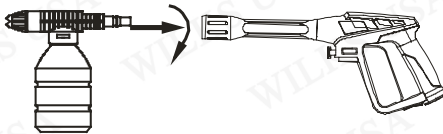
L'étape suivante consiste à pulvériser de l'eau sur la surface à nettoyer pour éliminer toute saleté ou toute crasse qui pourrait s'être accumulée à la surface. Cela permettra à votre détergent d'attaquer la saleté qui s'est introduite dans la surface à nettoyer. Avant de déclencher le pistolet, réglez la buse sur un jet large et ajustez lentement le jet souhaité. Cela vous évitera d'appliquer trop de pression sur la surface, ce qui pourrait causer des dommages.

3. Utilisation de détergent

Utilisez uniquement des détergents pour les nettoyeurs haute pression. Testez le détergent dans un endroit peu visible.

Consultez les instructions du fabricant pour mélanger les bonnes concentrations de détergent dans de l'eau.

1. Dévissez le couvercle de l'applicateur de détergent et remplissez-le de détergent.
2. Remettez le couvercle de l'applicateur de détergent.
3. Retirez la lance du pistolet.
4. Fixez l'applicateur de détergent sur le pistolet



Fixez l'applicateur au pistolet

5. Apposez le détergent afin qu'il recouvre bien la surface à nettoyer. Appliquez de bas en haut pour empêcher au détergent de glisser et de laisser des traces.

6. Laissez reposer le détergent sur la surface pendant quelques minutes. Pendant ce temps, utilisez une brosse pour frotter légèrement les zones très sales. Ne jamais laisser le détergent sécher sur la surface à nettoyer.
7. Retirez l'applicateur de détergent du pistolet et remplacez-le par la lance.
8. Rincez le détergent de la surface.
9. Rincez l'applicateur de détergent à l'eau claire après chaque utilisation.

5. Dernier Rinçage

Assurez-vous de bien rincer la surface et que tout le détergent ait été enlevé.

6. Arrêt

1. Assurez-vous que tout le détergent soit bien évacué du système.
2. Éteignez le moteur.
3. Fermez l'alimentation en eau.
4. Déclenchez le pistolet pour dépressuriser le système.
5. Après chaque utilisation, essuyez toutes les surfaces du nettoyeur haute pression avec un chiffon propre et humide.

Prendre soin de votre produit

1. Ce nettoyeur haute pression n'est pas conçu pour pomper de l'eau chaude. Ne jamais raccorder à une alimentation en eau chaude.
2. Ne faites jamais fonctionner l'appareil pendant plus d'une minute sans vaporiser d'eau. Cela provoquerait une accumulation de chaleur pouvant endommager la pompe.
3. Utilisez uniquement les buses fournies avec la machine.
4. Ne rangez jamais le nettoyeur haute pression à l'extérieur ou dans un endroit où il pourrait geler. La pompe ainsi que les composants avec de l'eau seront sérieusement endommagés, comme par exemple le pistolet à pression.
5. Relâchez la gâchette lorsque vous modifiez le schéma de pulvérisation. Ne pas le faire pourrait entraîner des dommages.
6. Ne pas utiliser le nettoyeur haute pression avec le filtre à eau retiré. Assurez-vous de garder l'écran libre de débris et de résidus.
7. Assurez-vous de nettoyer la machine tous les trois mois et d'inspecter le filtre et la buse avant chaque utilisation, en veillant à ce qu'aucun débris ne puisse nuire à l'utilisation.

Dépannage

Symptômes	Causes Possibles	Mesures Correctives
Pas d'aspiration de détergent	1. L'applicateur de détergent est bouché	1. 1. Nettoyez l'applicateur avec de l'eau tiède 2. Remplacez l'applicateur
L'unité commence à fumer	1. Moteur surchauffé, surchargé ou endommagé	1. Éteignez l'appareil et appelez le revendeur
Le nettoyeur haute pression ne démarre pas	1. L'unité est sous pression 2. La prise n'est pas correctement connectée ou l'alimentation électrique est endommagée / défectueuse 3. Interrupteur de sécurité thermique s'est déclenché	1. Nettoyez l'arrivée d'eau 2. Vérifiez que les connexions et la bague de verrouillage soient bien serrées 3. Éteignez l'appareil et laissezle refroidir
La pompe n'atteint pas la pression nécessaire	1. L'arrivée d'eau est bouchée 2. Pompez l'air aspiré des raccords de tuyaux 3. La buse est usée ou la taille ne convient pas 4. Le déchargeur / les vannes sont bouchés / usés.	1. Nettoyez le filtre d'arrivée d'eau 2. Vérifiez que les connexions et la bague de verrouillage soient bien serrées 3. Contactez le revendeur 4. Contactez le revendeur
Pression fluctuante	1. La pompe aspire de l'air 2. Buse obstruée 3. Les soupapes sont sales, usées ou encrassées 4. Joints d'eau usés	1. Vérifiez que les flexibles et les raccords soient bien serrés 2. Utilisez le nettoyeur à buse 3. Contactez le revendeur 4. Contactez le revendeur
Le moteur s'arrête soudainement	1. L'interrupteur de sécurité thermique s'est déclenché en raison d'une surchauffe	1. Vérifier que la tension d'alimentation corresponde bien aux spécifications

Données Techniques

Article	RX510
Pression de travail	9 MPa (90 BAR)
Pression admissible	13.5 MPa (135 BAR)
Débit de travail	6.0 Litres / min
Débit maximum	7.5 Litres / min
Pression d'entrée d'eau maximale	0.4 MPa (4 BAR)
Capacité moteur	1800 Watt
Tension d'alimentation	240V ~ 50HZ
Température maximale de l'eau	50°C

Réglementation en matière d'élimination

Signification du symbole "poubelle à roues barrées":



Ne jetez pas les machines électriques avec les déchets ménagers, utilisez les réseaux de collecte séparés. Contactez les autorités locales pour obtenir des informations sur les systèmes de collecte disponibles. Si les machines électriques sont jetées dans des décharges ou dans des dépotoirs, des substances dangereuses peuvent s'infiltrer dans les eaux souterraines et entrer dans la chaîne alimentaire, nuisant ainsi à votre santé et à votre bien-être.

Pour des raisons de sécurité de transport, la machine doit être conforme à la norme ISTA.

Certificat de conformité CE

Nous déclarons par la présente que la machine décrite ci-dessous est conforme aux exigences de base de sécurité et de santé des directives de l'UE, tant dans sa conception et sa construction que dans la version que nous avons mise en circulation. Cette déclaration cessera d'être valide si la machine est modifiée sans notre accord préalable.

Le soussigné: Michael S McQuaide

Autorisé par Union Mart Ltd

Déclare que

Description: Nettoyeur pression électrique

Code d'identification: Wilks-USA RX510

Se conforme aux directives et normes suivantes:

- 2006/42/EC Directive Machines
- 2000/14/EC Émission de Bruit
- 2004/108/EC Directive EMC
- 2011/65/EU&(EU)2015/863 ROHS Directive

--

- EN 60335-1 :2012+A11
- EN 60335-2-79 :2012
- EN 62233 :2008
- AfPS GS 2014 :01

Niveau de puissance acoustique dB(A)

Mesuré: 79dB

Organisme notifié: TÜV Rheinland LGA Products GmbH

La documentation technique est conservée par: Union Mart Ltd

Date: 24/08/17

Signed:



Michael S McQuaide

Directeur Général

Nom et adresse du fabricant:

Union Mart Ltd, Company No. 8384155. Registered address: Unit 4, Mauretania Road, Nursling Industrial Estate, Southampton SO16 0YS, United Kingdom.

Elektrischer Hochdruckreiniger

DEUTSCH

RX510



Bitte lesen Sie dieses Benutzerhandbuch vor Benutzung sorgfältig durch und bewahren Sie es auf. Nichtbeachtung kann zu Verletzungen, Sachschäden und zum Erlöschen der Garantie führen. Produkte, auf die sich dieses Handbuch bezieht, können in Aussehen, Zusammenbau, Einschlüßen, Spezifikationen, Beschreibung oder Verpackung abweichen.

Inhalt

24 - Inhalt

25 - Schnellstartanleitung

27 - Sicherheitssymbole und -informationen

29 - Verwenden des Reinigers

Winkel zur Reinigungsfläche Abstand zur
Reinigungsfläche Beschädigungen der Oberflächen
vermeiden Turbodüse

Reinigungsmittel

30 - Verwenden Ihres Reinigers

Betrieb mit Reinigungsmittel

Pflege Ihres Produkts

31 - Fehlerbehebung und technische Daten

32 - Entsorgungsvorschriften

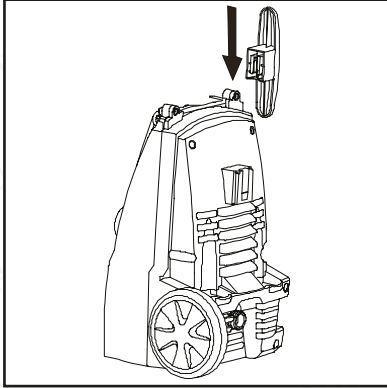
33 - CE-Zertifizierung

Schnellstartanleitung

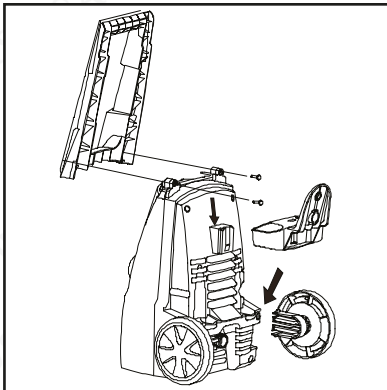


Die folgenden Schritte beschreiben die schnellste Methode, um Ihren Hochdruckreiniger in Betrieb zu nehmen. Lesen Sie dieses Handbuch unbedingt vollständig durch, um sicherzustellen, dass Sie mit den allgemeinen Sicherheitsmerkmalen, Vorsichtsmaßnahmen und Funktionen vertraut sind, die für den Betrieb des Produkts erforderlich sind. Andernfalls können Verletzungen und Schäden am Reiniger oder an persönlichen Gegenständen verursacht werden.

MONTAGE

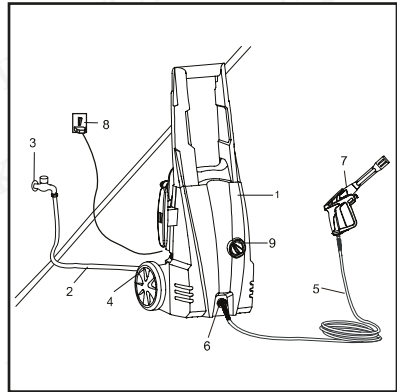


Setzen Sie den Kabelhalter in die Maschine ein



1. Bringen Sie den Griff an, indem Sie die Schraubenlöcher an der Basis des Griffs an der Oberseite des Reinigers ausrichten. Ziehen Sie die beiden Schrauben fest.
2. Montieren Sie die Räder, indem Sie den Beschlag in die Sockel an der Seite der Unterlegscheibe schieben, bis sie sicher einrasten.
3. Schieben Sie den Schlauch ordentlich auf die Rückseite des Geräts

VERBINDUNG

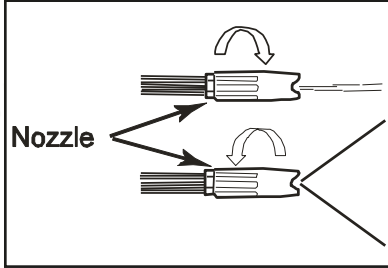


- | | |
|------------------------------|------------------------------------|
| 1. Hochdruckreiniger | 6. Wasserauslauf |
| 2. Wasserversorgungsschlauch | 7. Spritzpistole |
| 3. Wasseranschluss | 8. Ausgangleistung |
| 4. Wasserzulauf | 9. Ein / Aus-Schalter |
| 5. Flexible Hochdruckleitung | * Nr. 2, 3, 8 sind nicht enthalten |

1. Schließen Sie den Hochdruckschlauch an den Druckwasserausgang der Maschine an.
2. Bringen Sie die Spritzpistole am Hochdruckschlauch an. Stellen Sie vor Inbetriebnahme der Maschine sicher, dass der Hochdruckschlauch vollständig abgewickelt ist und lassen Sie ihn während des Betriebs nicht zurückspringen.
3. Montieren Sie die Lanze auf die Spritzpistole und fügen Sie die gewünschte Düse hinzu.
4. Schließen Sie die Maschine an den Wasserversorgungsschlauch und die Stromversorgung an.
5. Wasserversorgung einschalten.
6. Schalten Sie den einiger ein, nachdem Wasser in das Gerät eingedrungen ist.

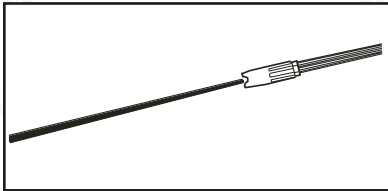
Vor dem Betrieb

Der Sprühwinkel, der aus der variablen Düse austritt, kann durch Drehen der variablen Düse eingestellt werden. Hierdurch wird das Sprühmuster von einem 0° starken Aufprall bis zu einem 60° breiten Sprühstrahl verändert



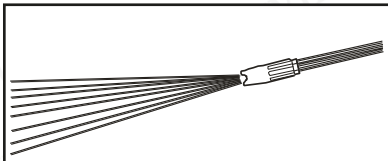
Sprühstrahl einstellen

Mit einem schmalen Strahl erhalten Sie eine hohe Kraft und dies führt zu einer maximalen Tiefenreinigung in einem konzentrierten Bereich. Dieser schmale Strahl muss jedoch vorsichtig verwendet werden, da es einige Oberflächen beschädigen kann.



Schmaler Strahl mit hohem Aufprall

Ein breites Sprühmuster verteilt den Aufprall des Wassers auf eine größere Fläche, was zu einer hervorragenden Reinigungswirkung mit einem verringerten Risiko von Oberflächenschäden führt. Große Flächen können mit einem breiten Sprühmuster schneller gereinigt werden.

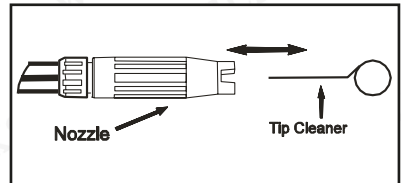


Weitwinkel-Sprühmuster

Wartung der Düsen

Eine verstopfte oder teilweise verstopfte Düse kann erheblich den Wasserdurchfluss reduzieren und das Gerät beim Sprühen pulsieren lassen. So reinigen Sie die Düse:

1. Schalten Sie das Gerät aus und ziehen Sie den Netzstecker aus der Steckdose.
2. Schalten Sie die Wasserversorgung ab und entlasten Sie den im Schlauch eingeschlossenen Druck, indem Sie den Pistolenzug 2-3 Mal drücken.
3. Lanze von Pistole trennen.
4. Drehen Sie die Düse auf die enge Einstellung für hohen Aufpralldruck. Dies öffnet die Lüfterflügel.
5. Führen Sie den Draht mit dem im Lieferumfang enthaltenen Spitzenreiniger oder einer aufgeklappten Büroklammer in das Düsenloch ein und bewegen Sie ihn vor und zurück, bis sich Schmutzpartikel gelöst haben.
6. Entfernen Sie zusätzliche Rückstände, indem Sie Wasser durch die Düse zurückschülen. Dazu das Ende eines Gartenschlauchs (bei laufendem Wasser) 30-60 Sekunden lang an das Ende der Düse anschließen.



Insérez le nettoyeur à buse dans le trou de la buse et déplacez-le d'avant en arrière jusqu'à ce que les débris soient délogés.

Nach dem Betrieb

Bewahren Sie den Hochdruckreiniger nicht im Freien oder an einem Ort auf, an dem er einfrieren kann. In der Maschine, Pistole oder anderen Bauteilen verbleibendes Wasser dehnt sich aus, wenn es gefriert und beschädigt das Gerät oder Teile davon.

Schalten Sie den Motor immer aus, bevor Sie die Wasserversorgung abstellen.

Trennen Sie niemals den Schlauch von der Maschine, während das System unter Druck steht. Zum Druckabbau den Motor ausschalten, dann die Wasserzufuhr abstellen und den Pistolenzug 2-3 Mal drücken.

Sicherheits symbole



VORSICHT: Weist auf eine gefährliche Situation hin, die bei Nichtbeachtung zu leichten oder mittelschweren Verletzungen führen kann.



WARNUNG: Weist auf eine gefährliche Situation hin, die bei Nichtbeachtung zum Tod oder zu schweren Verletzungen führen kann



Gefahr durch elektrischen Strom

Sicherheits- und Warnhinweise



WARNUNG: Wenn die Maschine benutzt wird, sollten immer die folgenden Vorsichtsmaßnahmen beachtet werden:

- Um das Verletzungsrisiko zu verringern, ist eine genaue Überwachung erforderlich, wenn die Maschine in der Nähe von Kindern verwendet wird.
- Befolgen Sie alle Sicherheitsvorschriften sowie das Arbeitsschutzgesetz (OSHA).
- Stellen Sie sicher, dass die Sicherheitsvorrichtungen ordnungsgemäß funktionieren, bevor Sie die Maschine verwenden. Entfernen oder modifizieren Sie keine Teile der Pistole oder der Haupteinheit der Maschine.
- Seien Sie während der Benutzung der Maschine immer wachsam und halten Sie die Pistole immer fest, wenn Sie die Maschine bedienen.
- Betreiben Sie die Maschine nicht, wenn Sie müde sind, unter körperlichen, sensorischen oder geistigen Einschränkungen leiden oder unter dem Einfluss von Alkohol oder Drogen stehen.
- Halten Sie den Betriebsbereich von allen elektrischen Geräten, Personen, Tieren und Haustieren fern. Lassen Sie das Gerät bei der Inbetriebnahme nicht unbeaufsichtigt. Aktivieren Sie nach dem Gebrauch immer die Sicherheitsverriegelung des Abzugs.
- Richten Sie die Druckpistole nicht auf jemanden, während das Gerät an eine Wasserversorgung angeschlossen ist.
- Nicht übergreifen oder auf einer instabilen Unterlage stehen. Jederzeit auf einen sicheren Stand achten und das Gleichgewicht halten.
- Verwenden Sie ein vom Hersteller mitgeliefertes oder empfohlenes Reinigungsmittel. Schützen Sie immer Ihre Augen, Haut und Atemwege vor der Verwendung von Reinigungsmitteln.
- Wenn Ihre Augen (oder ein anderer empfindlicher Teil Ihres Körpers) mit Reinigungsmitteln in Berührung kommen, spülen Sie sie mit reichlich sauberem Wasser aus.
- Schalten Sie im Falle eines Unfalls die Maschine aus, ziehen Sie den Stecker aus der Steckdose und trennen Sie die Wasserversorgung.
- Tragen Sie immer eine Schutzbrille, einen Gehörschutz und Schutzkleidung, auch wenn Sie Wartungsarbeiten durchführen.
- Halten Sie niemals Hände oder Finger über die Sprühspitze, während Sie das Gerät bedienen.
- Versuchen Sie niemals, Lecks mit Körperteilen zu abzudecken oder abzulenken



WARNUNG: Der Anschluss der Stromversorgung muss von einer qualifizierten Person vorgenommen werden und der Norm IEC 60364-1 entsprechen. Die Stromversorgung zu dieser Maschine sollte entweder ein Fehlerstromschutzschalter enthalten, der die Stromversorgung unterbricht, wenn der Erdstrom 30 ms lang 30 mA überschreitet.



WARNUNG: Das ist eine doppelt isolierte Maschine, daher sind anstelle der Erdung zwei Isolierungssysteme vorgesehen. Weder sind Erdungen für eine doppelt isolierte Maschine vorgesehen, noch sollten der Maschine Erdungen hinzugefügt werden. Die Wartung einer doppelt isolierten Maschine erfordert äußerste Sorgfalt und Systemkenntnisse. Dies sollte nur von qualifiziertem Servicepersonal durchgeführt werden. Ersatzteile für eine doppelt isolierte Maschine müssen mit den Originalteilen identisch sein.

WARNUNG: Verwenden Sie keinen Eingangsdruck, der den Betriebsdruck eines der Teile (Schläuche, Anschlüsse usw.) überschreitet. Stellen Sie sicher, dass alle Geräte und Zubehörteile für den maximalen Betriebsdruck des Geräts ausgelegt sind.

WARNUNG: Sprühen Sie niemals brennbare Flüssigkeiten oder verwenden Sie den Hochdruckreiniger in Bereichen, die brennbaren Staub, Flüssigkeiten oder Dämpfe enthalten.

WARNUNG: Besprühen Sie keine elektrischen Geräte und Kabel.

WARNUNG: Um die Maschinensicherheit zu gewährleisten, verwenden Sie bitte nur Originalersatzteile (einschließlich Düsen) des Herstellers, oder die vom Hersteller zugelassen sind.

WARNUNG: Stellen Sie sicher, dass das Einlasswasser zwischen 0,01 MPa und 0,4 MPa gehalten wird.

WARNUNG: Wenn das Netzkabel beschädigt ist, muss es vom Hersteller oder seinem Servicemitarbeiter oder einer ähnlich qualifizierten Person ausgetauscht werden, um Gefahren oder Verletzungen zu vermeiden.

WARNUNG: Verwenden Sie nur Verlängerungskabel, die für die Verwendung im Freien vorgesehen sind und deren elektrische Leistung mindestens der Leistung der Maschine entspricht. Untersuchen Sie das Kabel vor der Verwendung und ersetzen Sie es, wenn es beschädigt ist. Halten Sie das Kabel von Hitze und scharfen Kanten fern. Es wird empfohlen, eine Kabelrolle zu verwenden, welche den Stecker mindestens 60 mm über dem Boden hält.

VORSICHT: Halten Sie den Schlauch von scharfen Gegenständen fern. Platzende Schläuche können zu Verletzungen führen. Untersuchen Sie den Schlauch regelmäßig und ersetzen Sie ihn, wenn er beschädigt ist. Versuchen Sie nicht, einen beschädigten Schlauch zu reparieren.

- Trennen Sie niemals den Hochdruck-Auslassschlauch von der Maschine, während das System unter Druck steht. Um die Maschine drucklos zu machen, schalten Sie die Strom- und Wasserversorgung aus und drücken Sie den Pistolenabzug 2-3 Mal.
- Betreiben Sie die Maschine niemals, wenn nicht alle Komponenten ordnungsgemäß an die Maschine angeschlossen sind (Griff, Pistole / Lanze, Düse usw.).
- Betreiben Sie den Hochdruckreiniger niemals mit defekten oder fehlenden Teilen. Überprüfen Sie das Gerät regelmäßig und reparieren oder ersetzen Sie verschlissene oder beschädigte Teile sofort



WARNUNG: Um die Gefahr eines Stromschlags zu verringern, halten Sie alle Anschlüsse trocken und vom Boden fern. Berühren Sie den Netzstecker nicht mit nassen oder feuchten Händen.



WARNUNG: Verwenden Sie das Gerät nicht, wenn das Netzkabel oder wichtige Teile des Geräts beschädigt sind (z. B. Sicherheitsvorrichtungen, Hochdruckschläuche usw.).

Verwenden Ihres Reinigers

Winkel zur Reinigungsfläche

Wenn Wasser auf eine Oberfläche gesprüht wird, wird ein maximaler Aufprall erzeugt, wenn das Wasser auf die Oberfläche auftrifft. Diese Art des Aufpralls führt jedoch dazu, dass sich Schmutzpartikel in die Oberfläche einlagern, wodurch die gewünschte Reinigungswirkung verhindert wird.

Der optimale Winkel zum Besprühen einer Oberfläche mit Wasser beträgt 45 Grad.



Optimaler Reinigungswinkel von 45°

Entfernung von der Reinigungsfläche

Ein weiterer Faktor, der die Aufprallkraft des Wassers bestimmt, ist der Abstand von der Sprühdüse zur Reinigungsfläche.

Oberflächenbeschädigung vermeiden

Oberflächenschäden treten auf, weil die Aufprallkraft des Wassers die Haltbarkeit der Oberfläche übersteigt.

Verwenden Sie niemals einen engen Strahl mit hohem Aufprall oder eine Turbo / Rotationsdüse auf einer Oberfläche, die anfällig für Beschädigungen ist.

Der sicherste Weg, um Oberflächenschäden zu vermeiden:

1. Stellen Sie die Düse auf ein breites Spritzbild ein.
2. Platzieren Sie die Düse ungefähr 1,2 bis 1,5 Meter von der Reinigungsoberfläche entfernt und in einem Winkel von 45 Grad zur Reinigungsoberfläche.
3. Variieren Sie das Sprühmuster, den Sprühwinkel und den Abstand zur Reinigungsfläche, bis eine optimale Reinigungseffizienz erreicht ist, ohne die Oberfläche zu beschädigen

Turbodüse

Eine Turbodüse, manchmal auch als Rotationsdüse bezeichnet, ist ein sehr effektives Werkzeug, mit dem sich die Reinigungszeit erheblich verkürzen lässt. Die Turbodüse kombiniert die Kraft eines engen Strahls mit hohem Aufprall und die Effizienz eines 25-Grad-Sprühmusters. Das wirbelt den schmalen Strahl mit hohem Aufprall und formt einen Kegel, der einen größeren Bereich reinigt.

Eine Turbodüse verwendet einen engen Strahl mit starkem Aufprall. Verwenden Sie sie daher nur bei Anwendungen, bei denen die Reinigungsoberfläche nicht durch einen engen Strahl mit starkem Aufprall beschädigt werden kann. Die Turbodüse ist nicht einstellbar und kann nicht zum Auftragen von Reinigungsmittel verwendet werden.

Reinigungsmittel

Die Verwendung von Reinigungsmitteln kann die Reinigungszeit drastisch verkürzen und die Entfernung schwieriger Flecken unterstützen. Einige Reinigungsmittel wurden speziell für die Verwendung mit Hochdruckreinigern entwickelt. Die Verwendung von dicken Reinigungsmitteln wie Spülmittel verstopft das chemische Injektionssystem und verhindert das Aufbringen des Reinigungsmittels. Darüber hinaus kann der Salz- / Säuregehalt zu irreparabler Korrosion der inneren Komponenten des Reinigers und der Pumpe führen.

Die Reinigungskraft von Reinigungsmitteln beruht darauf, dass sie auf eine Oberfläche aufgebracht werden und die Chemikalien Zeit haben, Schmutz und Verunreinigungen abzubauen. Reinigungsmittel wirken am besten bei niedrigem Druck.

Die Kombination von chemischer Einwirkung und Hochdruckspülung ist sehr effektiv. Bei besonders harten Verschmutzungen kann es erforderlich sein, eine Bürste in Kombination mit Reinigungsmitteln und Hochdruckspülen zu verwenden.

Vorgang

Das folgende Reinigungsverfahren stellt sicher, dass Sie in kürzester Zeit die vorteilhaftesten Ergebnisse erzielen.

1. Oberflächenvorbereitung

Räumen Sie den Arbeitsbereich und stellen Sie sicher, dass alle Fenster und Türen dicht geschlossen sind. Stellen Sie sicher, dass alle Pflanzen und Bäume neben dem Reinigungsbereich geschützt sind.

2. Anfängliche Hochdruckspülung

Der nächste Schritt besteht darin, die Reinigungsfläche mit Wasser zu besprühen, um Schmutz und andere Verschmutzungen von der Oberfläche zu entfernen. Dies erlaubt dem

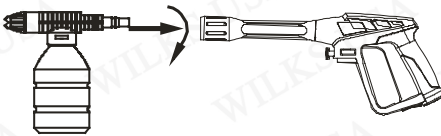
Reinigungsmittel, den in die Reinigungsfläche eingedrungenen Schmutz anzugreifen. Stellen Sie vor dem Auslösen der Pistole die Düse auf ein breites Sprühmuster ein und stellen Sie das gewünschte Sprühmuster langsam ein. Auf diese Weise vermeiden Sie zu starken Druck auf die Oberfläche, der zu Beschädigungen führen kann.

3. Reinigungsmittel

Verwenden Sie nur Reinigungsmittel für Hochdruckreiniger. Testen Sie das Reinigungsmittel vor dem Gebrauch an einer unauffälligen Stelle.

Befolgen Sie die Anweisungen auf dem Etikett des Herstellers, um die richtigen Waschmittelkonzentrationen mit Wasser zu mischen.

1. Schrauben Sie die Oberseite des Reinigungsmittelaufsatzes ab und füllen Sie das Reinigungsmittel ein.



Attach applicator to gun

2. Setzen Sie die Oberseite des Reinigungsmittelaufsatzes wieder auf.
3. Entfernen Sie die Lanze von der Pistole.
4. Den Reinigungsmittelaufsatz an der Pistole befestigen. Bringen Sie den Aufsatz an der Pistole an
5. Tragen Sie das Reinigungsmittel so auf, dass es die Reinigungsfläche vollständig bedeckt. Von unten nach oben auftragen, damit das Reinigungsmittel nicht herunterrutscht und streift.

6. Lassen Sie das Reinigungsmittel einige Minuten auf der Oberfläche liegen. Das ist ein guter Zeitpunkt, um stark verschmutzte Bereiche mit einem Pinsel leicht zu reinigen. Lassen Sie niemals Reinigungsmittel auf der Reinigungsfläche trocknen.
7. Entfernen Sie den Reinigungsmittelaufsatz von der Pistole und ersetzen Sie ihn durch die Lanze.
8. Waschmittel von der Oberfläche abspülen.
9. Spülen Sie den Reinigungsmittelaufsatz nach jedem Gebrauch mit sauberem Wasser.

5. Schlussspülung

Stellen Sie sicher, dass Sie die Oberfläche gründlich abspülen und dass alle Reinigungsmittel entfernt wurden.

6. Abschalten

1. Stellen Sie sicher, dass das Reinigungsmittel komplett aus dem System gespült wurde.
2. Schalten Sie den Motor ab.
3. Wasserversorgung abstellen.
4. Pistole abziehen, um das System drucklos zu machen.
5. Wischen Sie nach jedem Gebrauch alle Oberflächen des Hochdruckreinigers mit einem sauberen, feuchten Tuch ab.

Pflege Ihres Produkts

1. Dieser Hochdruckreiniger ist nicht zum Pumpen von heißem Wasser vorgesehen. Niemals an eine Warmwasserversorgung anschließen.
2. Betreiben Sie das Gerät niemals länger als eine Minute, ohne Wasser zu sprühen. Dies führt zu einem Hitzestau, der die Pumpe beschädigen kann.
3. Verwenden Sie nur die mit der Maschine gelieferten Düsen.
4. Lagern Sie den Hochdruckreiniger niemals im Freien oder an Orten, an denen er einfrieren könnte. Die Pumpe wird dadurch schwer beschädigt. Alle Komponenten, in denen Wasser verbleibt, werden ebenfalls beschädigt, z. B. die Druckpistole.
5. Lassen Sie den Abzug los, wenn Sie das Sprühmuster ändern. Andernfalls kann es zu Beschädigungen kommen.
6. Betreiben Sie den Hochdruckreiniger nicht, wenn das Einlasswassersieb entfernt ist. Achten Sie darauf, dass die Blende frei von Schmutz und Ablagerungen ist.
7. Stellen Sie sicher, dass Sie die Maschine alle drei Monate reinigen und den Filter und die Düse vor jeder Verwendung überprüfen, um sicherzustellen, dass keine Ablagerungen vorhanden sind, die die Verwendung beeinträchtigen könnten.

Problembehandlung

Fehler	Mögliche Ursache(n)	Korrekturmaßnahmen
Keine Waschmittelabsaugung	1. Der Reinigungsmittelaufsatz ist verstopft	1. Aufsatz mit warmem Wasser reinigen 2. Aufsatz ersetzen
Gerät beginnt zu rauchen	1. Überhitzer, überlasteter oder beschädigter Motor	1. Schalten Sie das Gerät aus und rufen Sie den Händler an
Hochdruckreiniger läuft nicht an	1. Gerät steht unter Druck 2. Der Stecker ist nicht richtig angeschlossen oder die Stromversorgung ist beschädigt / fehlerhaft 3. Thermischer Sicherheitsschalter hat ausgelöst	1. Wasserzulauf reinigen 2. Überprüfen Sie, ob die Verbindungen und der Sicherungsring richtig angezogen sind 3. Gerät ausschalten und abkühlen lassen
Pumpe erreicht nicht den erforderlichen Druck	1. Wasserzulauf ist verstopft 2. Pumpe saugt Luft aus den Schlauchanschlüssen 3. Düse ist abgenutzt oder nicht richtig dimensioniert 4. Entlader / Ventile sind verstopft / verschlissen	1. Wasserzulauf reinigen 2. Überprüfen Sie, ob die Verbindungen und der Sicherungsring richtig angezogen sind 3. Rufen Sie den Händler an 4. Rufen Sie den Händler an
Schwankender Druck	1. Pumpe saugt Luft an 2. Verstopfte Düse 3. Ventile verschmutzt, verschlissen oder verstopft 4. Wasserdichtungen verschlissen	1. Überprüfen Sie, ob die Schläuche und Anschlüsse dicht sind 2. Mit Spitzenreiniger reinigen 3. Rufen Sie den Händler an 4. Rufen Sie den Händler an
Der Motor stoppt plötzlich	1. Thermischer Sicherheitsschalter hat wegen Überhitzung ausgelöst	1. Überprüfen Sie, ob die Netzspannung den Spezifikationen entspricht

Technische Daten

Artikel	RX510
Betriebsdruck	9 MPa (90 BAR)
Zulässiger Druck	13,5 MPa (135 BAR)
Betriebsdurchlauf	6,0 Liter / min
Maximale Durchflussmenge	7,5 Liter / min
Maximaler Wassereingangsdruck	0,4 MPa (4 BAR)
Motorleistung	1800 Watt
Versorgungsspannung	240V ~ 50HZ
Maximale Wassertemperatur	50°C

Entsorgungsvorschriften

Bedeutung von durchgestrichenen Mülltonnen



Entsorgen Sie Elektrogeräte nicht als unsortierten Hausmüll, sondern über getrennte Sammelstellen.

Wenden Sie sich an Ihre örtlichen Behörden, um Informationen zu den verfügbaren Sammelsystemen zu erhalten.

Wenn Elektrogeräte auf Halden oder Deponien entsorgt werden, können gefährliche Stoffe in das Grundwasser und die Nahrungskette gelangen, was Ihrer Gesundheit und Ihrem Wohlbefinden schadet.

Aus Gründen der Transportsicherheit sollte die Maschine der ISTA entsprechen.

CE-Zertifizierung

Wir erklären hiermit, dass die nachfolgend beschriebene Maschine sowohl in ihrer grundsätzlichen Ausführung als auch in der von uns in Verkehr gebrachten Ausführung den einschlägigen grundlegenden Sicherheits- und Gesundheitsanforderungen der EU-Richtlinien entspricht. Diese Erklärung ist ungültig, wenn die Maschine ohne unsere vorherige Zustimmung geändert wird.

Der Unterzeichnete: Michael S

McQuaide **Mit Genehmigung**

von: Union Mart Ltd erklärt dies

Beschreibung: Elektrischer Hochdruckreiniger

Identifikationscode: Wilks-USA RX510

Entspricht den folgenden Richtlinien und Normen:

- 2006/42/EG, Maschinenrichtlinie
- Geräuschemission 2000/14 / EG
- 2004/108/EG, EMV-Richtlinie
- 2011/65 / EU und (EU) 2015/863 RoHS-Richtlinie

--

- EN 60335-1 :2012+A11
- EN 60335-2-79 :2012
- EN 62233 :2008
- AfPS GS 2014 :01

Schalleistungspegel dB(A)

Gemessen: 79dB

Benannte Stelle: TÜV Rheinland LGA Products GmbH

Die technischen Unterlagen werden aufbewahrt von: Union Mart Ltd Datum: 24.08.17

Unterzeichnet:



Michael S McQuaide Geschäftsführer

Name und Anschrift des Herstellers:

Union Mart Ltd, Company No. 8384155. Eingetragene Anschrift: Unit 4, Mauretania Road, Nursling Industrial Estate, Southampton SO16 0YS, Großbritannien

Idropulitrice ad Alta Pressione Elettrica

Nettoyeur Haute Pression Électrique

ITALIANO

RX510



Leggere attentamente questo manuale prima dell'uso e conservarlo per riferimenti futuri. La mancata osservanza di tale precauzione potrebbe comportare infortuni, danni materiali e l'annullamento della garanzia. I prodotti interessati da questo manuale potrebbero differire per aspetto, assemblaggio, integrazioni, caratteristiche, descrizione o imballaggio.

Lisez attentivement ce manuel avant la première utilisation et conservez-le à titre de référence pour la suite. Faute de suivre ces instructions peut entraîner des blessures, des dommages matériels et peut annuler la garantie. Les produits décrits dans ce manuel peuvent varier en apparence, en assemblage, en inclusions, en spécifications, en description ou en emballage.

Indice

35 - Indice

36 - Guida Rapida

38 - Simboli di Sicurezza e Informazioni

40 - Uso dell'Idropulitrice

Angolo di pulizia

Distanza rispetto alla superficie da pulire

Evitare di danneggiare le superfici

Ugello Turbo

Detergente

41 - Funzionamento

Manutenzione del prodotto

42 - Risoluzione dei problemi e dati tecnici

43 - Disposizioni per lo smaltimento

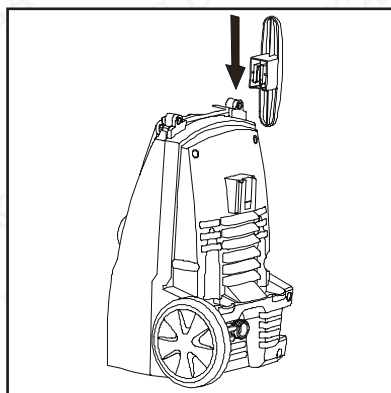
44 - Dichiarazione di conformità CE

Guida Rapida

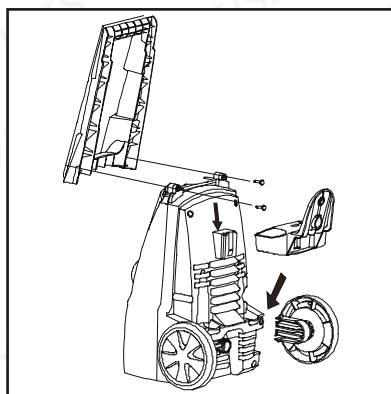


I passi successivi descrivono il metodo più rapido per mettere in funzione l'idropulitrice. Tuttavia, è essenziale leggere attentamente questo manuale per accertarsi di conoscere le caratteristiche generali di sicurezza, le precauzioni e le funzioni necessarie per l'utilizzo del prodotto. La mancata osservanza di questa precauzione può causare infortuni e danni all'idropulitrice o agli oggetti personali.

ASSEMBLAGGIO

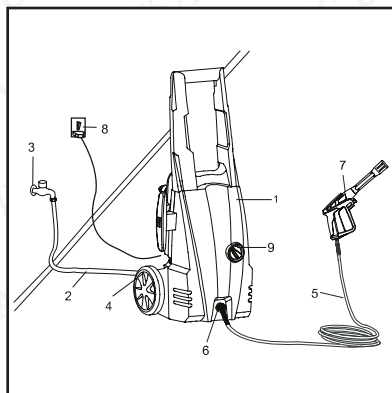


Inserire il gancio del porta cavi nella macchina



1. Regolare la maniglia allineando i fori sulla base della maniglia con la parte superiore della macchina. Serrare le due viti.
2. Installare le ruote facendo scorrere il raccordo nelle cavità sul lato della macchina fino a quando non scattano saldamente in posizione.
3. Far scorrere il porta cavi sul retro dell'unità.

CONNESSIONE



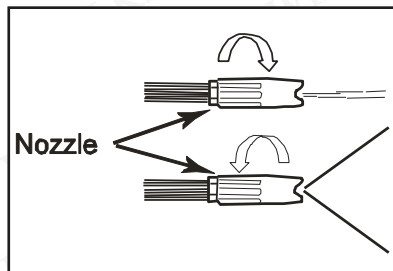
- | | |
|--|--------------------------------------|
| 1. Idropulitrice | 5. Tubo flessibile ad alta pressione |
| 2. Tubo flessibile di alimentazione idrica | 6. Uscita acqua |
| 3. Attacco acqua | 7. Pistola |
| 4. Ingresso acqua | 8. Presa di corrente |
| | 9. Pulsante ON/OFF |

* I n° 2, 3, 8 non sono inclusi

1. Collegare il tubo flessibile ad alta pressione all'uscita dell'acqua della macchina.
2. Collegare la pistola al tubo flessibile ad alta pressione. Prima di mettere in funzione la macchina, assicurarsi che il tubo flessibile ad alta pressione sia stato completamente srotolato e non possa tornare indietro durante l'uso.
3. Montare la lancia sulla pistola e aggiungere l'ugello desiderato.
4. Collegare la macchina al tubo flessibile di alimentazione idrica e all'alimentazione elettrica.
5. Aprire la rete idrica.
6. Avviare la macchina dopo che l'acqua è entrata nell'unità.

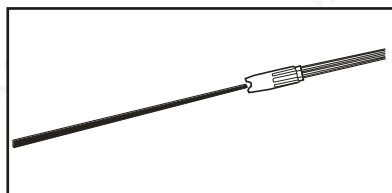
Prima di Ogni Utilizzo

L'angolo di getto dell'ugello rotante può essere regolato ruotando l'ugello. Ciò modificherà il getto da 0°, l'impatto più elevato, a 60° di ampiezza.



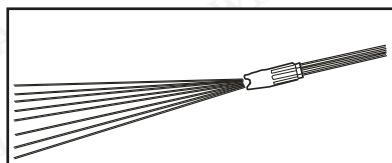
Regolazione della pressione

Con un getto sottile si ottiene un'elevata forza d'urto, che consente una pulizia estremamente profonda in un'area ristretta. Tuttavia, questo getto ad alto impatto dovrebbe essere usato con cautela. Potrebbe danneggiare alcune superfici.



Getto sottile o d'urto

Un getto ampio spruzza acqua su un'area più estesa, in modo da ottenere un'eccellente pulizia riducendo, al tempo stesso, il rischio di danneggiare la superficie. Le grandi superfici possono essere pulite più rapidamente con un getto ampio.

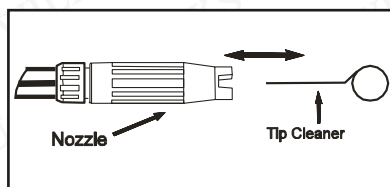


Getto ampio

Manutenzione dell'Ugello

Un ugello ostruito o parzialmente ostruito può ridurre significativamente il flusso d'acqua e causare vibrazioni durante la spruzzatura. Per pulire l'ugello:

1. Spegnerne e scollegare l'apparecchio dalla rete elettrica.
2. Spegnerne l'alimentazione idrica e scaricare l'eventuale pressione intrappolata nel tubo flessibile premendo 2-3 volte il grilletto della pistola.
3. Separare la lancia dalla pistola.
4. Ruotare l'ugello sulla posizione del getto d'urto ad alto impatto. In questo modo si apriranno le alette della ventola.
5. Usando l'attrezzo in dotazione, o una graffetta non piegata, inserire il ferro nel foro dell'ugello e spostarsi avanti e indietro fino a rimuovere eventuali detriti.
6. Rimuovere ulteriori detriti facendo circolare l'acqua attraverso l'ugello. Per fare questo, posizionare l'estremità di un tubo da giardino (con acqua) in corrispondenza dell'estremità dell'ugello da 30 a 60 secondi.



Inserire l'attrezzo per pulire l'ugello nel foro dell'ugello e spostarlo avanti e indietro fino a quando i detriti non vengono rimossi.

Dopo Ogni Utilizzo

Non conservare l'idropulitrice all'esterno o in un luogo dove potrebbe gelare. L'acqua rimasta nella macchina, nella pistola o in altri componenti si espande se viene lasciata congelare, causando danni.

Spegnerne sempre il motore prima di spegnere l'alimentazione idrica.

Non scollegare mai il tubo flessibile dalla macchina mentre il sistema è sotto pressione. Per ridurre la pressione, spegnere il motore, spegnere l'alimentazione idrica e premere il grilletto della pistola da 2 a 3 volte.

Simboli di Sicurezza



ATTENZIONE: Indica una situazione potenzialmente pericolosa che, se non evitata, può provocare lesioni lievi o moderate.



AVVERTENZA: Indica una situazione potenzialmente pericolosa che, se non evitata, potrebbe causare la morte o lesioni gravi.



Rischio di elettrocuzione

Sicurezza e Informazioni Importanti



AVVERTENZA: la macchina è in funzione, bisogna sempre rispettare le seguenti precauzioni:

- Per ridurre il rischio di infortuni, è necessaria una stretta sorveglianza quando la macchina viene utilizzata nelle vicinanze di bambini.
- Attenersi a tutti i codici di sicurezza e alla legge sulla sicurezza e la salute sul lavoro (OSHA).
- Assicurarsi che i dispositivi di sicurezza funzionino correttamente prima di utilizzare la macchina. Non rimuovere o modificare alcuna parte della pistola o dell'unità principale della macchina.
- Mantenere un'attenzione costante durante l'uso della macchina e tenere sempre la pistola saldamente in mano quando si utilizza la macchina.
- Non azionare la macchina quando si è stanchi, affetti da ridotte capacità fisiche, sensoriali o mentali, o sotto l'effetto di alcool o droghe.
- Tenere l'area operativa lontana da apparecchiature elettriche, persone, animali e animali domestici. Non lasciare l'apparecchio incustodito durante l'installazione per l'uso. Dopo l'uso, inserire sempre il fermo di sicurezza del grilletto.
- Non puntare la pistola a pressione verso nessuno mentre l'unità è collegata ad un'alimentazione idrica.
- Non sostare su una superficie instabile. Mantenere sempre una buona stabilità e un buon equilibrio.
- Utilizzare un detergente fornito o consigliato dal produttore. Proteggere sempre gli occhi, la pelle e le vie respiratorie dall'uso di detersivi.
- Se gli occhi (o qualsiasi altra parte sensibile del corpo) vengono a contatto con il detergente, risciacquare abbondantemente con acqua pulita.
- In caso di incidente, spegnere l'apparecchio, staccare la spina dalla presa di corrente e scollegare l'alimentazione idrica.
- Indossare sempre occhiali di sicurezza, cuffie e indumenti protettivi anche durante le operazioni di manutenzione.
- Non mettere mai le mani o le dita sull'ugello durante l'uso dell'apparecchio.
- Non tentare mai di fermare una fuoriuscita con qualsiasi parte del proprio corpo.



AVVERTENZA: Il collegamento elettrico deve essere effettuato da personale qualificato e deve essere conforme alle norme IEC60364-1.

L'alimentazione elettrica di questa macchina dovrebbe includere un interruttore automatico che interrompa l'alimentazione se la tensione supera i 30 mA per 30 ms.



AVVERTENZA: Si tratta di una macchina a doppio isolamento, per cui al posto della messa a terra sono previsti due sistemi di isolamento. Non sono previsti mezzi di messa a terra per una macchina a doppio isolamento, né devono essere aggiunti alla macchina mezzi di messa a terra. La manutenzione di una macchina a doppio isolamento richiede estrema cura e conoscenza del sistema. La manutenzione deve essere eseguita solo da personale qualificato. Le parti di ricambio di una macchina a doppio isolamento devono essere identiche alle parti originali.

ATTENZIONE: Non utilizzare una pressione di ingresso superiore alla pressione di esercizio di qualsiasi componente (tubi, raccordi, ecc.). Assicurarsi che tutte le apparecchiature e gli accessori siano progettati per resistere alla pressione massima di esercizio dell'unità.

AVVERTENZA: non spruzzare mai liquidi infiammabili e non utilizzare mai l'idropulitrice ad alta pressione in aree contenenti polvere, liquidi o vapori combustibili.

AVVERTENZA: Non spruzzare su elettrodomestici o cavi.

AVVERTENZA: Per garantire la sicurezza della macchina, utilizzare solo ricambi originali (compresi gli ugelli) forniti o approvati dal produttore.

ATTENZIONE: Assicurarsi che l'acqua in ingresso sia mantenuta tra 0,01 MPa e 0,4 MPa.

AVVERTENZA: Se il cavo di alimentazione è danneggiato, deve essere sostituito dal produttore, da un suo rappresentante o da una persona ugualmente qualificata per evitare rischi o lesioni.

ATTENZIONE: Utilizzare solo prolunghe progettate per uso esterno che abbiano le caratteristiche uguali o superiori alle caratteristiche elettriche della macchina. Esaminare il cavo prima dell'uso e sostituirlo se è danneggiato. Tenere il cavo lontano da fonti di calore e spigoli vivi. Si raccomanda di utilizzare un divisore di cavi che tenga la spina ad almeno 60 mm da terra.

ATTENZIONE: tenere il tubo flessibile lontano da oggetti appuntiti. Un tubo danneggiato può causare lesioni. Ispezionare regolarmente il tubo flessibile e sostituirlo se è danneggiato. Non tentare di riparare un tubo danneggiato.

- Non scollegare mai il tubo di uscita ad alta pressione dalla macchina mentre il sistema è sotto pressione. Per depressurizzare la macchina, spegnere l'alimentazione elettrica e idrica, quindi premere il grilletto della pistola da 2 a 3 volte.
- Non mettere mai in funzione la macchina senza che tutti i componenti siano collegati correttamente alla macchina (impugnatura, gruppo pistola/lancia, ugello, ecc.).

Non utilizzare mai l'idropulitrice ad alta pressione in caso di parti rotte o mancanti. Controllare regolarmente e riparare o sostituire immediatamente le parti usurate o danneggiate.



AVVERTENZA: Per ridurre il rischio di elettrocuzione, mantenere tutti i collegamenti asciutti e tenere lontano dal suolo. Non toccare la spina con le mani bagnate.



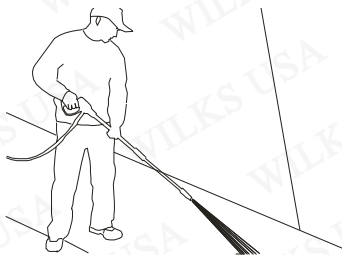
AVVERTENZA: Non utilizzare l'unità se il cavo di alimentazione o parti importanti dell'unità sono danneggiate (dispositivi di sicurezza, tubi ad alta pressione, ecc.).

Uso dell'Idropulitrice

Angolo di pulizia

Quando si spruzza acqua su una superficie, l'impatto massimo si genera quando l'acqua colpisce la superficie in modo frontale (90°). Tuttavia, questo tipo di impatto tende a spingere le particelle di sporco sulla superficie in questione, ostacolando l'azione pulente desiderata.

L'angolo ottimale per spruzzare acqua su una superficie è di 45 gradi.



Angolo di pulizia ottimale 45°

Distanza dalla superficie da pulire

Un altro fattore che determina la forza d'urto dell'acqua è la distanza tra l'ugello di spruzzatura dalla superficie da pulire.

Evitare di danneggiare le superfici

I danni alle superfici si verificano perché l'elevata pressione dell'acqua supera la resistenza della superficie. Non utilizzare mai un getto sottile ad alto impatto o un ugello turbo/rotante su una superficie potenzialmente danneggiabile.

Il modo più sicuro per evitare di danneggiare le superfici:

1. Regolare l'ugello su un getto ampio.
2. Posizionare l'ugello a circa 100-150 cm e 45 gradi rispetto alla superficie da pulire.
3. Variare il tipo di getto, l'angolo di spruzzo e la distanza dalla superficie da pulire fino ad ottenere una efficienza ottimale senza danneggiare la superficie

Ugello Turbo

Un ugello turbo, a volte chiamato anche ugello rotante, è uno strumento molto efficace che può ridurre significativamente la durata della pulizia. L'ugello turbo combina la potenza di un getto stretto ad alto impatto e l'efficacia di un getto a 25 gradi. In questo modo il getto stretto ad alto impatto si trasforma in un getto a cono, in grado di pulire un'area più ampia.

Un ugello turbo utilizza un getto stretto ad alto impatto, quindi è adatto solo in situazioni in cui la superficie da pulire non può essere danneggiata da un getto stretto ad alto impatto. L'ugello turbo non è regolabile e non può essere utilizzato per spargere il detergente.

Detergente

L'uso di detersivi può ridurre drasticamente la durata della pulizia e aiutare a rimuovere le macchie più difficili. Alcuni detersivi sono stati studiati appositamente per l'uso delle idropultrici. L'uso di detersivi densi, come il sapone per piatti, ostruisce il sistema di spruzzatura chimica e impedisce l'erogazione del detergente. Inoltre, il contenuto di sali / acidi può causare una corrosione irreparabile dei componenti interni dell'idropultrice e della pompa.

Il potere pulente dei detersivi deriva dall'applicazione su una superficie e dal concedere ai prodotti chimici il tempo di scomporre lo sporco e la sporcizia. I detersivi funzionano al meglio se applicati a bassa pressione.

La combinazione di azione chimica e risciacquo ad alta pressione è molto efficace. Su macchie particolarmente ostinate, può essere necessario utilizzare una spazzola in combinazione con detersivi e risciacquo ad alta pressione.

Come funziona

La seguente procedura di pulizia vi permetterà di ottenere i migliori risultati nel più breve tempo possibile.

1. Preparazione della superficie

Liberare l'area di lavoro e assicurarsi che tutte le finestre e le porte siano chiuse correttamente. Assicurarsi che tutte le piante e gli alberi adiacenti all'area da pulire siano coperti da un panno protettivo.

2. Risciacquo iniziale ad alta pressione

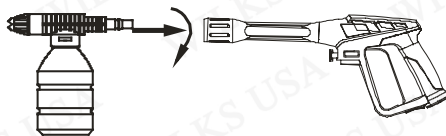
Il passo successivo è quello di spruzzare acqua sulla superficie da pulire per rimuovere lo sporco o la sporcizia che può essersi accumulata sulla superficie. In questo modo il detersivo attacca lo sporco accumulato sulla superficie da pulire. Prima di azionare la pistola, impostare l'ugello su un getto ampio e regolare gradualmente il getto desiderato. In questo modo si eviterà di esercitare una pressione eccessiva sulla superficie, che potrebbe causare danni.

3. Uso del detersivo

Utilizzare solo detersivi per idropultrici ad alta pressione. Testare il detersivo in un punto non visibile.

Consultare le istruzioni del produttore per la corretta concentrazione del detersivo nell'acqua.

1. Svitare il coperchio dell'applicatore del detersivo e riempirlo di detersivo.
2. Riposizionare il coperchio dell'applicatore del detersivo.
3. Rimuovere la lancia dalla pistola.
4. Collegare l'applicatore del detersivo alla pistola.



Collegare l'applicatore alla pistola

6. Lasciare agire il detersivo sulla superficie per qualche minuto. Nel frattempo, utilizzare una

spazzola per strofinare leggermente le aree più sporche. Non lasciare mai asciugare il detersivo sulla superficie da pulire.

7. Rimuovere l'applicatore del detersivo dalla pistola e sostituirlo con la lancia.
8. Sciacquare il detersivo dalla superficie.
9. Sciacquare l'applicatore del detersivo con acqua pulita dopo ogni utilizzo.

5. Ultimo risciacquo

Assicurarsi di risciacquare accuratamente la superficie e che tutto il detersivo sia stato rimosso.

6. Arresto

1. Assicurarsi che tutto il detersivo sia stato rimosso correttamente dal sistema.
2. Spegnerne il motore.
3. Spegnerne l'alimentazione idrica.
4. Azionare la pistola per depressurizzare il sistema.
5. Dopo ogni utilizzo, pulire tutte le superfici dell'idropulitrice ad alta pressione con un panno pulito e umido.

Manutenzione del prodotto

1. Questa idropulitrice ad alta pressione non è progettata per pompare acqua calda. 1. Non collegare mai all'alimentazione di acqua calda.
2. Non azionare mai l'unità per più di un minuto senza spruzzare acqua. Ciò provocherebbe un accumulo di calore che potrebbe danneggiare la pompa.
3. Utilizzare solo gli ugelli in dotazione con la macchina.
4. Non conservare mai l'idropulitrice all'esterno o in un luogo dove potrebbe gelare. La pompa e i componenti saranno gravemente danneggiati, così come la pistola a pressione.
5. Rilasciare il grilletto quando si modifica il getto. La mancata osservanza di questa precauzione può provocare danni.
6. Non utilizzare l'idropulitrice ad alta pressione senza la protezione dell'ingresso dell'acqua. Assicurarsi di mantenere la protezione priva di detriti e residui.
7. Assicurarsi di pulire la macchina ogni tre mesi e ispezionare il filtro e l'ugello prima di ogni utilizzo, assicurandosi che nessun detrito possa interferire con l'utilizzo.

Risoluzione dei problemi

Sintomi	Possibili Cause	Misure Correttive
Assenza di aspirazione del detergente	1. L'applicatore del detergente è ostruito	1. Pulire l'applicatore con acqua calda 2. Riposizionare l'applicatore
Il dispositivo emette fumo	1. Motore surriscaldato, in sovraccarico o danneggiato	1. Spegnerne l'unità e contattare il rivenditore
L'idropulitrice non si avvia	1. L'unità è pressurizzata 2. La spina non è collegata correttamente o l'alimentazione elettrica è danneggiata / difettosa. 3. È scattato l'interruttore di sicurezza termica	1. Pulire l'ingresso dell'acqua 2. Controllare che i raccordi e l'anello di bloccaggio siano serrati correttamente. 3. Spegnerne l'unità e lasciare raffreddare
La pompa non raggiunge la pressione necessaria	1. L'ingresso dell'acqua è ostruito 2. La pompa aspira l'aria dai raccordi dei tubi flessibili 3. L'ugello è usurato o di dimensioni non corrette 4. Lo scarico / le valvole sono ostruiti / usurati	1. Pulire l'ingresso dell'acqua 2. Controllare che i raccordi e l'anello di bloccaggio siano serrati correttamente. 3. Contattare il rivenditore 4. Contattare il rivenditore
Fluttuazioni di pressione	1. La pompa sta risucchiando l'aria 2. L'ugello è usurato 3. Valvole sporche, usurate o intasate 4. Guarnizioni dell'acqua usurate	1. Controllare che i raccordi e l'anello di bloccaggio siano serrati correttamente. 2. Pulire con il pulitore per ugelli 3. Contattare il rivenditore 4. Contattare il rivenditore
Il motore si ferma improvvisamente	1. L'interruttore termico di sicurezza è scattato a causa del surriscaldamento	1. Controllare che la tensione di alimentazione di rete corrisponda alle specifiche

Dati Tecnici

Articolo	RX510
Pressione di esercizio	9 MPa (90 BAR)
Pressione ammissibile	13.5 MPa (135 BAR)
Portata di esercizio	6.0 Litri / min
Limite massimo portata	7.5 Litri / min
Portata massima di ingresso acqua	0.4 MPa (4 BAR)
Capacità motore	1800 Watt
Tensione di alimentazione	240V ~ 50HZ
Temperatura massima dell'acqua	50°C

Disposizioni per lo smaltimento

Significato del simbolo “bidone della spazzatura su ruote” barrato:



Non smaltire le apparecchiature elettriche insieme ai rifiuti domestici, utilizzare reti di raccolta differenziata. Contattare le autorità locali per informazioni sui sistemi di raccolta disponibili. Se le apparecchiature elettriche vengono gettate in discariche o depositi, delle sostanze pericolose possono infiltrarsi nelle acque sotterranee ed entrare nella catena alimentare, compromettendo la vostra salute e il vostro benessere. Per motivi di sicurezza di trasporto, la macchina deve essere conforme alla normativa ISTA.

Dichiarazione di Conformità CE

Con la presente dichiarazione attestiamo che la macchina di seguito descritta è conforme ai requisiti fondamentali di sicurezza e salute previsti dalle direttive UE, sia nella sua progettazione e costruzione di base che nella versione da noi messa in circolazione. Questa dichiarazione cessa di essere valida se la macchina viene modificata senza la nostra previa autorizzazione.

Il sottoscritto: Michael S McQuaide

Autorizzato da: Union Mart Ltd

Dichiara che

Descrizione: Idropulitrice a Pressione Elettrica

Codice di Identificazione: Wilks-USA RX510

È conforme alle seguenti direttive e norme:

- Direttiva Macchine 2006/42/CE
- Direttiva Emissione di Rumore 2000/14/CE
- Direttiva CEM 2004/108/CE
- Direttiva ROHS 2011/65/UE&(UE)2015/863

--

- EN 60335-1 :2012+A11
- EN 60335-2-79 :2012
- EN 62233 :2008
- AfPS GS 2014 :01

Livello di potenza sonora dB(A)

Misurato: 79dB

Organismo notificato: TÜV Rheinland LGA Products GmbH

La documentazione tecnica è conservata presso: Union Mart Ltd

Data: 24/08/17

Firmato:



Michael S McQuaide

Amministratore Delegato

Nome e indirizzo del fabbricante:

Union Mart Ltd, società n. 8384155. Indirizzo registrato: Unità 4 Mauretania Road, Nursling Industrial Estate, Southampton, SO16 0YS, Regno Unito.

Hidrolimpiadora eléctrica Nettoyeur Haute Pression Électrique

ESPAÑOL

RX510



Leer este manual detenidamente antes de usarlo y guardarlo para futuras referencias. De lo contrario, pueden producirse lesiones, daños materiales y anular la garantía. Los productos cubiertos por este manual pueden variar en apariencia, ensamblaje, inclusiones, especificaciones, descripción o empaque.

Lisez attentivement ce manuel avant la première utilisation et conservez-le à titre de référence pour la suite. Faute de suivre ces instructions peut entraîner des blessures, des dommages matériels et peut annuler la garantie. Les produits décrits dans ce manuel peuvent varier en apparence, en assemblage, en inclusions, en spécifications, en description ou en emballage.

Contenidos

46 - Contenidos

47 - Guía de inicio rápido

49 - Símbolos e información de seguridad

51 - Uso de su hidrolimpiadora

 Ángulo de la superficie de limpieza
 Distancia de la superficie de limpieza
 Evitar dañar las superficies

 Boquilla turbo

 Detergente

52 – Funcionamiento

 Cuidado de su producto

53 - Solución de problemas y datos técnicos

54 - Normas de eliminación de desechos

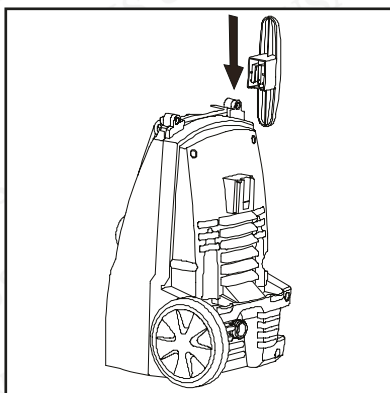
55 - Certificación CE

Guía de inicio rápido

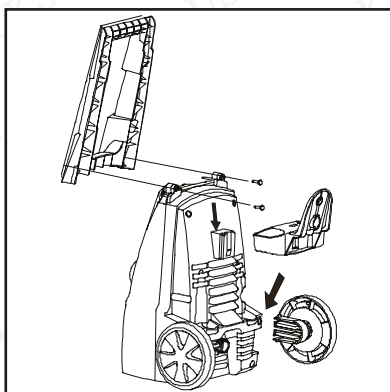


Los siguientes pasos describen el método más rápido para poner en funcionamiento su hidrolimpiadora. Sin embargo, es esencial leer completamente este manual para estar familiarizado con las características generales de seguridad, precauciones y funciones necesarias para usar el producto. De lo contrario, podría sufrir lesiones y daños a su limpiadora o artículos personales.

ENSAMBLE

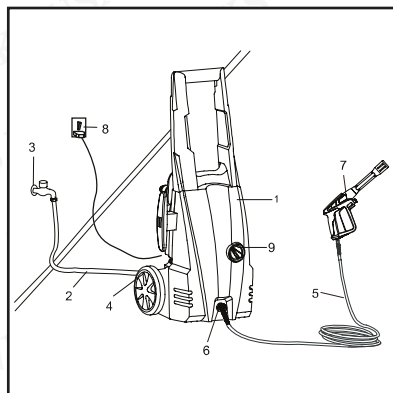


Insertar el gancho enrollador de cable en la máquina



1. Ajustar el asa alineando los orificios de los tornillos en la base del asa con la parte superior de la unidad de la limpiadora. Ajustar los dos tornillos.
2. Ajustar las ruedas deslizando el accesorio en los receptáculos en el costado de la limpiadora hasta que queden completamente asegurados.
3. Deslizar el enrollador de manguera a la parte posterior de la unidad.

CONEXIÓN



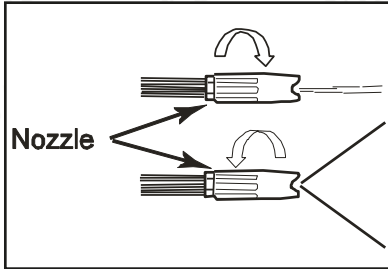
- | | |
|-----------------------|----------------------|
| 1. Hidrolimpiadora | presión |
| 2. Manguera para agua | 6. Salida de agua |
| 3. Conexión de agua | 7. Pistola rociadora |
| 4. Entrada de agua | 8. Toma de corriente |
| 5. Manguera de alta | 9. Dial ON/OFF |

* No. 2, 3, 8 no están incluidos

1. Conectar la manguera de alta presión a la salida de agua a presión de la máquina.
2. Conectar la pistola rociadora a la manguera de alta presión. Antes de operar la máquina asegurarse de que la manguera de alta presión se haya desenrollado por completo y no permita que retroceda durante el uso.
3. Montar la lanza en la pistola rociadora y agregar la boquilla deseada.
4. Conectar la máquina a la manguera de suministro de agua y a la fuente de energía.
5. Encender el suministro de agua.
6. Encender la hidrolimpiadora después de que haya ingresado agua a la unidad.

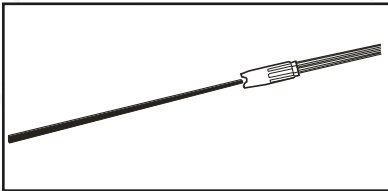
Antes de usar

El ángulo de pulverización que sale de la boquilla direccionable se puede ajustar girando la boquilla. Esto variará el patrón de rociado desde un impacto fuerte y estrecho de 0°, hasta un rociado de 60° de ancho.



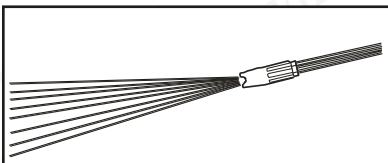
Ajustar del patrón de rociado

Con un patrón de rociado estrecho se obtiene una gran fuerza de impacto y esto da como resultado una máxima limpieza profunda en un área concentrada. Sin embargo, este chorro de agua estrecho y de alto impacto debe usarse con precaución, ya que puede dañar algunas superficies



Chorro estrecho de agua de alto impacto

Un patrón de rociado amplio distribuirá el impacto del agua sobre un área más grande, lo que dará como resultado una limpieza profunda con un riesgo reducido de daños en la superficie. Las superficies de mayor tamaño se pueden limpiar más rápidamente con un patrón de rociado amplio.

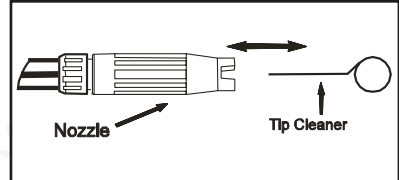


Patrón de rociado de ángulo amplio

Mantenimiento de boquilla

Una boquilla obstruida o parcialmente obstruida puede significativamente reducir el flujo de agua y hacer que la unidad vibre mientras rocía. Para limpiar la boquilla:

1. Apagar y desconectar la unidad de la red eléctrica.
2. Cerrar el suministro de agua y disminuir la presión atrapada en la manguera apretando el gatillo de la pistola 2-3 veces.
3. Separar la lanza de la pistola.
4. Girar la boquilla a la configuración de flujo estrecho de alto impacto. Esto abre las aspas del ventilador.
5. Usando el limpiador de puntas incluido, o un clip de papel desplegado, insertar el cable en el orificio de la boquilla y moverlo hacia adelante y hacia atrás hasta que se elimine cualquier residuo.
6. Eliminar los desechos adicionales haciendo retroceder el agua a través de la boquilla. Para hacer esto, colocar el extremo de una manguera (con agua corriente) en el extremo de la boquilla durante 30-60 segundos.



Insertar el limpiador de puntas en el orificio de la boquilla y muévelo hacia adelante y hacia atrás hasta que se eliminen los desechos

Después de usar

No guarde la hidrolimpiadora al aire libre o en un lugar donde pueda congelarse. El agua que quede en la máquina, pistola o cualquier otro componente se expandirá si se congela, causando daños.

Apagar el motor siempre antes de cerrar el suministro de agua.

Nunca desconectar la manguera de la máquina mientras el sistema está presurizado. Para despresurizar, apagar el motor, luego cerrar el suministro de agua y apretar el gatillo de la pistola 2-3 veces.

Símbolos de seguridad



PRECAUCION: Indica una situación de riesgo inminente que, de no evitarse, podría causar lesiones moderadas o leves.



ADVERTENCIA: Indica una situación potencialmente peligrosa que, de no evitarse, podría provocar la muerte o lesiones graves.



Riesgo de electrocución

Información de seguridad y advertencia



ADVERTENCIA: Se deben tener en cuenta las siguientes precauciones siempre que se utilice la máquina:

- Para reducir el riesgo de lesiones se debe supervisar el uso de la máquina con mucha atención si se usa cerca de niños.
- Seguir todos los códigos de seguridad, así como la Ley de Seguridad y Salud Ocupacional (OSHA).
- Asegurarse de que los dispositivos de seguridad funcionen correctamente antes de usar la máquina. No se debe retirar o modificar ninguna parte de la pistola o de la unidad principal de la máquina.
- Estar alerta en todo momento cuando al usar la máquina y siempre se debe sostener firmemente la pistola al usarla.
- No usar la máquina si se está cansado, o si sufre de alguna discapacidad física, sensorial o mental, o bajo la influencia del alcohol o drogas.
- Mantener el área de funcionamiento libre de todo equipo eléctrico, personas, animales y mascotas. No se debe dejar la máquina desatendida mientras se configura para su uso. Siempre enganchar el pestillo de seguridad del gatillo después de su uso.
- No apuntar la pistola de presión a nadie mientras la unidad esté conectada a un suministro de agua.
- No se extralimite ni se pare sobre un soporte inestable. Mantener la postura y el equilibrio en todo momento.
- Usar un agente de limpieza suministrado o recomendado por el fabricante. Proteger en todo momento los ojos, la piel y el sistema respiratorio del uso de detergentes.
- Si los ojos (o cualquier otra parte sensible del cuerpo) entra en contacto con el detergente, enjuagar con abundante agua limpia.
- En caso de accidente, apagar la máquina, desconectar el enchufe de la toma de corriente y desconectar el suministro de agua.
- Usar siempre gafas de seguridad, protección para los oídos y ropa protectora, incluso cuando realice tareas de mantenimiento.
- Nunca poner las manos o los dedos sobre la punta del rociador mientras la unidad está en funcionamiento.
- Nunca intentar detener o desviar las fugas con ninguna parte del cuerpo.



ADVERTENCIA: La conexión del suministro eléctrico debe ser realizada por una persona cualificada y cumplir con IEC 60364-1. El suministro eléctrico a esta máquina debe incluir un disyuntor o un dispositivo de corriente residual que interrumpa el suministro si la corriente a tierra excede los 30 mA durante 30 ms



ADVERTENCIA: Esta es una máquina con doble aislamiento, por lo que se proporcionan dos sistemas de aislamiento en lugar de conexión a tierra. No se proporcionan medios de conexión a tierra para una máquina con doble aislamiento, ni se deben agregar medios de conexión a tierra a la máquina. El mantenimiento de una máquina con doble aislamiento requiere extremo cuidado y conocimiento del sistema. Solo debe hacerlo personal de servicio calificado. Las piezas de repuesto para una máquina con doble aislamiento deben ser idénticas a las piezas originales.

ADVERTENCIA: No utilice una presión de entrada que exceda la presión de funcionamiento de ninguna de las piezas (mangueras, accesorios, etc.). Asegurarse de que todos los equipos y accesorios estén clasificados para soportar la presión máxima de trabajo de la unidad.

ADVERTENCIA: Nunca se debe rociar líquidos inflamables ni usar la hidrolimpiadora en áreas que contengan polvo, líquidos o vapores combustibles.

ADVERTENCIA: No rociar aparatos eléctricos y cableado.

ADVERTENCIA: Para garantizar la seguridad de la máquina, utilizar únicamente piezas de repuesto originales (incluidas las boquillas) del fabricante o aprobadas por el fabricante.

ADVERTENCIA: Asegurarse de que el agua que entra se mantenga entre 0,01MPa y 0,4MPa.

ADVERTENCIA: Si el cable de alimentación está dañado, debe ser reemplazado por el fabricante, su agente de mantenimiento o una persona cualificada de manera similar para evitar riesgos o lesiones.

ADVERTENCIA: Utilizar únicamente cables de extensión destinados al uso en exteriores y que tengan una clasificación eléctrica igual o superior a la clasificación de la máquina. Examinar el cable antes de usar y reemplazarlo si está dañado. Mantener el cable alejado del calor y de los bordes afilados. Se recomienda usar un carrete de cable que mantenga el enchufe al menos a 60 mm del suelo.

PRECAUCIÓN: Mantener la manguera alejada de objetos afilados. Una manguera al estallar puede causar lesiones. Examinar la manguera regularmente y reemplazar si está dañada. No se debe intentar reparar una manguera dañada.

- No se debe desconectar la manguera de descarga de alta presión de la máquina mientras el sistema todavía está presurizado. Para despresurizar la máquina, desconectar la corriente y el suministro de agua, luego presionar el gatillo de la pistola 2-3 veces.
- Nunca se debe operar la máquina sin todos los componentes correctamente conectados (asa, pistola / lanza, boquilla, etc.).
- Nunca se debe poner en funcionamiento la limpiadora si le faltan piezas o alguna está rota. Revisar el equipo regularmente y reparar o reemplazar las piezas desgastadas o dañadas de inmediato.



ADVERTENCIA: Para reducir el riesgo de electrocución, mantener todas las conexiones secas y alejadas del suelo. No tocar el enchufe con las manos mojadas.



ADVERTENCIA: No usar la máquina si el cable o cualquiera de sus partes importantes están dañadas (por ejemplo, dispositivos de seguridad, mangueras de alta presión, etc.).

Uso de la limpiadora

Ángulo con la superficie a limpiar

Al rociar agua contra una superficie, el mayor impacto se genera cuando el agua golpea la superficie de frente. Sin embargo, este tipo de impacto tiende a hacer que las partículas de suciedad se incrusten en la superficie, evitando así la acción de limpieza deseada.

El ángulo óptimo para rociar agua contra una superficie es de 45 grados.



Ángulo óptimo para limpiar de 45°

Distancia desde la superficie de limpieza

Otro factor que determina la fuerza de impacto del agua es la distancia entre la boquilla y la superficie por limpiar.

Evitar dañar las superficies

El daño a las superficies ocurre porque la fuerza de impacto del agua excede la durabilidad de la superficie. Nunca se debe usar un chorro fino de agua de alto impacto o una boquilla turbo/rotativa en una superficie que es susceptible al daño. La forma más segura de evitar causar daño en las superficies:

1. Ajustar la boquilla a un patrón de rociado amplio.
2. Colocar la boquilla aproximadamente a 4-5 pies y 45 grados de la superficie de limpieza.
3. Variar el patrón de rociado, el ángulo y la distancia con respecto a la superficie que se va a limpiar hasta lograr una eficiencia de limpieza óptima sin dañar la superficie.

Boquilla Turbo

La boquilla turbo, a veces denominada boquilla rotativa, es una herramienta muy efectiva que puede reducir significativamente el tiempo de limpieza. La boquilla turbo combina la potencia de un chorro de agua muy fino y de alto impacto con la eficiencia de un patrón de rociado de 25 grados. Esta boquilla hace

girar el chorro concentrado de alto impacto en forma de cono para limpiar un área más grande.

La boquilla turbo produce un chorro concentrado de alto impacto, así que solo se debe usar para limpiar superficies que no se puedan dañar con este tipo de chorro de agua. La boquilla turbo no es ajustable y no se puede usar para aplicar detergente.

Detergente

El uso de detergentes puede reducir drásticamente el tiempo de limpieza y ayudar a eliminar las manchas difíciles. Algunos detergentes han sido diseñados específicamente para usar con hidrolimpiadoras. El uso de detergentes espesos como el jabón para lavar platos obstruirá el sistema de inyección química y evitará la aplicación del detergente. Además, el contenido de sal / ácido puede causar corrosión irreparable a los componentes internos de la hidrolimpiadora y a la bomba.

El poder de limpieza de los detergentes radica en darle tiempo a los químicos para puedan descomponer la suciedad a la hora de aplicarlos a una superficie. Los detergentes funcionan mejor cuando se aplican a baja presión.

La combinación de acción química y un enjuague a alta presión resulta muy efectiva. En el caso de manchas particularmente difíciles, puede ser necesario usar un cepillo en combinación con detergentes y enjuagues a alta presión.

Funcionamiento

El siguiente procedimiento de limpieza hará posible obtener los mejores resultados en el menor tiempo posible.

1. Preparación de superficies

Despejar el área de trabajo y asegurarse de que todas las ventanas y puertas estén bien cerradas. Asegurarse de que todas las plantas y árboles adyacentes al área de limpieza estén protegidos por una tela protectora.

2. Enjuague inicial a alta presión

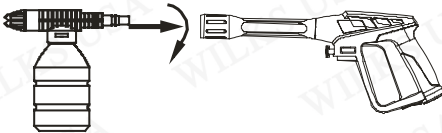
El siguiente paso es rociar la superficie que se va a limpiar con agua, para eliminar cualquier suciedad o mugre que pueda haberse acumulado en la superficie. Esto permitirá al detergente atacar la suciedad que ha penetrado en la superficie que se desea limpiar. Antes de disparar la pistola, ajustar la boquilla a un patrón de rociado amplio. Ajustar lentamente al patrón de rociado deseado. Esto evitará aplicar demasiada presión a la superficie, ya que de lo contrario podría causar daños.

3. Aplicación de detergente

Utilizar únicamente detergentes formulados para hidrolimpiadoras. Probar el detergente en un área discreta antes de usar.

Seguir las instrucciones de la etiqueta del fabricante para mezclar las concentraciones correctas de detergente con agua.

1. Desenroscar la parte superior del aplicador de detergente y llenar con detergente.
2. Volver a colocar la parte superior del aplicador de detergente.
3. Retirar la lanza de la pistola.
4. Conectar el aplicador de detergente a la pistola



Conectar el aplicador a la pistola

5. Aplicar el detergente para que cubra completamente la superficie a limpiar. Aplicar de abajo hacia arriba para evitar que el detergente se deslice hacia abajo y deje rayas.
6. Dejar el detergente en la superficie durante unos minutos. Este es un buen momento para usar un cepillo y fregar ligeramente áreas muy sucias. Nunca se debe dejar secar el detergente en la superficie que se está limpiando.
7. Retirar el aplicador de detergente de la pistola y reemplazar con la lanza.
8. Enjuagar el detergente de la superficie.
9. Enjuagar el aplicador de detergente con agua limpia después de cada uso.

5. Enjuague final

Asegurarse de enjuagar bien la superficie y de que se haya eliminado todo el detergente.

6. Apagar

1. Asegurarse de eliminar todo el detergente del sistema.
2. Apagar el motor.
3. Cerrar el suministro de agua.
4. Presionar el gatillo de la pistola para despresurizar el sistema.
5. Después de cada uso, limpiar todas las superficies de la hidrolimpiadora con un paño limpio y húmedo.

El cuidado de su producto

1. Esta hidrolimpiadora no está diseñada para bombear agua caliente. No se debe conectar nunca a un suministro de agua caliente.
2. Nunca se debe operar la unidad por más de un minuto sin rociar agua. Esto provocará una acumulación de calor que puede dañar la bomba.
3. Utilizar únicamente las boquillas suministradas con la máquina.
4. No se debe guardar nunca la hidrolimpiadora al aire libre o donde pueda congelarse. La bomba se dañará seriamente. Cualquier componente en el que quede agua adentro también se dañará, por ejemplo, la pistola de presión.
5. Soltar el gatillo al cambiar el patrón de rociado. De lo contrario, podría provocar daños.
6. No utilizar la hidrolimpiadora sin la pantalla colocada. Asegurarse de mantener la pantalla libre de escombros y sedimentos.
7. Asegurarse de limpiar la máquina cada tres meses e inspeccionar el filtro y la boquilla antes de cada uso, asegurándose de que no haya residuos que puedan perjudicar el uso

Solución de problemas

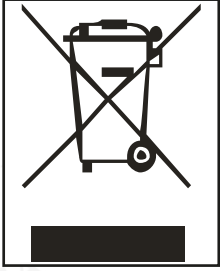
Síntoma	Posible(s) causa(s)	Medidas correctivas
Sin succión de detergente	1. El aplicador de detergente está obstruido	1. Limpiar el aplicador con agua tibia 2. Reemplazar el aplicador
Sale humo de la unidad	1. Motor sobrecalentado, sobrecargado o dañado	1. Apagar la unidad y llamar al distribuidor
La hidrolimpiadora no arranca	1. La unidad está presurizada 2. El enchufe no está conectado correctamente o el suministro eléctrico está dañado / defectuoso 3. El interruptor de seguridad térmica se ha disparado	1. Entrada de agua limpia 2. Comprobar que las conexiones y el anillo de bloqueo estén bien apretados 3. Apagar la unidad y dejar que se enfríe
La bomba no alcanza la presión necesaria	1. La entrada de agua está obstruida 2. La bomba succiona el aire de las conexiones de manguera 3. La boquilla está desgastada o no tiene el tamaño correcto 4. El descargador / las válvulas están obstruidas / desgastadas	1. Limpiar filtro de la entrada de agua 2. Comprobar que las conexiones y el anillo de bloqueo estén bien apretados 3. Llamar al distribuidor 4. Llamar al distribuidor
Presión fluctuante	1. La bomba está aspirando aire 2. Boquilla obstruida 3. Válvulas sucias, desgastadas u obstruidas 4. Junta de goma gastada	1. Verificar que las mangueras y las conexiones estén apretadas 2. Limpiar con limpiador de puntas 3. Llamar al distribuidor 4. Llamar al distribuidor
El motor se detiene repentinamente	1. El interruptor de seguridad térmica se ha disparado debido al sobrecalentamiento	1. Comprobar que el voltaje de la corriente corresponde a las especificaciones

Especificaciones técnicas

Artículo	RX510
Presión de trabajo	9 MPa (90 BAR)
Presión admisible	13,5 MPa (135 BAR)
Flujo en funcionamiento	6,0 litros / min
Flujo máximo	7,5 litros / min
Presión de entrada de agua	0,4 MPa (4 BAR)
Capacidad del motor	1800 vatios
Tensión de alimentación	240V-50Hz
Temperatura máxima del agua	50°C

Normativas de Residuos

Significado del cubo de basura con ruedas cruzado:



No elimine los artefactos eléctricos como residuos municipales sin clasificar, use instalaciones de recolección separadas.

Póngase en contacto con el gobierno local para obtener información sobre los sistemas de recolección disponibles.

Si los artefactos eléctricos se desechan en vertederos, se pueden derramar sustancias peligrosas en las aguas subterráneas y trasladarse a la cadena alimenticia, provocando un daño a su salud y bienestar.

Para la seguridad del transporte, la máquina debe cumplir con ISTA.

Certificación CE

Por la presente declaramos que la máquina que se describe a continuación cumple con los requisitos básicos de seguridad y salud de las Directivas de la UE, tanto en su diseño y construcción básicos como en la versión puesta en circulación por nosotros. Esta declaración dejará de ser válida si la máquina se modifica sin nuestra aprobación previa.

El abajo firmante: Michael S McQuaide

Según lo autorizado por: Union Mart Ltd Declara que

Descripción: Hidrolimpiadora

Código de identificación: Wilks-USA RX510

Cumple con las siguientes directivas y estándares:

- Directiva de máquinas 2006/42/CE
- Directiva 2000/14/CE de Emisiones sonoras
- Directiva CEM 2004/108 /CE
- 2011/65 / UE y (UE) 2015/863 Directiva ROHS

--

- EN 60335-1: 2012 + A11
- EN 60335-2-79: 2012
- EN 62233: 2008
- AfPS GS 2014: 01

Nivel de potencia de sonido (dB) A

Medido: 79dB

Organismo notificado: TUV Rheinland LGA Products GmbH

La documentación técnica es mantenida por: Union Mart Ltd Fecha: 24/08/17

Firmado:



Michael S McQuaide Director Gerente

Nombre y dirección del fabricante:

Union Mart Ltd, Company No. 8384155. Registered address: Unit 4, Mauretania Road, Nursling Industrial Estate, Southampton SO16 0YS, United Kingdom