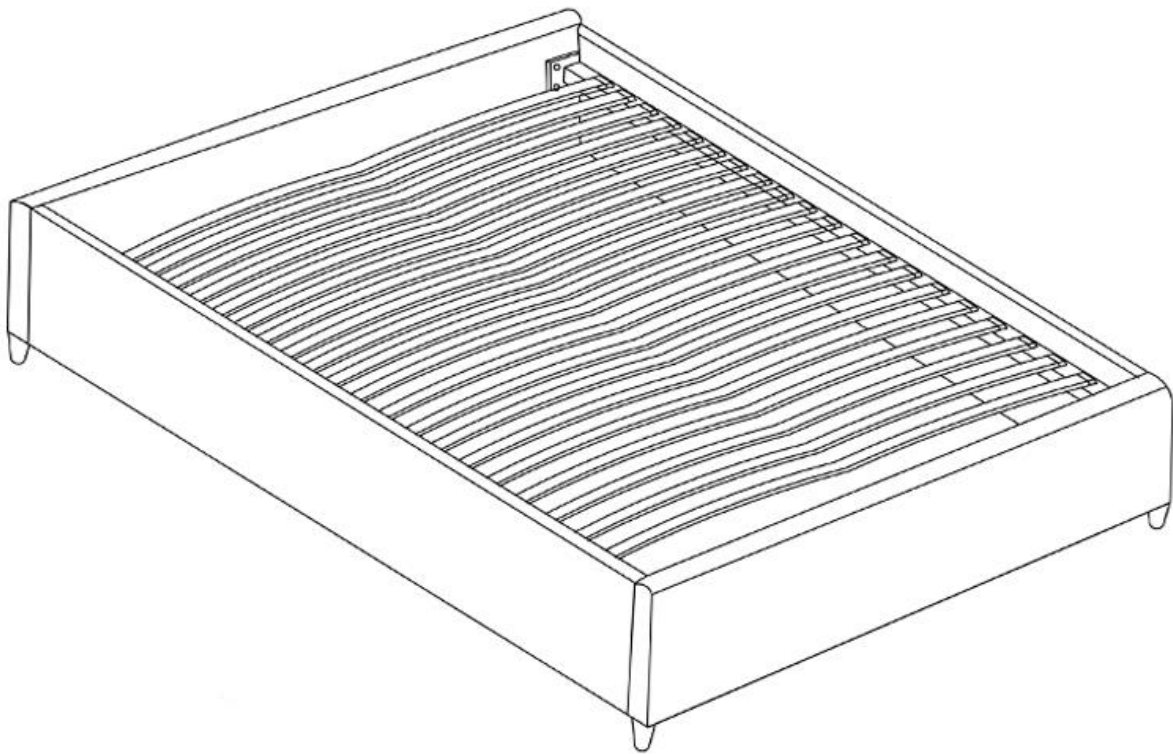






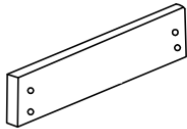

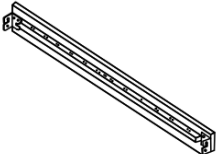



# Sommier Tapissier

1343\_97478



# 1343\_97478

|   |   |         |        |     |
|---|---|---------|--------|-----|
| A |    | M8X30mm | X8 PCS | 1/2 |
| B |    | M8      | X8 PCS | 1/2 |
| C |   | M6      | X8 PCS | 1/2 |
| D |  | M5      | X1 PCS | 1/2 |

|     |   |                |          |     |
|-----|---|----------------|----------|-----|
| (1) |    | 1000x180x60 mm | X1 PC    | 1/2 |
| (2) |    | 1000x180x60 mm | X1 PC    | 2/2 |
| (3) |    | 1920x180x45 mm | X 2 PC   | 1/2 |
| (4) |   | 915x53x9 mm    | X 20 PCS | 2/2 |
| (5) |  | 60*30*10 mm    | X40 PCS  | 2/2 |
| (6) |  | 55*55*100 mm   | X4 PC    | 1/2 |

FR : SAV/INFORMATION /VIDEO/CONTACT

EN: AFTER-SALES SERVICE/INFORMATION/VIDEO/CONTACT

DE : REPARATUR-SERVICE UND ERSATZTEILE /INFORMATIONEN /VIDEO/KONTAKT

ES: SERVICIO POST-VENTA/INFORMACIÓN/VIDEO/CONTACTO

IT: SERVIZIO ASSISTENZA/INFORMAZIONI/VIDEO/CONTATTO

PT: SERVIÇO PÓS-VENDA/INFORMAÇÕES/VIDEO/CONTATO

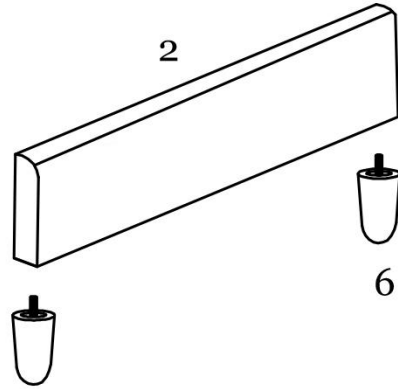
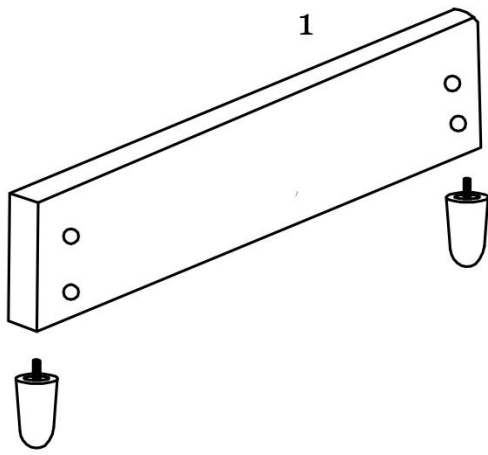
PL: SERWIS TECHNICZNY/INFORMACJE/WIDEO/KONTAKT

NE: AFTER SALES SERVICE/INFORMATIE/VIDEO/CONTACT

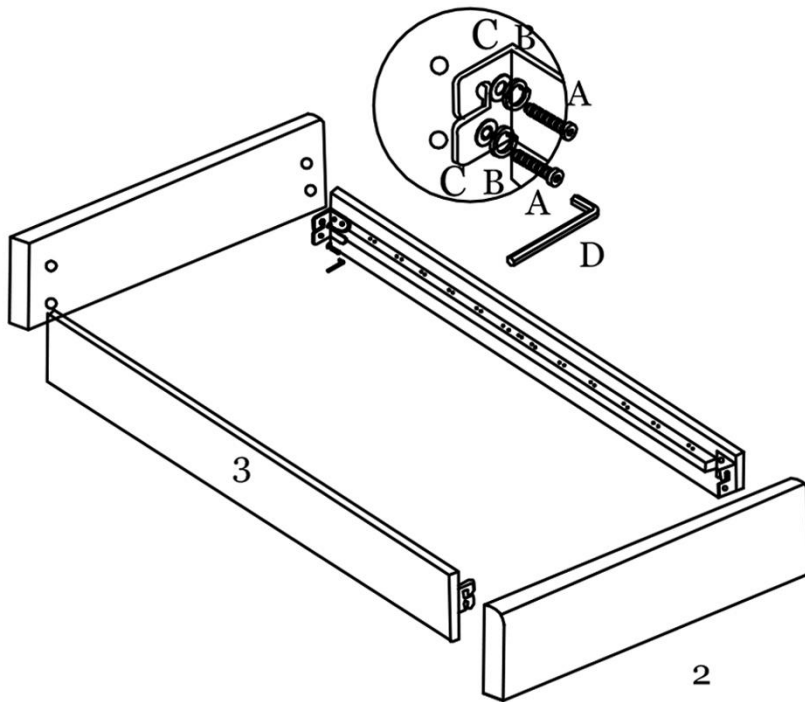
HE: יאָצווערדינסטעלונגסדינסט /אָנליינעדינסטעלונג

**SAV.HABITATETJARDIN.COM**

①



②



③

