



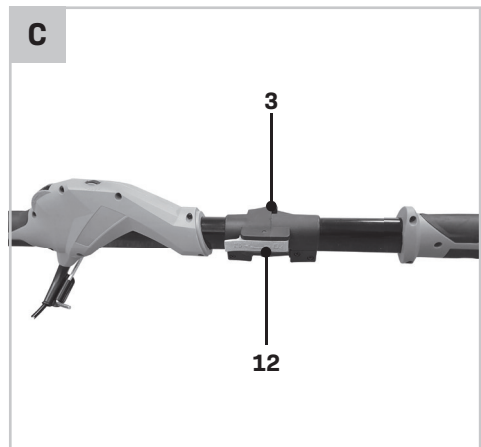
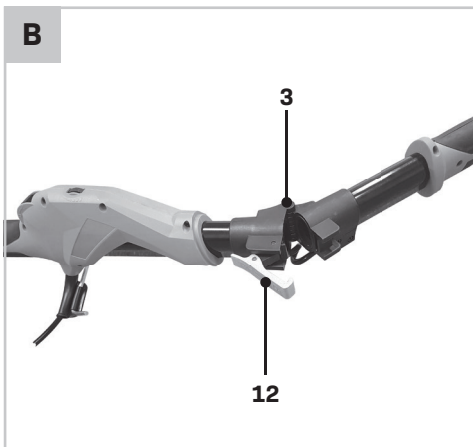
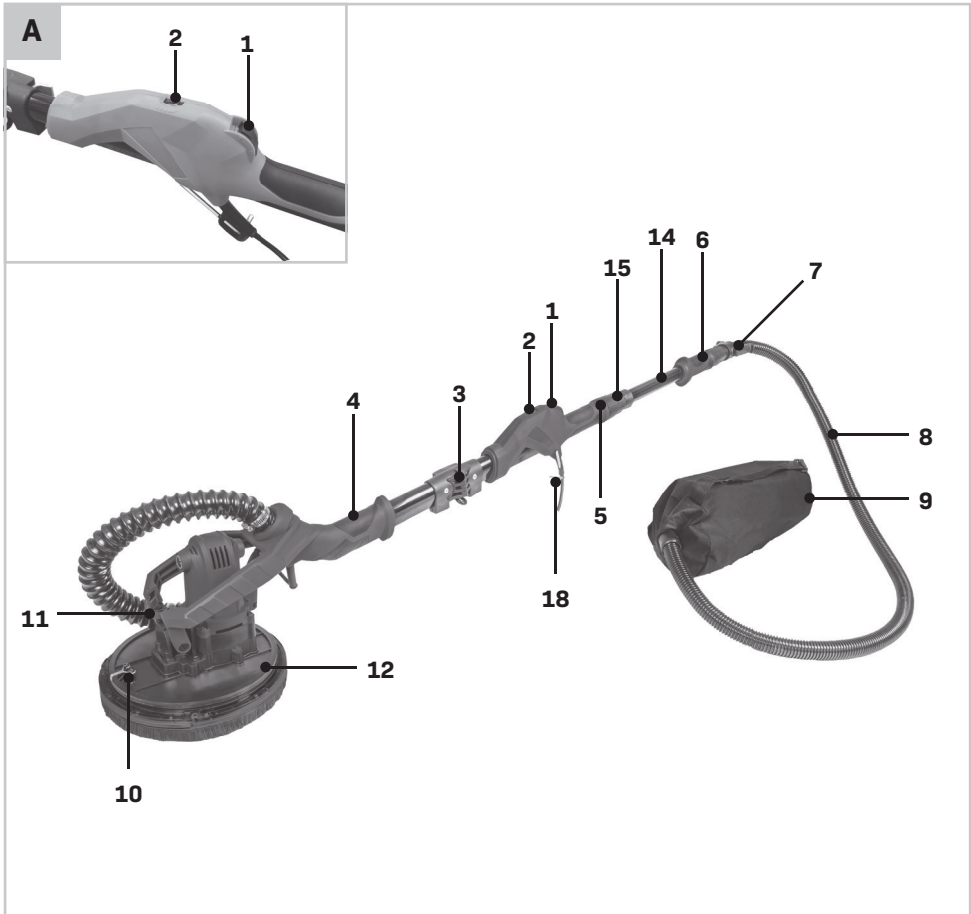
VONROC®

BUILD YOUR FUTURE

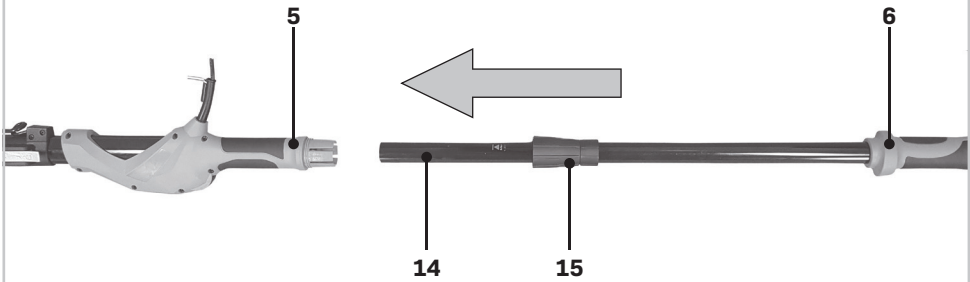
TELESCOPIC DRYWALL SANDER DS502AC



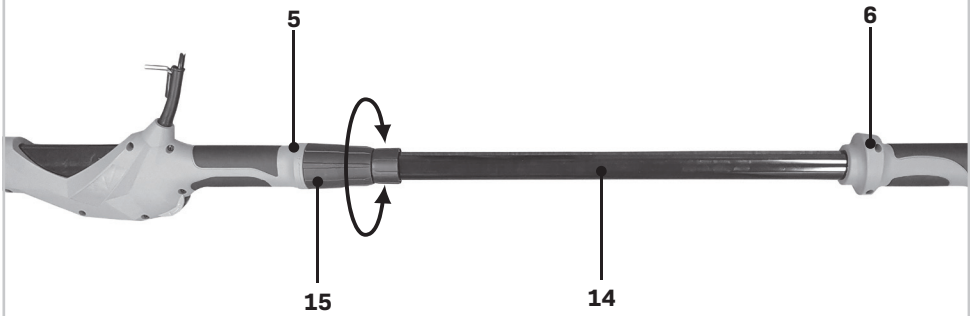
EN	Original Instructions	05
DE	Übersetzung Der Originalbetriebsanleitung	10
NL	Vertaling van de oorspronkelijke gebruiksaanwijzing	16
FR	Traduction de la notice originale	22
ES	Traducción del manual original	28
IT	Traduzione delle istruzioni originali	34
SV	Översättning av bruksanvisning i original	40
DA	Oversættelse af den originale brugsanvisning	45
PL	Tłumaczenie instrukcji oryginalnej	50
RO	Traducere a instrucțiunilor originale	56



C-1



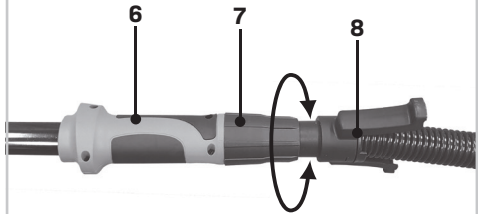
C-2

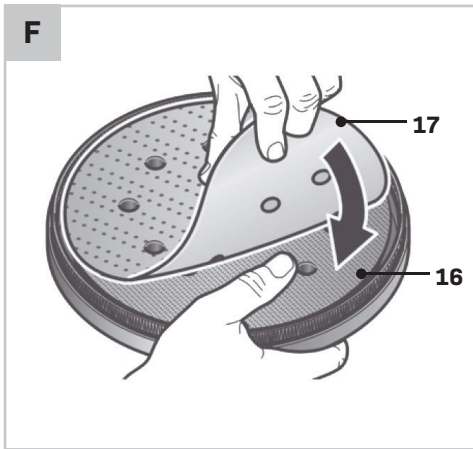
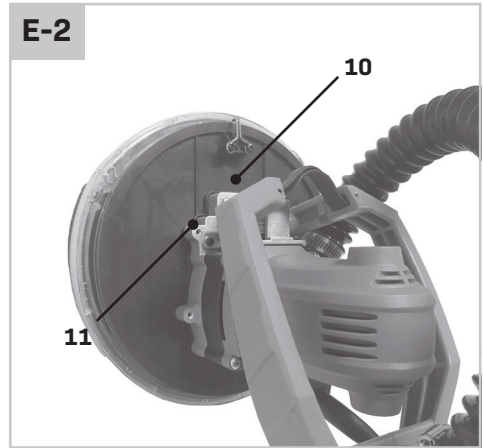
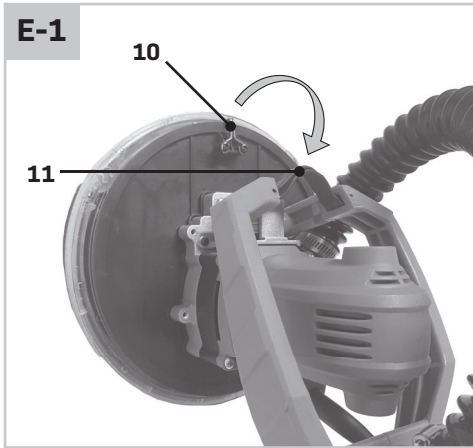


D-1



D-2





1. SAFETY INSTRUCTIONS

Read the enclosed safety warnings, the additional safety warnings and the instructions. Failure to follow the safety warnings and the instructions may result in electric shock, fire and/or serious injury. Save the safety warnings and the instructions for future reference.

The following symbols are used in the user manual or on the product:



Read the user manual.



Denotes risk of personal injury, loss of life or damage to the tool in case of non-observance of the instructions in this manual.



Risk of electric shock.



Variable electronic speed.



Wear safety goggles.
Wear hearing protection.



Wear a dust mask.



Class II machine - Double insulation -
You don't need any earthed plug.



The product is in accordance with the applicable safety standards in the European directives.

GENERAL POWER TOOL SAFETY WARNINGS



WARNING! Read all safety warnings and all instructions. Failure to follow the warnings and instructions may result in electric shock, fire and/or serious injury.

Save all warnings and instructions for future reference.

The term "power tool" in the warnings refers to your mains-operated (corded) power tool or battery-operated (cordless) power tool.

1) Work area safety

- Keep work area clean and well lit.** Cluttered or dark areas invite accidents.
- Do not operate power tools in explosive atmospheres, such as in the presence of flammable**

liquids, gases or dust. Power tools create sparks which may ignite the dust or fumes.

- Keep children and bystanders away while operating a power tool.** Distractions can cause you to lose control.

2) Electrical safety

- Power tool plugs must match the outlet.** Never modify the plug in any way. Do not use any adapter plugs with earthed (grounded) power tools. Unmodified plugs and matching outlets will reduce risk of electric shock.
- Avoid body contact with earthed or grounded surfaces, such as pipes, radiators, ranges and refrigerators.** There is an increased risk of electric shock if your body is earthed or grounded.
- Do not expose power tools to rain or wet conditions.** Water entering a power tool will increase the risk of electric shock.
- Do not abuse the cord.** Never use the cord for carrying, pulling or unplugging the power tool. Keep cord away from heat, oil, sharp edges or moving parts. Damaged or entangled cords increase the risk of electric shock.
- When operating a power tool outdoors, use an extension cord suitable for outdoor use.** Use of a cord suitable for outdoor use reduces the risk of electric shock.
- If operating a power tool in a damp location is unavoidable, use a residual current device (RCD) protected supply.** Use of an RCD reduces the risk of electric shock.

3) Personal safety

- Stay alert, watch what you are doing and use common sense when operating a power tool.** Do not use a power tool while you are tired or under the influence of drugs, alcohol or medication. A moment of inattention while operating power tools may result in serious personal injury.
- Use personal protective equipment.** Always wear eye protection. Protective equipment such as dust mask, non-skid safety shoes, hard hat, or hearing protection used for appropriate conditions will reduce personal injuries.
- Prevent unintentional starting.** Ensure the switch is in the off-position before connecting to power source and/or battery pack, picking up or carrying the tool. Carrying power tools with your finger on the switch or energising power tools that have the switch on invites accidents.

- d) **Remove any adjusting key or wrench before turning the power tool on.** A wrench or a key left attached to a rotating part of the power tool may result in personal injury.
- e) **Do not overreach.** Keep proper footing and balance at all times. This enables better control of the power tool in unexpected situations.
- f) **Dress properly.** Do not wear loose clothing or jewellery. Keep your hair, clothing and gloves away from moving parts. Loose clothes, jewellery or long hair can be caught in moving parts.
- g) **If devices are provided for the connection of dust extraction and collection facilities, ensure these are connected and properly used.** Use of dust collection can reduce dust related hazards.
- h) **Do not let familiarity gained from frequent use of tools allow you to become complacent and ignore tool safety principles.** A careless action can cause severe injury within a fraction of a second.
- 4) Power tool use and care**
- a) **Do not force the power tool.** Use the correct power tool for your application. The correct power tool will do the job better and safer at the rate for which it was designed.
- b) **Do not use the power tool if the switch does not turn it on and off.** Any power tool that cannot be controlled with the switch is dangerous and must be repaired.
- c) **Disconnect the plug from the power source and/or the battery pack from the power tool before making any adjustments, changing accessories, or storing power tools.** Such preventive safety measures reduce the risk of starting the power tool accidentally.
- d) **Store idle power tools out of the reach of children and do not allow persons unfamiliar with the power tool or these instructions to operate the power tool.** Power tools are dangerous in the hands of untrained users.
- e) **Maintain power tools.** Check for misalignment or binding of moving parts, breakage of parts and any other condition that may affect the power tool's operation. If damaged, have the power tool repaired before use. Many accidents are caused by poorly maintained power tools.
- f) **Keep cutting tools sharp and clean.** Properly maintained cutting tools with sharp cutting edges are less likely to bind and are easier to control.
- g) **Use the power tool, accessories and tool bits etc. in accordance with these instructions, taking into account the working conditions and the work to be performed.** Use of the power tool for operations different from those intended could result in a hazardous situation.
- h) **Keep handles and grasping surfaces dry, clean and free from oil and grease.** Slippery handles and grasping surfaces do not allow for safe handling and control of the tool in unexpected situations.
- 5) Service**
- a) **Have your power tool serviced by a qualified repair person using only identical replacement parts.** This will ensure that the safety of the power tool is maintained.

ADDITIONAL SAFETY INSTRUCTIONS

- Do not use oversized sanding sheets, but follow the manufacturer's specifications for the size of sanding sheets. Sanding sheets which project over the sanding pad may cause injuries as well as block and rip the sanding sheets or cause a kickback.
- It is not recommended to sand lead paint. Lead paint should be removed by a specialist only.
- Do not work on materials which release hazardous substances (e.g. asbestos). Take precautions if hazardous, combustible or explosive dust is likely to occur. Wear protective dust mask. Use dust extraction system.
- If plaster board or plaster is sanded, this may cause static electricity to build up on the tool. To ensure your safety, the wall sander is earthed. Remove dust with an earthed dust extractor only.
- Do not work materials containing asbestos. Asbestos is considered carcinogenic.
- Do not use the machine for sanding magnesium workpieces.
- Wear safety goggles. Wear hearing protection. If necessary, use other protective means, such as safety gloves, safety shoes, etc.
- Hold the machine by the insulated gripping surfaces where the accessory may contact hidden wiring or the mains cable. If the accessory contacts a 'live' wire, the exposed metal parts of the machine can also become 'live'. Risk of electric shock.
- Be very careful when sanding painted surfaces.
- Before use, remove all nails and other metal objects from the workpiece.

- Make sure that the workpiece is properly supported or fixed.
- Only use sanding paper that is suitable for use with the machine.
- Only use sanding paper with the correct dimensions. Make sure that the sanding paper is properly mounted.
- Inspect the sanding paper before each use. Do not use sanding paper that is worn because of prolonged use.
- Never put the machine down on a table or a workbench before it has been switched off.

Electrical safety



Always check that the voltage of the power supply corresponds to the voltage on the rating plate label.

- Do not use the machine if the mains cable or the mains plug is damaged.
- Only use extension cables that are suitable for the power rating of the machine with a minimum thickness of 1.5 mm². If you use an extension cable reel, always fully unroll the cable.

2. MACHINE INFORMATION

Intended use

The machine is designed for sanding walls and ceilings, for sanding smoothed drywalls, for removing paint, wallpaper and adhesive remnants. It is not permitted to use cutting-off wheels, roughing wheels, fan-like grinding wheels or wire brushes. The machine is not suitable for processing objects containing asbestos. Improper use may damage the tool.

TECHNICAL SPECIFICATIONS

Model No.	DS502AC
Voltage	220-240V ~
Frequency	50/60 Hz
Power input	1050W
No-load speed	600-2600/min
Disc diameter	Ø 215 mm
Weight	5.04 kg
Sound pressure level L _{PA}	93+3 dB(A)
Acoustic power level L _{WA}	104+3 dB(A)
Vibration	4.16+1.5 m/s ²



Wear hearing protection.

Vibration level

The vibration emission level stated in this instruction manual has been measured in accordance with a standardized test given in EN60745; it may be used to compare one tool with another and as a preliminary assessment of exposure to vibration when using the tool for the applications mentioned.

- Using the tool for different applications, or with different or poorly maintained accessories, may significantly increase the exposure level.
- The times when the tool is switched off or when it is running but not actually doing the job, may significantly reduce the exposure level.

Protect yourself against the effects of vibration by maintaining the tool and its accessories, keeping your hands warm, and organizing your work patterns.

DESCRIPTION

The numbers in the text refer to the diagrams on page 2-4.

Fig. A

1. On/off switch
2. Speed adjustment wheel
3. Hinge
4. Upper handle
5. Middle handle
6. Lower handle
7. Dust hose connector
8. Dust hose
9. Dust bag
10. Clip
11. Strap
12. Sanding pad cover
13. Hinge lock
14. Telescopic extension
15. Telescopic extension connector
16. Sanding pad
17. Sanding paper
18. Hex key holder

3. ASSEMBLY



Before assembly, always switch off the machine and remove the mains plug from the mains.

Assembling the foldable tube (Fig. B)

1. Fully unfold the telescopic tube of the drywall sander as shown on figure B1.
2. Secure with the Hinge lock (13) as shown on figure B2. Make sure that the Hinge lock (13) is engaged correctly. To disassemble the foldable tube, simply open the Hinge lock (13). Now, the telescopic tube can be folded.

Assembling the telescopic tube (Fig. C)

1. Insert the Telescopic extension (14) into the opening of the Middle handle (5), as shown on figure C1. Make sure the flat part of the tube aligns with the flat part of the opening.
2. Tighten the Telescopic extension connector (15) by turning it clockwise, as shown on figure C2.

Note: the machine can also be used without the Telescopic extension (14). To do so, skip this step and assemble the dust extraction system directly into the Middle handle (5), instead of the Lower handle (6).

Assembling the dust extraction system (Fig. D)

It is highly recommended to use the machine with the dust hose and dust bag, ensuring optimal dust extraction.

1. Insert the Dust hose (8) with Connector (7) into the opening of the Lower handle (6), as shown on figure D1. Make sure the flat part of the tube aligns with the flat part of the opening.
2. Tighten the Dust hose connector (7) by turning it clockwise, as shown on figure D2.

Note: The dust bag should be emptied when the bag is half full to maintain optimal dust extraction.

Mounting and removing sanding paper (Fig. F)

- Hold the machine on its side or upside down, as shown on Fig. E
- Mount sanding paper (17) with the required grain size onto the sanding pad (16). Make sure that the perforation in the sanding paper (17) corresponds with the perforation on the sanding pad (16).
- To remove the sanding paper (17), simply pull the sanding paper from the sanding pad (16).

Note: Use coarse sanding paper for sanding rough, uneven surfaces. Use medium sanding paper for removing the remaining scratches from the coarse

sanding paper. Use fine sanding paper for finishing surfaces.

Replacing the sanding pad (Fig. F)

Only install the sanding pad specified by the manufacturer onto the machine.

Removing the sanding pad:

1. Remove sanding paper (17) from the sanding pad (16).
2. Insert the supplied hex key into the bolt on the sanding pad (16).
3. Whilst holding the sanding pad (16) firmly, turn the wrench anti-clockwise to loosen the hex bolt.
4. The sanding pad (16) now can be removed.

Mounting the sanding pad:

1. Mount the sanding pad (16) onto the machine.
2. Insert the bolt into the sanding pad (16) and insert the hex key into the bolt.
3. Whilst holding the sanding pad (16) firmly, turn the wrench clockwise to fasten the hex bolt.

4. OPERATION**Switching on and off (Fig. A)**

- To switch on the machine, move the on/off switch (1) upwards.
- To switch off the machine, move the on/off switch (1) downwards.

Note: It is recommended to keep the motor running for a short period of time after sanding, so that residual dust can be collected into the bag.

Speed adjustment (Fig. A)

The required speed can be adjusted by using the Speed adjustment wheel (2). Also during operation the rotational speed can be adjusted.

- To increase the speed, turn the Speed adjustment knob (2) clockwise.
- To decrease the speed, turn the Speed adjustment knob (2) anti-clockwise. The required speeds depends on the material and can be determined by practical testing.

Adjusting the telescopic tube length (Fig. C2)

1. Untighten the Connector (15) by turning it anti-clockwise.
2. Extract or detract the Telescopic tube to the desired length. Be aware of the warning mark

on the telescopic tube, indicating the maximum length to ensure stability.

3. Tighten the Connector (15) by turning it clockwise.

Locking the sanding head (Fig. E)

The sanding head movement can be locked into upwards position. This way, working comfort during sanding of ceilings is improved.

1. Move the Sanding pad (16) to upwards position, as shown on figure E1
2. Whilst holding the Sanding pad (16), slide the Strap (11) over the Clip (10) as shown on figure E2.

To unlock the sanding head movement, simply remove the Strap (11) from the Clip (10) by sliding it off. The sanding head can now move freely.

Hints for optimum use

- Firmly hold the machine with both hands.
- Switch on the machine.
- Place the sanding pad with sanding paper on the workpiece.
- Slowly move the machine over the workpiece, firmly pressing the sanding pad against the workpiece.
- Do not apply too much pressure on the machine. Let the machine do the work.
- Switch off the machine and wait for the machine to come to a complete standstill before putting the machine down.

5. MAINTENANCE



Always disconnect the machine from the main power supply before carrying out any maintenance work.

Clean the machine casings regularly with a soft cloth, preferably after each use. Make sure that the ventilation openings are free of dust and dirt. Remove very persistent dirt using a soft cloth moistened with soapsuds. Do not use any solvents such as gasoline, alcohol, ammonia, etc. Chemicals such as these will damage the synthetic components.

ENVIRONMENT



Faulty and/or discarded electrical or electronic apparatus have to be collected at the appropriate recycling locations.

Only for EC countries

Do not dispose of power tools into domestic waste. According to the European Guideline 2012/19/EC for Waste Electrical and Electronic Equipment and its implementation into national right, power tools that are no longer usable must be collected separately and disposed of in an environmentally friendly way.

WARRANTY

VONROC products are developed to the highest quality standards and are guaranteed free of defects in both materials and workmanship for the period lawfully stipulated starting from the date of original purchase. Should the product develop any failure during this period due to defective material and/or workmanship then contact VONROC directly.

The following circumstances are excluded from this guarantee:

- Repairs and or alterations have been made or attempted to the machine by unauthorized service centers;
- Normal wear and tear;
- The tool has been abused, misused or improperly maintained;
- Non-original spare parts have been used.

This constitutes the sole warranty made by company either expressed or implied. There are no other warranties expressed or implied which extend beyond the face hereof, herein, including the implied warranties of merchantability and fitness for a particular purpose. In no event shall VONROC be liable for any incidental or consequential damages. The dealers remedies shall be limited to repair or replacement of nonconforming units or parts.

The product and the user manual are subject to change. Specifications can be changed without further notice.

1. SICHERHEITSANWEISUNGEN

Lesen Sie die beiliegenden Sicherheitsanweisungen, die zusätzlichen Sicherheitsanweisungen sowie diese Bedienungsanleitung sorgfältig durch. Bei Nichtbeachten der Sicherheitsanweisungen und der Bedienungsanleitung kann es zu einem Stromschlag, einem Brand und/oder schweren Verletzungen kommen. Bewahren Sie die Sicherheitsanweisungen und die Bedienungsanleitung zur künftigen Bezugnahme sicher auf.

Folgende Symbole werden im Benutzerhandbuch oder auf dem Produkt verwendet:



Lesen Sie das Benutzerhandbuch.



Lebens- und Verletzungsgefahr und Gefahr von Beschädigungen am Werkzeug/Gerät bei Nichteinhaltung der Anweisungen in dieser Bedienungsanleitung.



Gefahr eines Stromschlags.



Verstellbarer Geschwindigkeitsregler.



Schutzbrille und Gehörschutz tragen.



Tragen Sie eine Staubmaske.



Gerät der Schutzklasse II – schutzisoliert – kein Schutzkontakt erforderlich.



Das Produkt entspricht den geltenden Sicherheitsnormen der europäischen Richtlinien.

ALLGEMEINE SICHERHEITSHINWEISE



ACHTUNG! Lesen Sie alle Sicherheitshinweise und Anweisungen. Fehler bei der Einhaltung der nachstehend aufgeführten Anweisungen können elektrischen Schlag, Brand und/oder schwere Verletzungen verursachen.

Bewahren Sie diese Anweisungen gut auf.

Der nachfolgend verwendete Begriff „Elektrowerkzeug“ bezieht sich auf netzbetriebene Elektrowerkzeuge (mit Netzkabel) und auf akkubetriebene Elektrowerkzeuge (ohne Netzkabel).

1) Arbeitsplatz

- a) **Halten Sie Ihren Arbeitsbereich sauber und aufgeräumt.** Unordnung und unbeleuchtete Arbeitsbereiche können zu Unfällen führen.
- b) **Arbeiten Sie mit dem Gerät nicht in explosionsgefährdeter Umgebung, in der sich brennbare Flüssigkeiten, Gase oder Staub befinden.** Elektrowerkzeuge erzeugen Funken, die den Staub oder die Dämpfe entzünden können.
- c) **Halten Sie Kinder und andere Personen während der Benutzung des Elektrowerkzeugs fern.** Bei Ablenkung können Sie die Kontrolle über das Gerät verlieren.

2) Elektrische Sicherheit

- a) **Der Anschlussstecker des Gerätes muss in die Steckdose passen.** Der Netzstecker darf in keener Weise verändert werden. Verwenden Sie keine Adapterstecker gemeinsam mit schutzgeerdeten Geräten. Unveränderte Netzstecker und passende Steckdosen verringern das Risiko eines elektrischen Schlages.
- b) **Vermeiden Sie Körperkontakt mit geerdeten Oberflächen, wie von Rohren, Heizungen, Herden und Kühlschränken.** Es besteht ein erhöhtes Risiko durch elektrischen Schlag, wenn Ihr Körper geerdet ist.
- c) **Halten Sie das Gerät von Regen oder Nässe fern.** Das Eindringen von Wasser in ein Elektrogerät erhöht das Risiko eines elektrischen Schlages.
- d) **Zweckentfremden Sie das Netzkabel nicht, um das Gerät zu tragen, aufzuhängen oder um den Netzstecker aus der Steckdose zu ziehen. Halten Sie das Netzkabel fern von Hitze, Öl, scharfen Kanten oder sich bewegenden Geräteteilen.** Beschädigte oder verwickelte Netzkabel erhöhen das Risiko eines elektrischen Schlages.
- e) **Wenn Sie mit einem Elektrowerkzeug im Freien arbeiten, verwenden Sie nur Verlängerungskabel, die auch für den Außenbereich zugelassen sind.** Die Anwendung eines für den Außenbereich geeigneten Verlängerungskabels verringert das Risiko eines elektrischen Schlages.
- f) **Wenn sich Arbeiten mit einem Elektrowerkzeug in feuchten Umgebungen nicht vermeiden lassen, verwenden Sie eine Stromversorgung mit einer Fehlerstrom-Schutzeinrichtung (RCD).** Durch die Verwendung einer RCD wird die Gefahr eines elektrischen Schlags verringert.

- 3) Sicherheit von Personen**
- a) **Seien Sie aufmerksam. Achten Sie darauf, was Sie tun, und gehen Sie mit Vernunft an die Arbeit mit einem Elektrowerkzeug. Benutzen Sie das Gerät nicht, wenn Sie müde sind oder unter dem Einfluss von Drogen, Alkohol oder Medikamenten stehen.** Ein Moment der Unachtsamkeit beim Gebrauch des Gerätes kann zu ernsthaften Verletzungen führen.
 - b) **Tragen Sie persönliche Schutzausrüstung und immer eine Schutzbrille.** Das Tragen persönlicher Schutzausrüstung, wie Staubmaske, rutschfeste Sicherheitsschuhe, Schutzhelm oder Gehörschutz, je nach Art und Einsatz des Elektrowerkzeuges, verringert das Risiko von Verletzungen.
 - c) **Vermeiden Sie eine unbeabsichtigte Inbetriebnahme. Vergewissern Sie sich, dass der Schalter in der Position „AUS(0)“ ist, bevor Sie den Netzstecker in die Steckdose stecken.** Wenn Sie beim Tragen des Geräts den Finger am Schalter haben oder das Gerät eingeschaltet an die Stromversorgung anschließen, kann dies zu Unfällen führen.
 - d) **Entfernen Sie Einstellwerkzeuge oder Schraubenschlüssel, bevor Sie das Gerät einschalten.** Ein Werkzeug oder Schlüssel, der sich in einem drehenden Geräteteil befindet, kann zu Verletzungen führen.
 - e) **Überschätzen Sie sich nicht. Sorgen Sie für einen sicheren Stand und halten Sie jederzeit das Gleichgewicht.** Dadurch können Sie das Gerät in unerwarteten Situationen besser kontrollieren.
 - f) **Tragen Sie geeignete Kleidung. Tragen Sie keine weite Kleidung oder Schmuck. Halten Sie Haare, Kleidung und Handschuhe fern von sich bewegenden Teilen.** Lockere Kleidung, Schmuck oder lange Haare können von sich bewegenden Teilen erfasst werden.
 - g) **Wenn Staubabsaug- und -auffangeinrichtungen montiert werden können, vergewissern Sie sich, dass diese angeschlossen sind und richtig verwendet werden.** Das Verwenden dieser Einrichtungen verringert Gefährdungen durch Staub.
 - h) **Achten Sie darauf, nicht durch häufigen Gebrauch von Werkzeugen nachlässig zu werden und die Prinzipien zum sicheren Umgang mit den Werkzeugen zu ignorieren.** Eine unachtsame Handlung kann innerhalb von Sekundenbruchteilen schwere Verletzungen verursachen.
- 4) Sorgfältiger Umgang und Gebrauch von Elektrowerkzeugen**
- a) **Überlasten Sie das Gerät nicht. Verwenden Sie für Ihre Arbeit das dafür bestimmte Elektrowerkzeug.** Mit dem passenden Elektrowerkzeug arbeiten Sie besser und sicherer im angegebenen Leistungsbereich.
 - b) **Benutzen Sie kein Elektrowerkzeug, dessen Schalter defekt ist.** Ein Elektrowerkzeug, das sich nicht mehr ein- oder ausschalten lässt, ist gefährlich und muss repariert werden.
 - c) **Ziehen Sie den Netzstecker aus der Steckdose, bevor Sie Geräteeinstellungen vornehmen, Zubehörteile wechseln oder das Gerät weglegen.** Diese Vorsichtsmaßnahme verhindert den unbeabsichtigten Start des Geräts.
 - d) **Bewahren Sie unbenutzte Elektrowerkzeuge außerhalb der Reichweite von Kindern auf. Lassen Sie Personen das Gerät nicht benutzen, die mit diesem nicht vertraut sind oder diese Anweisungen nicht gelesen haben.** Elektrowerkzeuge sind gefährlich, wenn Sie von unerfahrenen Personen benutzt werden.
 - e) **Pflegen Sie das Gerät mit Sorgfalt. Kontrollieren Sie, ob bewegliche Geräteteile einwandfrei funktionieren und nicht klemmen, ob Teile gebrochen oder so beschädigt sind, dass die Funktion des Gerätes beeinträchtigt ist. Lassen Sie beschädigte Teile vor dem Einsatz des Gerätes reparieren.** Viele Unfälle haben ihre Ursache in schlecht gewarteten Elektrowerkzeugen.
 - f) **Halten Sie Schneidwerkzeuge scharf und sauber.** Sorgfältig gepflegte Schneidwerkzeuge mit scharfen Schneidkanten verklemmen sich weniger und sind leichter zu führen.
 - g) **Verwenden Sie Elektrowerkzeug, Zubehör, Einsatzwerkzeuge usw. entsprechend diesen Anweisungen und so, wie es für diesen speziellen Gerätetyp vorgeschrieben ist. Berücksichtigen Sie dabei die Arbeitsbedingungen und die auszuführende Tätigkeit.** Der Gebrauch von Elektrowerkzeugen für andere als die vorgesehenen Anwendungen kann zu gefährlichen Situationen führen.
 - h) **Halten Sie Griffe und Greifflächen immer trocken, sauber und frei von Öl und Fett.** Rutschige Griffe und Greifflächen verhindern in unerwarteten Situationen den sicheren Umgang mit dem Werkzeug und die richtige Kontrolle darüber.

5) Service

- a) **Lassen Sie Ihre Werkzeuge durch einen qualifizierten Reparaturtechniker ausschließlich mit identischen Ersatzteilen warten.** So lässt sich eine gleich bleibende Sicherheit des Elektrowerkzeugs gewährleisten.

ZUSÄTZLICHE SICHERHEITSHINWEISE

- Benutzen Sie keine überdimensionierten Schleifblätter, sondern befolgen Sie die Herstellerangaben zur Schleifblattgröße. Schleifblätter, die über den Schleifteller hinausragen, können Verletzungen verursachen sowie zum Blockieren, Zerreißen der Schleifblätter oder zum Rückschlag führen.
- Das Abschleifen von Bleifarben wird nicht empfohlen. Das Entfernen von Bleifarben sollte nur vom Fachmann unternommen werden.
- Keine Materialien bearbeiten, bei denen gesundheitsgefährdende Stoffe freigesetzt werden (z. B. Asbest). Schutzmaßnahmen treffen, wenn gesundheitsschädliche, brennbare oder explosive Stäube entstehen können. Staubschutzmaske tragen. Absauganlagen verwenden.
- Das Schleifen von Gipskartonplatten bzw. Gips kann zum Aufbau von statischer Elektrizität am Werkzeug führen. Zur Absaugung nur geerdete Staubsauger verwenden.
- Bearbeiten Sie keine asbesthaltigen Materialien. Asbest wird als krebserregend eingestuft.
- Verwenden Sie die Maschine nicht zum Schleifen von Werkstücken aus Magnesium.
- Tragen Sie eine Schutzbrille. Tragen Sie einen Gehörschutz. Verwenden Sie ggf. weitere Schutzmittel wie beispielsweise Schutzhandschuhe, Sicherheitsschuhe, usw.
- Halten Sie die Maschine an den isolierten Griffflächen, falls die Gefahr besteht, dass das Zubehör versteckte Leitungen oder das Netzkabel berühren könnte. Falls das Zubehör einen spannungsführenden Draht berührt, können die freiliegenden Metallteile der Maschine ebenfalls spannungsführend werden. Gefahr eines Stromschlags.
- Gehen Sie beim Schleifen von lackierten Oberflächen äußerst vorsichtig vor.
- Entfernen Sie vor dem Gebrauch alle Nägel und sonstigen Metallgegenstände aus dem Werkstück.
- Vergewissern Sie sich, dass das Werkstück richtig gestützt bzw. fixiert ist.
- Verwenden Sie nur Schleifpapier, das für den Gebrauch mit der Maschine geeignet sind.

- Verwenden Sie nur Schleifpapier mit den richtigen Maßen. Vergewissern Sie sich, dass das Schleifpapier richtig angebracht ist.
- Überprüfen Sie das Schleifpapier vor jedem Gebrauch. Verwenden Sie kein verschlissenes Schleifpapier, um es dadurch länger verwenden zu können.
- Legen Sie die Maschine niemals auf einem Tisch oder einer Werkbank ab, bevor sie nicht abgeschaltet wurde.

Sicherheit bei Elektrizität



Achten Sie stets darauf, dass die Spannung der Stromversorgung mit der Spannung auf dem Typenschild übereinstimmt.

- Verwenden Sie die Maschine nicht, wenn das Netzkabel oder der Netzstecker beschädigt ist.
- Verwenden Sie nur Verlängerungskabel, die für die Leistungsaufnahme der Maschine geeignet sind und eine Mindestaderstärke von 1,5 mm² haben. Falls Sie eine Kabeltrommel verwenden, rollen Sie das Kabel immer vollständig ab.

2. ANGABEN ZUM WERKZEUG

Verwendungszweck

Die Maschine ist zum Schleifen von Wänden und Decken, zum Schleifen von geglätteten Trockenwänden, zum Entfernen von Farbe, Tapeten und Klebstoffresten vorgesehen. Die Verwendung von Trenn-, Schrupp-, Fächerschleifscheiben oder Drahtbürsten ist nicht zulässig. Die Maschine ist nicht für die Verarbeitung asbesthaltiger Gegenstände geeignet. Unsachgemäßer Gebrauch kann das Werkzeug beschädigen.

TECHNISCHE DATEN

Modellnummer	DS502AC
Netzspannung	220-240V~
Frequenz	50/60 Hz
Leistung	1050 W
Leerlaufdrehzahl	600-2600/min
Scheibendurchmesser	Ø 215 mm
Gewicht	5,04 kg
Schalldruckpegel L _{PA}	93+3 dB(A)
Schallleistungspegel L _{WA}	104+3 dB(A)
Schwingung	4,16+1,5 m/s ²



Tragen Sie einen Gehörschutz.

Vibrationsintensität

Die in dieser Bedienungsanleitung angegebene Vibrationsintensität wurde mit einem standardisierten Test gemäß EN60745 gemessen. Anhand dieser Größe können Werkzeuge miteinander verglichen werden. Außerdem eignet sich diese Größe für eine erste Beurteilung der Vibrationsbelastung bei Verwendung des Werkzeugs für die angegebenen Anwendungszwecke.

- Bei Verwendung des Werkzeugs für andere Anwendungen oder mit anderem oder unzureichend gewartetem Zubehör kann sich die Vibrationsbelastung erheblich erhöhen.
- Wenn das Werkzeug ausgeschaltet ist, oder wenn es eingeschaltet ist, jedoch nicht genutzt wird, kann sich die Vibrationsbelastung erheblich verringern.

Schützen Sie sich vor den Auswirkungen der Vibration durch Wartung des Werkzeugs und des Zubehörs, halten Sie Ihre Hände warm, und organisieren Sie Ihren Arbeitsablauf.

BESCHREIBUNG

Die Buchstaben und Ziffern im folgenden Text verweisen auf die Abbildungen auf Seite 2-4.

Abb. A

1. Ein-/Ausschalter
2. Geschwindigkeitseinstellrad
3. Scharnier
4. Oberer Griff
5. Mittlerer Griff
6. Unterer Griff
7. Anschluss für Staubabsaugschlauch
8. Staubabsaugschlauch
9. Staubbeutel
10. Klammer
11. Band
12. Schleifkissenbezug
13. Scharniersperre
14. Teleskopauszug
15. Teleskopauszuganschluss
16. Schleifkissen
17. Schleifpapier
18. Sechskantschlüsselhalter

3. MONTAGE



Schalten Sie die Maschine vor der Montage aus und ziehen Sie den Netzstecker aus der Steckdose.

Zusammenbau des klappbaren Rohres (Abb. B)

1. Klappen Sie das Teleskoprohr des Trockenbauschleifers wie in Abbildung B1 gezeigt vollständig auf.
2. Mit der Scharniersperre (13) wie in Abbildung B2 gezeigt sichern. Stellen Sie dabei sicher, dass die Scharniersperre (13) richtig einrastet. Öffnen Sie einfach die Scharniersperre (13), um das klappbare Rohr wieder auseinanderzubauen. Jetzt kann das Teleskoprohr zusammengeklappt werden.

Zusammenbau des Teleskoprohres (Abb. C)

1. Setzen Sie die Teleskopverlängerung (14) in die Öffnung des mittleren Griffs (5) ein, siehe Abbildung C1. Stellen Sie sicher, dass der flache Teil des Rohrs am flachen Teil der Öffnung ausgerichtet ist.
2. Ziehen Sie den Teleskopauszuganschluss (15) durch Drehen im Uhrzeigersinn fest, siehe Abbildung C2.

Hinweis: Die Maschine kann auch ohne den Teleskopauszug (14) verwendet werden. Überspringen Sie dazu diesen Schritt und montieren Sie das Staubabsaugsystem direkt im mittleren Griff (5) anstatt im unteren Griff (6).

Zusammenbau des Staubabsaugsystems (Abb. D)

Es wird dringend empfohlen, die Maschine mit dem Staubabsaugschlauch und dem Staubbeutel zu verwenden, um eine optimale Staubabsaugung zu gewährleisten.

1. Stecken Sie den Staubabsaugschlauch (8) mit dem Anschluss (7) in die Öffnung des unteren Griffs (6), siehe Abbildung D1. Stellen Sie sicher, dass der flache Teil des Rohrs am flachen Teil der Öffnung ausgerichtet ist.
2. Ziehen Sie den Anschluss des Staubabsaugschlauchs (7) im Uhrzeigersinn fest, siehe Abbildung D2.

Hinweis: Der Staubbeutel sollte entleert werden, wenn der Beutel zur Hälfte gefüllt ist, um eine optimale Staubabsaugung zu gewährleisten.

Anbringen und Entfernen von Schleifpapier (Abb. F)

- Halten Sie die Maschine seitlich oder umgedreht, siehe Abbildung E.
- Bringen Sie Schleifpapier (17) mit der gewünschten Körnung auf den Schleifkissen (16) an. Stellen Sie sicher, dass die Perforation im Schleifpapier (17) mit der Perforation auf dem Schleifkissen (16) übereinstimmt.
- Um das Schleifpapier (17) zu entfernen, ziehen Sie einfach das Schleifpapier vom Schleifkissen (16) ab.

Hinweis: Verwenden Sie grobes Schleifpapier zum Schleifen von rauen, unebenen Oberflächen. Verwenden Sie Schleifpapier mit mittlerer, um verbleibende Kratzer des groben Schleifpapiers zu beseitigen. Verwenden Sie feines Schleifpapier zur Endbearbeitung von Oberflächen.

Austauschen des Schleifkissens (Abb. F)

Bringen Sie nur das vom Hersteller angegebene Schleifkissen an der Maschine an.

Entfernen des Schleifkissens:

1. Entfernen Sie das Schleifpapier (17) vom Schleifkissen (16).
2. Stecken Sie den mitgelieferten Sechskantschlüssel in die Schraube am Schleifkissen (16).
3. Halten Sie das Schleifkissen (16) gut fest und drehen Sie den Schlüssel gegen den Uhrzeigersinn, um die Sechskantschraube zu lösen.
4. Das Schleifkissen (16) kann jetzt entfernt werden.

Anbringen des Schleifkissens:

1. Bringen Sie das Schleifkissen (16) an der Maschine an.
2. Führen Sie die Schraube in das Schleifkissen (16) und dann den Sechskantschlüssel in die Schraube ein.
3. Halten Sie das Schleifkissen (16) gut fest und drehen Sie den Schlüssel im Uhrzeigersinn, um die Sechskantschraube festzuziehen.

4. BETRIEB**Ein- und Ausschalten (Abb. A)**

- Zum Einschalten der Maschine stellen Sie den Ein-/Ausschalter (1) in die obere Position.
- Zum Ausschalten der Maschine stellen Sie den Ein-/Ausschalter (1) in die untere Position.

Hinweis: Es wird empfohlen, den Motor nach dem Schleifen für kurze Zeit laufen zu lassen, damit der restliche Staub im Beutel gesammelt wird.

Geschwindigkeitseinstellung (Abb. A)

Die gewünschte Geschwindigkeit ist durch das Geschwindigkeitseinstellrad (2) einstellbar. Die Geschwindigkeit kann auch während des Betriebs eingestellt werden.

- Um die Geschwindigkeit zu erhöhen, drehen Sie den Geschwindigkeitseinstellknopf (2) im Uhrzeigersinn.
- Um die Geschwindigkeit zu verringern, drehen Sie den Geschwindigkeitseinstellknopf (2) gegen den Uhrzeigersinn. Die erforderliche Geschwindigkeit hängt vom Material ab und kann durch praktische Tests ermittelt werden.

Einstellen der Teleskoprohrlänge (Abb. C2)

1. Lösen Sie den Anschluss (15) durch Drehen gegen den Uhrzeigersinn.
2. Ziehen Sie das Teleskoprohr auf die gewünschte Länge heraus oder schieben Sie es herein. Beachten Sie den Warnhinweis zur maximalen Länge auf dem Teleskoprohr, um die Stabilität zu gewährleisten.
3. Ziehen Sie den Anschluss (15) durch Drehen im Uhrzeigersinn fest.

Sperrn des Schleifkopfes (Abb. E)

Die Bewegung des Schleifkopfes kann in der oberen Position arretiert werden. Dadurch wird der Komfort beim Schleifen von Decken verbessert.

1. Bringen Sie das Schleifkissen (16) in die obere Position, siehe Abbildung E1.
2. Halten Sie das Schleifkissen (16) fest und schieben Sie das Band (11) über die Klammer (10), siehe Abbildung E2.

Um die Bewegung des Schleifkopfes wieder zu entsperren, entfernen Sie einfach das Band (11), indem Sie es von der Klammer (10) herunterschieben. Der Schleifkopf kann sich jetzt frei bewegen.

Hinweise zur optimalen Nutzung

- Halten Sie die Maschine mit beiden Händen fest.
- Schalten Sie die Maschine ein.
- Setzen Sie das Schleifkissen mit dem angebrachten Schleifpapier auf das Werkstück auf.
- Bewegen Sie die Maschine langsam über das

Werkstück und drücken Sie den Schleifteller dabei fest gegen das Werkstück.

- Üben Sie jedoch keinen übermäßigen Druck auf die Maschine aus. Lassen Sie die Maschine die Arbeit machen.
- Schalten Sie die Maschine aus und warten Sie, bis sie ganz zum Stillstand gekommen ist, bevor Sie sie ablegen.

5. WARTUNG



Trennen Sie die Maschine vom Netz, wenn Sie am Mechanismus Wartungsarbeiten ausführen müssen.

Reinigen Sie das Werkzeuggehäuse regelmäßig mit einem weichen Lappen, vorzugsweise nach jeder Verwendung. Stellen Sie sicher, dass die Lüftungsöffnungen frei von Staub und Schmutz sind. Entfernen Sie anhaftenden Schmutz mit einem weichen Lappen, der leicht mit Seifenwasser befeuchtet wurde. Verwenden Sie keine Lösungsmittel wie Benzin, Alkohol, Ammoniak usw., da Chemikalien dieser Art die Kunststoffteile beschädigen.

UMWELTSCHUTZ



Schadhafte und/oder zu entsorgende elektrische oder elektronische Werkzeuge und Geräte müssen an den dafür vorgesehenen Recycling-Stellen abgegeben werden.

Nur für EG-Länder

Entsorgen Sie Elektrowerkzeuge nicht über den Hausmüll. Entsprechend der EU-Richtlinie 2012/19/EG über Elektro- und Elektronik-Altgeräte sowie der Umsetzung in nationales Recht müssen Elektrowerkzeuge, die nicht mehr im Gebrauch sind, getrennt gesammelt und umweltschonend entsorgt werden.

GARANTIE

VONROC-Produkte werden nach den höchsten Qualitätsstandards entwickelt und sind für den gesetzlich festgelegten Zeitraum, ausgehend von dem ursprünglichen Kaufdatum, garantiert frei von Fehlern in Material und Ausführung. Sollte das Produkt in diesem Zeitraum aufgrund von Material- und/oder Verarbeitungsmängeln Fehler aufweisen, wenden Sie sich bitte direkt an VONROC Kundendienst.

Folgende Umstände sind von der Garantie ausgeschlossen:

- Reparaturen und oder Änderungen an der Maschine, die durch nicht-autorisierte Servicestellen vorgenommen oder versucht wurden.
- Normale Abnutzung und Verschleiß.
- Das Werkzeug wurde übermäßig beansprucht, missbräuchlich verwendet oder falsch gewartet.
- Es wurden keine Original-Ersatzteile verwendet.

Dies stellt die einzige Gewährleistung des Unternehmens dar, sowohl ausdrücklich als auch implizit.

Es gibt keine anderen ausdrücklichen oder stillschweigenden Garantien, die über das hier Genannte hinausgehen, einschließlich der stillschweigenden Garantien der Marktgängigkeit oder Eignung für einen bestimmten Zweck. In keinem Fall ist VONROC haftbar für Neben- oder Folgeschäden. Die Rechtsmittel des Händlers beschränken sich auf Reparatur oder Ersatz fehlerhafter Einheiten oder Teile.

Am Produkt und am Benutzerhandbuch können Änderungen vorgenommen werden. Die technischen Daten können sich ohne Vorankündigung ändern.

1. VEILIGHEIDSVOORSCHRIFTEN

Lees de bijgesloten veiligheidswaarschuwingen, de aanvullende veiligheidswaarschuwingen en de instructies. Het niet opvolgen van de veiligheidswaarschuwingen kan elektrische schokken, brand en/of ernstig letsel tot gevolg hebben. Bewaar de veiligheidswaarschuwingen en instructies als naslagwerk voor later.

De volgende symbolen worden gebruikt in de gebruikershandleiding of op het product:



Lees de gebruikershandleiding.



Gevaar voor lichamelijk letsel, overlijden of schade aan de machine wanneer de instructies in deze handleiding niet worden opgevolgd.



Gevaar voor elektrische schokken.



Variabele elektronische snelheid.



Draag oog- en gehoorbescherming.



Draag een stofmasker.



Klasse II apparaat - Dubbel geïsoleerd - Een geaarde stekker is niet noodzakelijk.



Het product is in overeenstemming met de van toepassing zijnde veiligheidsnormen in de Europese richtlijnen.

ALGEMENE VEILIGHEIDSVOORSCHRIFTEN



WAARSCHUWING! Lees alle veiligheidswaarschuwingen en alle instructies. Het niet opvolgen van onderstaande instructies kan leiden tot een elektrische schok, brand en/of ernstig persoonlijk letsel.

Bewaar deze instructies goed.

De term "elektrisch gereedschap" in onderstaande waarschuwingen heeft betrekking op zowel apparatuur met een vaste elektriciteitskabel als op apparatuur met een accu (draadloze apparatuur).

1) Werkgebied

- Zorg voor een opgeruimde en goed verlichte werkomgeving.** Rommelige en donkere werk-

omgevingen leiden tot ongelukken

- Gebruik elektrisch gereedschap nooit in een omgeving waar explosiegevaar bestaat, zoals in de nabijheid van ontvlambare vloeistoffen, gassen, dampen of andere stoffen.** Elektrische gereedschappen kunnen vonken veroorzaken, die deze stoffen tot ontbranding kunnen brengen.
- Wanneer u elektrisch gereedschap gebruikt, houd dan kinderen en omstanders op afstand.** Wanneer u wordt afgeleid, kunt u de controle over het gereedschap verliezen.

2) Elektrische veiligheid

- Stekkers van elektrische gereedschappen moeten probleemloos passen op het stopcontact. Breng nooit wijzigingen aan in of aan de stekker. Gebruik geen adapters voor geaarde elektrische gereedschappen.** Standaardstekkers en passende stopcontacten verkleinen de kans op een elektrische schok.
- Voorkom lichamelijk contact met geaarde oppervlakken van bijvoorbeeld pijpen, leidingen, radiatoren, fornuizen en koelkasten.** Wanneer uw lichaam geaard is, wordt de kans op een elektrische schok groter.
- Stel elektrische gereedschappen nooit bloot aan regen of vocht.** Wanneer er water binnendringt in een elektrisch gereedschap, wordt de kans op een elektrische schok groter.
- Gebruik het snoer niet om het elektrisch gereedschap te dragen, te verplaatsen of de stekker uit het stopcontact te trekken. Bescherm het snoer tegen olie, warmte, scherpe randen en bewegende delen.** Beschadigde of vastzittende snoeren vergroten de kans op een elektrische schok.
- Wanneer u elektrische gereedschappen buiten gebruikt, gebruik dan een verlengkabel die geschikt is voor buitengebruik.** Door een kabel te gebruiken die geschikt is voor buitengebruik, wordt de kans op een elektrische schok kleiner.
- Gebruik een aardlekbeveiliging (RCD) als niet te voorkomen is dat een power tool moet worden gebruikt in een vochtige omgeving.** Gebruik van een RCD vermindert het risico van elektrische schokken.

3) Persoonlijke veiligheid

- Blijf altijd alert, kijk goed wat u doet en gebruik uw gezonde verstand wanneer u een elektrisch gereedschap gebruikt. Gebruik geen elektrische gereedschappen wanneer u moe bent, of**

- drugs, alcohol of medicijnen hebt gebruikt.** Eén moment van onachtzaamheid bij het gebruik van elektrische gereedschappen kan ernstige verwondingen tot gevolg hebben.
- b) **Gebruik persoonlijke beschermingsmiddelen.** Draag altijd een veiligheidsbril. Een gepast gebruik van veiligheidsvoorzieningen, zoals een stof masker, speciale werkschoenen met antislipzolen, een veiligheidshelm en gehoor bescherming verkleinen de kans op persoonlijk letsel.
- c) **Voorkom dat het gereedschap per ongeluk wordt gestart. Zorg dat de schakelaar op de UITpositie staat, voordat u de stekker in het stopcontact steekt.** Draag elektrisch gereedschap nooit met uw vinger op de schakelaar en steek ook nooit de stekker van ingeschakelde elektrische gereedschappen in het stopcontact: dit leidt tot ongelukken.
- d) **Verwijder alle instel en andere sleutels uit het elektrisch gereedschap voordat u hem inschakelt.** Instel en andere sleutels aan een ronddraaiend onderdeel van het elektrisch gereedschap kunnen tot verwondingen leiden.
- e) **Zorg dat u nooit uw evenwicht kunt verliezen; houd altijd twee voeten stevig op de vloer.** Hierdoor kunt u het elektrisch gereedschap in onverwachte situaties beter onder controle houden.
- f) **Zorg dat u geschikte kleding draagt. Draag geen loshangende kleding of sieraden. Houd uw haar, kleding en handschoenen uit de buurt van bewegende delen.** Loshangende kleding, sieraden en lang haar kunnen vast komen te zitten in bewegende delen.
- g) **Wanneer er voorzieningen zijn voor de aansluiting van stofafzuiginstallaties, zorg dan dat ze op de juiste wijze worden aangesloten en gebruikt.** Gebruik van deze voorzieningen vermindert de gevaren die door stof worden veroorzaakt.
- h) **Denk niet dat doordat u gereedschap vaak gebruikt, u wel weet hoe het allemaal werkt en dat u de veiligheidsbeginselen voor het gebruik van het gereedschap wel kunt negeren.** Een onbezonnen actie kan in een fractie van een seconde ernstig letsel tot gevolg hebben.
- 4) Gebruik en onderhoud van elektrisch gereedschap**
- a) **Oefen geen overmatige kracht uit op elektrisch gereedschap. Gebruik het juiste gereedschap voor uw specifieke toepassing.** Met het juiste elektrische gereedschap voert u de taak beter en veiliger uit wanneer dit op de snelheid gebeurt waarvoor het apparaat is ontworpen.
- b) **Gebruik nooit elektrisch gereedschap waarvan de AAN/UITschakelaar niet werkt.** Ieder elektrisch gereedschap dat niet kan worden in en uitgeschakeld met de schakelaar is gevaarlijk en moet worden gerepareerd.
- c) **Trek de stekker uit het stopcontact voordat u wijzigingen aanbrengt aan elektrische gereedschappen, accessoires verwisselt of het elektrisch gereedschap opbergt.** Wanneer u zich aan deze preventieve veiligheidsmaatregelen houdt, beperkt u het risico dat het gereedschap per ongeluk wordt gestart.
- d) **Berg elektrisch gereedschap dat niet in gebruik is op buiten bereik van kinderen en laat personen die niet bekend zijn met het gereedschap of deze instructies het apparaat niet gebruiken.** Elektrisch gereedschap is gevaarlijk in de handen van ongeëfende gebruikers.
- e) **Zorg voor een goed onderhoud van elektrisch gereedschap. Controleer of bewegende delen op de juiste wijze zijn vastgezet. Controleer ook of er geen onderdelen defect zijn of dat er andere omstandigheden zijn die van invloed kunnen zijn op de werking van het gereedschap. Laat het gereedschap bij beschadigingen repareren vóór gebruik.** Veel ongelukken worden veroorzaakt door slecht onderhoud van het gereedschap.
- f) **Zorg dat snij en zaagwerktuigen scherp en schoon blijven.** Goed onderhouden snij en zaagwerktuigen met scherpe randen zullen minder snel vastlopen en zijn eenvoudiger onder controle te houden.
- g) **Gebruik alle elektrische gereedschappen, accessoires, bitjes etc., zoals aangegeven in deze instructies en op de wijze waarvoor het gereedschap is ontworpen. Houd daarbij rekening met de werkomstandigheden en de uit te voeren taak.** Gebruik van elektrisch gereedschap voor handelingen die afwijken van de taken waarvoor het apparaat is ontworpen kunnen leiden tot gevaarlijke situaties.
- h) **Houd handgrepen en greepoppervlakken droog, schoon en vrij van olie en vet.** Gladde handgrepen en greepoppervlakken maken veilig werken en controle over het gereedschap in onverwachte situaties onmogelijk.
- 5) Service**
- a) **Laat uw gereedschap onderhouden door een gekwalificeerde onderhoudstechnicus die**

alleen gebruikmaakt van identieke vervangingsonderdelen. Dit zorgt ervoor dat de veiligheid van de powertool intact blijft.

AANVULLENDE VEILIGHEIDSWAARSCHUWINGEN

- Gebruik geen schuurbladen met te grote afmetingen, maar houd u aan de voorschriften van de fabrikant voor de maten van schuurbladen. Schuurbladen die over de rand van de steunschijf uitsteken, kunnen verwondingen veroorzaken en kunnen tot blokkeren, scheuren van de schuurbladen of terugslag leiden.
- Het afschuren van loodverf wordt afgeraden. Het verwijderen van loodverf mag alleen door een vakman gebeuren.
- Bewerk geen materialen waarbij voor de gezondheid gevaarlijke stoffen (zoals asbest) vrijkomen. Tref veiligheidsmaatregelen wanneer er stoffen kunnen ontstaan die schadelijk voor de gezondheid, brandbaar of explosief zijn. Draag stofmasker! Gebruik een afzuiginstallatie.
- Het schuren van gipskartonplaten en gips kan tot opbouw van statische elektriciteit op het gereedschap leiden. Om uw veiligheid te garanderen, is de wandschuurmachine geaard. Verwijder alleen stof met een geaarde stofafzuiger.
- Bewerk geen materialen die asbest bevatten. Asbest wordt als kankerverwekkend beschouwd.
- Gebruik de machine niet voor het schuren van magnesium werkstukken.
- Draag een veiligheidsbril. Draag gehoorbescherming. Gebruik indien nodig andere beschermingsmiddelen, zoals veiligheidshandschoenen, veiligheidsschoenen, etc.
- Houd de machine vast bij de geïsoleerde oppervlakken op plekken waar het accessoire in contact kan komen met verborgen bedrading of het netsnoer. Indien het accessoire in contact komt met een onder spanning staande draad, kunnen de blootgestelde metalen delen van de machine ook onder spanning komen. Gevaar voor elektrische schok.
- Wees uiterst voorzichtig bij het schuren van geverfde oppervlakken.
- Verwijder voor gebruik alle spijkers en andere metalen voorwerpen uit het werkstuk.
- Zorg ervoor dat het werkstuk correct wordt ondersteund of vastgezet.
- Gebruik uitsluitend schuurpapier dat geschikt is voor gebruik met de machine.

- Gebruik uitsluitend schuurpapier met de juiste afmetingen. Zorg ervoor dat het schuurpapier correct is gemonteerd.
- Controleer het schuurpapier voor ieder gebruik. Gebruik geen schuurpapier dat door langdurig gebruik is versleten.
- Plaats de machine nooit op een tafel of een werkbank voordat deze uitgeschakeld is.

Elektrische veiligheid



Controleer altijd of de spanning van de voedingsstoevoer overeenkomt met de spanning op het typeplaatje.

- Gebruik de machine niet indien het netsnoer of de netstekker zijn beschadigd.
- Gebruik uitsluitend verlengkabels die geschikt zijn voor het vermogen van de machine met een minimale dikte van 1,5 mm². Indien u een verlengkabelhaspel gebruikt, rol dan altijd de kabel volledig uit.

2. TECHNISCHE INFORMATIE

Bedoeld gebruik

De machine is ontworpen voor het schuren van wanden en plafonds, voor het schuren van geplamuurde droogbouw wanden, voor het verwijderen van verf, behang en lijmresten. Het gebruik van doorslijp-, afbraam-, lamellenschijven of draadborstels is niet toegestaan. De machine is niet geschikt voor het verwerken van objecten die asbest bevatten. Foutief gebruik kan het gereedschap beschadigen.

TECHNISCHE SPECIFICATIES

Modelnr.	DS502AC
Spanning	220-240V~
Frequentie	50/60 Hz
Vermogen	1050 W
Toerental onbelast	600-2600/min
Schijfdiameter	Ø 215 mm
Gewicht	5,04 kg
Geluidsdruk L_{PA}	93+3 dB(A)
Geluidsvermogen L_{WA}	104+3 dB(A)
Vibratie	4,16+1,5 m/s ²



Draag gehoorbescherming.

Trillingsniveau

Het trillingsemissieniveau, dat in deze gebruiksaanwijzing wordt vermeld, is gemeten in overeenstemming met een gestandaardiseerde test volgens EN 60745; deze mag worden gebruikt om twee machines met elkaar te vergelijken en als voorlopige beoordeling van de blootstelling aan trilling bij gebruik van de machine voor de vermelde toepassingen.

- Het gebruik van de machine voor andere toepassingen, of met andere of slecht onderhouden accessoires, kan het blootstellingsniveau aanzienlijk verhogen.
- Wanneer de machine is uitgeschakeld of wanneer deze loopt maar geen werk verricht, kan dit het blootstellingsniveau aanzienlijk reduceren.

Bescherm uzelf tegen de gevolgen van trilling door de machine en de accessoires te onderhouden, uw handen warm te houden en uw werkwijze te organiseren.

BESCHRIJVING

De nummers in de tekst verwijzen naar de diagrammen op pagina 2-4.

Afb. A

1. Aan/Uit-schakelaar
2. Snelheidsafstelwiel
3. Scharnier
4. Bovenste handgreep
5. Middelste handgreep
6. Onderste handgreep
7. Stofslangconnector
8. Stofslang
9. Stofzak
10. Klem
11. Riem
12. Kap schuurkussen
13. Scharniervergrendeling
14. Telescopische verlengstok
15. Connector telescopische verlengstok
16. Schuurkussen
17. Schuurpapier
18. Inbussleutelhouder

3. ASSEMBLAGE



Schakel voor assemblage altijd de machine uit en verwijder de netstekker uit het stopcontact.

De opvouwbare buis monteren (Afb. B)

1. Vouw de telescopische buis van de gipsplaat-schuurmachine volledig uit zoals wordt getoond een afbeelding B1.
2. Zet vast met de Scharniervergrendeling (13), zoals wordt getoond in afbeelding B2. Controleer dat de scharniervergrendeling (13) goed is vastgezet. Als u de opvouwbare buis wilt demonteren, hoeft u alleen maar de Scharniervergrendeling (13) te openen. Dan kan de telescopische buis worden ingevouwen.

De telescopische buis monteren (Afb. C)

1. Steek de Telescopische verlengstok (14) in de opening van de middelste handgreep (5), zoals wordt getoond in afbeelding C1. Let erop dat het vlakke deel van de buis moet uitkomen tegenover het vlakke deel van de opening.
2. Zet de connector (15) van de Telescopische verlengstok vast door deze naar rechts te draaien, zoals wordt getoond in afbeelding C2.

NB.: de machine kan ook worden gebruikt zonder de Telescopische verlengstok (14). Hiervoor slaat u deze stap over en monteert u het systeem voor stofafzuiging direct in de middelste handgreep (5), in plaats van in de onderste handgreep (6).

Het systeem voor stofafzuiging monteren (Afb. D)

Het wordt ten zeerste aanbevolen de machine te gebruiken met de stofslang en de stofzak, zodat de stofafzuiging optimaal is.

1. Steek de Stofslang (8) met connectoren (7) in de opening van de onderste handgreep (6), zoals wordt getoond in afbeelding D1. Let erop dat het vlakke deel van de buis moet uitkomen tegenover het vlakke deel van de opening.
2. Zet de connector (7) van de Stofslang vast door deze naar rechts te draaien, zoals wordt getoond in afbeelding D2.

NB: De stofzak moet worden geleegd wanneer deze half vol is, zodat de stofafzuiging optimaal blijft werken.

Schuurpapier plaatsen en verwijderen (Afb. F)

- Houd de machine op z'n zij of ondersteboven, zoals in Afb. E wordt getoond
- Plaats schuurpapier (17) met de vereiste korrel op het schuurkussen (16). Controleer dat de perforatie in het schuurpapier (17) uitkomt op

- de perforatie op het schuurkussen (16).
- U kunt het schuurpapier (17) verwijderen door het eenvoudig van het schuurkussen (16) te trekken.

NB: Gebruik grof schuurpapier voor het schuren van ruwe, ongelijke oppervlakken. Gebruik middelgrof schuurpapier voor het verwijderen van de krassen die overblijven na het gebruik van grof schuurpapier. Gebruik fijn schuurpapier voor het afwerken van oppervlakken.

Het schuurkussen vervangen (Afb. F)



Installeer alleen het schuurkussen dat door de fabrikant voor de machine is opgegeven.

Het schuurkussen verwijderen:

1. Verwijder het schuurpapier (17) van het schuurkussen (16).
2. Steek de meegeleverde inbussleutel in de bout op schuurkussen (16).
3. Draai, terwijl u het schuurkussen (16) stevig vasthoudt, de inbussleutel naar links en draai de zeskantbout los.
4. Het schuurkussen (16) kan nu worden verwijderd.

Het schuurkussen monteren:

1. Monteer het schuurkussen (16) op de machine.
2. Steek de bout in het schuurkussen (16) en de inbussleutel in de bout.
3. Draai, terwijl u het schuurkussen (16) stevig vasthoudt, de inbussleutel naar rechts en draai de zeskantbout vast.

4. GEBRUIK

In- en uitschakelen (Afb. A)

- Schakel de machine in door de Aan/Uit-schakelaar (1) naar boven te verplaatsen.
- Schakel het apparaat uit door op de Aan/Uit-schakelaar (1) naar beneden te verplaatsen.

NB: Aanbevolen wordt de motor na het schuren een korte tijd te laten draaien, zodat het resterende stof in de zak kan worden verzameld.

Snelheidsaanpassing (Afb. A)

De gewenste snelheid kan worden afgesteld met het snelheidsafstelwiel (2). De rotatiesnelheid kan ook tijdens gebruik worden aangepast.

- Verhoog de snelheid door de snelheidsafstelwiel (2) naar rechts te draaien.
- Verlaag de snelheid door de snelheidsafstelwiel (2) naar links te draaien. Welke snelheid nodig is, is afhankelijk van het materiaal en kan door middel van een test in de praktijk worden vastgesteld.

De lengte van de telescopische buis afstellen (Afb. C2)

1. Draai de connector (15) los door deze naar links draaien.
2. Schuif de Telescopische buis in of uit tot de gewenste lengte. Let goed op het waarschuwingsmerkteken op de telescopische buis, dat ter waarborging van de stabiliteit de maximale lengte aangeeft.
3. Draai de connector (15) vast door deze naar rechts te draaien.

De schuurkop vergrendelen (Afb. E)

De beweging van de schuurkop kan worden vergrendeld in een opwaartse positie. Zo kunt u het werkcomfort tijdens het schuren van plafonds verbeteren.

1. Verplaats het schuurkussen (16) in de opwaartse positie, zoals wordt getoond in afbeelding E1
2. Schuif, terwijl u het schuurkussen (16) vasthoudt, de riem (11) over de klem (10), zoals wordt getoond in afbeelding E2.

Als u de beweging van de schuurkop wilt ontgrendelen, hoeft u alleen de riem (11) van de klem (10) te schuiven. De schuurkop kan nu vrij bewegen.

Tips voor optimaal gebruik

- Houd de machine stevig met beide handen vast.
- Schakel de machine in.
- Plaats het schuurkussen met het schuurpapier op het werkstuk.
- Verplaats de machine langzaam over het werkstuk, druk het schuurkussen stevig tegen het werkstuk.
- Oefen niet te veel druk uit op de machine. Laat de machine het werk doen.
- Schakel de machine uit, wacht tot de machine volledig tot stilstand is gekomen en leg de machine dan pas meer.

5. ONDERHOUD



Zorg dat de machine niet onder spanning staat wanneer onderhoudswerkzaamheden aan het mechaniek worden uitgevoerd.

Reinig de machinebehuizing regelmatig met een zachte doek, bij voorkeur iedere keer na gebruik. Zorg dat de ventilatiesleuven vrij van stof en vuil zijn. Gebruik bij hardnekkig vuil een zachte doek bevochtigd met zeepwater. Gebruik geen oplosmiddelen als benzine, alcohol, ammonia, etc. Dergelijke stoffen beschadigen de kunststof onderdelen.

VONROC aansprakelijk worden gesteld voor incidentele schade of gevolgschade. Reparaties van dealers zijn gelimiteerd tot de reparatie of vervanging van defecte producten of onderdelen.

Het product en de gebruikershandleiding zijn onderhevig aan wijzigingen. Specificaties kunnen zonder opgaaf van redenen worden gewijzigd.

MILIEU



Defecte en/of afgedankte elektrische of elektronische gereedschappen dienen ter verwerking te worden aangeboden aan een daarvoor verantwoordelijke instantie.

Uitsluitend voor EG-landen

Werp elektrisch gereedschap niet weg bij het huisvuil. Conform de Europese Richtlijn 2012/19/EG voor Afgedankte Elektrische en Elektronische Apparatuur en de implementatie ervan in nationaal recht moet niet langer te gebruiken elektrisch gereedschap gescheiden worden verzameld en op een milieuvriendelijke wijze worden verwerkt.

GARANTIE

VONROC producten zijn ontworpen volgens de hoogste kwaliteitsstandaarden en gegarandeerd vrij van defecten, zowel materieel als fabrieksfouten, tijdens de wettelijk vastgestelde garantieperiode vanaf de eerste aankoopdatum. Mocht het product tijdens deze periode gebreken vertonen veroorzaakt door defecte materialen en/of fabrieksfouten, neem dan rechtstreeks contact op met VONROC.

De volgende situaties vallen niet onder de garantie:

- Er zijn reparaties of aanpassingen aan de machine uitgevoerd, of er is een poging daartoe ondernomen, door een nietgeautoriseerd servicecentrum.
- Normale slijtage.
- De machine is misbruikt, verkeerd gebruikt of slecht onderhouden.
- Er zijn niet-originele reserveonderdelen gebruikt

Dit vormt de enige garantie opgesteld door het bedrijf zowel expliciet als impliciet. Er bestaan geen andere garanties expliciet of impliciet welke verder gaan dan deze garantie, inclusief impliciete garanties van verkoopbaarheid en geschiktheid voor bepaalde doeleinden. In geen enkel geval kan

1. CONSIGNES DE SÉCURITÉ

En plus des avertissements de sécurité suivants, veuillez également lire les avertissements de sécurité additionnels ainsi que les instructions. Le non-respect des avertissements de sécurité et des instructions peut entraîner une décharge électrique, un incendie et/ou des blessures graves. Veuillez conserver les avertissements de sécurité et les instructions pour consultation ultérieure.

Les symboles suivants sont utilisés dans le manuel d'utilisation ou apposés sur le produit:



Lisez le manuel d'utilisation.



Signale un risque de blessures, un danger mortel ou un risque d'endommagement de l'outil en cas de non-respect des instructions de ce manuel.



Risque d'électrocution.



Variateur électronique de vitesse.



*Portez des lunettes de protection.
Portez une protection auditive.*



Portez un masque anti-poussière.



Machine de classe II - Double isolation - Vous n'avez pas besoin de prise avec mise à la terre.



Le produit est conforme aux normes de sécurité applicables des directives européennes.

CONSIGNES GÉNÉRALES DE SÉCURITÉ



AVERTISSEMENT! Veuillez lire l'intégralité des avertissements de sécurité et des instructions. Le nonrespect de toutes les instructions indiquées cidessous peut entraîner un risque de choc électrique, d'incendie et/ou de blessures graves.

Conservez ces instructions.

Le terme "appareil électrique" mentionné dans tous les avertissements cidessous se rapporte à un appareil électrique qui se branche au réseau électrique (grâce à un câble d'alimentation) ou à un

appareil électrique (sans fil) fonctionnant grâce à une batterie.

1) Espace de travail

- a) **Veillez toujours à garder votre espace de travail propre et bien éclairé.** Les espaces mal rangés et sombres peuvent être la cause d'accidents.
- b) **N'utilisez pas les appareils électriques dans des environnements susceptibles d'explosion, par exemple en présence de liquides inflammables, de gaz ou de particules.** Les appareils électriques provoquent des étincelles qui peuvent enflammer les particules des émanations.
- c) **Veillez à garder éloignés les enfants et les personnes se trouvant dans votre voisinage, lors de l'utilisation d'un appareil électrique.** Les distractions peuvent vous faire perdre le contrôle de l'appareil.

2) Mesures de sécurité électriques

- a) **Les prises des appareils électriques doivent être raccordées à la prise murale correspondante. Ne modifiez jamais la prise de l'appareil, de quelque façon que ce soit. N'utilisez pas d'adaptateurs qui mettent les appareils électriques à la terre (mise à la masse).** Des prises non modifiées et branchées à la prise murale correspondante réduiront les risques de choc électrique.
- b) **Évitez le contact direct avec les surfaces mises à la terre ou mises à la masse comme les canalisations, les radiateurs, les cuisinières et les réfrigérateurs.** En effet, le risque de choc électrique s'accroît si votre corps est mis à la terre ou à la masse.
- c) **N'utilisez pas d'outils électriques dans des environnements pluvieux ou humides.** Si de l'eau s'introduit dans un appareil électrique, le risque de choc électrique augmentera.
- d) **N'utilisez pas le câble de manière abusive. N'utilisez jamais le câble pour transporter, tirer ou débrancher l'appareil électrique. Veillez à garder le câble éloigné des sources de chaleur, des huiles, des rebords coupants ou des pièces actionnées.** Les câbles endommagés ou entremêlés augmentent le risque de choc électrique.
- e) **Lorsque un appareil est utilisé à l'extérieur, utilisez uniquement un câble prolongateur prévu à cet effet.** L'utilisation d'un câble à usage extérieur réduit le risque de choc électrique.
- f) **Si vous êtes contraint d'utiliser un outil électrique dans un environnement humide, utilisez**

une alimentation protégée par un dispositif à courant résiduel (RCD). L'utilisation d'un RCD réduit le risque de décharge électrique.

3) Sécurité personnelle

- a) **Restez vigilant, gardez un œil sur ce que vous faites et utilisez votre sens commun lors de l'utilisation d'un appareil électrique. N'utilisez pas un appareil électrique si vous êtes fatigué ou si vous êtes sous l'influence de drogues, d'alcool ou si vous prenez des médicaments.** Un moment d'inattention lors de l'utilisation des appareils électriques peut entraîner des blessures graves.
- b) **Utilisez un équipement de protection personnelle. Protégez-vous toujours les yeux.** Les équipements de protection, tels qu'un masque à poussière, des chaussures antidérapantes, des protections auditives ou un casque de sécurité, utilisés dans de bonnes conditions, réduiront le risque de blessures.
- c) **Prévenez tout démarrage involontaire. Assurez-vous que l'interrupteur est sur la position "arrêt avant de brancher l'appareil.** En effet, le transport des appareils électriques en gardant vos doigts sur l'interrupteur, ou le branchement de ces appareils en ayant l'interrupteur sur "marche accidents.
- d) **Retirez les clés de réglage ou les clés de vis de réglage avant d'allumer l'appareil électrique.** Une clé de vis de réglage ou une clé, laissée sur une pièce en mouvement de l'appareil électrique, peut entraîner des lésions corporelles.
- e) **Ne pas se précipiter. Gardez toujours vos pieds à plat et gardez votre équilibre.** Ceci permet de mieux contrôler l'appareil électrique dans des situations imprévues.
- f) **Habillez-vous convenablement. Ne portez pas de vêtements lâches ou de bijoux. Gardez vos cheveux, vêtements et gants éloignés des pièces actionnées.** En effet, ces derniers peuvent être pris dans les pièces en action.
- g) **Si les appareils sont fournis pour la connexion des équipements d'évacuation et de récupération de la poussière, assurez-vous que ces derniers soient correctement connectés et utilisés.** L'utilisation de ces appareils peut réduire les risques liés à la poussière.
- h) **Ne pensez pas être familiarisé avec l'outil après l'avoir utilisé à de nombreuses reprises, au point de ne plus rester vigilant et d'en oublier les consignes de sécurité.** Toute action impru-

dente peut engendrer de graves blessures en une fraction de seconde.

4) Utilisation et entretien d'un appareil électrique

- a) **Ne forcez pas l'appareil électrique. Utilisez l'appareil électrique adéquat pour votre application.** Un appareil électrique correctement choisi assurera un meilleur travail et un travail sans danger, au rythme auquel il a été conçu.
- b) **N'utilisez pas l'appareil électrique si l'interrupteur marche/arrêt ne fonctionne pas.** Un appareil électrique qui ne peut pas être commandé par l'interrupteur de contrôle est dangereux et doit être réparé.
- c) **Débranchez la prise du bloc d'alimentation avant d'effectuer des réglages, de changer des accessoires, ou de ranger les appareils électriques.** Ces mesures de sécurité préventives réduiront le risque de démarrage involontaire de l'appareil électrique.
- d) **Rangez les appareils électriques arrêtés hors de la portée des enfants et ne laissez aucune personne, non familiarisée avec l'outil ou ces instructions, utiliser l'appareil électrique.** Les appareils électriques sont dangereux entre les mains d'utilisateurs non formés.
- e) **Entretenez les appareils électriques. Vérifiez tout défaut d'alignement et l'enchaînement des pièces actionnées, la rupture de ces dernières, et les autres conditions qui peuvent affecter le fonctionnement des appareils électriques. En cas de dommages, faites réparer l'appareil électrique avant de le réutiliser.** Nombreux sont les accidents provoqués par des appareils électriques mal entretenus.
- f) **Veillez à garder les outils coupants aiguisés et propres.** Des outils coupants correctement entretenus avec des lames aiguisées sont moins susceptibles de se bloquer et sont plus faciles à contrôler.
- g) **Utilisez l'appareil électrique, les accessoires et les embouts, etc., conformément à ces instructions et de la manière prévue pour le type spécifique de l'appareil électrique, en prenant en compte les conditions de travail et le travail à effectuer.** L'utilisation de l'appareil électrique dans des applications différentes de celles prévues peut entraîner des situations dangereuses.
- h) **Gardez les poignées et les surfaces de préhension sèches, propres et exemptes d'huile et de graisse.** Des poignées et des surfaces de

préhension glissantes ne permettent pas de manipuler et de contrôler l'outil correctement en cas de situations inattendues.

5) Maintenance

- a) **L'entretien de votre outil électrique doit être confié à un réparateur qualifié qui utilise uniquement des pièces de rechange identiques aux pièces d'origine.** Cela permet d'assurer la sécurité de l'outil électrique.

AVERTISSEMENTS DE SÉCURITÉ ADDITIONNELS

- N'utilisez pas de disque de ponçage surdimensionné et respecter les indications du fabricant relatives à la taille des disques de ponçage. Les disques de ponçage qui dépassent du plateau peuvent provoquer des blessures, ils peuvent se bloquer, se déchirer et provoquer un recul brutal.
- Le ponçage de peintures au plomb est déconseillé. L'enlèvement de peintures au plomb est une opération réservée à un spécialiste.
- Ne traitez jamais de matériaux d'où pourraient se dégager des substances dangereuses pour la santé (l'amiante par exemple). Prenez des mesures de protection si le travail risque de générer des poussières dangereuses pour la santé, inflammables ou explosives. Portez des masque anti-poussière. Utilisez des installations d'aspiration.
- Le ponçage de panneaux de carton-plâtre ou de plâtre peut provoquer une accumulation d'électricité statique au niveau de l'outil. Pour aspirer, n'utilisez que des aspirateurs reliés à la terre.
- Ne travaillez pas sur des matériaux contenant de l'amiante. L'amiante est considéré comme carcinogène.
- N'utilisez pas la machine pour poncer des pièces à ouvrir contenant du magnésium.
- Portez des lunettes de protection. Portez une protection auditive. Si nécessaire, utilisez d'autres équipements de protection: gants de sécurité, chaussures de sécurité, etc.
- Tenez la machine par les surfaces de poignée isolées lorsque l'accessoire peut toucher des câblages cachés ou le cordon secteur. Si l'accessoire touche un fil sous tension, les pièces métalliques exposées de la machine peuvent également être sous tension. Risque d'électrocution.
- Faites très attention en ponçant des surfaces peintes.

- Avant l'usage, retirez tous les clous et autres objets métalliques de la pièce à ouvrir.
- Assurez-vous que la pièce à ouvrir est correctement soutenue ou fixée.
- Utilisez uniquement du papier de ponçage adapté à cette machine.
- Utilisez uniquement du papier de ponçage aux dimensions correctes. Veillez à ce que le papier de ponçage soit correctement monté.
- Vérifiez le papier de ponçage avant chaque utilisation. N'utilisez pas un papier de ponçage usé par un usage prolongé.
- Ne posez jamais la machine sur une table ou un établi sans l'avoir mise hors tension.

Sécurité électrique



Vérifiez que la tension d'alimentation correspond à la tension nominale indiquée sur la plaque signalétique.

- N'utilisez pas la machine si le câble secteur ou la fiche secteur est endommagé.
- Utilisez uniquement des rallonges adaptées à la puissance nominale de la machine et d'une section minimum de 1,5 mm². Si vous utilisez une bobine de rallonge, déroulez toujours complètement le câble.

2. INFORMATIONS RELATIVES À LA MACHINE

Utilisation prévue

La machine est conçue pour poncer les murs et les plafonds, pour poncer les cloisons sèches lissées, pour enlever la peinture, le papier peint et les restes d'adhésif. L'utilisation de disques de tronçonnage, à dégrossir, disques de meulage à éventail ou de brosses à crins métalliques n'est pas permise. La machine ne convient pas au traitement d'objets contenant de l'amiante. Une utilisation incorrecte peut endommager l'outil.

SPÉCIFICATIONS TECHNIQUES

N° de modèle	DS502AC
Tension	220-240V ~
Fréquence	50/60 Hz
Puissance	1050W
Vitesse à vide	600-2600/min
Diamètre patin de ponçage	Ø 215 mm

Diamètre papier abrasif	5.04 kg
Poids	93+3 dB(A)
Pression acoustique L_{PA}	104+3 dB(A)
Puissance acoustique L_{WA}	4.16+1.5 m/s ²
Vibration	3,84+1,5 m/s ²



Portez une protection auditive.

Niveau de vibrations

Le niveau des vibrations émises, indiqué dans ce manuel, a été mesuré conformément à la procédure décrite par la norme EN60745. Il peut être utilisé pour comparer deux outils ou pour réaliser une estimation préalable de l'exposition aux vibrations lors de l'utilisation de l'outil pour les applications mentionnées.

- L'utilisation de l'outil dans d'autres applications ou avec des accessoires différents ou mal entretenus peut considérablement augmenter le niveau d'exposition.
- La mise hors tension de l'outil et sa non-utilisation pendant qu'il est allumé peuvent considérablement réduire le niveau d'exposition.

Protégez-vous contre les effets des vibrations par un entretien correct de l'outil et de ses accessoires, en vous échauffant les mains et en organisant vos rythmes de travail.

DESCRIPTION

Les numéros dans le texte se rapportent aux schémas de la page 2-4.

Fig. A

1. Interrupteur Marche/Arrêt
2. Mollette de réglage de la vitesse
3. Charnière
4. Poignée supérieure
5. Poignée centrale
6. Poignée inférieure
7. Raccord pour le tuyau à poussière
8. Tuyau à poussière
9. Sac à poussière
10. Clip
11. Lanière
12. Cache du patin de ponçage
13. Système de verrouillage de la charnière
14. Rallonge télescopique
15. Raccord de la rallonge télescopique

16. Patin de ponçage
17. Papier abrasif
18. Porte-clé à 6 pans

3. MONTAGE



Avant le montage, mettez toujours la machine hors tension et débranchez la fiche de la prise secteur.

Assembler le tube pliable (Fig. B)

1. Dépliez complètement le tube télescopique de la ponceuse de cloison sèche, comme illustré par la figure B1.
2. Fixez-la à l'aide du système de verrouillage de la charnière (13), comme illustré par la figure B2. Assurez-vous que le système de verrouillage de la charnière (13) est correctement enclenché. Pour démonter le tube pliable, libérez simplement le système de verrouillage de la charnière (13). Le tube télescopique peut alors être replié.

Assembler le tube télescopique (Fig. C)

1. Insérez la rallonge télescopique (14) dans l'ouverture de la poignée centrale (5), comme illustré par la figure C1. Veillez à ce que la partie plate du tube soit alignée avec la partie plate de l'ouverture.
2. Fixez le raccord de la rallonge télescopique (15) en le tournant dans le sens des aiguilles d'une montre, comme illustré par la figure C2.

Remarque : la machine peut également être utilisée sans la rallonge télescopique (14). Pour ce faire, ignorez cette étape et assemblez le système d'extraction des poussières directement dans la poignée centrale (5), plutôt que dans la poignée inférieure (6).

Assembler le système d'extraction des poussières (Fig. D)

Il est fortement recommandé d'utiliser la machine avec le tuyau à poussière et le sac à poussière, afin d'assurer une extraction optimale des poussières.

1. Insérez le tuyau à poussière (8) avec le raccord (7) dans l'ouverture de la poignée inférieure (6), comme illustré par la figure D1. Veillez à ce que la partie plate du tube soit alignée avec la partie plate de l'ouverture.
2. Fixez le raccord du tuyau à poussière (7) en le tournant dans le sens des aiguilles d'une montre, comme illustré par la figure D2.

Remarque : Le sac à poussière doit être vidé lorsqu'il est moitié-plein afin que l'extraction des poussières reste optimale.

Installer et retirer le papier abrasif (Fig. F)

- Tenez la machine sur le côté ou à l'envers, comme illustré par la Fig. E
- Installez du papier abrasif (17) avec la bonne grosseur de grains sur le patin de ponçage (16). Assurez-vous que les trous du papier abrasif (17) correspondent aux trous du patin de ponçage (16).
- Pour retirer le papier abrasif (17), soulevez-le simplement du patin de ponçage (16).

Remarque : Utilisez un papier abrasif à gros grains pour les ponçages grossiers de surfaces irrégulières. Utilisez du papier moyen pour supprimer les rayures restantes faites par le papier abrasif à gros grains. Utilisez un papier abrasif fin pour la finition des surfaces.

Remplacer le patin de ponçage (Fig. F)



N'installez sur la machine que des patins de ponçage spécifiés par le fabricant.

Retirer le patin de ponçage :

1. Retirez le papier abrasif (17) du patin de ponçage (16).
2. Insérez la clé à six pans fournie dans le boulon situé sur le patin de ponçage (16).
3. Tout en maintenant fermement le patin de ponçage (16), tournez la clé dans le sens inverse des aiguilles d'une montre pour desserrer le boulon à six pans.
4. Le patin de ponçage (16) peut alors être retiré.

Installer le patin de ponçage :

1. Positionnez le patin de ponçage (16) sur la machine.
2. Insérez le boulon dans le patin de ponçage (16) et insérez la clé à six pans dans le boulon.
3. Tout en maintenant fermement le patin de ponçage (16), tournez la clé dans le sens des aiguilles d'une montre pour serrer le boulon à six pans.

4. FONCTIONNEMENT

Mise en marche et extinction (Fig. A)

- Pour allumer la machine, déplacez l'interrupteur Marche/Arrêt (1) vers le haut.
- Pour éteindre la machine, déplacez l'interrupteur Marche/Arrêt (1) vers le bas.

Remarque : Il est recommandé de laisser le moteur tourner pendant un court laps de temps après le ponçage afin que la poussière restante puisse être récupérée dans le sac.

Réglage de la vitesse (Fig. A)

La vitesse requise peut être réglée à l'aide de la molette de réglage de la vitesse (2). La vitesse de rotation peut également être ajustée pendant le fonctionnement.

- Afin d'augmenter la vitesse, tournez le bouton de réglage de la vitesse (2) dans le sens des aiguilles d'une montre.
- Afin de diminuer la vitesse, tournez le bouton de réglage de la vitesse (2) dans le sens inverse des aiguilles d'une montre.

La vitesse requise dépend du matériau et elle peut être définie après des tests pratiques.

Réglage de la longueur du tube télescopique (Fig. C2)

1. Desserrez le raccord (15) en le tournant dans le sens inverse des aiguilles d'une montre.
2. Sortez ou rentrez le tube télescopique à la longueur voulue. Respectez le repère sur le tube télescopique, il indique la longueur maximum pour assurer la stabilité.
3. Serrez le raccord (15) en le tournant dans le sens des aiguilles d'une montre.

Verrouiller la tête de ponçage (Fig. E)

La tête de ponçage peut être verrouillée en position haute. De cette façon, le ponçage des plafonds est plus confortable.

1. Déplacez le patin de ponçage (16) en position haute, comme illustré par la figure E1
2. Toute en tenant le patin de ponçage (16), glissez la lanière (11) par-dessus le clip (10), comme illustré par la figure E2.

Pour déverrouiller la tête de ponçage, retirez simplement la lanière (11) du clip (10) en le glissant en dehors. La tête de ponçage peut alors bouger librement.

Conseils pour une utilisation optimale

- Tenez fermement la machine à deux mains.
- Allumez la machine.
- Placez le patin de ponçage muni de papier abrasif sur l'ouvrage.
- Déplacez lentement la machine, en appuyant fermement le patin de ponçage sur l'ouvrage.
- N'appuyez pas trop sur la machine. Laissez-la travailler.
- Éteignez la machine et attendez qu'elle soit parfaitement immobile avant de la poser.

5. ENTRETIEN



Si vous voulez procéder à des travaux d'entretien sur le mécanisme, mettez la machine hors secteur.

Nettoyez le corps de la machine régulièrement au moyen d'un chiffon doux, de préférence après chaque utilisation. Vérifiez que les ouvertures d'aération ne sont pas obstruées ni sales. Utilisez un chiffon doux légèrement humidifié avec de la mousse de savon pour nettoyer les taches persistantes. N'utilisez pas de produits de nettoyage tels que l'essence, l'alcool, l'ammoniac, etc.; ces produits peuvent endommager les parties synthétiques.

ENVIRONNEMENT



Les équipements électroniques ou électriques défectueux ou destinés à être mis au rebut doivent être déposés aux points de recyclage appropriés.

Uniquement pour les pays de l'UE

Ne jetez pas les outils électriques avec les déchets domestiques. Selon la Directive européenne 2012/19/CE relative aux déchets d'équipements électriques et électroniques et sa mise en œuvre dans le droit national, les outils électriques hors d'usage doivent être collectés séparément et mis au rebut de manière écologique.

GARANTIE

Les produits VONROC sont développés aux plus hauts standards de qualité et ils sont garantis contre les défauts de pièces et de main d'oeuvre pendant la durée légale stipulée à partir de la date d'achat d'origine du produit. En cas d'une quelconque

panne du produit pendant cette durée qui serait due à un défaut matériel et/ou de main d'oeuvre, contactez directement VONROC.

Les circonstances suivantes ne sont pas prises en charge par la garantie:

- Des réparations ou altérations ont été effectuées ou tentées sur la machine par un centre de réparation non agréé.
- L'usure normale.
- L'outil a été maltraité, mal utilisé ou mal entretenu.
- Des pièces détachées non d'origine ont été utilisées

Ceci constitue l'unique garantie accordée par la société explicitement ou implicitement. Il n'existe aucune autre garantie, explicite ou implicite, qui peut s'étendre au delà du contenu ici présent, y compris les garanties marchandes ou d'adaptation à des fins particulières. En aucun cas VONROC ne sera tenu responsable de dommages accidentels ou consécutifs. Les solutions proposées par les revendeurs devront se limiter à la réparation ou le remplacement des éléments ou pièces non conformes.

Le produit et le manuel d'utilisation sont sujets à modifications. Les spécifications peuvent changer sans préavis.

1. INSTRUCCIONES DE SEGURIDAD

Lea las advertencias de seguridad, las advertencias de seguridad adicionales y las instrucciones adjuntas. De no respetarse las advertencias de seguridad y las instrucciones, podrían producirse descargas eléctricas, incendios y/o lesiones graves. Conserve las advertencias de seguridad y las instrucciones para su posterior consulta.

Los siguientes símbolos se utilizan en el manual de usuario o en el producto:



Lea el manual de usuario.



Denota riesgo de lesiones personales, pérdida de vida o daños a la herramienta en caso de incumplimiento de las instrucciones del presente manual.



Riesgo de choque eléctrico



Velocidad electrónica variable



Lleve gafas de seguridad.
Lleve protección auditiva.



Lleve una máscara antipolvo.



Máquina de clase II - Doble aislamiento - No necesita enchufe con puesta a tierra.



El producto es conforme con las normas de seguridad vigentes en las Directivas Europeas.

INSTRUCCIONES GENERALES DE SEGURIDAD



PRECAUCIÓN! Lea todas las advertencias de seguridad y todas las instrucciones. Si no lo hace, el uso indebido puede acarrear cortocircuitos, fuego o lesiones graves.

Conserve estas instrucciones.

El término "herramienta eléctrica", en todas las advertencias enumeradas a continuación se refiere a su herramienta eléctrica (i nalámbrica) que funciona con una batería o a través de la red eléctrica.

1) Área de trabajo

- Trabaje en un lugar limpio y bien iluminado. Lugares no iluminados o sucios propician accidentes.

- No use herramientas eléctricas donde haya riesgo de fuego o explosión, p.ej: cerca de líquidos o gases inflamables, polvo etc. Las herramientas eléctricas producen chispas que pueden producir la ignición de partículas de humo.
- Mantenga a los niños y otras personas alejados mientras utiliza la herramienta eléctrica. Las distracciones pueden hacer que pierda el control de la herramienta.

2) Seguridad eléctrica

- Cerciórese de que las clavijas de la herramienta eléctrica están correctamente enchufadas. Nunca modifique la clavija. No utilice ningún adaptador para la clavija de una herramienta eléctrica con conexión a tierra. Las clavijas que no se hayan cambiado y los enchufes adecuados reducen el riesgo de cortocircuitos.
- Evite el contacto humano con superficies con conexiones a tierra como tubos metálicos, conductos, tubos de la calefacción, radiadores y refrigeradores. El riesgo de cortocircuitos es mayor cuando el cuerpo está en contacto con el suelo.
- No use herramientas eléctricas bajo la lluvia o en entornos húmedos. Si entra agua en una herramienta eléctrica aumenta el riesgo de cortocircuito.
- No utilice el cable para todo. Nunca utilice el cable para mover la máquina, empujarla o sacar la clavija del enchufe. Mantenga el cable alejado del calor, aceite, zonas cortantes o piezas en movimiento. Los cables dañados o enredados aumentan el riesgo de cortocircuito.
- Use un cable alargador impermeable adecuado para exteriores cuando trabaje con la herramienta eléctrica al aire libre.
El riesgo de cortocircuito es menor si utiliza un cable alargador adecuado para exteriores.
- Si no se puede evitar el uso de la herramienta eléctrica en un lugar húmedo, use suministro protegido mediante dispositivo diferencial residual (DDR). El uso de un DDR reduce el riesgo de choque eléctrico.

3) Seguridad personal

- No se descuide, preste atención a lo que está haciendo y utilice el sentido común mientras trabaje con esta herramienta. No use herramientas eléctricas cuando esté cansado o esté bajo los efectos del alcohol, las drogas o los medicamentos. Un momento de distracción,

mientras utilice la herramienta eléctrica, puede provocar lesiones personales graves.

- b) **Use equipo de protección individual. Use siempre gafas protectoras.** El uso en condiciones apropiadas del equipo de seguridad como por ejemplo: mascarilla antipolvo, zapatos antideslizantes de seguridad, casco o protección para los oídos, disminuye el riesgo de sufrir lesiones personales.
 - c) **Evite arranques involuntarios. Asegúrese de que el interruptor está en la posición de apagado antes de conectarlo a la fuente de electricidad.** Transportar herramientas eléctricas con el dedo puesto sobre el interruptor o enchufarlas con el interruptor encendido puede causar accidentes.
 - d) **Quite cualquier llave de ajuste antes de encender la herramienta eléctrica.** Una llave olvidada junto a una pieza móvil de la herramienta eléctrica puede provocar lesiones personales graves.
 - e) **No se estire demasiado. Mantenga siempre el equilibrio y tenga los pies en el suelo.** Esto permite un mayor control de la herramienta eléctrica en situaciones inesperadas.
 - f) **Vístase apropiadamente. No lleve prendas holgadas o joyas. Mantenga su pelo, ropa y guantes alejados de las piezas móviles.** Las prendas holgadas, las joyas y el pelo largo pueden quedar atrapados en las piezas móviles.
 - g) **Si se han suministrado dispositivos para la extracción y recogida de polvo asegúrese de que estos estén conectados y se utilicen correctamente.** El uso de estos dispositivos puede reducir los riesgos relacionados con el polvo.
 - h) **No permita que la familiaridad adquirida con el uso frecuente de las herramientas le haga confiarse e ignorar los principios de seguridad de las herramientas.** Una acción descuidada puede causar lesiones graves en una fracción de segundo.
- 4) Utilización y cuidados de la herramienta eléctrica**
- a) **No fuerce la herramienta eléctrica. Utilice la herramienta eléctrica adecuada para el trabajo que vaya a realizar.** Una herramienta eléctrica apropiada realizará un trabajo mejor y más seguro si se utiliza para el objetivo con el que ha sido diseñada.
 - b) **No use herramientas que no pueden encenderse o apagarse con el interruptor.** Las herramientas que ya no se puedan encender y apagar son peligrosas y deben repararse.
 - c) **Desenchufe la clavija de la toma de electricidad**

antes de realizar modificaciones, cambiar accesorios o guardar las herramientas eléctricas.

Tales medidas de seguridad preventivas reducen el riesgo de la puesta en marcha accidental.

- d) **Mantenga a los niños alejados de una herramienta eléctrica sin utilizar y no permita a personas que no estén familiarizadas con la máquina o estas instrucciones utilizar la herramienta.** La herramienta eléctrica puede ser peligrosa cuando la utilicen personas sin experiencia.
- e) **Conserve sus herramientas cuidadosamente. Verifique cualquier desalineación o agarrotamiento de piezas móviles, piezas dañadas y cualquier otra causa, que pudiera repercutir en el buen funcionamiento de la herramienta eléctrica. Si la herramienta está estropeada, repárela antes de utilizarla.** Muchos de los accidentes están causados por un mantenimiento insuficiente del equipo eléctrico.
- f) **Mantenga las herramientas de corte limpias y afiladas.** Sierras con esquinas cortantes con un buen mantenimiento se bloquean menos y son más fáciles de controlar.
- g) **Utilice la herramienta eléctrica, accesorios y brocas etc. Siguiendo las instrucciones atendiendo al tipo de herramienta eléctrica y tenga en cuenta las condiciones de trabajo y el tipo de trabajo que se va a realizar.** Puede ser peligroso realizar trabajos con la herramienta diferentes de aquellos para los que está diseñada.
- h) **Mantenga las asas y las superficies de agarre secas, limpias y libres de aceite y grasa.** Las asas y las superficies de agarre resbaladizas no permiten un manejo y control seguros de la herramienta en situaciones inesperadas.

5) Servicio

- a) **Haga reparar su herramienta eléctrica por una persona cualificada, usando solo piezas de repuesto idénticas.** Esto garantiza que se mantenga la seguridad de la herramienta eléctrica.

INSTRUCCIONES DE SEGURIDAD ADICIONALES

- No utilice hojas de lijar demasiado grandes, respete las especificaciones del fabricante sobre el tamaño de las hojas de lijar. Las hojas de lijar que sobresalen de la almohadilla para lijar pueden causar lesiones, bloquear y rasgar las hojas de lijar o causar contragolpes.
- Se recomienda no lijar pintura al plomo. La pintura al plomo debe ser removida solo por un

- especialista.
- No trabaje en materiales que liberen sustancias peligrosas (p. ej., amianto). Tome precauciones si es probable que se genere polvo peligroso, combustible o explosivo. Use mascarilla protectora antipolvo. Utilice un sistema de extracción de polvo.
- Si lija placas de yeso o yeso, puede que se acumule electricidad estática en la herramienta. Para garantizar su seguridad, la lijadora de pared está conectada a tierra. Elimine el polvo solo con un extractor de polvo conectado a tierra.
- No trabaje con materiales que contengan amianto. El amianto se considera cancerígeno.
- No utilice la máquina para lijar piezas de trabajo de magnesio.
- Use gafas de seguridad. Use protectores auditivos. Si es necesario, utilice otros medios de protección, como guantes de seguridad, zapatos de seguridad, etc.
- Sujete la máquina por las superficies de agarre aisladas cuando el accesorio puede entrar en contacto con cables ocultos o con el cable de red. Si el accesorio entra en contacto con un cable bajo tensión, las partes metálicas expuestas de la máquina también pueden cargarse de tensión. Riesgo de choque eléctrico.
- Tenga mucho cuidado cuando lije superficies pintadas.
- Antes de lijar, retire todos los clavos y otros objetos metálicos que pudiera tener la pieza de trabajo.
- Asegúrese de que la pieza de trabajo esté bien apoyada o fijada.
- Utilice únicamente papel de lijar apto para lijar con la máquina.
- Utilice únicamente papel de lijar de las dimensiones correctas. Asegúrese de que el papel de lijar esté bien montado.
- Inspeccione el papel de lijar antes de cada uso. No utilice papel de lijar desgastado por el uso prolongado.
- Nunca deje la máquina sobre una mesa o un banco de trabajo sin haberla desconectado.

Seguridad eléctrica



Compruebe siempre que la tensión del suministro eléctrico corresponda con la tensión de la placa de características.

- No utilice la máquina si el cable o el enchufe eléctrico han sufrido daños.
- Utilice únicamente cables alargadores que sean adecuados para la potencia nominal de la máquina con un grosor mínimo de 1,5 mm². Si utiliza un cable alargador en rollo, desenrolle totalmente el cable.

2. INFORMACIÓN DE LA MÁQUINA

Uso previsto

La máquina ha sido diseñada para lijar paredes y cielorrasos, lijar paneles de cartón yeso, eliminar pintura, papel pintado y restos de adhesivo. No está permitido usarla con discos de corte, discos de desbaste, discos de amolado en forma de abanico o cepillos de alambre. La máquina no es adecuada para procesar objetos que contengan amianto. El uso inadecuado puede dañar la herramienta.

ESPECIFICACIONES TÉCNICAS

Modelo n.º	DS502AC
Tensión de red	220-240V ~
Frecuencia de red	50/60 Hz
Entrada de alimentación	1050W
Velocidad sin carga	600-2600/min
Diámetro del disco	Ø 215 mm
Peso	5.04 kg
Nivel de presión acústica L _{PA}	93+3 dB(A)
Nivel de presión acústica L _{WA}	104+3 dB(A)
Vibración	4,16 +1,5 m/s ²



Lleve protección auditiva.

Nivel de vibración

El nivel de emisión de vibraciones indicado en este manual de instrucciones ha sido medido según una prueba estándar proporcionada en EN 60745; puede utilizarse para comparar una herramienta con otra y como valoración preliminar de la exposición a las vibraciones al utilizar la herramienta con las aplicaciones mencionadas

- al utilizarla para distintas aplicaciones o con accesorios diferentes o con un mantenimiento deficiente, podría aumentar de forma notable el nivel de exposición

- en las ocasiones en que se apaga la herramienta o cuando está funcionando pero no está realizando ningún trabajo, se podría reducir el nivel de exposición de forma importante

Protéjase contra los efectos de la vibración realizando el mantenimiento de la herramienta y sus accesorios, manteniendo sus manos calientes y organizando sus patrones de trabajo.

DESCRIPCIÓN

Los números del texto se refieren a los diagramas de las páginas 2 - 4

1. Interruptor de encendido/apagado
2. Botón de ajuste de velocidad
3. Articulación
4. Empuñadura superior
5. Empuñadura central
6. Empuñadura inferior
7. Conector de la manguera de polvo
8. Manguera de polvo
9. Bolsa colectora de polvo
10. Presilla
11. Correa
12. Tapa de la almohadilla para lijar
13. Traba de la articulación
14. Extensión telescópica
15. Conector de la extensión telescópica
16. Almohadilla para lijar
17. Papel de lijar
18. Soporte de llave hexagonal

3. MONTAJE



Antes del montaje, apague siempre la máquina y saque el enchufe de la toma.

Montaje del tubo plegable (Fig. B)

1. Despliegue completamente el tubo telescópico de la lijadora para cartón yeso, como se muestra en la figura. B1.
2. Sujete con la traba de la articulación (13) como se muestra en la figura B2. Asegúrese de que la traba de la articulación (13) quede encajada correctamente. Para desmontar el tubo plegable, solo tiene que abrir la traba de la articulación (13). Ahora, puede plegar el tubo telescópico.

Montaje del tubo telescópico (Fig. C)

1. Inserte la extensión telescópica (14) en la abertura de la empuñadura central (5), como se muestra en la figura C1. Asegúrese de que la parte plana del tubo quede alineada con la parte plana de la abertura.
2. Apriete el conector de la extensión telescópica (15) girándolo en sentido horario, como se muestra en la figura C2.

Nota: la máquina también se puede utilizar sin la extensión telescópica (14). Para ello, omita este paso y monte el sistema de extracción de polvo directamente en la empuñadura central (5), en vez de hacerlo en la empuñadura inferior (6).

Montaje del sistema de extracción de polvo (Fig. D)

Se recomienda vivamente utilizar la máquina con la manguera y la bolsa de polvo, para garantizar una extracción óptima del polvo.

1. Inserte la manguera de polvo (8) con el conector (7) en la abertura de la empuñadura inferior (6), como se muestra en la figura D1. Asegúrese de que la parte plana del tubo quede alineada con la parte plana de la abertura.
2. Apriete el conector de la manguera de polvo (7) girándolo en sentido horario, como se muestra en la figura D2.

Nota: La bolsa de polvo debe vaciarse cuando esté llena hasta la mitad, para mantener una extracción de polvo óptima.

Colocación y extracción del papel de lijar (Fig. F)

- Sujete la máquina de lado o boca abajo, como se muestra en la Fig. E.
- Coloque el papel de lijar (17) del grano que desee en la almohadilla para lijar (16). Compruebe que el orificio del papel de lijar (17) coincida con el orificio de la almohadilla para lijar (16).
- Para extraer el papel de lijar (17), solo tiene que tirar del papel para sacarlo de la almohadilla para lijar (16).

Nota: Utilice papel de lijar de grano grueso para lijar superficies ásperas e irregulares. Utilice un papel de lija de grano mediano para eliminar los arañazos dejados por el papel de grano grueso. Utilice papel de lijar de grano fino para el acabado de las superficies.

Sustitución de la almohadilla para lijar (Fig. F)

Coloque únicamente la almohadilla para lijar indicada en la máquina por el fabricante.

Extracción de la almohadilla para lijar:

1. Saque el papel de lijar (17) de la almohadilla para lijar (16).
2. Inserte la llave hexagonal suministrada en el perno de la almohadilla para lijar (16).
3. Mientras sujeta bien la almohadilla para lijar (16), gire la llave en sentido antihorario para aflojar el perno hexagonal.
4. Ahora puede sacar la almohadilla para lijar (16).

Colocación de la almohadilla para lijar:

1. Coloque la almohadilla para lijar (16) en la máquina.
2. Inserte el perno en la almohadilla para lijar (16), y la llave hexagonal en el perno.
3. Mientras sujeta bien la almohadilla para lijar (16), gire la llave en sentido horario para apretar el perno hexagonal.

4. FUNCIONAMIENTO**Encendido y apagado (Fig. A)**

- Para encender la máquina, desplace hacia arriba el interruptor de encendido/apagado (1).
- Para apagar la máquina, desplace hacia abajo el interruptor de encendido/apagado (1).

Nota: Se recomienda mantener el motor en marcha durante un breve periodo de tiempo después del lijado, para que el polvo residual pueda ser recogido en la bolsa.

Ajuste de velocidad (Fig. A)

Puede ajustar la velocidad que desee usando el botón de ajuste de velocidad (2). La velocidad de rotación también puede ajustarse durante el funcionamiento.

- Para aumentar la velocidad, gire el botón de ajuste de velocidad (2) en sentido horario.
- Para reducir la velocidad, gire el botón de ajuste de velocidad (2) en sentido antihorario.

La velocidad requerida depende del material y puede establecerse mediante pruebas prácticas.

Ajuste de la longitud del tubo telescópico (Fig. C2)

1. Afloje el conector (15) girándolo en sentido antihorario.

2. Extraiga o cierre el tubo telescópico hasta la longitud deseada. Tenga en cuenta la marca de advertencia del tubo telescópico, que indica la longitud máxima para garantizar la estabilidad.
3. Apriete el conector (15) girándolo en sentido horario.

Bloqueo del cabezal de lijado (Fig. E)

El movimiento del cabezal de lijado puede bloquearse hacia arriba. De esta manera, se mejora el confort de trabajo durante el lijado de los cielorrasos.

1. Mueva la almohadilla para lijar (16) hacia arriba, como se muestra en la figura. E1.
2. Mientras sujeta la almohadilla para lijar (16), deslice la correa (11) por la presilla (10) como se muestra en la figura. E2.

Para desbloquear el movimiento del cabezal de lijado, solo tiene que quitar la correa (11) de la presilla (10) deslizándola hacia afuera. El cabezal de lijado ahora puede moverse libremente.

Consejos para un uso óptimo

- Sujete bien la máquina con ambas manos.
- Encienda la máquina.
- Coloque la almohadilla para lijar con el papel de lijar sobre la pieza de trabajo.
- Mueva lentamente la máquina sobre la pieza de trabajo, presionando firmemente la almohadilla para lijar contra la pieza de trabajo.
- No ejercite demasiada presión sobre la máquina. Deje que la máquina haga el trabajo.
- Apague la máquina y espere a que se detenga completamente antes de apoyarla.

5. MANTENIMIENTO

Desconecte siempre la máquina de la red eléctrica principal antes de realizar cualquier trabajo de mantenimiento.

Limpie regularmente la carcasa de la máquina con un paño suave, preferentemente después de cada uso. Compruebe que los orificios de ventilación estén libres de polvo y suciedad. Elimine el polvo persistente utilizando un paño suave humedecido con agua y jabón. No use disolventes tales como gasolina, alcohol, amoníaco, etc. Tales productos químicos pueden dañar los componentes sintéticos.

MEDIOAMBIENTE



Los aparatos eléctricos o electrónicos defectuosos y/o desechados deben recogerse en lugares de reciclado apropiado.

Solo para países de la Comunidad Europea

No elimine las herramientas eléctricas como residuos domésticos. De acuerdo con la Directiva europea 2012/19/CE sobre residuos de aparatos eléctricos y electrónicos, y su transposición a las legislaciones nacionales, las herramientas eléctricas que ya no se utilizan deben recogerse por separado y eliminarse en modo ecológico.

CONDICIONES DE GARANTÍA

Los productos VONROC han sido desarrollados con los más altos estándares de calidad y VONROC garantiza que están exentos de defectos relacionados con los materiales y la fabricación durante el periodo legalmente estipulado, a contar desde la fecha de compra original. En caso de que el producto presente defectos relacionados con los materiales y/o la fabricación durante este periodo, póngase directamente en contacto VONROC.

La presente garantía se excluye en los siguientes casos:

- Si centros de servicios no autorizados han realizado o han intentado realizar reparaciones y/o alteraciones a la máquina.
- Si se ha producido un desgaste normal.
- Si la herramienta ha sido mal tratada o usada en modo impropio, o se ha realizado incorrectamente su mantenimiento.
- Si se han utilizado piezas de repuesto no originales.

La presente constituye la única garantía implícita y explícita que ofrece la compañía. No existen otras garantías explícitas o implícitas que excedan las citadas aquí, incluidas las garantías implícitas de comerciabilidad e idoneidad para una finalidad en especial. VONROC no será considerada responsable en ningún caso por daños incidentales o consecuentes. Los recursos a disposición de los distribuidores se limitan a la reparación o a la sustitución de las unidades o piezas no conformes.

El producto y el manual de usuario están sujetos a variaciones. Las especificaciones pueden variarse sin previo aviso.

1. ISTRUZIONI DI SICUREZZA

Leggere accuratamente gli avvisi di sicurezza, gli avvisi di sicurezza aggiuntivi e le istruzioni. La mancata osservanza degli avvisi di sicurezza e delle istruzioni potrebbe causare scosse elettriche, incendio e/o gravi lesioni. Mantenere gli avvisi di sicurezza e le istruzioni a portata di mano per future consultazioni.

I seguenti simboli sono utilizzati nel presente manuale utente o sul prodotto:



Leggere il manuale per l'utente.



Denota il rischio di lesioni personali, morte o danni all'utensile in caso di mancata osservanza delle istruzioni contenute nel presente manuale.



Indica un pericolo di scossa elettrica.



Velocità elettronica variabile



*Indossare occhiali di protezione.
Indossare protezioni per l'udito.*



Indossare una mascherina anti-polvere..



*Apparecchio di Classe II - Doppio isolamento
- Non è necessario il collegamento a terra.*



Il prodotto è conforme agli standard pertinenti in materia di sicurezza previsti dalla legislazione Europea.

REGOLE GENERALI DI SICUREZZA



ATTENZIONE! Leggere tutte le avvertenze di sicurezza e tutte le istruzioni. Se non si seguono tutte le istruzioni sotto elencate, si può incorrere in uno shock elettrico, in un incendio e/o in lesioni serie.

Conservare queste istruzioni.

Il termine "arnese elettrico" in tutti gli avvertimenti sotto elencati si riferisce al vostro arnese elettrico che funziona a corrente (con filo) o ad un arnese che funziona a pile (senza filo).

- 1) **Area di lavoro**
 - a) **Mantenere l'area di lavoro pulita e ben illuminata.** Aree buie e disordinate favoriscono gli incidenti.
 - b) **Non usare arnesi elettrici in atmosfere esplosive, come vicino ai liquidi infiammabili, gas o polveri.** Gli arnesi elettrici creano scintille che possono incendiare la polvere dei vapori.
 - c) **Tenere lontani bambini e altre persone mentre si accende l'arnese elettrico.** Le distrazioni possono farvi perdere il controllo.

2) Sicurezza elettrica

- a) **Le spine dell'arnese elettrico devono andare bene per la presa di corrente. Non modificare mai la spina in alcun modo. Non usare alcun adattatore con arnesi elettrici a terra (messo a terra).** Spine non modificate che vanno bene per le prese di corrente ridurranno il rischio di shock elettrico.
- b) **Evitare il contatto corporeo con superfici a terra come tubature, radiatori, fornelli e refrigeratori.** C'è un rischio maggiore di shock elettrico se il vostro corpo è a terra.
- c) **Non esporre arnesi elettrici alla pioggia o a condizioni di umidità.** Se dell'acqua penetra nell'arnese elettrico aumenterà il rischio di shock elettrico.
- d) **Non abusare del filo. Non usare mai il filo per trasportare, spingere o staccare dalla presa l'arnese elettrico. Tenere il filo lontano da calore, olio, bordi taglienti o parti mobili.** Fili danneggiati o aggrovigliati aumentano il rischio di shock elettrico.
- e) **Quando si accende un arnese elettrico all'aperto, usare una prolunga adatta a tale uso.** Usare un filo adatto all'uso all'aperto ridurrà il rischio di shock elettrico.
- f) **Se non è possibile evitare l'uso di un elettroutensile in ambiente umido, usare una rete di alimentazione protetta da un interruttore differenziale (salvavita).** L'uso di un salvavita riduce il rischio di scosse elettriche.

3) Sicurezza personale

- a) **Stare vigili e attento quando si accende un arnese elettrico. Non usare un arnese elettrico mentre si è stanco o sotto l'effetto di droghe, alcool o medicinali.** Un momento di disattenzione mentre si accendono arnesi elettrici può causare delle gravi lesioni personali.
- b) **Usare dispositivi di protezione individuale. Indossare sempre una protezione per gli occhi.**

- Dispositivi di sicurezza come mascherina per la polvere, scarpe di sicurezza antiscivolo, casco, o protezioni per le orecchie usate nelle appropriate condizioni, ridurranno le lesioni personali.
- c) **Prevenire l'avvio accidentale. Assicurarsi che l'interruttore sia spento prima di collegarsi.**
Trasportare elettrotensili tenendo il dito sull'interruttore di accensione o dare corrente ad elettrotensili con l'interruttore acceso può dare luogo a incidenti.
- d) **Rimuovere ogni chiave regolatrice o chiave per dadi prima di accendere l'arnese elettrico.** Una chiave per dadi o una chiave lasciata attaccata ad una parte rotante dell'arnese elettrico può provocare lesioni personali.
- e) **Cercare di mantenere l'equilibrio. Mantenere sempre un punto d'appoggio appropriato.**
Questo consente un controllo migliore dell'arnese elettrico in situazioni inaspettate.
- f) **Vestirsi adeguatamente. Non indossare vestiti larghi o gioielli. Tenere lontano capelli, vestiti e guanti dalle parti mobili.** Vestiti larghi, gioielli o capelli lunghi possono essere presi nelle parti mobili.
- g) **Se vengono forniti dispositivi per la connessione dell'estrazione della polvere e attrezzature di raccolta, assicurarsi che questi siano collegati e usati correttamente.** L'uso di questi dispositivi può ridurre i rischi correlati alla polvere.
- h) **Non lasciare che la confidenza acquisita dall'uso frequente induca l'utilizzatore ad assumere comportamenti imprudenti e a ignorare i principi di sicurezza per l'utensile.**
Una semplice distrazione può provocare gravi lesioni personali in una frazione di secondo.
- 4) **Uso e manutenzione dell'arnese elettrico**
- a) **Non forzare l'arnese elettrico. Usare l'arnese elettrico corretto per il vostro impiego.** L'arnese elettrico corretto farà il lavoro meglio e in maniera più sicura alla velocità per la quale è stato progettato.
- b) **Non usare l'arnese elettrico se l'interruttore non si accende o non si spegne.** Ogni arnese elettrico che non può essere controllato con l'interruttore è pericoloso e deve essere riparato.
- c) **Scollegare la spina dalla sorgente di elettricità prima di fare qualsiasi regolazione, cambiare gli accessori, o conservare arnesi elettrici.** Tali misure di sicurezza preventive riducono il rischio di accendere l'arnese elettrico accidentalmente.
- d) **Conservare gli arnesi elettrici inattivi fuori dalla portata dei bambini e non permettere a persone che non hanno confidenza con l'arnese elettrico o con queste istruzioni di usare l'arnese elettrico.** Gli arnesi elettrici sono pericolosi per utenti inesperti.
- e) **Mantenere gli arnesi elettrici. Controllare il non allineamento o l'attacco di parti mobili, la rottura di parti ed ogni altra condizione che può influire sul funzionamento degli arnesi elettrici. Se è danneggiato, far riparare l'arnese elettrico prima dell'uso.** Molti incidenti sono causati da arnesi elettrici mantenuti male.
- f) **Mantenere gli arnesi da taglio affilati e puliti.** È meno probabile che si attacchino degli arnesi da taglio mantenuti correttamente con tagli affilate e questi sono anche più facili da controllare.
- g) **Usare l'arnese elettrico, gli accessori e le parti dell'arnese ecc, secondo queste istruzioni e nel modo pensato per il particolare tipo di arnese elettrico, tenendo conto delle condizioni di lavoro e del lavoro da svolgere.** L'uso dell'arnese elettrico per operazioni diverse da quelle pensate potrebbe causare situazioni pericolose.
- h) **Mantenere le impugnature e le superfici di presa asciutte, pulite e libere da olio e grasso.** Impugnature e superfici di presa scivolose non consentono di maneggiare e controllare in sicurezza l'utensile in situazioni impreviste.
- 5) **Riparazione**
- a) **L'assistenza per l'elettrotensile deve essere prestata da un tecnico qualificato che utilizzi soltanto ricambi originali.** In questo modo viene garantita la sicurezza dell'elettrotensile.

ISTRUZIONI DI SICUREZZA AGGIUNTIVE

- Non utilizzare fogli di carta abrasiva troppo grandi, ma scegliere il formato attenendosi alle specifiche del cliente. I fogli di carta abrasiva che sporgono dal platorello possono provocare lesioni alle persone oltre che bloccarsi e lacerarsi o causare un contraccolpo della macchina.
- Non è consigliato rimuovere con la levigatrice la vernice al piombo. La vernice contenente piombo deve essere rimossa esclusivamente da personale specializzato.
- Non lavorare su materiali che rilasciano sostanze pericolose (come, ad esempio, l'amianto). Se esiste la probabilità che venga generata polvere pericolosa combustibile o esplosiva, adottare

le dovute precauzioni. Indossare una maschera antipolvere. Utilizzare un sistema di aspirazione delle polveri.

- La levigatura di gesso o cartongesso può provocare l'accumulo di cariche elettrostatiche sull'utensile. Allo scopo di garantire la sicurezza dell'utilizzatore, la levigatrice per pareti è provvista di messa a terra. Rimuovere la polvere solo con un aspiratore dotato di messa a terra. Non lavorare su materiali contenenti amianto. L'amianto è considerato una sostanza cancerogena.
- Non utilizzare la macchina per levigare pezzi in magnesio.
- Indossare occhiali di sicurezza. Indossare protezioni per l'udito. Se necessario, utilizzare altri dispositivi di protezione, quali guanti, scarpe antinfortunistiche, ecc.
- Tenere la levigatrice dalle superfici di presa isolate, laddove l'accessorio possa entrare in contatto con fili elettrici nascosti o con il cavo di alimentazione. Se l'accessorio dovesse toccare un filo elettrico sotto tensione anche le parti metalliche esposte della macchina possono diventarlo. Rischio di scossa elettrica.
- Prestare molta attenzione nel levigare superfici verniciate.
- Prima dell'uso rimuovere tutti i chiodi e gli altri oggetti di metallo dal pezzo da levigare.
- Assicurarsi che il pezzo da levigare sia correttamente sostenuto o fissato.
- Usare esclusivamente carta abrasiva adatta per l'impiego con questa macchina.
- Usare esclusivamente carta abrasiva delle dimensioni corrette. Assicurarsi che la carta abrasiva sia fissata correttamente.
- Prima di ciascun utilizzo controllare la carta abrasiva.
- Non usare carta abrasiva usurata per via dell'uso prolungato.
- Non appoggiare mai la macchina su un tavolo o un banco da lavoro prima di averla spenta.

Sicurezza elettrica



Controllare sempre che la tensione di alimentazione corrisponda alla tensione indicata sulla targhetta delle caratteristiche.

- Non utilizzare l'elettroscopio quando il cavo o la spina di alimentazione sono danneggiati.
- Utilizzare esclusivamente cavi di prolunga idonei per la potenza nominale dell'elettroscopio, con

conduttori di sezione minima di 1,5mm². Quando si utilizza un cavo di prolunga con avvolgicavo, svolgere sempre completamente il cavo.

2. INFORMAZIONI RELATIVE ALL'ELETTROSCOPIO

Uso previsto

La macchina è progettata per levigare pareti e soffitti, per carteggiare pannelli di cartongesso e per rimuovere vernice, carta da parati e residui di colla. Non è consentito usare mole troncatrici, mole per sgrossatura, mole da sbavo a ventaglio o spazzole metalliche. Questa macchina non è adatta per lavorare su oggetti contenenti amianto. Un uso scorretto può danneggiare l'utensile.

DATI TECNICI

Numero modello	DS502AC
Tensione di alimentazione	220-240V ~
Frequenza di alimentazione	50/60 Hz
Potenza assorbita	1050W
Velocità a vuoto	600-2600/min
Diametro della mola	Ø 215 mm
Peso	5,04 kg
Livello di pressione sonora L _{PA}	93 + 3 dB(A)
Livello di potenza sonora L _{WA}	104 + 3 dB(A)
Vibrazione	4,16+1,5 m/s ²



Indossare protezioni per l'udito.

Livello delle vibrazioni

Il livello di emissione delle vibrazioni indicato sul retro di questo manuale di istruzioni è stato misurato in conformità a un test standardizzato stabilito dalla norma EN 60745; questo valore può essere utilizzato per mettere a confronto un'utensile con un altro o come valutazione preliminare di esposizione alla vibrazione quando si impiega l'utensile per le applicazioni menzionate.

- se si utilizza l'utensile per applicazioni diverse, oppure con accessori differenti o in scarse condizioni, il livello di esposizione potrebbe aumentare notevolmente
- i momenti in cui l'utensile è spento oppure è in funzione ma non viene effettivamente utilizzato

per il lavoro, possono contribuire a ridurre il livello di esposizione.

Proteggersi dagli effetti della vibrazione effettuando la manutenzione dell'utensile e dei relativi accessori, mantenendo le mani calde e organizzando i metodi di lavoro.

DESCRIZIONE

I numeri che compaiono nel testo si riferiscono agli schemi riportati alle pagine 2 - 4

1. Interruttore di accensione/spengimento
2. Rotella di regolazione velocità
3. Cerniera
4. Parte superiore del manico
5. Parte centrale del manico
6. Parte inferiore del manico
7. Raccordo per tubo flessibile di aspirazione polveri
8. Tubo flessibile di aspirazione polveri
9. Sacchetto raccogli-polvere
10. Fermo
11. Cinghietta
12. Supporto del platorello
13. Blocco della cerniera
14. Prolunga dell'asta telescopica
15. Raccordo prolunga dell'asta telescopica
16. Platorello
17. Carta abrasiva
18. Supporto per chiave a brugola

3. MONTAGGIO



Prima del montaggio, spegnere sempre l'elettro-utensile e disconnettere la spina di alimentazione dalla rete elettrica.

Assemblaggio dell'asta ripiegabile (Fig. B)

1. Estendere completamente l'asta telescopica della levigatrice per cartongesso, come illustrato nella Figura B1.
2. Fissare l'asta con il blocco della cerniera (13), come illustrato nella Figura B2. Assicurarsi che il blocco della cerniera (13) sia inserito correttamente. Per disassemblare l'asta telescopica aprire semplicemente il blocco della cerniera (13). A questo punto l'asta può essere ripiegata.

Assemblaggio dell'asta telescopica (Fig. C)

1. Infilare la prolunga dell'asta telescopica (14) nell'apertura della parte centrale del manico (5), come illustrato nella Figura C1. Assicurarsi che la parte piatta dell'asta sia allineata con la parte piatta dell'apertura.
2. Stringere il raccordo della prolunga dell'asta telescopica (15) ruotandolo in senso orario, come illustrato nella Figura C2.

Nota: la macchina può essere usata anche senza la prolunga dell'asta telescopica (14). A tale scopo, saltare questo passaggio e assemblare l'aspiratore di polveri direttamente alla parte centrale del manico (5), anziché alla parte inferiore (6).

Assemblaggio dell'aspiratore di polveri (Fig. D)

Si raccomanda vivamente di utilizzare la macchina con il tubo flessibile di aspirazione polveri e il sacchetto raccogli-polvere montati, al fine di assicurare un'aspirazione delle polveri ottimale.

1. Inserire il tubo flessibile di aspirazione polveri (8) con il raccordo (7) nell'apertura della parte inferiore del manico (6), come illustrato nella Figura D1. Assicurarsi che la parte piatta dell'asta sia allineata con la parte piatta dell'apertura.
2. Stringere il raccordo del tubo flessibile di aspirazione polveri (7) ruotandolo in senso orario, come illustrato nella Figura D2.

Nota: per mantenere un'aspirazione delle polveri ottimale il sacchetto raccogli-polvere deve essere svuotato quando è pieno per metà.

Fissaggio e rimozione della carta abrasiva (Fig. F)

- Tenere la macchina sul lato o a testa in giù, come illustrato nella Figura E.
- Fissare la carta abrasiva (17) con la grana richiesta sul platorello (16). Assicurarsi che il foro nella carta abrasiva (17) corrisponda al foro sul platorello (16).
- Per rimuovere la carta abrasiva (17), staccare semplicemente la carta dal platorello (16).

Nota: per levigare superfici grezze o irregolari usare carta abrasiva a grana grossa. Per rimuovere i graffi residui prodotti dalla carta abrasiva a grana grossa utilizzare una carta abrasiva a grana media. Per la finitura delle superfici usare carta abrasiva a grana fine.

Sostituzione del platorello (Fig. F)

Installare esclusivamente la carta abrasiva specificata dal produttore sulla macchina.

Rimozione del platorello:

1. Rimuovere la carta abrasiva (17) dal platorello (16).
2. Inserire la chiave a brugola fornita in dotazione nel bullone sul platorello (16).
3. Tenendo fermo il platorello (16) con forza, ruotare la chiave in senso antiorario per allentare il bullone esagonale.
4. A questo punto è possibile rimuovere il platorello (16).

Fissaggio del platorello:

1. Montare il platorello (16) sulla macchina.
2. Inserire il bullone nel platorello (16) e la chiave a brugola nel bullone.
3. Tenendo fermo il platorello (16) con forza, ruotare la chiave in senso orario per stringere il bullone esagonale.

4. FUNZIONAMENTO**Accensione e spegnimento (Fig. A)**

- Per accendere la macchina spostare l'interruttore di accensione/spegnimento (1) verso l'alto.
- Per spegnere la macchina spostare l'interruttore di accensione/spegnimento (1) verso il basso.

Nota: si raccomanda di mantenere acceso il motore per un breve periodo dopo la levigatura, cosicché sia possa raccogliere la polvere residua nell'apposito sacchetto.

Rotella di regolazione velocità (Fig. A)

La velocità richiesta può essere regolata con l'apposita rotella di regolazione (2). La velocità di rotazione può essere regolata anche mentre la levigatrice è in funzione.

- Per aumentare la velocità ruotare la manopola di regolazione della velocità (2) in senso orario.
- Per ridurre la velocità ruotare la manopola di regolazione della velocità (2) in senso antiorario.

Le velocità richieste dipendono dal materiale e possono essere stabilite con una prova pratica.

Regolazione della lunghezza del tubo telescopico (Fig. C2)

1. Allentare il connettore (15) ruotandolo in senso antiorario.
2. Estrarre o ritrarre l'asta telescopica alla lunghezza desiderata. Tenere in considerazione il segno di avvertenza sull'asta telescopica che indica la lunghezza massima consentita per assicurare la stabilità.
3. Serrare il connettore (15) ruotandolo in senso orario.

Bloccaggio della testa di levigatura (Fig. E)

Il movimento della testa di levigatura può essere bloccato nella posizione rivolta verso l'alto. In questo modo è possibile aumentare il comfort durante la levigatura dei soffitti.

1. Spostare il platorello (16) nella posizione rivolta verso l'alto, come illustrato nella Figura E1.
2. Tenendo il platorello (16), fare scorrere la cinghietta (11) sul fermo (10), come illustrato nella Figura E2.

Per sbloccare il movimento della testa di levigatura rimuovere semplicemente la cinghietta (11) dal fermo (10), facendola scorrere fuori dal fermo. A questo punto la testa di levigatura può muoversi liberamente.

Suggerimenti per un utilizzo ottimale

- Tenere saldamente la macchina con entrambe le mani.
- Accendere la macchina.
- Posizionare il platorello con la carta abrasiva sul pezzo da lavorare.
- Muovere lentamente la macchina sul pezzo da lavorare, premendo con decisione il platorello contro il pezzo.
- Non esercitare troppa pressione sulla macchina. Lasciare che sia la macchina a svolgere il lavoro.
- Spegnere la macchina e attendere che si arresti completamente prima di appoggiarla.

5. MANUTENZIONE

Prima di eseguire qualsiasi intervento di manutenzione scollegare sempre la macchina dalla presa di corrente.

Pulire regolarmente il corpo dell'elettrotensile con un panno morbido, preferibilmente dopo ogni uso. Assicurarsi che le prese d'aria siano libere da polvere e sporcizia. Rimuovere lo sporco particolarmente ostinato con un panno morbido inumidito con acqua e sapone. Non utilizzare solventi come benzina, alcol, ammoniaca, ecc. Le sostanze chimiche di questo tipo danneggiano i componenti sintetici.

plicite di commerciabilità e idoneità per uno scopo particolare. In nessun caso VONROC sarà responsabile di eventuali danni incidentali o consequenziali. I rimedi dei rivenditori saranno limitati alla riparazione o sostituzione di unità o parti non conformi.

Il prodotto e il manuale per l'utente sono soggetti a modifiche. I dati tecnici possono essere modificati senza ulteriore notifica.

RISPETTO AMBIENTALE



Le apparecchiature elettriche o elettroniche difettose e/o scartate devono essere raccolte presso gli opportuni siti di riciclaggio.

Solo per i Paesi CE

Non smaltire gli elettrotensili insieme ai rifiuti domestici. Secondo la Direttiva europea 2012/19/EC sui rifiuti delle apparecchiature elettriche ed elettroniche e relativa implementazione nelle normative locali, gli elettrotensili ormai inutilizzabili devono essere raccolti separatamente e smaltiti in modo ecologico.

DEFINIZIONI DELLA GARANZIA

I prodotti VONROC sono sviluppati secondo i più elevati standard di qualità e viene garantita l'assenza di difetti nei materiali e nella manodopera per il periodo contrattuale a partire dalla data di acquisto originale. Qualora il prodotto dovesse subire un guasto qualsiasi durante questo periodo a causa di difetti nei materiali e/o nella manodopera, si prega di contattare direttamente il VONROC.

Le seguenti circostanze sono escluse da questa garanzia:

- Riparazioni e/o modifiche alla macchina sono state eseguite o tentate da centri di assistenza non autorizzati.
- Normale usura.
- L'utensile è stato abusato, utilizzato o mantenuto in modo improprio.
- Sono state utilizzate parti di ricambio non originali

Ciò costituisce l'unica garanzia espressa o implicita fornita dall'azienda. Non esistono altre garanzie espresse o implicite che si estendono oltre il presente documento, ivi comprese le garanzie im-

1. SÄKERHETSFÖRESKRIFTER

Läs de medföljande säkerhetsvarningarna, de tillkommande säkerhetsvarningarna och anvisningarna. Om inte säkerhetsvarningarna och anvisningarna följs kan detta orsaka elstöt, brand och/eller allvarliga kroppsskador. Behåll säkerhetsvarningarna och anvisningarna för framtida bruk.

Följande symboler används i bruksanvisningen eller på produkten:



Läs igenom bruksanvisningen.



Anger risk för personskada, dödsfall eller skada på verktyget om anvisningarna i denna handbok inte följs.



Risk för elstöt.



Variabla elektroniska varvtal.



Använd skyddsglasögon.
Använd hörselskydd.



Använd skyddsmask.



Klass II-maskin - dubbel isolering – du behöver ingen jordad kontakt.



Produkten är i överensstämmelse med tillämpliga säkerhetsstandarder i EU-direktiven.

ALLMÄNNA SÄKERHETSFRÖSKRIFTER



Varning! Läs alla säkerhetsvarningar och alla anvisningar. Om inte alla instruktioner som anges nedan efterföljs kan detta leda till el-stöt, eldsvåda och/eller allvarliga skada.

Spara dessa instruktioner.

Termen "elektriskt redskap" i varningarna som anges nedan hänvisar till elektriska verktyg (med sladd, anslutet till el-nätet) eller batteridrivna (sladdlösa) elektriska verktyg.

1) Arbetsutrymme

- a) **Se till att arbetsutrymmet är städlat och väl upplyst.** Stökiga och mörka utrymmen ger anledning till olyckor.

- b) **Använd inte elektriska verktyg i explosiv luft, såsom i närheten av lättantändliga vätskor, gaser eller damm.** Elektriska verktyg åstadkommer gnistor som kan sätta eld på damm eller gas.
- c) **Håll barn och obehöriga på avstånd när du använder ett elektriskt verktyg.** Om du blir distraherad kan du tappa kontrollen över verktyget.

2) El-säkerhet

- a) **Stickkontakten till elektriska verktyg måste passa el-uttaget. Ändra aldrig på något sätt på stickkontakten. Använd inte adapterkontakter till jordade elektriska verktyg.** Oförändrade stickkontakter och passande uttag minskar risken för el-stöt.
- b) **Undvik kroppskontakt med jordade ytor såsom rör, element, spisar och kylskåp.** Risken för el-stöt är större om din kropp är jordad.
- c) **Låt inte elektriska verktyg utsättas för regn eller våta förhållanden.** Om det kommer in vatten i ett elektriskt verktyg ökar risken för el-stöt.
- d) **Skada inte kabeln. Använd aldrig kabeln för att bära eller dra det elektriska verktyget eller för att dra ut stickkontakten. Håll sladden borta från höga temperaturer, olja, vassa kanter eller rörliga delar.** Skadade eller hoptrasslade kablar ökar risken för el-stöt.
- e) **När du använder ett elektriskt verktyg utomhus måste förlängningskabeln vara lämplig för utomhusbruk.** Om man använder en förlängningskabel för utomhusbruk minskar risken för el-stöt.
- f) **Använd jordfelskydd (RCD) om arbete med ett elverktyg i fuktig miljö är oundvikligt.** Användning av RCD minskar risken för elstöt.

3) Personlig säkerhet

- a) **Var uppmärksam, titta på det du håller på med och använd sunt förnuft när du arbetar med ett elektriskt verktyg. Använd inte elektriska verktyg när du är trött eller står under inflytande av droger, alkohol eller mediciner.** Ett ögonblick ouppmärksamhet vid användandet av elektriska verktyg kan leda till allvarliga personskador.
- b) **Använd personlig skyddsutrustning. Bär alltid skyddsglasögon.** Säkerhetsutrustning såsom skyddsmasker, skor med anti-halksula, hjälm eller hörselskydd som används vid rätt omständigheter kommer att minska personskador.
- c) **Förhindra oavsiktlig igångsättning. Se till att strömbrytaren är avslagen innan du sätter stickkontakten i eluttaget.** Om du bär elverktyg med

fingret på brytaren eller strömsätter elverktyg vars brytare är aktiverad kan du råka ut för en olycka.

- d) **Ta bort skiftnycklar och skruvnycklar innan ett elektriskt verktyg slås på.** En skift- eller skruvnyckel som lämnas kvar fastsatt vid det elektriska verktygets roterande delar kan leda till personskada.
- e) **Sträck dig inte för långt. Se till att du alltid står stadigt och i balans.** På så sätt har du bättre kontroll över det elektriska verktyget i oväntade situationer.
- f) **Klä dig rätt. Bär inte löst sittande kläder eller smycken. Håll håret, kläder och handskar borta från rörliga delar.** Löst sittande kläder, smycken eller långt hår kan fastna i de rörliga delarna.
- g) **Om apparater för uppsugning och uppsamling av damm finns tillgängliga, se till att de ansluts och används korrekt.** Om sådana apparater används kan dammrelaterade faror minskas.
- h) **Låt inte erfarenheten som uppnås vid frekvent användning av verktyg låta dig bli för självsäker och ignorera verktygs säkerhetsprinciperna.** En oförsiktig handling kan orsaka allvarliga skador under bråkdelen av en sekund.
- 4) Underhåll av elektriska verktyg**
- a) **Överbelasta inte ett elektriskt verktyg. Använd rätt sorts verktyg till det arbete du vill utföra.** Rätt sorts elektriskt verktyg gör arbetet bättre och säkrare i den hastighet det var designat för.
- b) **Använd inte verktyget om strömbrytaren är trasig.** Om ett elektriskt verktyg inte kan kontrolleras med hjälp av en strömbrytare är det farligt och måste lagas.
- c) **Koppla loss stickkontakten från verktyget innan du utför några justeringar, byter tillbehör eller förvarar det.** Med dessa preventiva säkerhetsåtgärder minskas risken för att det elektriska verktyget går på av misstag.
- d) **Förvara elektriska verktyg som inte är i bruk utom räckhåll för barn och låt inte personer som inte känner till verktyget eller dessa instruktioner använda det.** Elektriska verktyg är farliga i händerna på oerfarna användare.
- e) **Underhåll elektriska verktyg. Kontrollera att alla rörliga delar är i rät linje och fastsatta, att inga delar är trasiga och att de är korrekt monterade. Kontrollera även annat som kan påverka verktygets funktion. Om det elektriska verktyget är trasigt måste det repareras innan det tas i bruk.** Många olyckor förorsakas av

dåligt underhållna elektriska verktyg.

- f) **Håll alltid sågande och skärande verktyg vassa och rena.** Sågande och skärande verktyg med vassa eggar/skär fastnar inte så lätt och är enklare att hålla kontroll över.
- g) **Använd det elektriska verktyget, dess tillbehör, borrande eller skärande delar etc. enligt dessa instruktioner och på det sätt som det är avsett för. Ta med förutsättningarna och det arbete som ska utföras i beräkningarna.** Att använda ett elektriskt verktyg för andra arbeten än det är avsett för kan resultera i farliga situationer.

5) Service

- a) **Låt ditt elverktyg servas av en kvalificerad reparatör och enbart med originalreservdelar.** Detta säkerställer att elverktygets säkerhet upprätthålls.

YTTERLIGARE SÄKERHETS FÖRESKRIFTER

- Använd inte överdimensionerade slippapper utan följ tillverkarens specifikationer för storlek på slippapper. Slippapper som skjuter ut över slipskivan kan orsaka skador samt blockera och slita slippappren eller orsaka kast.
- Det rekommenderas inte att slipa blyfärg. Blyfärg bör endast tas bort av en specialist.
- Arbeta inte på material som släpper ut farliga ämnen (t.ex. asbest). Vidta försiktighetsåtgärder om farligt, brännbart eller explosivt damm kan förekomma. Använd en dammask. Använd dammsugningssystem.
- Om gipsskivor eller gips slipas kan det orsaka att statisk elektricitet byggs upp på verktyget. För att garantera din säkerhet är slipmaskinen jordad. Ta endast bort damm med en jordad dammsugare.
- Arbeta inte med material som innehåller asbest. Asbest betraktas som cancerframkallande.
- Använd inte maskinen för slipning av arbetsskytten av magnesium.
- Använd skyddsglasögon. Använd hörselskydd. Om nödvändigt, använd andra skyddsanordningar, som skyddshandskar, skyddsskor, etc.
- Håll maskinen i den isolerade greppytan där tillbehöret kan komma i kontakt med dolda ledningar eller nätkablar. Om tillbehöret kommer i kontakt med spänningsförande ledning, kan de exponerade metalldelarna på maskinen också bli spänningsförande. Risk för elstöt.
- Var mycket försiktig vid slipning av målade ytor.
- Före användning, ta bort alla spikar och andra metallföremål från arbetsskytten.

- Se till att arbetsstycket har korrekt stöd eller fäste.
- Använd bara slippapper som lämpar sig för användning tillsammans med maskinen.
- Använd bara slippapper med korrekta mått. Se till att slippappret är korrekt fastsatt.
- Undersök slippappret före varje användning. Använd inte slippapper som är nött på grund av långvarig användning.
- Placera aldrig maskinen på ett bord eller en arbetsbänk innan den stängts av.

Elektrisk säkerhet



Kontrollera alltid att strömförsörjningens spänning överensstämmer med spänningen på märkplåten.

- Använd inte maskinen om nätkabeln eller nätkontakten är skadad.
- Använd endast förlängningskablar som är lämpliga för maskinens nominella effekt, minst 1.5mm² tjocka. Om förlängningskabel på trumma används måste kabeln alltid rullas ut helt.

2. MASKININFORMATION

Avsedd användning

Maskinen är konstruerad för slipning av väggar och tak, för slipning av släta gipsväggar, för borttagning av färg, tapeter och limrester. Det är inte tillåtet att använda avskärningsskivor, grovskivor, fläktliknande sliphjul eller stålborstar. Maskinen är inte lämplig för bearbetning av föremål som innehåller asbest. Felaktig användning kan skada verktyget.

TEKNISKA SPECIFIKATIONER

Modellnr	DS502AC
Nätspänning	220-240 V~
Nätfrekvens	50/60 Hz
Ineffekt	1050W
Obelastad hastighet	600-2600/min
Skivans diameter	Ø 215 mm
Vikt	5,04 kg
Ljudtrycknivå L _{PA}	93+3 dB(A)
Ljudeffektnivå L _{WA}	104+3 dB(A)
Vibration	4,16+1,5 m/s ²



Använd hörselskydd.

Vibrationsnivå

Vibrationsemissionsvärdet som står på baksidan av den här instruktionsboken har uppmätts enligt ett standardiserat test i enlighet med EN 60745; detta värde kan användas för att jämföra vibrationen hos olika verktyg och som en ungefärlig uppskattning av hur stor vibration användaren utsätts för när verktyget används enligt det avsedda syftet:

- om verktyget används på ett annat än det avsedda syftet eller med fel eller dåligt underhållna tillbehör kan detta drastiskt öka vibrationsnivån;
- när verktyget stängs av eller är på men inte används, kan detta avsevärt minska vibrationsnivån.

Skydda dig mot vibration genom att underhålla verktyget och dess tillbehör, hålla händerna varma och styra upp ditt arbetssätt.

BESKRIVNING

Siffrorna i texten nedan hänvisar till bilderna på sidorna 2-4.

Fig. A

1. Strömbrytare
2. Hastighetsjusteringsratt
3. Gångjärn
4. Övre handtag
5. Mellanhandtag
6. Nedre handtag
7. Dammslanganslutning
8. Dammslang
9. Damppåse
10. Klämma
11. Band
12. Slipdynskydd
13. Gångjärnslås
14. Teleskopisk förlängning
15. Teleskopisk förlängningskontakt
16. Slipdyna
17. Slippapper
18. Insexnyckelhållare

3. MONTERING



Innan montering ska du alltid stänga av maskinen och dra ut nätkontakten ur vägguttaget.

Montering av vikbara rör (bild B)

1. Vik helt ut det teleskopiska röret på gipsslipmaskinen enligt bild B1.
2. Fäst med gångjärnslåset (13) såsom visas i bild B2. Se till att gångjärnslåset (13) är korrekt inkopplat. För att ta isär det vikbara röret, öppna helt enkelt gångjärnslåset (13). Nu kan teleskopröret vikas.

Montering av teleskoprör (bild C)

1. För in den teleskopiska förlängningen (14) i öppningen på mellanhandtaget (5), som visas i bild C1. Se till att den plana delen av röret är i linje med den plana delen av öppningen.
2. Dra åt teleskopförlängningskontakten (15) genom att vrida den medurs, som visas i bild C2.

Obs: maskinen kan också användas utan teleskopförlängning (14). Hoppa då över detta steg och sätt ihop dammsugssystemet direkt i mellanhandtaget (5) istället för det nedre handtaget (6).

Montering av dammsugningssystemet (bild D)

Vi rekommenderar starkt att du använder maskinen tillsammans med dammslangen och dammpåsen för att säkerställa optimalt dammsug.

1. För in dammslangen (8) med anslutningen (7) i öppningen på det nedre handtaget (6), som visas i bild D1. Se till att den plana delen av röret är i linje med den plana delen av öppningen.
2. Dra åt dammslanganslutningen (7) genom att vrida den medurs, som visas i bild D2.

Notera: Dammpåsen ska tömmas när påsen är halvfull för att bibehålla optimal dammsug.

Montering och borttagning av slippapper (bild F)

- Håll maskinen på sidan eller upp och ned, som visas på bild F.
- Montera slippapper (17) med önskad kornstorlek på slipdynan (16). Se till att perforeringen i slippappret (17) överensstämmer med perforeringen på slipdynan (16).
- För att ta bort slippapper (17), dra helt enkelt slippappret från slipdynan (16).

Notera: Använd grovt slippapper för slipning av grova, ojämna ytor. Använd medelslippapper för att ta bort de återstående reporna från det grova slippapperet. Använd fint slippapper för ytbehandling.

Byte av slipdyna (bild F)

Installera endast den slipdyna som anges av tillverkaren på maskinen.

Ta bort slipdynan:

1. Ta bort slippappret (17) från slipdynan (16).
2. Sätt in den medföljande insexnyckeln i bulten på slipdynan (16).
3. Håll slipdynan (16) ordentligt och vrid nyckeln moturs för att lossa sexkantsbulten.
4. Slipdynan (16) kan nu tas bort.

Montera slipdynan:

1. Montera slipdynan (16) på maskinen.
2. För in bulten i slipdynan (16) och sätt in insexnyckeln i bulten.
3. Håll slipdynan (16) ordentligt och vrid nyckeln moturs för att dra åt sexkantsbulten.

4. ANVÄNDNING**Igångsättning och avstängning (bild A)**

- Flytta strömbrytaren (1) uppåt för att stänga av maskinen.
- Flytta strömbrytaren (1) nedåt för att stänga av maskinen.

Notera: Det rekommenderas att hålla motorn igång en kort tid efter slipningen så att damm kan samlas i påsen.

Hastighetsjustering (bild A)

Den önskade hastigheten kan ställas in genom att använda hastighetsinställningsratten (2). Även under körningen kan rotationshastigheten justeras.

- För att öka hastigheten, vrid hastighetsinställningsratten (2) medurs.
- För att minska hastigheten, vrid hastighetsinställningsratten (2) moturs.

Den hastighet som krävs beror på materialet och kan avgöras genom praktiskt test.

Justera teleskoprörets längd (bild C2)

1. Lossa anslutningen (15) genom att vrida den moturs.
2. Dra ut eller dra av teleskopröret till önskad längd. Dra ut eller dra av teleskopröret till önskad längd.
3. Dra åt anslutningen (15) genom att vrida den medurs.

Låsa sliphuvudet (bild E)

Sliphuvudets rörelse kan låsas uppåt. På detta sätt förbättras arbetskomforten vid slipning av tak.

1. Flytta slipdynan (16) till uppåt, som visas i bild E1.
2. Håll slipdynan (16) och skjut remmen (11) över klämman (10) enligt bilden E2.

För att låsa upp sliphuvudets rörelse, ta bara bort remmen (11) från klämman (10) genom att skjuta av den. Sliphuvudet kan nu röra sig fritt.

Tips för bästa användning

- Håll maskinen med ett fast grepp i handtaget.
- Starta maskinen.
- Placera slipdynan med slippappret på arbetsytan.
- Flytta maskinen långsamt över arbetsytan, samtidigt som slipdynan trycks mot arbetsytan med stadig hand.
- Utöva inte för stort tryck på maskinen. Låt maskinen göra arbetet.
- Stäng av maskinen och vänta tills den stannat helt innan du sätter ner maskinen.

5. UNDERHÅLL

Stäng alltid av maskinen och ta ut strömkontakten från strömkällan innan rengöring och underhåll.

Rengör maskinen hus regelbundet med en mjuk trasa, helst efter varje gång du använder maskinen. Se till att ventilationsöppningarna är fria från damm och smuts. Ta bort mycket ihållande smuts med en mjuk trasa fuktad med tvållösning. Använd inte lösningsmedel som bensin, alkohol, ammoniak osv. Sådana kemikalier skadar de syntetiska komponenterna.

MILJÖ

Felaktig och/eller kasserad elektrisk eller elektronisk utrustning måste lämnas in på lämpliga återvinningsstationer.

Endast för EU-länder

Släng inte elverktyg i hushållsavfallet. Enligt det europeiska WEEE-direktivet 2012/19/EU för avfall från elektrisk och elektronisk utrustning och dess tillämpning nationellt ska elverktyg som inte längre

kan användas samlas in separat och kasseras på ett miljövänligt sätt.

GARANTIVILLKOR

VONROC produkter är utvecklade enligt högsta kvalitetsstandard och garanteras vara utan defekter både vad gäller material och tillverkning under den period som stipuleras enligt lag med början från ursprungligt inköpsdatum. Om något fel uppstår på produkten under denna period på grund av material- och/eller tillverkningsfel skall VONROC kontaktas direkt.

Följande omständigheter exkluderas från denna garanti:

- Reparationer eller ändringar som gjorts eller försökt göras på maskinen av ett icke auktoriserat servicecenter.
- Normalt slitage.
- Verktyget har missbrukats, använts fel eller underhållits på felaktigt sätt.
- Icke-originalreservdelar har använts.

Detta utgör hela garantin från företaget, antingen uttryckt eller underförstått. Det finns inga andra garantier, uttalade eller underförstådda som gäller utöver ordalydelsen härav, häri, inklusive de uttalade garantierna för säljbarhet och lämplighet för ett särskilt syfte. Under inga omständigheter skall VONROC hållas ansvarig för några oförutsedda eller indirekta skador. Återförsäljarens åtgärder skall begränsas till reparation eller byte av felaktiga enheter eller delar.

Med förbehåll för ändringar i produkten och bruksanvisningen. Specifikationer kan ändras utan förvarning.

1. SIKKERHEDSANVISNINGER

Læs de medfølgende sikkerhedsadvarsler, de supplerende sikkerhedsadvarsler og instruktionerne. Såfremt sikkerhedsadvarsler og instruktioner ikke følges, kan dette medføre elektriske stød, brand og/eller alvorlige ulykker. Gem alle sikkerhedsadvarsler og instruktioner til fremtidig reference.

Følgende symboler anvendes i denne brugermanual eller på produktet:



Læs brugermanualen.



Angiver risiko for personskade, dødsfald eller beskadigelse af værktøjet i tilfælde af manglende overholdelse af anvisningerne i denne vejledning.



Risiko for elektrisk stød.



Variabel elektronisk hastighed.



Brug beskyttelsesbriller. Brug høreværn.



Bær en støvmaske.



Klasse II-maskine - Dobbeltisoleret – Du har ikke brug for et jordstik.



Produktet overholder de gældende sikkerhedsstandarder i de europæiske direktiver.

GENERELLE SIKKERHEDSFORSKRIFTER



Advarsel! Læs alle sikkerhedsadvarsler og alle anvisninger. Hvis alle nedenstående instruktioner ikke følges, kan det resultere i elektrisk stød, brand og/eller alvorlig personskade.

Gem disse instruktioner.

Udtrykket "elektrisk maskine" i alle advarslerne nedenfor henviser til elektriske maskiner/værktøj/redskaber, der via en ledning tilkobles elnettet eller strømforsynes via batteri (accu).

1) Arbejdsområde

- a) **Arbejdsområdet skal være rent og tilstrækkeligt belyst.** Rodede og mørke arbejdsområder giver større risiko for ulykker.

- b) **Brug ikke elektriske maskiner i eksplosive omgivelser, f.eks. i nærheden af brandfarlige væsker, gasser eller støv.** Elektriske maskiner frembringer gnister, som kan antænde støv eller dampe.
- c) **Hold børn og omkringstående på afstand, når der bruges elektriske maskiner.** Hvis man distraheres, kan man miste kontrollen over den elektriske maskine.

2) Elektrisk sikkerhed

- a) **Stik til elektriske maskiner skal passe til stikkontakten. Der må ikke foretages ændringer af stikket. Brug ikke snydepropper til jordede (jordforbundne) elektriske maskiner.** Originale stik og tilsvarende kontakter mindsker risikoen for elektrisk stød.
- b) **Undgå kropskontakt med jordede eller jordforbundne overflader som f.eks. rør, radiatorer, komfurer og køleskabe.** Der er øget risiko for elektrisk stød, hvis kroppen er jordet eller jordforbundet.
- c) **Elektriske maskiner må ikke udsættes for regn eller våde omgivelser.** Hvis der kommer vand i den elektriske maskine, øges risikoen for elektrisk stød.
- d) **Brug ikke ledningen forkert. Brug ikke ledningen til at bære eller trække maskinen og heller ikke for at tage ledningen ud af stikkontakten. Hold ledningen væk fra stærk varme, olie, skarpe kanter og bevægelige dele.** Beskadigede eller filtrede ledninger øger risikoen for elektrisk stød.
- e) **Når en elektrisk maskine bruges udendørs, skal man bruge en forlængerledning, der er beregnet til udendørs brug.** Hvis der bruges en forlængerledning, der er beregnet til udendørs brug, mindskes risikoen for elektrisk stød.
- f) **Hvis det ikke kan undgås at bruge et maskinværktøj i et fugtigt miljø, bør du anvende en forsyning, der er beskyttet af en fejlstrømsafbryder (RCD).** Brugen af en RCD reducerer risikoen for elektrisk stød.

3) Personlig sikkerhed

- a) **Vær agtpågivende, hold øjnene rette mod det, du laver, og brug almindelig sund fornuft, når du bruger en elektrisk maskine. Brug ikke en elektrisk maskine, hvis du er træt eller er under påvirkning af narkotika, alkohol eller medicin.** Et øjeblikks uopmærksomhed under arbejdet med en elektrisk maskine kan resultere i alvorlig personskade.
- b) **Brug personligt sikkerhedsudstyr. Brug altid beskyttelsesbriller.** Sikkerhedsudstyr som

- støvmaske, skridsikre sko, hjelm eller høreværn, brugt når det er nødvendigt, mindsker risikoen for personskade.
- c) **Undgå utilsigtet start. Sørg for, at der er slukket på afbryderen, før stikket sættes i stikkontakten.** Hvis maskinværktøj bæres med fingeren på kontakten, eller når maskinværktøj strømføres med tændt kontakt, kan der nemt ske ulykker.
- d) **Fjern justeringsnøgler og tænger, før der tændes for den elektriske maskine.** En tang eller nøgle, der sidder på en roterende del af den elektriske maskine, kan resultere i personskade.
- e) **Ræk ikke for langt ud. Stå sikkert på fødderne og vær altid i god balance.** Det giver bedre kontrol over maskinen i uventede situationer.
- f) **Tag passende tøj på. Bær ikke løstsiddende tøj eller smykker. Hold hår, tøj og handsker væk fra bevægelige dele.** Løstsiddende tøj, smykker eller langt hår kan blive grebet af bevægelige dele.
- g) **Hvis der forefindes tilslutning til støvudsugning og -opsamling, skal man sørge for, at udstyret er tilsluttet og bruges.** Brug disse muligheder for at mindske risikoen for støvrelaterede risici.
- h) **Lad ikke kendskab opnået gennem hyppig brug af værktøj lade dig blive tilbagelænet og ignorere værktøjssikkerhedsprincipper.** En skødesløs handling kan forårsage alvorlig personskade inden for en brøkdel af et sekund.
- 4) **Brug og behandling af elektriske maskiner**
- a) **Brug ikke magt på den elektriske maskine. Brug kun den elektriske maskine til det, den er beregnet til.** Den rette elektriske maskine gør arbejdet bedre og mere sikkert ved den effekt, der er foreskrevet.
- b) **Brug ikke den elektriske maskine, hvis afbryderen ikke kan tænde og slukke.** En elektrisk maskine, der ikke kan tændes og slukkes på afbryderen, er farlig og skal repareres.
- c) **Tag stikket ud af stikkontakten før justering, udskiftning af tilbehør, og før den elektriske maskine gemmes væk.** Sådanne forebyggende sikkerhedsforanstaltninger mindsker risikoen for, at den elektriske maskine starter ved et uheld.
- d) **Elektriske maskiner, der ikke bruges, skal opbevares utilgængeligt for børn, og personer, der ikke har kendskab til den elektriske maskine eller disse instruktioner, må ikke bruge den elektriske maskine.** Elektriske maskiner er farlige i hænderne på uøvede personer.
- e) **Elektriske maskiner skal vedligeholdes. Check for forkert justering og fastsiddende bevægelige dele, defekte dele og andre ting, som kan påvirke den elektriske maskines korrekte funktion. Hvis den elektriske maskine er beskadiget, skal den repareres før brug.** Mange ulykker skyldes, at elektriske maskiner er dårligt vedligeholdt.
- f) **Skærende værktøj skal holdes skarpe og rene.** Korrekt vedligeholdt skærende værktøj med skarpe skær kommer ikke så let til at sidde fast og er nemmere at styre.
- g) **Brug den elektriske maskine, tilbehør, tool-bits osv. i henhold til disse instruktioner og på den måde, som denne specielle maskine er beregnet til, idet man skal tage hensyn til arbejdsforholdene og arbejdet, der skal udføres.** Brug af den elektriske maskine til andet, end den er beregnet til, kan resultere i farlige situationer.
- h) **Hold håndtag og gribeblader tørre, rene og fri fra olie og fedtstof.** Glatte håndtag og gribeblader giver ikke mulighed for sikker håndtering og kontrol af værktøjet i uventede situationer.
- 5) **Service**
- a) **Få foretaget service på dit maskinværktøj af en kvalificeret reparatør, der kun bruger identiske udskiftningsdele.** Dette sikrer, at maskinværktøjet fortsat er sikkert at bruge.

YDERLIGERE SIKKERHEDSINSTRUKTIONER

- Brug ikke overdimensionerede slibebark, men følg producentens specifikationer for størrelsen af slibebark. Slibebark, der stikker ud over slibepuden, kan forårsage personskader samt blokere og rive slibebarkene op eller forårsage tilbageslag.
- Det anbefales ikke at slibe blymaling. Blymaling bør kun fjernes af en specialist.
- Undlad at arbejde på materialer, der frigiver farlige stoffer (f.eks. asbest). Træf foranstaltninger, hvis der er sandsynlighed for dannelse af farligt, brændbart eller eksplosivt støv. Bær en beskyttelsesmaske. Brug et støvudsugningssystem.
- Hvis der slibes gipsplader eller gips, kan dette medføre, at der opbygges statisk elektricitet på værktøjet. Af sikkerhedsmæssige hensyn er girafsliberen jordforbundet. Fjern kun støv med en jordforbundet støvudsuger.
- Arbejd ikke med materialer, som indeholder asbest. Asbest anses for at være kræftfremkaldende.
- Brug aldrig maskinen til at slibe arbejdsemner af magnesium.

- Brug beskyttelsesbriller. Brug høreværn. Anvend om nødvendigt andre beskyttelsesanordninger såsom sikkerhedshandsker, sikkerhedssko etc.
- Hold maskinen på de isolerede grebsflader, hvis tilbehøret kan få kontakt med skjulte strømførende ledninger eller maskinens eget kabel. Hvis tilbehøret får kontakt med en 'strømførende ledning', vil maskinens metaldelene også være strømførende. Risiko for elektrisk stød.
- Vær meget forsigtig, når malede overflader slibes.
- Før anvendelse, fjern alle søm og andre metalgenstande fra arbejdsområdet.
- Sørg for, at arbejdsområdet er monteret korrekt og fastspændt.
- Brug kun sandpapir, som er passende til brug med maskinen.
- Brug kun sandpapir med de rigtige mål. Kontroller, at sandpapiret er korrekt monteret.
- Undersøg sandpapiret før hver brug. Anvend ikke sandpapir, som er slidt på grund af langvarig brug.
- Sæt aldrig maskinen fra dig på et bord eller en arbejdsbænk, før den er slukket.

Elektrisk sikkerhed



Kontroller altid, at strømforsyningens spænding svarer til spændingen på typeskiltet.

- Brug ikke maskinen, hvis strømkablet eller stikket er beskadiget.
- Brug kun forlængerledninger, der passer til maskinens spænding og som har en minimumtykkelse på 1.5 mm². Hvis du anvender en kabeltromle, skal kablet altid rulles helt ud.

2. MASKINOPLYSNINGER

Tilsigtet brug

Maskinen er beregnet til slibning af vægge og lofter, til slibning af glatte gipsvægge samt til fjernelse af maling, tapet og rester af klæbemiddel. Det er ikke tilladt at bruge skærehjul, skrubsriver, blæserlignende slibesriver eller stålborster. Maskinen er ikke velegnet til behandling af genstande, der indeholder asbest. Forkert brug kan beskadige værktøjet.

TEKNISKE SPECIFIKATIONER

Model nr.	DS502AC
Spænding	220-240V ~
Frekvens	50/60 Hz
Indgangseffekt	1050W
Omdrejningstal ubelastet	600-2600/min
Diskens diameter	Ø 215 mm
Vægt	5.04 kg
Lydtrykniveau L _{PA}	93+3 dB(A)
Lydeffektniveau L _{WA}	104+3 dB(A)
Vibration	4,16+1,5 m/s ²



Brug høreværn.

Vibrationsniveau

Det vibrationsniveau, der er anført bag på denne betjeningsvejledning er målt i henhold til den standardiserede test som anført i EN 60745; den kan benyttes til at sammenligne to stykker værktøj og som en foreløbig bedømmelse af udsættelsen for vibrationer, når værktøjet anvendes til de nævnte formål:

- anvendes værktøjet til andre formål eller med andet eller dårligt vedligeholdt tilbehør, kan dette øge udsættelsesniveauet betydeligt;
- de tidsrum, hvor værktøjet er slukket, eller hvor det kører uden reelt at udføre noget arbejde, kan reducere udsættelsesniveauet betydeligt.

Beskyt dig selv imod virkningerne af vibrationer ved at vedligeholde værktøjet og dets tilbehør, ved at holde dine hænder varme og ved at organisere dine arbejdsmønstre.

BESKRIVELSE

Tallene i den følgende tekst korresponderer med afbildningen på side 2-4.

Fig. A

1. Tænd/sluk-kontakt
2. Knap til hastighedsjustering
3. Hængsel
4. Øverste håndtag
5. Midterhåndtag
6. Nederste håndtag
7. Støvslangekonnektor
8. Støvslange

9. Støvpose
10. Klemme
11. Rem
12. Dæksel til slibepude
13. Hængsellås
14. Teleskopisk forlængelse
15. Konnektor til teleskopisk forlængelse
16. Slibepude
17. Slibepapir
18. Sekskantnøgleholder

3. SAMLING



Inden montering, skal maskinen altid slukkes, og netstikket skal tages ud af stikkontakten.

Montering af det foldbare rør (fig. B)

1. Fold teleskoprøret på girafsliberen helt ud, som vist på figur B1.
2. Fastgør med hængsellåsen (13), som vist på figur B2. Sørg for, at hængsellåsen (13) er korrekt tilkoblet. For at adskille de foldbare rør skal du blot åbne hængsellåsen (13). Nu kan teleskoprøret foldes sammen.

Montering af teleskoprøret (fig. C)

1. Indsæt den teleskopiske forlængelse (14) i åbningen af midterhåndtaget (5), som vist på figur C1. Sørg for, at den flade del af røret flugter med den flade del af åbningen.
2. Stram konnektoren til teleskopisk forlængelse (15) ved at dreje den med uret, som vist i figur C2.

Bemærk: Maskinen kan også bruges uden den teleskopiske forlængelse (14). For at gøre dette skal du springe dette trin over og montere støvudsugningsystemet direkte på midterhåndtaget (5) i stedet for det nederste håndtag (6).

Montering af støvudsugningssystemet (fig. D)

Det anbefales kraftigt at bruge maskinen med støvslangen og støvposen for at sikre en optimal støvudsugning.

1. Indsæt støvslangen (8) med konnektoren (7) i åbningen af det nederste håndtag (6), som vist på figur D1. Sørg for, at den flade del af røret flugter med den flade del af åbningen.
2. Stram støvslangekonnektoren (7) ved at dreje den med uret, som vist i figur D2.

Bemærk: Støvposen bør tømmes, når posen er halvt fuld, for at bevare en optimal støvudsugning.

Montering og fjernelse af slibepapir (fig. F)

- Hold maskinen på siden eller hovedet, som vist på fig. F.
- Sæt slibepapir (17) med den påkrævede kornstørrelse på slibepuden (16). Sørg for, at perforeringen i slibepapiret (17) stemmer overens med perforeringen på slibepapiret (16).
- For at fjerne slibepapiret (17) skal du blot trække slibepapiret fra slibepuden (16).

Bemærk: Brug groft slibepapir til slibning af grove, ujævne overflader. Brug mellemgroft slibepapir til at fjerne de tilbageværende ridser efter groft slibepapir. Brug fint slibepapir til overfladebehandling.

Udskiftning af slibepuden (fig. F)



Sæt kun den slibepude på maskinen, der er angivet af producenten.

Sådan fjerner du slibepuden:

1. Fjern sandpapiret (17) fra slibepuden (16).
2. Indsæt den medfølgende sekskantnøgle i boltene på slibepuden (16).
3. Mens du holder godt fast i slibepuden (16), skal du dreje nøglen mod uret for at løsne den sekskantede bolt.
4. Slibepuden (16) kan nu fjernes.

Sådan monterer du slibepuden:

1. Monter slibepuden (16) på maskinen.
2. Indsæt boltene på slibepuden (16), og indsæt sekskantnøglen i boltene.
3. Mens du holder godt fast i slibepuden (16), skal du dreje nøglen med uret for at fastgøre den sekskantede bolt.

4. BETJENING

Tænd og sluk (fig. A)

- Tænd for maskinen ved at rykke tænd/sluk-kontakten (1) opad.
- Sluk for maskinen ved at rykke tænd/sluk-kontakten (1) nedad.

Bemærk: Det anbefales at holde motoren i drift i en kort periode efter slibning, så reststøvet kan samles i posen.

Hastighedsjustering (fig. A)

Den påkrævede hastighed kan justeres ved hjælp af knappen til hastighedsjustering (2). Under drift kan rotationshastigheden også justeres.

- For at øge hastigheden skal du dreje hastighedsindstillingsknappen (2) med uret.
- For at reducere hastigheden skal du dreje hastighedsindstillingsknappen (2) mod uret.

De påkrævede hastigheder afhænger af materialet og kan afgøres gennem praktisk test.

Justering af teleskoprørets længde (fig. C2)

1. Løsn konnektoren (15) ved at dreje den mod uret.
2. Træk teleskoprøret ud eller ind til den ønskede længde. Vær opmærksom på advarselmærket på teleskoprøret, der angiver den maksimale længde, for at sikre stabilitet.
3. Stram konnektoren (15) ved at dreje den med uret.

Låsning af slibehovedet (fig. E)

Slibehovedets bevægelse kan låses i opadrettet position. På denne måde bliver arbejdet mere behageligt under slibning af lofter.

1. Flyt slibepuden (16) til opadrettet position, som vist på figur E1.
2. Mens du holder i slibepuden (16) skal du skubbe remmen (11) over klemmen (10), som vist på figur E2.

For at låse slibehovedets bevægelse skal du blot fjerne remmen (11) fra klemmen (10) ved at skubbe den af. Slibehovedet kan nu bevæge sig frit.

Tips for optimal anvendelse

- Hold fast i maskinen med håndtaget.
- Tænd maskinen.
- Anbring slibesålen med sandpapiret direkte på arbejdsemnet.
- Bevæg langsomt maskinen over arbejdsemnet, mens du presser slibesålen mod arbejdsemnet.
- Læg ikke for meget pres på maskinen. Lad maskinen gøre arbejdet.
- Sluk for maskinen og vent, til den står helt stille, før maskinen sættes ned.

5. VEDLIGEHOLDELSE

Inden rengøring og vedligeholdelse skal maskinen altid slukkes, og netstikket skal tages ud af stikkontakten.

Rengør maskinbeklædningerne regelmæssigt med en blød klud, helst efter hver anvendelse. Sørg for, at der ikke er støv eller snavs i ventilationsåbningerne. Fjern snavs, der sidder meget godt fast, med en blød klud, der er fugtet i sæbevand. Brug ikke opløsningsmidler, som f.eks. benzin, sprit, ammoniak osv. Kemikalier som disse beskadiger de syntetiske komponenter.

MILJØ

Defekte og/eller bortskaffede elektriske og elektroniske apparater skal afleveres på en passende genbrugsstation.

Kun for EU-lande

Smid ikke el-værktøjer ud sammen med almindeligt affald. I henhold til de europæiske direktiver 2012/19/EU for elektrisk og elektronisk udstyr og er implementeret i henhold til nationale rettigheder, el-værktøj som ikke længere er anvendelig skal indsamles separat og genbruges på en miljøvenlig måde.

GARANTI

VONROC produkter er udviklet efter de højeste kvalitetsstandarder og er garanteret fri for mangler i såvel materialer som udførelse i den lovpligtige periode, der starter fra datoen for det oprindelige køb. Skulle produktet udvikle nogen fejl i løbet af denne periode på grund af defekte materialer og/eller fabrikationsfejl, så kontakt VONROC direkte.

De følgende forhold er udelukket fra denne garanti:

- Reparationer og eller rettelser er blevet foretaget eller forsøgt foretaget på maskinen af uautoriserede servicecentre.
- Normal slitage.
- Værktøjet har været misligholdt, misbrugt eller vedligeholdt forkert.
- Ikke originale reservedele er blevet anvendt.

Dette udgør den eneste garanti fra virksomheden enten udtrykt eller underforstået. Der er ingen

andre garantier udtrykt eller underforstået, som strækker sig ud over forsiden heraf, heri, herunder underforståede garantier for salgbarhed og egnethed til et bestemt formål. VONROC vil under ingen omstændigheder være ansvarlig for hændelige skader eller følgeskader. Forhandlernes afhjælpningsmidler vil være begrænsede til reparation eller udskiftning af fejlbehæftede enheder eller dele.

Produktet og brugermanualen kan ændres. Specifikationer kan ændres uden forudgående varsel.

1. INSTRUKCJE BEZPIECZEŃSTWA

Należy zapoznać się z ostrzeżeniami dotyczącymi bezpieczeństwa, dodatkowymi ostrzeżeniami i instrukcjami. Niestosowanie się do ostrzeżeń dotyczących bezpieczeństwa może zakończyć się porażeniem przez prąd, pożarem i/lub poważnymi obrażeniami ciała. Ostrzeżenia dotyczące bezpieczeństwa oraz instrukcję należy przechowywać w dostępnym miejscu.

W podręczniku użytkownika urządzenia lub na urządzeniu umieszczono następujące symbole:



Przeczytać instrukcję obsługi.



Oznacza ryzyko obrażeń ciała, śmierci lub uszkodzenia narzędzia w razie nieprzestrzegania poleceń z instrukcji.



Ryzyko porażenia prądem



Zmienna predkosc elektroniczna.



*Używać gogli ochronnych.
Stosować osłonę dla uszu.*



Nosić maskę przeciwpyłową



Maszyna klasy II - Podwójna izolacja - Nie trzeba stosować wtyczek z uziemieniem.



Urządzenie jest zgodne z odpowiednimi normami bezpieczeństwa zawartymi w dyrektywach europejskich.

OGÓLNE ZALECENIA DOTYCZĄCE BEZPIECZEŃSTWA



UWAGA! Przeczytać wszystkie ostrzeżenia dotyczące bezpieczeństwa i wszystkie instrukcje. Nieprzestrzeganie wszystkich poniższych instrukcji może być przyczyną porażenia prądem, pożaru i/lub poważnych obrażeń.

Zachowaj poniższe instrukcje.

Termin „elektronarzędzia akumulatorowe” we wszystkich ostrzeżeniach zamieszczonych poniżej odnosi się do elektronarzędzi akumulatorowych zasilanych sieciowo (przewodowych) lub elektronarzędzi akumulatorowych działających na baterie (beprzewodowych).

- 1) Obszar roboczy**
- a) **Obszar roboczy należy utrzymywać w czystości.** Powinien on być dobrze oświetlony. Nieład i złe oświetlenie mogą z łatwością doprowadzić do wypadku.
- b) **Nie korzystaj z elektronarzędzi akumulatorowych w warunkach, w których łatwo może dojść do wybuchu, np. w obecności łatwopalnych cieczy, gazów lub pyłu.** Podczas pracy elektronarzędzi akumulatorowych powstają iskry, które mogą doprowadzić do zapłonu pyłu lub oparów.
- c) **Dzieci i inne osoby postronne powinny pozostać w bezpiecznej odległości od pracującego urządzenia.** Rozproszenie uwagi może spowodować utratę kontroli nad urządzeniem.
- 2) Bezpieczeństwo związane z elektrycznością**
- a) **Wtyczki elektronarzędzi akumulatorowych muszą być odpowiednie do danego gniazda. Pod żadnym pozorem nie należy modyfikować wtyczki w jakikolwiek sposób. Nie należy używać adapterów, które uziemiają elektronarzędzia akumulatorowe.** Stosowanie wtyczek nie poddanych modyfikacjom oraz odpowiednich gniazd zmniejsza ryzyko porażenia prądem.
- b) **Należy unikać bezpośredniego kontaktu fizycznego z powierzchniami uziemionymi, takimi jak rury, grzejniki, kuchenki, lodówki.** Ryzyko porażenia prądem jest większe, jeśli ciało osoby obsługującej urządzenie jest uziemione.
- c) **Nie należy wystawiać elektronarzędzi akumulatorowych na działanie deszczu lub wilgoci.** Dostanie się wody do wnętrza elektronarzędzia akumulatorowego zwiększy ryzyko porażenia prądem.
- d) **Nie należy używać przewodu w niewłaściwy sposób. Pod żadnym pozorem nie należy wykorzystywać przewodu do przenoszenia lub ciągnięcia elektronarzędzia akumulatorowego, ani do jego odłączania od sieci. Przewodu nie należy wystawiać na działanie ciepła, smarów. Powinien on znajdować się w bezpiecznej odległości od ostrych krawędzi i części ruchomych.** Przewody uszkodzone lub poplątane zwiększają ryzyko porażenia prądem.
- e) **Podczas korzystania z elektronarzędzia akumulatorowego na wolnym powietrzu, należy używać przewodu przedłużacza przystosowanego do użytku na zewnątrz.** Używanie przewodu nadającego się do użytku na wolnym powietrzu zmniejsza ryzyko porażenia prądem.
- f) **Jeśli obsługa elektronarzędzia w wilgotnym miejscu jest nieunikniona, użyć zasilania wyposażonego w wyłącznik różnicowo-prądowy.** Użycie wyłącznika różnicowo-prądowego zmniejsza ryzyko porażenia prądem.
- 3) Bezpieczeństwo osoby obsługującej urządzenie**
- a) **Przez cały czas należy mieć się na baczności, uważać na to, co się robi, a w czasie obsługi elektronarzędzia akumulatorowego postępować mając na uwadze zdrowy rozsądek. Urządzenia nie powinny obsługiwać osoby zmęczone lub będące pod wpływem narkotyków, alkoholu lub leków.** Chwila nieuwagi w czasie obsługi elektronarzędzi akumulatorowych może być przyczyną powstania poważnych obrażeń ciała.
- b) **Należy korzystać ze sprzętu ochronnego oraz zawsze nosić okulary ochronne.** Sprzęt ochronny, jak na przykład maska przeciwpyłowa, antypoślizgowe obuwie ochronne, kask lub słuchawki ochronne używany we właściwych sytuacjach pozwoli na zmniejszenie ryzyka obrażeń ciała.
- c) **Unikać niezamierzonego uruchomienia. Przed podłączeniem urządzenia do sieci, zawsze sprawdzić, czy przełącznik znajduje się w pozycji „wyłączony”.** Przenoszenie elektronarzędzi z palcem na przełączniku lub włączonych elektronarzędzi z przełącznikiem w położeniu włączenia jest bardzo niebezpieczne i może powodować wypadki.
- d) **Przed włączeniem elektronarzędzia akumulatorowego należy usunąć z niego wszystkie klucze nastawcze lub maszynowe.** Pozostawienie klucza zamocowanego na jednej z części obrotowych urządzenia może spowodować powstanie obrażeń ciała.
- e) **Nie należy sięgać ponad urządzeniem. Przez cały czas należy zachować odpowiednią równowagę i zapewnić odpowiednie oparcie dla stóp.** Pozwoli to na lepsze kontrolowanie urządzenia w nieoczekiwanych sytuacjach.
- f) **Należy nosić odpowiednie ubranie. Do pracy z urządzeniem nie wkładać luźnych ubrań ani biżuterii. Włosy, ubranie i rękawiczki trzymać z dala od części ruchomych.** Luźne części ubrania, biżuteria lub długie włosy mogą zostać wciągnięte przez części ruchome.
- g) **Jeśli w urządzeniu przewidziano elementy służące do odprowadzania i zbierania pyłu, należy sprawdzić, czy są podłączone, i czy działają we właściwy sposób.** Używanie z tego typu

- elementów pozwala ograniczyć ryzyko związane z wydzielaniem pyłu podczas pracy urządzenia.
- h) **Nie zezwalać na to, aby rutyna związana z częstym korzystaniem z narzędzi powodowała nadmierną pewność siebie i ignorowanie zasad bezpiecznego korzystania z narzędzi.** Nieodpowiedzialne działanie może spowodować poważne obrażenia ciała w ułamku sekundy.
- 4) **Obsługa i konserwacja elektronarzędzi akumulatorowych**
- a) **Urządzenia nie należy przeciążać. Należy korzystać z narzędzia odpowiedniego do danego typu pracy.** Odpowiednio dobrane urządzenie pozwoli na lepsze i bezpieczniejsze wykonanie pracy, we właściwym dla urządzenia tempie.
- b) **Z elektronarzędzia akumulatorowego nie należy korzystać, jeśli nie można go włączyć i wyłączyć przy pomocy przełącznika.** Urządzenie, którego nie można kontrolować używając przełącznika jest niebezpieczne i powinno być oddane do naprawy.
- c) **Przed przystąpieniem do regulowania elektronarzędzi akumulatorowych, wymiany akcesoriów lub przygotowywania urządzeń do okresu przechowywania, należy odłączyć wtyczkę od źródła zasilania.** Tego typu środki ostrożności zmniejszają ryzyko przypadkowego uruchomienia urządzenia.
- d) **Nieczynne elektronarzędzia akumulatorowe należy przechowywać poza zasięgiem dzieci. Nie należy pozwolić, aby osoby nie znające urządzenia lub niniejszych instrukcji obsługi obsługi urządzenie.** Elektronarzędzia akumulatorowe w rękach niekompetentnych użytkowników stanowią zagrożenie.
- e) **Elektronarzędzia akumulatorowe należy utrzymywać w dobrym stanie technicznym. Należy sprawdzać, czy części ruchome są właściwie założone, i czy się nie zacinają. Należy również sprawdzać, czy jakieś części nie są uszkodzone oraz sprawdzać wszelkie inne elementy, które mogą wpłynąć na pracę urządzeń. Jeśli urządzenie jest uszkodzone, przed przystąpieniem do jego użytkowania, należy je naprawić.** Częstą przyczyną wypadków jest zły stan techniczny urządzeń.
- f) **Narzędzia służące do cięcia powinny być naostrzone i utrzymywane w czystości.** Jeśli narzędzia służące do cięcia, które posiadają ostre krawędzie tnące, są właściwie konserwowane, istnieje mniejsze prawdopodobieństwo ich zacięcia się. Ponadto, łatwiej je kontrolować.
- g) **Elektronarzędzia akumulatorowego, akcesoriów, nakładek, itp. należy używać zgodnie z niniejszymi instrukcjami oraz w sposób właściwy dla danego rodzaju urządzenia, z uwzględnieniem warunków pracy oraz jej rodzaju.** Używanie urządzenia niezgodnie z przeznaczeniem może prowadzić do powstania sytuacji niebezpiecznych.
- h) **Nie zezwalać na to, aby rutyna związana z częstym korzystaniem z narzędzi powodowała nadmierną pewność siebie i ignorowanie zasad bezpiecznego korzystania z narzędzi.** Nieodpowiedzialne działanie może spowodować poważne obrażenia ciała w ułamku sekundy.
- 5) **Serwis**
- a) **Zlecać serwisowanie elektronarzędzie wykwalifikowanemu technikowi stosującymi jedynie części zamienne identyczne z oryginalnymi.** Zapewni to zachowanie bezpieczeństwa elektronarzędzia.

DODATKOWE INSTRUKCJE BEZPIECZEŃSTWA

- Nie używać za dużych arkuszy papieru ściernego, lecz przestrzegać zaleceń producenta dotyczących rozmiaru arkuszy papieru ściernego. Arkusze papieru ściernego wystające poza podkładkę do szlifowania mogą powodować obrażenia ciała, blokowanie i rozrywanie papieru ściernego lub odskakiwanie narzędzia.
- Nie zaleca się szlifowania farby ołowiowej. Farbę ołowiową powinien usuwać wyłącznie specjalista.
- Nie pracować z materiałami uwalniającymi substancje niebezpieczne (np. azbest). Podjąć środki ostrożności, jeśli może występować pył niebezpieczny, palny lub wybuchowy. Nosić ochronną maskę przeciwpyłową. Używać systemu odsysania pyłu.
- Szlifowanie płyty gipsowej lub tynku może powodować gromadzenie się ładunków elektrostatycznych w narzędziu. Aby zapewnić bezpieczeństwo, szlifierka ścienna jest uziemiona. Usuwać pył wyłącznie z użyciem uziemionego odsysacza pyłu.
- Nie pracować z materiałami zawierającymi azbest. Azbest jest uznawany za substancję rakotwórczą.
- Nie używać narzędzia do szlifowania magnezu.
- Nosić okulary ochronne. Nosić ochronniki słuchu. W razie potrzeby korzystać z innych

środków ochrony, jak rękawice ochronne, buty ochronne itp.

- Trzymać narzędzie za izolowane powierzchnie do chwytania, jeśli istnieje ryzyko zetknięcia się akcesorium z niewidocznym okablowaniem lub kablem sieciowym. Jeśli akcesorium dotknie przewodu pod napięciem, odsłonięte metalowe części narzędzia również znajdują się pod napięciem. Ryzyko porażenia prądem.
- Zachować szczególną ostrożność podczas szlifowania malowanych powierzchni.
- Przed rozpoczęciem pracy usunąć wszystkie gwoździe i inne metalowe przedmioty z obrabianego elementu.
- Zapewnić prawidłowe podparcie lub zamocowanie obrabianego przedmiotu.
- Używać wyłącznie papieru ściernego nadającego się do użytku w połączeniu z narzędziem.
- Używać wyłącznie papieru ściernego o właściwych wymiarach. Zapewnić poprawne zamontowanie papieru ściernego.
- Sprawdzić papier ścierny przed każdym użyciem. Nie używać papieru ściernego zużytego w wyniku długotrwałego stosowania.
- Nigdy nie odkładać narzędzia na stół albo blat roboczy przed jego wyłączeniem.

Bezpieczeństwo elektryczne



Zawsze sprawdzać, czy napięcie w sieci odpowiada napięciu na tabliczce znamionowej urządzenia.

- Nie używać urządzenia, jeśli przewód zasilający lub wtyczka jest uszkodzona.
- Używać wyłącznie takich przedłużaczy, które są odpowiednie dla mocy znamionowej urządzenia, o średnicy minimum 1,5 mm². W przypadku używania przedłużacza na szpuli, całkowicie rozwinąć przewód.

2. INFORMACJE O MASZYNIE

Przeznaczenie

Narzędzie jest przeznaczone do szlifowania ścian i sufitów, wygładzania gipsu, usuwania farby, tapet i resztek kleju. Nie wolno używać tarcz tnących, tarcz do obróbki zgrubnej, wachlarzowych tarcz ściernych ani szczotek drucianych. Maszyna nie jest przeznaczona do obróbki powierzchni zawierających azbest. Niewłaściwe użytkowanie może spowodować uszkodzenie narzędzia.

DANE TECHNICZNE

Model No.	DS502AC
Napięcie w sieci	230-240V ~
Częstotliwość w sieci	50/60 Hz
Pobór mocy	1050W
Prędkość bez obciążenia	600-2600/min
Średnica tarczy	Ø 215 mm
Masa	5.04 kg
Ciśnienie dźwięku L _{PA}	93+3 dB(A)
Moc akustyczna L _{WA}	104+3 dB(A)
Wibracje	4.16+1.5 m/s ²



Stosować osłonę dla uszu.

Poziom wibracji

Poziom emisji wibracji podany na końcu tej instrukcji został zmierzony zgodnie z testem standaryzowanym podanym w EN 60745; może służyć do porównania jednego narzędzia z innym i jako ocena wstępna narażenia na wibracje w trakcie używania narzędzia do wymienionych zadań

- Używanie narzędzia do innych zadań, lub z innymi albo źle utrzymanymi akcesoriami, może znacząco zwiększyć poziom narażenia
- Przypadki, kiedy narzędzie jest wyłączone lub jest czynne, ale aktualnie nie wykonuje zadania, mogą znacząco zmniejszyć poziom narażenia

Należy chronić się przed skutkami wibracji przez konserwację narzędzia i jego akcesoriów, zakładanie rękawic i właściwą organizację pracy

OPIS

Liczby w tekście odnoszą się do rysunków na stronach 2-4.

Fig. A

1. Przełącznik wł./wył.
2. Pokrętko regulacji prędkości
3. Zawias
4. Górny uchwyt
5. Środkowy uchwyt
6. Dolny uchwyt
7. Przyłącze węża do odsysania pyłu
8. Wąż do odsysania pyłu
9. Worek na pył
10. Clip

11. Pasek
12. Pokrywa podkładki szlifującej
13. Blokada zawiasu
14. Przedłużenie teleskopowe
15. Złącze przedłużenia teleskopowego
17. Papier ścierny
18. Uchwyt klucza imbusowego

3. MONTAŻ



Przed montażem należy zawsze wyłączyć urządzenie i odłączyć od sieci zasilającej.

Montaż składanej rury (Rys. B)

1. Całkowicie rozłożyć teleskopową rurę szlifierki zgodnie z rysunkiem B1.
2. Zabezpieczyć ją blokadą zawiasu (13) zgodnie z rysunkiem B2. Dopilnować, aby blokada zawiasu (13) była prawidłowo zamknięta. Aby zdemontować składaną rurę, po prostu otworzyć blokadę zawiasu (13). Teraz można złożyć teleskopową rurę.

Montaż teleskopowej rury (Rys. C)

1. Włożyć przedłużenie teleskopowe (14) w otwór w środkowym uchwycie (5) zgodnie z rysunkiem C1. Dopilnować, aby płaska część rury była dopasowana do płaskiej części otworu.
2. Zacisnąć złącze przedłużenia teleskopowego (15), obracając ją zgodnie ze wskazówkami zegara zgodnie z rysunkiem C2.

Uwaga: narzędzia można również używać bez przedłużenia teleskopowego (14). Aby to zrobić, pominąć ten krok i podłączyć układ odsysania pyłu bezpośrednio do środkowego uchwytu (5), a nie do uchwytu dolnego (6).

Montaż układu odsysania pyłu (Rys. D)

Zaleca się używanie narzędzia w połączeniu z węžem do odsysania pyłu i pojemnikiem na pył, co zapewni optymalne gromadzenie pyłu.

1. Włożyć węž do odsysania pyłu (8) z przyłączem (7) w otwór w dolnym uchwycie (6) zgodnie z rysunkiem D1. Dopilnować, aby płaska część rury była dopasowana do płaskiej części otworu.
2. Zacisnąć przyłącze węža do odsysania pyłu (7), obracając je zgodnie ze wskazówkami zegara i rysunkiem D2.

Uwaga: Torbę na pył należy opróżnić, gdy będzie napełniona w połowie, aby zachować optymalne gromadzenie pyłu.

Montaż i zdejmowanie papieru ściernego (Rys. F)

- Położyć narzędzie na boku lub spodem do góry i przytrzymać zgodnie z rysunkiem E
- Założyć papier ścierny (17) o odpowiednim rozmiarze ziarna na podkładkę szlifującą (16). Upewnić się, czy perforacja na papierze ściernym (17) odpowiada perforacji na podkładce szlifującej (16).
- Aby usunąć papier ścierny (17), po prostu ściągnąć go z podkładki do szlifowania (16).

Uwaga: Używać gruboziarnistego papieru ściernego do szlifowania szorstkich i nierównych powierzchni. Używać papieru ściernego ze średnim rozmiarem ziarna do usuwania rys pozostałych po papierze gruboziarnistym. Używać papieru ściernego o niewielkim rozmiarze ziarna do wykańczania powierzchni.

Wymiana podkładki do szlifowania (Rys. A)



Instalować na narzędziu wyłącznie podkładkę do szlifowania zgodną z zalecaniami producenta.

Zdejmowanie podkładki do szlifowania:

1. Zdjąć papier ścierny (17) z podkładki do szlifowania (16).
2. Włożyć dołączony klucz imbusowy w śrubę na podkładce do szlifowania (16).
3. Trzymając mocno podkładkę do szlifowania (16), obracać kluczem przeciwnie do wskazówek zegara, aby poluzować śrubę imbusową.
4. Podkładkę do szlifowania (16) można teraz zdjąć.

Montaż podkładki do szlifowania:

1. Zamontować podkładkę do szlifowania (16) na narzędziu.
2. Włożyć śrubę w podkładkę do szlifowania (16) i włożyć klucz imbusowy w śrubę.
3. Trzymając mocno podkładkę do szlifowania (16), obracać kluczem zgodnie ze wskazówkami zegara, aby dokręcić śrubę imbusową.

4. OBSŁUGA

Włączanie i wyłączenie (Fig. A)

- Aby włączyć narzędzie, przesunąć włącznik (1) do góry.
- Aby wyłączyć maszynę, przesunąć włącznik (1) w dół.

Uwaga: Zaleca się pozostawienie silnika włączonego na krótki okres po zakończeniu szlifowania, aby resztki pyłu mogły zostać odessane do worka.

Regulacja prędkości (Rys. A)

Żądaną prędkość można ustawić za pomocą pokrętki regulacji prędkości (2). Prędkość można regulować również podczas pracy narzędzia.

- Aby zwiększyć prędkość, obrócić pokrętkę regulacji prędkości (2) zgodnie ze wskazówkami zegara.
- Aby zmniejszyć prędkość, obrócić pokrętkę regulacji prędkości (2) przeciwnie do wskazówek zegara.

Wymagana prędkość zależy od materiału i można ją stwierdzić, wykonując testy praktyczne.

Regulacja długości rury teleskopowej (Rys. C2)

1. Poluzować przyłącze (15), przekręcając je przeciwnie do wskazówek zegara.
2. Wysunąć lub wsunąć rurę teleskopową na żądaną długość. Zwracać uwagę na symbol ostrzegawczy na rurze teleskopowej oznaczający maksymalną dopuszczalną długość gwarantującą stabilność.
3. Zaciśnąć przyłącze (15), przekręcając je zgodnie ze wskazówkami zegara.

Blokowanie głowicy szlifującej (Rys. E)

Ruch głowicy szlifującej można zablokować w pozycji górnej. W ten sposób można poprawić komfort pracy podczas szlifowania sufitu.

1. Przesunąć podkładkę szlifującą (16) w górne położenie zgodnie z rysunkiem E1
2. Trzymając podkładkę szlifującą (16), nasunąć pasek (11) na zacisk (10) zgodnie z rysunkiem E2.

Aby odblokować ruch głowicy szlifującej, po prostu zdjąć pasek (11) z zacisku (10), zsuwając go. Teraz głowica szlifująca będzie mogła poruszać się swobodnie.

Porady dotyczące optymalnego użytkowania

- Mocno trzymać narzędzie obiema rękami.
- Włączyć narzędzie.
- Przyłożyć podkładkę szlifującą z papierem ściernym do obrabianego elementu.
- Powoli przesuwając narzędzie po obrabianym elemencie, mocno dociskając podkładkę szlifującą do obrabianego elementu.
- Nie naciskać narzędzia za mocno. Pozwolić mu wykonać swoją pracę.
- Wyłączyć narzędzie i poczekać, aż całkowicie się zatrzyma przed jego odłożeniem.

5. KONSERWACJA



Zawsze odłączać narzędzie od zasilania sieciowego przed rozpoczęciem przeprowadzania jakichkolwiek prac konserwacyjnych.

Czyścić obudowę maszyny regularnie miękką ściereczką, najlepiej po każdym użyciu. Dopilnować, aby otwory wentylacyjne były wolne od pyłu, kurzu i zabrudzeń. Usuwać odporne zabrudzenia miękką ściereczką zwilżoną mydlinami. Nie używać żadnych rozpuszczalników, takich jak benzyna, alkohol, amoniak itp. Takie substancje chemiczne spowodują uszkodzenie części z tworzyw sztucznych.

ŚRODOWISKO



Uszkodzone i/lub niepotrzebne urządzenia elektryczne lub elektroniczne podlegają zbiórce w odpowiednich punktach recyklingu.

Tylko kraje WE

Nie wyrzucać elektronarzędzi wraz z odpadami z gospodarstw domowych. Zgodnie z dyrektywą 2012/19/EU dotyczącą zużytych urządzeń elektrycznych i elektronicznych oraz jej wdrożeniem do prawodawstwa krajowego, elektronarzędzia, które już nie nadają się do użytku, podlegają oddzielnej zbiórce oraz utylizacji w sposób przyjazny dla środowiska.

GWARANCJA

Produkty VONROC są wytwarzane zgodnie z najwyższymi standardami jakości i producent udziela gwarancji na wady materiałowe i wady wykonania na okres wymagany prawem, licząc od dnia zakupu. Jeśli wystąpi usterka produktu w tym okresie

spowodowana wadą materiałową i/lub wadą wykonania, proszę bezpośrednio skontaktować się ze sprzedawcą VONROC.

Następujące okoliczności powodują unieważnienie gwarancji:

- Przeprowadzono naprawy lub modyfikacje narzędzia w serwisie innym lub autoryzowany lub podjęto ich próbe;
- Normalne zużycie nie jest objęte gwarancją;
- Narzędzie było używane niezgodnie z przeznaczeniem, źle z nim się obchodzono lub było nieprawidłowo konserwowane;
- Użyto części zamiennych innych niż oryginalne.

Niniejsza gwarancja to wyłączna gwarancja producenta i nie obowiązują żadne inne wyrażone ani dorozumiane gwarancje. Nie obowiązują żadne inne wyrażone ani dorozumiane gwarancje o zakresie przekraczającym niniejszą gwarancję, co obejmuje dorozumiane gwarancje przydatności do sprzedaży i przydatności do określonego celu. W żadnym przypadku firma VONROC nie ponosi odpowiedzialności za straty przypadkowe lub wynikowe. Zadośćuczynienie sprzedawcy jest ograniczone do naprawy lub wymiany niezgodnych urządzeń lub części.

Produkt i instrukcja obsługi podlegają zmianom. Dane techniczne podlegają zmianom bez uprzedzenia.

1. INSTRUCȚIUNI DE SIGURANȚĂ

Citiți avertizările de siguranță, avertizările de siguranță suplimentare și instrucțiunile. Nerespectarea avertizărilor de siguranță poate cauza producerea de electrocutări, incendii și/sau răniri grave. Păstrați avertizările de siguranță și instrucțiunile pentru referințe viitoare.

În manualul de utilizare sau pe produs se utilizează următoarele simboluri:



Citiți manualul de utilizare.



Indică riscul de rănire personală, pierderea vieții sau deteriorarea sculei în cazul în care nu se respectă instrucțiunile din acest manual.



Pericol de electrocutare.



Turatie variabila electronic.



*Purtați ochelari de protecție.
Purtați protecții antifonice.*



Purtați o mască antipraf.



Mașină clasa II - Izolație dublă - Nu aveți nevoie de nicio priză de împământare.



Produsul este în conformitate cu standardele de siguranță aplicabile din directivele europene.

REGULI GENERALE DE PROTECȚIA MUNCII



AVERTISMENT! Citiți toate avertizările de siguranță și toate instrucțiunile. Respectarea tuturor instrucțiunilor prezentate în cele ce urmează este obligatorie pentru evitarea riscurilor de electrocutare, incendiu și/sau de vătămări grave.

Păstrați aceste instrucțiuni.

Termenul "sculă electrică" ce apare în toate avertismentele de mai jos se referă la scula electrică alimentată la priză (prin cablu de alimentare) sau la scula electrică alimentată prin acumulatori (fără cablu de alimentare).

1) Spațiul de lucru

- a) **Mențineți spațiul de lucru curat și bine iluminat.** Spațiile de lucru dezordonate și întunecate predispun la accidente.
- b) **Nu utilizați sculele electrice în medii explozive, ca de exemplu în prezența unor materiale inflamabile cum ar fi lichide, gaze sau praf.** Sculele electrice produc scânteii, care pot aprinde praful sau vaporii.
- c) **În timpul lucrului cu o sculă electrică, nu lăsați copiii sau priverii să se apropie.** Micșorarea atenției vă poate face să pierdeți controlul.

2) Securitatea din punct de vedere electric

- a) **Ștecherile sculelor electrice trebuie să se privească în priza de alimentare. Nu modificați ștecherul niciodată și în nici un fel. Nu folosiți ștechere de adaptare pentru sculele electrice cu legare la pământ (împământate).** Ștecherele nemodificate și prizele de alimentare corespunzătoare vor reduce riscul de electrocutare.
- b) **Evitați contactul corporal cu suprafețele împământate, cum ar fi conducte, radiatoare, plite sau frigider.** Există un risc sporit de electrocutare în cazul în care corpul dumneavoastră este legat la pământ.
- c) **Nu expuneți sculele electrice la ploaie sau la umezeală.** În urma intrării apei într-o sculă electrică va crește riscul de electrocutare.
- d) **Nu forțați cablul de alimentare. Nu folosiți niciodată cablul de alimentare pentru transportul, tragerea sau scoaterea din priză a sculei electrice. Țineți cablul de alimentare departe de sursele de căldură, petrol, vârfuri ascuțite sau de piese în mișcare.** Cablurile de alimentare deteriorate sau încălcite duc la creșterea riscului de electrocutare.
- e) **Atunci când folosiți o sculă electrică în exterior, utilizați un prelungitor corespunzător lucrului în exterior.** Utilizarea unui prelungitor corespunzător lucrului în exterior reduce riscul de electrocutare.
- f) **În cazul în care operarea unei unelte electrice într-un spațiu cu umiditate nu poate fi evitată, utilizați o alimentare cu dispozitiv de protecție la curent rezidual (RCD).** Utilizarea unui dispozitiv RCD reduce riscul electrocutării.

3) Securitatea personală

- a) **Atunci când folosiți o sculă electrică fiți concentrat, fiți atent la ceea ce faceți și acționați conform bunului simț. Nu folosiți o sculă electrică atunci când sunteți sub influența drogurilor, alcoolului sau a medicamentelor.** Un moment de neatenție în timpul utilizării sculelor electrice poate duce la vătămări personale grave.
- b) **Utilizați echipamentul de protecție corporală. Folosiți întotdeauna ochelari de protecție.** Folosirea echipamentelor de protecție conform condițiilor de lucru, ca de exemplu măști de praf, încălțăminte de protecție anti-alunecare, căști de protecție sau antifoane va reduce vătămările personale.
- c) **Evitați pornirea accidentală. Înainte de a introduce scula electrică în priza de alimentare, asigurați-vă că aveți comutatorul de acționare în poziția oPRiT (off).** Transportarea uneltelor electrice ținând degetul pe întrerupător sau alimentarea cu tensiune a uneltelor electrice ce au întrerupătorul în poziția pornit înlesnesc producerea.
- d) **Înainte de a pune în funcțiune scula electrică, îndepărtați toate penele sau cheile de reglare.** O cheie sau o pană care au fost lăsate atașate de o parte rotativă a sculei electrice poate duce la vătămări personale.
- e) **Nu vă întindeți pentru a ajunge la punctul de lucru.** Mențineți permanent un contact ferm al piciorului și un echilibru stabil. În acest fel puteți controla mai bine scula electrică în situații neprevăzute.
- f) **Îmbrăcați-vă în mod adecvat. Nu purtați haine largi sau bijuterii. Părul, hainele și mânușile trebuie menținute departe de părțile în mișcare.** Hainele largi, părul și bijuteriile pot fi agățate și prinse de părțile în mișcare.
- g) **Dacă dispozitivele sunt construite pentru a fi conectate la echipamente de extragere și colectare a prafului, asigurați-vă că aceste echipamente sunt conectate și funcționează corect.** Folosirea unor astfel de echipamente poate reduce pericolele legate de praf.
- h) **Nu lăsați ca obișnuința obținută prin utilizarea frecventă a uneltelor să vă permită să deveniți impasibil și să ignorați principiile de siguranță în utilizarea uneltelor.** O acțiune neglijentă poate provoca accidente grave într-o fracțiune de secundă.

- 4) Utilizarea și întreținerea sculei electrice**
- a) **Nu forțați scula electrică. Folosiți scula electrică adecvată operațiunii care trebuie efectuată.** O sculă electrică adecvată își va efectua mai bine și mai în siguranță sarcina deoarece este folosită la parametrii pentru care a fost proiectată.
- b) **Nu folosiți scula electrică în cazul în care comutatorul de acționare nu realizează pornirea și oprirea acesteia.** Orice sculă electrică ce nu poate fi comandată cu ajutorul comutatorului de acționare este periculoasă și trebuie reparată.
- c) **Înainte de a efectua orice fel de reglaje, schimbări ale accesoriilor sau pe perioada depozitării sculelor electrice deconectați ștecherul de la sursa de energie electrică.** Astfel de măsuri preventive reduc riscul de pornire accidentală a sculei electrice.
- d) **Nu depozitați sculele electrice neutilizate la îndemâna copiilor și nu permiteți persoanelor care nu sunt familiare cu sculele electrice sau cu prezentele instrucțiuni să le utilizeze.** Sculele electrice sunt periculoase atunci când sunt utilizate de către persoane neinstruite.
- e) **Întrețineți sculele electrice. Verificați alinierea sau prinderea părților în mișcare, verificați componentele sculei pentru a vă asigura că nu sunt sparte și, de asemenea, verificați orice alte situații care ar putea afecta funcționarea sculei electrice. Dacă scula electrică se defectează, reparați-o înainte de a o refolosi.** Sculele electrice întreținute necorespunzător duc la producerea multor accidente.
- f) **Mențineți sculele așchietoare ascuțite și curate.** Sculele așchietoare întreținute corespunzător, având muchiile tăietoare ascuțite, se înțepenesc mai greu și sunt mai ușor de controlat.
- g) **Utilizați sculele electrice, accesoriile și burghiile etc., în conformitate cu prezentele instrucțiuni și în mod corespunzător tipului de sculă electrică utilizat, ținând seama de condițiile de lucru și de sarcina care trebuie efectuată.** Utilizarea unor scule electrice pentru operații diferite de cele pentru care acestea au fost proiectate poate duce la situații periculoase.
- h) **Țineți mânerul și suprafețele de prindere uscate, curate și lipsite de ulei și unsoare.** Mânere și suprafețele de prindere alunecoase nu permit manipularea și controlul uneltei în de siguranță în situații neașteptate.

5) Service

- a) **Prevedeți repararea uneltei de lucru de către o persoană calificată, folosind exclusiv piese de schimb identice.** Astfel, vă asigurați că este păstrată siguranța uneltei electrice.

INSTRUCȚIUNI SUPLIMENTARE DE SIGURANȚĂ

- Nu utilizați hârtii abrazive supradimensionate pentru șlefuit, ci urmați specificațiile producătorului pentru dimensiunea hârtiilor abrazive. Hârtiile abrazive pentru șlefuit care depășesc talpa de șlefuit pot provoca răniri, se pot bloca și rupe sau pot provoca loviri.
- Nu se recomandă șlefuirea vopselei cu plumb. Vopseaua cu plumb trebuie îndepărtată numai de un specialist.
- Nu lucrați pe materiale care eliberează substanțe periculoase (de exemplu azbest). Luați măsuri de precauție dacă este posibil să apară praf periculos, combustibil sau exploziv. Purtați o mască anti-praf. Utilizați un sistem de aspirare a prafului.
- Dacă placa de ipsos sau tencuiala este șlefuită, acest lucru poate duce la acumularea de electricitate statică pe instrument. Pentru a vă asigura siguranța, șlefuitorul de perete este împământat. Îndepărtați praful numai cu un aspirator cu împământare.
- Nu prelucrați materiale care conțin azbest. Azbestul este considerat o substanță cancerigenă.
- Nu utilizați mașina pentru șlefuirea pieselor de prelucrat din magnezium.
- Purtați ochelari de protecție. Purtați protecții antifonice. Dacă este necesar, utilizați alte mijloace de protecție, cum ar fi mănuși de protecție, încălțăminte de protecție etc.
- Țineți mașina de suprafețele de prindere izolate acolo unde accesoriul poate atinge cablaje ascunse sau cablul de alimentare. Dacă accesoriul atinge un cablu ‚sub tensiune‘, și părțile metalice expuse ale mașinii se vor afla ‚sub tensiune‘. Pericol de electrocutare.
- Fiți atenți atunci când șlefuiți suprafețele vopsite.
- Înainte de utilizare, îndepărtați toate cuiile și alte obiecte din metal din piesa de prelucrat.
- Asigurați-vă că piesa de prelucrat este corect montată sau fixată.
- Utilizați numai hârtie abrazivă adecvată utilizării cu acest tip de mașină.
- Utilizați numai hârtie abrazivă cu dimensiuni corecte. Asigurați-vă că hârtia abrazivă este montată corect.

- Inspectați hârtia abrazivă înainte de fiecare utilizare. Nu utilizați hârtie abrazivă uzată în urma utilizării prelungite.
- Nu așezați niciodată mașina pe o masă sau pe un banc de lucru înainte de a opri alimentarea electrică.

Siguranța electrică



Verificați întotdeauna că tensiunea rețelei electrice de alimentare corespunde tensiunii de pe plăcuța indicatoare a caracteristicilor tehnice.

- Nu utilizați mașina în cazul în care cablul de alimentare și/sau fișa acestuia sunt deteriorate.
- Utilizați numai cabluri prelungitoare corespunzătoare puterii nominale a mașinii și cu o grosime minimă de 1,5 mm². Dacă utilizați un cablu prelungitor înfășurat pe un tambur, desfășurați complet cablul.

2. INFORMAȚII CU PRIVIRE LA MAȘINĂ

Domeniul de utilizare

Mașina este proiectată pentru șlefuirea pereților și a tavanelor, pentru șlefuirea pereților uscați netezi, pentru îndepărtarea vopselei, tapetului și resturilor de adeziv. Nu este permisă utilizarea discurilor de tăiere, a discurilor de degroșare, a discurilor abrazive lamelare sau a perilor de sârmă. Mașina nu este potrivită pentru prelucrarea obiectelor care conțin azbest. Utilizarea necorespunzătoare poate deteriora instrumentul.

SPECIFICAȚII TEHNICE

Nr. model	DS502AC
Voltaj	220-240V ~
Frecvență	50/60 Hz
Putere de alimentare	1050W
Viteză la funcționare în gol	600-2600/min
Diametrul discului	Ø 215 mm
Greutate	5,04 kg
Nivel presiune sonoră L _{PA}	93+3 dB(A)
Nivel putere acustică L _{WA}	104+3 dB(A)
Vibrație	4,16+1,5 m/s ²



Purtați protecții antifonice.

Nivelul vibrațiilor

Nivelul emisiilor de vibrații menționat pe spatele acestui manual de instrucțiuni a fost măsurat în conformitate cu un test standardizat precizat în EN 60745; poate fi folosit pentru a compara o sculă cu alta și ca evaluare preliminară a expunerii la vibrații atunci când folosiți scula pentru aplicațiile menționate:

- utilizarea sculei pentru aplicații diferite sau cu accesorii diferite și prost întreținute poate crește semnificativ nivelul de expunere;
- momentele în care scula este oprită sau când funcționează dar nu execută nicio lucrare, pot reduce semnificativ nivelul de expunere.

Protejați-vă împotriva efectelor vibrațiilor prin întreținerea sculei și a accesoriilor sale, păstrând mâinile calde și organizând procesele de lucru.

DESCRIERE

Numerele din text se referă la diagramele de la paginile 2-4.

Fig. A

1. Comutator pornire/oprire
2. Rotiță de reglare a vitezei
3. Balama
4. Mâner superior
5. Mâner central
6. Mâner inferior
7. Conector furtun pentru praf
8. Furtun pentru praf
9. Sac pentru praf
10. Clemă
11. Curea
12. Capac pentru talpa de șlefuit
13. Blocare balama
14. Extensie telescopică
15. Conector extensie telescopică
16. Talpa de șlefuit
17. Hârtie abrazivă pentru șlefuit
18. Suport cheie hexagonală

3. ASAMBLAREA



Înainte de asamblare, opriți alimentarea electrică a mașinii și deconectați fișa cablului de alimentare de la priza de rețea.

Asamblarea tubului pliabil (Fig. B)

1. Desfaceți complet tubul telescopic al mașinii de șlefuit, așa cum se arată în figura B1.

2. Fixați cu încuietoarea balamalei (13) așa cum se arată în figura B2. Asigurați-vă că blocarea balamalei (13) este cuplată corect. Pentru a dezasambla tubul pliabil, pur și simplu desfăceți blocarea balamalei (13). Acum, tubul telescopic poate fi pliat.

Asamblarea tubului telescopic (Fig. C)

1. Introduceți extensia telescopică (14) în deschiderea mânerului central (5), așa cum se arată în figura C1. Asigurați-vă că partea plană a tubului se aliniaza cu partea plană a deschiderii.
2. Strângeți conectorul extensiei telescopice (15) rotindu-l în sens orar, așa cum se arată în figura C2.

Notă: mașina poate fi utilizată și fără extensia telescopică (14). Pentru a face acest lucru, săriți peste acest pas și asamblați sistemul de aspirare a prafului direct la mânerul central (5), în locul mânerului inferior (6).

Asamblarea sistemului de aspirare a prafului (Fig. D)

Este recomandat să folosiți mașina împreună cu furtunul și sacul pentru praf, asigurând o extracție optimă a prafului.

1. Introduceți furtunul pentru praf (8) și conectorul (7) în deschiderea mânerului inferior (6), așa cum se arată în figura D1. Asigurați-vă că partea plană a tubului se aliniaza cu partea plană a deschiderii.
2. Strângeți furtunul pentru praf (7) rotindu-l în sens orar, așa cum se arată în figura D2.

Notă: Sacul pentru praf trebuie golit atunci când sacul este pe jumătate plin pentru a menține o extracție optimă de praf.

Montarea și îndepărtarea hârtiei abrazive pentru șlefuit (Fig. F)

- Țineți mașina pe lateral sau cu partea de sus în jos, așa cum se arată în Fig. F.
- Montați hârtia abrazivă pentru șlefuit (17) cu granulația necesară pe talpa de șlefuit (16). Asigurați-vă că perforația de pe hârtia abrazivă pentru șlefuit (17) corespunde cu perforația de pe talpa de șlefuit (16).
- Pentru a îndepărta hârtia abrazivă pentru șlefuit (17), pur și simplu trageți-o de pe talpa de șlefuit (16).

Notă: Folosiți hârtie abrazivă pentru șlefuit grosieră pentru șlefuirea suprafețelor aspre și inegale. Folosiți hârtie abrazivă pentru șlefuit medie pentru a îndepărta zgârieturile rămase de la hârtia abrazivă pentru șlefuit grosieră. Folosiți hârtie abrazivă pentru șlefuit fină pentru finisarea suprafețelor.

Înlocuirea tălpii de șlefuit (Fig. F)



Instalați pe mașină numai talpa de șlefuit specificat de producător.

Demontarea tălpii de șlefuit:

1. Scoateți hârtia abrazivă pentru șlefuit (17) de pe talpa de șlefuit (16).
2. Introduceți cheia hexagonală furnizată în șurubul de pe talpa de șlefuit (16).
3. Ținând ferm talpa de șlefuit (16), rotiți cheia în sens antiorar pentru a slăbi șurubul hexagonal.
4. Talpa de șlefuit (16) poate fi acum îndepărtată.

Montarea tălpii de șlefuit:

1. Montați talpa de șlefuit (16) pe mașină.
2. Introduceți șurubul în talpa de șlefuit (16) și introduceți cheia hexagonală în șurub.
3. Ținând ferm talpa de șlefuit (16), rotiți cheia în sens orar pentru a strânge șurubul hexagonal.

4. OPERAREA

Pornirea și oprirea (Fig. A)

- Pentru a porni mașina, mutați comutatorul de pornire/oprire (1) în sus.
- Pentru a opri mașina, mutați comutatorul de pornire/oprire (1) în jos.

Notă: Se recomandă păstrarea motorului în funcțiune pentru o perioadă scurtă de timp după șlefuire, astfel încât praful rezidual să poată fi colectat în sac.

Reglarea vitezei (Fig. A)

Viteza necesară poate fi reglată folosind roțița de reglare a vitezei (2). De asemenea, în timpul funcționării, viteza de rotație poate fi reglată.

- Pentru a crește viteza, rotiți butonul de reglare a vitezei (2) în sens orar.
- Pentru a scădea viteza, rotiți butonul de reglare a vitezei (2) în sens antiorar.

Viteza necesară depinde de material și poate fi determinată prin teste practice.

Reglarea lungimii tubului telescopic (Fig. C2)

1. Desfaceți conectorul (15) rotindu-l în sens antiorar.
2. Extindeți sau micșorați tubul telescopic la lungimea dorită. Rețineți semnul de avertizare de pe tubul telescopic, indicând lungimea maximă pentru a asigura stabilitatea.
3. Strângeți conectorul (15) rotindu-l în sens orar.

Blocarea capului de șlefuit (Fig. E)

Mișcarea capului de șlefuit poate fi blocată în poziție ridicată. În acest fel, confortul de lucru în timpul șlefuirii tavanelor este îmbunătățit.

1. Mutați talpa de șlefuit (16) în poziție ridicată, așa cum se arată în figura E1.
2. În timp ce țineți talpa de șlefuit (16), glisați cureaua (11) peste clemă (10) așa cum se arată în figura E2.

Pentru a debloca mișcarea capului de șlefuit, pur și simplu scoateți cureaua (11) din clemă (10) glisând-o. Capul de șlefuit se poate mișca acum liber.

Sfaturi pentru utilizarea optimă

- Țineți ferm mașina de mâner.
- Porniți mașina.
- Așezați talpa de șlefuire cu hârtia abrazivă pe piesa de prelucrat.
- Deplasați încet mașina peste piesa de prelucrat, apăsând ferm talpa de șlefuire pe piesa de prelucrat.
- Nu aplicați o presiune excesivă asupra mașinii. Lăsați mașina să execute operația.
- Opriti mașina și așteptați oprirea completă a mașinii înainte de a așeza mașina.

5. ÎNTREȚINERE

Înainte de curățare și întreținere, opriți alimentarea electrică a mașinii și deconectați fișa cablului de alimentare de la priza de rețea.

Curățați regulat carcasa cu o cârpă moale, de preferat după fiecare utilizare. Curățați fantele de aerisire de praf și murdărie. Îndepărtați murdăria persistentă cu o cârpă moale înmuiată în clăbuci de săpun. Nu folosiți solvenți precum benzină, alcool, amoniac, etc. Astfel de substanțe chimice vor deteriora componentele sintetice.

MEDIU

Aparatele electrice sau electronice deteriorate și/sau defecte trebuie colectate în locurile de reciclare corespunzătoare.

Numai pentru țările din CE

Nu aruncați echipamentele acționate electric împreună cu gunoiul menajer. Conform Indicației europene 2012/19/EU pentru echipamente electrice și electronice uzate și a implementării sale la nivel național, echipamentele acționate electric scoase din uz trebuie colectate separat și evacuate într-o manieră ecologică.

GARANȚIE

Produsele VONROC sunt realizate la cele mai înalte standarde de calitate și sunt garantate în privința materialelor și a manoperei pentru întreaga perioadă de utilizare în garanție, începând cu data achiziției. În cazul în care produsul se defectează în timpul perioadei de utilizare, contactați direct VONROC.

Următoarele circumstanțe sunt excluse de la această garanție:

- Reparațiile sau modificările care realizate sau care s-au încercat a fi efectuate de centre de service neautorizate.
- Uzura în condiții normale.
- Unealta care a fost abuzată, utilizată într-un mod neglijent sau întreținută în mod inadecvat.
- Folosirea unor piese de schimb neoriginale.

Aceasta acoperă garanția companiei, explicită sau implicită. Nu există alte garanții explicite sau implicite care să se extindă dincolo de cele indicate aici, incluzând garanțiile, vandabilitatea sau adecvarea pentru un anumit scop. În nicio situație, VONROC nu este responsabil pentru daunele incidentale sau consecvențiale. Reparațiile efectuate de reprezentant trebuie să fie limitate la reparațiile sau la înlocuirea unităților sau a pieselor neconforme.

Produsul și manualul de utilizare pot suferi modificări. Specificațiile se pot modifica fără notificare prealabilă.



DECLARATION OF CONFORMITY DS502AC - TELESCOPIC DRYWALL SANDER

- (EN) We declare under our sole responsibility that this product is in conformity with directive 2011/65/EU of the European parliament and of the council of 8 June on the restriction of the use of certain hazardous substances in electrical and electronic equipment is in conformity and accordance with the following standards and regulations:
- (DE) Der Hersteller erklärt eigenverantwortlich, dass dieses Produkt der Direktive 2011/65/EU des Europäischen Parlaments und des Rats vom 8. Juni 2011 über die Einschränkung der Anwendung von bestimmten gefährlichen Stoffen in elektrischen und elektronischen Geräten entspricht. den folgenden Standards und Vorschriften entspricht:
- (NL) Wij verklaren onder onze volledige verantwoordelijkheid dat dit product voldoet aan de conform Richtlijn 2011/65/EU van het Europees Parlement en de Raad van 8 juni 2011 betreffende beperking van het gebruik van bepaalde gevaarlijke stoffen in elektrische en elektronische apparatuur en in overeenstemming is met de volgende standaarden en reguleringen:
- (FR) Nous déclarons sous notre seule responsabilité que ce produit est conforme aux standards et directives suivants: est conforme à la Directive 2011/65/EU du Parlement Européen et du Conseil du 8 juin 2011 concernant la limitation d'usage de certaines substances dangereuses dans l'équipement électrique et électronique.
- (ES) Declaramos bajo nuestra exclusiva responsabilidad que este producto cumple con las siguientes normas y estándares de funcionamiento: se encuentra conforme con la Directiva 2011/65/UE del Parlamento Europeo y del Consejo de 8 de junio de 2011 sobre la restricción del uso de determinadas sustancias peligrosas en los equipos eléctricos y electrónicos.
- (IT) Dichiariamo, sotto la nostra responsabilità, che questo prodotto è conforme alle normative e ai regolamenti seguenti: è conforme alla Direttiva 2011/65/UE del Parlamento Europeo e del Consiglio dell'8 giugno 2011 sulla limitazione dell'uso di determinate sostanze pericolose nelle apparecchiature elettriche ed elettroniche.
- (SV) Vi garanterar på eget ansvar att denna produkt uppfyller och följer följande standarder och bestämmelser: uppfyller direktiv 2011/65/EU från Europeiska parlamentet och EG-rådet från den 8 juni 2011 om begränsningen av användning av farliga substanser i elektrisk och elektronisk utrustning.
- (DA) Vi erklærer under eget ansvar, at dette produkt er i overensstemmelse med følgende standarder og bestemmelser: er i overensstemmelse med direktiv 2011/65/EU fra Europa-Parlamentet og Rådet af 8. juni 2011 om begrænsning af anvendelsen af visse farlige stoffer i elektrisk og elektronisk udstyr.
- (PL) Deklarujemy na własną odpowiedzialność, że ten produkt spełnia wymogi zawarte w następujących normach i przepisach: jest zgodny z Dyrektywą 2011/65/UE Parlamentu Europejskiego i Rady z dnia 8 czerwca 2011 r. w sprawie ograniczenia stosowania niektórych niebezpiecznych substancji w sprzęcie elektrycznym i elektronicznym.
- (RO) Declaram prin aceasta cu răspunderea deplină că produsul acesta este în conformitate cu următoarele standarde sau directive: este în conformitate cu Directiva 2011/65/UE a Parlamentului European și a Consiliului din 8 iunie 2011 cu privire la interzicerea utilizării anumitor substanțe periculoase la echipamentele electrice și electronice.

EN 60745-1, EN 60745-2-3, EK9-BE-88, EN 55014-1, EN 55014-2, EN ISO 12100, EN 61000-3-2, EN 61000-3-3, 2006/42/EC, 2014/30/EU, 2012/19/EU, 2011/65/EU

Zwolle, 01-01-2021

H.G.F Rosberg
CEO

VONROC • Lingenstraat 6 • 8028 PM Zwolle • The Netherlands



VONROC®
BUILD YOUR FUTURE

©2021 VONROC
WWW.VONROC.COM

2101-25