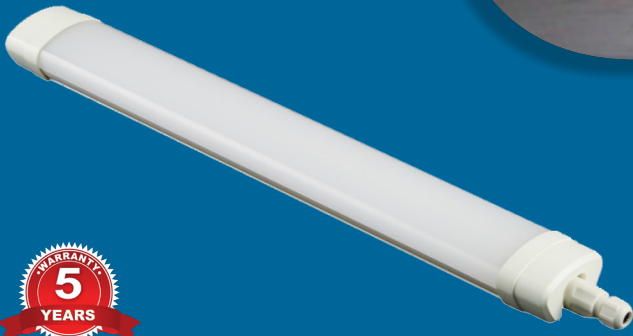
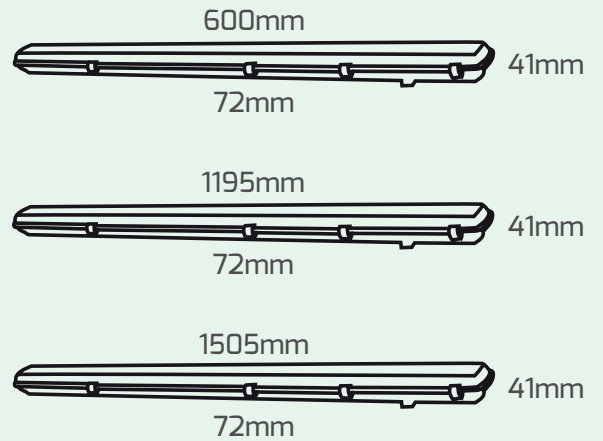




# TRI-PROOF LED NON CORROSIVE BATTEN IP65



SKU Code: T192/T193/T194/T195/T196/T197



- Voltage: AC220~265V & AC175~265V or AC85~165V
- CCT: 6400K / 4100K / 3000K
- Material: Frosted PC + Alu. Frosted PC Cover



## Product Features

Model Number	Voltage	Power (W)	Lumen (lm)	Product Size (mm)	CRI (Ra)	PF	LED Chip	Beam Angle
KIT-IP65-6018	AC220-265V & AC175-265V & AC-165V	18W	1600lm	600*72*41mm	RA>80	PF<0.9	2835 SMD	160°
KIT-IP65-1236		36W	3300lm	1195*72*41mm				
KIT-IP65-1545		45W	4000lm	1505*72*41mm				

## Product Specifications

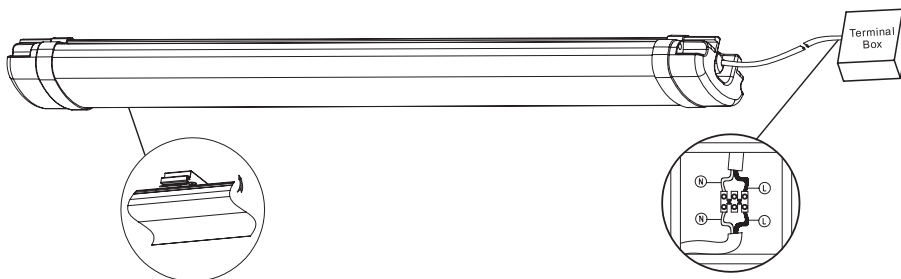
Model Name	Specification	Length(mm)	Width(mm)	Height(mm)
Triproof Tube T192/T193	AC200-265V, 50-60Hz, 18W	60	72	41
Triproof Tube T194/T195	AC200-265V, 50-60Hz, 36W	1195	72	41
Triproof Tube T196/T197	AC200-265V, 50-60Hz, 45W	1505	72	41

## IP65 Tri-proof Fixture

1. Prepare the 2 pcs hooks, use the 2 screws to fix the hooks to the wall or ceiling.

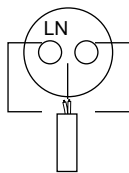


2. Connect the waterproof terminal box with L (Brown wire) & N (Blue wire).  
Make Sure L & N matching.



3. Insert the fitting into the hooks.

4. Waterproof terminal box.



5. Wiring



6. Connection

1. Disconnect the power supply before installation or any maintenance work.
2. Installation and maintenance must be carried by qualified personnel and according to the current Directives on electrical systems.
3. The light source of this luminaire is not replaceable; when the right source reaches its end of life the whole luminaire shall be replaced.

## Application



Packing Room



Laboratory



Perfusion Workshop



Dust-free Workshop



Poultry Farm



Ranch