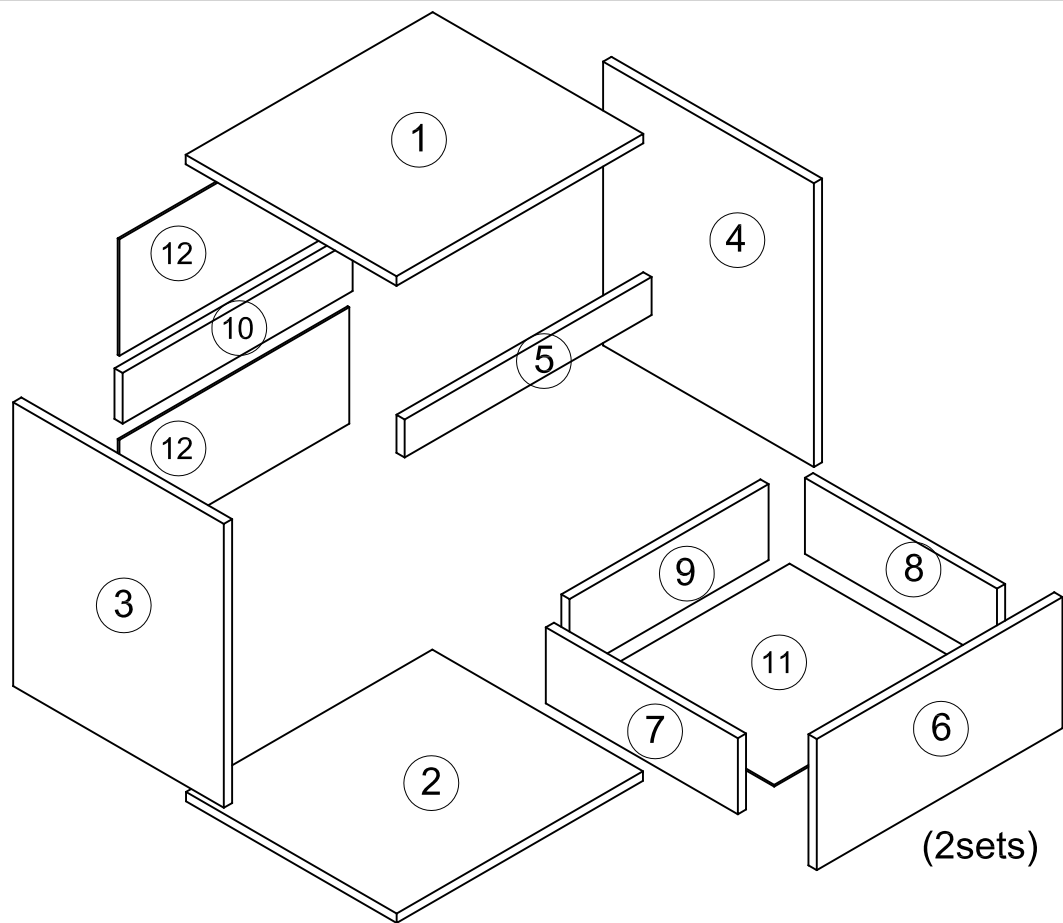
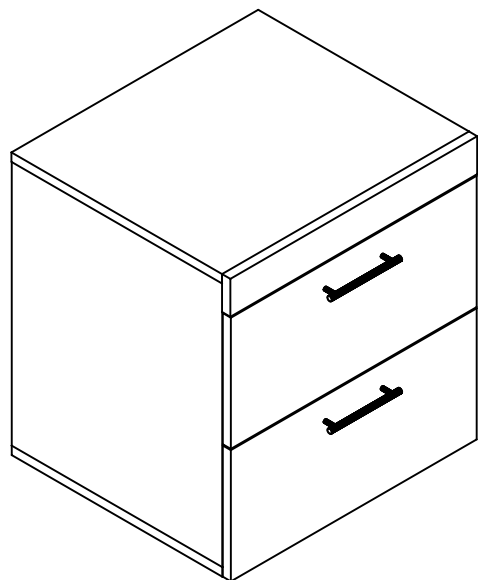


Ciro



A

22sets

B

9PCS

C

C1x4

C2x4

2sets

D

3.5*14

16PCS

E

3.5*25

8PCS

F

3.5*35

8PCS

G

2PCS

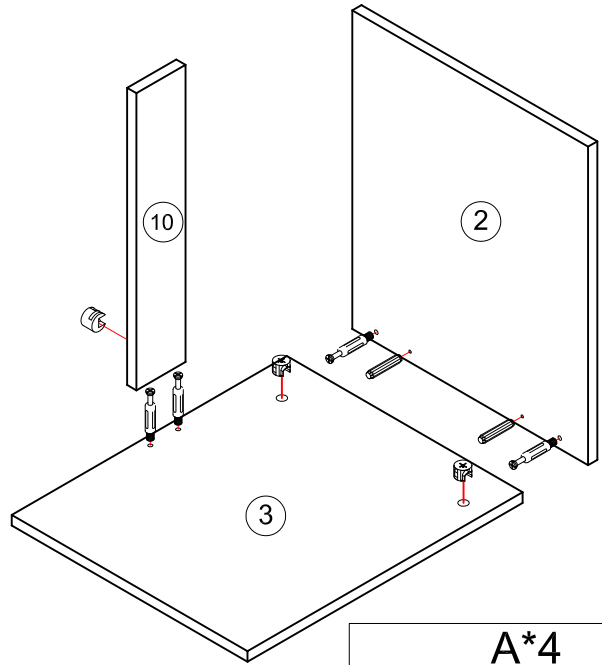
H

4PCS

I

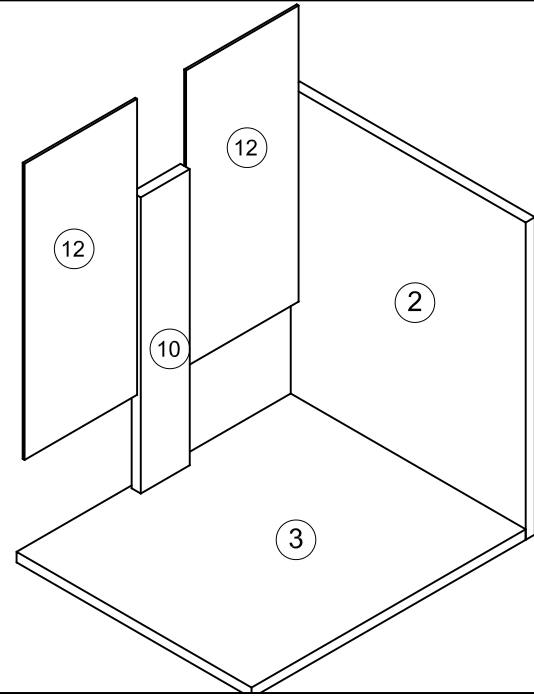
4PCS

1

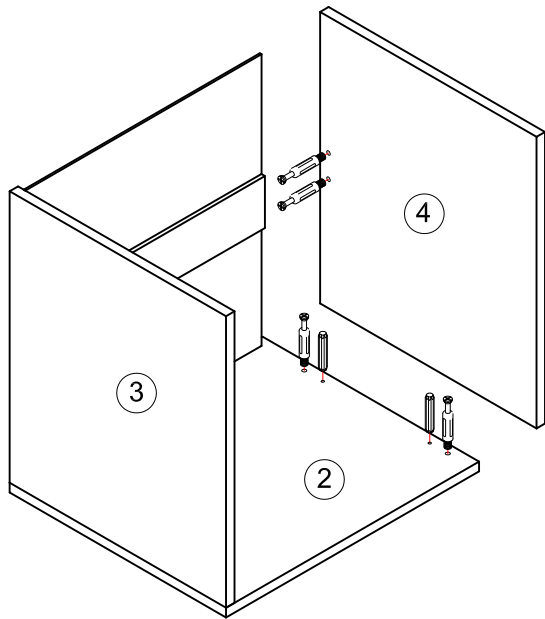


A*4 B*2

2

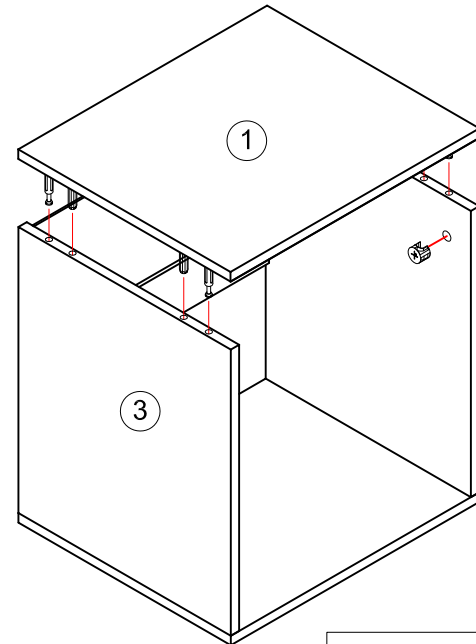


3



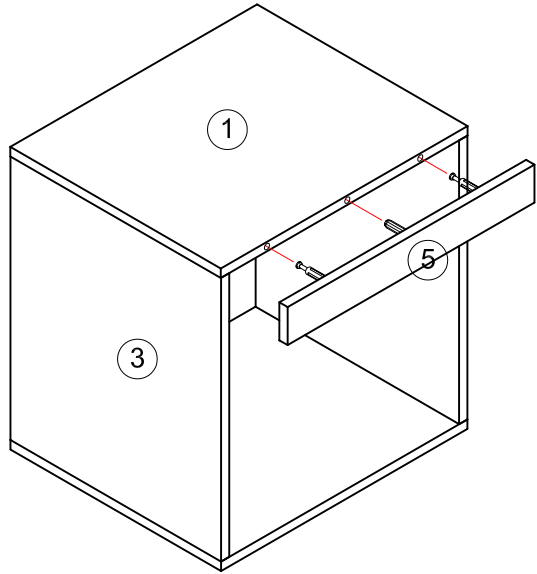
A*4 B*2

4



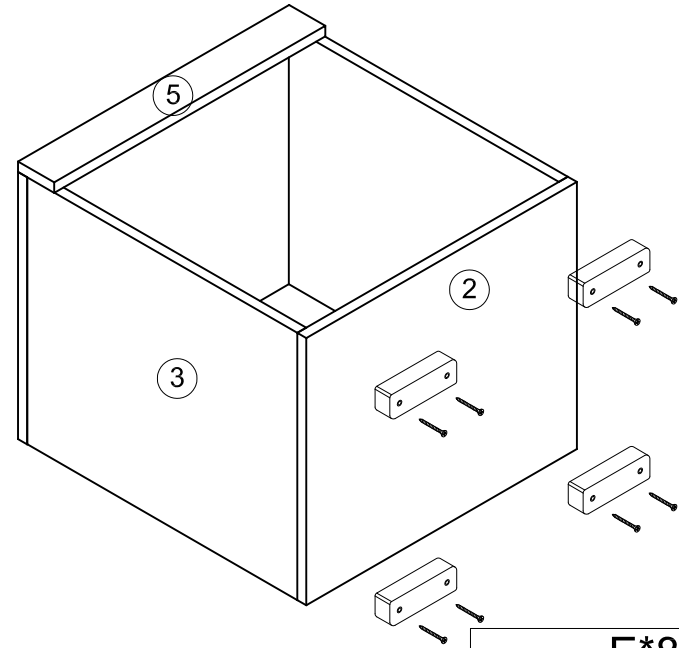
A*4 B*4

5



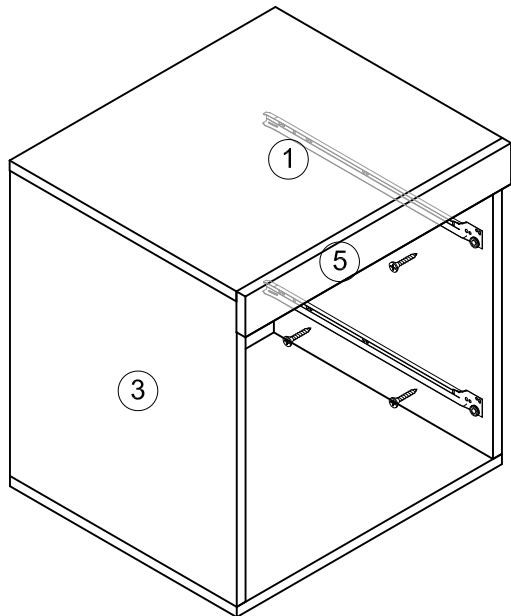
A*2 B*1

6



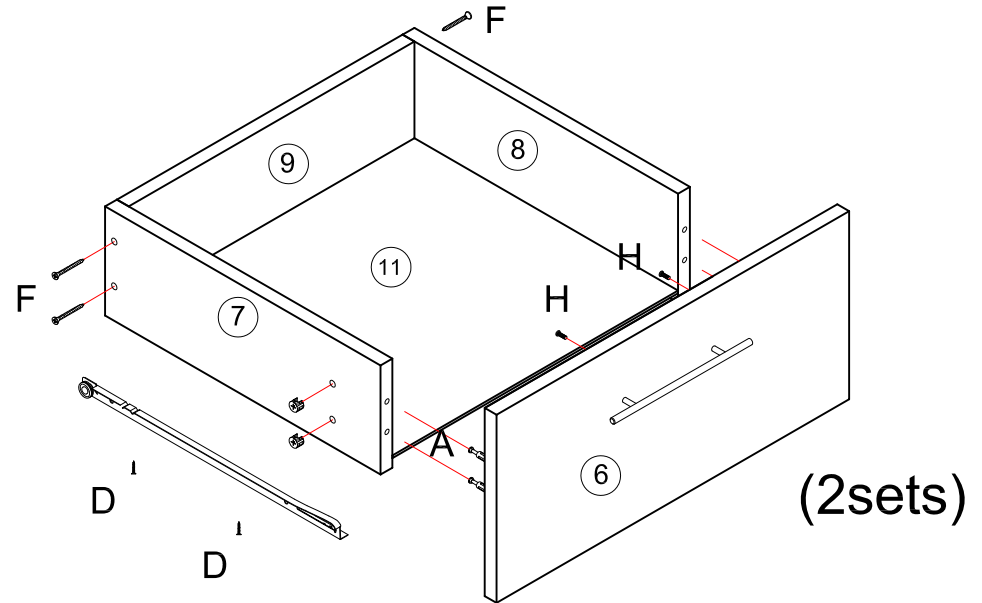
E*8 I*6

7



C2*4 D*8

8



A*4 C2*2 D*4 F*4 G*1 H*2

(2sets)

9

