

www.blackanddecker.eu

KS501
KS701E
KS701PE

EN

DE

FR

IT

NL

ES

PT

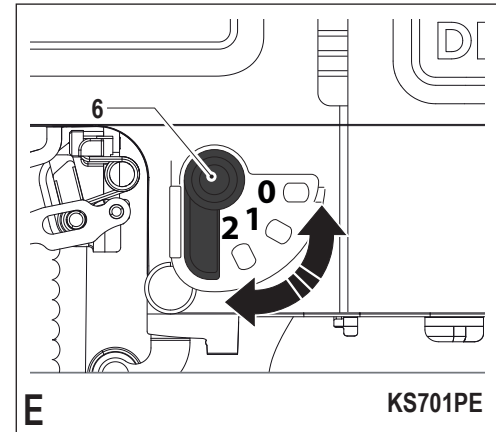
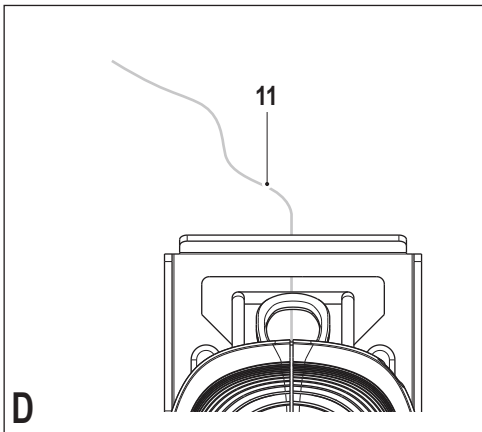
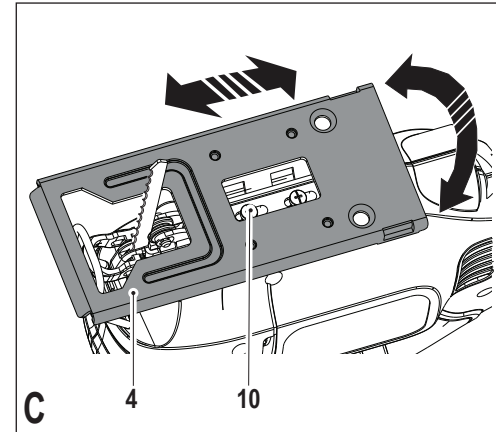
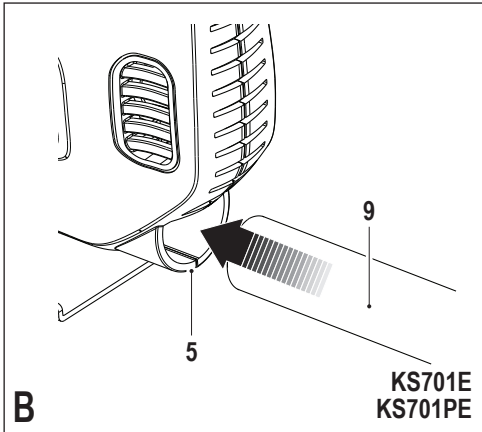
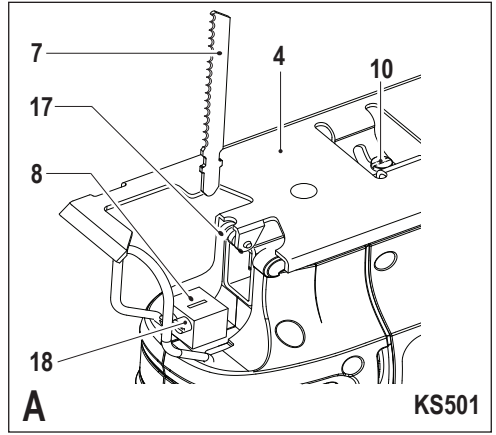
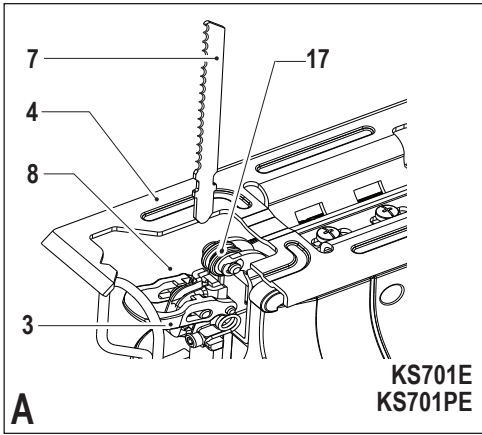
SV

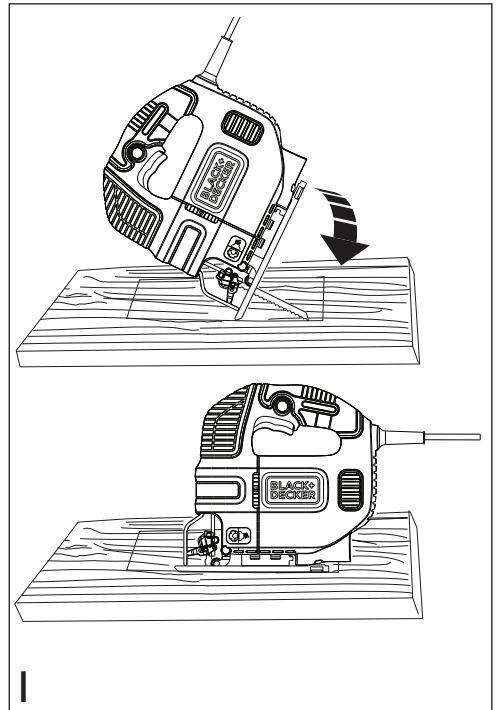
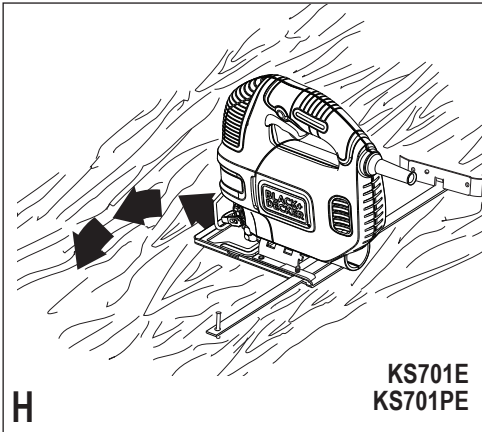
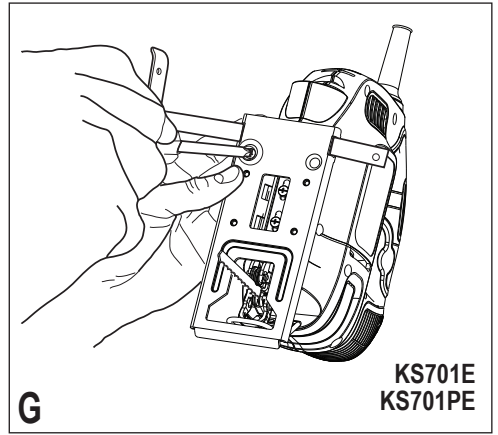
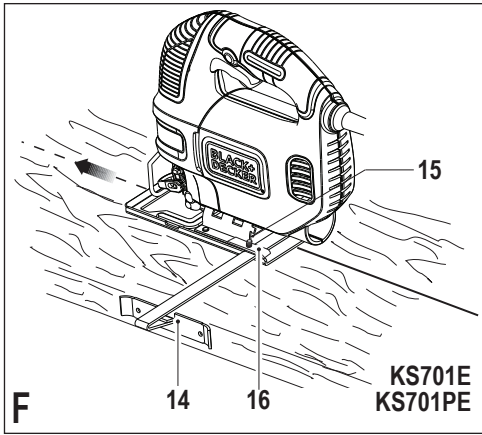
NO

DK

FI

EL





Intended use

Your BLACK+DECKER jig saw has been designed for sawing wood, plastics and metal. This tool is intended for consumer use only.

Safety instructions

General power tool safety warnings



Warning! Read all safety warnings and all instructions. Failure to follow the warnings and instructions listed below may result in electric shock, fire and/or serious injury.

Save all warnings and instructions for future reference.

The term "power tool" in all of the warnings listed below refers to your mains operated (corded) power tool or battery operated (cordless) power tool.

1. **Work area safety**
 - a. **Keep work area clean and well lit.** Cluttered or dark areas invite accidents.
 - b. **Do not operate power tools in explosive atmospheres, such as in the presence of flammable liquids, gases or dust.** Power tools create sparks which may ignite the dust or fumes.
 - c. **Keep children and bystanders away while operating a power tool.** Distractions can cause you to lose control.
2. **Electrical safety**
 - a. **Power tool plugs must match the outlet. Never modify the plug in any way. Do not use any adapter plugs with earthed (grounded) power tools.** Unmodified plugs and matching outlets will reduce risk of electric shock.
 - b. **Avoid body contact with earthed or grounded surfaces such as pipes, radiators, ranges and refrigerators.** There is an increased risk of electric shock if your body is earthed or grounded.
 - c. **Do not expose power tools to rain or wet conditions.** Water entering a power tool will increase the risk of electric shock.
 - d. **Do not abuse the cord. Never use the cord for carrying, pulling or unplugging the power tool. Keep cord away from heat, oil, sharp edges or moving parts.** Damaged or entangled cords increase the risk of electric shock.
 - e. **When operating a power tool outdoors, use an extension cord suitable for outdoor use.** Use of a cord suitable for outdoor use reduces the risk of electric shock.
 - f. **If operating a power tool in a damp location is unavoidable, use a residual current device (RCD) protected supply.** Use of an RCD reduces the risk of electric shock.
3. **Personal safety**
 - a. **Stay alert, watch what you are doing and use common sense when operating a power tool. Do not use a power tool while you are tired or under the influence of drugs, alcohol or medication.** A moment of inattention while operating power tools may result in serious personal injury.
 - b. **Use personal protective equipment. Always wear eye protection.** Protective equipment such as dust mask, non-skid safety shoes, hard hat, or hearing protection used for appropriate conditions will reduce personal injuries.
 - c. **Prevent unintentional starting. Ensure the switch is in the off-position before connecting to power source and/or battery pack, picking up or carrying the tool.** Carrying power tools with your finger on the switch or energising power tools that have the switch on invites accidents.
 - d. **Remove any adjusting key or wrench before turning the power tool on.** A wrench or a key left attached to a rotating part of the power tool may result in personal injury.
 - e. **Do not overreach. Keep proper footing and balance at all times.** This enables better control of the power tool in unexpected situations.
 - f. **Dress properly. Do not wear loose clothing or jewellery. Keep your hair, clothing and gloves away from moving parts.** Loose clothes, jewellery or long hair can be caught in moving parts.
 - g. **If devices are provided for the connection of dust extraction and collection facilities, ensure these are connected and properly used.** Use of dust collection can reduce dust-related hazards.
4. **Power tool use and care**
 - a. **Do not force the power tool. Use the correct power tool for your application.** The correct power tool will do the job better and safer at the rate for which it was designed.
 - b. **Do not use the power tool if the switch does not turn it on and off.** Any power tool that cannot be controlled with the switch is dangerous and must be repaired.
 - c. **Disconnect the plug from the power source and/or the battery pack from the power tool before making any adjustments, changing accessories, or storing power tools.** Such preventive safety measures reduce the risk of starting the power tool accidentally.
 - d. **Store idle power tools out of the reach of children and do not allow persons unfamiliar with the power tool or these instructions to operate the power tool.** Power tools are dangerous in the hands of untrained users.
 - e. **Maintain power tools. Check for misalignment or binding of moving parts, breakage of parts and any other condition that may affect the power tools**

operation. If damaged, have the power tool repaired before use. Many accidents are caused by poorly maintained power tools.

- f. **Keep cutting tools sharp and clean.** Properly maintained cutting tools with sharp cutting edges are less likely to bind and are easier to control.
 - g. **Use the power tool, accessories and tool bits etc. in accordance with these instructions, taking into account the working conditions and the work to be performed.** Use of the power tool for operations different from those intended could result in a hazardous situation.
5. **Service**
- a. **Have your power tool serviced by a qualified repair person using only identical replacement parts.** This will ensure that the safety of the power tool is maintained.

Additional power tool safety warnings



Warning! Safety instructions for all saws

- ◆ **Hold power tool by insulated gripping surfaces, when performing an operation where the cutting accessory may contact hidden wiring.** Cutting accessory contacting a "live" wire may make exposed metal parts of the power tool "live" and could give the operator an electric shock.
- ◆ **Use clamps or another practical way to secure and support the workpiece to a stable platform.** Holding the work by hand or against your body leaves it unstable and may lead to loss of control.
- ◆ **Keep hands away from cutting area.** Never reach underneath the work piece any reason. Do not insert fingers or thumb into the vicinity of the reciprocating blade and blade clamp. Do not stabilize the saw by gripping the shoe.
- ◆ **Keep blades sharp.** Dull or damaged blades may cause the saw to swerve or stall under pressure. Always use the appropriate type of saw blade for the workpiece material and type of cut.
- ◆ **When cutting pipe or conduit, make sure that they are free from water, electrical wiring, etc.**
- ◆ **Do not touch the workpiece or the blade immediately after operating the tool.** They can become very hot.
- ◆ **Be aware of hidden hazards, before cutting into walls, floors or ceilings, check for the location of wiring and pipes.**
- ◆ **The blade will continue to move after releasing the switch.** Always switch the tool off and wait for the saw blade to come to a complete standstill before putting the tool down.

Warning! Contact with, or inhalation of dusts arising from cutting applications may endanger the health of the operator and possible bystanders. Wear a dust mask specifically designed for protection against dust and fumes and ensure that persons within or entering the work area are also protected.

- ◆ The intended use is described in this instruction manual. The use of any accessory or attachment or performance of any operation with this tool other than those recommended in this instruction manual may present a risk of personal injury and/or damage to property.

Safety of others

- ◆ This tool is not intended for use by persons (including children) with reduced physical, sensory or mental capabilities, or lack of experience and knowledge, unless they have been given supervision or instruction concerning use of the appliance by a person responsible for their safety.
- ◆ Children should be supervised to ensure that they do not play with the appliance.

Vibration

The declared vibration emission values stated in the technical data and the declaration of conformity have been measured in accordance with a standard test method provided by EN 60745 and may be used for comparing one tool with another. The declared vibration emission value may also be used in a preliminary assessment of exposure.

Warning! The vibration emission value during actual use of the power tool can differ from the declared value depending on the ways in which the tool is used. The vibration level may increase above the level stated.

When assessing vibration exposure to determine safety measures required by 2002/44/EC to protect persons regularly using power tools in employment, an estimation of vibration exposure should consider, the actual conditions of use and the way the tool is used, including taking account of all parts of the operating cycle such as the times when the tool is switched off and when it is running idle in addition to the trigger time.

Labels on tool

The following symbols are shown on the tool:



Warning! To reduce the risk of injury, the user must read the instruction manual.

Electrical safety



This tool is double insulated; therefore no earth wire is required. Always check that the power supply voltage corresponds to the voltage on the rating plate.

- ◆ If the supply cord is damaged, it must be replaced by the manufacturer or an authorised BLACK+DECKER Service Centre in order to avoid a hazard.

Features

This tool includes some or all of the following features.

1. Variable speed switch (KS701E and KS701PE) or On/Off switch (KS501)
2. Lock-on button
3. Saw blade locking lever
4. Shoe plate
5. Dust extraction outlet (KS701E and KS701PE only)
6. Pendulum Stroke dial (KS701PE only)

Assembly

Warning! Before attempting any of the following operations, make sure that the tool is switched off and unplugged and that the saw blade has stopped. Used saw blades may be hot.

Fitting the saw blade (fig. A - KS701E and KS701PE)

- ◆ Hold the saw blade (7) as shown, with the teeth facing forward.
- ◆ Push the locking lever (3) away from the shoe plate (4).
- ◆ Insert the shank of the saw blade into the blade holder (8) as far as it will go.
- ◆ Adjust the saw blade support roller (17) as described above.
- ◆ Release the locking lever (3).

Fitting the saw blade (fig. A - KS501)

- ◆ Before fitting or removing the saw blade (7) the saw blade support roller (17) must be adjusted to the rear position so that it does not contact the blade.
- ◆ Loosen (do not remove) the two screws. (18).
- ◆ Hold the saw blade (7) with the teeth facing forward.
- ◆ Insert the shank of the saw blade (7) into the blade holder (8) as far as it will go.
- ◆ Slightly tighten the two screws (18) alternately to position the blade, then fully tighten the two screws (18).
- ◆ Adjust the saw blade support roller (17) as described above.
- ◆ To remove the saw blade (7), turn both screws (18) one turn counterclockwise.

Connecting a vacuum cleaner to the tool (fig. B - KS701E and KS701PE only)

- ◆ Slide the vacuum nozzle (9) into the dust extraction outlet (5).

Residual risks

Additional residual risks may arise when using the tool which may not be included in the enclosed safety warnings. These risks can arise from misuse, prolonged use etc.

Even with the application of the relevant safety regulations and the implementation of safety devices, certain residual risks can not be avoided. These include:

- ◆ Injuries caused by touching any rotating/moving parts.
- ◆ Injuries caused when changing any parts, blades or accessories.
- ◆ Injuries caused by prolonged use of a tool. When using any tool for prolonged periods ensure you take regular breaks.
- ◆ Impairment of hearing.
- ◆ Health hazards caused by breathing dust developed when using your tool (example:- working with wood, especially oak, beech and MDF.)

Use

Adjusting the shoe plate for bevel cuts (fig. C)

Warning! Never use the tool when the shoe plate is loose or removed.

The shoe plate (4) can be set to a left or right bevel angle of 45°.

- ◆ Loosen the screws. (10) Some models have one screw.
- ◆ Pull the shoe (4) forward, rotate the shoe to the left or right and push it back into the 45° location. (KS701E and KS701PE only).
- ◆ Push the shoe (4) back, rotate to the right and pull it back into the 45° location. (KS501 only).
- ◆ Tighten the screws.

To reset the shoe plate (4) for 90° cuts:

- ◆ Loosen the screws. (10).
- ◆ Pull the shoe (4) forward, rotate to the centre and push it back into the 0° location.
- ◆ Tighten the screws.

Variable speed control (KS701E and KS701PE only)

- ◆ Use a high speed for wood, medium speed for aluminium and PVC and low speed for metals other than aluminium.

Switching on and off

- ◆ To switch the tool on, press the variable speed switch (KS701E and KS701PE) or the On/Off switch (KS501) (1). On KS701E and KS107PE units the speed depends on how far you depress the switch.
- ◆ For continuous operation, press the lock-on button (2) and press the variable speed switch. This option is available only at full speed.
- ◆ To switch the tool off, release the variable speed switch. To switch the tool off, when in continuous operation,

press the variable speed or On/Off switch once more and release it.

How to Use the Sightline® Feature (fig. D)

- ◆ Use a pencil to mark the cutting line.
- ◆ Position the jig saw over the line (11).

Viewing from directly above the jig saw, the line of cut can be followed easily.

Cutting mode (KS701PE only)

Pendulum stroke or action provides a more aggressive blade motion and is designed for cutting soft materials such as wood or plastic. It provides a faster cut, but with a less smooth cut across the material. Your jig saw has a Pendulum Stroke dial. Use of this dial is explained in the next section.

Note: Never use pendulum action to cut metal.

Pendulum Stroke dial (fig. E - KS701PE only)

The KS701PE has these four cutting modes with increasing amounts of pendulum action:

- ◆ Position 0: metal and aluminium and sheet metal (no pendulum action).
- ◆ Position 1: for laminates, hard wood, work tops.
- ◆ Position 2: for plywood and PVC/Plastics.
- ◆ Position 3: for soft wood and fast cutting

To adjust the pendulum action:

- ◆ Rotate the Pendulum Stroke selector (6) to the required position.

Sawing

Hold the tool firmly with both hands while cutting.

The shoe plate (4) should be held firmly against the material being cut. This will help prevent the saw from jumping, reduce vibration and minimise blade breakage.

- ◆ Let the blade run freely for a few seconds before starting the cut.
- ◆ Apply only a gentle pressure to the tool while performing the cut.

Hints for optimum use

Sawing laminates

When cutting laminates, splintering may occur which can damage the presentation surface. The most common saw blades cut on the upward stroke, therefore if the shoe plate is sitting on the presentation surface either use a saw blade that cuts on the downward stroke or:

- ◆ Use a fine-tooth saw blade.
- ◆ Saw from the back surface of the workpiece.
- ◆ To minimise splintering, clamp a piece of scrap wood or hardboard to both sides of the workpiece and saw through this sandwich.

Sawing metal

Warning! Do not use a vacuum when cutting metal. Metal filings will be hot and may cause fire.

Be aware that sawing metal takes much more time than sawing wood.

- ◆ Use a saw blade suitable for sawing metal.
- ◆ When cutting thin sheet metal, clamp a piece of scrap wood to the back surface of the workpiece and cut through this sandwich.
- ◆ Spread a film of oil along the intended line of cut.

Rip Fence (KS701E and KS701PE only)

Ripping and circle cutting without a pencil line are easily done with a rip fence and circle guide (available as an optional extra - part number X43005-XJ).

Attaching Rip Fence (figs. F & G)

- ◆ Insert rip fence (14) into the shoe plate slots with the cross bar facing down as shown in figure F.
- ◆ Place screw (15) into hole in bottom of shoe plate.
- ◆ Align clamp bar (16) over screw with lipped edge facing down and pointing towards the rear of the saw.
- ◆ Using a phillips screwdriver, run the screw into the threaded hole in the bar clamp as shown in figure G.
- ◆ Adjust to width of cut and tighten screw.

Circle Cutting (fig. H - KS701E and KS701PE only)

- ◆ Insert rip fence into slot on the right side of shoe plate with cross bar facing up.
- ◆ Adjust rip fence so that distance from blade to hole in cross bar is the desired radius and tighten screw.
- ◆ Place saw so that centre of hole in cross bar is over centre of circle to be cut (make plunge cut, drill hole for blade or cut inward from edge of material to get blade into position).
- ◆ When saw is properly positioned, drive a small nail through hole in cross bar into exact centre of circle to be cut.
- ◆ Using rip fence as a pivot arm, begin cutting circle.

Plunge Cutting (fig. I)

A plunge cut is an easy method of making an inside cut. The saw can be inserted directly into a panel or board without first drilling a lead or pilot hole. In plunge cutting, measure the surface to be cut and mark clearly with a pencil. Next tip the saw forward until the front end of the shoe sits firmly on the work surface and the blade clears the work through its full stroke. Switch the tool on and allow it to attain maximum speed. Grip the saw firmly and lower the back edge of tool slowly until the blade reaches its complete depth. Hold the shoe flat against the wood and begin cutting. Do not remove blade from cut while it is still moving. Blade must come to a complete stop.

Maintenance

Your BLACK+DECKER tool has been designed to operate over a long period of time with a minimum of maintenance. Continuous satisfactory operation depends upon proper tool care and regular cleaning.

- ◆ Regularly clean the ventilation slots in your tool using a soft brush or dry cloth.
- ◆ Regularly clean the motor housing using a damp cloth. Do not use any abrasive or solvent-based cleaner. Never let any liquid get inside the tool and never immerse any part of the tool into liquid.

Mains plug replacement (U.K. & Ireland only)

If a new mains plug needs to be fitted:

- ◆ Safely dispose of the old plug.
- ◆ Connect the brown lead to the live terminal in the new plug.
- ◆ Connect the blue lead to the neutral terminal.

Warning! No connection is to be made to the earth terminal. Follow the fitting instructions supplied with good quality plugs. Recommended fuse: 5 A.

Protecting the environment



Separate collection. This product must not be disposed of with normal household waste.

Should you find one day that your BLACK+DECKER product needs replacement, or if it is of no further use to you, do not dispose of it with household waste. Make this product available for separate collection.



Separate collection of used products and packaging allows materials to be recycled and used again. Re-use of recycled materials helps prevent environmental pollution and reduces the demand for raw materials.

Local regulations may provide for separate collection of electrical products from the household, at municipal waste sites or by the retailer when you purchase a new product.

BLACK+DECKER provides a facility for the collection and recycling of BLACK+DECKER products once they have reached the end of their working life. To take advantage of this service please return your product to any authorised repair agent who will collect them on our behalf.

You can check the location of your nearest authorised repair agent by contacting your local BLACK+DECKER office at the address indicated in this manual. Alternatively, a list of authorised BLACK+DECKER repair agents and full details of our after-sales service and contacts are available on the Internet at: www.2helpU.com

Technical data

		KS501 (Type 1)	KS701E/PE (Type 1)
Input voltage		V_{ac}	230
No-load speed	(KS501)	min^{-1}	3,000
	(KS701E and KS701PE)	min^{-1}	0-3,000
Max depth of cut			
Wood	(KS501)	mm	65
	(KS701E and KS701PE)	mm	70
Steel		mm	5
Aluminium	(KS501)	mm	10
	(KS701E and KS701PE)	mm	15
Weight	(KS501)	kg	1.3
	(KS701E)	kg	1.6
	(KS701PE)	kg	1.7

KS501

L_{pA} (sound pressure) 85.5 dB(A), Uncertainty (K) 3 dB(A)

L_{WA} (sound power) 96.5 dB(A), Uncertainty (K) 3 dB(A)

Vibration total values (triax vector sum) according to EN 60745:

Cutting boards ($a_{h,B}$) 9.3 m/s^2 , uncertainty (K) 1.5 m/s^2

Cutting sheet metal ($a_{h,M}$) 12.6 m/s^2 , uncertainty (K) 1.5 m/s^2

KS701E

L_{pA} (sound pressure) 88 dB(A), Uncertainty (K) 3 dB(A)

L_{WA} (sound power) 99 dB(A), Uncertainty (K) 3 dB(A)

Vibration total values (triax vector sum) according to EN 60745:

Cutting boards ($a_{h,B}$) 5.8 m/s^2 , uncertainty (K) 1.5 m/s^2

Cutting sheet metal ($a_{h,M}$) 6.3 m/s^2 , uncertainty (K) 1.5 m/s^2

KS701PE

L_{pA} (sound pressure) 89 dB(A), Uncertainty (K) 3 dB(A)

L_{WA} (sound power) 100 dB(A), Uncertainty (K) 3 dB(A)

Vibration total values (triax vector sum) according to EN 60745:

Cutting boards ($a_{h,B}$) 12.5 m/s^2 , uncertainty (K) 1.5 m/s^2

Cutting sheet metal ($a_{h,M}$) 9.9 m/s^2 , uncertainty (K) 1.5 m/s^2

EC declaration of conformity

MACHINERY DIRECTIVE



KS501 / KS701E / KS701PE

Black & Decker declares that these products described under "technical data" are in compliance with:

2006/42/EC, EN 60745-1, EN 60745-2-11

These products also comply with Directive 2014/30/EU and 2011/65/EU. For more information, please contact Black & Decker at the following address or refer to the back of the manual.

The undersigned is responsible for compilation of the technical file and makes this declaration on behalf of Black & Decker.

Ray Laverick
Engineering Manager
Black & Decker Europe, 210 Bath Road, Slough,
Berkshire, SL1 34D,
United Kingdom
11/09/2014

Guarantee & Warranty

Black & Decker is confident of the quality of its products and offers an outstanding guarantee. This guarantee statement is in addition to and in no way prejudices your contractual rights. The guarantee is valid within the territories of the Member States of the European Union and the European Free Trade Area.

If your Black & Decker product becomes defective due to faulty materials or workmanship within 24 months from the date of purchase, Black & Decker guarantees to replace all defective parts, repair products subjected to fair wear and tear or replace such products to make sure of the minimum inconvenience to the customer unless:

- ◆ The product has been used for trade, professional or hire purposes.
- ◆ The product has been subject to misuse or neglect.
- ◆ The product has sustained damage through foreign objects, substances or accidents.
- ◆ Repairs have been attempted by persons other than authorised repair agents or Black & Decker service staff.

To claim on the guarantee, you will need to submit proof of purchase to the seller or an authorised repair agent. You can check the location of your nearest authorised repair agent by contacting your local Black & Decker office at the address indicated in this manual. Alternatively, a list of authorised Black & Decker repair agents and full details of our after sales service and contacts are available on the Internet at: www.2helpU.com

Please visit our website www.blackanddecker.co.uk to register your new BLACK+DECKER product and to be kept up to date on new products and special offers. Further information on the BLACK+DECKER brand and our range of products is available at www.blackanddecker.eu.

Bestimmungsgemäße Verwendung

Ihre BLACK+DECKER Stichsäge wurde zum Sägen von Holz, Kunststoff und Metall entwickelt. Dieses Gerät ist nicht für den gewerblichen Einsatz bestimmt.

Sicherheitshinweise

Allgemeine Sicherheitswarnungen für das Gerät



Achtung! Lesen Sie sämtliche Sicherheitswarnungen und Anweisungen. Die Nichteinhaltung der nachstehend aufgeführten Warnungen und Anweisungen kann einen elektrischen Schlag, Brand und/oder schwere Verletzungen verursachen.

Bewahren Sie alle Sicherheitswarnungen und Anweisungen gut auf. Der nachfolgend verwendete Begriff "Gerät" bezieht sich auf netzbetriebene Geräte (mit Netzkabel) und auf akkubetriebene Geräte (ohne Netzkabel).

1. Sicherheit im Arbeitsbereich

- a: **Sorgen Sie für einen sauberen und gut ausgeleuchteten Arbeitsbereich.** Unordnung oder dunkle Arbeitsbereiche können zu Unfällen führen.
- b: **Verwenden Sie die Geräte nicht in Umgebungen, in denen Explosionsgefahr z. B. aufgrund von brennbaren Flüssigkeiten, Gasen oder Staub besteht.** Geräte erzeugen Funken, die den Staub oder die Dämpfe entzünden können.
- c: **Halten Sie Kinder und andere Personen während der Benutzung eines Geräts fern.** Bei Ablenkung können Sie die Kontrolle verlieren.

2. Elektrische Sicherheit

- a: **Der Netzstecker des Geräts muss in die Steckdose passen.** Der Stecker darf in keiner Weise verändert werden. **Verwenden Sie für schutzgeerdete Geräte keine Adapterstecker.** Unveränderte Stecker und passende Steckdosen verringern das Risiko eines elektrischen Schlags.
- b: **Vermeiden Sie Körperkontakt mit geerdeten Oberflächen von Rohren, Heizungen, Herden und Kühlschränken.** Wenn Ihr Körper geerdet ist, besteht ein erhöhtes Risiko eines elektrischen Schlags.
- c: **Halten Sie Geräte von Regen und Feuchtigkeit fern.** Das Eindringen von Wasser in ein Gerät erhöht das Risiko eines elektrischen Schlags.
- d: **Verwenden Sie das Kabel ordnungsgemäß. Verwenden Sie es niemals zum Tragen. Trennen Sie das Gerät nicht durch Ziehen am Kabel vom Netz. Halten Sie das Kabel fern von Hitze, Öl, scharfen Kanten oder sich bewegenden Teilen.** Beschädigte oder verwickelte Kabel erhöhen das Risiko eines elektrischen Schlags.
- e: **Verwenden Sie nur für den Außenbereich zugelassene Verlängerungskabel, wenn Sie mit dem Gerät im Freien arbeiten.** Die Verwendung eines für den Außenbereich geeigneten Verlängerungskabels verringert das Risiko eines elektrischen Schlags.
- f: **Wenn das Gerät in einer feuchten Umgebung verwendet werden muss, schließen Sie es unbedingt**

an eine Steckdose mit Fehlerstromschutzschalter (RCD). Die Verwendung eines Fehlerstromschutzschalters verringert das Risiko eines elektrischen Schlags.

3. Persönliche Sicherheit

- a: **Verwenden Sie das Gerät aufmerksam und vernünftig. Benutzen Sie das Gerät nicht, wenn Sie müde sind oder unter dem Einfluss von Drogen, Alkohol oder Medikamenten stehen.** Ein Moment der Unachtsamkeit beim Gebrauch von Geräten kann zu ernsthaften Verletzungen führen.
- b: **Verwenden Sie eine geeignete Schutzausrüstung. Tragen Sie stets einen Augenschutz.** Schutzausrüstung wie Staubmaske, rutschfeste Sicherheitsschuhe, Schutzhelm oder Gehörschutz, je nach Art und Einsatz des Geräts, verringert das Risiko von Verletzungen.
- c: **Vermeiden Sie eine unbeabsichtigte Inbetriebnahme. Vergewissern Sie sich, dass das Gerät ausgeschaltet ist, bevor Sie es an eine Steckdose oder einen Akku anschließen, es hochheben oder tragen.** Durch das Tragen des Geräts mit dem Finger am Schalter oder durch das Anschließen eingeschalteter Geräte werden Unfälle provoziert.
- d: **Entfernen Sie Einstell- oder Schraubenschlüssel, bevor Sie das Gerät einschalten.** Ein Schlüssel, der sich in einem drehenden Teil befindet, kann zu Verletzungen führen.
- e: **Beugen Sie sich nicht zu weit nach vorne über. Achten Sie auf einen sicheren Stand, um in jeder Arbeitsposition das Gleichgewicht zu halten.** Dadurch können Sie das Gerät in unerwarteten Situationen besser unter Kontrolle halten.
- f: **Tragen Sie geeignete Kleidung. Tragen Sie keine weite Kleidung oder Schmuck. Halten Sie Haare, Kleidung und Handschuhe fern von sich bewegenden Teilen.** Weite Kleidung, Schmuck oder lange Haare können von sich bewegenden Teilen erfasst werden.
- g: **Falls Staubabsaug- und -fangvorrichtungen vorhanden sind, vergewissern Sie sich, dass diese angeschlossen sind und richtig verwendet werden.** Das Verwenden einer Staubauffangvorrichtung verringert Gefährdungen durch Staub.

4. Gebrauch und Pflege von Geräten

- a: **Überlasten Sie das Gerät nicht. Verwenden Sie das für Ihre Arbeit passende Gerät.** Durch das Arbeiten in dem für das Gerät angegebenen Leistungsbereich erzielen Sie nicht nur optimale Ergebnisse, Sie erhöhen auch die Sicherheit.
- b: **Verwenden Sie das Gerät nicht, wenn der Ein-/Ausschalter nicht funktioniert.** Ein Gerät, das sich nicht mehr ein- oder ausschalten lässt, ist gefährlich und muss repariert werden.
- c: **Ziehen Sie den Stecker aus der Steckdose, und/oder trennen Sie das Gerät vom Akku, bevor Sie Einstellungen vornehmen, Zubehörteile wechseln oder das Gerät lagern.** Diese Vorsichtsmaßnahme verhindert den unbeabsichtigten Start des Geräts.
- d: **Bewahren Sie unbenutzte Geräte außerhalb der Reichweite von Kindern auf. Lassen Sie Geräte nicht von Personen benutzen, die damit nicht vertraut sind oder diese Anweisungen nicht gelesen haben.** Geräte sind gefährlich, wenn Sie von unerfahrenen Personen benutzt werden.

- e: **Halten Sie Geräte in einem einwandfreien Zustand. Kontrollieren Sie, ob bewegliche Teile falsch ausgerichtet sind oder klemmen und ob Teile gebrochen oder so beschädigt sind, dass die Funktion des Geräts beeinträchtigt ist. Lassen Sie beschädigte Geräte vor dem Gebrauch reparieren.** Viele Unfälle haben ihre Ursache in schlecht gewarteten Geräten.
- f: **Halten Sie Schneidwerkzeuge scharf und sauber.** Sorgfältig gepflegte Schneidwerkzeuge mit scharfen Schneidkanten verkleben sich seltener und sind leichter zu führen.
- g: **Verwenden Sie Gerät, Zubehör, Einsatz-Bits usw. entsprechend diesen Anweisungen, und berücksichtigen Sie dabei die Arbeitsbedingungen und die auszuführende Arbeit.** Der Gebrauch von Geräten für andere als die vorgesehenen Anwendungen kann zu gefährlichen Situationen führen.
5. Service
- a: **Lassen Sie das Gerät nur von qualifiziertem Fachpersonal und nur mit Originalersatzteilen reparieren.** So wird gewährleistet, dass die Sicherheit des Geräts erhalten bleibt.

Zusätzliche Sicherheitswarnungen für das Gerät



Achtung! Sicherheitshinweise für alle Sägen

- ◆ **Halten Sie das Gerät an den isolierten Griffflächen fest, wenn Sie Arbeiten ausführen, bei denen verdeckte Kabel durch Werkzeuge beschädigt werden können.** Der Kontakt mit stromführenden Leitungen kann auch offenliegende Metallteile am Gerät unter Strom setzen und zu einem Stromschlag führen.
- ◆ **Fixieren Sie das Werkstück mit Zwingen oder ähnlichen Hilfsmitteln auf einer stabilen Oberfläche.** Ein Werkstück, das mit der Hand oder gegen den Körper gehalten wird, ist unzureichend befestigt und kann leicht außer Kontrolle geraten.
- ◆ **Halten Sie Ihre Hände von der Schneidzone fern.** Greifen Sie niemals unter das zu schneidende Werkstück. Bewegen Sie Ihre Finger nicht in die Nähe des sich bewegenden Sägeblattes und dessen Klemme. Versuchen Sie nicht, die Säge zu stabilisieren, indem Sie diese am Sägeschuh halten.
- ◆ **Halten Sie die Sägeblätter scharf.** Stumpfe oder beschädigte Sägeblätter können dazu führen, dass die Säge unter Druck blockiert oder ausbricht. Verwenden Sie immer ein für das jeweilige Werkstück und die Schnittart geeignetes Sägeblatt.
- ◆ **Achten Sie beim Sägen von Rohren oder Leitungen darauf, dass diese frei von Wasser, Stromkabeln und Ähnlichem sind.**
- ◆ **Berühren Sie das Werkstück oder das Sägeblatt nicht direkt nach dem Gebrauch.** Beides kann sehr heiß werden.
- ◆ **Achten Sie auch auf nicht sichtbare Gefahren, wenn Sie in Wände, Böden oder Decken sägen.** Prüfen Sie diese Stellen auf dahinter liegende Kabel oder Rohre.
- ◆ **Das Sägeblatt bewegt sich auch dann noch, wenn Sie den Schalter losgelassen haben.** Schalten Sie das Gerät vor dem Ablegen stets aus, und warten Sie, bis das Sägeblatt zum Stillstand gekommen ist.

Achtung! Die Berührung und das Einatmen von Stäuben, die beim Sägen von Materialien entstehen, können beim Bediener und bei Zuschauern gesundheitliche Schäden verursachen. Tragen Sie eine speziell für den Schutz vor Staub und Dämpfen vorgesehene Staubmaske, und stellen Sie sicher, dass auch andere Personen entsprechend geschützt sind, die den Arbeitsplatz betreten oder sich dort aufhalten.

- ◆ In dieser Anleitung ist die bestimmungsgemäße Verwendung beschrieben. Die Verwendung von Zubehör oder Anbauteilen, die nicht in dieser Anleitung empfohlen sind, sowie die Bedienung des Geräts in Abweichung von den in dieser Anleitung beschriebenen Verfahren können zu Verletzungen und/oder Sachschäden führen.

Sicherheit anderer Personen

- ◆ Dieses Gerät darf nicht von Personen (einschließlich Kindern) mit eingeschränkter körperlicher, sensorischer oder geistiger Fähigkeiten oder mangelnder Erfahrung und Wissen in Bezug auf dessen Gebrauch bedient werden, es sei denn, sie werden bei der Verwendung des Geräts von einer erfahrenen Person beaufsichtigt oder angeleitet.
- ◆ Kinder müssen beaufsichtigt werden, um sicherzustellen, dass sie nicht mit dem Gerät spielen.

Vibration

Die in den Abschnitten "Technische Daten" und "EU-Konformitätserklärung" angegebenen Werte für die Vibrationsemission wurden mit einer Standard-Prüfmethode nach EN 60745 ermittelt und können zum Vergleich verschiedener Geräte herangezogen werden. Außerdem kann mit Hilfe dieses Werts die Belastung bei Verwendung des Geräts schon im Voraus eingeschätzt werden.

Achtung! Die bei Verwendung des Geräts auftretende Vibrationsemission hängt von der Art des Gerätegebrauchs ab und kann dementsprechend von dem angegebenen Wert abweichen. Gegebenenfalls kann die Vibration über dem angegebenen Wert liegen.

Für die Ermittlung der Vibrationsbelastung müssen die tatsächlichen Einsatzbedingungen und Verwendungen des Geräts während des gesamten Arbeitsgangs berücksichtigt werden, einschließlich der Zeiten, wenn das Gerät nicht verwendet oder im Leerlauf betrieben wird. Diese Werte werden benötigt, um die gemäß 2002/44/EG erforderlichen Sicherheitsmaßnahmen zum Schutz von Personen festlegen zu können.

Warnsymbole am Gerät

Am Gerät sind folgende Warnsymbole angebracht:



Achtung! Lesen Sie vor Gebrauch die Anleitung. Andernfalls besteht Verletzungsgefahr.

Elektrische Sicherheit



Dieses Gerät ist schutzisoliert, daher ist keine Erdleitung erforderlich. Überprüfen Sie stets, ob die Netzspannung der auf dem Typenschild des Geräts angegebenen Spannung entspricht.

- ◆ Bei einer Beschädigung des Netzkabels muss dieses durch den Hersteller oder eine BLACK+DECKER Vertragswerkstatt ausgetauscht werden, um mögliche Gefahren zu vermeiden.

Merkmale

Dieses Gerät verfügt über einige oder alle der folgenden Merkmale:

1. Geschwindigkeitsregler (KS701E und KS701PE) oder Ein-/Ausschalter (KS501)
2. Feststellknopf
3. Hebel für Sägeblattverriegelung
4. Sägeschuh
5. Staubabsaugöffnung (nur KS701E und KS701PE)
6. Pendelhubzahlregler (nur KS701PE)

Montage

Achtung! Vergewissern Sie sich vor Ausführung der folgenden Schritte, dass das Gerät ausgeschaltet und vom Stromnetz getrennt ist, und dass das Sägeblatt zum Stillstand gekommen ist. Nach Verwendung kann das Sägeblatt heiß sein.

Anbringen des Sägeblatts (Abb. A – KS701E und KS701PE)

- ◆ Halten Sie das Sägeblatt (7) wie gezeigt mit den Zähnen nach vorne.
- ◆ Ziehen Sie den Verriegelungshebel (3) aus dem Sägeschuh (4) heraus.
- ◆ Setzen Sie den Schaft des Sägeblatts in den Sägeblatthalter (8) ein, und drücken Sie das Sägeblatt bis zum Anschlag nach unten.
- ◆ Stellen Sie die Führungsrolle (17) für das Sägeblatt wie oben beschrieben ein.
- ◆ Lassen Sie den Verriegelungshebel (3) los.

Einsetzen des Sägeblatts (Abb. A – KS501)

- ◆ Die Führungsrolle für das Sägeblatt (17) muss vor dem Anbringen oder Entfernen des Sägeblatts (7) auf die hintere Position eingestellt werden, damit sie das Sägeblatt nicht berührt.
- ◆ Lösen Sie die beiden Schrauben, aber entfernen Sie sie nicht (18).
- ◆ Halten Sie das Sägeblatt (7) mit den Zähnen nach vorne.
- ◆ Setzen Sie den Schaft des Sägeblatts (7) in den Sägeblatthalter (8) ein, und setzen Sie das Sägeblatt bis zum Anschlag ein.
- ◆ Ziehen Sie die beiden Schrauben (18) abwechselnd leicht an, um das Sägeblatt in Position zu bringen. Ziehen Sie die beiden Schrauben (18) anschließend vollständig fest.
- ◆ Stellen Sie die Führungsrolle (17) für das Sägeblatt wie oben beschrieben ein.
- ◆ Um das Sägeblatt (7) zu entfernen, drehen Sie beide Schrauben (18) eine Umdrehung gegen den Uhrzeigersinn.

Anschließen eines Staubsaugers am Gerät (Abb. B – nur KS701E und KS701PE)

- ◆ Bringen Sie die Staubsaugerdüse (9) an der Staubabsaugöffnung (5) an.

Restrisiken

Möglicherweise entstehen bei der Verwendung dieses Geräts zusätzliche Restrisiken, die nicht in den Sicherheitswarnungen

genannt werden. Diese Risiken bestehen beispielsweise bei Missbrauch oder längerem Gebrauch.

Auch bei der Einhaltung der entsprechenden Sicherheitsvorschriften und der Verwendung aller Sicherheitsgeräte bestehen weiterhin bestimmte Restrisiken. Diese werden im Folgenden aufgeführt:

- ◆ Verletzungen, die durch das Berühren von sich drehenden/bewegenden Teilen verursacht werden.
- ◆ Verletzungen, die durch das Austauschen von Teilen, Messern oder Zubehör verursacht werden.
- ◆ Verletzungen, die durch längeren Gebrauch eines Geräts verursacht werden. Legen Sie bei längerem Gebrauch regelmäßige Pausen ein.
- ◆ Beeinträchtigung des Gehörs.
- ◆ Gesundheitsrisiken durch das Einatmen von Staub beim Verwenden des Geräts (beispielsweise bei Holzarbeiten, insbesondere Eiche, Buche und Pressspan).

Gebrauch

Schwenken des Sägeschuhs für Gehrungsschnitte (Abb. C)

Achtung! Betreiben Sie das Gerät nicht mit losem oder abgenommenerm Sägeschuh.

Der Sägeschuh (4) kann in einem Winkel von 45° nach links und rechts geschwenkt werden.

- ◆ Lösen Sie die Schrauben. Bei einigen Modellen ist nur eine Schraube vorhanden.
- ◆ Ziehen Sie den Sägeschuh (4) nach vorn, drehen Sie ihn nach links oder rechts, und schieben Sie die Platte zurück in die 45°-Position (nur KS701E und KS701PE).
- ◆ Ziehen Sie den Sägeschuh (4) zurück, schwenken Sie ihn nach rechts, und ziehen Sie ihn zurück in die 45°-Position (nur KS501).
- ◆ Ziehen Sie die Schrauben fest.

So bringen Sie den Sägeschuh (4) wieder in die 90°-Position:

- ◆ Lösen Sie die Schrauben (10).
- ◆ Ziehen Sie den Sägeschuh (4) nach vorn, schwenken Sie ihn zur Mitte, und drücken Sie ihn nach hinten in die 0°-Position.
- ◆ Ziehen Sie die Schrauben fest.

Drehzahlregler (nur KS701E und KS701PE)

- ◆ Wählen Sie für Holz eine hohe, für Aluminium und PVC ein mittlere und für andere Metalle eine niedrige Geschwindigkeit.

Ein- und Ausschalten

- ◆ Um das Gerät einzuschalten, drücken Sie den Geschwindigkeitsregler (KS701E und KS701PE) oder den Ein-/Ausschalter (KS501) (1). Bei KS701E- und KS107PE-Geräten hängt die Geschwindigkeit davon ab, wie weit Sie den Schalter eindrücken.
- ◆ Für das Arbeiten im Dauerbetrieb drücken Sie den Feststellknopf (2) und den Geschwindigkeitsregler. Diese Option steht nur für den Betrieb bei voller Geschwindigkeit zur Verfügung.
- ◆ Um das Gerät auszuschalten, lassen Sie den Geschwindigkeitsregler los. Wenn sich das Gerät im Dauerbetrieb befindet, müssen Sie zum Ausschalten den Geschwindigkeitsregler oder den Ein-/Ausschalter erneut drücken und loslassen.

Verwenden der Sichtlinie® (Abb. D)

- ◆ Markieren Sie die Schnittlinie mit einem geeigneten Stift.
 - ◆ Richten Sie die Stichsäge über der Linie (11) aus.
- Wenn Sie von oben auf die Stichsäge blicken, können Sie der Schnittlinie problemlos folgen.

Schnittmodus (nur KS701PE)

Bei Pendelhub oder Pendelbewegung wird das Sägeblatt aggressiver geführt. Diese Bewegung ist für das Sägen von weichem Material wie Holz oder Plastik vorgesehen und ermöglicht einen schnelleren Schnitt, jedoch mit einer weniger glatten Schnittkante. Ihr Stichsäge verfügt über einen Pendelhubzahlregler. Der Gebrauch dieses Reglers wird im nächsten Abschnitt erläutert.

Hinweis: Schneiden Sie im Pendelhub niemals Metall.

Pendelhubzahlregler (Abb. E – nur KS701PE)

Der KS701PE verfügt über diese vier Schnittmodi mit sich erhöhenden Pendelbewegungen:

- ◆ Position 0: Metall, Aluminium und Bleche (keine Pendelbewegung).
- ◆ Position 1: für Laminat, Hartholz und Arbeitsplatten.
- ◆ Position 2: für Sperrholz und PVC/Kunststoffe.
- ◆ Position 3: für Weichholz und schnelle Schnitte.

So stellen Sie die Pendelbewegung ein:

- ◆ Drehen Sie den Pendelhubregler (6) auf die gewünschte Position.

Sägen

Halten Sie beim Sägen das Gerät mit beiden Händen fest. Der Sägeschuh (4) sollte fest gegen das Werkstück gedrückt werden. So verhindern Sie ein Springen der Säge. Außerdem reduzieren Sie die Vibrationen, und Sie minimieren das Risiko eines Brechens des Sägeblatts.

- ◆ Lassen Sie das Sägeblatt einige Sekunden frei schwingen, bevor Sie mit der Arbeit beginnen.
- ◆ Üben Sie während des Sägens nur einen geringen Druck auf das Gerät aus.

Hinweise für optimale Arbeitsergebnisse**Sägen von Laminat**

Beim Sägen von Laminat kann die sichtbare Oberfläche splintern. Der Schnittvorgang der meisten Sägeblätter geschieht bei der Aufwärtsbewegung. Verwenden Sie deshalb, wenn sich der Sägeschuh auf der Oberseite des Werkstücks befindet, ein Sägeblatt, dessen Schnittvorgang bei der Abwärtsbewegung stattfindet, oder:

- ◆ Verwenden Sie ein Sägeblatt mit feiner Zahnung.
- ◆ Drehen Sie das Werkstück um, und setzen Sie die Säge an der Unterseite an.
- ◆ Ausgefranzte Kanten und Absplitterungen können Sie auch vermeiden, indem Sie das zu sägende Werkstück zwischen zwei Holz- oder Pressspanplatten einspannen und dieses "Sandwich" sägen.

Sägen von Metall

Achtung! Verwenden Sie beim Schneiden von Metall keinen Staubsauger. Metallspäne sind heiß und können Brände verursachen.

Das Sägen von Metall erfolgt wesentlich langsamer als bei Werkstücken aus Holz.

- ◆ Verwenden Sie ein Sägeblatt, das zum Sägen von Metall geeignet ist.
- ◆ Spannen Sie dünne Metallbleche zum Sägen auf eine Holz- oder Pressspanplatte.
- ◆ Bringen Sie einen dünnen Ölfilm entlang der beabsichtigten Schnittlinie auf.

Parallelanschlag (nur KS701E und KS701PE)

Längs- und kreisförmiges Schneiden ohne vorgezeichnete Schnittlinie wird mit Parallelanschlag und Kreisführung vereinfacht (optionales Zubehör – Teilenummer X43005-XJ).

Anbringen des Parallelanschlags (Abb. F u. G)

- ◆ Setzen Sie den Parallelanschlag (14) in die Schlitz des Sägeschuhs mit der Anschlagsschiene nach unten ein (siehe Abbildung F).
- ◆ Bringen Sie die Schrauben (15) an den Löchern unten am Sägeschuh an.
- ◆ Richten Sie die Schraubzwinde (16) über den Schrauben mit dem Stehfalz nach unten aus, sodass diese zur Rückseite der Säge zeigt.
- ◆ Drehen Sie die Schrauben mit einem Kreuzschlitzschraubendreher in das Gewindeloch der Schraubzwinde (siehe Abbildung G).
- ◆ Stellen Sie die Schnittgröße ein, und ziehen Sie die Schrauben fest.

Kreisförmiges Schneiden (Abb. H – nur KS701E und KS701PE)

- ◆ Setzen Sie den Parallelanschlag in den Schlitz auf der rechten Seite des Sägeschuhs mit der Anschlagsschiene nach oben ein.
- ◆ Stellen Sie den Parallelanschlag ein, sodass die Entfernung zwischen Sägeblatt und Loch der Anschlagsschiene den gewünschten Radius aufweist. Ziehen Sie die Schrauben fest.
- ◆ Platzieren Sie die Säge so, dass sich das Loch der Anschlagsschiene über dem Mittelpunkt des zu schneidenden Kreises befindet. (Bohren Sie nach dem Eintauchschnitt ein Loch für das Blatt, oder schneiden Sie von der Kante nach innen, um das Blatt in Position zu bringen).
- ◆ Wenn sich die Säge in der richtigen Position befindet, führen Sie einen kleinen Nagel durch das Loch der Anschlagsschiene in den exakten Kreismittelpunkt.
- ◆ Verwenden Sie den Parallelanschlag als Gelenkarm, und schneiden Sie den Kreis.

Eintauchschnitt (Abb. I)

Eine einfache Methode für Innenschnitte ist der Eintauchschnitt. Die Säge kann direkt in eine Platte oder ein Brett eingeführt werden. Eine Vorbohrung ist nicht erforderlich. Messen Sie bei Eintauchschnitten die zu schneidende Oberfläche ab, und markieren Sie diese mit einem geeigneten Stift. Kippen Sie dann die Säge nach vorne, bis die Vorderseite des Sägeschuhs fest auf der Arbeitsoberfläche aufliegt und das Sägeblatt den vollen Hub erreicht. Schalten Sie das Gerät ein, und warten Sie, bis die Höchstgeschwindigkeit erreicht wurde. Halten Sie die Säge fest, und senken Sie das hintere Ende des Geräts langsam ab, bis das Sägeblatt die maximale Schnitttiefe erreicht. Halten Sie den Sägeschuh flach gegen das zu schneidende Holz, und beginnen Sie mit dem Schneiden. Entfernen Sie keinesfalls ein sich bewegendes Sägeblatt von der

Schneidzone. Warten Sie, bis das Sägeblatt vollständig zum Stillstand gekommen ist.

Wartung

Ihr BLACK+DECKER Gerät wurde im Hinblick auf eine lange Lebensdauer und einen möglichst geringen Wartungsaufwand entwickelt. Ein dauerhafter, einwandfreier Betrieb setzt eine regelmäßige Pflege und Reinigung voraus.

- ◆ Reinigen Sie regelmäßig die Lüftungsschlitze des Geräts mit Hilfe einer weichen Bürste oder eines trockenen Tuchs.
- ◆ Reinigen Sie das Motorgehäuse regelmäßig mit einem feuchten Tuch.
Verwenden Sie keine scheuernden Reinigungsmittel oder Reinigungsmittel auf Lösungsmittelbasis.
Achten Sie darauf, dass keine Flüssigkeit in das Gerät gelangt. Tauchen Sie kein Teil des Geräts in Flüssigkeit ein.

Austauschen des Netzsteckers (nur Großbritannien und Irland)

Gehen Sie folgendermaßen vor, wenn ein neuer Netzstecker angebracht werden muss:

- ◆ Entsorgen Sie den alten Stecker auf sachgerechte Weise.
- ◆ Verbinden Sie die braune Leitung mit dem spannungsführenden Anschluss des Steckers.
- ◆ Verbinden Sie die blaue Leitung mit dem neutralen Anschluss.

Achtung! Der Erdleiter wird nicht angeschlossen. Befolgen Sie die Anleitungen, die dem Stecker beiliegen. Empfohlene Sicherung: 5 A.

Umweltschutz



Getrennte Entsorgung. Dieses Produkt darf keinesfalls mit dem Hausmüll entsorgt werden.

Sollten Sie Ihr BLACK+DECKER Produkt eines Tages ersetzen oder nicht mehr benötigen, entsorgen Sie es nicht mit dem Hausmüll. Führen Sie das Produkt einer getrennten Sammlung zu.



Durch die getrennte Sammlung von ausgedienten Produkten und Verpackungsmaterialien können Rohstoffe recycelt und wiederverwendet werden. Die Wiederverwendung aufbereiteter Materialien trägt zur Vermeidung von Umweltverschmutzung bei und senkt den Rohstoffbedarf.

Die Verordnung zur Abfallentsorgung Ihrer Gemeinde sieht möglicherweise vor, dass Elektrogeräte getrennt vom Hausmüll gesammelt, an der örtlichen Abfallentsorgungseinrichtung abgegeben oder beim Kauf eines neuen Produkts vom Fachhandel zur Entsorgung angenommen werden müssen.

BLACK+DECKER nimmt Ihre ausgedienten BLACK+DECKER Geräte gern zurück und sorgt für eine umweltfreundliche Entsorgung bzw. Wiederverwertung. Um diese Dienstleistung in Anspruch zu nehmen, geben Sie das Gerät bitte bei einer autorisierten Reparaturwerkstatt ab, die für uns die Einsammlung übernimmt.

Die Adresse der zuständigen Niederlassung von BLACK+DECKER steht in dieser Anleitung. Dort teilt man Ihnen gerne die nächstgelegene Vertragswerkstatt mit. Eine Liste der Vertragswerkstätten und aller Kundendienststellen von BLACK+DECKER sowie der zuständigen Ansprechpartner finden Sie auch im Internet unter: www.2helpU.com

Technische Daten

		KS501 (Typ 1)	KS701E/PE (Typ 1)
Eingangsspannung		V _{ac}	230
Leerlaufdrehzahl	(KS501)	min ⁻¹	3,000
	(KS701E und KS701PE)	min ⁻¹	0-3,000
Maximale			
Schnitttiefe	(KS501)	mm	65
Holz	(KS701E und KS701PE)	mm	70
		mm	5
Stahl	(KS501)	mm	10
Aluminium	(KS701E und KS701PE)	mm	15
Gewicht	(KS501)	kg	1.3
	(KS701E)	kg	1.6
	(KS701PE)	kg	1.7

KS501

L_{pA} (Schalldruck) 85.5 dB(A), Unsicherheitsfaktor (K) 3 dB(A)

L_{WA} (Schalleistung) 96.5 dB(A), Unsicherheitsfaktor (K) 3 dB(A)

Gesamtvibration (Triax-Vektorsumme) gemäß EN 60745:

Schneiden von Brettern (a_{h,B}) 9.3 m/s², Unsicherheitsfaktor (K) 1.5 m/s²

Schneiden von Metallblech (a_{h,M}) 12.6 m/s², Unsicherheitsfaktor (K) 1.5 m/s²

KS701E

L_{pA} (Schalldruck) 88 dB(A), Unsicherheitsfaktor (K) 3 dB(A)

L_{WA} (Schalleistung) 99 dB(A), Unsicherheitsfaktor (K) 3 dB(A)

Gesamtvibration (Triax-Vektorsumme) gemäß EN 60745:

Schneiden von Brettern (a_{h,B}) 5.8 m/s², Unsicherheitsfaktor (K) 1.5 m/s²

Schneiden von Metallblech (a_{h,M}) 6.3 m/s², Unsicherheitsfaktor (K) 1.5 m/s²

KS701PE

L_{pA} (Schalldruck) 89 dB(A), Unsicherheitsfaktor (K) 3 dB(A)

L_{WA} (Schalleistung) 100 dB(A), Unsicherheitsfaktor (K) 3 dB(A)

Gesamtvibration (Triax-Vektorsumme) gemäß EN 60745:

Schneiden von Brettern (a_{h,B}) 12.5 m/s², Unsicherheitsfaktor (K) 1.5 m/s²

Schneiden von Metallblech (a_{h,M}) 9.9 m/s², Unsicherheitsfaktor (K) 1.5 m/s²

EG-Konformitätserklärung MASCHINENRICHTLINIE



KS501 / KS701E / KS701PE

Black & Decker erklärt, dass diese unter "Technische Daten" beschriebenen Geräte übereinstimmen mit: 2006/42/EG, EN 60745-1, EN 60745-2-11

Diese Produkte entsprechen außerdem den Richtlinien 2014/30/EU und 2011/65/EU. Weitere Informationen erhalten Sie von Black & Decker unter der folgenden Adresse. Diese befindet sich auch auf der Rückseite dieser Anleitung.

Der Unterzeichnete ist verantwortlich für die Zusammenstellung der technischen Daten und gibt diese Erklärung im Namen von Black & Decker ab.

Ray Laverick
Engineering Manager
Black & Decker Europe, 210 Bath Road, Slough,
Berkshire, SL1 3AD,
Vereinigtes Königreich
11/09/2014

Garantie

Black & Decker vertraut auf die Qualität der eigenen Geräte und bietet dem Käufer eine außergewöhnliche Garantie. Diese Garantiezusage versteht sich unbeschadet der vertraglich festgeschriebenen Rechte und schränkt diese keinesfalls ein. Sie gilt in sämtlichen Mitgliedstaaten der Europäischen Union und der Europäischen Freihandelszone EFTA.

Tritt innerhalb von 24 Monaten ab Kaufdatum an Ihrem Gerät von Black & Decker ein auf Material- oder Verarbeitungsfehler zurückzuführender Mangel auf, garantiert Black & Decker den Austausch aller defekten Teile, die Reparatur von Geräten mit üblichem Verschleiß bzw. den Austausch eines mangelhaften Gerätes, ohne den Kunden dabei mehr als unbedingt nötig in Anspruch zu nehmen, allerdings vorbehaltlich folgender Ausnahmen:

- ◆ wenn das Gerät gewerblich, beruflich oder im Verleihgeschäft verwendet wurde;
- ◆ wenn das Gerät missbräuchlich verwendet oder mit mangelnder Sorgfalt behandelt wurde;
- ◆ wenn das Gerät durch Fremdeinwirkung beschädigt wurde;
- ◆ wenn ein unbefugter Reparaturversuch durch anderes Personal als das einer Vertragswerkstatt oder des Black & Decker Kundendienstes unternommen wurde.

Zur Inanspruchnahme dieser Garantie ist dem Verkäufer bzw. der Vertragswerkstatt ein Kaufnachweis vorzulegen. Die Adresse der zuständigen Niederlassung von Black & Decker steht in dieser Anleitung. Dort teilt man Ihnen gerne die nächstgelegene Vertragswerkstatt mit. Eine Liste der Vertragswerkstätten und aller Kundendienststellen von Black & Decker sowie der zuständigen Ansprechpartner finden Sie auch im Internet unter: www.2helpU.com

Bitte besuchen Sie unsere Website www.blackanddecker.de, um Ihr neues BLACK+DECKER Produkt zu registrieren und über neue Produkte und Sonderangebote informiert zu werden. Weitere Informationen über die Marke BLACK+DECKER und unsere Produkte finden Sie unter www.blackanddecker.eu.

Usage prévu

Votre scie BLACK+DECKER a été spécialement conçue pour scier du bois, du métal et du plastique. Cet outil est destiné à une utilisation exclusivement domestique.

Consignes de sécurité

Consignes de sécurité concernant les outils électroportatifs



Attention ! Lisez avec attention tous les avertissements et toutes les instructions. Le non-respect de cette consigne peut entraîner une électrocution, un incendie et/ou de graves blessures.

Conservez tous les avertissements et instructions pour référence ultérieure. La notion d'« outil électroportatif » mentionnée par la suite se rapporte à des outils électriques raccordés au secteur (avec câble de raccordement) ou fonctionnant avec piles (sans fil).

1. Sécurité de la zone de travail

- a. **Maintenez la zone de travail propre et bien éclairée.**
Un lieu de travail en désordre ou mal éclairé augmente le risque d'accidents.
- b. **N'utilisez pas les outils électroportatifs dans un environnement présentant des risques d'explosion ni en présence de liquides, gaz ou poussières inflammables.**
Les outils électroportatifs provoquent des étincelles risquant d'enflammer les poussières ou les vapeurs.
- c. **Éloignez les enfants et autres personnes quand un outil électroportatif est utilisé.** En cas d'inattention, vous risquez de perdre le contrôle.

2. Sécurité électrique

- a. **La prise de l'outil électroportatif doit être compatible avec la prise d'alimentation. Ne modifiez en aucun cas la prise. N'utilisez pas de prises d'adaptateur avec des appareils ayant une prise de terre.** Le respect de ces consignes réduit le risque de choc électrique.
- b. **Évitez le contact physique avec des surfaces mises à la terre telles que tuyaux, radiateurs, fours et réfrigérateurs.** Il y a un risque élevé de choc électrique si votre corps est relié à la terre.
- c. **N'exposez pas l'outil électroportatif à la pluie ou à l'humidité.** La pénétration d'eau dans un outil électroportatif augmente le risque de choc électrique.
- d. **Préservez le câble d'alimentation. N'utilisez pas le câble pour porter l'outil. Ne le tirez pas pour le débrancher.** Maintenez le câble éloigné des sources de chaleurs, des parties huilées, des bords tranchants ou des pièces mobiles. Le risque de choc électrique augmente si les câbles sont endommagés ou emmêlés.
- e. **Si l'outil électroportatif est utilisé pour des travaux à l'extérieur, utilisez une rallonge homologuée pour ce genre de travaux.** L'utilisation d'une rallonge électrique homologuée pour les travaux à l'extérieur réduit le risque de choc électrique.

- f. **Si l'outil doit être utilisé dans un endroit humide, prenez les précautions nécessaires en utilisant un dispositif à courant résiduel (RCD).** L'utilisation d'un tel dispositif réduit les risques d'électrocution.

3. Sécurité personnelle

- a. **Restez vigilant, surveillez ce que vous faites. Faites preuve de bon sens quand vous utilisez un outil électroportatif. N'utilisez pas l'outil lorsque vous êtes fatigué ou après avoir consommé de l'alcool ainsi que des médicaments.** Un moment d'inattention en utilisant l'outil peut entraîner de graves blessures.
- b. **Portez un équipement de protection. Portez toujours des lunettes de protection.** Selon le travail à effectuer, le port d'équipement de protection tels que masque anti-poussières, chaussures de sécurité antidérapantes, casque ou protection auditive, réduit le risque de blessures.
- c. **Évitez un démarrage imprévu. Le bouton doit être en position OFF (arrêt) avant d'effectuer le branchement à l'alimentation et/ou au bloc-batterie, de le ramasser ou de le porter.** Porter l'outil avec le doigt sur le bouton ou mettre l'outil sous tension avec le bouton activé peut être à l'origine d'accidents.
- d. **Retirez les outils ou clés de réglage avant de mettre l'outil en marche.** Une clé ou un outil se trouvant sur une pièce en rotation peut causer des blessures.
- e. **Adoptez une position confortable. Adoptez une position stable et gardez votre équilibre en permanence.** Vous contrôlerez ainsi mieux l'outil dans des situations inattendues.
- f. **Portez des vêtements appropriés. Ne portez pas de vêtements amples ou de bijoux. N'approchez pas les cheveux, vêtements ou gants des pièces mobiles.** Les vêtements amples, les bijoux ou les cheveux longs risquent de s'y accrocher.
- g. **Si des appareils servant à aspirer ou à recueillir les poussières sont utilisés, assurez-vous qu'ils sont correctement raccordés et utilisés.** L'utilisation de tels appareils réduit les dangers dus aux poussières.

4. Utilisation des outils électroportatifs et précautions

- a. **Respectez la capacité de l'outil. Utilisez l'outil électroportatif correspondant au travail à effectuer.** Avec un outil approprié, vous travaillerez mieux et en toute sécurité.
- b. **N'utilisez pas un outil électroportatif dont le bouton marche/arrêt est défectueux.** Un outil électroportatif qui ne répond pas à la commande marche/arrêt est dangereux et doit être réparé.
- c. **Retirez la prise de courant et/ou débranchez le bloc-batterie avant d'effectuer des réglages, de changer les accessoires ou de ranger l'outil.** Cette mesure de précaution empêche de mettre l'outil en marche accidentellement.
- d. **Rangez les outils électroportatifs hors de portée des enfants. Les personnes ne connaissant pas l'outil ou n'ayant pas lu ces instructions ne doivent en aucun cas l'utiliser.** Les outils électroportatifs sont dangereux lorsqu'ils sont utilisés par des personnes non initiées.

- e. **Entretenez les outils électroportatifs. Vérifiez que les parties mobiles fonctionnent correctement et qu'elles ne sont pas coincées. Vérifiez qu'il n'y a pas de pièces cassées ou endommagées susceptibles de nuire au bon fonctionnement de l'outil. S'il est endommagé, faites réparer l'outil avant de l'utiliser.** De nombreux accidents sont dus à des outils électroportatifs mal entretenus.
- f. **Les outils de coupe doivent toujours être aiguisés et propres.** Des outils soigneusement entretenus avec des bords tranchants bien aiguisés se coincent moins souvent et peuvent être guidés plus facilement.
- g. **Utilisez les outils électroportatifs, les accessoires, etc., en suivant ces instructions et en tenant compte des conditions de travail, ainsi que du travail à effectuer.** L'utilisation des outils électroportatifs à d'autres fins que celles prévues peut vous mettre en situation dangereuse.

5. Réparations

- a. **Faites réparer votre outil électroportatif uniquement par du personnel qualifié et seulement avec des pièces de rechange appropriées.** Cela garantira le maintien de la sécurité de votre outil.

Consignes de sécurité supplémentaires concernant les outils électroportatifs



Attention ! Consignes de sécurité pour toutes les scies

- ◆ **Tenez l'outil électrique au niveau des surfaces de prise isolées lorsque vous l'utilisez à des endroits où l'accessoire de coupe pourrait entrer en contact avec des fils cachés.** Tout contact de l'accessoire de coupe avec un fil « sous tension » pourrait transférer une charge électrique aux parties métalliques exposées de l'outil électrique et exposer l'opérateur à un choc électrique.
- ◆ **Utilisez des pinces ou autres pour fixer et soutenir la pièce de manière stable.** Si vous la tenez à la main ou contre votre corps, elle ne sera pas stable et vous pouvez en perdre le contrôle.
- ◆ **Éloignez vos mains des zones de découpe.** Ne cherchez jamais à atteindre le matériel par dessous. Ne passez pas vos doigts ou pouces à proximité de la fixation de la lame et de la lame en mouvement. Ne cherchez pas à stabiliser la scie en attrapant la semelle.
- ◆ **Maintenez les lames aiguisées.** Les lames émoussées ou endommagées peuvent faire dériver ou bloquer la scie pendant le fonctionnement. Utilisez toujours le type de lame approprié au matériau de la pièce à couper.
- ◆ **Avant de couper un tuyau ou une conduite, assurez-vous qu'il n'y a ni eau ni fil électrique, etc.**
- ◆ **Ne touchez pas la pièce coupée ou la lame immédiatement après avoir utilisé l'outil.** Elles peuvent être très chaudes.
- ◆ **Prenez garde aux dangers cachés. Avant de couper des murs, des planchers ou des plafonds, vérifiez l'emplacement des câblages et tuyaux.**

- ◆ **Le va-et-vient de la lame continue après avoir relâché le bouton.** Après avoir arrêté la scie (Off), attendez que la lame se stabilise complètement avant de poser l'outil.

Attention ! Tout contact ou inhalation de poussières pendant la coupe peut représenter un danger pour la santé de l'opérateur ainsi, qu'éventuellement, des personnes autour. Portez un masque antipoussières spécialement conçu pour vous protéger des sciures et des fumées toxiques et veillez à ce que les personnes se trouvant à l'intérieur de la zone de travail ou y pénétrant soient également protégées.

- ◆ L'usage prévu de l'outil est décrit dans le présent manuel d'instructions. L'utilisation d'un accessoire ou d'une fixation, ou bien l'utilisation de cet outil à d'autres fins que celles recommandées dans ce manuel d'instructions peut entraîner des blessures et/ou des dommages matériels.

Sécurité des personnes

- ◆ Cet outil ne peut être utilisé par des personnes (y compris des enfants) ayant des capacités mentales, sensorielles ou physiques réduites, ou celles manquant d'expérience et de connaissances, à moins qu'elles ne soient encadrées ou qu'elles n'aient été formées à l'utilisation de l'appareil par une personne responsable de leur sécurité.
- ◆ Surveillez les enfants afin d'éviter qu'ils jouent avec cet appareil.

Vibration

La valeur des émissions de vibration déclarée dans la section Déclaration/Caractéristiques techniques de conformité a été mesurée selon une méthode d'essai standard fournie par la norme EN 60745 et peut être utilisée pour comparer un outil à un autre. Elle peut aussi être utilisée pour une évaluation préliminaire à l'exposition.

Attention ! Selon la manière dont l'outil est utilisé, la valeur des émissions de vibration pendant l'utilisation de l'outil peut être différente de la valeur déclarée. Le niveau de vibration peut augmenter au-dessus du niveau établi.

Quand l'exposition aux vibrations est évaluée afin de déterminer les mesures de sécurité requises par la norme 2002/44/CE pour protéger les personnes utilisant régulièrement des outils électroportatifs, il faut tenir compte d'une estimation de l'exposition aux vibrations, des conditions actuelles d'utilisation et de la manière dont l'outil est utilisé. Il faut aussi tenir compte de toutes les pièces du cycle de fonctionnement comme la durée pendant laquelle l'outil est arrêté et quand il fonctionne au ralenti, ainsi que la durée du déclenchement.

Étiquettes de l'outil

Les symboles ci-dessous se trouvent sur l'outil :



Attention ! Pour réduire le risque de blessures, l'utilisateur doit lire le manuel d'instructions.

Sécurité électrique



Cet outil est doublement isolé ; il ne nécessite donc pas de câble de mise à la terre. Vérifiez toujours si l'alimentation mentionnée sur la plaque signalétique de l'outil correspond bien à la tension présente sur le lieu.

- ◆ Si le câble d'alimentation est endommagé, il doit être remplacé par le fabricant ou par un centre de réparation agréé BLACK+DECKER pour éviter tout risque.

Caractéristiques

Cet outil présente la totalité ou une partie des caractéristiques suivantes.

1. Sélecteur de vitesse (KS701E et KS701PE) ou bouton marche/arrêt (KS501)
2. Bouton de verrouillage
3. Levier de blocage de lame
4. Semelle
5. Sortie de refoulement de poussière (KS701E et KS701PE uniquement)
6. Sélecteur de balancier (KS701PE uniquement)

Assemblage

Attention ! Avant d'exécuter ce qui suit, assurez-vous que l'outil est éteint et débranché et que la lame n'est pas en mouvement. Les lames, après utilisation, peuvent être chaudes.

Mise en place de la lame

(figure A - KS701E et KS701PE)

- ◆ Maintenez la lame (7) comme indiqué, avec les dents orientées vers l'avant.
- ◆ Poussez le levier de verrouillage (3) à l'écart de la semelle (4).
- ◆ Insérez la tige de la lame dans le support de lame (8) le plus loin possible.
- ◆ Ajustez le rouleau du support de lame (17), comme décrit ci-dessus.
- ◆ Dégagez le levier de verrouillage (3).

Mise en place de la lame (figure A - KS501)

- ◆ Avant d'installer ou de retirer la lame de scie (7), le rouleau du support de lame (17) doit être ajusté vers l'arrière pour ne pas toucher la lame.
- ◆ Desserrez (sans retirer) les deux vis. (18).
- ◆ Maintenez la lame (7) avec les dents orientées vers l'avant.
- ◆ Insérez la tige de la lame (7) dans le support de lame (8) le plus loin possible.
- ◆ Serrez légèrement les deux vis (18) en alternance pour installer la lame, puis serrez complètement les deux vis (18).
- ◆ Ajustez le rouleau du support de lame (17), comme décrit ci-dessus.
- ◆ Pour retirer la lame (7), tournez les deux vis (18) d'un tour dans le sens contraire des aiguilles d'une montre.

Raccordement d'un aspirateur à l'outil (figure B - KS701E et KS701PE uniquement)

- ◆ Insérez le tuyau (9) de l'aspirateur dans la sortie de refoulement de poussière (5).

Risques résiduels

L'utilisation d'un outil non mentionné dans les consignes de sécurité données peut entraîner des risques résiduels supplémentaires. Ces risques peuvent survenir si l'outil est mal utilisé, si l'utilisation est prolongée, etc. Malgré l'application des normes de sécurité correspondantes et la présence de dispositifs de sécurité, les risques résiduels suivants ne peuvent être évités. Ceci comprend :

- ◆ Les blessures dues au contact avec une pièce mobile/en rotation.
- ◆ Les blessures causées en changeant des pièces, lames ou accessoires.
- ◆ Les blessures dues à l'utilisation prolongée d'un outil. Une utilisation prolongée de l'outil nécessite des pauses régulières.
- ◆ Déficience auditive.
- ◆ Risques pour la santé causés par l'inhalation de poussières produites pendant l'utilisation de l'outil (exemple : travail avec du bois, surtout le chêne, le hêtre et les panneaux en MDF).

Utilisation

Réglage de la semelle pour la coupe en biais (figure C)

Attention ! N'utilisez jamais l'outil sans la semelle, ou si celle-ci est desserrée.

La semelle (4) peut être installée à un angle de biseau gauche ou droit de 45°.

- ◆ Desserrez les vis (10). Certains modèles ne possèdent qu'une seule vis.
- ◆ Tirez la semelle (4) vers l'avant, tournez-la vers la droite ou vers la gauche et repoussez-la en position 45° (KS701E et KS701PE uniquement).
- ◆ Poussez la semelle (4) vers l'arrière, tournez-la vers la droite ou vers la gauche et repoussez-la en position 45° (KS501 uniquement).
- ◆ Serrez les vis.

Pour remettre la semelle (4) en position de coupe à 90° :

- ◆ Desserrez les vis (10).
- ◆ Tirez la semelle (4) vers l'avant, tournez-la vers le centre et repoussez-la en position 0°.
- ◆ Serrez les vis.

Commande de vitesse variable

(KS701E et KS701PE uniquement)

- ◆ La vitesse rapide correspond à la coupe du bois, la vitesse moyenne à la coupe de l'aluminium et du PVC et la faible vitesse à la coupe des métaux autres que l'aluminium.

Mise en marche et arrêt

- ◆ Pour mettre l'outil en marche, appuyez sur le sélecteur de vitesse (KS701E et KS701PE) ou sur le bouton marche/arrêt (KS501) (1). Sur les modèles KS701E et KS107PE, la vitesse varie en fonction de la pression que vous exercez sur le sélecteur.
- ◆ Pour un fonctionnement continu, appuyez sur le bouton de verrouillage (2) et sur le sélecteur de vitesse. Cette option n'est disponible qu'à la vitesse maximale.

- ◆ Pour arrêter l'outil, relâchez le sélecteur de vitesse. Pour arrêter l'outil quand il fonctionne en mode continu, appuyez de nouveau sur le sélecteur de vitesse ou le bouton marche/arrêt, puis relâchez-le.

Utilisation de la fonction Sightline® (figure D)

- ◆ Utilisez un crayon pour tracer la ligne de coupe.
- ◆ Positionnez la scie sur la ligne (11).

En regardant directement au-dessus de la scie, il est facile de suivre la ligne de coupe.

Mode de coupe (KS701PE uniquement)

L'action ou la course du balancier fournit un mouvement de lame plus agressif et est conçue pour couper des matériaux tendres tels que le bois ou le plastique. Elle permet une coupe plus rapide, mais moins lisse. Votre scie est équipée d'un sélecteur de balancier. Son utilisation est décrite à la section suivante.

Remarque : n'utilisez jamais l'action du balancier pour couper du métal.

Sélecteur de balancier (figure E - KS701PE uniquement)

Le modèle KS701PE possède les quatre modes de coupe suivants, avec accentuation de l'action de balancier :

- ◆ Position 0 : métal, aluminium et tôle (pas d'action de balancier).
- ◆ Position 1 : aggloméré, bois dur, plans de travail.
- ◆ Position 2 : contreplaqué et plastique/PVC.
- ◆ Position 3 : bois tendre et coupe rapide.

Pour régler l'action du balancier :

- ◆ Tournez le sélecteur de balancier (6) sur la position requise.

Scier

Tenez fermement l'outil avec les deux mains pendant la découpe.

La semelle (4) doit s'appuyer fermement contre la pièce à découper. Ceci permet d'éviter les sursauts de la scie, de réduire les vibrations et de diminuer la casse des lames.

- ◆ Laissez la lame fonctionner librement pendant quelques secondes avant de commencer la découpe.
- ◆ N'appliquez qu'une légère pression sur l'outil pendant la découpe.

Conseils pour une utilisation optimale

Coupe de contreplaqué

Les éclats dus à la découpe du contreplaqué, peuvent endommager la surface apparente. La plupart des lames coupent en montant. Si la semelle est posée sur la surface apparente, utilisez une lame qui coupe en descendant ou :

- ◆ Utilisez une lame à dents fines.
- ◆ Sciez à partir de l'arrière de la pièce.
- ◆ Pour limiter les éclats, serrez un morceau de bois ou de panneau dur des deux côtés de la pièce et sciez à travers cette épaisseur.

Coupe du métal

Attention ! N'utilisez pas un aspirateur lorsque vous coupez du métal. Les particules de métal chaudes peuvent provoquer un incendie.

N'oubliez pas que scier du métal prend beaucoup plus de temps que de scier du bois.

- ◆ Utilisez une lame adaptée à la coupe de métal.
- ◆ Pour couper une fine épaisseur de métal, serrez une pièce de bois à l'arrière de la pièce à couper et sciez à travers l'épaisseur.
- ◆ Répartissez un filet d'huile le long de la ligne de coupe.

Guide longitudinal

(KS701E et KS701PE uniquement)

Vous pouvez réaliser aisément des coupes circulaires et longitudinales sans traçage en utilisant un guide longitudinal et circulaire (disponible sous forme d'option sous la référence X43005-XJ).

Fixation du guide longitudinal (figures F & G)

- ◆ Insérez le guide longitudinal (14) dans les fentes de la semelle en orientant la partie repliée vers le bas comme illustré à la figure F.
- ◆ Placez la vis (15) dans le trou situé au bas de la semelle.
- ◆ Alignez la barre de serrage (16) au-dessus de la vis en orientant le rebord face vers le bas et vers l'arrière de la scie.
- ◆ À l'aide d'un tournevis cruciforme, insérez la vis dans le trou fileté de la barre de serrage comme illustré à la figure G.
- ◆ Réglez la largeur de coupe et serrez la vis.

Coupe circulaire

(figure H - KS701E et KS701PE uniquement)

- ◆ Insérez le guide longitudinal dans la fente sur le côté droit de la semelle en orientant la partie repliée face vers le haut.
- ◆ Réglez le guide longitudinal de façon à ce que la distance entre la lame et le trou de la partie repliée corresponde au rayon souhaité, puis serrez la vis.
- ◆ Placez la scie de manière à positionner le centre du trou de la partie repliée au-dessus du centre du cercle à couper (effectuez une coupe en plongée, percez le trou pour la lame ou coupez vers l'intérieur à partir du bord du matériau pour positionner la lame).
- ◆ Lorsque la scie est correctement positionnée, insérez un petit clou dans le trou de la partie repliée, à la position exacte du centre du cercle à couper.
- ◆ En utilisant le guide longitudinal comme bras pivot, commencez à couper le cercle.

Coupe en plongée (figure I)

La coupe en plongée constitue un moyen aisé d'effectuer une découpe intérieure. La scie peut être insérée directement dans un panneau ou une plaque sans devoir percer un trou de guidage ou un trou pilote au préalable. Pour effectuer une coupe en plongée, mesurez la surface à couper et délimitez-la clairement avec un crayon. Ensuite, inclinez la scie vers l'avant jusqu'à ce que le bord avant de la semelle repose fermement sur la surface de travail et que la lame soit dégagée de la surface

de travail sur toute sa course. Mettez l'outil sous tension et attendez qu'il atteigne la vitesse maximale. Saisissez fermement la scie et abaissez lentement son bord arrière jusqu'à ce que la lame atteigne sa profondeur complète. Maintenez la semelle à plat contre le bois et commencez la découpe. Ne retirez pas la lame de la découpe aussi longtemps qu'elle est en mouvement. Attendez qu'elle soit complètement arrêtée.

Entretien

Votre outil BLACK+DECKER a été conçu pour fonctionner pendant longtemps avec un minimum d'entretien. Un fonctionnement continu satisfaisant dépend d'un nettoyage régulier et d'un entretien approprié de l'outil.

- ◆ Nettoyez régulièrement les orifices de ventilation de votre outil à l'aide d'une brosse souple ou d'un chiffon sec.
- ◆ Nettoyez régulièrement le compartiment du moteur à l'aide d'un chiffon humide.

N'utilisez pas de nettoyant à base de solvant ou de produit abrasif.

Évitez toute pénétration de liquide à l'intérieur de l'outil et ne plongez aucune partie de celui-ci dans du liquide.

Remplacement des prises secteur (RU et Irlande uniquement)

Si une nouvelle prise secteur doit être installée :

- ◆ Mettez au rebut la vieille prise.
- ◆ Branchez le fil brun dans la borne de la nouvelle prise.
- ◆ Branchez le fil bleu à la borne neutre.

Attention ! Aucune connexion ne doit être faite à la borne de terre. Suivez les instructions de montage fournies avec les prises de bonne qualité. Fusibles recommandés : 5 A.

Protection de l'environnement



Recyclage. Cet appareil ne doit pas être jeté avec les déchets ménagers.

Si votre produit BLACK+DECKER doit être remplacé ou si vous ne l'utilisez plus, ne le jetez pas avec les ordures ménagères. Songez à la protection de l'environnement et recyclez-le.



La collecte séparée des produits et des emballages usagés permet de recycler et de réutiliser des matériaux.

La réutilisation de matériaux recyclés évite la pollution de l'environnement et réduit la demande de matières premières.

Des réglementations locales peuvent prévoir la collecte séparée des produits électriques et des produits ménagers, dans des déchetteries municipales ou par le revendeur lorsque vous achetez un nouveau produit.

BLACK+DECKER offre une solution permettant de recycler les produits BLACK+DECKER lorsqu'ils ont atteint la fin de leur cycle de vie. Pour pouvoir profiter de ce service, veuillez retourner votre produit à un réparateur agréé qui se chargera de le collecter pour nous.

Pour connaître l'adresse du réparateur agréé le plus proche de chez vous, contactez le bureau BLACK+DECKER à l'adresse indiquée dans ce manuel. Une liste des réparateurs agréés BLACK+DECKER ainsi que des informations détaillées sur notre service après-vente et nos coordonnées sont aussi disponibles sur le site Internet à l'adresse suivante : www.2helpU.com

Caractéristiques techniques

		KS501 (Type 1)	KS701E/PE (Type 1)
Tension d'entrée		V_{ac}	230
Vitesse à vide	(KS501)	min^{-1}	3,000
	(KS701E et KS701PE)	min^{-1}	0-3,000
Profondeur de coupe maximum	(KS501)	mm	65
Bois	(KS701E et KS701PE)	mm	70
		mm	5
Acier	(KS501)	mm	10
Aluminium	(KS701E et KS701PE)	mm	15
Poids	(KS501)	kg	1.3
	(KS701E)	kg	1.6
	(KS701PE)	kg	1.7

KS501

L_{pA} (pression sonore) 85.5 dB(A), incertitude (K) 3 dB(A)

L_{WA} (pression sonore) 96.5 dB(A), incertitude (K) 3 dB(A)

Valeurs totales des vibrations (somme vectorielle triaxiale)
selon la norme EN 60745 :

Coupe, planches ($a_{h,B}$) 9.3 m/s^2 , incertitude (K) 1.5 m/s^2

Coupe métal ($a_{h,M}$) 12.6 m/s^2 , incertitude (K) 1.5 m/s^2

KS701E

L_{pA} (pression sonore) 88 dB(A), incertitude (K) 3 dB(A)

L_{WA} (pression sonore) 99 dB(A), incertitude (K) 3 dB(A)

Valeurs totales des vibrations (somme vectorielle triaxiale)
selon la norme EN 60745 :

Coupe, planches ($a_{h,B}$) 5.8 m/s^2 , incertitude (K) 1.5 m/s^2

Coupe métal ($a_{h,M}$) 6.3 m/s^2 , incertitude (K) 1.5 m/s^2

KS701PE

L_{pA} (pression sonore) 89 dB(A), incertitude (K) 3 dB(A)

L_{WA} (pression sonore) 100 dB(A), incertitude (K) 3 dB(A)

Valeurs totales des vibrations (somme vectorielle triaxiale)
selon la norme EN 60745 :

Coupe, planches ($a_{h,B}$) 12.5 m/s^2 , incertitude (K) 1.5 m/s^2

Coupe métal ($a_{h,M}$) 9.9 m/s^2 , incertitude (K) 1.5 m/s^2

Déclaration de conformité CE

CONSIGNES DE MACHINERIE



KS501 / KS701E / KS701PE

Black & Decker confirme que les produits décrits dans les « Caractéristiques techniques » sont conformes aux normes : 2006/42/CE, EN 60745-1, EN 60745-2-11

Ces produits sont conformes aux normes 2014/30/UE et 2011/65/UE. Pour plus de détails, veuillez contacter Black & Decker à l'adresse suivante ou reportez-vous au dos du manuel.

Le soussigné est responsable des données de la fiche technique et fait cette déclaration au nom de Black & Decker.

Ray Laverick
Responsable technique
Black & Decker Europe, 210 Bath Road, Slough,
Berkshire, SL1 34D,
Royaume-Uni
11/09/2014

Garantie

Black & Decker assure la qualité de ses produits et vous offre une garantie très élargie. Ce certificat de garantie est un document supplémentaire et ne peut en aucun cas se substituer à vos droits légaux. La garantie est valable sur tout le territoire des États Membres de l'Union Européenne et de la Zone de Libre Échange Européenne.

Si votre produit Black & Decker s'avère défectueux en raison de matériaux en mauvaises conditions ou d'une erreur humaine dans les 24 mois suivant la date d'achat, Black & Decker garantit le remplacement des pièces défectueuses, la réparation des produits usés ou cassés ou remplace ces produits en minimisant les inconvénients pour le client, sauf dans les circonstances suivantes :

- ◆ Le produit a été utilisé dans un but commercial, professionnel, ou a été loué.
- ◆ Le produit a été mal utilisé ou utilisé avec négligence.
- ◆ Le produit a subi des dommages à cause de corps étrangers, de substances ou d'accidents.
- ◆ Des réparations ont été tentées par des techniciens non agréés ou ne faisant pas partie du service technique de Black & Decker.

Pour avoir recours à la garantie, il est nécessaire de fournir une preuve d'achat au vendeur ou au réparateur agréé.

Pour connaître l'adresse du réparateur agréé le plus proche de chez vous, contactez le bureau Black & Decker à l'adresse indiquée dans ce manuel. Une liste des réparateurs agréés Black & Decker ainsi que des informations détaillées sur notre service après-vente et nos coordonnées sont aussi disponibles sur le site Internet à l'adresse suivante : www.2helpU.com

Visitez notre site Web www.blackanddecker.fr pour enregistrer votre nouveau produit BLACK+DECKER et être informé des nouveaux produits et des offres spéciales. Pour plus d'informations concernant la marque BLACK+DECKER et notre gamme de produits, visitez notre site www.blackanddecker.eu.

Uso previsto

Il seghetto alternativo BLACK+DECKER è stato progettato per segare legno, plastica e metallo. L'elettrotensile è stato progettato solo per uso privato.

Istruzioni di sicurezza

Avvisi di sicurezza generici per gli elettrotensili



Avvertenza! Leggere tutti gli avvisi di sicurezza e tutte le istruzioni. La mancata osservanza dei presenti avvisi e istruzioni potrebbe causare scosse elettriche, incendi e/o infortuni gravi.

Conservare tutte le istruzioni e le avvertenze per futura consultazione. Il termine "elettrotensile" che ricorre in tutti gli avvisi seguenti si riferisce ad utensili elettrici con o senza filo.

1. Sicurezza nella zona di lavoro

- Mantenere pulita e ben illuminata la zona di lavoro.**
Disordine o scarsa illuminazione possono causare incidenti.
- Evitare d'impiegare gli elettrotensili in ambienti esposti al rischio di esplosione, ad esempio in presenza di liquidi, gas o polveri infiammabili.**
Gli elettrotensili producono scintille che possono far infiammare la polvere o i fumi.
- Mantenere lontani bambini e osservatori mentre si usa l'elettrotensile.** Eventuali distrazioni possono comportare la perdita del controllo dell'elettrotensile.

2. Sicurezza elettrica

- Le spine elettriche degli elettrotensili devono essere adatte alla presa. Evitare assolutamente di modificare la spina elettrica. Non impiegare spine adattatrici con elettrotensili provvisti di messa a terra.** L'uso di spine inalterate e delle prese corrispondenti riduce il rischio di scosse elettriche.
- Evitare il contatto fisico con superfici collegate a terra, come tubi, radiatori, forni e frigoriferi.** Un corpo collegato a terra è esposto maggiormente al rischio di scosse elettriche.
- Custodire gli elettrotensili al riparo dalla pioggia o dall'umidità.** L'eventuale infiltrazione di acqua in un elettrotensile aumenta il rischio di scosse elettriche.
- Non utilizzare il cavo in modo improprio. Non usare il cavo per trasportare o trainare l'elettrotensile e non tirarlo per estrarre la spina dalla presa di corrente. Mantenere il cavo al riparo da calore, olio, bordi taglienti e/o da parti in movimento.** I cavi danneggiati o aggrovigliati aumentano il rischio di scosse elettriche.
- Se l'elettrotensile viene adoperato all'aperto, usare esclusivamente prolunghe omologate per l'impiego all'esterno.** Un cavo adatto per uso esterno riduce il rischio di scosse elettriche.
- Se non è possibile evitare di lavorare in una zona umida, usare un'alimentazione elettrica protetta da un dispositivo a corrente residua (RCD).** L'uso di un dispositivo RCD riduce il rischio di scosse elettriche.

3. Sicurezza delle persone

- È importante concentrarsi su ciò che si sta facendo e maneggiare con giudizio l'elettrotensile.**
Non adoperare l'elettrotensile se si è stanchi o sotto l'effetto di stupefacenti, alcol o medicinali. Un attimo di distrazione può causare gravi infortuni personali.
 - Utilizzare un equipaggiamento di protezione personale. Indossare sempre degli occhiali di sicurezza.** Se si avrà cura d'indossare l'equipaggiamento protettivo necessario, ad esempio una maschera antipolvere, delle calzature antiscivolo, un casco o delle otoprotezioni, si ridurrà il rischio di infortuni.
 - Impedire l'avviamento involontario. Accertarsi che l'interruttore di accensione sia regolato su spento prima di collegare l'elettrotensile all'alimentazione elettrica e/o al battery pack, di prenderlo in mano o di trasportarlo.** Per non esporsi al rischio di incidenti, non trasportare gli elettrotensili tenendo le dita sull'interruttore oppure, se sono collegati a un'alimentazione elettrica, con l'interruttore acceso.
 - Prima di accendere un elettrotensile, togliere eventuali chiavi o attrezzi di regolazione.** Un utensile o una chiave lasciati in un componente mobile dell'elettrotensile possono causare lesioni.
 - Non piegarsi eccessivamente in avanti. Mantenere sempre un buon equilibrio evitando posizioni instabili.** In questo modo è possibile controllare meglio l'elettrotensile in situazioni inaspettate.
 - Vestirsi adeguatamente. Evitare di indossare indumenti larghi o gioielli. Tenere capelli, capi di vestiario e guanti lontani da parti in movimento.** Capi di vestiario larghi, gioielli o capelli lunghi potrebbero impigliarsi nei componenti in movimento.
 - Se gli elettrotensili sono provvisti di attacchi per il collegamento di dispositivi di aspirazione o di raccolta della polvere, assicurarsi che questi siano installati e utilizzati correttamente.** L'impiego di dispositivi di raccolta della polvere diminuisce i rischi relativi alle polveri.
- #### 4. Uso e cura degli elettrotensili
- Non sovraccaricare l'elettrotensile. Usare l'elettrotensile adatto al lavoro da eseguire.** Utilizzando l'elettrotensile adatto si potrà lavorare meglio e con maggiore sicurezza alla potenza nominale prevista.
 - Non utilizzare elettrotensili con interruttori per l'accensione/spegnimento difettosi.** Un elettrotensile che non può essere controllato mediante l'interruttore è pericoloso e deve essere riparato.
 - Scollegare la spina dalla presa di corrente e/o il battery pack dall'elettrotensile prima di regolarlo, di sostituire gli accessori o di riporlo.** Queste precauzioni di sicurezza riducono la possibilità che l'elettrotensile sia messo in funzione inavvertitamente.
 - Quando non sono usati, gli elettrotensili devono essere custoditi fuori della portata dei bambini. Non consentire l'uso dell'elettrotensile a persone inesperte o che non abbiano letto le presenti istruzioni.** Gli elettrotensili risultano pericolosi se usati da persone inesperte.

- e. **Sottoporre gli elettroattrezzi alle necessarie procedure di manutenzione. Verificare che le parti mobili siano bene allineate e non inceppate, che non vi siano componenti rotti e che non sussistano altre condizioni che possono compromettere il funzionamento dell'elettroattrezzo. In caso di danni, riparare l'elettroattrezzo prima dell'uso.** La scarsa manutenzione causa molti incidenti.
- f. **Mantenere affilati e puliti gli utensili da taglio.**
Se sottoposti alla giusta manutenzione, gli strumenti da taglio con taglienti affilati s'inceppano meno frequentemente e sono più facili da manovrare.
- g. **Utilizzare l'elettroattrezzo, gli accessori e le punte in conformità delle presenti istruzioni, tenendo conto delle condizioni di lavoro e del lavoro da completare.** L'impiego dell'elettroattrezzo per usi diversi da quelli consentiti può dar luogo a situazioni pericolose.

5. Riparazioni

- a. **Fare riparare l'elettroattrezzo solo ed esclusivamente da personale specializzato e solo impiegando pezzi di ricambio originali.** In tal modo si evita di compromettere la sicurezza dell'elettroattrezzo.

Altri avvisi di sicurezza per gli elettroattrezzi



Avvertenza! Istruzioni di sicurezza per tutte le seghe

- ◆ **Tenere l'elettroattrezzo afferrando le impugnature isolate se vi è la possibilità che l'accessorio di taglio possa venire a contatto con cavi nascosti o con il filo di alimentazione.** Il contatto tra l'accessorio di taglio e un filo sotto tensione mette sotto tensione le parti metalliche esposte dell'elettroattrezzo e potrebbe esporre l'operatore a scosse elettriche.
- ◆ **Usare morsetti o altri metodi pratici per sorreggere e fissare il pezzo in lavorazione su una base stabile.** Un pezzo tenuto in mano o contro il corpo può diventare poco stabile e causare la perdita di controllo.
- ◆ **Tenere le mani lontane dalla zona di taglio.** Non allungare mai le mani sotto il pezzo. Non infilare le dita o il pollice in prossimità della lama alternativa e del blocco lama. Non stabilizzare la sega afferrando la guida.
- ◆ **Tenere affilate le lame.** Lama spuntate o danneggiate possono causare la deviazione o lo spegnimento della sega sotto sforzo. Usare sempre il corretto tipo di lama per il materiale da tagliare.
- ◆ **Quando si taglia un tubo o una conduttura, accertarsi sempre che al loro interno non vi siano acqua o fili elettrici.**
- ◆ **Non toccare il pezzo o la lama subito dopo aver fatto funzionare l'elettroattrezzo.** Potrebbero essere molto caldi.
- ◆ **Essere consapevoli dei pericoli nascosti: prima di praticare tagli in pareti, pavimenti o soffitti, controllare l'ubicazione di cablaggi e tubazioni.**
- ◆ **La lama continua a muoversi dopo aver rilasciato l'interruttore.** Spegnerne sempre l'elettroattrezzo e attendere che la lama si fermi completamente prima di posarlo.

Avvertenza! Il contatto o l'inalazione della polvere generata dal taglio potrebbe nuocere alla salute dell'operatore e di eventuali astanti. Indossare una mascherina antipolvere specifica per polveri e fumi e controllare che anche le persone presenti o in arrivo nella zona di lavoro siano adeguatamente protette.

- ◆ L'uso previsto è descritto nel presente manuale. Se questo elettroattrezzo viene impiegato con accessori o per usi diversi da quelli raccomandati nel presente manuale, potrebbero verificarsi lesioni personali e/o danni alle cose.

Sicurezza altrui

- ◆ Questo elettroattrezzo non è stato progettato per impiego da parte di persone (o bambini) portatrici di handicap fisici, psichici o sensoriali o che non abbiano la dovuta esperienza o conoscenza, a meno che non siano seguite o opportunamente istruite sul suo impiego da parte di una persona responsabile della loro sicurezza.
- ◆ Controllare che i bambini non giochino con l'elettroattrezzo.

Vibrazioni

I valori dichiarati delle emissioni di vibrazioni al paragrafo Dati tecnici e nella Dichiarazione di conformità del presente manuale sono stati misurati in base al metodo di test standard previsto dalla normativa EN 60745 e possono essere usati come parametri di confronto tra due utensili. Il valore delle emissioni di vibrazioni dichiarato può anche essere usato come valutazione preliminare dell'esposizione.

Avvertenza! Il valore delle emissioni di vibrazioni durante l'impiego effettivo dell'elettroattrezzo può variare da quello dichiarato a seconda delle modalità d'uso. Il livello delle vibrazioni può aumentare oltre quello dichiarato.

Quando si valuta l'esposizione alle vibrazioni per determinare le misure di sicurezza richieste dalla normativa 2002/44/CE per la protezione delle persone che usano regolarmente gli elettroattrezzi nello svolgimento delle proprie mansioni, è necessario prendere in considerazione le condizioni effettive di utilizzo e il modo in cui l'utensile è usato, oltre a tenere conto di tutte le componenti del ciclo operativo, come i periodi in cui l'elettroattrezzo è spento, quelli in cui è acceso ma a riposo e quelli in cui è effettivamente utilizzato.

Etichette sull'elettroattrezzo

Sull'elettroattrezzo appaiono i seguenti simboli:



Avvertenza! Per ridurre il rischio di infortuni, l'utente deve leggere il manuale d'uso.

Sicurezza elettrica



Il doppio isolamento di cui è provvisto l'elettroattrezzo rende superfluo il filo di terra. Controllare sempre che l'alimentazione corrisponda alla tensione indicata sulla targhetta dei dati tecnici.

- ◆ In caso di danneggiamento del filo di alimentazione è necessario farlo riparare dal fabbricante o presso un centro assistenza BLACK+DECKER autorizzato in modo da evitare eventuali pericoli.

Caratteristiche

Questo elettrotensile presenta alcune o tutte le seguenti caratteristiche.

1. Interruttore a velocità variabile (KS701E e KS701PE) o interruttore di accensione (KS501).
2. Pulsante di bloccaggio
3. Leva di bloccaggio lama seghetto
4. Piedino scorrimento lama
5. Bocchetta di estrazione della polvere (solo KS701E e KS701PE)
6. Selettore corsa a pendolo (solo KS701PE)

Montaggio

Avvertenza! Prima di tentare una delle seguenti operazioni, verificare che l'elettrotensile sia spento e scollegato dalla presa elettrica e che la lama sia ferma. Le lame della sega usate possono essere calde.

Montaggio della lama del seghetto (fig. A - KS701E e KS701PE)

- ◆ Tenere la lama del seghetto (7) come illustrato con i denti rivolti in avanti.
- ◆ Spingere la leva di bloccaggio (3) verso l'esterno allontanandola dal piedino (4).
- ◆ Infilare completamente il gambo della lama del seghetto nel portalama (8).
- ◆ Regolare il rullo di supporto della lama del seghetto (17) come descritto qui sopra.
- ◆ Rilasciare la leva di bloccaggio (3).

Montaggio della lama della sega (fig. A - KS501)

- ◆ Prima di montare o smontare la lama del seghetto (7) è necessario spostare verso il retro il rullo di supporto della lama (17) in modo che non tocchi la lama.
- ◆ Allentare (ma non estrarre) le due viti (18).
- ◆ Tenere la lama del seghetto (7) con i denti rivolti in avanti.
- ◆ Infilare completamente il gambo della lama del seghetto (7) nel portalama (8).
- ◆ Avvitare leggermente le due viti (18) in modo alterno per posizionare la lama e quindi serrarle del tutto.
- ◆ Regolare il rullo di supporto della lama del seghetto (17) come descritto qui sopra.
- ◆ Per staccare la lama del seghetto (7), svitare entrambe le viti (18) di un giro in senso antiorario.

Collegare un aspirapolvere all'elettrotensile (fig. B - KS701E e KS701PE)

- ◆ Infilare il beccuccio dell'aspirapolvere (9) nella bocchetta di estrazione della polvere (5).

Rischi residui

L'utilizzo dell'elettrotensile può comportare altri rischi non indicati nel presente manuale. Tali rischi possono sorgere a seguito di un uso prolungato o improprio, ecc. Perfino adottando gli appositi regolamenti di sicurezza e utilizzando i dispositivi di sicurezza certi rischi residui non possono essere evitati. Essi comprendono:

- ◆ Lesioni causate o subite a seguito del contatto con parti rotanti/in movimento.
- ◆ Lesioni causate o subite durante la sostituzione di parti, lame o accessori.
- ◆ Lesioni causate dall'impiego prolungato di un elettrotensile. Quando si usa qualsiasi elettrotensile per lunghi periodi, accertarsi di fare regolarmente delle pause.
- ◆ Problemi di udito.
- ◆ Rischi per la salute causati dall'aspirazione di polvere generata dall'utilizzo dell'elettrotensile (ad esempio quando si lavora con il legno, in modo particolare quello di quercia, faggio o l'MDF.)

Utilizzo

Regolazione del piedino scorrimento lama per eseguire tagli a unghia (fig. C)

Avvertenza! Non usare mai l'elettrotensile quando il piedino scorrimento lama è allentato o è stato rimosso.

Il piedino scorrimento lama (4) può essere regolato per il taglio a unghia a 45° verso destra o verso sinistra.

- ◆ Allentare le viti. (10) Alcuni modelli hanno una vite sola.
- ◆ Tirare in avanti il piedino scorrimento lama (4), ruotarlo verso sinistra o verso destra e spingerlo indietro nella posizione dei 45° (solo KS701E e KS701PE).
- ◆ Spingere indietro il piedino (4), ruotarlo verso destra e tirarlo indietro nella posizione dei 45° (solo KS501)
- ◆ Serrare le viti.

Per riportare il piedino scorrimento lama (4) in posizione per i tagli a 90°:

- ◆ Allentare le viti. (10).
- ◆ Tirare in avanti il piedino scorrimento lama (4), ruotarlo verso il centro e quindi spingerlo indietro nella posizione degli 0°.
- ◆ Serrare le viti.

Comando velocità variabile (solo KS701E e KS701PE)

- ◆ Usare una velocità alta per il legno, media per l'alluminio e il PVC e bassa per i metalli diversi dall'alluminio.

Accensione e spegnimento

- ◆ Per accendere l'elettrotensile, premere l'interruttore a velocità variabile (KS701E e KS701PE) o l'interruttore di accensione (KS501) (1). Nei modelli KS701E e KS107PE la velocità di funzionamento dipende dal grado di pressione esercitata sull'interruttore.
- ◆ Per il funzionamento continuo, premere il pulsante di bloccaggio (2) e quindi l'interruttore a velocità variabile. Questa opzione è disponibile solo alla velocità massima.
- ◆ Per spegnere l'elettrotensile, rilasciare l'interruttore a velocità variabile. Per spegnere l'elettrotensile

durante il funzionamento continuo, premere ancora una volta l'interruttore a velocità variabile o l'interruttore di accensione e rilasciarlo.

Come utilizzare la funzione Sightline® (fig. D)

- ◆ Usare una matita per segnare la traccia del taglio.
- ◆ Posizionare il seghetto alternativo sopra tale traccia (11). Guardando direttamente da sopra al seghetto, è possibile seguire facilmente la linea del taglio.

Modalità di taglio (solo KS701PE)

Il movimento a pendolo rende l'azione della lama più incisiva ed è concepito per tagliare materiali morbidi come legno e plastica. Il taglio risulta più veloce, anche se meno uniforme. Questo seghetto alternativo è provvisto di un selettore per la corsa a pendolo. L'uso del selettore è spiegato nella sezione seguente.
Nota: non utilizzare mai il movimento a pendolo per tagliare il metallo.

Selettore corsa a pendolo (fig. E - solo KS701PE)

Il modello KS701PE ha le quattro modalità di taglio seguenti, ciascuna delle quali imprime al movimento a pendolo una diversa intensità:

- ◆ Posizione 0: metallo, alluminio e lamiera (nessun movimento a pendolo).
- ◆ Posizione 1: laminati, legno duro, piani di lavoro.
- ◆ Posizione 2: compensato e PVC/plastica.
- ◆ Posizione 3: legno dolce e taglio rapido.

Per regolare l'intensità del movimento a pendolo:

- ◆ Ruotare il selettore della corsa a pendolo (6) sulla posizione desiderata.

Operazione di taglio

Tenere saldamente l'elettrotensile con entrambe le mani durante il taglio.

Il piedino scorrimento lama (4) deve poggiare saldamente contro il materiale da tagliare. In questo modo si impedisce al seghetto di saltare, si riducono le vibrazioni e anche i casi di rottura della lama.

- ◆ Prima di iniziare a tagliare, lasciare che la lama ruoti liberamente per alcuni secondi.
- ◆ Esercitare solo una leggera pressione sull'elettrotensile mentre si esegue il taglio.

Consigli per un utilizzo ottimale

Taglio di laminati

Quando si tagliano laminati è possibile che si scheggino i bordi, rovinando la superficie che rimarrà a vista. Le lame più comuni praticano il taglio durante la corsa verso l'alto; quindi, se il piedino scorrimento lama poggia sulla superficie che rimarrà a vista, si consiglia di usare una lama che tagli durante la corsa verso il basso oppure di:

- ◆ Usare una lama da seghetto con denti sottili.
- ◆ Segare dalla parte posteriore del pezzo da lavorare.
- ◆ Per contenere al massimo la scheggiatura, fissare con un morsetto un pezzo di legno o di cartone da ambo i lati del pezzo da lavorare e segare i tre strati insieme.

Taglio di metallo

Avvertenza! Non utilizzare un aspirapolvere quando si taglia il metallo, in quanto la limatura di metallo può essere calda e provocare un incendio.

Si tenga presente che segare il metallo richiede molto più tempo che segare il legno.

- ◆ Usare una lama idonea a segare il metallo.
- ◆ Quando si taglia un foglio di lamiera sottile, fissare con dei morsetti un pezzo di legno alla superficie posteriore del pezzo da lavorare e tagliare i due strati insieme.
- ◆ Spalmare un velo d'olio lungo la traccia del taglio.

Arresto parallelo (solo KS701E e KS701PE)

Il taglio secondo la fibra e il taglio circolare senza una riga a matita possono essere eseguiti facilmente con un arresto parallelo e guida circolare (disponibile come accessorio opzionale, numero di parte X43005-XJ).

Attacco dell'arresto parallelo (figg. F e G)

- ◆ Inserire l'arresto parallelo (14) nel piedino scorrimento lama con la barra trasversale rivolta verso il basso come mostrato nella figura F.
- ◆ Inserire la vite (15) nel foro nella parte inferiore del piedino scorrimento lama.
- ◆ Allineare la barra di attacco (16) alla vite con l'estremità ricurva rivolta verso il basso e verso la parte posteriore del seghetto.
- ◆ Con un cacciavite a stella, guidare la vite nel foro filettato sulla barra di attacco, come mostrato nella figura G.
- ◆ Regolare in base all'ampiezza del taglio e serrare la vite.

Taglio circolare (fig. H - solo KS701E e KS701PE)

- ◆ Inserire l'arresto parallelo nella feritoia sulla destra del piedino scorrimento lama con la barra trasversale rivolta verso l'alto.
- ◆ Regolare l'arresto parallelo in modo che la distanza dalla lama al foro nella barra trasversale corrisponda al raggio desiderato e serrare la vite.
- ◆ Posizionare il seghetto in modo che il foro della barra trasversale risulti sopra al centro del cerchio da tagliare (per portare la lama in posizione effettuare un taglio "a tuffo", praticare un foro con il trapano per inserirvi la lama o tagliare verso l'interno dal bordo del materiale).
- ◆ Quando il seghetto è posizionato correttamente, introdurre un piccolo chiodo nel foro della barra trasversale portandolo al centro esatto del cerchio da tagliare.
- ◆ Utilizzando l'arresto parallelo come perno, iniziare a tagliare il cerchio.

Taglio a tuffo (fig. I)

Il taglio a tuffo è un facile metodo per ottenere un intaglio interno. La lama del seghetto può essere inserita direttamente in un pannello o in una lastra senza prima praticare un foro pilota. Durante il taglio a tuffo, misurare la superficie da tagliare e segnarla chiaramente con una matita. Quindi, portare il seghetto in avanti finché la parte anteriore del piedino scorrimento lama poggia saldamente sulla superficie di lavoro e della lama penetri nel materiale per la sua intera lunghezza.

Accendere l'elettrotensile e portarlo alla velocità massima. Afferrare saldamente il seghetto e abbassare lentamente l'estremità posteriore dello strumento finché la lama raggiunga la sua profondità massima. Tenere il piedino scorrimento lama piatto contro il legno e cominciare a tagliare. Non rimuovere la lama dal taglio mentre è ancora in movimento. La lama deve essere completamente ferma.

Manutenzione

Questo elettrotensile BLACK+DECKER è stato progettato per funzionare a lungo con una manutenzione minima. Per ottenere prestazioni sempre soddisfacenti occorre avere cura dell'elettrotensile e sottoporlo a pulizia periodica.

- ◆ Le prese di ventilazione dell'elettrotensile devono essere pulite regolarmente con un pennello morbido o un panno asciutto.
- ◆ Pulire regolarmente l'alloggiamento del motore utilizzando un panno umido.
Non usare detersivi abrasivi o contenenti solventi. Evitare la penetrazione di liquidi all'interno dell'elettrotensile e non immergere mai nessuna parte dello stesso in sostanze liquide.

Sostituzione della spina (solo Regno Unito e Irlanda)

Se è necessario montare una nuova spina:

- ◆ Smtalire in sicurezza quella vecchia.
- ◆ Collegare il filo marrone al morsetto sotto tensione della nuova spina.
- ◆ Collegare il filo blu al morsetto neutro.

Avvertenza! Non effettuare nessun collegamento sul morsetto di terra. Seguire le istruzioni fornite con spine di buona qualità. Fusibile consigliato: 5 A.

Protezione dell'ambiente



Raccolta differenziata. Questo prodotto non deve essere smaltito con i normali rifiuti domestici.

Nel caso in cui l'elettrodomestico BLACK+DECKER debba essere sostituito o non sia più necessario, non smaltirlo con i normali rifiuti domestici. Metterlo da parte per la raccolta differenziata.



La raccolta differenziata dei prodotti e degli imballaggi utilizzati consente il riciclaggio dei materiali e il loro continuo utilizzo.

Il riutilizzo dei materiali riciclati favorisce la protezione dell'ambiente prevenendo l'inquinamento e riduce il fabbisogno di materie prime.

Seguire le normative locali per la raccolta differenziata dei prodotti elettrici, che possono prevedere punti di raccolta o la consegna dell'elettrodomestico al rivenditore presso il quale viene acquistato un nuovo prodotto.

BLACK+DECKER offre ai propri clienti la possibilità di riciclare i prodotti BLACK+DECKER che hanno esaurito la loro vita di

servizio. Per usufruire di tale servizio, è sufficiente restituire il prodotto a qualsiasi tecnico autorizzato, incaricato della raccolta per conto dell'azienda.

Per individuare il tecnico autorizzato più vicino, rivolgersi alla sede BLACK+DECKER locale, presso il recapito indicato nel presente manuale. Altrimenti, un elenco completo di tutti i tecnici autorizzati BLACK+DECKER e i dettagli completi sui contatti e i servizi post-vendita sono disponibili su Internet all'indirizzo: www.2helpU.com

Dati tecnici

		KS501 (Tipo 1)	
		KS701E/PE (Tipo 1)	
Tensione in ingresso		V_{ac}	230
Regime a vuoto	(KS501)	min^{-1}	3.000
	(KS701E e KS701PE)	min^{-1}	0-3.000
Profondità max.			
del taglio	(KS501)	mm	65
Legno	(KS701E e KS701PE)	mm	70
		mm	5
Acciaio	(KS501)	mm	10
Alluminio	(KS701E e KS701PE)	mm	15
Peso	(KS501)	kg	1.3
	(KS701E)	kg	1.6
	(KS701PE)	kg	1.7

KS501

L_{pA} (pressione sonora) 85.5 dB(A), incertezza (K) 3 dB(A)

L_{WA} (pressione acustica) 96.5 dB(A), incertezza (K) 3 dB(A)

Valori totali vibrazioni (somma vettoriale triassiale) in base a EN 60745:

Taglio di assi ($a_{h,B}$) 9.3 m/s^2 , incertezza (K) 1.5 m/s^2

Taglio di lamiere ($a_{h,M}$) 12.6 m/s^2 , incertezza (K) 1.5 m/s^2

KS701E

L_{pA} (pressione sonora) 88 dB(A), incertezza (K) 3 dB(A)

L_{WA} (pressione acustica) 99 dB(A), incertezza (K) 3 dB(A)

Valori totali vibrazioni (somma vettoriale triassiale) in base a EN 60745:

Taglio di assi ($a_{h,B}$) 5.8 m/s^2 , incertezza (K) 1.5 m/s^2

Taglio di lamiere ($a_{h,M}$) 6.3 m/s^2 , incertezza (K) 1.5 m/s^2

KS701PE

L_{pA} (pressione sonora) 89 dB(A), incertezza (K) 3 dB(A)

L_{WA} (pressione acustica) 100 dB(A), incertezza (K) 3 dB(A)

Valori totali vibrazioni (somma vettoriale triassiale) in base a EN 60745:

Taglio di assi ($a_{h,B}$) 12.5 m/s^2 , incertezza (K) 1.5 m/s^2

Taglio di lamiere ($a_{h,M}$) 9.9 m/s^2 , incertezza (K) 1.5 m/s^2

Dichiarazione di conformità CE

DIRETTIVA SUI MACCHINARI



KS501 / KS701E / KS701PE

Black & Decker dichiara che i prodotti descritti al paragrafo "Dati tecnici" sono conformi alle seguenti normative: 2006/42/CE, EN 60745-1, EN 60745-2-11

Questi prodotti sono anche conformi alle direttive 2014/30/UE e 2011/65/UE. Per ulteriori informazioni contattare Black & Decker al seguente indirizzo oppure consultare l'ultima di copertina del manuale.

Il sottoscritto è responsabile della redazione di questo documento tecnico ed effettua questa dichiarazione per conto di Black & Decker.

Ray Laverick
Engineering Manager
Black & Decker Europe, 210 Bath Road, Slough,
Berkshire, SL1 34D,
Regno Unito
11/09/2014

Garanzia

Certa della qualità dei suoi prodotti, Black & Decker offre una garanzia eccezionale. Il presente certificato di garanzia è complementare ai diritti legali e non li pregiudica in alcun modo. La garanzia è valida entro il territorio degli Stati membri dell'Unione Europea e dell'EFTA (European Free Trade Area).

Se un prodotto Black & Decker risulta difettoso per qualità del materiale, della costruzione o per mancata conformità entro 24 mesi dalla data di acquisto, Black & Decker garantisce la sostituzione delle parti difettose, provvede alla riparazione dei prodotti se ragionevolmente usurati oppure alla loro sostituzione, in modo da ridurre al minimo il disagio del cliente, purché:

- ◆ il prodotto non sia stato destinato ad usi commerciali, professionali o al noleggio;
- ◆ il prodotto non sia stato usato in modo improprio o scorretto;
- ◆ il prodotto non abbia subito danni causati da oggetti o sostanze estranee oppure incidenti;
- ◆ il prodotto non abbia subito tentativi di riparazione non effettuati da tecnici autorizzati né dall'assistenza Black & Decker.

Per attivare la garanzia è necessario esibire la prova di acquisto al venditore o al tecnico autorizzato. Per individuare il tecnico autorizzato più vicino, rivolgersi alla sede Black & Decker locale, presso il recapito indicato nel presente manuale. Altrimenti, un elenco completo di tutti i tecnici autorizzati Black & Decker e i dettagli completi sui contatti e i servizi post-vendita sono disponibili su Internet all'indirizzo: www.2helpU.com

I clienti che desiderano registrare il nuovo prodotto BLACK+DECKER e ricevere gli aggiornamenti sui nuovi prodotti e le offerte speciali sono invitati a visitare il sito Web www.blackanddecker.it. Ulteriori informazioni sul marchio e la gamma di prodotti BLACK+DECKER sono disponibili all'indirizzo www.blackanddecker.eu.

Beoogd gebruik

Uw BLACK+DECKER-decoupeerzaag is ontworpen voor het zagen van hout, kunststof en metaal. Dit gereedschap is uitsluitend bestemd voor consumentengebruik.

Veiligheidsinstructies

Algemene veiligheids waarschuwingen voor elektrisch gereedschap



Waarschuwing! Lees alle veiligheids waarschuwingen en alle instructies. Wanneer de volgende waarschuwingen en voorschriften niet in acht worden genomen, kan dit een elektrische schok, brand of ernstig letsel tot gevolg hebben.

Bewaar alle waarschuwingen en instructies als referentiemateriaal. Het hierna gebruikte begrip 'elektrisch gereedschap' heeft betrekking op elektrische gereedschappen voor gebruik op de netspanning (met netsnoer) of op een accu (snoerloos).

1. Veilige werkomgeving

- a. **Houd uw werkomgeving schoon en goed verlicht.** Een rommelige of onverlichte werkruimte kan tot ongevallen leiden.
- b. **Gebruik elektrisch gereedschap niet in een omgeving met explosiegevaar, zoals in de nabijheid van brandbare vloeistoffen, gassen of stof.** Elektrisch gereedschap veroorzaakt vonken die het stof of de dampen tot ontsteking kunnen brengen.
- c. **Houd kinderen en andere personen tijdens het gebruik van elektrisch gereedschap uit de buurt.** Wanneer u wordt afgeleid, kunt u de controle over het apparaat verliezen.

2. Elektrische veiligheid

- a. **De netstekker van het gereedschap moet in het stopcontact passen. De stekker mag in geen geval worden omgebouwd. Gebruik geen adapterstekkers in combinatie met geaarde gereedschappen.** Niet-omgebouwde stekkers en passende stopcontacten beperken het risico van een elektrische schok.
- b. **Vermijd aanraking van het lichaam met geaarde oppervlakken, bijvoorbeeld buizen, verwarmingen, fornuizen en koelkasten.** Er bestaat een verhoogd risico op een elektrische schok wanneer uw lichaam geaard is.
- c. **Houd het gereedschap uit de buurt van regen en vocht.** Het binnendringen van water in het elektrische gereedschap vergroot het risico van een elektrische schok.
- d. **Gebruik het snoer niet voor een verkeerd doel. Gebruik het snoer niet om het gereedschap te dragen of op te hangen of om de stekker uit het stopcontact te trekken. Houd het snoer uit de buurt van hitte, olie, scherpe randen of bewegende delen.** Beschadigde of in de war geraakte snoeren vergroten het risico van een elektrische schok.
- e. **Wanneer u buitenshuis met elektrisch gereedschap werkt, dient u alleen verlengsnoeren te gebruiken die zijn goedgekeurd voor gebruik buitenshuis.** Het gebruik van een verlengsnoer dat geschikt is voor gebruik buitenshuis, beperkt het risico van een elektrische schok.

- f. **Als u een elektrisch gereedschap moet gebruiken in een vochtige locatie, moet u een reststroomschakelaar (RCD) gebruiken.** Met een aardlekschakelaar wordt het risico van een elektrische schok verkleind.

3. Veiligheid van personen

- a. **Wees alert, let goed op wat u doet en ga met verstand te werk bij het gebruik van elektrische gereedschappen. Gebruik elektrisch gereedschap niet wanneer u moe bent of onder invloed van drugs, alcohol of medicijnen.** Een moment van onoplettendheid bij het gebruik van het gereedschap kan leiden tot ernstige verwondingen.
- b. **Draag een persoonlijke beschermende uitrusting. Draag altijd een veiligheidsbril.** Het dragen van een persoonlijke beschermende uitrusting zoals een stofmasker, slippvaste werkschoenen, een veiligheidshelm of gehoorbescherming, afhankelijk van de aard en het gebruik van het elektrische gereedschap, vermindert het risico van verwondingen.
- c. **Voorkom per ongeluk inschakelen. Controleer of de schakelaar in de uit-stand staat voordat u het gereedschap aansluit op het stopcontact en/of de accu en voordat u het gereedschap op tilt of gaat dragen.** Wanneer u bij het dragen van het gereedschap uw vinger op de schakelaar houdt of wanneer u het gereedschap per ongeluk inschakelt, kan dat leiden tot ongevallen.
- d. **Verwijder instelgereedschappen of schroefsleutels vóórdat u het gereedschap inschakelt.** Een instelgereedschap of sleutel in een draaiend deel van het gereedschap kan leiden tot verwondingen.
- e. **Reik niet te ver. Zorg er altijd voor dat u stevig staat en in evenwicht blijft.** Daardoor kunt u het gereedschap beter onder controle houden in onverwachte situaties.
- f. **Draag geschikte kleding. Draag geen loshangende kleding of sieraden. Houd haren, kleding en handschoenen uit de buurt van bewegende delen.** Loshangende kleding, sieraden en lange haren kunnen door bewegende delen worden meegenomen.
- g. **Wanneer stofafzuigings- of stofopvangvoorzieningen kunnen worden gemonteerd, dient u zich ervan te verzekeren dat deze zijn aangesloten en juist worden gebruikt.** Het gebruik van stofopvangvoorzieningen beperkt het gevaar door stof.
4. **Gebruik en onderhoud van elektrisch gereedschap**
 - a. **Overbelast het gereedschap niet. Gebruik voor uw toepassing het daarvoor bestemde elektrische gereedschap.** Met het geschikte elektrische gereedschap werkt u beter en veiliger binnen het aangegeven capaciteitsbereik.
 - b. **Gebruik geen elektrisch gereedschap waarvan de schakelaar defect is.** Elektrisch gereedschap dat niet meer kan worden in- of uitgeschakeld, is gevaarlijk en moet worden gerepareerd.
 - c. **Trek de stekker uit het stopcontact en/of verwijder de accu uit het elektrisch gereedschap voordat u het gereedschap instelt, accessoires verwisselt of het gereedschap opbergt.** Met deze voorzorgsmaatregel voorkomt u onbedoeld starten van het gereedschap.
 - d. **Bewaar niet-gebruikte elektrische gereedschappen buiten bereik van kinderen. Laat het gereedschap niet gebruiken door personen die er niet vertrouwd mee**

- zijn en deze aanwijzingen niet hebben gelezen.** Elektrische gereedschappen zijn gevaarlijk wanneer deze worden gebruikt door onervaren personen.
- e. **Verzorg het gereedschap zorgvuldig. Controleer of bewegende delen van het gereedschap correct functioneren en niet klemmen, en of er onderdelen zodanig zijn gebroken of beschadigd dat de werking van het gereedschap nadelig wordt beïnvloed. Laat beschadigde delen repareren voordat u het gereedschap gebruikt.** Veel ongevallen worden veroorzaakt door slecht onderhouden elektrisch gereedschap.
- f. **Houd snijdende inzetgereedschappen scherp en schoon.** Zorgvuldig onderhouden snijdende inzetgereedschappen met scherpe snijkanten klemmen minder snel vast en zijn gemakkelijker te geleiden.
- g. **Gebruik elektrische gereedschappen, toebehoren, inzetgereedschappen en dergelijke volgens deze aanwijzingen. Let daarbij op de arbeidsomstandigheden en de uit te voeren werkzaamheden.** Het gebruik van elektrische gereedschappen voor andere dan de bedoelde toepassingen kan leiden tot gevaarlijke situaties.
5. **Service**
- a. **Laat het gereedschap alleen repareren door gekwalificeerd en vakkundig personeel en alleen met originele vervangingsonderdelen.** Daarmee wordt de veiligheid van het gereedschap gewaarborgd.

Aanvullende veiligheids waarschuwingen voor elektrisch gereedschap



Waarschuwing! Veiligheidsinstructies voor alle zagen

- ◆ **Houd elektrisch gereedschap altijd vast aan de geïsoleerde handgrepen wanneer er verborgen bedrading bij het zagen geraakt zou kunnen worden.** Wanneer het snijdende gedeelte contact maakt met draad die onder spanning staat, kunnen metalen delen van het elektrisch gereedschap ook onder spanning komen, waardoor de gebruiker een elektrische schok kan oplopen.
- ◆ **Gebruik klemmen of andere praktische oplossingen om het werkstuk op een stabiele ondergrond vast te zetten en te ondersteunen.** Als u het werkstuk met de hand of tegen uw lichaam vasthoudt, is het niet stabiel en kunt u de controle over het gereedschap verliezen.
- ◆ **Blijf met uw handen uit de buurt van het zaaggebied.** Steek uw handen nooit onder het werkstuk. Blijf met uw vingers en duim uit de buurt van het heen en weer bewegende blad en van de heen en weer bewegende bladkleem. Houd de zaag niet in evenwicht door de zool vast te houden.
- ◆ **Houd de zaagbladen scherp.** Door botte of beschadigde bladen kan de zaag onder druk afwijken of blijven steken. Gebruik altijd een zaagblad dat geschikt is voor het materiaal van het werkstuk en het soort zaagsnede.
- ◆ **Als u een pijp of buis gaat doorzagen, controleert u of deze geen water, elektrische bedrading, enzovoort, bevat.**
- ◆ **Raak het werkstuk of zaagblad niet aan direct na het zagen.** Deze kunnen zeer heet worden.

- ◆ **Wees bedacht op verborgen gevaren. Controleer waar zich bedrading en leidingen bevinden voordat u in muren, vloeren of plafonds zaagt.**

- ◆ **Nadat u de schakelaar hebt losgelaten blijft het blad bewegen.** Schakel het gereedschap altijd uit en wacht" with "Wacht na het uitschakelen van het gereedschap altijd tot het zaagblad volledig tot stilstand is gekomen voordat u het gereedschap neerlegt.

Waarschuwing! Contact met of inademing van het stof dat bij het zagen vrijkomt, kan de gezondheid van de gebruiker en omstanders schaden. Draag een stofmasker dat speciaal is ontworpen ter bescherming tegen stof en dampen, en zorg ervoor dat personen in de buurt van werkplek ook zijn beschermd.

- ◆ In deze instructiehandleiding wordt het beoogde gebruik beschreven. Het gebruik van andere accessoires of hulpstukken dan wel de uitvoering van andere handelingen met dit gereedschap dan in deze gebruikershandleiding worden aanbevolen, kan leiden tot persoonlijk letsel en/of schade aan eigendommen.

Veiligheid van anderen

- ◆ Dit gereedschap is niet bedoeld voor het gebruik door personen (inclusief kinderen) met een verminderde fysieke, sensorische of mentale vermogens, of met een gebrek aan ervaring en kennis, tenzij zij onder toezicht staan of instructie hebben ontvangen over het gebruik van dit gereedschap door een persoon die verantwoordelijk is voor hun veiligheid.
- ◆ Houd toezicht op kinderen om ervoor te zorgen dat zij niet met het apparaat gaan spelen.

Trilling

De aangegeven waarden voor trillingsemissie in de technische gegevens en de conformiteitsverklaring zijn gemeten conform een standaardtestmethode die door EN 60745 wordt geboden. Hiermee kan het ene gereedschap met het andere worden vergeleken. De aangegeven waarde voor trillingsemissie kan ook worden gebruikt bij een voorlopige bepaling van blootstelling.

Waarschuwing! De waarde voor trillingsemissie tijdens het werkelijke gebruik van het gereedschap kan verschillen van de aangegeven waarde afhankelijk van de manieren waarop het gereedschap wordt gebruikt. Het trillingsniveau kan hoger worden dan het aangegeven niveau.

Wanneer de blootstelling aan trillingen wordt vastgesteld teneinde veiligheidsmaatregelen te bepalen die worden vereist door 2002/44/EG ter bescherming van personen die tijdens hun werk regelmatig elektrische gereedschappen gebruiken, moet bij een schatting van de blootstelling aan trillingen rekening worden gehouden met de werkelijke omstandigheden van het gebruik en de manier waarop het gereedschap wordt gebruikt. Daarbij moet ook rekening worden gehouden met alle stappen in de gebruiksacyclus, zoals het moment waarop het gereedschap wordt uitgeschakeld en wanneer het gereedschap stationair loopt alsook de aanlooptijd.

Labels op het gereedschap

De volgende symbolen zijn op het apparaat aangegeven:



Waarschuwing! De gebruiker moet de instructiehandleiding lezen om het risico op letsel te verminderen.

Elektrische veiligheid



Dit gereedschap is dubbel geïsoleerd. Een aardaansluiting is daarom niet noodzakelijk. Controleer altijd of de netspanning overeenkomt met de waarde op het typeplaatje.

- ◆ Als het netsnoer is beschadigd, moet dit worden vervangen door de fabrikant of een BLACK+DECKER-servicecentrum, zodat gevaren worden voorkomen.

Onderdelen

Dit gereedschap kan de volgende onderdelen bevatten.

1. Schakelaar voor variabele snelheid (KS701E en KS701PE) of aan/uit-schakelaar (KS501)
2. Vergrendelingsknop
3. Vergrendelingshendel voor zaagblad
4. Zoolplaat
5. Aansluiting voor stofafzuiging (alleen KS701E en KS701PE)
6. Keuzeknop voor pendelslag (alleen KS701PE)

Montage van zaagbladen

Waarschuwing! Vóór het uitvoeren van de volgende werkzaamheden moet het gereedschap zijn uitgeschakeld, de stekker uit het stopcontact zijn getrokken, en het zaagblad tot stilstand zijn gekomen. Zaagbladen die kort tevoren in gebruik zijn geweest, kunnen heet zijn.

Het zaagblad monteren (fig. A - KS701E en KS701PE)

- ◆ Houd het zaagblad (7) vast zoals weergegeven, met de tanden naar voren.
- ◆ Druk de zoolvergrendelingshendel (3) weg van de zoolplaat (4).
- ◆ Schuif de schacht van het zaagblad zo ver mogelijk in de zaagbladhouder (8).
- ◆ Stel de steunrol (17) van het zaagblad in zoals hierboven is beschreven.
- ◆ Laat de vergrendelingshendel (3) los.

Het zaagblad monteren (fig. A - KS501)

- ◆ Voordat u het zaagblad (7) aanbrengt of verwijdert, moet de steunrol voor het zaagblad (17) in de achterste stand worden gezet zodat deze geen contact maakt met het blad.
- ◆ Draai de twee schroeven los (verwijder ze niet). (18).
- ◆ Houd het zaagblad (7) vast met de tanden naar voren.
- ◆ Schuif de schacht van het zaagblad (7) zo ver mogelijk in de zaagbladhouder (8).
- ◆ Draai de twee schroeven (18) afwisselend voorzichtig vast om het zaagblad te positioneren, en draai daarna de twee schroeven (18) geheel vast.
- ◆ Stel de steunrol (17) van het zaagblad in zoals hierboven is beschreven.
- ◆ Het zaagblad (7) kan worden verwijderd door beide schroeven (18) één slag linksom te draaien.

Een stofzuiger op het gereedschap aansluiten (fig. B - alleen KS701E en KS701PE)

- ◆ Schuif het slangmondstuk (9) in de stofafzuigopening (5).

Overige risico's

Er kunnen zich nog andere risico's voordoen bij het gebruik van dit gereedschap, die mogelijk niet in de bijgesloten veiligheids waarschuwingen zijn beschreven. Deze risico's kunnen zich voordoen als gevolg van onoordeelkundig gebruik, langdurig gebruik, enz.

Zelfs als de veiligheidsvoorschriften in acht worden genomen en de veiligheidsvoorzieningen worden geïmplementeerd, kunnen bepaalde risico's niet worden vermeden. Deze omvatten:

- ◆ Verwondingen die worden veroorzaakt door het aanraken van draaiende of bewegende onderdelen.
- ◆ Verwondingen die worden veroorzaakt bij het vervangen van onderdelen, bladen of accessoires.
- ◆ Verwondingen die worden veroorzaakt door langdurig gebruik van het gereedschap. Als u langere periodes met het gereedschap werkt, is het raadzaam om regelmatig een pauze in te lassen.
- ◆ Gehoorbeschadiging.
- ◆ Gezondheidsrisico's door het inademen van stof dat vrijkomt tijdens het gebruik van uw gereedschap (bijvoorbeeld: het werken met hout, met name eiken, beuken en MDF.)

Gebruik

Het instellen van de zoolplaat voor verstekzagen (fig. C)

Waarschuwing! Gebruik het gereedschap nooit als de zoolplaat los zit of is verwijderd.

De zoolplaat (4) kan worden ingesteld op een linker- of een rechterverstekhoek van 45°.

- ◆ Draai de schroeven los. (10) Sommige modellen hebben één schroef.
- ◆ Trek de zool (4) naar voren, draai de zool naar links of naar rechts en druk deze terug in de 45°-positie. (alleen KS701E en KS701PE).
- ◆ Druk de zool (4) terug, draai de zool naar rechts en trek deze terug in de 45°-positie. (alleen KS501).
- ◆ Draai de schroeven vast.

Het terugzetten van de zoolplaat (4) voor recht zagen (90°):

- ◆ Draai de schroeven los. (10).
- ◆ Trek de zool (4) naar voren, draai de zool naar het midden en druk deze terug in de 0°-positie.
- ◆ Draai de schroeven vast.

Instellen variabele snelheid (alleen KS701E en KS701PE)

- ◆ Gebruik een hoge snelheid voor hout, een middelmatige snelheid voor aluminium en pvc, en een lage snelheid voor overige metalen.

Aan- en uitschakelen

- ◆ Het gereedschap wordt ingeschakeld met de schakelaar voor variabele snelheid (KS701E en KS701PE) of met de aan/uit-schakelaar (KS501) (1). Bij de KS701E en KS107PE is de snelheid afhankelijk van de mate waarin de schakelaar wordt ingedrukt.

- ◆ Het gereedschap blijft continu aan als de inschakelvergrendelknop (2) samen met de schakelaar voor variabele snelheid wordt ingedrukt. Deze mogelijkheid is alleen beschikbaar bij maximale snelheid.
- ◆ Het gereedschap wordt uitgeschakeld door de schakelaar voor variabele snelheid los te laten. Het gereedschap wordt tijdens continu bedrijf uitgeschakeld door de schakelaar voor variabele snelheid of de aan/uitschakelaar opnieuw in te drukken en los te laten.

Het gebruik van de Sightline®-functie (fig. D)

- ◆ Geef de zaaglijn aan met een potlood.
- ◆ Plaats de decoupeerzaag op de lijn (11).

Vanaf de bovenzijde van de decoupeerzaag kunt u de zaaglijn eenvoudig volgen.

Snijmodus (alleen KS701PE)

De pendelslag biedt een agressievere bladbeweging en is bedoeld voor het zagen van zachte materialen als hout of kunststof. Het zagen gaat sneller, maar de zaagsnede door het materiaal is minder glad. Uw decoupeerzaag heeft een keuzeknop voor pendelslag. Het gebruik van deze keuzeknop wordt uitgelegd in het volgende hoofdstuk.

Opmerking: Gebruik de pendelslag nooit om metaal te zagen.

Keuzeknop voor pendelslag (fig. E - alleen KS701PE)

De KS701PE heeft vier zaaginstellingen met steeds een grotere pendelslag:

- ◆ Stand 0: metalen, aluminium en metaalvellen (geen pendelslag).
- ◆ Stand 1: voor laminaat, hardhout, werkbladen.
- ◆ Stand 2: voor multiplex en pvc/kunststoffen.
- ◆ Stand 3: voor zacht hout en snel zagen

Het instellen van de pendelslag:

- ◆ Draai de keuzeknop voor de pendelslag (6) naar de gewenste stand.

Zagen

Houd het gereedschap tijdens het zagen stevig met beide handen vast.

De zoolplaat (4) moet stevig tegen het te zagen materiaal worden gedrukt. Hierdoor wordt voorkomen dat de zaag wegspringt, worden trillingen voorkomen, en wordt de kans verkleind dat het zaagblad afbreekt.

- ◆ Laat het blad een paar seconden vrij bewegen voordat u begint met zagen.
- ◆ Oefen tijdens het zagen slechts lichte druk uit op het gereedschap.

Tips voor optimaal gebruik

Zagen van laminaatmateriaal

Bij het zagen van laminaat kan de zaagsnede versplinteren, waardoor het zichtoppervlak kan beschadigen. De meest gebruikte zaagbladen zagen tijdens de slag naar boven. Als de zoolplaat op het zichtoppervlak rust, moet u daarom een zaagblad gebruiken dat naar beneden zaagt, of:

- ◆ Een zaagblad met fijne vertanding gebruiken.
- ◆ Het werkstuk aan de achterkant zagen.
- ◆ U kunt het versplinteren minimaliseren door een stuk afvalhout of hardboard aan beide kanten van het werkstuk

te klemmen, waarna u door deze sandwich zaagt.

Metaal zagen

Waarschuwing! Gebruik geen stofzuiging als u metaal zaagt. De metaalspanen zijn heet en kunnen brand veroorzaken.

Let erop dat het zagen van metaal veel langer duurt dan het zagen van hout.

- ◆ Gebruik een zaagblad dat geschikt is voor het zagen van metaal.
- ◆ Voor het zagen van metaalvellen kunt u een stuk afvalhout of hardboard aan de achterkant van het werkstuk klemmen, waarna u door deze sandwich zaagt.
- ◆ Breng een dun laagje olie aan langs de zaaglijn.

Zijgeleider (alleen KS701E en KS701PE)

Het langs- en cirkelzagen zonder potloodlijn kan gemakkelijk worden uitgevoerd met een zij- en cirkelgeleider (als optie verkrijgbaar - onderdeelnummer X43005-XJ).

De zijgeleider bevestigen (fig. F en G)

- ◆ Schuif de zijgeleider (14) met het dwarsstuk naar beneden gericht in de openingen in de zoolplaat zoals aangegeven in figuur F.
- ◆ Plaats de schroef (15) in het gat in de bodem van de zoolplaat.
- ◆ Plaats de klemstrip (16) over de schroef, met het gebogen einde naar beneden en naar de achterkant van het gereedschap gericht.
- ◆ Draai de schroef met een kruiskopschroevendraaier in het schroefdraadgat in de klemstrip zoals aangegeven in figuur G.
- ◆ Stel de te zagen breedte in en draai de schroef vast.

Cirkelzagen (fig. H - alleen KS701E en KS701PE)

- ◆ Schuif de zijgeleider met het dwarsstuk naar boven gericht in de opening aan de rechterkant van de zoolplaat.
- ◆ Stel de zijgeleider zo in dat de afstand tussen het zaagblad en het gat in het dwarsstuk gelijk is aan de gewenste straal van de cirkel, en draai de schroef vast.
- ◆ Plaats het gereedschap zodanig, dat het midden van het gat in het dwarsstuk boven het middelpunt van de te zagen cirkel ligt (maak een insteekzaagsnede, boor een gat voor het zaagblad, of zaag vanaf de rand van het materiaal naar binnen om het zaagblad in de juiste positie te brengen).
- ◆ Sla, als het gereedschap juist is geplaatst, een kleine spijker door het gat in het dwarsstuk, precies in het middelpunt van de te zagen cirkel.
- ◆ Begin met het uitzagen van de cirkel en gebruik de dwarsgeleider als draaiarm.

Insteekzagen (fig. I)

Insteekzagen is een gemakkelijke manier om een zaagsnede midden in het werkstuk te maken. De zaag kan direct in een paneel of een plaat worden gestoken, zonder dat er eerst een gat voor het zaagblad geboord hoeft te worden. Geef het uit te zagen gedeelte voor insteekzagen duidelijk aan met een potlood. Kantel daarna het gereedschap voorover totdat de voorkant van de zool stevig op het werkstukoppervlak rust, en het zaagblad ruimte heeft voor een volledige slag. Schakel het gereedschap in en laat het op maximale snelheid komen. Pak het gereedschap stevig beet en laat de achterkant van het gereedschap langzaam zakken tot het zaagblad de volledige diepte heeft bereikt. Houd de zool plat op het werkstuk en begin met zagen. Haal

het zaagblad niet weg uit de zaagsnede als het nog beweegt. Het zaagblad moet volledig tot stilstand zijn gekomen.

Onderhoud

Uw BLACK+DECKER-gereedschap is ontworpen voor het gebruik gedurende een lange periode met een minimum aan onderhoud. U kunt het gereedschap naar volle tevredenheid blijven gebruiken als u voor correct onderhoud zorgt en het gereedschap regelmatig schoonmaakt.

- ◆ Maak de ventilatieopeningen van uw gereedschap regelmatig schoon met een zachte borstel of een droge doek.
 - ◆ Maak de motorbehuizing regelmatig schoon met een vochtige doek.
- Gebruik geen schuurmiddelen of reinigingsproducten met een oplosmiddel.
- Zorg ervoor dat er nooit vloeistof in het gereedschap kan lopen en dompel het gereedschap nooit (gedeeltelijk) in een vloeistof.

Stekker voedingskabel vervangen (alleen in V.K. en Ierland)

Het monteren van een nieuwe stekker:

- ◆ Gooi de oude stekker op verantwoorde wijze weg.
- ◆ Verbind de bruine draad met de spannings-/fasepool in de nieuwe stekker.
- ◆ Verbind de blauwe draad met de nul-/neutraalpool.

Waarschuwing! De aardepool hoeft niet te worden aangesloten. Volg de bevestigingsinstructies die met hoogwaardige stekkers worden meegeleverd. Aanbevolen zekering: 5 A.

Het milieu beschermen



Aparte inzameling. Dit product mag niet bij het normale huishoudafval worden weggegooid.

Gooi uw BLACK+DECKER-product niet bij het huishoudafval als het product vervangen moet worden, of als u het niet langer zult gebruiken. Het product valt onder de categorie voor elektrische apparaten.



Gescheiden inzameling van gebruikte producten en verpakkingsmaterialen maakt het mogelijk materialen te recyclen en opnieuw te gebruiken. Hergebruik van gerecycleerde materialen zorgt voor minder milieuvervuiling en dringt de vraag naar grondstoffen terug.

Plaatselijke verordeningen kunnen voorzien in gescheiden inzameling van elektrische producten, bij gemeentelijke milieustations of bij de winkel wanneer u een nieuw product koopt.

BLACK+DECKER biedt een service voor het inzamelen en hergebruiken van BLACK+DECKER-producten als deze aan het einde van hun levensduur zijn gekomen. Om gebruik te maken van deze service, dient u het product naar een van onze servicecentra te sturen, die de inzameling voor ons verzorgen.

U kunt de locatie van de dichtstbijzijnde geautoriseerde dealer vinden door contact op te nemen met het BLACK+DECKER-kantoor op het adres dat in deze handleiding is aangegeven. Daarnaast is er een lijst van geautoriseerde

BLACK+DECKER-dealers en de complete gegevens van onze after-sales service op internet beschikbaar bij: www.2helpU.com

Technische gegevens

		KS501 (type 1)	
		KS701E/PE (type 1)	
Ingangsspanning		V_{ac}	230
Onbelaste snelheid	(KS501)	min^{-1}	3,000
	(KS701E en KS701PE)	min^{-1}	0-3,000
Max. zaagdiepte			
Hout	(KS501)	mm	65
	(KS701E en KS701PE)	mm	70
Staal		mm	5
Aluminium	(KS501)	mm	10
	(KS701E en KS701PE)	mm	15
Gewicht	(KS501)	kg	1.3
	(KS701E)	kg	1.6
	(KS701PE)	kg	1.7

KS501

L_{PA} (geluidsdruk) 85.5 dB(A), onzekerheid (K) 3 dB(A)

L_{WA} (geluidsvermogen) 96.5 dB(A), onzekerheid (K) 3 dB(A)

Totale trillingswaarden (som triaxvector) volgens EN 60745:

Zagen van hout ($a_{h,B}$) 9.3 m/s^2 , onzekerheid (K) 1.5 m/s^2

Zagen van metaalvellen ($a_{h,M}$) 12.6 m/s^2 , onzekerheid (K) 1.5 m/s^2

KS701E

L_{PA} (geluidsdruk) 88 dB(A), onzekerheid (K) 3 dB(A)

L_{WA} (geluidsvermogen) 99 dB(A), onzekerheid (K) 3 dB(A)

Totale trillingswaarden (som triaxvector) volgens EN 60745:

Zagen van hout ($a_{h,B}$) 5.8 m/s^2 , onzekerheid (K) 1.5 m/s^2

Zagen van metaalvellen ($a_{h,M}$) 6.3 m/s^2 , onzekerheid (K) 1.5 m/s^2

KS701PE

L_{PA} (geluidsdruk) 89 dB(A), onzekerheid (K) 3 dB(A)

L_{WA} (geluidsvermogen) 100 dB(A), onzekerheid (K) 3 dB(A)

Totale trillingswaarden (som triaxvector) volgens EN 60745:

Zagen van hout ($a_{h,B}$) 12.5 m/s^2 , onzekerheid (K) 1.5 m/s^2

Zagen van metaalvellen ($a_{h,M}$) 9.9 m/s^2 , onzekerheid (K) 1.5 m/s^2

EG-Conformiteitsverklaring

MACHINERICHTLIJN



KS501 / KS701E / KS701PE

Black & Decker verklaart dat deze producten zoals omschreven bij "technische gegevens" voldoen aan: 2006/42/EG, EN 60745-1, EN 60745-2-11

Deze producten voldoen tevens aan Richtlijn 2014/30/EU en 2011/65/EU. Neem voor meer informatie contact op met Black & Decker op het volgende adres, of kijk op de achterkant van deze handleiding.

Ondergetekende is verantwoordelijk voor de samenstelling van de technische gegevens en geeft deze verklaring namens Black & Decker af.

Ray Laverick
Engineering Manager
Black & Decker Europe, 210 Bath Road, Slough,
Berkshire, SL1 3AD,
Verenigd Koninkrijk
11/09/2014

Garantie en aansprakelijkheid

Black & Decker is overtuigd van de kwaliteit van haar producten en biedt een uitstekende garantie. Deze garantieverklaring komt bovenop uw contractuele rechten en doet hier op geen enkele wijze afbreuk aan. Deze garantie is geldig binnen het territoriaal gebied van de Lidstaten van de Europese Unie en de Europese Vrijhandelszone.

Als uw Black & Decker-product binnen 24 maanden vanaf de datum van aankoop defect raakt als gevolg van gebreken in materiaal of vervaardiging, garandeert Black & Decker de vervanging van alle defecte onderdelen en de reparatie of vervanging van onderdelen die onderhevig zijn aan normale slijtage om het ongemak voor de klant tot een minimum te beperken, tenzij:

- ◆ Het product is gebruikt voor handel, professioneel gebruik of voor verhuur.
- ◆ Het product oneigenlijk is gebruikt of is veronachtzaamd.
- ◆ Het product is beschadigd door vreemde voorwerpen of substanties, of door ongevallen.
- ◆ Reparaties zijn uitgevoerd door anderen dan onze geautoriseerde dealers of Black & Decker servicepersoneel.

Voor een garantie-aanspraak moet u een bewijs van aankoop overhandigen aan de verkoper of aan een geautoriseerde dealer. U kunt de locatie van de dichtstbijzijnde geautoriseerde dealer vinden door contact op te nemen met het Black & Decker-kantoor op het adres dat in deze handleiding is aangegeven. Daarnaast is er een lijst van geautoriseerde Black & Decker-dealers en de complete gegevens van onze after-sales service op internet beschikbaar bij: www.2helpU.com

Bezoek onze website www.blackanddecker.nl om uw nieuwe Black & Decker-product te registreren en voor informatie over nieuwe producten en speciale aanbiedingen. Meer informatie over het merk BLACK+DECKER en onze productlijn kunt u vinden op www.blackanddecker.eu.

Uso específico

La sierra BLACK+DECKER ha sido diseñada para lijar madera, plástico y metal. Esta herramienta está pensada únicamente para uso doméstico.

Instrucciones de seguridad

Advertencias de seguridad generales para herramientas eléctricas



¡Atención! Lea todas las advertencias e instrucciones de seguridad. En caso de no atenderse a las siguientes advertencias e instrucciones de seguridad, podría producirse una descarga eléctrica, incendio o lesión grave.

Guarde todas las advertencias e instrucciones para futuras consultas. El término "herramienta eléctrica" empleado en las advertencias a continuación hace referencia a la herramienta eléctrica con alimentación de red (con cable) o alimentada por batería (sin cable).

1. Seguridad del área de trabajo

- a. **Mantenga limpia y bien iluminada el área de trabajo.** El desorden y una iluminación deficiente pueden provocar accidentes.
- b. **No utilice la herramienta eléctrica en un entorno con peligro de explosión, en el que se encuentren líquidos, gases o material en polvo inflamables.** Las herramientas eléctricas producen chispas que pueden llegar a inflamar el polvo o los vapores.
- c. **Cuando utilice la herramienta eléctrica, mantenga alejados a los niños y a otras personas del área de trabajo.** Una distracción le puede hacer perder el control del aparato.

2. Seguridad eléctrica

- a. **El enchufe de la herramienta eléctrica debe corresponder a la toma de corriente utilizada. No modifique el enchufe. No emplee adaptadores en herramientas eléctricas dotadas con toma de tierra.** Estas pautas le ayudarán a reducir el riesgo de descargas eléctricas.
- b. **Evite tocar superficies conectadas a tierra como tuberías, radiadores, cocinas y refrigeradores.** El riesgo a quedar expuesto a una descarga eléctrica es mayor si su cuerpo tiene contacto con tierra.
- c. **No exponga la herramienta eléctrica a la lluvia o a condiciones de humedad excesiva y evite que penetren líquidos en su interior, ya que existe el peligro de recibir una descarga eléctrica.**
- d. **Cuide el cable de alimentación. No lo utilice para transportar o colgar la herramienta eléctrica, ni tire de él para extraer el enchufe de la toma de corriente. Manténgalo alejado del calor, aceite, bordes afilados o piezas móviles.** Los cables de red dañados o enredados incrementan el riesgo de descarga eléctrica.
- e. **Si trabaja con la herramienta eléctrica en el exterior, utilice solamente cables de prolongación homologados para uso en exteriores.** Esto le ayudará a reducir el riesgo de descarga eléctrica.

- f. **Si la utilización de una herramienta eléctrica en un lugar húmedo es inevitable, utilice una fuente protegida con un dispositivo de corriente residual (RCD).** Ello le ayudará a reducir el riesgo de descargas eléctricas.

3. Seguridad personal

- a. **Esté atento a lo que hace y utilice la herramienta eléctrica con prudencia. No la use si está cansado, ni si se encuentra bajo los efectos del alcohol, drogas o medicamentos.** El no estar atento durante el uso de una herramienta eléctrica puede provocarle serias lesiones.
 - b. **Utilice material de protección personal. gafas de protección.** El riesgo de lesiones se reduce considerablemente si se utiliza material de protección adecuado como una mascarilla antipolvo, zapatos de seguridad con suela antideslizante, casco o protectores auditivos.
 - c. **Impida que la herramienta se ponga en marcha accidentalmente. Asegúrese de que el interruptor de encendido/apagado se encuentra en la posición de apagado antes de conectar la herramienta a la fuente de alimentación o a la batería, o de coger o transportar la herramienta.** Transportar la herramienta eléctrica con el dedo sobre el interruptor o enchufarla con el interruptor encendido puede provocar accidentes.
 - d. **Retire las herramientas de ajuste o llaves fijas antes de conectar la herramienta eléctrica.** Una herramienta o llave colocada en una pieza giratoria de la herramienta eléctrica puede producir lesiones al ponerse a funcionar.
 - e. **Sea precavido. Evite adoptar una posición que fatigue su cuerpo; mantenga un apoyo firme sobre el suelo y conserve el equilibrio en todo momento.** Ello le permitirá controlar mejor la herramienta eléctrica en caso de presentarse una situación inesperada.
 - f. **Vístase con la ropa adecuada. No lleve ropa holgada ni joyas. Aleje el pelo, la ropa y los guantes de las piezas móviles.** La vestimenta holgada, las joyas y el pelo largo se pueden enganchar con las piezas en movimiento.
 - g. **Siempre que sea posible utilice equipos de aspiración o captación de polvo, asegúrese de que estos estén conectados y que se utilicen correctamente.** El empleo de estos equipos reduce los riesgos derivados del polvo.
- #### 4. Uso y cuidado de herramientas eléctricas
- a. **No sobrecargue la herramienta eléctrica. Use la herramienta eléctrica adecuada para cada aplicación.** Con la herramienta eléctrica adecuada podrá trabajar mejor y más seguro dentro del margen de potencia indicado.
 - b. **No utilice la herramienta eléctrica con un interruptor defectuoso.** Las herramientas eléctricas que no se puedan conectar o desconectar son peligrosas y deben repararse.
 - c. **Desconecte el enchufe de la fuente de alimentación y la batería de la herramienta eléctrica antes de realizar cualquier ajuste, cambiar accesorios o guardar la herramienta.** Esta medida preventiva reduce el riesgo de encender accidentalmente la herramienta eléctrica.
 - d. **Guarde la herramienta eléctrica fuera del alcance de los niños y de las personas que no estén familiarizadas con su uso ni con estas instrucciones.** Las herramientas eléctricas utilizadas por personas inexpertas son peligrosas.

- e. **Cuide sus herramientas eléctricas con esmero. Controle si funcionan correctamente, sin atascarse, las partes móviles de la herramienta eléctrica, y si existen partes rotas o deterioradas que pudieran afectar al funcionamiento de la herramienta. Si la herramienta eléctrica estuviese defectuosa haga que la reparen antes de volver a utilizarla.** Muchos de los accidentes se deben a herramientas eléctricas con un mantenimiento deficiente.
- f. **Mantenga las herramientas de corte limpias y afiladas.** Las herramientas de corte mantenidas correctamente se dejan guiar y controlar mejor.
- g. **Utilice la herramienta eléctrica, los accesorios, los útiles de la herramienta, etc. de acuerdo con estas instrucciones, y tenga en cuenta las condiciones de trabajo y la tarea a realizar.** El uso de herramientas eléctricas para trabajos diferentes de aquellos para los que han sido concebidas puede resultar peligroso.

5. Servicio técnico

- a. **Esta herramienta eléctrica solo la puede reparar personal técnico autorizado que emplee exclusivamente piezas de repuesto originales.** Solamente así se garantiza la seguridad de la herramienta eléctrica.

Advertencias de seguridad adicionales para herramientas eléctricas



¡Atención! Instrucciones de seguridad para todas las sierras

- ◆ **Sujete la herramienta eléctrica por la superficie de agarre aislada cuando realice una operación en la que el accesorio de corte pueda entrar en contacto con cableado oculto.** El contacto del accesorio de corte con un cable conectado a la red eléctrica podría hacer que las partes metálicas de la herramienta transmitieran esa electricidad y producir una descarga al usuario.
- ◆ **Utilice pinzas u otro método práctico para asegurar y sujetar la pieza de trabajo a una plataforma estable.** Si sostiene la pieza con la mano o contra el cuerpo, podría provocar su inestabilidad y perder el control.
- ◆ **Mantenga las manos alejadas de la zona de corte.** No meta nunca la mano bajo la pieza de trabajo. No introduzca los dedos en los alrededores de la cuchilla de vaivén ni en el enganche de esta. No establezca la sierra agarrando la zapata.
- ◆ **Mantenga las cuchillas afiladas.** La hojas flojas o dañadas pueden provocar que la sierra dé un viraje brusco o se paralice al ejercer la presión para el corte. Utilice siempre el tipo de hoja de sierra apropiado para cada material de trabajo y tipo de corte.
- ◆ **Al cortar una cañería o un conducto, asegúrese de que no contiene restos de agua ni cableado eléctrico, etc.**
- ◆ **No toque la pieza de trabajo o la hoja justo después de utilizar la herramienta.** Pueden alcanzar temperaturas muy elevadas.
- ◆ **Tenga en cuenta los peligros ocultos, antes de serrar paredes, suelos o techos, compruebe la ubicación de los cables y tubos.**
- ◆ **La hoja seguirá moviéndose después de soltar el interruptor.** Apague la herramienta y espere siempre a que la hoja de sierra se detenga por completo antes de depositar la herramienta.

¡Atención! El contacto o la inhalación del polvo procedente de las aplicaciones de corte de la sierra puede poner en peligro la salud del usuario y de cualquier otra persona que se encuentre alrededor. Utilice una mascarilla diseñada específicamente para proteger contra el polvo y los vapores, y asegúrese de que las demás personas que se encuentren dentro o vayan a entrar en el área de trabajo también estén protegidas.

- ◆ En este manual de instrucciones se describe el uso para el que se ha diseñado el aparato. La utilización de accesorios o la realización de operaciones con esta herramienta distintas de las recomendadas en este manual de instrucciones puede implicar un riesgo de lesiones o daños materiales.

Seguridad de terceros

- ◆ Las personas (incluidos niños) con capacidades físicas, sensoriales o mentales disminuidas o que carezcan de experiencia y conocimientos no deben utilizar esta herramienta, salvo que hayan recibido supervisión o formación con respecto al uso del aparato por parte de una persona responsable de su seguridad.
- ◆ Los niños deben vigilarse en todo momento para garantizar que el aparato no se toma como elemento de juego.

Vibración

El valor de emisión de vibraciones indicado en el apartado de características técnicas y en la declaración de conformidad se ha calculado según un método de prueba estándar proporcionado por la norma EN 60745 y puede utilizarse para comparar una herramienta con otra. El valor de emisión de vibraciones especificado también puede utilizarse en una evaluación preliminar de la exposición.

¡Atención! El valor de emisión de vibraciones durante el funcionamiento real de la herramienta eléctrica puede diferir del valor declarado en función de cómo se utilice dicha herramienta. El nivel de las vibraciones puede aumentar por encima del nivel declarado.

Al evaluar la exposición a las vibraciones con el fin de determinar las medidas de seguridad que exige la norma 2002/44/CE para proteger a las personas que utilizan periódicamente herramientas eléctricas en el entorno laboral, deberá tenerse en cuenta una estimación de la exposición a las vibraciones, las condiciones de uso reales y el modo de empleo de la herramienta, así como los pasos del ciclo operativo como, por ejemplo, el número de veces que la herramienta se apaga, el tiempo que está parada y el tiempo de activación.

Etiquetas en la herramienta

Encontrará los siguientes símbolos en la herramienta:



¡Atención! Para reducir el riesgo de lesiones, el usuario debe leer el manual de instrucciones.

Seguridad eléctrica



Esta herramienta lleva un doble aislamiento; por lo tanto, no requiere una toma a tierra. Compruebe siempre que la tensión de la red coincide con el valor indicado en la placa de datos de la herramienta.

- ◆ Si se dañara el cable de alimentación, deberá ser sustituido por el fabricante o por un centro de asistencia técnica autorizado BLACK+DECKER para evitar cualquier situación de riesgo.

Características

Esta herramienta incluye alguna de las siguientes características o todas ellas.

1. Interruptor de velocidad variable (KS701E y KS701PE) o interruptor de encendido/apagado (KS501)
2. Botón de bloqueo
3. Palanca de bloqueo de la hoja de sierra
4. Base
5. Salida de aspiración de polvo (solo KS701E y KS701PE)
6. Mando de movimiento basculante (solo KS701PE)

Montaje

¡Atención! Antes de llevar a cabo cualquiera de las siguientes operaciones, asegúrese de que la herramienta está desconectada, desenchufada y que la hoja se ha detenido. Después de utilizar la hoja de sierra, es posible que esté caliente.

Colocación de la hoja de sierra (fig. A - KS701E y KS701PE)

- ◆ Coloque la hoja (7) como se muestra en la ilustración, con los dientes hacia delante.
- ◆ Presione la palanca de bloqueo (3) hacia fuera de la base (4).
- ◆ Introduzca el vástago de la hoja de sierra en el soporte (8) hasta que encaje.
- ◆ Ajuste el eje principal del rodillo de apoyo para la hoja de sierra (17) como se ha descrito anteriormente.
- ◆ Suelte la palanca de bloqueo (3).

Colocación de la hoja de sierra (fig. A - KS501)

- ◆ Cuando monte o desmonte la hoja de sierra (7), el rodillo de apoyo para la hoja de sierra (17) debe estar ajustado en la posición posterior de manera que no entre en contacto con la hoja de sierra.
- ◆ Afloje los dos tornillos (sin extraerlos) (18).
- ◆ Sujete la hoja de sierra (7) con los dientes hacia delante.
- ◆ Introduzca el vástago de la hoja de sierra (7) en el soporte (8) hasta que encaje.
- ◆ Apriete ligeramente los dos tornillos (18) de forma alterna hasta posicionar la hoja y, a continuación, apriételes completamente.
- ◆ Ajuste el eje principal del rodillo de apoyo para la hoja de sierra (17) como se ha descrito anteriormente.
- ◆ Para extraer la hoja de sierra (7), gire ambos tornillos (18) uno a la vez en sentido contrario al de las agujas del reloj.

Conexión de una aspiradora a la herramienta (fig. B - solo KS701E y KS701PE).

- ◆ Deslice la boquilla de la aspiradora (9) en la salida de aspiración de polvo (5).

Riesgos residuales

El uso de esta herramienta puede producir riesgos residuales adicionales no incluidos en las advertencias de seguridad adjuntas. Estos riesgos se pueden generar por un uso incorrecto, demasiado prolongado, etc.

El cumplimiento de las normas de seguridad correspondientes y el uso de dispositivos de seguridad no evitan ciertos riesgos residuales. Estos riesgos incluyen:

- ◆ Lesiones producidas por el contacto con piezas móviles o giratorias.
- ◆ Lesiones producidas al cambiar cualquier pieza, cuchilla o accesorio.
- ◆ Lesiones producidas al usar una herramienta por un tiempo demasiado prolongado. Si utiliza una herramienta durante períodos de tiempo demasiado prolongados, asegúrese de realizar pausas con frecuencia.
- ◆ Discapacidad auditiva.
- ◆ Riesgos para la salud producidos al respirar el polvo que se genera al usar la herramienta (por ejemplo: en los trabajos con madera, especialmente de roble, haya y tableros de densidad mediana).

Uso

Ajuste de la base para cortes biselados (fig. C)

¡Atención! Nunca utilice la herramienta sin la base montada y correctamente apretada.

Es posible ajustar la base (4) en un ángulo de bisel izquierdo o derecho de 45°.

- ◆ Afloje los tornillos (10) Algunos modelos tienen un tornillo.
- ◆ Tire de la base (4) hacia adelante, gírela a izquierda o derecha y presiónela de nuevo hacia la posición de 45°. (Solo KS701E y KS701PE).
- ◆ Presione la base (4) hacia atrás, gírela hacia la derecha y tire de ella de nuevo hacia la posición de 45°. (Solo KS501).
- ◆ Apriete los tornillos.

Para reajustar la base (4) para cortes en 90°:

- ◆ Afloje los tornillos (10).
- ◆ Tire de la base (4) hacia adelante, gírela hacia el centro y presiónela de nuevo hacia la posición de 0°.
- ◆ Apriete los tornillos.

Control de la velocidad variable (solo KS701E y KS701PE)

- ◆ Utilice la velocidad alta para madera, la media para aluminio y PVC y la baja para metales diferentes al aluminio.

Encendido y apagado

- ◆ Para encender la herramienta, pulse el interruptor de velocidad variable (KS701E y KS701PE) o el interruptor de encendido/apagado (KS501) (1). En las unidades KS701E y KS107PE, la velocidad depende de la presión que aplique al interruptor.
- ◆ Para un funcionamiento continuo, pulse el botón de bloqueo (2) y presione el interruptor de velocidad variable. Esta opción solamente está disponible a velocidad máxima.
- ◆ Para apagar la herramienta, suelte el interruptor de velocidad variable. Para apagar la herramienta mientras esté activado el funcionamiento continuo, vuelva a pulsar el interruptor de velocidad variable o de encendido/apagado y suéltelo.

Cómo utilizar la función Sightline® (fig. D)

- ◆ Utilice un lápiz para marcar la línea de corte.
 - ◆ Coloque la sierra de calar encima de la línea (11).
- Si mira directamente por encima de la sierra, la línea de corte se puede seguir fácilmente.

Modo de corte (solo KS701PE)

La acción o el movimiento basculante ofrece un movimiento de hoja más agresivo y está diseñado para cortar materiales blandos como la madera o el plástico. Proporciona un corte más rápido pero realiza un corte menos preciso en el material. La sierra tiene un mando de movimiento basculante. El uso de este mando se explica en la siguiente sección.

Nota: No utilice nunca la acción basculante para cortar metal.

Mando de movimiento basculante (fig. E - solo KS701PE)

La KS701PE cuenta con estos cuatro modos de corte con mayor cantidad de acción basculante:

- ◆ Posición 0: metal y aluminio y planchas de metal (sin acción basculante).
- ◆ Posición 1: para materiales laminados, maderas duras y superficies de trabajo.
- ◆ Posición 2: para madera contrachapada y PVC/plásticos.
- ◆ Posición 3: para madera suave y madera de serrado rápido

Para ajustar la acción basculante:

- ◆ Gire el selector de movimiento basculante (6) hasta la posición indicada.

Serrado

Sostenga firmemente la herramienta con las dos manos durante el corte.

La base (4) debe sostenerse firmemente contra el material que se va a cortar. Esto ayudará a evitar que la sierra salte, reducirá la vibración y disminuirá las posibilidades de rotura de la hoja.

- ◆ Deje que la hoja se mueva durante unos segundos antes de empezar a cortar.
- ◆ Aplique presión suavemente a la herramienta mientras realiza el corte.

Consejos para un uso óptimo**Serrado de material laminado**

Al realizar el corte, es posible que se astille el laminado y, por consiguiente, que se dañe la superficie de presentación. La mayoría de hojas de sierra cortan con movimiento hacia arriba, por lo que, si la base está apoyada en la superficie de presentación, utilice una hoja de sierra que corte hacia abajo o:

- ◆ Utilice una hoja de sierra con dientes pequeños.
- ◆ Sierre por la parte trasera de la pieza de trabajo.
- ◆ Para minimizar el astillado de la superficie, sujete una plancha de madera o metal a ambos lados de la pieza de trabajo y sierre el conjunto.

Serrado de metal

¡Atención! Cuando corte metal, no utilice una aspiradora. Las limaduras de metales estarán calientes y podrían causar un incendio.

Tenga en cuenta que serrar metal lleva mucho más tiempo que serrar madera.

- ◆ Utilice una hoja apropiada para serrar metal.
- ◆ Cuando corte una plancha de metal delgada, sujete un tablero o trozo de madera en la parte trasera de la pieza de trabajo y corte el conjunto.
- ◆ Extienda una película de aceite a lo largo de la línea que va a cortar.

Guía de corte (solo KS701E y KS701PE)

Cortar en dirección a la veta y cortar en círculo sin una línea trazada con un lápiz resulta fácil con una guía de corte (disponible como accesorio opcional: número de pieza X43005-XJ).

Colocación de la guía de corte (figs. F y G)

- ◆ Coloque la guía de corte (14) en las ranuras de la base con la barra transversal orientada hacia abajo como se muestra en la figura F.
- ◆ Coloque el tornillo (15) en el orificio de la parte inferior de la base.
- ◆ Alinee la barra de pinza (16) sobre el tornillo con el borde sobresaliente orientado hacia abajo y hacia la parte trasera de la sierra.
- ◆ Coloque el tornillo en el orificio roscado de la pinza de la barra con un destornillador de estrella, como se muestra en la figura G.
- ◆ Ajustelo al ancho de corte y apriete el tornillo.

Corte en círculo (fig. H - solo KS701E y KS701PE)

- ◆ Coloque la guía de corte en la ranura del lado derecho de la base con la barra transversal orientada hacia arriba.
- ◆ Ajuste la guía de corte de modo tal que la distancia desde la hoja hasta el orificio de la barra transversal sea el radio deseado y apriete el tornillo.
- ◆ Coloque la sierra de modo que el centro del orificio de la barra transversal esté sobre el centro del círculo que se cortará (haga un corte directo, perforo un orificio para la hoja o corte hacia adentro desde el borde del material para colocar la hoja en posición).
- ◆ Al colocar correctamente la sierra, introduzca un pequeño clavo a través del orificio en la barra transversal exactamente en el centro del círculo que se cortará.
- ◆ Comience a cortar el círculo utilizando la guía de corte como brazo pivotante.

Corte directo (fig. I)

Un corte directo es un método sencillo de realizar un corte interior. La sierra puede colocarse directamente en un panel o placa sin perforar primero un agujero piloto o principal. Al realizar cortes directos, mida la superficie que se cortará y márquela claramente con un lápiz. Luego incline la sierra hacia adelante hasta que el extremo delantero de la base se apoye firmemente sobre la superficie de trabajo y la hoja despeje el área de trabajo con su movimiento completo. Encienda la herramienta y permita que alcance la velocidad máxima. Sujete firmemente la sierra y baje el borde trasero de la herramienta lentamente hasta que la hoja alcance su profundidad total. Mantenga la base aplastada contra la madera y comience a cortar. No retire la hoja del corte mientras sigue moviéndose. La hoja debe detenerse por completo.

Mantenimiento

La herramienta BLACK+DECKER se ha diseñado para que funcione durante un largo período de tiempo con un

mantenimiento mínimo. El funcionamiento satisfactorio continuado depende de un cuidado apropiado y una limpieza periódica de la herramienta.

- ◆ Limpie periódicamente las ranuras de ventilación de la herramienta con un cepillo suave o un paño seco.
- ◆ Limpie la carcasa del motor de forma regular con un paño húmedo.
No utilice limpiadores de base abrasiva ni disolventes.
No permita que entre líquido en la herramienta ni sumerja nunca ninguna parte de esta en un líquido.

Sustitución del enchufe de corriente (solo para el Reino Unido e Irlanda)

Si es necesario colocar un nuevo enchufe de corriente:

- ◆ Deseche el enchufe anterior según las normas de seguridad.
- ◆ Conecte el cable marrón al terminal conductor del nuevo enchufe.
- ◆ Conecte el cable azul al terminal neutro.

¡Atención! No se debe realizar ninguna conexión al terminal de conexión a tierra. Siga las instrucciones de montaje suministradas con los enchufes de buena calidad. Fusible recomendado: 5 A.

Protección del medio ambiente



Recogida selectiva. No se debe desechar este producto con el resto de residuos domésticos.

Si llegase el momento en que fuese necesario sustituir su producto BLACK+DECKER o si este dejase de tener utilidad para usted, no lo deseche junto con los residuos domésticos. Sepárelo para su recogida selectiva.



La recogida selectiva de productos y embalajes usados permite el reciclaje de materiales y su reutilización. La reutilización de materiales reciclados contribuye a evitar la contaminación medioambiental y reduce la demanda de materias primas.

Las normativas municipales deben ofrecer la recogida selectiva de productos eléctricos del hogar, en puntos municipales previstos para tal fin o a través del distribuidor cuando adquiera un nuevo producto.

BLACK+DECKER proporciona facilidades para la recogida y reciclado de los productos BLACK+DECKER que han llegado al final de su vida útil. Para poder utilizar este servicio, le rogamos que entregue el producto a cualquier agente de servicio técnico autorizado para que se haga cargo de él en nuestro nombre.

Para consultar la dirección del agente de servicio técnico más cercano, póngase en contacto con la oficina local de BLACK+DECKER en la dirección que se indica en este manual. Como opción alternativa, puede consultar la lista de agentes de servicio técnico autorizados de BLACK+DECKER y obtener la información completa de nuestros servicios de posventa y los contactos disponibles en la siguiente dirección de Internet: www.2helpU.com

Características técnicas

		KS501 (Tipo 1)	
		KS701E/PE (Tipo 1)	
Voltaje de entrada		V _{ac}	230
Velocidad sin carga	(KS501)	min ⁻¹	3,000
	(KS701E y KS701PE)	min ⁻¹	0-3,000
Profundidad máxima de corte	(KS501)	mm	65
Madera	(KS701E y KS701PE)	mm	70
		mm	5
Acero	(KS501)	mm	10
Aluminio	(KS701E y KS701PE)	mm	15
Peso	(KS501)	kg	1.3
	(KS701E)	kg	1.6
	(KS701PE)	kg	1.7

KS501

L_{pA} (presión acústica) 85.5 dB(A), incertidumbre (K) 3 dB(A)

L_{WA} (potencia acústica) 96.5 dB(A), incertidumbre (K) 3 dB(A)

Valores totales de vibración (suma vectorial triaxial)

de acuerdo con la norma EN 60745:

Corte de tableros (a_{h,B}) 9.3 m/s², incertidumbre (K) 1.5 m/s²

Corte de planchas de metal (a_{h,M}) 12.6 m/s², incertidumbre (K) 1.5 m/s²

KS701E

L_{pA} (presión acústica) 88 dB(A), incertidumbre (K) 3 dB(A)

L_{WA} (potencia acústica) 99 dB(A), incertidumbre (K) 3 dB(A)

Valores totales de vibración (suma vectorial triaxial)

de acuerdo con la norma EN 60745:

Corte de tableros (a_{h,B}) 5.8 m/s², incertidumbre (K) 1.5 m/s²

Corte de planchas de metal (a_{h,M}) 6.3 m/s², incertidumbre (K) 1.5 m/s²

KS701PE

L_{pA} (presión acústica) 89 dB(A), incertidumbre (K) 3 dB(A)

L_{WA} (potencia acústica) 100 dB(A), incertidumbre (K) 3 dB(A)

Valores totales de vibración (suma vectorial triaxial)

de acuerdo con la norma EN 60745:

Corte de tableros (a_{h,B}) 12.5 m/s², incertidumbre (K) 1.5 m/s²

Corte de planchas de metal (a_{h,M}) 9.9 m/s², incertidumbre (K) 1.5 m/s²

Declaración de conformidad de la CE

DIRECTIVA DE MAQUINARIAS



KS501 / KS701E / KS701PE

Black & Decker declara que los productos descritos en la "ficha técnica" cumplen con las siguientes directivas: 2006/42/CE, EN 60745-1, EN 60745-2-11

Estos productos también cumplen con las directivas 2014/30/UE y 2011/65/UE. Si desea obtener más información, póngase en contacto con Black & Decker a través de la siguiente dirección o consulte el dorso del manual.

La persona que firma a continuación es responsable de la recopilación del archivo técnico y realiza esta declaración en nombre de Black & Decker.

Ray Laverick
Director de ingeniería
Black & Decker Europe, 210 Bath Road, Slough,
Berkshire, SL1 3AD,
Reino Unido
11/09/2014

Garantía

Black & Decker confía plenamente en la calidad de sus productos y ofrece una garantía extraordinaria.

Esta declaración de garantía es un añadido, y en ningún caso un perjuicio para sus derechos legales. La garantía es válida dentro de los territorios de los Estados miembros de la Unión Europea y de los de la Zona Europea de Libre Comercio.

Si un producto Black & Decker resultara defectuoso debido a materiales o mano de obra defectuosos, Black & Decker garantiza, dentro de los 24 meses de la fecha de compra, la sustitución de todas las piezas defectuosas, la reparación de los productos sujetos a un desgaste y rotura razonables o la sustitución de tales productos para garantizar al cliente el mínimo de inconvenientes, a menos que:

- ◆ El producto se haya utilizado con propósitos comerciales, profesionales o de alquiler.
- ◆ El producto se ha sometido a un uso inadecuado o negligente.
- ◆ El producto haya sufrido daños causados por objetos, sustancias extrañas o accidentes.
- ◆ Se hayan realizado reparaciones por parte de personas que no sean del servicio técnico autorizado o personal de servicios de Black & Decker.

Para reclamar en garantía, será necesario que presente la prueba de compra al vendedor o al agente de servicio técnico autorizado. Para consultar la dirección del agente de servicio técnico más cercano, póngase en contacto con la oficina local de Black & Decker en la dirección que se indica en este manual. Como opción alternativa, puede consultar la lista de agentes de servicio técnico autorizados de Black & Decker y obtener la información completa de nuestros servicios de posventa y los contactos disponibles en la siguiente dirección de Internet: www.2helpU.com

Visite nuestro sitio web www.blackanddecker.es para registrar su nuevo producto BLACK+DECKER y mantenerse al día sobre nuestros productos y ofertas especiales. Encontrará más información sobre la marca BLACK+DECKER y nuestra gama de productos en www.blackanddecker.eu.

Utilização prevista

A sua serra eléctrica BLACK+DECKER foi concebida para serrar madeira, metal e plástico. Esta ferramenta destina-se apenas a utilização doméstica.

Instruções de segurança

Avisos de segurança gerais para ferramentas eléctricas



Atenção! Leia com atenção todos os avisos de segurança e instruções. O não cumprimento dos seguintes avisos e instruções pode resultar em choque eléctrico, incêndio e/ou graves lesões.

Guarde todos os avisos e instruções para futura referência.

A expressão "ferramenta eléctrica" utilizada a seguir refere-se a ferramentas eléctricas com ligação à corrente eléctrica (com cabo) ou com bateria (sem fios).

1. Segurança na área de trabalho

- Mantenha a área de trabalho limpa e bem iluminada.** Áreas desarrumadas ou mal iluminadas são propícias a acidentes.
- Não trabalhe com ferramentas eléctricas em áreas com risco de explosão, nas quais se encontrem líquidos, gases ou poeiras inflamáveis.** As ferramentas eléctricas produzem faíscas que podem provocar a ignição de poeiras ou vapores.
- Mantenha crianças e outras pessoas afastadas durante a utilização da ferramenta eléctrica.** Distracções podem provocar perda de controlo do aparelho.

2. Segurança eléctrica

- A ficha da ferramenta eléctrica deve caber na tomada. A ficha não deve ser modificada de modo algum. Não utilize quaisquer fichas adaptadoras em ferramentas eléctricas com ligação à terra.** Fichas sem modificações e tomadas adequadas reduzem o risco de choques eléctricos.
- Evite que o corpo entre em contacto com superfícies ligadas à terra, como tubos, radiadores, fogões e frigoríficos.** Existe um risco elevado de choques eléctricos se o corpo estiver ligado à terra.
- As ferramentas eléctricas não podem ser expostas à chuva nem à humidade.** A penetração de água na ferramenta eléctrica aumenta o risco de choques eléctricos.
- Manuseie o cabo com cuidado. O cabo não deve ser utilizado para transportar ou pendurar a ferramenta, nem para puxar a ficha da tomada. Mantenha o cabo afastado de calor, óleo, pontas afiadas ou partes móveis.** Cabos danificados ou torcidos aumentam o risco de choques eléctricos.
- Quando trabalhar com uma ferramenta eléctrica ao ar livre, utilize um cabo de extensão apropriado para esse fim.** A utilização de um cabo apropriado para áreas ao ar livre reduz o risco de choques eléctricos.
- Se for inevitável trabalhar com uma ferramenta**

eléctrica num local húmido, utilize um Dispositivo de Corrente Residual (RCD). A utilização de um RCD reduz o risco de choque eléctrico.

3. Segurança pessoal

- Mantenha-se atento, observe o que está a fazer e seja prudente ao trabalhar com uma ferramenta eléctrica. Não utilize uma ferramenta eléctrica se estiver cansado ou sob a influência de drogas, álcool ou medicamentos.** Um momento de falta de atenção enquanto trabalha com ferramentas eléctricas poderá resultar em lesões graves.
 - Utilize equipamento de protecção pessoal. Utilize sempre óculos de protecção.** Equipamento de protecção como, por exemplo, máscara anti-poeiras, sapatos de segurança anti-derrapantes, capacete de segurança ou protecção auricular, de acordo com o tipo e a aplicação de ferramenta eléctrica, reduz o risco de lesões.
 - Evite arranques involuntários. Certifique-se de que o botão está desligado antes de ligar a ferramenta à corrente eléctrica e/ou a bateria, pegando ou transportando a ferramenta.** Transportar ferramentas eléctricas com o dedo no botão ou ligar ferramentas eléctricas à tomada com o interruptor na posição de ligado pode dar origem a acidentes.
 - Retire eventuais chaves de ajuste ou chaves inglesas antes de ligar a ferramenta eléctrica.** Uma chave fixa ou qualquer outra chave ligada a uma peça rotativa da ferramenta eléctrica pode provocar lesões.
 - Não se incline. Mantenha-se sempre bem posicionado e em equilíbrio.** Assim, controlará melhor a ferramenta eléctrica em situações imprevistas.
 - Utilize vestuário adequado. Não utilize roupas largas nem jóias. Mantenha o cabelo, roupa e luvas afastados de peças em movimento.** Roupas largas, jóias ou cabelo comprido podem ser apanhados por partes móveis.
 - Se for prevista a montagem de dispositivos de extracção e recolha de pó, assegure-se de que estão ligados e que são utilizados de forma correcta.** A recolha das poeiras pode reduzir os riscos provocados por poeiras.
- #### 4. Utilização e manutenção da ferramenta eléctrica
- Não sobrecarregue a ferramenta eléctrica. Utilize a ferramenta eléctrica adequada para o trabalho pretendido.** A ferramenta eléctrica correcta realizará o trabalho de forma melhor e mais segura, com a potência com que foi concebida.
 - Não utilize a ferramenta eléctrica se o interruptor não puder ser ligado nem desligado.** Qualquer ferramenta eléctrica que não possa ser controlada com o interruptor é perigosa e terá de ser reparada.
 - Desligue a ficha da tomada e/ou a bateria da tomada antes de proceder a ajustes, trocar acessórios ou guardar ferramentas eléctricas.** Estas medidas de prevenção de segurança reduzem o risco de ligação inadvertida da ferramenta eléctrica.
 - Mantenha as ferramentas eléctricas que não**

estiverem a ser utilizadas fora do alcance de crianças. Não permita que a ferramenta eléctrica seja utilizada por pessoas não familiarizadas com a mesma ou que não tenham lido estas instruções. As ferramentas eléctricas são perigosas quando utilizadas por pessoas não qualificadas.

- e. **Efectue a manutenção das ferramentas eléctricas. Verifique se as partes móveis estão desalinhadas ou bloqueadas, se existem peças partidas ou qualquer outra situação que possa afectar o funcionamento das ferramentas eléctricas. As peças danificadas devem ser reparadas antes da utilização da ferramenta eléctrica.** Muitos acidentes são provocados por falta de manutenção das ferramentas eléctricas.
 - f. **Mantenha as ferramentas de corte sempre afiadas e limpas.** Ferramentas de corte com a manutenção adequada e extremidades afiadas bloqueiam com menos frequência e são mais fáceis de controlar.
 - g. **Utilize a ferramenta eléctrica, acessórios e peças de ferramenta de acordo com estas instruções, considerando as condições de trabalho e o tarefa a ser executada.** A utilização da ferramenta eléctrica para fins diferentes dos previstos pode resultar em situações perigosas.
5. **Reparação**
- a. **A sua ferramenta eléctrica só deverá ser reparada por pessoal qualificado, utilizando apenas peças sobressalentes originais.** Isso garante a manutenção da segurança da ferramenta eléctrica.

Avisos de segurança adicionais para ferramentas eléctricas



Atenção! Instruções de segurança para todas as serras

- ◆ **Segure a ferramenta eléctrica pelas áreas isoladas quando executar uma operação em que o acessório de corte possa entrar em contacto com a cablagem oculta.** O acessório de corte em contacto com um cabo "electrificado" poderá expor peças metálicas do sistema eléctrico da ferramenta e provocar um choque eléctrico ao operador.
- ◆ **Utilize grampos ou outro meio para fixar e apoiar a peça numa plataforma estável.** Se fixar a peça com a mão ou contra o seu corpo, a peça fica instável e pode dar origem à perda de controlo.
- ◆ **Mantenha as mãos afastadas da área de corte.** Nunca manuseie a parte inferior da peça de trabalho em circunstância alguma. Não introduza os dedos perto da lâmina correspondente e do grampo da lâmina. Não estabilize a serra agarrando o arrasto.
- ◆ **Mantenha as lâminas afiadas.** Lâminas embotadas ou danificadas podem desviar ou encravar a serra sob pressão. Utilize sempre o tipo apropriado de lâmina de serra para o material e tipo de corte.
- ◆ **Quando cortar tubos ou condutas, certifique-se de que estes não têm água, cablagem, etc.**
- ◆ **Não toque na peça ou na lâmina logo após a utilização**

da ferramenta. Estas podem estar muito quentes.

- ◆ **Tenha cuidado com os perigos escondidos, antes de cortar em paredes, tectos ou chão devido à localização de fios e tubos.**
- ◆ **A lâmina irá continuar a mover-se depois de desengatar o interruptor.** Desligue sempre a ferramenta e aguarde até que a lâmina da serra pare completamente antes de pousar a ferramenta.

Atenção! O contacto ou a inalação de poeiras originadas pelas aplicações de corte poderá colocar em perigo a saúde do operador ou das pessoas presentes. Utilize uma máscara especificamente concebida para protecção contra poeiras e vapores e certifique-se de que as pessoas perto da área de trabalho também estão protegidas.

- ◆ A utilização prevista para este aparelho está descrita no manual de instruções. A utilização de qualquer acessório ou a realização de qualquer operação com esta ferramenta que não se inclua no presente manual de instruções poderá representar um risco de ferimentos e/ou danos materiais.

Segurança de terceiros

- ◆ Este aparelho não deve ser utilizado por pessoas (incluindo crianças) que apresentem capacidades físicas, sensoriais ou mentais reduzidas ou que não possuam os conhecimentos e a experiência necessários, excepto se forem vigiadas e instruídas acerca da utilização do aparelho por uma pessoa responsável pela sua segurança.
- ◆ As crianças deverão ser vigiadas para que não mexam no aparelho.

Vibração

Os valores de emissão de vibração declarados na secção de dados técnicos e na declaração de conformidade foram medidos de acordo com o método de teste padrão fornecido pela norma EN 60745 e podem ser utilizados para comparar ferramentas. O valor de emissão de vibração declarado pode ainda ser utilizado numa avaliação preliminar de exposição.

Atenção! O valor de emissão de vibração durante a utilização real da ferramenta eléctrica pode ser diferente do valor declarado, dependendo da forma como a ferramenta é utilizada. O nível de vibração pode aumentar acima do nível indicado.

Quando avaliar a exposição da vibração para determinar as medidas de segurança exigidas pela norma 2002/44/CE para proteger pessoas que utilizem regularmente ferramentas eléctricas na sua actividade profissional, deve ser considerada uma estimativa de exposição de vibração, as actuais condições de utilização e o modo de utilização da ferramenta, incluindo ainda todas as partes do ciclo de funcionamento, como os períodos de inactividade e espera da ferramenta, para além do tempo de funcionamento.

Etiquetas na ferramenta

A ferramenta apresenta os seguintes símbolos:



Atenção! Para reduzir o risco de ferimentos, o utilizador deve ler o manual de instruções.

Segurança eléctrica



Esta ferramenta tem um isolamento duplo e, por isso, não é necessário um fio de terra. Verifique sempre se a tensão da fonte de alimentação corresponde à tensão indicada na placa de especificações.

- ◆ Se o cabo de alimentação estiver danificado, terá de ser substituído pelo fabricante ou por um centro de assistência autorizado BLACK+DECKER para evitar acidentes.

Características

Esta ferramenta inclui alguns ou todos os seguintes componentes.

1. Interruptor de velocidade variável (KS701E e KS701PE) ou interruptor para ligar/desligar (KS501)
2. Botão de bloqueio
3. Alavanca de fecho de lâminas de serra
4. Arrasto
5. Saída de extracção de poeiras (só KS701E e KS701PE)
6. Selector de curso de pêndulo (só KS701PE)

Montagem

Atenção! Antes de tentar executar qualquer uma das operações que se seguem, certifique-se de que a ferramenta está desligada e a lâmina de serra está parada. As lâminas de serra usadas poderão estar quentes.

Montagem da lâmina da serra (fig. A - KS701E e KS701PE)

- ◆ Segure a lâmina de serra (7) conforme indicado, com os dentes virados para a frente.
- ◆ Empurre a alavanca de fecho (3) para fora do arrasto (4).
- ◆ Insira a haste da lâmina de serra no porta-lâminas (8) o mais distante possível.
- ◆ Ajuste o rolo de suporte de lâminas de serra (17), conforme descrito em cima.
- ◆ Solte a alavanca de fecho (3).

Ajustar a lâmina de serra (fig. A - KS501)

- ◆ Antes de colocar ou remover a lâmina de serra (7), o rolo de suporte de lâminas de serra (17) deve ser ajustado à posição traseira para que não entre em contacto com a lâmina.
- ◆ Desaperte (não remova) os dois parafusos. (18).
- ◆ Segure a lâmina de serra (7) com os dentes virados para a frente.
- ◆ Insira a haste da lâmina de serra (7) no porta-lâminas (8), o mais distante possível.
- ◆ Aperte ligeiramente os dois parafusos (18) de forma alternada para posicionar a lâmina e, em seguida, aperte completamente os dois parafusos (18).
- ◆ Ajuste o rolo de suporte de lâminas de serra (17), conforme descrito em cima.

- ◆ Para remover a lâmina de serra (7), rode ambos os parafusos (18) uma volta no sentido inverso aos dos ponteiros do relógio.

Ligar um aspirador à ferramenta (fig. B - só KS701E e KS701PE).

- ◆ Faça deslizar Introduza o adaptador do aspirador (9) para a saída de extracção de poeiras (5).

Riscos residuais

Podem surgir riscos residuais adicionais durante a utilização da ferramenta que poderão não constar nos avisos de segurança incluídos. Estes riscos podem resultar de má utilização, uso prolongado, etc.

Mesmo com a aplicação dos regulamentos de segurança relevantes e com a implementação de dispositivos de segurança, alguns riscos residuais não podem ser evitados. Incluem:

- ◆ ferimentos causados pelo contacto com peças em rotação/movimento.
- ◆ ferimentos causados durante a troca de peças, lâminas ou acessórios.
- ◆ ferimentos causados pela utilização prolongada de uma ferramenta. Quando utilizar uma ferramenta por períodos prolongados, faça intervalos regulares.
- ◆ diminuição da audição.
- ◆ problemas de saúde causados pela inalação de poeiras resultantes da utilização da ferramenta (exemplo: trabalhos em madeira, especialmente carvalho, faia e MDF).

Utilização

Ajustar o arrasto para cortes em bisel (fig. C)

Atenção! Não utilize a ferramenta quando o arrasto estiver solto ou removido.

É possível definir o arrasto (4) para um ângulo do bisel esquerdo ou direito de 45°.

- ◆ Desaperte os parafusos. (10) Alguns modelos têm um parafuso.
- ◆ Puxe o arrasto (4) para a frente, rode-o para a esquerda ou para a direita e empurre-o novamente para trás, para a posição de 45°. (Só KS701E e KS701PE)
- ◆ Empurre o arrasto (4) para trás, rode-o para a direita e puxe-o novamente para trás, para a posição de 45°. (Só KS501)
- ◆ Aperte os parafusos.

Para redefinir o arrasto (4) para cortes 90°:

- ◆ Desaperte os parafusos. (10).
- ◆ Puxe o arrasto (4) para a frente, rode-o para o centro e empurre-o novamente para trás, para a posição de 0°.
- ◆ Aperte os parafusos.

Controlo de velocidade variável (só KS701E e KS701PE)

- ◆ Utilize uma velocidade rápida para madeira, média para alumínio e PVC e lenta para metais que não sejam alumínio.

Ligar e desligar

- ◆ Para ligar a ferramenta, prima o interruptor de velocidade variável (KS701E e KS701PE) ou o interruptor para ligar/desligar (KS501) (1). Nas unidades KS701E e KS107PE a velocidade depende de como pressiona o interruptor.

- ◆ Para uma operação contínua, prima o botão de bloqueio (2) e prima o interruptor de velocidade variável. Esta opção só está disponível na velocidade máxima.
- ◆ Para desligar a ferramenta, solte o interruptor de velocidade variável. Para desligar a ferramenta, quando estiver a executar uma operação contínua, prima o interruptor de velocidade variável ou para Ligar/desligar mais uma vez e solte-o.

Como utilizar a funcionalidade Sightline® (fig. D)

- ◆ Utilize um lápis para marcar a linha de corte.
- ◆ Posicione a serra eléctrica acima da linha (11).

A linha de corte pode ser seguida facilmente se a visualizar directamente acima da serra eléctrica.

Modo de corte (só KS701PE)

O curso ou a acção do pêndulo permitem um movimento de lâmina mais agressivo, sendo concebidos para o corte de materiais menos rígidos, como a madeira ou o plástico. Permite um corte mais rápido, mas com um corte menos suave ao longo do material. A serra eléctrica tem um selector de Curso do Pêndulo. A utilização deste selector é explicada na secção seguinte.

Nota: Nunca utilize a acção de pêndulo para cortar metal.

Selector de curso do pêndulo (fig. E - só KS701PE)

O KS701PE tem estes quatro modos de corte com níveis crescentes de acção do pêndulo:

- ◆ Posição 0: metal e folha de alumínio e metal (sem acção do pêndulo).
- ◆ Posição 1: para laminados, madeira dura, topos.
- ◆ Posição 2: para contraplacado e PVC/Plástico.
- ◆ Posição 3: para madeira macia e corte rápido

Para ajustar a acção do pêndulo:

- ◆ Rode o selector de Curso do Pêndulo (6) para a posição que pretende.

Serrar

Segure firmemente a ferramenta com ambas as mãos enquanto corta.

O arrasto (4) deve ser segurado com firmeza contra o material a ser cortado. Isto irá evitar que a serra salte, reduz a vibração e minimiza a quebra da lâmina.

- ◆ Deixe a lâmina a trabalhar livremente durante alguns segundos antes de começar a cortar.
- ◆ Exerça um ligeira pressão na ferramenta enquanto corta.

Sugestões para uma utilização ideal

Serrar laminados

Quando cortar laminados, poderão formar-se lascas que podem danificar a superfície de apresentação. As lâminas de serra mais comuns cortam em sentido ascendente; assim, se o arrasto estiver assente na superfície de apresentação, utilize uma lâmina de serra que corte em sentido descendente ou:

- ◆ Utilize uma lâmina de serra com dentes em bom estado.
- ◆ Serre a partir da superfície de fundo da peça.
- ◆ Para minimizar a ocorrência de lascas, coloque fragmentos de madeira ou painel duro em ambos os lados da peça e serre no meio deste painel composto.

Serrar metal

Atenção! Não utilize um aspirador quando cortar metais. As limalhas de metal estarão quentes e poderão causar um incêndio. Tenha em atenção que a serração de metal demora muito mais tempo do que a serração de madeira.

- ◆ Utilize uma lâmina de serra adequada para a serração de metal.
- ◆ Ao cortar folhas de metal finas, coloque fragmentos de madeira na superfície de fundo da peça e corte no meio deste painel composto.
- ◆ Espalhe uma camada fina de óleo ao longo da linha de corte pretendida.

Batente de corte (só KS701E e KS701PE)

É fácil executar cortes rectilíneos e circulares sem uma linha traçada a lápis com um batente de corte e uma guia de círculo (disponível como extra opcional - número de peça X43005-XJ).

Fixar o batente de corte (figs. F e G)

- ◆ Introduza o batente de corte (14) nas ranhuras do arrasto com a barra em cruz para baixo como indicado na figura F.
- ◆ Coloque o parafuso (15) no furo no fundo do arrasto.
- ◆ Alinhe o grampo da barra (16) sobre o parafuso com rebordo virado para baixo e apontando para a parte de trás da serra.
- ◆ Com uma chave de fendas phillips, coloque o parafuso no furo enroscado do grampo da barra como indicado na figura G.
- ◆ Ajuste à largura do corte e aperte o parafuso.

Cortes circulares (fig. H - só KS701E e KS701PE)

- ◆ Introduza o batente de corte na ranhura no lado direito do arrasto com a barra em cruz para cima.
- ◆ Ajuste o batente de corte para que a distância entre a lâmina e o furo na barra em cruz tenha o raio pretendido e aperte o parafuso.
- ◆ Coloque a serra de tal maneira que o centro do furo na barra em cruz fique sobre o centro do círculo a cortar (execute um corte por incisão, faça o furo para a lâmina ou corte para dentro a partir da extremidade do material para colocar a lâmina na posição).
- ◆ Quando a serra estiver correctamente posicionada, introduza um prego pequeno no furo da barra em cruz exactamente no centro do círculo a cortar.
- ◆ Com o batente de corte como braço pivot, comece a cortar o círculo.

Cortes por incisão (fig. I)

Um corte por incisão é um método fácil de fazer um corte interno. A serra pode ser introduzida directamente num painel ou numa placa sem primeiro perfurar uma guia ou um furo piloto. Nos cortes por incisão, meça a superfície a cortar e marque claramente com um lápis. Em seguida, incline a serra para a frente até a parte da frente do arrasto estar bem assente sobre a superfície de trabalho e a lâmina executa o trabalho com um movimento contínuo. Ligue a ferramenta e deixe-a atingir a velocidade máxima. Segure a serra com firmeza e baixe a extremidade posterior da ferramenta lentamente até a lâmina atingir a profundidade completa. Coloque o arrasto sobre a madeira e comece a cortar. Não remova a lâmina do corte enquanto ainda estiver em movimento. A lâmina tem de parar completamente.

Manutenção

A sua ferramenta BLACK+DECKER foi concebida para funcionar por um longo período de tempo com uma manutenção mínima. Um funcionamento contínuo e satisfatório depende de uma manutenção adequada e da limpeza regular da ferramenta.

- ◆ Limpe regularmente as aberturas de ventilação da ferramenta com uma escova suave ou um pano seco.
- ◆ Limpe regularmente o compartimento do motor com um pano húmido.

Não utilize nenhum produto de limpeza abrasivo ou à base de solvente.

Nunca deixe nenhum líquido entrar na ferramenta e nunca submerja nenhuma parte da ferramenta em líquido.

Substituição da ficha de alimentação (só Reino Unido e Irlanda)

Se for necessário instalar uma nova ficha de alimentação:

- ◆ Elimine com segurança a ficha antiga.
- ◆ Ligue o cabo castanho ao terminal electrificado na nova ficha.
- ◆ Ligue o cabo azul ao terminal neutro.

Atenção! Não é necessário efectuar qualquer ligação ao terminal de terra. Siga as instruções de montagem fornecidas e utilize fichas de boa qualidade. Fusível recomendado: 5 A.

Protecção do ambiente



Recolha separada. Este produto não pode ser eliminado juntamente com os resíduos domésticos normais.

Se, em algum momento, for necessário substituir este produto BLACK+DECKER ou se este deixar de ter utilidade, não elimine o produto num caixote do lixo. Este produto pode ser separado para reciclagem.



A recolha separada de produtos e embalagens usados permite que os materiais sejam reciclados e utilizados novamente.

A reutilização de materiais reciclados ajuda a evitar a poluição ambiental e reduz a procura de matérias-primas.

A legislação local poderá prever a recolha separada de produtos domésticos eléctricos, seja em lixeiras municipais ou através do revendedor quando adquire um produto novo.

A BLACK+DECKER dispõe de instalações para recolha e reciclagem de produtos BLACK+DECKER quando estes atingem o fim da vida útil. Para usufruir deste serviço, devolva o produto em qualquer agente de reparação autorizado, que os recolherá em seu nome.

Pode verificar a localização do agente de reparação autorizado mais perto de si, contactando os escritórios locais da BLACK+DECKER através do endereço indicado neste manual. Se preferir, poderá consultar na Internet uma lista de agentes de manutenção autorizados BLACK+DECKER, bem como os detalhes completos e contactos do serviço pós-venda, no endereço: www.2helpU.com

Dados técnicos

		KS501 (Tipo 1)
		KS701E/PE (Tipo 1)
Tensão de entrada		V _{ac} 230
Velocidade sem carga	(KS501) (KS701E e KS701PE)	min.-1 3,000 min.-1 0-3,000
Profundidade máxima de corte	(KS501)	mm 65
Madeira	(KS701E e KS701PE)	mm 70
		mm 5
Aço	(KS501)	mm 10
Alumínio	(KS701E e KS701PE)	mm 15
Peso	(KS501)	kg 1.3
	(KS701E)	kg 1.6
	(KS701PE)	kg 1.7

KS501

L_{PA} (pressão acústica) 85.5 dB(A), Imprecisão (K) 3 dB(A)

L_{WA} (potência acústica) 96.5 dB(A), Imprecisão (K) 3 dB(A)

Valores totais de vibração (soma de vectores triax) de acordo com a norma EN 60745:

Cortar tábuas (a_{h,B}) 9.3 m/s², imprecisão (K) 1.5 m/s²
Cortar folhas de metal (a_{h,M}) 12.6 m/s², imprecisão (K) 1.5 m/s²

KS701E

L_{PA} (pressão acústica) 88 dB(A), Imprecisão (K) 3 dB(A)

L_{WA} (potência acústica) 99 dB(A), Imprecisão (K) 3 dB(A)

Valores totais de vibração (soma de vectores triax) de acordo com a norma EN 60745:

Cortar tábuas (a_{h,B}) 5.8 m/s², imprecisão (K) 1.5 m/s²
Cortar folhas de metal (a_{h,M}) 6.3 m/s², imprecisão (K) 1.5 m/s²

KS701PE

L_{PA} (pressão acústica) 89 dB(A), Imprecisão (K) 3 dB(A)

L_{WA} (potência acústica) 100 dB(A), Imprecisão (K) 3 dB(A)

Valores totais de vibração (soma de vectores triax) de acordo com a norma EN 60745:

Cortar tábuas (a_{h,B}) 12.5 m/s², imprecisão (K) 1.5 m/s²
Cortar folhas de metal (a_{h,M}) 9.9 m/s², imprecisão (K) 1.5 m/s²

Declaração de conformidade CE

DIRECTIVA PARA MÁQUINAS



KS501 / KS701E / KS701PE

A Black & Decker declara que os produtos descritos em "dados técnicos" estão em conformidade com as seguintes normas:
2006/42/CE, EN 60745-1, EN 60745-2-11

Estes produtos estão também em conformidade com as Directivas 2014/30/UE e 2011/65/UE. Para obter mais informações, contacte a Black & Decker no endereço indicado ou consulte a parte posterior do manual.

O signatário é responsável pela compilação do ficheiro técnico e efectua esta declaração em nome da Black & Decker.

Ray Laverick
Director de Engenharia
Black & Decker Europe, 210 Bath Road, Slough,
Berkshire, SL1 34D,
Reino Unido
11/09/2014

Garantia

A Black & Decker confia na qualidade dos seus produtos e oferece uma garantia excelente. Esta declaração de garantia é um complemento dos seus direitos contratuais, não os prejudicando de forma alguma. A garantia é válida nos territórios dos Estados Membros da União Europeia e da Associação Europeia de Comércio Livre.

Se o seu produto Black & Decker avariar devido a defeitos de material ou fabrico, num período de 24 meses após a data da compra, a Black & Decker garante a substituição de todas as peças defeituosas, a reparação de produtos sujeitos a um desgaste aceitável ou a substituição dos mesmos para garantir o mínimo de inconvenientes ao cliente, excepto se:

- ◆ O produto tiver sido utilizado para fins comerciais, profissionais ou de aluguer.
- ◆ O produto tiver sido submetido a utilização indevida ou descuido.
- ◆ O produto tiver sido danificado por objectos estranhos, substâncias ou acidentes.
- ◆ tiverem sido tentadas reparações por pessoas que não sejam agentes de reparação autorizados ou técnicos de manutenção da Black & Decker.

Para accionar a garantia, terá de apresentar comprovativos de compra ao vendedor ou a um agente de reparação autorizado. Pode verificar a localização do agente de reparação autorizado mais perto de si, contactando os escritórios locais da Black & Decker através do endereço indicado neste manual. Se preferir, poderá consultar na Internet uma lista de agentes de manutenção autorizados Black & Decker, bem como os detalhes completos e contactos do serviço pós-venda, no endereço: www.2helpU.com

Visite o nosso website www.blackanddecker.pt para registar o novo produto BLACK+DECKER e manter-se actualizado relativamente a novos produtos e ofertas especiais. Pode encontrar mais informações sobre a marca BLACK+DECKER e a nossa gama de produtos em www.blackanddecker.eu.

Användningsområde

Din BLACK+DECKER-figursåg är avsedd för sågning i trä, metall och plast. Verktaget är endast avsett som konsumentverktyg.

Säkerhetsföreskrifter

Allmänna säkerhetsanvisningar för elverktyg



Varning! Läs alla säkerhetsföreskrifter och alla anvisningar. Fel som uppstår till följd av att säkerhetsföreskrifterna och anvisningarna nedan inte följts kan orsaka elstöt, brand och/eller allvarliga kroppsskador.

Spara alla säkerhetsföreskrifter och anvisningar för framtida bruk. Begreppet "elverktyg" nedan syftar på nätdrivna elverktyg (med nätsladd) och batteridrivna elverktyg (sladdlösa).

1. Säkerhet i arbetsområdet

- Håll arbetsområdet rent och väl upplyst.** Ordning och dålig belysning på arbetsplatsen kan leda till olyckor.
- För att undvika explosionsrisk bör du inte använda elverktaget i omgivning med brännbara vätskor, gaser eller damm.** Elverktyg alstrar gnistor som kan antända dammet eller gaserna.
- Håll barn och andra personer på betryggande avstånd när du använder elverktyg.** Om du störs kan du förlora kontrollen.

2. Elsäkerhet

- Elverktygets stickkontakt måste passa i eluttaget. Stickkontakten får absolut inte ändras. Använd inte adapterkontakter tillsammans med jordade elverktyg.** Med oförändrade stickkontakter och passande vägguttag minskar risken för elstöt.
- Undvik kroppskontakt med jordade ytor som t.ex. rör, värmelement, spisar och kylskåp.** Det finns en större risk för elstöt om din kropp är jordad.
- Skydda elverktaget mot regn och väta.** Om vatten tränger in i ett elverktyg ökar risken för elektriska stötter.
- Hantera inte nätsladden varsamt. Använd inte sladden för att bära eller dra elverktaget och inte heller för att dra ut kontakten ur vägguttaget. Håll nätsladden borta från värme, olja, skarpa kanter och rörliga maskindelar.** Risken att du får en elstöt är större om sladdarna är skadade eller tillrasslade.
- Använd endast förlängningssladdar som är godkända för utomhusbruk när du arbetar med elverktyg utomhus.** Om du använder en förlängningssladd som är avsedd för utomhusbruk minskar risken för att du ska få en elstöt.

- Om du måste använda ett elverktyg på en fuktig plats ska du använda jordfelsbrytare.** Jordfelsbrytaren minskar risken för elektriska stötter.

3. Personlig säkerhet

- Var uppmärksam, se på vad du gör och använd elverktaget med förnuft. Använd inte elverktaget när du är trött eller om du är påverkad av droger, alkohol eller mediciner.** Under användning av elverktyg kan även en kort uppmärksamhet leda till allvarliga kroppsskador.
- Använd skyddsutrustning. Bär alltid skyddsglasögon.** Den personliga skyddsutrustningen, t.ex. dammfiltermask, halkfria säkerhetsskor, hjälm och hörselskydd, minskar risken för kroppsskada när den används vid rätt tillfällen.
- Undvik oavsiktlig igångsättning. Kontrollera att strömbrytaren står i avstängt läge innan du ansluter verktaget till elnätet eller sätter i batteriet samt innan du tar upp eller bär verktaget.** Det kan vara mycket farligt att bära ett elverktyg med fingret på strömbrytaren eller koppla det till nätet respektive sätta i batteriet med strömbrytaren i till-läge.
- Ta bort alla inställningsverktyg och skruvnycklar innan du startar elverktaget.** Ett verktyg eller en nyckel i en roterande komponent kan medföra kroppsskada.
- Sträck dig inte för långt. Se till att du alltid har säkert fotfäste och balans.** På så sätt kan du lättare kontrollera elverktaget i oväntade situationer.
- Bär lämpliga kläder. Bär inte löst hängande kläder eller smycken. Håll undan hår, kläder och handskar från rörliga delar.** Löst hängande kläder, smycken och långt hår kan dras in av roterande delar.
- Om elverktaget har utrustning för dammsugning och -uppsamling ska du kontrollera att utrustningen är rätt monterad och används på korrekt sätt.** Utrustningen kan minska riskerna när damm bildas.

4. Bruk och skötsel av elverktyg

- Överbelasta inte elverktaget. Använd rätt elverktyg för det aktuella arbetet.** Med rätt elverktyg kan du arbeta bättre och säkrare med det som verktaget är avsett för.
- Använd inte elverktaget om det inte går att starta och stänga av det med strömbrytaren.** Ett elverktyg som inte kan startas och stängas av med strömbrytaren är farligt och måste repareras.
- Dra ut stickproppen ur vägguttaget och/eller ta ut batteriet ur elverktaget innan inställningar utförs, tillbehör byts eller elverktaget ställs undan.** Denna säkerhetsåtgärd förhindrar oavsiktlig start av elverktaget.
- Förvara elverktyg utom räckhåll för barn. Låt inte elverktaget användas av personer som inte är vana vid det, eller som inte läst denna bruksanvisning.** Elverktyg är farliga om de används av oerfarna personer.

- e. **Sköt elverktyget omsorgsfullt. Kontrollera att rörliga komponenter fungerar felfritt och inte kärvar, att komponenter inte gått sönder eller skadats och inget annat föreligger som kan påverka elverktygets funktion. Om elverktyget är skadat ska du se till att få det reparerat innan det används.** Många olyckor orsakas av dåligt skötta elverktyg.
- f. **Håll skärverktyg vassa och rena.** Omsorgsfullt skötta skärverktyg med skarp egg fastnar inte så lätt och går lättare att styra.
- g. **Använd elverktyget, tillbehör, insatsverktyg osv. enligt dessa anvisningar och på sätt som föreskrivits för aktuell verktygsmodell. Ta hänsyn till arbetsvillkoren och arbetsmomenten.** Om elverktyget används på icke ändamålsenligt sätt kan farliga situationer uppstå.
5. **Service**
- a. **Elverktyget ska bara repareras av utbildade reparatörer och med originalreservdelar.** Detta säkerställer att elverktyget förblir säkert.

Ytterligare säkerhetsanvisningar för elverktyg



Varning! Säkerhetsinstruktioner för alla sågar

- ◆ **Håll verktyget i de isolerade greppytorna vid arbete där bladet riskerar att komma i kontakt med dolda elledningar.** Om bladet går igenom en strömförande ledning kan verktygets metalldelar bli strömförande och ge dig en elektrisk stöt.
- ◆ **Fäst arbetsstycket vid ett stabilt underlag med tvingar eller på något annat lämpligt sätt.** Om du håller fast arbetsstycket med handen eller trycker det mot kroppen blir det instabilt och du kan förlora kontrollen.
- ◆ **Håll händerna borta från arbetsområdet.** Sträck aldrig in händerna under arbetsstycket. Undvik att ha fingrarna i närheten av det pendlande sågbladet och bladklämman. Undvik att stabilisera sågen genom att hålla i sågskon.
- ◆ **Håll sågbladen skarpa.** Slöa eller skadade sågblad kan orsaka att sågen kommer i svängning eller stannar helt när den belastas. Använd alltid en typ av sågblad som är lämplig för det material du ska såga i och för hur du ska såga.
- ◆ **Vid sågning i rör och liknande ska du kontrollera att de inte innehåller vatten, elledningar osv.**
- ◆ **Undvik att vidröra arbetsstycket eller sågbladet direkt efter sågning.** De kan bli mycket varma.
- ◆ **Var uppmärksam på dolda faror innan du sågar i väggar, golv eller tak; kontrollera om det finns rör eller elledningar.**
- ◆ **Sågbladet fortsätter att röra sig en kort stund efter att du har släppt strömbrytaren.** Stäng alltid av verktyget och vänta tills sågbladet har stannat helt innan du lägger det ifrån dig.

Varning! Sågning ger upphov till damm som kan skada den som använder verktyget och andra i närheten vid kontakt eller inandning. Använd en specialkonstruerad ansiktsmask som skyddar mot damm och ångor och se till att personer som vistas inom eller i närheten av arbetsområdet också är skyddade.

- ◆ Användningsområdet beskrivs i den här bruksanvisningen. Om andra tillbehör eller tillsatser används, eller om någon annan åtgärd än de som rekommenderas i den här bruksanvisningen utförs med verktyget kan personer och eller egendom ta skada.

Säkerhet för andra

- ◆ Verktyget ska inte användas av personer (inklusive barn) med nedsatt fysisk eller mental förmåga eller bristande erfarenhet och kunskap om de inte får vägledning och övervakas av en person som ansvarar för deras säkerhet.
- ◆ Barn ska hållas under uppsikt så att de inte leker med verktyget.

Vibrationer

De vibrationsvärden som anges i avsnitten Tekniska data och EG-deklarationen om överensstämmelse har uppmätts i enlighet med en standardtestmetod föreskriven i EN 60745 och kan användas för jämförelse med andra verktyg. Det angivna vibrationsvärdet kan även användas för en preliminär bedömning av exponeringen.

Varning! Vibrationsvärdet under faktisk användning av elverktyget kan skilja sig från det uppgivna värdet beroende på hur verktyget används. Vibrationsnivån kan överstiga den uppgivna nivån.

Vid uppskattning av vibrationsexponering i syfte att bedöma vilka säkerhetsåtgärder som är nödvändiga enligt 2002/44/EG för att skydda personer som regelbundet använder elverktyg i arbetet ska man utgå från de faktiska omständigheter under vilka elverktyget används och sättet på vilket det används. Bedömningen ska även ta hänsyn till alla moment i arbetscykeln, t.ex. när verktyget är avstängt och när det går på tomgång såväl som när det faktiskt används.

Märkning på apparaten

Följande symboler finns på verktyget:



Varning! Läs bruksanvisningen före användning för att minska risken för olyckor.

Elsäkerhet



Eftersom verktyget är dubbelisolerat behövs ingen jordledning. Kontrollera alltid att nätspänningen överensstämmer med värdet på typskylten.

- ◆ Om nätsladden är skadad måste den bytas ut av tillverkaren eller en auktoriserad BLACK+DECKER-verkstad för att undvika fara.

Funktioner

Det här verktyget har några eller samtliga av följande funktioner.

1. Strömbrytare med variabel hastighet (KS701E och KS701PE) eller på/av-strömbrytare (KS501).
2. Låsknapp
3. Låsspak för sågblad
4. Sågsko
5. Dammuppsugningshål (endast KS701E och KS701PE)
6. Väljare för pendelsågrörelse (endast KS701PE)

Montering

Varning! Innan du gör något av nedanstående ska du kontrollera att verktyget är avstängt, att sågbladet är orörligt och att sladden inte sitter i. Ett sågblad som nyligen har använts kan vara hett.

Montera sågbladet (fig. A – KS701E och KS701PE)

- ◆ Håll sågbladet (7) som bilden visar med tänderna framåt.
- ◆ Tryck sågskons låsspak (3) bort från sågskon (4).
- ◆ Tryck in sågbladets skaft så långt som möjligt i bladhållaren (8).
- ◆ Justera sågbladets stödrulle (17) enligt beskrivningen ovan.
- ◆ Släpp låsspaken (3).

Montera sågbladet (fig. A – KS501)

- ◆ Innan du monterar eller tar bort sågbladet (7) måste stödrullen (17) justeras bakåt, så att den inte vidrör bladet.
- ◆ Lossa (men ta inte bort) de två skruvarna (18).
- ◆ Håll sågbladet (7) med tänderna framåt.
- ◆ Tryck in sågbladets (7) skaft så långt som möjligt i bladhållaren (8).
- ◆ Dra åt de två skruvarna (18) lite grand växelvis så att bladet hamnar i rätt läge, och dra sedan åt skruvarna (18) helt.
- ◆ Justera sågbladets stödrulle (17) enligt beskrivningen ovan.
- ◆ Ta loss sågbladet (7) genom att vrida båda skruvarna (18) ett varv moturs.

Ansluta en dammsugare till verktyget (fig. B - endast KS701E och KS701PE).

- ◆ Skjut in dammsugarmunstycket (9) i dammuppsugningshålet (5).

Övriga risker

Ytterligare risker som inte finns med i de bifogade säkerhetsföreskrifterna kan uppstå när verktyget används. Dessa risker kan uppstå vid felaktig eller långvarig användning, etc.

Även om alla relevanta säkerhetsföreskrifter följs och säkerhetsanordningar används kan vissa ytterligare risker inte undvikas. Dessa innefattar:

- ◆ Skador orsakade av att roterande/rörliga delar vidrörs.
- ◆ Skador som uppstår vid byte av delar, blad eller tillbehör.
- ◆ Skador som orsakas av långvarig användning av ett verktyg. Se till att ta regelbundna raster när du använder ett verktyg under en längre period.
- ◆ Skador på hörseln.
- ◆ Hälsorisker orsakade av inandning av damm när redskapet används (exempel: arbete med trä, särskilt ek, bok och MDF).

Användning

Justera sågskon för vinkelsågning (fig. C)

Varning! Använd aldrig verktyget om sågskon är lös eller borttagen.

Sågskon (4) kan vinklas upp till 45° åt vänster eller höger.

- ◆ Lossa på skruvarna (10). En del modeller har en skruv.
- ◆ För sågskon (4) framåt, vrid den åt vänster eller höger och för tillbaka den till 45°-läget. (endast KS701E och KS701PE)
- ◆ Tryck sågskon (4) bakåt, vrid den åt höger och dra tillbaka den till 45°-läget. (endast KS501)
- ◆ Dra åt skruvarna.

Så här återställer du sågskon (4) för sågning i 90°:

- ◆ Lossa på skruvarna (10).
- ◆ Dra sågskon (4) framåt, vrid den till mittenläget och tryck tillbaka den till 0°-läget.
- ◆ Dra åt skruvarna.

Variierbar hastighetskontroll (endast KS701E och KS701PE)

- ◆ Välj hög hastighet för trä, medelhög för aluminium och plast och låg hastighet för andra metaller än aluminium.

Slå på och av

- ◆ Starta verktyget genom att trycka på strömbrytaren för variabel hastighet (KS701E och KS701PE) eller på/av-strömbrytaren (KS501) (1). På KS701E och KS701PE beror hastigheten på hur långt du trycker strömbrytaren.

- ◆ Tryck in låsknappen (2) och tryck på strömbrytaren för variabel hastighet om du vill köra kontinuerligt. Det går bara att göra vid maximal hastighet.
- ◆ Slå av verktyget genom att släppa strömbrytaren för variabel hastighet. Vid kontinuerlig körning stänger du av verktyget genom att trycka in och släppa strömbrytaren för variabel hastighet eller på/av-strömbrytaren en gång till.

Använda funktionen Sightline® (fig. D)

- ◆ Märk ut såglinjen med en blyertspenna.
- ◆ Placera sågen över linjen (11).

Det är enkelt att följa såglinjen om du håller huvudet rakt ovanför sågen.

Sågläge (endast KS701PE)

Pendelsågrörelsen innebär en mer aggressiv bladrotation och är avsedd för sågning i mjuka material som trä eller plast. Det ger snabbare sågning, men snittet blir inte lika fint. Sågen har en väljare för pendelsågrörelse. Hur du ställer in väljaren beskrivs i nästa avsnitt.

Obs! Använd aldrig pendelsågrörelsen för att såga i metall.

Väljare för pendelsågrörelse (fig. E – endast KS701PE)

KS701PE har dessa fyra såglägen med olika mycket pendelrörelse:

- ◆ Läge 0: metall, aluminium och plåt (ingen pendelrörelse).
- ◆ Läge 1: laminat, hårträ, bänkskivor.
- ◆ Läge 2: plywood och PVC/plast.
- ◆ Läge 3: mjukt trä och snabbsågning

Justera pendelrörelsen:

- ◆ Vrid väljaren för pendelrörelsen (6) i önskat läge.

Sågning

Håll sågen stadigt med båda händerna när du sågar. Sågskon (4) ska tryckas ordentligt mot materialet som sågas. Detta motverkar att sågen hoppar, minskar vibrationerna och minskar risken för att sågbladet går av.

- ◆ Låt sågbladet gå i några sekunder innan du börjar såga.
- ◆ Tryck bara försiktigt på sågen medan du sågar.

Tips för optimal användning

Såga i laminat

Vid sågning i laminat kan arbetsstycket flisa sig, vilket kan skada snittytan. De vanligaste sågbladen sågar i den uppåtgående rörelsen, så om sågfoten vilar mot arbetsstycket bör du använda ett sågblad som sågar i den nedåtgående rörelsen eller:

- ◆ Använda ett fintandat sågblad.
- ◆ Vända arbetsmaterialets undersida uppåt när du sågar.

- ◆ Minska risken för flisor genom att tvinga fast en överbliven träbit eller hård träfiberskiva på båda sidor av arbetsmaterialet och såga genom alltihop som en dubbelsmörgås.

Såga i metall

Varning! Använd inte dammsugare när du sågar i metall. Metallspånen är heta och kan orsaka brand.

Tänk på att det tar mycket längre tid att såga i metall än i trä.

- ◆ Välj ett sågblad som lämpar sig för metallsågning.
- ◆ Vid sågning av tunn metallplåt tvingar du fast en överbliven träbit på arbetsmaterialets undersida och sågar genom båda lagren som en dubbelsmörgås.
- ◆ Smörj såglinjen med olja innan du sågar.

Anhåll (endast KS701E och KS701PE)

Klyv- och cirkelsågning utan pennstreck blir enkelt med anhåll och cirkelanslag (finns som tillval – artikelnummer X43005-XJ).

Montera anhåll (figs. F och G)

- ◆ För in anhållet (14) i spåren på sågskon med tvärstaget nedåt som figur F visar.
- ◆ Placera skruven (15) i hålet i botten på sågskon.
- ◆ Rikta in fäststycket (16) över skruven med läppen nedåt och i riktning mot sågens bakre del.
- ◆ Använd en stjärnskruvmejsel för att skruva in skruven i det gängade hålet i fäststycket som figur G visar.
- ◆ Justera till rätt sågbredd och dra åt skruven.

Cirkelsågning (fig. H – endast KS701E och KS701PE)

- ◆ För in anhållet i spåret på sågskons högra sida med tvärstaget uppåt.
- ◆ Justera anhållet så att avståndet från bladet till hålet i tvärstaget utgör den önskade radien och dra åt skruven.
- ◆ Placera sågen så att mitten på hålet i tvärstaget befinner sig över centrum på den cirkel som ska sågas (gör en instickssågning, borra hål för bladet eller såga inåt från kanten på materialet för att få bladet i rätt läge).
- ◆ När sågen är rätt placerad sticker du en liten spik genom hålet i tvärstaget och exakt in i mitten på den cirkel som ska sågas.
- ◆ Med anhållet som passare börjar du såga i cirkel.

Instickssågning (fig. I)

Instickssågning är ett enkelt sätt att göra en invändig sågning. Sågen kan föras in i en panel eller skiva utan att du först borrar ett hål. Vid instickssågning mäter du upp den yta som ska sågas och markerar den tydligt med en penna. Vinkla sedan sågen framåt tills sågskons främre del ligger stadigt an mot

arbetsytan och bladet är i sitt yttersta läge. Slå på verktyget och låt det uppnå maximal hastighet. Håll sågen stadigt och sänk sakta bakre delen av verktyget tills bladet når fullt djup. Håll sågskon platt mot träet och börja såga. Ta inte ut bladet från snittet medan det fortfarande rör sig. Bladet måste stanna helt.

Underhåll

Detta BLACK+DECKER-verktyg har tillverkats för att fungera under lång tid med ett minimum av underhåll. Med rätt underhåll och regelbunden rengöring behåller verktyget sina prestanda.

- ◆ Rengör regelbundet apparatens luftintag med en mjuk borste eller torr trasa.
- ◆ Rengör motorkåpan regelbundet med en fuktig trasa. Använd inte rengöringsprodukter som innehåller slip- eller lösningsmedel. Låt aldrig någon vätska komma in i verktyget och doppa det inte i någon vätska.

Byte av nätkontakt (endast Storbritannien och Irland)

Byt kontakten på följande sätt:

- ◆ Gör dig av med den gamla kontakten på lämpligt sätt.
- ◆ Anslut den bruna ledningen till den strömförande anslutningen i den nya kontakten.
- ◆ Anslut den blå ledningen till den icke strömförande anslutningen.

Varning! Anslut inte till jordanslutningen. Följ monteringsanvisningarna som medföljer kontakter av god kvalitet. Rekommenderad säkring: 5 A.

Skydda miljön



Separat insamling. Produkten får inte kastas i hushållssoporna.

Tänk på miljön när du slänger denna BLACK+DECKER-produkt. Släng den inte tillsammans med hushållsavfallet. Lämna produkten för separat insamling.



Insamling av uttjänta produkter och förpackningsmaterial gör att material kan återanvändas. Användning av återvunnet material minskar föroreningar av miljön och behovet av råmaterial.

Lokala föreskrifter kan kräva separat insamling av elprodukter från hushållen, vid kommunala insamlingsplatser eller hos återförsäljaren när du köper en ny produkt.

BLACK+DECKER samlar in och återvinner uttjänta BLACK+DECKER-produkter. Om du vill utnyttja denna tjänst återlämnar du produkten till en auktoriserad verkstad, som samlar in den för vår räkning.

För information om närmaste auktoriserade verkstad, kontakta det lokala BLACK+DECKER-kontoret på den adress som är angiven i bruksanvisningen. En lista över alla auktoriserade BLACK+DECKER-verkstäder samt fullständiga servicevillkor och kontaktuppgifter finns på Internet: www.2helpU.com

Tekniska data

		KS501 (typ 1)	KS701E/PE (typ 1)
Inspänning		V_{ac}	230
Tomgångshastighet	(KS501)	min^{-1}	3,000
	(KS701E och KS701PE)	min^{-1}	0-3,000
Maximalt			
sågningsdjup	(KS501)	mm	65
Trä	(KS701E och KS701PE)	mm	70
		mm	5
Stål	(KS501)	mm	10
Aluminium	(KS701E och KS701PE)	mm	15
Vikt	(KS501)	kg	1.3
	(KS701E)	kg	1.6
	(KS701PE)	kg	1.7

KS501

L_{PA} (ljudnivå) 85.5 dB(A), osäkerhet (K) 3 dB(A)

L_{WA} (ljudeffekt) 96.5 dB(A), osäkerhet (K) 3 dB(A)

Totala vibrationsvärden (vektorsumman av tre axlar) enligt EN 60745:

Skivsågning ($a_{h,B}$) 9.3 m/s^2 , osäkerhet (K) 1.5 m/s^2

Plåtsågning ($a_{h,M}$) 12.6 m/s^2 , osäkerhet (K) 1.5 m/s^2

KS701E

L_{PA} (ljudnivå) 88 dB(A), osäkerhet (K) 3 dB(A)

L_{WA} (ljudeffekt) 99 dB(A), osäkerhet (K) 3 dB(A)

Totala vibrationsvärden (vektorsumman av tre axlar) enligt EN 60745:

Skivsågning ($a_{h,B}$) 5.8 m/s^2 , osäkerhet (K) 1.5 m/s^2

Plåtsågning ($a_{h,M}$) 6.3 m/s^2 , osäkerhet (K) 1.5 m/s^2

KS701PE

L_{PA} (ljudnivå) 89 dB(A), osäkerhet (K) 3 dB(A)

L_{WA} (ljudeffekt) 100 dB(A), osäkerhet (K) 3 dB(A)

Totala vibrationsvärden (vektorsumman av tre axlar) enligt EN 60745:

Skivsågning ($a_{h,B}$) 12.5 m/s^2 , osäkerhet (K) 1.5 m/s^2

Plåtsågning ($a_{h,M}$) 9.7 m/s^2 , osäkerhet (K) 1.5 m/s^2

EG-deklaration om överensstämmelse

MASKINDIREKTIV



KS501 / KS701E / KS701PE

Black & Decker garanterar att produkterna som beskrivs under "Tekniska data" uppfyller:

2006/42/EG, EN 60745-1, EN 60745-2-11

De här produkterna överensstämmer även med direktiven 2014/30/EU och 2011/65/EU. Mer information får du genom att kontakta Black & Decker på följande adress eller titta i slutet av bruksanvisningen.

Undertecknad är ansvarig för sammanställningen av tekniska data och gör denna försäkran för Black & Deckers räkning.

Ray Laverick
Engineering Manager
Black & Decker Europe, 210 Bath Road, Slough,
Berkshire, SL1 34D,
Storbritannien
11/09/2014

Garanti

Black & Decker garanterar att produkten är fri från material- och/eller fabriktionsfel vid leverans till kund. Garantin gäller utöver dina rättigheter enligt kontrakt och påverkar inte dessa. Garantin gäller inom medlemsstaterna i Europeiska Unionen och i det Europeiska Frihandelsområdet.

Om din Black & Decker-produkt går sönder på grund av material- eller fabriktionsfel inom 24 månader från köpet, åtar sig Black & Decker att reparera eller byta ut produkten med minsta besvär för kunden, förutom om:

- ◆ Produkten har använts i kommersiellt, yrkesmässigt eller uthyrningssyfte.
- ◆ Produkten har utsatts för felaktig användning eller skötsel.
- ◆ Produkten har skadats av främmande föremål eller ämnen eller genom olyckshändelse.
- ◆ Reparation har utförts av någon annan än en auktoriserad Black & Decker-verkstad.

Vid garantianspråk ska produkten och inköpskvittot lämnas till återförsäljaren eller till en auktoriserad verkstad. För information om närmaste auktoriserade verkstad, kontakta det lokala Black & Decker-kontoret på den adress som är angiven i bruksanvisningen. En lista över alla auktoriserade Black & Decker-verkstäder samt fullständiga servicevillkor och kontaktuppgifter finns på Internet: www.2helpU.com

Besök vår webbplats www.blackanddecker.se för att registrera din nya BLACK+DECKER-produkt samt för att erhålla information om nya produkter och specialerbjudanden. Mer information om BLACK+DECKER och vårt produktsortiment finns på www.blackanddecker.eu.

Bruksområde

Stikksagen fra BLACK+DECKER er konstruert for saging av treverk, plast og metall. Verktøyet er beregnet bare som konsumentverktøy.

Sikkerhetsinstruksjoner

Generelle sikkerhetsadvarsler for elektroverktøy



Advarsel! Les alle sikkerhetsadvarsler og alle instruksjoner. Hvis advarslene og anvisningene nedenfor ikke overholdes, kan det medføre elektrisk støt, brann og/eller alvorlige personskader.

Ta vare på alle advarsler og instruksjoner for fremtidig bruk. Begrepet "elektroverktøy" i advarslene nedenfor gjelder nettdrevet elektroverktøy (med ledning) eller batteridrevet elektroverktøy (uten ledning).

1. Sikkerhet i arbeidsområdet

- Hold arbeidsområdet rent og godt opplyst.** Rotete eller mørke områder fører lett til ulykker.
- Ikke arbeid med elektroverktøy i eksplosjonsfarlige omgivelser – der det befinner seg brennbare væsker, gass eller støv.** Elektroverktøy forårsaker gnister som kan antenne støv eller gass/damp.
- Hold barn og andre personer unna når du bruker et elektroverktøy.** Hvis du blir forstyrret under arbeidet, kan du miste kontrollen.

2. Elektrisk sikkerhet

- Støpselet til elektroverktøy må passe i stikkkontakten. Støpselet må ikke forandres på noen som helst måte. Ikke bruk adapterstøpsler sammen med jordede elektroverktøy.** Bruk av originale støpsler og passende stikkontakter reduserer risikoen for elektrisk støt.
- Unngå kroppskontakt med jordede overflater som rør, radiatorer, komfyrer og kjøleskap.** Det er større fare for elektrisk støt dersom kroppen din er jordet.
- Hold elektroverktøy unna regn eller fuktighet.** Dersom det kommer vann i et elektroverktøy, øker faren for elektrisk støt.
- Unngå uforvarlig behandling av ledningen. Bruk aldri ledningen til å bære eller trekke elektroverktøyet eller til å trekke ut støpselet. Hold ledningen unna varme, olje, skarpe kanter eller bevegelige deler.** Skadde eller sammenflokede ledninger øker risikoen for elektrisk støt.
- Når du bruker et elektroverktøy utendørs, må du bruke en skjøteledning som er egnet for utendørs bruk.** Når du bruker en skjøteledning som er egnet for utendørs bruk, reduseres risikoen for elektrisk støt.
- Hvis du ikke kan unngå å bruke et elektroverktøy på et fuktig sted, bruker du strømforsyning som er beskyttet med jordfeilbryter.** Bruk av jordfeilbryter reduserer risikoen for elektrisk støt.

3. Personikkerhet

- Vær oppmerksom, pass på hva du gjør, og vis fornuft når du arbeider med et elektroverktøy. Ikke bruk elektroverktøy når du er trett eller er påvirket av narkotika, alkohol eller medikamenter.** Et øyeblikks uoppmerksomhet under bruk av verktøyet kan føre til alvorlige personskader.
 - Bruk personlig verneutstyr. Bruk alltid vernebriller.** Bruk av personlig verneutstyr, for eksempel støvmaske, sklislire vernesko, hjelm eller hørselvern som passer til forholdene, reduserer risikoen for personskader.
 - Forhindre utilsiktet start. Kontroller at bryteren står i posisjon "av" før du kobler til strømkilden og/eller batteripakken, og før du tar opp eller bærer verktøyet.** Det kan føre til ulykker hvis du bærer elektroverktøyet med fingern på bryteren, eller setter strøm på verktøyet når bryteren står på.
 - Fjern eventuelle innstillingsverktøy eller skruverktøy før du slår på elektroverktøyet.** Et skruverktøy eller en nøkkel som fortsatt er festet til en roterende del av elektroverktøyet, kan føre til personskaade.
 - Ikke strekk deg for langt. Pass på at du alltid har sikkert fotfeste og god balanse.** Da kan du kontrollere elektroverktøyet bedre i uventede situasjoner.
 - Bruk egnete klær. Ikke bruk løstsittende klær eller smykker. Hold hår, klær og hansker unna bevegelige deler.** Løstsittende tøy, smykker eller langt hår kan bli sittende fast i bevegelige deler.
 - Hvis det kan monteres støvavsug- og oppsamlingsinnretninger, må du forvise deg om at disse er tilkoblet og brukes på riktig måte.** Bruk av støvoppsamling kan redusere faren i forbindelse med støv.
- #### 4. Bruk og behandling av elektroverktøy
- Ikke bruk makt på elektroverktøyet. Bruk riktig elektroverktøy for bruksområdet.** Med et passende elektroverktøy arbeider du bedre og sikrere med den farten det er beregnet for.
 - Ikke bruk elektroverktøyet hvis du ikke kan slå det på og av med bryteren.** Et elektroverktøy som ikke kan kontrolleres med bryteren, er farlig og må repareres.
 - Trekk støpselet ut av stikkkontakten og/eller koble fra batteripakken på elektroverktøyet før du utfører innstillinger, bytter tilbehør eller legger elektroverktøyet bort.** Disse forebyggende sikkerhetstiltakene reduserer risikoen for utilsiktet start av elektroverktøyet.
 - Elektroverktøy som ikke er i bruk, må oppbevares utilgjengelig for barn. Ikke la verktøyet bli brukt av personer som ikke er fortrolig med det, eller som ikke har lest denne bruksanvisningen.** Elektroverktøy er farlige når de brukes av uerfarne personer.

- e. **Sørg for vedlikehold av elektroverktøy. Undersøk om bevegelige deler er feiljustert eller blokkert, om deler er skadet, og om det er andre forhold som kan påvirke elektroverktøyet funksjon. Hvis elektroverktøyet er skadet, må det repareres før bruk.** Dårlig vedlikeholdt elektroverktøy er årsaken til mange ulykker.
- f. **Hold skjæreverktøy skarpe og rene.** Godt vedlikeholdte skjæreverktøy med skarpe egger setter seg ikke så ofte fast og er lettere å føre.
- g. **Bruk elektroverktøy, tilbehør, bits osv. i henhold til disse instruksjonene. Ta hensyn til arbeidsforholdene og arbeidet som skal utføres.** Bruk av elektroverktøy til andre formål enn det som er angitt, kan føre til farlige situasjoner.
5. **Service**
- a. **Elektroverktøy skal alltid repareres av kvalifisert personell og bare med originale reservedeler.** Dette sikrer at elektroverktøyet sikkerhet opprettholdes.

Ytterligere sikkerhetsadvarsler for elektroverktøy



Advarsel! Sikkerhetsinstrukser for alle sager

- ◆ **Hold elektroverktøyet i de isolerte grepene når du utfører et arbeid hvor skjæretilbehøret kan komme i kontakt med skjulte ledninger.** Hvis skjæretilbehøret kommer i kontakt med en strømførende ledning, kan frittliggende metalldele på verktøyet bli strømførende, og brukeren kan få elektrisk støt.
- ◆ **Bruk klemmer eller andre praktiske metoder for å spenne fast og støtte arbeidsstykket på en stabil plattform.** Hvis arbeidsstykket holdes med hånden eller inn mot kroppen, vil det være ustabil, og dette kan lett føre til at du mister kontrollen.
- ◆ **Hold hendene borte fra skjærområdet.** Du må aldri gripe under arbeidsstykket av noen som helst årsak. Du må ikke føre fingrene eller tomlene inn i nærheten av bladfestet eller bladet som går frem og tilbake. Ikke stabiliser sagen ved å ta tak i foten.
- ◆ **Hold bladene skarpe.** Sløve eller skadde sagblader kan få sagen til å bøye av eller stanse under press. Bruk alltid sagblader som egner seg for arbeidsstykkets materiale og den type saging det er snakk om.
- ◆ **Når du sager rør eller kanaler, må du kontrollere at de er fri for vann, elektriske ledninger osv.**
- ◆ **Ikke berør arbeidsstykket eller sagbladet straks etter at du har brukt verktøyet.** De kan bli svært varme.
- ◆ **Vær oppmerksom på skjulte farer før du sager i vegger, gulv eller tak.** Lokaliser eventuelle kabler og rør.
- ◆ **Sagbladet vil fortsatt være i bevegelse etter at bryteren slippes løs.** Slå alltid verktøyet av, og vent til sagbladet stanser helt, før du setter verktøyet ned.

Advarsel! Kontakt med eller inhalering av støv som oppstår ved skjæring, kan være helseskadelig for operatøren og eventuelle tilskuere. Bruk en spesialmaske som verner mot støv og damp, og pass på at andre som oppholder seg eller kommer inn i området der du arbeider, også beskyttes seg.

- ◆ Beregnet bruk er beskrevet i denne håndboken. Bruk av tilbehør eller utføring av oppgaver som ikke er anbefalt for verktøyet i denne håndboken, kan medføre fare for personskade og/eller skade på eiendom.

Andre personers sikkerhet

- ◆ Det er ikke meningen at dette verktøyet skal brukes av personer (inkludert barn) med reduserte fysiske, sansemessige eller mentale evner, eller som mangler erfaring og kunnskap, med mindre de har fått oppfølging eller instruksjon når det gjelder bruken av apparatet, fra en person som er ansvarlig for deres sikkerhet.
- ◆ Barn skal være under oppsyn så du er sikker på at de ikke leker med produktet.

Vibrasjon

Vibrasjonsemisjonsverdien som er angitt under tekniske data og samsvarserklæring, er blitt målt i henhold til en standard testmetode som er angitt i EN 60745, og kan brukes til å sammenligne et verktøy med et annet. Den oppgitte vibrasjonsemisjonsverdien kan også brukes til en foreløpig vurdering av eksponering.

Advarsel! Vibrasjonsemisjonsverdien under faktisk bruk av elektroverktøyet kan avvike fra den oppgitte verdien avhengig av måten verktøyet blir brukt på. Vibrasjonsnivået kan øke over nivået som er oppgitt.

Når man vurderer vibrasjonseksponering for å bestemme sikkerhetstiltak som kreves i 2002/44/EF, for å beskytte personer som bruker elektroverktøy regelmessig i arbeidet, skal man når man anslår vibrasjonseksponeringen, ta hensyn til de faktiske bruksforholdene og måten verktøyet blir brukt på, inkludert hensyn til alle deler av brukssyklusen – også de gangene verktøyet slås av, og når det går på tomgang, i tillegg til tiden utløseren er inne.

Merking på verktøyet

Følgende symboler vises på verktøyet:



Advarsel! Brukeren må lese håndboken for å redusere risikoen for personskade.

Elektrisk sikkerhet



Dette apparatet er dobbeltisolert. Jording er derfor ikke nødvendig. Kontroller alltid at nettspenning er i overensstemmelse med spenningen på typeskiltet.

- ◆ Hvis strømledningen blir skadet, må den byttes av produsenten eller et autorisert BLACK+DECKER-servicesenter for å unngå fare.

Funksjoner

Dette verktøyet har noen av eller alle funksjonene nedenfor.

1. Bryter for variabel hastighet (KS701E og KS701PE) eller på/av-bryter (KS501)
2. Låseknapp
3. Låsespak for sagblad
4. Fotplate
5. Støvvavtreksutløp (kun KS701E og KS701PE)
6. Bryter for pendelbevegelse (kun KS701PE)

Montering

Advarsel! Før du utfører noen av fremgangsmåtene nedenfor, må du sikre for at verktøyet er slått av, kontakten pluggert ut og sagbladet har stoppet. Brukte sagblad kan være varme.

Montering av sagbladet (fig. A - KS701E og KS701PE)

- ◆ Hold sagbladet (7) som vist, med taggene vendt fremover.
- ◆ Trykk låsespaken (3) vekk fra fotplaten (4).
- ◆ Sett festetappen til sagbladet så langt inn i bladholderen (8) som den går.
- ◆ Juster styrerullen for sagbladet (17) som beskrevet ovenfor.
- ◆ Slipp låsespaken (3).

Montere sagbladet (fig. A - KS501)

- ◆ Før du monterer eller demonterer sagbladet (7), må styrerullen for sagbladet (17) justeres til bakre posisjon, slik at den ikke er i kontakt med bladet.
- ◆ Løsne (men ikke fjern) de to skruene. (18).
- ◆ Hold sagbladet (7) med taggene vendt fremover.
- ◆ Sett festetappen til sagbladet (7) så langt inn i bladholderen (8) som den går.
- ◆ Stram de to skruene (18) etter tur for å plassere bladet. Stram så de to skruene (18) helt.
- ◆ Juster styrerullen for sagbladet (17) som beskrevet ovenfor.
- ◆ Når du skal demontere sagbladet (7), vrir du begge skruer (18) én omdreining mot klokken.

Koble en støvsuger til verktøyet (fig. B - kun KS701E og KS701PE).

- ◆ Skyv sugedysen (9) inn støvtuttaket (5).

Andre former for risiko

Ved bruk av produktet kan det oppstå ytterligere risikoer som kanskje ikke er inkludert i sikkerhetsadvarslene som følger med.

Disse risikoene kan bli forårsaket av feil bruk, langvarig bruk osv. Selv om de relevante sikkerhetsbestemmelsene blir fulgt, og sikkerhetsiltakene blir gjennomført, kan visse gjenværende risikoer ikke unngås. Disse omfatter:

- ◆ Personskader som forårsakes av berøring av en roterende/bevegelig del.
- ◆ Personskader som forårsakes av at en del, et blad eller tilbehør endres.
- ◆ Personskader som forårsakes av langvarig bruk av et verktøy. Når du bruker et verktøy i lange perioder, må du sørge for å ta regelmessige pauser.
- ◆ Svekket hørsel.
- ◆ Helsefarer som forårsakes av innånding av støv som dannes når du bruker verktøyet (eksempel: arbeid med tre, spesielt eik, bøk og MDF).

Bruk

Justere fotplaten for skråkutting (fig. C)

Advarsel! Bruk aldri verktøyet mens fotplaten er løs eller fjernet. Fotplaten (4) kan skrårstilles opptil 45° både til høyre og venstre.

- ◆ Løsne skruene. (10) Noen modeller har bare én skruer.
- ◆ Trekk foten (4) fremover, vri foten til venstre eller høyre, og skyv den tilbake i posisjonen for 45°. (kun KS701E og KS701PE).
- ◆ Trykk foten (4) bakover, vri den til høyre, og trekk den tilbake i posisjonen for 45°. (kun KS501).
- ◆ Stram skruene.

Tilbakestille fotplaten (4) for 90°-kutt:

- ◆ Løsne skruene. (10).
- ◆ Trekk foten (4) fremover, vri den til midtstilling, og skyv den tilbake i posisjonen for 0°.
- ◆ Stram skruene.

Variabel hastighetsregulering (kun KS701E og KS701PE)

- ◆ Bruk en høy hastighet for tre, middels hastighet for aluminium og PVC og lav hastighet for andre metaller.

Slå av og på

- ◆ Når du skal slå verktøyet på, trykker du på bryteren for variabel hastighet (KS701E og KS701PE) eller på/av-bryteren (KS501) (1). På KS701E- og KS701PE-enheter avhenger starthastigheten av hvor langt du trykker bryteren.
- ◆ Hvis du ønsker å holde verktøyet i kontinuerlig drift, trykker du inn låseknappen (2) og trykker på bryteren for variabel hastighet. Dette valget er bare tilgjengelig ved full hastighet.
- ◆ Når du skal slå verktøyet av, slipper du bryteren for variabel hastighet. Hvis du vil slå av verktøyet mens det går kontinuerlig, trykker du inn bryteren for variabel hastighet eller på/av-bryteren én gang til og slipper den.

Bruke Sightline®-funksjonen (fig. D)

- ◆ Bruk en blyant til å merke skjærelinjen.
- ◆ Plasser stikksagen over linjen (11).

Skjærelinjen skal være lett å følge når man ser rett ned fra oversiden av stikksagen.

Skjæremodus (kun KS701PE)

Pendelbevegelsen gir bladet en mer aggressiv bevegelse, og den er beregnet på skjæring i myke materialer som tre og plast. Den gir raskere skjæring, men et mindre glatt kutt gjennom materialet. Stikksagen har en bryter for pendelbevegelse. Hvordan denne bryteren brukes for klares i neste seksjon.

Merknad: Pendelbevegelse må aldri brukes til å skjære metall.

Bryter for pendelbevegelse (fig. E - kun KS701PE)

KS701PE-modellen har disse fire skjæremodusen med økende grad av pendelbevegelse:

- ◆ Stilling 0: metall, aluminium og metallplater (ingen pendelbevegelse).
- ◆ Stilling 1: for laminater, hardt tre og arbeidsplater.
- ◆ Stilling 2: for finer og PVC/plast.
- ◆ Stilling 3: for mykt tre og rask skjæring

Justere pendelbevegelsen:

- ◆ Drei velgeren for pendelbevegelse (6) til ønsket stilling.

Saging

Hold verktøyet stødig med begge hender når du sager.

Fotplaten (4) bør holdes fast mot materialet som sages.

Dermed hindrer man at sagen hopper, vibrasjonene reduseres, og brudd på sagblad reduseres til et minimum.

- ◆ La bladet gå fritt i noen få sekunder før du starter sagingen.
- ◆ Bruk bare et lett press på verktøyet når du sager.

Råd for optimal bruk**Sage i laminat**

Når du sager laminat, kan det forekomme oppflising som kan skade overflaten som skal synes. De mest vanlige sagbladene skjærer når de beveger seg oppover. Hvis fotplaten hviler mot overflaten som skal synes, bruker du enten et sagblad som skjærer når det beveger seg nedover, eller:

- ◆ Bruk et fintagget sagblad.
- ◆ Sag fra den bakre flaten på arbeidsstykket.
- ◆ For å minimere flising, kan du klemme et stykke kapp eller fiberplate på begge sider av arbeidsstykket og sage gjennom dette.

Sage i metall

Advarsel! Ikke bruk støvsuger når du skjærer metall. Metallspion vil være varme og kan forårsake brann.

Vær oppmerksom på at saging i metall tar mye lengre tid enn saging i tre.

- ◆ Bruk et sagblad som egner seg for metallsaging.
- ◆ Når du skjærer tynne metallplater, kan du klemme et stykke kapp til den bakre flaten på arbeidsstykket og skjære gjennom dette.
- ◆ Smør en film av olje over hele den tiltenkte skjærelinjen.

Kløvebakke (kun KS701E og KS701PE)

Kløving og sirkelskjæring uten blyantstrek er lett med en kløvebakke og sirkelfører (tilgjengelig som ekstrautstyr - delenummer X43005-XJ).

Feste kløvebakke (fig. F & G)

- ◆ Sett kløvebakken (14) inn i sporene i fotplaten med tverrstangen vendt nedover som vist i figur F.
- ◆ Sett skruen (15) inn i hulle i bunnen av fotplaten.
- ◆ Sett klemmestangen (16) over skruen med randkanten vendt nedover og pekende bakover på sagen.
- ◆ Bruk en stjerneskrutrekker til å skru skruen inn i det gjengede hullet i stangklemmen som vist i figur G.
- ◆ Juster skjærebredden og stram skruen.

Sirkelsaging (fig. H - kun KS701E og KS701PE)

- ◆ Sett kløvebakken inn i sporet på høyre side av fotplaten med tverrstangen vendt oppover.
- ◆ Juster kløvebakken slik at avstanden fra bladet til hullet i tverrstangen er den samme som den ønskede radiusen og stram skruen.
- ◆ Plasser sagen slik at midten av hullet i tverrstangen ligger over midten av sirkelen som skal skjæres (lag et innstikk, bor et hull for bladet eller skjær innover fra kanten av materialet for å få bladet i posisjon).
- ◆ Når sagen står i riktig stilling skal du slå en liten spiker gjennom hullet i tverrstangen nøyaktig i midten av sirkelen som skal skjæres.
- ◆ Bruk kløvebakken som dreiearm og start å sage sirkelen.

Stikkskjæring (figur I)

Stikkskjæring er en enkel metode å bruke for saging inne i et materiale. Sagen kan settes rett inn i et panel eller en planken uten å drille en hull først. Ved stikkskjæring er det bare å måle flaten som skal skjæres og merke den klart med en blyant. Deretter tipper sagen forover inntil forkanten av foten sitter godt på arbeidsflaten og bladet går gjennom arbeidsstykket med hele bevegelsen. Slå på verktøyet og la det oppnå maksimal hastighet. Hold godt fast i sagen og senk bakkanten av verktøyet sakte inntil bladet når full dybde. Hold foten flatt mot treet og start å sage. Bladet må ikke fjernes fra skåret mens det er i bevegelse. Bladet må stå helt stille.

Vedlikehold

BLACK+DECKER-verktøyet ditt er konstruert for å være i drift over lengre tid med et minimum av vedlikehold. Det er avhengig av riktig stell og regelmessig rengjøring for å fungere som det skal til enhver tid.

- ◆ Rengjør ventilasjonsåpningene i verktøyet jevnlig med en myk børste eller tørr klut.
- ◆ Rengjør motorhuset regelmessig med en fuktig klut. Bruk aldri slipende eller løsningsmiddelbasert rengjøringsmiddel. Ikke la det komme væske inn i verktøyet, og senk aldri noen deler av verktøyet ned i væske.

Bytte nettstøpsel (gjelder bare Storbritannia og Irland)

Hvis et nytt støpsel må settes på:

- ◆ Kast det gamle støpselet på en trygg måte.
- ◆ Koble den brune ledningen til den strømførende terminalen i det nye støpselet.
- ◆ Koble den blå ledningen til den nøytrale terminalen.

Advarsel! Du skal ikke koble til jordterminalen.

Følg monteringsinstruksjonene som følger med støpsler av god kvalitet. Anbefalt sikring: 5 A.

Miljøvern



Separat avfallshåndtering. Dette produktet må ikke kastes sammen med vanlig husholdningsavfall.

Hvis du føler at BLACK+DECKER-produktet bør skiftes ut, eller du ikke lenger har bruk for det, må du ikke kaste det sammen med husholdningsavfall. Sørg for separat avfallshåndtering for dette produktet.



Hvis brukte produkter og emballasje leveres atskilt, kan materialer resikuleres og brukes på nytt. Gjenbruk av resikulerte materialer bidrar til redusert miljøforurensning og reduserer behovet for råmaterialer.

Det kan være lokale bestemmelser for separat avfallshåndtering for elektriske produkter fra husstander på kommunale avfallsplasser eller hos forhandleren, når du kjøper et nytt produkt.

BLACK+DECKER har en ordning for innsamling og resikulering av BLACK+DECKER-produkter som ikke skal brukes lenger. Du kan benytte denne tjenesten ved å levere produktet til et hvilket som helst autorisert serviceverksted.

Du kan finne ut hvor nærmeste autoriserte serviceverksted er, ved å kontakte din lokale BLACK+DECKER-avdeling på adressen som er oppgitt i denne håndboken. En oversikt over autoriserte BLACK+DECKER-serviceverksteder og alle opplysninger om ettersalgsservice og kontakter er også tilgjengelig på Internett: www.2helpU.com

Tekniske data

		KS501 (Type 1)	KS701E/PE (Type 1)
Inngangsspenning		V_{ac}	230
Hastighet ubelastet	(KS501)	min^{-1}	3,000
	(KS701E og KS701PE)	min^{-1}	0-3,000
Maks. skjæredybde	(KS501)	mm	65
Tre	(KS701E og KS701PE)	mm	70
		mm	5
Stål	(KS501)	mm	10
Aluminium	(KS701E og KS701PE)	mm	15
Vekt	(KS501)	kg	1.3
	(KS701E)	kg	1.6
	(KS701PE)	kg	1.7

KS501

L_{pA} (lydtrykk) 85.5 dB(A), usikkerhet (K) 3 dB(A)

L_{WA} (lydeffekt) 96.5 dB(A), usikkerhet (K) 3 dB(A)

Totale vibrasjonsverdier (vektorsum fra tre retninger) i henhold til EN 60745:

Saging av planker ($a_{h,B}$) 9.3 m/s^2 , usikkerhet (K) 1.5 m/s^2

Saging av metallplater ($a_{h,M}$) 12.6 m/s^2 , usikkerhet (K) 1.5 m/s^2

KS701E

L_{pA} (lydtrykk) 88 dB(A), usikkerhet (K) 3 dB(A)

L_{WA} (lydeffekt) 99 dB(A), usikkerhet (K) 3 dB(A)

Totale vibrasjonsverdier (vektorsum fra tre retninger) i henhold til EN 60745:

Saging av planker ($a_{h,B}$) 5.8 m/s^2 , usikkerhet (K) 1.5 m/s^2

Saging av metallplater ($a_{h,M}$) 6.3 m/s^2 , usikkerhet (K) 1.5 m/s^2

KS701PE

L_{pA} (lydtrykk) 89 dB(A), usikkerhet (K) 3 dB(A)

L_{WA} (lydeffekt) 100 dB(A), usikkerhet (K) 3 dB(A)

Totale vibrasjonsverdier (vektorsum fra tre retninger) i henhold til EN 60745:

Saging av planker ($a_{h,B}$) 12.5 m/s^2 , usikkerhet (K) 1.5 m/s^2

Saging av metallplater ($a_{h,M}$) 9.9 m/s^2 , usikkerhet (K) 1.5 m/s^2

EF-samsvarserklæring

MASKINDIREKTIV



KS501 / KS701E / KS701PE

Black & Decker erklærer at disse produktene, som er beskrevet under "Tekniske data", er i samsvar med:

2006/42/EF, EN 60745-1, EN 60745-2-11

Disse produktene er også i samsvar med direktiv 2014/30/EU og 2011/65/EU. Hvis du ønsker mer informasjon, kontakt Black & Decker på følgende adresse, eller se på baksiden av bruksanvisningen.

Undertegnede er ansvarlig for utarbeidelsen av den tekniske dokumentasjonen og gir denne erklæringen på vegne av Black & Decker.

Ray Laverick
Engineering Manager
Black & Decker Europe, 210 Bath Road, Slough
Berkshire, SL1 34D,
Storbritannia
11/09/2014

Garanti

Black & Decker er trygg på kvaliteten på sine produkter og tilbyr en enestående garanti. Denne garantierklæringen kommer i tillegg til dine kontraktsfestede rettigheter og er ikke i konflikt med disse. Garantien er gyldig i EU- og EFTA-medlemsstatene.

Hvis et Black & Decker-produkt går i stykker på grunn av defekt materiale eller feil utførelse innen 24 måneder fra kjøpet, påtar Black & Decker seg å skifte ut defekte deler, reparere produkter som har vært utsatt for alminnelig slitasje, eller bytte ut slike produkter med minst mulig brydderi for kunden, med mindre:

- ◆ produktet har vært brukt i yrkes-/næringsvirksomhet eller til utleie.
- ◆ Produktet har vært utsatt for feilaktig bruk eller dårlig vedlikehold.
- ◆ produktet har blitt skadet av fremmede gjenstander eller stoffer eller ved et uhell.
- ◆ Andre enn autoriserte serviceverksteder eller Black & Deckers serviceteknikere har forsøk å reparere produktet.

For å ta garantien i bruk må du vise kjøpskvittering til forhandleren eller til et autorisert serviceverksted. Du kan finne ut hvor nærmeste autoriserte serviceverksted er, ved å kontakte din lokale Black & Decker-avdeling på adressen som er oppgitt i denne håndboken. En oversikt over autoriserte Black & Decker-serviceverksteder og alle opplysninger om ettersalgsservice og kontakter er også tilgjengelig på Internett: www.2helpU.com

Besøk vårt webområde www.blackanddecker.no for å registrere ditt nye BLACK+DECKER-produkt og for å holde deg oppdatert om nye produkter og spesialtilbud. Du finner mer informasjon om BLACK+DECKER og produktutvalget vårt på www.blackanddecker.eu.

Tilsigtet brug

Din BLACK+DECKER-stiksav er beregnet til at save i træ, plast og metal. Værktøjet er kun beregnet til privat brug.

Sikkerhedsanvisninger

Generelle sikkerhedsadvarsler vedrørende elværktøj



Advarsel! Læs alle sikkerhedsadvarsler og alle instruktioner. Hvis nedenstående advarsler og instruktioner ikke følges, er der risiko for elektrisk stød, brand og/eller alvorlige personskader.

Gem alle advarsler og anvisninger til senere brug.

Begrebet "elværktøj", der benyttes i nedenstående advarsler, henviser til netdrevet elværktøj (med netledning) eller batteridrevet elværktøj (uden netledning).

1. Sikkerhed i arbejdsområdet

- Hold arbejdsområdet rent og godt oplyst.** Rodede og uoplyste områder øger risikoen for uheld.
- Brug ikke elværktøj i eksplosive omgivelser, f.eks. hvor der er brændbare væsker, gasser eller støv.** Elværktøj kan forårsage gnister, der kan antænde støv eller dampe.
- Hold børn og andre personer på afstand, når elværktøjet er i brug.** Du kan miste kontrollen over værktøjet, hvis du bliver distraheret.

2. Elektricitet og sikkerhed

- Elværktøjsstik skal passe til stikkontakten. Stikket må under ingen omstændigheder ændres. Brug ikke adapterstik sammen med jordforbundet elværktøj.** Uændrede stik, der passer til stikkontakterne, nedsætter risikoen for elektrisk stød.
- Undgå kropskontakt med jordforbundne overflader som f.eks. rør, radiatorer, komfurer og køleskabe.** Hvis din krop er jordforbundet, øges risikoen for elektrisk stød.
- Elværktøj må ikke udsættes for regn eller fugt.** Indtrængen af vand i elværktøj øger risikoen for elektrisk stød.
- Ødelæg ikke ledningen. Bær, træk eller afbryd ikke elværktøjet vha. ledningen. Beskyt ledningen mod varme, olie, skarpe kanter eller bevægelige dele.** Beskadigede eller sammenfiltrede ledninger øger risikoen for elektrisk stød.
- Hvis elværktøj benyttes i det fri, skal der benyttes en forlængerledning, som er godkendt til udendørs brug.** Brug af en forlængerledning til udendørs brug nedsætter risikoen for elektrisk stød.
- Brug en strømkilde med fejlstrømsbeskyttelse, hvis det er uundgåeligt at anvende elværktøj på fugtige steder.** Med en fejlstrømsbeskyttelse reduceres risikoen for elektrisk stød.

3. Personlig sikkerhed

- Vær opmærksom, hold øje med, hvad du laver, og brug elværktøjet fornuftigt. Man bør ikke bruge værktøjet, hvis man er træt, har nydt alkohol eller er påvirket af medicin eller euforiserende stoffer.** Et øjeblikvis uopmærksomhed under brug af elværktøj kan medføre alvorlig personskade.
- Brug personlige værnemidler. Brug altid beskyttelsesbriller.** Brug af værnemidler som f.eks. støvmaske, skridsikkert fodtøj, beskyttelseshjelm eller høreværn nedsætter risikoen for personskader, hvis udstyret anvendes korrekt.
- Sørg for, at værktøjet ikke kan starte utilsigtet. Kontroller, at afbryderkontakten står på slukket, inden værktøjet tilsluttes strømkilden og/eller batteriet, samles op eller bæres.** Bæres elværktøj, mens fingeren er på kontakten, eller tilsluttes det, mens kontakten står på tændt, kan der nemt ske en ulykke.
- Fjern indstillingsværktøj eller skruenøgle, inden elværktøjet tændes.** Et værktøj eller en nøgle, der efterlades i en roterende del i elværktøjet, kan medføre personskade.
- Stræk dig ikke for langt. Sørg for, at du altid har sikkert fodfæste og balance.** Så har du bedre styr på elværktøjet, hvis der opstår uventede situationer.
- Brug egnet arbejdstøj. Undgå løse beklædningsgenstande eller smykker. Hold hår, tøj og handsker væk fra dele, der bevæger sig.** Bevægelige dele kan gribe fat i løst tøj, smykker eller langt hår.
- Hvis støvudsugnings- og opsamlingsudstyr kan monteres, er det vigtigt, at dette tilsluttes og benyttes korrekt.** Brug af udstyr til opsamling af støv kan nedsætte risikoen for støvrelateret personskade.

4. Brug og vedligeholdelse af elværktøj

- Undgå at overbelaste elværktøjet. Brug det rigtige elværktøj til opgaven.** Med det rigtige elværktøj udføres arbejdet lettere og sikrere og i det tempo, som værktøjet er beregnet til.
- Brug ikke elværktøjet, hvis afbryderen er defekt.** Elværktøj, der ikke kan reguleres med afbryderen, er farligt og skal repareres.
- Træk stikket ud af stikkontakten og/eller frakobl batteriet fra elværktøjet inden indstilling, udskiftning af tilbehør eller opbevaring af elværktøjet.** Disse sikkerhedsforanstaltninger reducerer risikoen for utilsigtet start af værktøjet.
- Opbevar ubenyttet elværktøj uden for børns rækkevidde. Elværktøjet må ikke bruges af personer, der ikke er fortrolige med det, eller som ikke har gennemlæst disse instruktioner.** Elværktøj er farligt, hvis det benyttes af uerfarne personer.

- e. **Elværktøj bør vedligeholdes omhyggeligt. Kontroller, om bevægelige dele er skæve, og at de ikke sidder fast, og om delene er brækket eller beskadiget, så elværktøjets funktion påvirkes. Få beskadigede dele repareret, inden elværktøjet tages i brug.** Mange uheld skyldes dårligt vedligeholdt elværktøj.
- f. **Sørg for, at skæreværktøjer er skarpe og rene.** Ordentligt vedligeholdt skæreværktøj med skarpe skærekanter sætter sig ikke så hurtigt fast og er nemmere at styre.
- g. **Brug elværktøjet, tilbehøret, indsatsværktøj osv. i overensstemmelse med disse instruktioner under hensyntagen til arbejdsforholdene og arbejdet, der skal udføres med værktøjet.** I tilfælde af anvendelse af elværktøjet til formål, som ligger uden for det fastsatte anvendelsesområde, kan der opstå farlige situationer.
5. **Service**
- a. **Få altid elværktøjet repareret af kvalificerede fagfolk udelukkende med identiske reservedele.** Derved opretholdes elværktøjets sikkerhed.

Yderligere sikkerhedsadvarsler for elværktøj



Advarsel! Sikkerhedsinstruktioner gældende for alle save

- ◆ **Hold i elværktøjets isolerede gribeblader, hvis der er risiko for, at skæretilbehøret kommer i kontakt med skjulte ledninger.** Hvis skæretilbehøret rammer en strømførende ledning, bliver elværktøjets blotlagte dele strømførende, så brugeren får stød.
- ◆ **Brug skruetvinger eller lignende til at holde og støtte materialet på et stabilt underlag.** Det er ikke nok at holde materialet ind mod kroppen. Det bliver ustabil, og du kan miste kontrollen.
- ◆ **Hold hænderne på afstand af skæreamrådet.** Ræk aldrig ind under materialet uanset årsag. Anbring ikke fingrene i nærheden af den frem- og tilbagegående klinge og klingeholderen. Stabiliser ikke saven ved at gribe omkring skoen.
- ◆ **Hold klingerne skarpe.** Døve eller beskadigede klinger kan få saven til at slingre eller standse under pres. Brug altid den rigtige type savklinger til materialet og formålet.
- ◆ **Når der saves i rør og rørledninger, er det vigtigt, at de er fri for vand, elektriske ledninger osv.**
- ◆ **Rør ikke ved materialet eller klingens umiddelbart efter, at værktøjet har været i brug.** De kan være meget varme.
- ◆ **Vær opmærksom på skjulte farer, inden der saves i vægge, gulve eller lofter. Kontroller, om der findes ledninger og rør.**
- ◆ **Klingen fortsætter med at bevæge sig, efter at kontakten er sluppet.** Sluk altid værktøjet, og vent, indtil savklingens bevægelse er helt ophørt, inden du lægger værktøjet fra dig.

Advarsel! Berøring af eller indånding af støvpartikler fra skærearbejder kan udgøre en fare for både brugerens og eventuelle tilskueres heldbred. Bær en støvmaske, der er specielt beregnet til beskyttelse mod støv og røg, og sørg for, at personer på eller på vej ind i arbejdsområdet også er beskyttet.

- ◆ **Apparatets tilsigtede brug fremgår af denne vejledning.** Brugen af ekstraudstyr eller tilbehør eller udførelse af opgaver med værktøjet ud over de i brugervejledningen anbefalede kan medføre risiko for personskade og/eller materiel skade.

Andres sikkerhed

- ◆ Dette værktøj må ikke bruges af personer (herunder børn) med nedsatte fysiske, sensoriske eller mentale evner eller manglende erfaring og viden, medmindre det sker under overvågning, eller der gives instruktion i brugen af værktøjet af en person, der er ansvarlig for deres sikkerhed.
- ◆ Børn skal holdes under opsyn, så det sikres, at de ikke leger med værktøjet.

Vibration

De angivne værdier for udsendelse af vibration anført under de tekniske data og overensstemmelseserklæringen er målt i henhold til standardtestmetoden i EN 60745 og kan bruges til at sammenligne ét værktøj med et andet. Den angivne værdi for udsendelse af vibration kan også bruges som en foreløbig vurdering af eksponeringen.

Advarsel! Værdien for udsendelse af vibration ved faktisk brug af elværktøjet kan afvige fra den angivne værdi afhængig af måden, værktøjet anvendes på. Vibrationsniveauet kan overstige det angivne niveau.

I vurderingen af eksponeringen for vibration med henblik på fastsættelse af sikkerhedsforanstaltninger som krævet i 2002/44/EF til beskyttelse af personer, der jævnligt anvender elværktøj i deres arbejde, skal der tages hensyn til de faktiske betingelser under brugen, og måden værktøjet bruges på, herunder alle arbejdsrytters elementer, f.eks. perioder, hvor værktøjet er slukket og kører i tomgang tillige med startperioderne.

Mærkater på værktøjet

Følgende symboler er anbragt på værktøjet:



Advarsel! Brugeren skal læse brugervejledningen for at reducere risikoen for tilskadekomst.

Elektricitet og sikkerhed



Denne maskine er dobbelt isoleret. Derfor er jordledning ikke nødvendig. Kontroller altid, at strømforsyningsspændingen svarer til spændingen på typeskiltet.

- ◆ Hvis netledningen beskadiges, skal den udskiftes af producenten eller et autoriseret BLACK+DECKER-værksted, så farlige situationer undgås.

Funktioner

Dette værktøj leveres med nogle af eller alle de følgende komponenter.

1. Kontakt til variabel hastighed (KS701E og KS701PE) eller tænd/sluk-kontakt (KS501)
2. Spærreknop
3. Låsegreb til savklinge
4. Sål
5. Støvdugsugningsudgang (kun KS701E og KS701PE)
6. Drejeskive til pendulbevægelse (kun KS701PE)

Samling

Advarsel! Sørg for at værktøjet er afbrudt, stikket taget ud og at savklingen er standset inden nogle af de følgende funktioner foretages. Brugte savklinger kan være varme.

Påsætning af savklingen (fig. A - KS701E og KS701PE)

- ◆ Hold på savklingen (7) som vist, så tænderne vender fremad.
- ◆ Skub låsegrebet (3) væk fra sålen (4).
- ◆ Sæt savklingsens skaft ind i holderen (8) så langt det kan gå ind.
- ◆ Juster savklingsens støtterulle (17) som beskrevet ovenfor.
- ◆ Slip låsegrebet (3).

Påsætning af savklinge (fig. A - KS501)

- ◆ Inden savklingen (7) monteres eller afmonteres, skal støtterullen (17) anbringes i bageste position, så den ikke berører klingens.
- ◆ Løsn (men fjern ikke) de to skruer. (18).
- ◆ Hold savklingen (7), så tænderne vender fremad.
- ◆ Sæt savklingsens skaft (7) så langt ind i holderen (8) som muligt.
- ◆ Stram de to skruer (18) let, anbring klingens, og stram derefter de to skruer helt (18).
- ◆ Juster savklingsens støtterulle (17) som beskrevet ovenfor.
- ◆ Drej begge skruer (18) én gang mod uret for at fjerne savklingen (7).

Tilslutning af støvsuger til værktøjet (fig. B - kun KS701E og KS701PE)

- ◆ Sæt støvsugerdysen (9) ind i støvdugsugningsudgangen (5).

Restrisici

Der kan opstå yderligere restrisici under brugen af værktøjet, som ikke kan medtages i vedlagte sikkerhedsadvarsler. Disse

risici kan opstå pga. forkert anvendelse, langvarig brug etc. Selv ved overholdelse af relevante sikkerhedsforskrifter og anvendelse af sikkerhedsudstyr kan visse restrisici ikke undgås. Disse omfatter:

- ◆ Tilskadekomst forårsaget af berøring af roterende/ bevægelige dele.
- ◆ Tilskadekomst forårsaget af udskiftning af dele, klinger eller tilbehør.
- ◆ Tilskadekomst forårsaget af langvarig brug af et værktøj. Husk at holde pause jævnligt ved brug af et værktøj i længere tid.
- ◆ Høreskader.
- ◆ Sundhedsrisici forårsaget af indånding af støv, der genereres ved brug af værktøjet (eksempel: arbejde med træ, især eg, bøg og MDF).

Anvendelse

Justering af sålen ved skråsnit (fig. C)

Advarsel! Brug aldrig værktøjet, hvis sålen er løs eller afmonteret. Sålen (4) kan indstilles til venstre eller højre skråsnit på 45°.

- ◆ Løsn skruerne (10). Nogle modeller har kun en skrue.
- ◆ Træk skoen (4) fremad, drej den mod venstre eller højre, og skub den tilbage i positionen 45°. (kun KS701E og KS701PE).
- ◆ Skub skoen (4) tilbage, drej den mod højre, og træk den tilbage i positionen 45°. (kun KS501).
- ◆ Tilspænd skruerne.

Sådan nulstilles sålen (4) til 90° snit:

- ◆ Løsn skruerne (10).
- ◆ Træk skoen (4) fremad, drej den til midten, og skub den tilbage i positionen 0°.
- ◆ Tilspænd skruerne.

Knop til indstilling af trinløs hastighed (kun KS701E og KS701PE)

- ◆ Brug en høj hastighed til træ, en middel hastighed til aluminium og PVC og en lav hastighed til metaller udover aluminium.

Tænd og sluk

- ◆ Tryk på kontakten til variabel hastighed (KS701E og KS701PE) eller tænd/sluk-knappen (KS501) (1) for at tænde apparatet. På KS701E- og KS107PE-enhederne afhænger hastigheden af, hvor langt ned du trykker kontakten.
- ◆ Tryk på spærreknappen (2), og tryk på kontakten til variabel hastighed for at opnå konstant funktion. Denne indstilling er kun mulig ved fuld hastighed.
- ◆ Udløs kontakten til variabel hastighed for at stoppe værktøjet. Sluk for værktøjet efter arbejde i konstant funktion ved at trykke på knappen til variabel hastighed

eller tænd/sluk-knappen igen og slippe den.

Sådan bruges Sightline®-funktionen (fig. D)

- ◆ Brug en blyant til at afmærke skærelinjen.
- ◆ Placér stiksaven over linjen (11).

Ved at se ovenfra og ned på stiksaven er det nemt at følge skærelinjen.

Skæreindstilling (kun KS701PE)

En pendulbevægelse giver en mere aggressiv klingebevægelse og er beregnet til savning i bløde materialer såsom træ eller plast. Den giver et hurtigere, men mindre blødt snit gennem materialet. Din stiksav har en drejekontakt til pendulbevægelse. Brugen af denne drejekontakt er forklaret i næste afsnit.

Bemærk! Brug aldrig pendulbevægelse til savning i metal.

drejekontakt til pendulbevægelse (fig. E - kun KS701PE)

KS701PE har disse fire skæreindstillinger med stadig større pendulbevægelse:

- ◆ Position 0: Metal og aluminium samt metalplader (ingen pendulbevægelse).
- ◆ Position 1: Til laminater, hårdt træ og bordplader.
- ◆ Position 2: Til krydsfiner og PVC/plast.
- ◆ Position 3: Til blødt træ og hurtig savning

Sådan indstilles pendulbevægelsen:

- ◆ Drej kontakten til valg af pendulbevægelse (6) til den ønskede position.

Savning

Hold godt fast i værktøjet med begge hænder, mens du saver. Sålen (4) skal holdes fast mod materialet, der saves i. Det medvirker til at forhindre, at saven hopper, reducerer vibrationer og minimerer risikoen for, at klingens knækker.

- ◆ Lad klingens løbe frit et par sekunder, inden du begynder at save.
- ◆ Tryk kun let med værktøjet, mens du skærer.

Gode råd til optimal brug

Skæring i laminater

Der kan forekomme splinter, når der skæres i laminat, hvilket kan beskadige forsiden. De fleste savklinger skærer i det opadgående strøg, så hvis sålen er placeret på oversiden, skal der enten bruges en savklinge, der skærer i det nedadgående strøg, eller:

- ◆ Brug en savklinge med fine tænder.
- ◆ Skær fra bagsiden af arbejdsmaterialet.
- ◆ Klem et stykke spildtræ eller hardboard på begge sider af materialet og sav gennem denne sandwich for at minimere splintringen.

Skæring i metal

Advarsel! Brug ikke støvsuger, når der saves i metal.

Metalspånere kan være varme og forårsage brand.

Vær opmærksom på, at skæring i metal tager meget længere tid end skæring i træ.

- ◆ Brug en savklinge der egner sig til skæring i metal.
- ◆ Klem et stykke spildtræ til bagsiden af arbejdsmaterialet og sav gennem denne sandwich når der skæres i tynde metalplader.
- ◆ Læg en oliefilm langs den påtænkte skæringslinje.

Styreskinne (kun KS701E og KS701PE)

Savning på langs og cirkelskæring uden en blyantslinje klares nemt ved hjælp af en styreskinne (fås som ekstraudstyr - del nummer X43005-XJ).

Påsætning af styreskinne (fig. F og G)

- ◆ Sæt styreskinnen (14) ind i åbningerne i sålen med tværstangen nedad som vist i figur F.
- ◆ Sæt skruen (15) i hullet i bunden af sålen.
- ◆ Ret holdestangen (16) ind over skruen med den udragende kant nedad og pegende mod det bagerste af saven.
- ◆ Skru skruen ind i gevindhullet i beslaget med en krydskævvsskruetrækker som vist i figur G.
- ◆ Indstil snittets bredde, og tilspænd skruen.

Cirkelskæring (fig. H - kun KS701E og KS701PE)

- ◆ Sæt styreskinnen ind i åbningen i højre side af sålen med tværstangen opad.
- ◆ Indstil styreskinnen, så afstanden fra klingens til hullet i tværstangen udgør den ønskede radius, og tilspænd skruen.
- ◆ Anbring saven, så midterhullet i tværstangen befinder sig over centrum i den cirkel, der skal skæres (lav et indstik, bor et hul til klingens eller skær indad fra kanten af materialet for at få klingens på plads).
- ◆ Når saven er placeret rigtigt, sættes et lille søm ind igennem hullet i tværstangen og nøjagtigt i centrum af den cirkel, der skal skæres.
- ◆ Brug styreskinnen som en vippear, og begynd at skære cirklen.

Indsnit (fig. I)

Et indsnit er en nem måde at lave et indvendigt snit. Saven kan anvendes direkte i en plade eller en liste uden først at bore et styrehul eller en forboring. Ved indsnit måles den flade, der skal skæres, og målene markeres tydeligt med en blyant. Vip derefter saven fremad, indtil forenden af savskoven sidder fast på arbejdsfladen, og klingens skærer gennem materialet med fuldt slag. Start værktøjet, og lad det komme op på maksimal hastighed. Hold godt fast i saven, og sænk langsomt bagkanten af værktøjet ned, indtil klingens når sin

fulde dybde. Hold skoen fladt ned mod træet, og begynd at save. Fjern ikke klingens snit, mens den stadig er i bevægelse. Klingens skal stå helt.

Vedligeholdelse

Dit BLACK+DECKER-værktøj er beregnet til brug gennem lang tid med et minimum af vedligeholdelse. Forsæt tilfredsstillende drift afhænger af korrekt behandling af værktøjet samt regelmæssig rengøring.

- ◆ Rengør regelmæssigt værktøjets ventilationshuller med en blød børste eller en tør klud.
- ◆ Rengør motorhuset regelmæssigt med en fugtig klud. Undlad at bruge rengøringsmidler med slibemiddel eller opløsningsmidler. Sørg for at der ikke trænger væske ind i værktøjet. Ingen del af værktøjet må nedsænkes i væske.

Udskiftning af stik (kun Storbritannien og Irland)

Sådan monteres et nyt stik:

- ◆ Det gamle stik skal bortskaffes på en sikker måde.
- ◆ Slut den brune ledning til den strømførende klemme på det nye stik.
- ◆ Slut den blå ledning til den neutrale klemme.

Advarsel! Der skal ikke foretages nogen tilslutning til jordklemmen. Følg de monteringsanvisninger, der leveres sammen med kvalitetsstik. Anbefalet sikring: 5 A.

Miljøbeskyttelse



Separat bortskaffelse. Dette produkt må ikke bortskaffes sammen med almindeligt husholdningsaffald.

Når dit BLACK+DECKER-produkt en dag er ud tjent, eller du ikke længere har brug for det, må du ikke smide det ud sammen med det almindelige affald. Produktet skal bortskaffes separat.



Ved separat bortskaffelse af brugte produkter og emballage bliver der mulighed for at genanvende forskellige materialer. Genanvendelse af materialer medvirker til at forebygge miljøforurening og mindsker behovet for råstoffer.

Lokal lovgivning kan kræve separat indsamling af elektriske husholdningsapparater på kommunale affaldsdeponer eller af den detailhandelende ved køb af et nyt produkt.

BLACK+DECKER sørger for at indsamle og genanvende BLACK+DECKER-produkter, når disse ikke længere kan bruges. Hvis du vil benytte dig af denne service, skal du returnere produktet til et autoriseret værksted, der indsamler produkterne for os.

Kontakt det lokale BLACK+DECKER-kontor på den adresse, der er opgivet i denne vejledning, for at få oplysninger om nærmeste autoriserede værksted. En liste over alle autoriserede BLACK+DECKER-serviceværksteder samt servicevilkår og kontaktpersoner er tilgængelig på internettet på adressen: www.2helpU.com

Tekniske data

		KS501 (Type 1)
		KS701E/PE (Type 1)
Indgangsspænding		V _{ac} 230
Hastighed uden belastning	(KS501)	min ⁻¹ 3.000
	(KS701E og KS701PE)	min ⁻¹ 0-3.000
Maks. skæredybde		
Træ	(KS501)	mm 65
	(KS701E og KS701PE)	mm 70
Stål		mm 5
Aluminium	(KS501)	mm 10
	(KS701E og KS701PE)	mm 15
Vægt	(KS501)	kg 1.3
	(KS701E)	kg 1.6
	(KS701PE)	kg 1.7

KS501

L_{PA} (lydtryk) 85.5 dB(A), usikkerhed (K) 3 dB(A)

L_{WA} (lydeffekt) 96.5 dB(A), usikkerhed (K) 3dB(A)

Samlede værdier for vibration (triaksial vektorsum)
i henhold til EN 60745:

Savning i lister (a_{h,B}) 9.3 m/s², usikkerhed (K) 1.5 m/s²

Savning i metalplader (a_{h,M}) 12.6 m/s², usikkerhed (K) 1.5 m/s²

KS701E

L_{PA} (lydtryk) 88 dB(A), usikkerhed (K) 3 dB(A)

L_{WA} (lydeffekt) 99 dB(A), usikkerhed (K) 3dB(A)

Samlede værdier for vibration (triaksial vektorsum)
i henhold til EN 60745:

Savning i lister (a_{h,B}) 5.8 m/s², usikkerhed (K) 1.5 m/s²

Savning i metalplader (a_{h,M}) 6.3 m/s², usikkerhed (K) 1.5 m/s²

KS701PE

L_{PA} (lydtryk) 89 dB(A), usikkerhed (K) 3 dB(A)

L_{WA} (lydeffekt) 100 dB(A), usikkerhed (K) 3dB(A)

Samlede værdier for vibration (triaksial vektorsum)
i henhold til EN 60745:

Savning i lister (a_{h,B}) 12.5 m/s², usikkerhed (K) 1.5 m/s²

Savning i metalplader (a_{h,M}) 9.9 m/s², usikkerhed (K) 1.5 m/s²

EF-overensstemmelseserklæring

MASKINDIREKTIV



KS501 / KS701E / KS701PE

Black & Decker erklærer, at produkterne beskrevet under "Tekniske data" er i overensstemmelse med:

2006/42/EF, EN 60745-1, EN 60745-2-11

Disse produkter er endvidere i overensstemmelse med direktiv 2014/30/EU og 2011/65/EU. Kontakt Black & Decker på nedenstående adresse, eller se vejledningens bagside for at få flere oplysninger.

Undertegnede er ansvarlig for udarbejdelsen af de tekniske data og fremsætter denne erklæring på vegne af Black & Decker.

Ray Laverick
Engineering Manager
Black & Decker Europe, 210 Bath Road, Slough,
Berkshire, SL1 34D,
Storbritannien
11/09/2014

Garanti

Black & Decker garanterer, at produktet er fri for skader og fejl og tilbyder en fremragende garanti. Garantien er et tillæg til forbrugerens kontraktmæssige rettigheder og påvirker ikke disse. Garantien gælder inden for medlemsstaterne af den Europæiske Union og i det Europæiske Frihandelsområde.

Hvis dit Black & Decker-produkt går i stykker på grund af materiel skade eller fabriktionsfejl inden for 24 måneder fra købsdatoen, påtager Black & Decker sig gratis at udskifte alle defekte dele, reparere eller ombytte produktet med mindst mulig ulempe for kunden, medmindre:

- ◆ Produktet har været anvendt erhvervsmæssigt eller til udlejning.
- ◆ Produktet har været anvendt forkert eller er ikke vedligeholdt.
- ◆ Produktet er beskadiget af fremmedlegemer, substanser eller pga. uheld.
- ◆ Der har været foretaget reparationer af andre end et autoriseret Black & Decker-værksted.

For at udnytte garantien skal produktet og købskvitteringen indleveres til forhandleren eller til et autoriseret værksted. Kontakt det lokale Black & Decker-kontor på den adresse, der er opgivet i denne vejledning, for at få oplysninger om nærmeste autoriserede værksted. En liste over alle autoriserede Black & Decker-serviceværksteder samt servicevilkår og kontaktpersoner er tilgængelig på internettet på adressen: www.2helpU.com

Gå venligst ind på vores website www.blackanddecker.dk for at registrere dit nye BLACK+DECKER-produkt og for at blive holdt ajour om nye produkter og specialtilbud. Der findes yderligere oplysninger om mærket BLACK+DECKER og vores produktsortiment på adressen www.blackanddecker.eu.

Käyttötarkoitus

BLACK+DECKERin pistosaha soveltuu puun, muovin ja metallin sahaamiseen. Tämä työkalu on tarkoitettu vain yksityiskäyttöön.

Turvallisuusohjeet

Sähkötyökalujen yleiset turvavaroitukset



Varoitus! Lue kaikki turvavaroitukset ja ohjeet. Alla olevien varoitusten ja ohjeiden noudattamisen laiminlyönti saattaa johtaa sähköiskuun, tulipaloon ja/tai vakavaan loukkaantumiseen.

Säästä kaikki varoitukset ja ohjeet tulevaa käyttöä varten. Ohjeissa käytetty käsite "sähkötyökalu" tarkoittaa verkkokäyttöisiä sähkötyökaluja (verkkojohdolla varustettuja) ja akkukäyttöisiä sähkötyökaluja (ilman verkkojohtoa).

1. Työalueen turvallisuus

- Pidä työalue puhtaana ja hyvin valaistuna.** Työpaikan epäjärjestys ja valaisemattomat työalueet voivat johtaa tapaturmiin.
- Älä käytä sähkötyökalua räjähdysalttiissa ympäristössä, jossa on palavaa nestettä, kaasua tai pölyä.** Sähkötyökalu muodostaa kipinöitä, jotka saattavat sytyttää pölyn tai höyryt.
- Pidä lapset ja sivulliset loitolla sähkötyökalua käyttäessäsi.** Voit menettää laitteesi hallinnan huomiosi suuntautuessa muualle.

2. Sähköturvallisuus

- Sähkötyökalun pistokkeen on sovittava pistorasiaan.** Pistoketta ei saa muuttaa millään tavalla. Älä käytä mitään pistorasiasovittimia maadoitettujen sähkötyökalujen kanssa. Alkuperäiset pistokkeet ja niille sopivat pistorasiat vähentävät sähköiskun vaaraa.
- Vältä koskettamasta maadoitettuja pintoja, kuten putkia, pattereita, liesiä tai jääkaappeja.** Sähköiskun vaara kasvaa, jos vartaloosi on maadoitettu.
- Älä altista sähkötyökalua sateelle tai kosteudelle.** Veden tunkeutuminen sähkötyökalun sisään kasvattaa sähköiskun riskiä.
- Älä käsittele virtajohtoa kovakouraisesti. Älä käytä sitä sähkötyökalun kantamiseen, vetämiseen tai pistokkeen irrottamiseen pistorasiasta.** Pidä johto loitolla kuumuudesta, öljystä, terävistä reunoista ja liikkuvista osista. Vahingoittuneet tai sotkeutuneet johdot lisäävät sähköiskun vaaraa.
- Käyttäessäsi sähkötyökalua ulkona käytä ainoastaan ulkokäyttöön soveltuvaa jatkojohtoa.** Ulkokäyttöön soveltuvan jatkojohtoon käyttö pienentää sähköiskun vaaraa.

- Jos sähkötyökalua on välttämättä käytettävä kosteassa paikassa, käytä jäännösvirtalaitteella (RCD) suojattua virtalähdettä.** Jäännösvirtalaitteen käyttö vähentää sähköiskun vaaraa.

3. Henkilöturvallisuus

- Keskity työskentelysi ja noudata tervettä järkeä käyttäessäsi sähkötyökaluja. Älä käytä sähkötyökalua, jos olet väsynyt tai huumeiden, alkoholin tai lääkkeiden vaikutuksen alaisena.** Hetken tarkkaamattomuus sähkötyökalua käytettäessä saattaa johtaa vakavaan loukkaantumiseen.
- Käytä henkilökohtaisia suojavarusteita. Käytä aina suojalaseja.** Suojavarusteet, kuten hengityssuojain, luistamattomat turvajalkineet, kypärä ja kuulosuojaimet, pienentävät loukkaantumiskisä, jos niitä käytetään tilanteen mukaan oikein.
- Vältä tahatonta käynnistämistä. Varmista, että virta on katkaistu käyttökylkimellä, ennen kuin liität laitteen virtalähteeseen ja/tai akkuun, nostat laitteen tai kannat sitä.** Onnettomuusvaara lisääntyy, jos kannat sähkötyökalua sommi käyttökylkimellä tai kytket työkalun virtajohdon pistorasiaan, kun käyttökylkin on päällä.
- Irrota mahdollinen säätö- tai kiintoavain, ennen kuin käynnistät sähkötyökalun.** Työkalu tai avain, joka sijaitsee laitteen pyöryvässä osassa, saattaa johtaa loukkaantumiseen.
- Älä kurkota liian kauas. Seiso aina tukevasti ja tasapainossa.** Niin voit paremmin hallita sähkötyökalua odottamattomissa tilanteissa.
- Käytä tarkoitukseen soveltuvia vaatteita. Älä käytä löysiä työvaatteita tai koruja.** Pidä hiukset, vaatteet ja käsinneet loitolla liikkuvista osista. Välijät vaatteet, korut ja pitkät hiukset voivat takertua liikkuviin osiin.
- Jos laitteeseen voi kiinnittää pölynkerääjän tai -imurin, tarkista, että se on paikallaan ja että se toimii kunnolla.** Pölynimurin käyttö voi vähentää pölyn aiheuttamia vaaroja.

4. Sähkötyökalujen käyttö ja hoito

- Älä yliuormita sähkötyökalua. Käytä kulloiseenkin työhön parhaiten soveltuvaa sähkötyökalua.** Sopivaa sähkötyökalua käyttäen työskentelet paremmin ja turvallisemmin tehoalueella, jolle sähkötyökalu on tarkoitettu.
- Älä käytä sähkötyökalua, jota ei voida käynnistää ja pysäyttää virtakytkimestä.** Jos sähkötyökalua ei voi käynnistää ja pysäyttää virtakytkimellä, se on vaarallinen ja se täytyy korjata.
- Irrota pistotulppa pistorasiasta ja/tai akku sähkötyökalusta, ennen kuin suoritat säätöjä, vaihdat tarvikkeita tai siirrat sähkötyökalun varastoitavaksi.** Nämä turvatoimenpiteet pienentävät sähkötyökalun

tahattoman käynnistämisen riskiä.

- d. Säilytä sähkötyökalut poissa lasten ulottuvilta, kun niitä ei käytetä. Älä anna sähkötyökalua sellaisen henkilön käyttöön, joka ei tunne sitä tai joka ei ole tutustunut sähkötyökalun käyttöohjeeseen. Sähkötyökalut ovat vaarallisia, jos niitä käyttävät kokemattomat henkilöt.
- e. Hoida sähkötyökalusi huolella. Tarkista, että liikkuvat osat toimivat moitteettomasti ja etteivät ne ole puristuksessa. Tarkista myös, ettei työkalussa ei ole murtuneita tai vahingoittuneita osia, jotka saattaisivat vaikuttaa haitallisesti sen toimintaan. Korjauta mahdolliset viat ennen käyttöönottoa. Moni tapaturma aiheutuu huonosti huolletuista laitteista.
- f. Pidä leikkausterät terävinä ja puhtaina. Huolellisesti hoidetut leikkausterät, joiden leikkausreunat ovat teräviä, eivät tartu helposti kiinni, ja niitä on helpompi hallita.
- g. Käytä sähkötyökaluja, tarvikkeita, vaihtotyökaluja jne. näiden ohjeiden mukaisesti. Ota tällöin huomioon työolosuhteet ja suoritettava toimenpide. Sähkötyökalun käyttö muuhun kuin sille määrättyyn käyttöön saattaa johtaa vaarallisiin tilanteisiin.

5. Huolto

- a. Korjauta sähkötyökalu koulutetulla ja ammattitaitoisella henkilöllä ja hyväksy korjauksiin vain alkuperäisiä varaosia. Siten varmistat sähkötyökalun säilyvän turvallisena.

Sähkötyökalujen lisäturvavaroitukset



Varoitus! Turvaohjeet kaikille sahoille

- ◆ **Pitele sähkötyökalua eristetyistä tartuntapinnoista, kun teet työtä, jossa työkalu voi joutua kosketuksiin piilossa olevien sähköjohtojen kanssa.** Työkalun kosketus jännitteisen johtimen kanssa voi tehdä myös työkalun paljaista metalliosista jännitteisiä ja aiheuttaa sähköiskun käyttäjälle.
- ◆ **Kiinnitä työstettävä kappale esimerkiksi ruuvipuristimella tukevaan alustaan.** Kappaleen kannatteleminen käsin tai sen tukeminen omaa vartaloa vasten voi johtaa kappaleen irtoamiseen ja vaaratilanteeseen.
- ◆ **Pidä kätesi pois leikkausalueelta.** Älä koskaan työnnä kättäsi työstökohteen alapuolelle. Älä työnnä sormia liikkuvan terän tai sen kiinnikkeen läheisyyteen. Älä tue sahaa pitämällä kiinni sahausjalasta.
- ◆ **Pidät terät terävinä.** Tylsät tai vahingoittuneet terät voivat leikata vinoon tai jäädä kiinni. Käytä työstettävään materiaaliin soveltuvaa sahanterää, jolla saat haluamasi sahausjäljen.
- ◆ **Jos sahaat putkea tai kotelointia, tarkista ensin, ettei**

sen sisällä ole vettä, sähköjohtoa tms.

- ◆ **Älä kosketa terää tai sahattua leikkauspintaa heti sahausksen jälkeen.** Ne voivat olla hyvin kuumia.
 - ◆ **Varo piilossa olevia vaaroja.** Tarkista sähköjohtojen ja putkien sijainti, ennen kuin sahaat seinää, lattiaa tai kattoa.
 - ◆ **Terän liike jatkuu vielä hetken käyttökytimen vapauttamisen jälkeen.** Katkaise virta ja odota, että terän liike on kokonaan pysähtynyt, ennen kuin lasket työkalun käsistesi.
- Varoitus!** Leikatessa syntyvän pölyn kanssa kosketuksiin joutuminen tai sen hengittäminen saattaa olla haitallista käyttäjän tai lähellä olijoiden terveydelle. Käytä kasvosuojusta, joka on erityisesti tarkoitettu suojaamaan pölyltä ja höyryiltä, ja varmista, että kaikki työskentelyalueella olevat ja sinne tulevat henkilöt käyttävät suojavarusteita.
- ◆ Työkalun käyttötarkoitus on kuvattu tässä käyttöohjeessa. Käytä työkalua ainoastaan sellaiseen työhön, johon se on tarkoitettu, ja käytä vain käyttöohjeessa ja tuotekuvastossa suositeltuja tarvikkeita ja lisälaitteita. Ohjeesta poikkeava käyttö voi aiheuttaa henkilö- ja/tai omaisuusvahinkoja.

Muiden turvallisuus

- ◆ Tätä työkalua ei ole tarkoitettu sellaisten henkilöiden käyttöön, joilla on fyysisiä tai älyllisiä rajoitteita tai aistirajoitteita, eikä laitteen toimintaan perehtymättömien henkilöiden käyttöön (lapset mukaan luettuina), paitsi valvonnan alaisina, tai jos he ovat saaneet laitteen käyttöön liittyvää opastusta heidän turvallisuudestaan vastaavalta henkilöltä.
- ◆ Lapsia on valvottava ja heitä on estettävä leikkimästä laitteella.

Tärinä

Teknisissä tiedoissa ja vaatimustenmukaisuusilmoituksessa ilmoitettu tärinäpäästöarvo on mitattu standardin EN 60745 testausmenetelmän mukaisesti, ja sen avulla voidaan vertailla työkaluja keskenään. Ilmoitettua tärinäpäästöarvoa voidaan käyttää myös altistumisen alustavaan arviointiin.

Varoitus! Sähkötyökalun käytön aikana mitattu todellinen tärinäpäästöarvo voi poiketa ilmoitetusta tärinäpäästöarvosta työkalun käyttötavan mukaan. Tärinätasoa voi olla ilmoitettu tasoa suurempi.

Selvitettyäessä, mitä direktiivin 2002/44/EY mukaisia turvatoimenpiteitä on noudatettava sähkötyökaluja säännöllisesti käyttävien henkilöiden suojelemiseksi, tärinälle altistuminen on arvioitava todellisten käyttöolosuhteiden ja työkalun käyttötapojen perustella. Varsinaisen käytön lisäksi on huomioitava ajat, jolloin työkalu on sammutettuna tai käy tyhjäkäynnillä.

Työkalussa olevat merkinnät

Työkalussa on seuraavat kuvamerkinnot:



Varoitus! Käyttäjän on luettava käyttöohje vahinkojen välttämiseksi.

Sähköturvallisuus



Tämä työkalu on kaksoiseristetty, joten erillistä maadoitusta ei tarvita. Tarkista aina, että virtalähteen jännite vastaa arvokilvessä ilmoitettua jännitettä.

- Jos virtajohto vahingoittuu, sen vaihtaminen on turvallisuussyistä jätettävä valmistajan tai valtuutetun BLACK+DECKER-huollon tehtäväksi.

Yleiskuvaus

Tässä työkalussa on joitakin tai kaikki seuraavista ominaisuuksista.

1. Nopeudensäätökytkin (KS701E ja KS701PE) tai virtakytkin (KS501).
2. Lukituspainike
3. Sahanterän lukitusvipu
4. Jalustalevy
5. Pölynpoistoaukko (vain KS701E ja KS701PE)
6. Heiluri-iskun säädin (vain KS701PE)

Kokoaminen

Varoitus! Ennen kuin yrität suorittaa mitään seuraavista toimenpiteistä, varmista, että työkalun virta on katkaistu, sähköpistoke on irrotettu sähköverkosta ja sahanterä on pysähtynyt. Käytössä olleet sahanterät voivat olla kuumia.

Sahanterän asennus ja poisto (kuva A – KS701E ja KS701PE)

- Pidä sahanterää (7) kuvassa näytetyllä tavalla hampaat eteenpäin.
- Työnnä lukitusvipua (3) pois päin jalustalevystä (4).
- Työnnä sahanterän varsi teränpitimeen (8) niin pitkälle kuin se menee.
- Säädä sahanterän tukirullaa (17) edellä kuvatulla tavalla.
- Vapauta lukitusvipu (3).

Sahanterän kiinnitys (kuva A – KS501)

- Ennen sahanterän (7) asennusta ja poistoa terän tukirullaa (17) on säädettävä taka-asentoon, jotta se ei kosketa terää.
- Löysää molemmat ruuvit (mutta älä poista niitä). (18).
- Pidä sahanterää (7) hampaat eteenpäin.
- Työnnä sahanterän (7) varsi teränpitimeen (8) niin pitkälle kuin se menee.

- Kohdista terä kiristämällä molempia ruuveja (18) ensin hieman ja kiristä ne sitten kokonaan.
- Säädä sahanterän tukirullaa (17) edellä kuvatulla tavalla.
- Voit irrottaa sahanterän (7) kääntämällä molempia ruuveja (18) kierroksen verran vastapäivään.

Pölynmurin kiinnittäminen työkaluun (kuva B – vain KS701E ja KS701PE)

- Liu'uta pölynpoistosuutin (9) pölynpoistoliihtäntään (5).

Muut riskit

Myös muut kuin turvavaroituksissa mainitut riskit ovat mahdollisia työkalua käytettäessä. Nämä riskit voivat liittyä muun muassa virheelliseen tai pitkäaikaiseen käyttöön. Tiettyjä jäännönsrkejä ei voi välttää, vaikka noudatetaan kaikkia turvamääräyksiä ja käytetään turvalaitteita. Näihin kuuluvat muun muassa

- pyörievien tai liikkuvien osien koskettamisen aiheuttamat vahingot
- osia, teriä tai lisävarusteita vaihdettaessa aiheutuneet vahingot
- työkalun pitkäaikaisen käytön aiheuttamat vahingot Kun käytät työkalua pitkään, varmista, että pidät säännöllisesti taukoja.
- kuulovauriot
- työkalua käytettäessä (esimerkiksi puuta, erityisesti tammaa, pyökkiä ja MDF-levyjä käsiteltäessä) syntyneen pölyn sisäänhengityksen aiheuttamat terveysriskit.

Käyttö

Jalustalevyn säätäminen viistosahausta varten (kuva C)

Varoitus! Älä koskaan käytä työkalua, kun jalustalevy on löysällä tai irrottettu.

Jalustalevy (4) voidaan kääntää vasempaan tai oikeaan 45° viistoon kulmaan.

- Löysää ruuvit (10). Osassa malleja on vain yksi ruuvi.
- Vedä jalustalevy (4) eteen, käännä se vasemmalle tai oikealle ja paina se takaisin 45 asteen kulmaan (vain KS701E ja KS701PE).
- Työnnä jalustalevy (4) taakse, käännä se oikealle ja vedä se takaisin 45 asteen kulmaan (vain KS501).
- Kiristä ruuvit.

Voit palauttaa jalustalevyn (4) asennon 90 asteen sahauskseen varten seuraavasti:

- Löysää ruuvit (10).
- Vedä jalustalevy (4) eteen, käännä se keskelle ja paina se takaisin 0 asteen kulmaan.
- Kiristä ruuvit.

Nopeudensäätö (vain KS701E ja KS701PE)

- Sahaa puuta suurimmalla nopeudella, alumiinia ja PVC:tä keskinopeudella ja muita metalleja hitaalla nopeudella.

Käynnistys ja pysäytys

- ◆ Käynnistä laite painamalla nopeudensäätökytkintä (KS701E ja KS701PE) tai virtakytkintä (KS501) (1). Laitteiden KS701E ja KS107PE käyttönopeus riippuu siitä, kuinka pitkälle kytkintä painetaan.
- ◆ Jatkuvaa käyttöä varten paina lukituspainiketta (2) ja paina nopeudensäätökytkintä. Tämä vaihtoehto on käytettävissä vain laitteen toimisessa täydellä nopeudella.
- ◆ Sammuta laite vapauttamalla nopeudensäätökytkin. Sammuta työkalu jatkuvan käytön aikana painamalla nopeudensäätökytkintä tai virtakytkintä uudelleen ja vapauttamalla se.

Sightline®-ominaisuuden käyttäminen (kuva D)

- ◆ Merkitse sahauslinja lyijykynällä.
- ◆ Aseta pistosaha viivan (11) päälle.

Linjaa voi helposti seurata katsomalla sitä suoraan pistosahan yläpuolelta.

Sahaustila (vain KS701PE)

Heiluri-iskussa tai -toiminnossa terä liikkuu tavallista aggressiivisemmin. Se on tarkoitettu pehmeiden aineiden, kuten puun tai muovin, leikkaamiseen. Se nopeuttaa leikkaamista, mutta sahausjälki on tavallista epätasaisempi. Pistosahassa on heiluri-iskun säädin. Säätimen käyttö on esitelty seuraavassa osiossa.

Huom! Älä koskaan käytä heiluritoimintoa metallia sahatessasi.

Heiluri-iskun säädin (kuva E – vain KS701PE)

KS701PE-mallissa on seuraavat neljä heiluritoiminnoltaan porrastettua sahaustilaa:

- ◆ **Asento 0:** metalli ja alumiini sekä ohuet metallilevyt (ei heiluritoimintoa).
- ◆ **Asento 1:** laminaatit, kovapuu ja työtasot.
- ◆ **Asento 2:** vaneri ja PVC/muovit.
- ◆ **Asento 3:** pehmeä puu ja nopea sahaus.

Heiluritoiminnon säätö:

- ◆ Kierrä heiluri-iskun valitsin (6) haluamaasi asentoon.

Sahaus

Pitele sahaus tukevasti molemmin käsin sahausajan aikana. Jalustalevy (4) on painettava lujasti sahattavaa materiaalia vasten. Tällöin saha ei pääse hyppimään ja tärisemään. Näin parhaiten estetään terän katkeaminen.

- ◆ Anna terän liikua vapaasti muutaman sekunnin ajan ennen kuin aloitat sahaamisen.
- ◆ Paina työkalua vain kevyesti, kun sahaat.

Vinkkejä parhaimman tuloksen saavuttamiseksi

Laminaattien sahaaminen

Laminaattia sahatessa voi esiintyä säilytymistä, mikä voi vahingoittaa käsiteltyä pintaa. Yleisimmin käytetyt sahanterät liikkuvat ylöspäin, joten jos jalustalevy on käsitellyllä pinnalla, käytä alaspäin liikkuvaa sahanterää tai tee jokin seuraavista:

- ◆ Käytä pienihampaista sahanterää.
- ◆ Saha työkaluun taustapuolelta.
- ◆ Minimoi säilytymisen puristamalla palat hukkapuuta tai kovalevyä työkaluun molemmille puolille ja sahaa kaikkien kerrosten läpi.

Metallin sahaaminen

Varoitus! Älä käytä pölynpoistoa metallia sahatessasi.

Sahatessa irtoavat metallinpurut ovat hyvin kuumia ja voivat aiheuttaa tulipalon.

Ota huomioon, että metallin sahaaminen on huomattavasti hitaampaa kuin puun.

- ◆ Käytä metallin sahaamiseen sopivaa sahanterää.
- ◆ Kun sahaat ohutta metalliarkkia, purista palat hukkapuuta työkaluun molemmille puolille ja sahaa kaikkien kerrosten läpi.
- ◆ Levitä ohut kerros öljyä aiotulle sahauslinjalle.

Halkaisusahausvaste (vain KS701E ja KS701PE)

Halkaisusahaus ja pyöreileikkaus ilman lyijykynällä piirrettyä ohjausviivaa on helppoa käyttämällä halkaisusahausvastetta ja pyöreöhjainta (saatavana lisävarusteena, osanumero X43005-XJ).

Halkaisusahausvasteen kiinnittäminen (kuvat F ja G)

- ◆ Aseta halkaisusahausvaste (14) jaluslevyssä oleviin koloihin vastelevy alaspäin kuvan F osoittamalla tavalla.
- ◆ Laita ruuvi (15) jaluslevyn pohjassa olevaan reikään.
- ◆ Kohdistu kiinnike (16) ruuvien kohdalle niin, että kaartuva reuna osoittaa alaspäin ja sahan takaosaa kohti.
- ◆ Kierrä ruuvi kiinnikkeessä olevaan kierteiseen reikään ristipäämeissellillä kuvan G mukaisesti.
- ◆ Säädä sahauslevyden mukaiseksi ja kiristä ruuvi.

Pyörösahaus (kuva H – vain KS701E ja KS701PE)

- ◆ Aseta halkaisusahausvaste jaluslevyn oikealla puolella olevaan koloon vastelevy ylöspäin.
- ◆ Säädä terän ja halkaisusahausvasteessa olevan reiän välinen etäisyys sopivaksi liikuttamalla vaakapalkkia ja kiristä ruuvi.
- ◆ Aseta saha niin, että vaakapalkissa olevan reiän keskikohta on sahattavan ympyrän keskikohdassa (saata terä oikeaan asentoon tekemällä sukellussahaus, poraamalla terälle reikä tai sahaamalla materiaalin reunasta sisäänpäin).
- ◆ Kun sahan asento on oikea, merkitse sahattavan ympyrän keskipiste lyömällä pieni naula vaakapalkissa olevan reiän läpi.
- ◆ Aloita ympyrän sahaaminen käyttäen halkaisusahausvastetta kiertovartena.

Sukellussahaus (kuva I)

Sukellussahaus on helppo tapa tehdä pistoleikkaus. Sahan saa siten suoraan paneelin tai levyyn poraamatta terälle ensin ohjausreikää. Mittaa sahattava pinta ja merkitse se selvästi lyijykynällä. Kallista sahaa eteenpäin, kunnes jaluslevyn etupää on tukevasti työtasolla ja terälle on täyden iskunpituuden verran tilaa. Käynnistä työkalu ja anna sen saavuttaa maksiminopeus. Ote sahasta tukeva ote ja laske työkalun takareunaa hitaasti, kunnes terä saavuttaa täyden syvyyden. Paina jalustalevy tasaisesti puuta vasten ja aloita sahaus. Älä nosta terää sahausurasta sen ollessa vielä liikkeessä. Terän on ensin pysähdyttävä kokonaan.

Huolto

BLACK+DECKER-tökalu on suunniteltu toimimaan mahdollisimman pitkän aikaa mahdollisimman vähällä huollolla. Oikealla huollolla ja säännöllisellä puhdistuksella työkalu säilyttää suorituskykynsä.

- ◆ Puhdista laitteen ilma-aukot säännöllisesti pehmeällä harjalla tai kuivalla rievulla.
- ◆ Puhdista moottorin kotelo säännöllisesti kostealla liinalla. Älä koskaan käytä puhdistamiseen liuotainaineita tai syövyttäviä puhdistusaineita. Älä koskaan päästä nestettä valumaan työkalun sisään. Älä koskaan upota mitään työkalun osaan nesteeseen.

Virtapistokkeen vaihto (vain Iso-Britannia ja Irlanti)

Jos joudut vaihtamaan virtapistokkeen:

- ◆ Hävitä vanha pistoke ympäristöstävällisesti.
- ◆ Liitä ruskea johto uuden pistokkeen jännitteeseen napaan.
- ◆ Liitä sininen johto tähtipisteliittimeen.

Varoitus! Maadoitusliittimeen ei liitetä johtoa. Noudata pistokkeen mukana toimitettuja kiinnitysohjeita. Suositeltava sulake: 5 A.

Ympäristönsuojelu



Erillinen keräys. Tätä tuotetta ei saa hävittää normaalin kotitalousjätteen mukana.

Kun BLACK+DECKER-laitteesi aikanaan täytyy vaihtaa tai ei kelpaa enää käyttöön, älä hävitä laitetta kotitalousjätteen mukana. Toimita laite kierrätettäväksi.



Käytettyjen tuotteiden ja pakkausmateriaalien erilliskeruun avulla materiaalit voidaan kierrättää ja käyttää uudelleen.

Kierrätysmateriaalien käyttö auttaa vähentämään ympäristön saastumista ja uusien raaka-aineiden tarvetta.

Paikalliset säädökset saattavat määrätä, että kodin sähkötuotteiden keruu tapahtuu kaupunkien jätteidenkäsittelyasemilla tai laitteita myyvässä liikkeessä uuden tuotteen oston yhteydessä.

Kun laitteesi on käytetty loppuun, älä hävitä sitä tavallisten roskien mukana, vaan vie se paikkakuntasi kierrätyskeskukseen tai jätä se valtuutettuun BLACK+DECKER-huoltoliikkeeseen.

Saat valtuutettujen huoltoliikkeiden yhteystiedot ottamalla yhteyden BLACK+DECKERiin tässä käyttöoppaassa ilmoitetussa osoitteessa. Valtuutettujen BLACK+DECKER-huoltoliikkeiden yhteystiedot sekä lisätietoja palveluistamme ja takuuhoidoista on myös Internetissä osoitteessa www.2helpU.com.

Tekniset tiedot

	KS501 (tyyppi 1)	KS701E/PE (tyyppi 1)
Syöttöjännite	V_{ac}	230
Kuormittamaton nopeus (KS501)	min^{-1}	3,000
nopeus (KS701E ja KS701PE)	min^{-1}	0-3,000
Suurin sahausssyvyys (KS501)	mm	65
Puu (KS701E ja KS701PE)	mm	70
	mm	5
Teräs (KS501)	mm	10
Alumiini (KS701E ja KS701PE)	mm	15
Paino (KS501)	kg	1.3
(KS701E)	kg	1.6
(KS701PE)	kg	1.7

KS501

L_{pA} (äänenpaine) 85.5 dB(A), epävarmuus (K) 3 dB(A)

L_{WA} (äänitehotaso) 96.5 dB(A), epävarmuus (K) 3 dB(A)

Tärinän kokonaisarvot (vektorisumma) standardin EN 60745 mukaisesti:

Leikattaessa puulevyjä ($a_{h,B}$) 9.3 m/s^2 , epävarmuus (K) 1.5 m/s^2

Leikattaessa metallilevyjä ($a_{h,M}$) 12.6 m/s^2 , epävarmuus (K) 1.5 m/s^2

KS701E

L_{pA} (äänenpaine) 88 dB(A), epävarmuus (K) 3 dB(A)

L_{WA} (äänitehotaso) 99 dB(A), epävarmuus (K) 3 dB(A)

Tärinän kokonaisarvot (vektorisumma) standardin EN 60745 mukaisesti:

Leikattaessa puulevyjä ($a_{h,B}$) 5.8 m/s^2 , epävarmuus (K) 1.5 m/s^2

Leikattaessa metallilevyjä ($a_{h,M}$) 6.3 m/s^2 , epävarmuus (K) 1.5 m/s^2

KS701PE

L_{pA} (äänenpaine) 89 dB(A), epävarmuus (K) 3 dB(A)

L_{WA} (äänitehotaso) 100 dB(A), epävarmuus (K) 3 dB(A)

Tärinän kokonaisarvot (vektorisumma) standardin EN 60745 mukaisesti:

Leikattaessa puulevyjä ($a_{h,B}$) 12.5 m/s^2 , epävarmuus (K) 1.5 m/s^2

Leikattaessa metallilevyjä ($a_{h,M}$) 9.9 m/s^2 , epävarmuus (K) 1.5 m/s^2

EY-vaatimustenmukaisuusvakuutus

KONEDIREKTIIVI



KS501 / KS701E / KS701PE

Black & Decker ilmoittaa, että tuotteet, jotka on kuvattu kohdassa "Tekniset tiedot" ovat seuraavien direktiivien vaatimusten mukaisia:

2006/42/EY, EN 60745-1, EN 60745-2-11

Nämä tuotteet täyttävät myös direktiivien 2014/30/EU ja 2011/65/EU vaatimukset. Lisätietoja saa ottamalla yhteyden Black & Deckeriin seuraavassa osoitteessa. Tiedot ovat myös käyttöoppaan takakannessa.

Allekirjoittanut vastaa teknisten tietojen kokoamisesta tehden tämän ilmoituksen Black & Deckerin puolesta.

Ray Laverick
Engineering Manager
Black & Decker Europe, 210 Bath Road, Slough,
Berkshire, SL1 34D,
Iso-Britannia
11/09/2014

Takuu

Black & Decker takaa, ettei tuotteessa ole materiaali- ja/tai valmistusvikaa silloin, kun se toimitetaan ostajalle. Takuu on lisäys kuluttajan laillisiin oikeuksiin eikä vaikuta niihin. Takuu on voimassa Euroopan unionin jäsenmaissa ja Euroopan vapaakauppa-alueella (EFTA).

Mikäli Black & Decker-tuotteessa ilmenee vika materiaali- ja/tai valmistusvirheen vuoksi 24 kk:n kuluessa ostopäivästä, Black & Decker vaihtaa kaikki vialliset osat, korjaa normaalille kulumiselle altistuneet tuotteet tai vaihtaa tällaiset tuotteet, jotta asiakkaalle koituisi mahdollisimman vähän haittaa. Takuu raukeaa seuraavissa tilanteissa:

- ◆ Tuotetta on käytetty kaupallisesti, ammattimaisesti tai vuokraukseen.
- ◆ Tuotetta on käytetty tai hoidettu virheellisesti.
- ◆ Tuotteessa on vieraan esineen, vieraan aineen tai onnettomuustapauksen aiheuttamaa vahinkoa.
- ◆ Korjauksia on tehnyt joku muu kuin Black & Deckerin valtuuttama edustaja tai Black & Deckerin henkilökunta.

Edellytyksenä takuun saamiselle on, että ostaja jättää koneen ja ostokuitin jälleenmyyjälle tai valtuutetulle huoltoliikkeelle. Saat valtuutettujen huoltoliikkeiden yhteystiedot ottamalla yhteyden Black & Deckeriin tässä käyttöoppaassa ilmoitetussa osoitteessa. Valtuutettujen Black & Decker-huoltoliikkeiden yhteystiedot sekä lisätietoja palveluistamme ja takuehdoista on myös Internetissä osoitteessa www.2helpU.com

Käy verkkosivuiltamme osoitteessa www.blackanddecker.fi ja rekisteröi uusi BLACK+DECKER-tuotteesi. Sivuilta saat myös tietoa uusista tuotteista ja erikoistarjouksista. Lisätietoja BLACK+DECKER-tavaramerkistä ja tuotevalikoimastamme on osoitteessa www.blackanddecker.eu.

Ενδεειγμένη χρήση

Το πριόνι-σέγα BLACK+DECKER έχει σχεδιαστεί για το πριόνισμα ξύλου, μετάλλου και πλαστικών. Αυτό το εργαλείο προορίζεται μόνο για ερασιτεχνική χρήση.

Οδηγίες ασφαλείας

Γενικές προειδοποιήσεις ασφαλείας για τα ηλεκτρικά εργαλεία



Προειδοποίηση! Διαβάστε όλες τις προειδοποιήσεις ασφαλείας και όλες τις οδηγίες. Η μη τήρηση των παρακάτω προειδοποιήσεων και οδηγιών μπορεί να προκαλέσει ηλεκτροπληξία, πυρκαγιά ή/και σοβαρούς τραυματισμούς.

Φυλάξτε όλες τις προειδοποιήσεις και τις οδηγίες για μελλοντική αναφορά. Ο χαρακτηρισμός "ηλεκτρικό εργαλείο" που χρησιμοποιείται σε όλες τις παρακάτω προειδοποιήσεις αφορά είτε το εργαλείο που συνδέεται στην πρίζα (με καλώδιο) είτε το εργαλείο που λειτουργεί με μπαταρία (χωρίς καλώδιο).

1. Ασφάλεια χώρου εργασίας

- a. **Διατηρείτε το χώρο εργασίας καθαρό και καλά φωτισμένο.** Οι ακατάστατοι χώροι και τα σημεία χωρίς καλό φωτισμό προκαλούν ατυχήματα.
- β. **Μη χρησιμοποιείτε ηλεκτρικά εργαλεία σε περιβάλλον όπου υπάρχει κίνδυνος έκρηξης, π.χ. παρουσία εύφλεκτων υγρών, αερίων ή σκόνης.** Τα ηλεκτρικά εργαλεία μπορεί να δημιουργήσουν σπινθήρισμό ο οποίος μπορεί να αναφλέξει τη σκόνη ή τις αναθυμιάσεις.
- γ. **Όταν χρησιμοποιείτε το ηλεκτρικό εργαλείο, κρατάτε τα παιδιά και τυχόν άλλα άτομα μακριά από το χώρο εργασίας.** Εάν αποσπαστεί η προσοχή σας μπορεί να χάσετε τον έλεγχο.

2. Ασφαλής χρήση ηλεκτρικού ρεύματος

- a. **Το φως του καλωδίου του ηλεκτρικού εργαλείου πρέπει να ταίριαζει στην αντίστοιχη πρίζα. Δεν επιτρέπεται με κανέναν τρόπο η μετασκευή του φως. Μη χρησιμοποιείτε φως προσαρμογής με γειωμένα ηλεκτρικά εργαλεία.** Τα φως που δεν έχουν υποστεί τροποποιήσεις και οι κατάλληλες πρίζες μειώνουν τον κίνδυνο ηλεκτροπληξίας.
- β. **Αποφύγετε την επαφή του σώματός σας με γειωμένες επιφάνειες, όπως σωλήνες, θερμοανκία σώματα (καλοριφέρ), κουζίνες και ψυγεία.** Όταν το σώμα σας είναι γειωμένο, αυξάνεται ο κίνδυνος ηλεκτροπληξίας.
- γ. **Μην εκθέτετε τα ηλεκτρικά εργαλεία σε βροχή ή υγρασία.** Η εισχώρηση νερού στο ηλεκτρικό εργαλείο αυξάνει τον κίνδυνο ηλεκτροπληξίας.
- δ. **Μην κακομεταχειρίζεστε το καλώδιο. Μη χρησιμοποιείτε ποτέ το καλώδιο για να μεταφέρετε το εργαλείο, να το τραβήξετε ή να το αποσυνδέσετε από την πρίζα. Κρατάτε το καλώδιο μακριά από θερμότητα, λάδια, αιχμηρά άκρα ή κινούμενα μέρη.** Τυχόν χαλασμένα ή μπερδεμένα καλώδια αυξάνουν τον κίνδυνο ηλεκτροπληξίας.
- ε. **Όταν χρησιμοποιείτε το ηλεκτρικό εργαλείο σε εξωτερικούς χώρους, να χρησιμοποιείτε πάντοτε καλώδια προέκτασης κατάλληλα για χρήση σε εξωτερικούς χώρους.** Η χρήση προεκτάσεων κατάλληλων για εργασία σε εξωτερικούς χώρους μειώνει τον κίνδυνο ηλεκτροπληξίας.
- στ. **Εάν η χρήση ενός ηλεκτρικού εργαλείου σε μία υγρή τοποθεσία είναι αναπόφευκτη, χρησιμοποιήστε μια Διάταξη Προστασίας Ρεύματος Διαρροής (RCD). Η χρήση διάταξης RCD μειώνει τον κίνδυνο ηλεκτροπληξίας.**

3. Προσωπική ασφάλεια

- a. **Όταν χρησιμοποιείτε το ηλεκτρικό εργαλείο, να είστε προσεκτικοί, να δίνετε προσοχή στην εργασία που κάνετε και να επιστρατεύετε την κοινή λογική. Μη χρησιμοποιείτε το ηλεκτρικό εργαλείο όταν είστε κουρασμένοι ή όταν βρίσκεστε υπό την επήρεια ναρκωτικών, οινοπνεύματος ή φαρμάκων.** Μια στιγμή απροσεξία κατά το χειρισμό του ηλεκτρικού εργαλείου μπορεί να οδηγήσει σε σοβαρούς τραυματισμούς.
- β. **Να χρησιμοποιείτε εξοπλισμό προσωπικής προστασίας. Να φοράτε πάντα προστατευτικά γυαλιά.** Ο κίνδυνος τραυματισμών μειώνεται όταν χρησιμοποιείτε εξοπλισμό προστασίας, όπως μάσκα προστασίας από σκόνη, αντιολισθητικά παπούτσια ασφαλείας, κράνη ή ιασηπίδες, ανάλογα με τις συνθήκες εργασίας.
- γ. **Εμπόδιστε την ακούσια ενεργοποίηση του εργαλείου. Βεβαιωθείτε ότι ο διακόπτης λειτουργίας βρίσκεται στη θέση "OFF" πριν συνδέσετε το εργαλείο στην πρίζα ή/και στην μπαταρία και πριν το σηκώσετε ή το μεταφέρετε.** Η μεταφορά ηλεκτρικών εργαλείων με το δάχτυλό σας επάνω στο διακόπτη ή η σύνδεση στην πρίζα ηλεκτρικών εργαλείων με το διακόπτη στη θέση ενεργοποίησης, ενέχει κινδύνους πρόκλησης ατυχημάτων.
- δ. **Πριν θέσετε το ηλεκτρικό εργαλείο σε λειτουργία, αφαιρέστε τυχόν εργαλεία ή κλειδιά ρύθμισης.** Εάν αφήσετε ένα εργαλείο ή κλειδί πάνω σε κάποιο περιστρεφόμενο εξάρτημα ενός ηλεκτρικού εργαλείου μπορεί να προκληθούν τραυματισμοί.
- ε. **Μην τεντώνεστε. Φροντίστε πάντοτε να έχετε την κατάλληλη στάση και να διατηρείτε την ισορροπία σας.** Αυτό σας επιτρέπει τον καλύτερο έλεγχο του ηλεκτρικού εργαλείου σε περιπτώσεις απροσδόκων καταστάσεων.
- στ. **Φοράτε κατάλληλη ενδυμασία εργασίας. Μη φοράτε φαρδιά ρούχα ή κοσμήματα. Κρατάτε τα μαλλιά, τα ενδύματα και τα γάντια σας μακριά από τα κινούμενα εξαρτήματα.** Τα φαρδιά ρούχα, τα κοσμήματα και τα μακριά μαλλιά μπορεί να εμπλακούν στα κινούμενα εξαρτήματα.
- ζ. **Αν παρέχονται διατάξεις απαγωγής και συλλογής της σκόνης, βεβαιωθείτε ότι είναι συνδεδεμένες και ότι χρησιμοποιούνται σωστά.** Η χρήση συλλογής σκόνης μειώνει τους κινδύνους που σχετίζονται με τη σκόνη.

4. Χρήση και φροντίδα του ηλεκτρικού εργαλείου

- a. **Μην υπερφορτώνετε το ηλεκτρικό εργαλείο. Χρησιμοποιείτε για την εκάστοτε εργασία σας το ηλεκτρικό εργαλείο που προορίζεται γι' αυτήν.** Με το κατάλληλο ηλεκτρικό εργαλείο, εργάζεστε καλύτερα και ασφαλέστερα στην ονομαστική περιοχή ισχύος του.
- β. **Μη χρησιμοποιείτε το ηλεκτρικό εργαλείο αν ο διακόπτης λειτουργίας του είναι χαλασμένος.** Οποιοδήποτε ηλεκτρικό εργαλείο του οποίου η λειτουργία δεν μπορεί να ελεγχθεί με το διακόπτη είναι επικίνδυνο και πρέπει να επισκευαστεί.
- γ. **Βγάλτε το φως από την πρίζα ή/και την μπαταρία από το ηλεκτρικό εργαλείο, πριν διεξαγάγετε κάποια εργασία ρύθμισης, πριν αλλάξετε κάποιο εξάρτημα ή όταν πρόκειται να αποθηκεύσετε τα ηλεκτρικά εργαλεία.** Αυτά τα προληπτικά μέτρα ασφαλείας μειώνουν τον κίνδυνο να τεθεί το εργαλείο ακούσια σε λειτουργία.
- δ. **Να φυλάτε τα ηλεκτρικά εργαλεία που δεν χρησιμοποιείτε μακριά από παιδιά. Μη αφήνετε άτομα που δεν είναι εξοικειωμένα με το ηλεκτρικό εργαλείο ή που δεν έχουν διαβάσει αυτές τις οδηγίες χρήσης να το χρησιμοποιήσουν.** Τα ηλεκτρικά εργαλεία είναι επικίνδυνα όταν χρησιμοποιούνται από άτομα χωρίς κατάλληλη εκπαίδευση.
- ε. **Να συντηρείτε τα ηλεκτρικά εργαλεία. Ελέγξτε εάν τα κινούμενα εξαρτήματα είναι σωστά ευθυγραμμισμένα**

ή μήπως έχουν μπλοκάρει, μήπως έχουν σπάσει κομμάτια, καθώς και εάν πληρούνται όλες οι υπολόγιμες προϋποθέσεις που ενδεχομένως να επηρεάσουν τη σωστή λειτουργία του εργαλείου. Δώστε τυχόν χαλασμένα εξαρτήματα του ηλεκτρικού εργαλείου για επίσκεψη πριν το χρησιμοποιήσετε πάλι. Η ανεπαρκής συντήρηση των ηλεκτρικών εργαλείων αποτελεί αιτία πολλών ατυχημάτων.

- στ. Διατηρείτε τα κοπτικά εργαλεία κωφερά και καθαρά.**
Τα κοπτικά εργαλεία με αιχμηρά κοπτικά άκρα που συντηρούνται σωστά έχουν λιγότερες πιθανότητες να μπλοκάρουν και ελέγχονται ευκολότερα.
- ζ. Να χρησιμοποιείτε τα ηλεκτρικά εργαλεία, τα εξαρτήματα και τα άκρα των εργαλείων κλπ. σύμφωνα με τις προαυσιές οδηγίες, λαμβάνοντας υπόψη σας τις συνθήκες εργασίας και την εργασία που θέλετε να εκτελέσετε.** Η χρήση του ηλεκτρικού εργαλείου για εργασίες πέρα από τις προβλεπόμενες μπορεί να οδηγήσει σε επικίνδυνες καταστάσεις.
- 5. Τεχνική εξυπηρέτηση**
- α. Το σέρβις του ηλεκτρικού σας εργαλείου πρέπει να αναλαμβάνει έμπειρος τεχνικός που θα χρησιμοποιεί μόνο γνήσια ανταλλακτικά.** Έτσι εξασφαλίζεται η διατήρηση της ασφάλειας του ηλεκτρικού εργαλείου.

Συμπληρωματικές προειδοποιήσεις ασφαλείας για τα ηλεκτρικά εργαλεία



Προειδοποίηση! Οδηγίες ασφαλείας για όλα τα δισκοπρίονα

- ◆ **Κρατάτε το ηλεκτρικό εργαλείο από τις μονωμένες επιφάνειες συγκράτησης, όταν εκτελείτε κάποια εργασία κατά την οποία το εξάρτημα κοπής μπορεί να έρθει σε επαφή με κρυμμένα καλώδια.** Ένα εξάρτημα κοπής το οποίο έρχεται σε επαφή με ηλεκτροφόρο καλώδιο μπορεί να καταστήσει και τα εκτεθειμένα μεταλλικά μέρη του ηλεκτρικού εργαλείου ηλεκτροφόρα και να προκαλέσει ηλεκτροπληξία στο χειριστή του.
- ◆ **Χρησιμοποιείτε σφινγκήρες ή άλλα πρακτικά μέσα για να ασφαλίσετε και να στηρίξετε το προς επεξεργασία αντικείμενο σε μια σταθερή βάση.** Η συγκράτηση του κατεργαζόμενου τεμαχίου με το χέρι ή επάνω στο σώμα σας το καθιστά ασταθές και μπορεί να οδηγήσει σε απώλεια του ελέγχου.
- ◆ **Μην πλησιάζετε τα χέρια σας στην περιοχή κοπής.** Ποτέ μην πλησιάζετε τα χέρια σας κάτω από το υπό επεξεργασία αντικείμενο για οποιονδήποτε λόγο. Μην πλησιάζετε τα δάχτυλα ή τον αντίχειρά σας κοντά στην παλλόμενη λάμα και το σφινγκήρα της λάμας. Μη σταθεροποιείτε το πρίονι κρατώντας το από το πέλδιλο.
- ◆ **Διατηρείτε τις λάμες κωφερές.** Οι στομιωμένες ή κατεστραμμένες λάμες μπορεί να προκαλέσει παρέκκλιση του πριονιού ή διακοπή της λειτουργίας του υπό πίεση. Χρησιμοποιείτε πάντα τον κατάλληλο τύπο πριονόλαμας ανάλογα το υλικό του προς επεξεργασία αντικείμενου και τον τύπο κοπής.
- ◆ **Όταν κόβετε σωληνες ή αγωγούς βεβαιωθείτε ότι δεν περιέχουν νερό, ηλεκτρικές καλωδιώσεις, κ.τ.λ.**
- ◆ **Μην αγγίζετε το προς επεξεργασία αντικείμενο ή τη λάμα αμέσως μετά τη χρήση του εργαλείου.** Μπορεί να είναι πολύ ζεστά.
- ◆ **Προσέχετε τους κρυφούς κινδύνους και, πριν από την κοπή τοίχων, δαπέδων ή ταβανιών, ελέγχετε για τυχόν διερχόμενα καλώδια ή σωληνες.**
- ◆ **Η λάμα συνεχίζει να κινείται και μετά την απασφάλιση του διακόπτη.** Απενεργοποιείτε πάντα το εργαλείο και περιμένετε να σταματήσει εντελώς η πριονόλαμα προτού ακουμπήσετε κάτω το εργαλείο.

Προειδοποίηση! Η επαφή ή η εισπνοή της σκόνης που δημιουργούν οι εφαρμογές κοπής μπορεί να φέρουν κίνδυνο για την υγεία του χειριστή και των ατόμων που ενδεχομένως παρευρίσκονται. Φορέστε μάσκα σκόνης ειδικά σχεδιασμένη για προστασία έναντι της σκόνης και των αναθυμιάσεων και βεβαιωθείτε ότι τα άτομα που βρίσκονται ή εισέρχονται στο χώρο εργασίας είναι επίσης προστατευμένα.

- ◆ Η ενδεδειγμένη χρήση περιγράφεται σε αυτό το εγχειρίδιο οδηγιών. Η χρήση οποιοδήποτε αξεσουάρ ή προσαρτήματος ή η εκτέλεση οποιασδήποτε εργασίας με αυτό το εργαλείο διαφορετικής από αυτές που συστήνονται στο παρόν εγχειρίδιο οδηγιών ενδέχεται να εγκυμονεί κίνδυνο τραυματισμού και/ή ζημιάς σε ιδιοκτησία.

Ασφάλεια τρίτων

- ◆ Αυτό το εργαλείο δεν προορίζεται για χρήση από άτομα (στα οποία περιλαμβάνονται και τα παιδιά) με μειωμένες φυσικές, αντιληπτικές ή διανοητικές ικανότητες ή άτομα χωρίς εμπειρία και γνώσεις, παρά μόνο εφόσον επιτηρούνται ή τους έχουν δοθεί οδηγίες σχετικά με τη χρήση του εργαλείου από άτομο υπεύθυνο για την ασφάλειά τους.
- ◆ Τα παιδιά πρέπει να επιτηρούνται να να διασφαλίζεται ότι δεν παίζουν με το εργαλείο.

Δόνηση

Η δηλωμένη τιμή εκπομπής δόνησης που αναφέρεται στα τεχνικά χαρακτηριστικά και τη δήλωση συμμόρφωσης έχει μετρηθεί σύμφωνα με μια τυποποιημένη μέθοδο δοκιμής που παρέχεται από το πρότυπο EN 60745 και μπορεί να χρησιμοποιηθεί για τη σύγκριση ενός εργαλείου με ένα άλλο. Η δηλωμένη τιμή εκπομπής δόνησης μπορεί επίσης να χρησιμοποιηθεί σε έναν προκαταρκτικό προσδιορισμό της έκθεσης.

Προειδοποίηση! Η τιμή εκπομπής δόνησης κατά την πραγματική χρήση του ηλεκτρικού εργαλείου μπορεί να διαφέρει από τη δηλωμένη τιμή, ανάλογα με τον τρόπο που χρησιμοποιείται το εργαλείο. Η στάθμη δόνησης μπορεί να αυξηθεί πάνω από τη στάθμη που έχει δηλωθεί.

Κατά τον προσδιορισμό της έκθεσης σε δόνηση για τον καθορισμό των απαιτούμενων μέτρων ασφαλείας σύμφωνα με την οδηγία 2002/44/ΕΚ για την προστασία προσώπων που χρησιμοποιούν συχνά ηλεκτρικά εργαλεία στην εργασία τους, μια προσεγγιστική εκτίμηση της έκθεσης σε δόνηση πρέπει να λαμβάνει υπόψη τις πραγματικές συνθήκες χρήσης και τον τρόπο χρήσης του εργαλείου, συμπεριλαμβανομένων και όλων των επιμέρους τμημάτων του κύκλου εργασίας, όπως, πόσες φορές τέθηκε το εργαλείο εκτός λειτουργίας, πότε είναι σε λειτουργία χωρίς φορτίο επιπρόσθετα στο χρόνος πίεσης της σκανδάλης.

Ετικέτες στο εργαλείο

Τα ακόλουθα σύμβολα εμφανίζονται επάνω στη συσκευή:



Προειδοποίηση! Για να μειωθεί ο κίνδυνος τραυματισμού, ο χρήστης πρέπει να διαβάσει το εγχειρίδιο οδηγιών.

Ασφαλής χρήση ηλεκτρικού ρεύματος



Αυτό το εργαλείο διαθέτει διπλή μόνωση, επομένως δεν απαιτείται καλώδιο γείωσης. Ελέγχετε πάντοτε αν η τάση τροφοδοσίας αντιστοιχεί σε αυτήν που αναγράφεται στην πινακίδα χαρακτηριστικών.

- ♦ Αν το καλώδιο τροφοδοσίας είναι κατεστραμμένο, πρέπει να αντικατασταθεί από τον κατασκευαστή ή εξουσιοδοτημένο κέντρο τεχνικής υποστήριξης της BLACK+DECKER για την αποφυγή κινδύνου.

Χαρακτηριστικά

Αυτό το εργαλείο διαθέτει μερικά από ή όλα τα παρακάτω χαρακτηριστικά.

1. Διακόπτης μεταβλητής ταχύτητας (KS701E και KS701PE) ή διακόπτης On/Off (KS501)
2. Κομπί συνεχόμενης λειτουργίας
3. Μοχλός κλειδώματος πριονόλαμας
4. Πέδιλο
5. Έξοδος απαγωγής σκόνης (KS701E και KS701PE μόνο)
6. Διακόπτης επιλογής διαδρομής τάλαντωσης (KS701PE μόνο)

Συναρμολόγηση

Προειδοποίηση! Πριν επιχειρήσετε κάποια από αυτές τις εργασίες, βεβαιωθείτε ότι εργαλείο είναι απενεργοποιημένο και αποσυνδεδεμένο από την πρίζα και ότι η πριονόλαμα είναι σταματημένη. Οι πριονόλαμες μετά από χρήση μπορεί να είναι ζεστές.

Τοποθέτηση της πριονόλαμας (εικ. A - KS701E και KS701PE)

- ♦ Κρατήστε την πριονόλαμα (7) όπως υποδεικνύεται, με τα δόντια να κοιτούν προς τα εμπρός.
- ♦ Σπρώξτε το μοχλό κλειδώματος (3) μακριά από το πέδιλο (4).
- ♦ Τοποθετήστε το στέλεχος της πριονόλαμας μέσα στην υποδοχή της λάμας (8) όσο βαθιά πάει.
- ♦ Ρυθμίστε το ράουλο της βάσης πριονόλαμας (17) όπως περιγράφεται παραπάνω.
- ♦ Ελευθερώστε το μοχλό κλειδώματος (3).

Τοποθέτηση της πριονόλαμας (εικ. A - KS501)

- ♦ Πριν την τοποθέτηση ή την αφαίρεση της πριονόλαμας (7) πρέπει να ρυθμιστεί το ράουλο της βάσης της πριονόλαμας (17) στην πίσω θέση ώστε να μην έρχεται σε επαφή με τη λάμα.
- ♦ Χαλαρώστε (μην αφαιρέσετε) τις δύο βίδες. (18).
- ♦ Κρατήστε την πριονόλαμα (7) με τα δόντια να κοιτούν προς τα εμπρός.
- ♦ Τοποθετήστε το στέλεχος της πριονόλαμας (7) μέσα στην υποδοχή της λάμας (8) όσο βαθιά πάει.
- ♦ Σφίξτε ελαφρά τις δύο βίδες (18) εναλλάξ για να τοποθετηθεί η λάμα, και στη συνέχεια σφίξτε εντελώς τις δύο βίδες (18).
- ♦ Ρυθμίστε το ράουλο της βάσης πριονόλαμας (17) όπως περιγράφεται παραπάνω.
- ♦ Για να αφαιρέσετε την πριονόλαμα (7), περιστρέψτε και τις δύο βίδες (18) κατά μια στροφή αριστερόστροφα.

Σύνδεση ηλεκτρικής σκούπας στο εργαλείο (εικ. B - KS701E και KS701PE μόνο)

- ♦ Σύρετε το ακροφύσιο της σκούπας (9) μέσα από το στόμιο απαγωγής σκόνης (5).

Αναπόφευκτοι κίνδυνοι

Μπορεί να δημιουργηθούν επιπρόσθετοι αναπόφευκτοι κίνδυνοι, όταν χρησιμοποιείτε το εργαλείο, οι οποίοι ενδέχεται να μη συμπεριλαμβάνονται στις προειδοποιήσεις ασφαλείας που εσωκλείονται. Αυτοί οι κίνδυνοι μπορεί να προκληθούν από κακή χρήση, παρατεταμένη χρήση κτλ.

Ακόμα και με την τήρηση των σχετικών κανονισμών ασφαλείας και τη χρήση μέσων προστασίας, ορισμένοι κίνδυνοι δεν είναι δυνατό να εξαλειφθούν. Αυτοί περιλαμβάνουν:

- ♦ Τραυματισμούς από το άγχυγμα των περιστρεφόμενων/κινούμενων εξαρτημάτων.
- ♦ Τραυματισμούς από αλλαγή οποιωνδήποτε εξαρτημάτων, λεπίδων ή αξεσουάρ.
- ♦ Τραυματισμούς από παρατεταμένη χρήση του εργαλείου. Όταν χρησιμοποιείτε οποιοδήποτε εργαλείο για παρατεταμένες χρονικές περιόδους βεβαιωθείτε ότι κάνετε τακτικά διαλείμματα.
- ♦ Προβλήματα ακοής.
- ♦ Κίνδυνοι στην υγεία που προκαλούνται από την εισπνοή σκόνης όταν χρησιμοποιείτε το εργαλείο (παράδειγμα:- όταν επεξεργάζεστε ξύλο, ειδικά δρυς, οξιά και MDF.)

Χρήση

Ρύθμιση του πέδιλου για λοξές κοπές (εικ. C)

Προειδοποίηση! Μην χρησιμοποιείτε ποτέ το εργαλείο όταν το πέδιλο έχει χαλαρώσει ή έχει αφαιρεθεί.

Το πέδιλο (4) μπορεί να ρυθμιστεί για δεξιά ή αριστερή λοξή κοπή σε γωνία 45°.

- ♦ Χαλαρώστε τις βίδες. (10) Μερικά μοντέλα έχουν μία βίδα.
- ♦ Τραβήξτε το πέδιλο (4) εμπρός, περιστρέψτε το πέδιλο προς τα αριστερά ή τα δεξιά και σπρώξτε το πίσω στη θέση 45°. (KS701E και KS701PE μόνο).
- ♦ Σπρώξτε το πέδιλο (4) προς τα πίσω, περιστρέψτε το προς τα δεξιά και τραβήξτε το πίσω στη θέση 45°. (KS501 μόνο).
- ♦ Σφίξτε τις βίδες.

Για να ρυθμίσετε πάλι το πέδιλο (4) για τομές 90°:

- ♦ Χαλαρώστε τις βίδες. (10).
- ♦ Τραβήξτε το πέδιλο (4) εμπρός, περιστρέψτε το στο κέντρο και σπρώξτε το πίσω στη θέση 0°.
- ♦ Σφίξτε τις βίδες.

Έλεγχος μεταβλητής ταχύτητας (KS701E και KS701PE μόνο)

- ♦ Χρησιμοποιείτε μεγάλη ταχύτητα για το ξύλο, μέτρια ταχύτητα για το αλουμίνιο και το PVC και χαμηλή ταχύτητα για μέταλλα διαφορετικά από το αλουμίνιο.

Ενεργοποίηση και απενεργοποίηση

- ♦ Για να ενεργοποιήσετε το εργαλείο, πιέστε το διακόπτη μεταβλητής ταχύτητας (KS701E και KS701PE) ή το διακόπτη on/off (KS501) (1). Στις μονάδες KS701E και KS107PE η ταχύτητα λειτουργίας του εργαλείου εξαρτάται από το πόσο πιέζετε το διακόπτη.
- ♦ Για συνεχή λειτουργία, πατήστε το κομπί συνεχόμενης λειτουργίας (2) και πιέστε το διακόπτη μεταβλητής ταχύτητας. Η επιλογή αυτή είναι διαθέσιμη μόνο με τη μέγιστη ταχύτητα.
- ♦ Για να απενεργοποιήσετε το εργαλείο, πιέστε το διακόπτη μεταβλητής ταχύτητας. Για να απενεργοποιήσετε το εργαλείο όταν βρίσκεται σε συνεχή λειτουργία, πατήστε το διακόπτη μεταβλητής ταχύτητας ή το διακόπτη On/Off ακόμη μία φορά και αφίστε τον ελεύθερο.

Τρόπος χρήσης της λειτουργίας Sightline® (εικ. D)

- ♦ Χρησιμοποιήστε ένα μολύβι για να σημαδέψετε τη γραμμική κοπή.
- ♦ Τοποθετήστε τη σέγα πάνω από τη γραμμή (11). Βλέποντας κατευθείαν πάνω από τη σέγα, είναι εύκολο η παρακολούθηση της γραμμής κοπής.

Λειτουργία κοπής (KS701PE μόνο)

Η διαδρομή ή ενέργεια ταλάντωσης παρέχει μια πιο επιθετική κίνηση λάμας και είναι σχεδιασμένη για κοπή σε μαλακά υλικά, όπως ξύλο ή πλαστικό. Παρέχει ταχύτερη κοπή, αλλά με λιγότερο λεία κοπή κατά μήκος του υλικού. Η σέγα διαθέτει διακόπτη επιλογής διαδρομής ταλάντωσης. Η χρήση αυτού του διακόπτη παρουσιάζεται στην επόμενη ενότητα.

Σημείωση: Ποτέ μην χρησιμοποιείτε την παλινδρομική ενέργεια για την κοπή μετάλλου.

Διακόπτης επιλογής διαδρομής ταλάντωσης (εικ. E - KS701PE μόνο)

Το KS701PE διαθέτει αυτές τις τέσσερις λειτουργίες κοπής με αυξανόμενη ένταση ενέργειας ταλάντωσης:

- ◆ Θέση 0: μέταλλο και αλουμίνιο και μεταλλικά ελάσματα (χωρίς ενέργεια ταλάντωσης).
- ◆ Θέση 1: για ελάσματα, σκληρό ξύλο, επιφάνειες εργασίας.
- ◆ Θέση 2: για καπλαμάδες και PVC/Πλαστικά.
- ◆ Θέση 3: για μαλακό ξύλο και γρήγορες κοπές

Για να ρυθμίσετε την ενέργεια ταλάντωσης:

- ◆ Περιστρέψτε τον επιλογέα διαδρομής ταλάντωσης (6) στη θέση που επιθυμείτε.

Πριόνισμα

Κατά την κοπή, κρατάτε το εργαλείο καλά και με τα δύο χέρια. Το πέλδλο (4) θα πρέπει να πιέζεται με δύναμη επάνω στο προς κοπή υλικό. Κάτι τέτοιο αποτρέπει τις αναπηδρήσεις του πριονιού, μειώνει τις δονήσεις και ελαχιστοποιεί τις σπασμένες λάμες.

- ◆ Αφήστε τη λάμα να κινηθεί ελεύθερα για λίγα δευτερόλεπτα προτού ξεκινήσετε την κοπή.
- ◆ Κατά την εκτέλεση της κοπής, εφαρμόζετε μόνο μικρή πίεση στο εργαλείο.

Συμβουλές για άριστη χρήση**Πριόνισμα ελασμάτων**

Κατά το κόψιμο ελασμάτων μπορεί να επέλθει σχίσσιμο που θα καταστρέψει την εμφάνιση της επιφάνειας. Οι πιο κοινές πριονόλαμες κόβουν κατά τη διαδρομή προς τα πάνω, συνεντάς εάν το πέλδλο είναι σε επαφή με την επιφάνεια που θα φαίνεται είτε χρησιμοποιείτε μια πριονόλαμη η οποία κόβει κατά τη διαδρομή προς τα κάτω είτε:

- ◆ Χρησιμοποιείτε μια πριονόλαμη με λεπτά δόντια.
- ◆ Πριονίζετε από την πίσω επιφάνεια του αντικειμένου υπό επεξεργασία.
- ◆ Για να ελαχιστοποιήσετε το σχίσσιμο, στερεώστε με το σφικτήτρα ένα κομμάτι άχρηστου ξύλου ή κόντρα πλακέ και στις δύο πλευρές του αντικειμένου υπό επεξεργασία και πριονίστε ανάμεσα σε αυτό το σάντουιτς.

Πριόνισμα μετάλλου

Προειδοποίηση! Μην χρησιμοποιείτε ηλεκτρική σκούπα κατά την κοπή μετάλλων. Τα μεταλλικά νιφσίματα είναι θερμά και μπορούν να προκαλέσουν πυρκαγιά.

Να ξέρετε ότι το πριόνισμα μετάλλου παίρνει πολύ παραπάνω χρόνο από το πριόνισμα ξύλου.

- ◆ Χρησιμοποιείτε μια πριονόλαμη κατάλληλη για το πριόνισμα μετάλλου.
- ◆ Όταν κόβετε λεπτά μεταλλικά ελάσματα, στερεώστε με το σφικτήτρα ένα κομμάτι άχρηστου ξύλου στην πίσω επιφάνεια του αντικειμένου υπό επεξεργασία και κόψτε ανάμεσα σε αυτό το σάντουιτς.
- ◆ Απλώστε ένα λεπτό στρώμα λαδιού κατά μήκος της γραμμής που σκοπεύετε να κόψετε.

Πλέγμα απόσχισης (KS701E και KS701PE μόνο)

Η απόσχιση και κυκλική κοπή χωρίς γραμμή ίχνους από μολύβι μπορεί να εκτελεστεί εύκολα με ένα πλέγμα απόσχισης και οδηγό κυκλικής κοπής (διατίθεται ως προαιρετικό πρόσθετο εξάρτημα - αριθμός εξαρτήματος X43005-XJ).

Προσαρμογή πλέγματος απόσχισης (εικ. F & G)

- ◆ Εισαγάγετε το πλέγμα απόσχισης (14) στις υποδοχές του πέλδλου με την εγκάρσια δοκό στραμμένη προς τα κάτω, όπως φαίνεται στην εικόνα F.
- ◆ Τοποθετήστε τη βίδα (15) στην οπή στη βάση του πέλδλου.
- ◆ Ευθυγραμμίστε τη ράβδο σύσφιξης (16) επάνω από τη βίδα με στεφάνη, με την όψη προς τα κάτω και στραμμένη προς το πίσω μέρος του πριονιού.
- ◆ Χρησιμοποιώντας κατσαβίδι phillips, περάστε τη βίδα στη φρεζορισμένη οπή της ράβδου σύσφιξης, όπως φαίνεται στην εικόνα G.
- ◆ Προσαρμόστε στο πλάτος κοπής και συσφίξτε τη βίδα.

Κυκλική κοπή (εικ. H - KS701E και KS701PE μόνο)

- ◆ Εισαγάγετε το πλέγμα απόσχισης στην υποδοχή στη δεξιά πλευρά του πέλδλου με την εγκάρσια δοκό στραμμένη προς τα επάνω.
- ◆ Προσαρμόστε το πλέγμα απόσχισης έτσι ώστε η απόσταση από τη λάμα μέχρι την οπή της εγκάρσιας ράβδου να έχει την επιθυμητή ακτίνα και συσφίξτε τη βίδα.
- ◆ Τοποθετήστε το πριόνι έτσι ώστε το κέντρο της οπής στην εγκάρσια ράβδο να βρίσκεται επάνω από το κέντρο του κύκλου κοπής (εκτελέστε κοπή διάτρησης, διανοίξετε μια οπή για τη λάμα ή κόψτε προς τα μέσα από το άκρο του υλικού για να τοποθετήσετε τη λάμα).
- ◆ Όταν το πριόνι έχει τοποθετηθεί σωστά, περάστε ένα μικρό καρφί από την οπή στην εγκάρσια ράβδο, στο ακριβές κέντρο του κύκλου της κοπής.
- ◆ Χρησιμοποιώντας το πλέγμα απόσχισης ως βραχίονα περιστροφής, ξεκινήστε να κόβετε κυκλικά.

Κοπή διάτρησης (εικ. I)

Η κοπή διάτρησης είναι μια εύκολη μέθοδος για την εκτέλεση εσωτερικής κοπής. Το πριόνι μπορεί να εισαχθεί απευθείας σε ένα πλαίσιο ή σανίδα χωρίς πρώτα να διανοιχθεί οπή οδήγησης ή οδηγός. Στην τομή διάτρησης, μετρήστε την επιφάνεια προς κοπή και σημειώστε εμφανώς με μολύβι. Ακολουθώντας γείρετε το πριόνι προς τα εμπρός μέχρι το μπροστινό άκρο του πέλδλου να ακουμπήσει σταθερά στην επιφάνεια εργασίας και η λάμα να διαπερνά το τεμάχιο εργασίας στην πλήρη διαδρομή της. Ενεργοποιήστε το εργαλείο και αφήστε το να επιτύχει τη μέγιστη ταχύτητά του. Πιάστε σταθερά το πριόνι και κατεβάστε το πίσω άκρο του εργαλείου αργά μέχρι η λάμα να φθάσει σε πλήρη βάθος. Κρατήστε το πέλδλο επίπεδο στο ξύλο και ξεκινήστε την κοπή. Μην μετακινήσετε τη λάμα από την κοπή ενώ κινείται ακόμη. Η λάμα πρέπει να σταματήσει τελείως.

Συντήρηση

Αυτό το εργαλείο της BLACK+DECKER έχει σχεδιαστεί έτσι ώστε να λειτουργεί για μεγάλο χρονικό διάστημα με την ελάχιστη δυνατή συντήρηση. Η αδιάλειπτη και ικανοποιητική λειτουργία εξαρτάται από τη σωστή φροντίδα του εργαλείου και τον τακτικό καθαρισμό του.

- ◆ Καθαρίζετε τακτικά τις εγκοπές εξαιρισμού του εργαλείου με μια μαλακή βούρτσα ή με ένα στεγνό πανί.
- ◆ Καθαρίζετε τακτικά το περίβλημα του μοτέρ με βρεγμένο πανί. Μην χρησιμοποιείτε οποιοδήποτε διαβρωτικό ή διαλυτικό καθαριστικό. Μην επιτρέψετε ποτέ να εισέλθει στο εργαλείο κάποιο υγρό και μην βυθίζετε το εργαλείο σε υγρά.

Αντικατάσταση του ρευματολήπτη (H.B. & Ιρλανδία μόνο)

Εάν χρειαστεί να εγκαταστήσετε έναν καινούριο ρευματολήπτη (φίς):

- ◆ Απορρίψτε με ασφαλή τρόπο το παλιό φίς.
- ◆ Συνδέστε τον καφέ αγωγό στον ηλεκτροφόρο ακροδέκτη του νέου ρευματολήπτη.
- ◆ Συνδέστε τον μπλε αγωγό στον ουδέτερο ακροδέκτη.

Προειδοποίηση! Δεν χρειάζεται καμία σύνδεση στον ακροδέκτη γείωσης. Ακολουθήστε τις οδηγίες τοποθέτησης που παρέχονται με τους καλής ποιότητας ρευματολήπτες (φίς). Προτεινόμενη ασφάλεια τήξης: 5 A.

Προστασία του περιβάλλοντος



Ξεχωριστή περισυλλογή. Αυτό το προϊόν δεν πρέπει να απορρίπτεται μαζί με τα κοινά οικιακά απορρίμματα.

Εάν κάποια μέρα διαπιστώσετε ότι το προϊόν σας BLACK+DECKER χρειάζεται αντικατάσταση, ή ότι δεν το χρειάζεστε άλλο, μην το απορρίψετε μαζί με τα κοινά οικιακά απορρίμματα, αλλά κάντε αυτό το προϊόν διαθέσιμο για ξεχωριστή περισυλλογή.



Η ξεχωριστή περισυλλογή των μεταχειρισμένων προϊόντων και των υλικών συσκευασίας επιτρέπει την ανακύκλωση και επαναχρησιμοποίηση των υλικών. Με την επαναχρησιμοποίηση των ανακυκλωμένων υλικών αποτρέπεται η μόλυνση του περιβάλλοντος και μειώνεται η ζήτηση πρώτων υλών.

Οι κανονισμοί που ισχύουν στην περιοχή σας ενδέχεται να προβλέπουν την ξεχωριστή περισυλλογή των ηλεκτρικών συσκευών που προέρχονται από νοικοκυριά σε δημόσιες εγκαταστάσεις ή από τον έμπορο όταν αγοράσετε ένα καινούριο προϊόν.

Η BLACK+DECKER δίνει τη δυνατότητα ανακύκλωσης των προϊόντων της BLACK+DECKER που έχουν συμπληρώσει τη διάρκεια ζωής τους. Για να χρησιμοποιήσετε αυτήν την υπηρεσία, επιστρέψτε το προϊόν σας σε οποιοδήποτε εξουσιοδοτημένο κέντρο επισκευών, όπου θα το παραλάβουν εκ μέρους μας.

Ενημερωθείτε για το πλησιέστερο εξουσιοδοτημένο κέντρο επισκευών της περιοχής σας, επικοινωνώντας με τα γραφεία της BLACK+DECKER στη διεύθυνση που αναγράφεται στο εγχειρίδιο. Επίσης, μια λίστα με τα εξουσιοδοτημένα κέντρα επισκευών της BLACK+DECKER και πλήρεις λεπτομέρειες για τις υπηρεσίες που παρέχονται μετά την πώληση, καθώς και στοιχεία επικοινωνίας υπάρχουν στο Διαδίκτυο, στη διεύθυνση: www.2helpU.com

Τεχνικά χαρακτηριστικά

		KS501 (Τύπος 1)	KS701E/PE (Τύπος 1)	
Τάση εισόδου		V_{ac}	230	
Ταχύτητα χωρίς φορτίο	(KS501)	min^{-1}	3,000	
	(KS701E και KS701PE)	min^{-1}	0-3,000	
Μέγιστο βάθος κοπής	(KS501)	mm	65	
	Ξύλο	(KS701E και KS701PE)	mm	70
				mm
Χάλυβας	(KS501)	mm	10	
Αλουμίνιο	(KS701E και KS701PE)	mm	15	
Βάρος	(KS501)	kg	1.3	
	(KS701E)	kg	1.6	
	(KS701PE)	kg	1.7	

KS501

L_{pA} (ηχητική πίεση) 85.5 dB(A), Αβεβαιότητα (K) 3 dB(A)

L_{WA} (ηχητική ισχύς) 96.5 dB(A), αβεβαιότητα (K) 3 dB(A)

Συνολικές τιμές δόνησης (διανυσματικό άθροισμα τριών αξόνων) κατά EN 60745:

Κοπή φύλλων ($a_{h,B}$) 9.3 m/s^2 , αβεβαιότητα (K) 1.5 m/s^2

Κοπή μεταλλικών ελασμάτων ($a_{h,M}$) 12.6 m/s^2 , αβεβαιότητα (K) 1.5 m/s^2

KS701E

L_{pA} (ηχητική πίεση) 88 dB(A), Αβεβαιότητα (K) 3 dB(A)

L_{WA} (ηχητική ισχύς) 99 dB(A), αβεβαιότητα (K) 3 dB(A)

Συνολικές τιμές δόνησης (διανυσματικό άθροισμα τριών αξόνων) κατά EN 60745:

Κοπή φύλλων ($a_{h,B}$) 5.8 m/s^2 , αβεβαιότητα (K) 1.5 m/s^2

Κοπή μεταλλικών ελασμάτων ($a_{h,M}$) 6.3 m/s^2 , αβεβαιότητα (K) 1.5 m/s^2

KS701PE

L_{pA} (ηχητική πίεση) 89 dB(A), Αβεβαιότητα (K) 3 dB(A)

L_{WA} (ηχητική ισχύς) 100 dB(A), αβεβαιότητα (K) 3 dB(A)

Συνολικές τιμές δόνησης (διανυσματικό άθροισμα τριών αξόνων) κατά EN 60745:

Κοπή φύλλων ($a_{h,B}$) 12.5 m/s^2 , αβεβαιότητα (K) 1.5 m/s^2

Κοπή μεταλλικών ελασμάτων ($a_{h,M}$) 9.9 m/s^2 , αβεβαιότητα (K) 1.5 m/s^2

Δήλωση συμμόρφωσης ΕΚ

ΟΔΗΓΙΑ ΠΕΡΙ ΜΗΧΑΝΗΜΑΤΩΝ



KS501 / KS701E / KS701PE

Η Black & Decker δηλώνει ότι τα προϊόντα αυτά που περιγράφονται στα "τεχνικά χαρακτηριστικά" συμμορφώνονται με τα ακόλουθα:

2006/42/ΕΚ, EN 60745-1, EN 60745-2-11

Αυτά τα προϊόντα συμμορφώνονται επίσης με την Οδηγία 2014/30/ΕΕ και 2011/65/ΕΕ. Για περισσότερες πληροφορίες, παρακαλείστε να επικοινωνήσετε με την Black & Decker στην παρακάτω διεύθυνση ή να ανατρέξετε στο πίσω μέρος του εγχειριδίου.

Ο κάτωθι υπογεγραμμένος είναι υπεύθυνος για την κατάρτιση του τεχνικού φακέλου και δηλώνει τα παρόντα εκ μέρους της Black & Decker.

Ray Laverick

Υπεύθυνος Σχεδιασμού
Black & Decker Europe, 210 Bath Road, Slough,
Berkshire, SL1 34D,
Ηνωμένο Βασίλειο
11/09/2014

Εγγύηση

Η Black & Decker είναι σίγουρη για την ποιότητα των προϊόντων της και παρέχει σημαντική εγγύηση. Η παρούσα γραπτή εγγύηση αποτελεί πρόσθετο δικαίωμά σας και δεν ζημιώνει τα συμβατικά δικαιώματά σας. Η εγγύηση ισχύει εντός της επικράτειας των Κρατών Μελών της Ευρωπαϊκής Ένωσης και της Ευρωπαϊκής Ζώνης Ελευθέρων Συναλλαγών.

Σε περίπτωση που το προϊόν της Black & Decker παρουσιάσει βλάβη εξαιτίας ελαττωματικών υλικών, ποιότητας εργασίας ή έλλειψης συμφωνίας με τις προδιαγραφές εντός 24 μηνών από την ημερομηνία αγοράς, η Black & Decker εγγυάται την αντικατάσταση όλων των ελαττωματικών τμημάτων, την επισκευή προϊόντων που έχουν υποστεί εύλογη φθορά λόγω χρήσης ή την αντικατάσταση των προϊόντων προκειμένου να εξασφαλίσει την ελάχιστη ενόχληση στους πελάτες της, εκτός εάν:

- ◆ Το προϊόν έχει χρησιμοποιηθεί σε εργασιακό, επαγγελματικό περιβάλλον ή αν έχει ενοικιαστεί.
- ◆ Έχει γίνει εσφαλμένη χρήση του προϊόντος ή έχει παραμεληθεί.
- ◆ Το προϊόν έχει υποστεί βλάβη από άλλα αντικείμενα, από ουσίες ή λόγω ατυχήματος.
- ◆ Έχει γίνει προσπάθεια επισκευής από μη εξουσιοδοτημένα κέντρα επισκευών ή από προσωπικό που δεν ανήκει στο προσωπικό της Black & Decker.

Για να ισχύσει η εγγύηση, πρέπει να υποβάλετε απόδειξη αγοράς στον πωλητή ή το εξουσιοδοτημένο κέντρο επισκευών. Ενημερωθείτε για το πλησιέστερο εξουσιοδοτημένο κέντρο επισκευών της περιοχής σας, επικοινωνώντας με τα γραφεία της Black & Decker στη διεύθυνση που αναγράφεται στο εγχειρίδιο. Επίσης, μια λίστα με τα εξουσιοδοτημένα κέντρα επισκευών της Black & Decker και πλήρεις λεπτομέρειες για τις υπηρεσίες που παρέχονται μετά την πώληση, καθώς και στοιχεία επικοινωνίας υπάρχουν στο Διαδίκτυο, στη διεύθυνση: www.2helpU.com

Παρακαλούμε επισκεφθείτε την ιστοσελίδα μας www.blackanddecker.gr για να καταχωρήσετε το νέο σας προϊόν BLACK+DECKER και για να ενημερώσετε για τα νέα προϊόντα και τις ειδικές προσφορές. Περισσότερες πληροφορίες σχετικά με τη μάρκα BLACK+DECKER και τη σειρά των προϊόντων μας θα βρείτε στη διεύθυνση www.blackanddecker.eu.

Βελγίε/Βέλγιο/Λουξεμβούργο www.blackanddecker.be enduser.be@sbdinc.com	Stanley Black & Decker Belgium BVBA Egide Walschaertsstraat 16 2800 Mechelen	Τηλ. NL +32 15 47 37 65 Τηλ. FR +32 15 47 37 66 Fax. +32 15 47 37 99
Δανία	Black & Decker Roskildevej 22 2620 Albertslund	kundeservice.dk@sbdinc.com www.blackanddecker.dk
Γερμανία www.blackanddecker.de infobfge@sdbinc.com	Stanley Black & Decker Deutschland GmbH Black & Decker Str. 40, D - 65510 Idstein	Τηλ. 06126 21-0 Fax 06126 21-2980
Ελλάδα www.blackanddecker.gr greece.service@sbdinc.com	Stanley Black & Decker (ΕΛΛΑΣ) Ε.Π.Ε ΓΡΑΦΕΙΑ: Σπύρου 7 & Βουλιαγμένης 166 74 Γλυφάδα - Αθήνα	Τηλ. 210-8981616 Φαξ 210-8983570
ΤΕΧΝΙΚΗ ΕΞΥΠΗΡΕΤΗΣΗ: 210-8985208	Ημερος Τόπος 2 - Χάνι Αδάμ 193 00 Ασπρόπυργος - Αθήνα	Τηλ. Τεχνική εξυπηρέτηση Φαξ 210-5597598
Ισπανία www.blackanddecker.es respuesta.posventa@sbdinc.com	Stanley Black & Decker Ibérica, S.C.A. Parc de Negocis "Mas Blau" Edi cio Muntadas, c/Bergadà, 1, Of. A6 08820 El Prat de Llobregat (Barcelona)	Τηλ. 934 797 400 Fax 934 797 419
Γαλλία www.blackanddecker.fr	Black & Decker (Γαλλία) S.A.S. 5 allée des Hêtres B.P. 30084 69579 Limonest Cédex	Τηλ. 04 72 20 39 20 Fax 04 72 20 39 00
Helvetia www.blackanddecker.ch service@rofoag.ch	ROFO AG Gewerbezone Seeblick 3213 Kleinbödingen	Τηλ. 026-6749393 Fax 026-6749394
Ιταλία www.blackanddecker.it service_italia@sbdinc.com	Stanley Black & Decker Ιταλία Via Energypark 6 20871 Vimercate (MB)	Τηλ. 039-9590200 Fax 039-9590313 Numero verde 800-213935
Ολλανδία www.blackanddecker.nl enduser.nl@sbdinc.com	Stanley Black & Decker Netherlands BV Holtum Noordweg 35, 6121 RE BORN Postbus 83, 6120 AB BORN	Τηλ. +31 164 283 065 Fax +31 164 283 200
Νορβηγία	Black & Decker Postboks 4613, Nydalen 0405 Oslo	kundeservice.no@sbdinc.com www.blackanddecker.no
Αυστρία www.blackanddecker.at service_austria@sbdinc.com	Stanley Black & Decker Austria GmbH Oberlaaerstraße 248, A-1230 Wien	Τηλ. 01 66116-0 Fax 01 66116-614
Πορτογαλία www.blackanddecker.pt resposta.posvenda@sbdinc.com	Black & Decker Limited SARL Quinta da Fonte - Edifício Q55 D. Diniz Rua dos Malhões, 2 e 2A - Piso 2 Esquerdo 2770 - 071 Paço de Arcos	Τηλ. 214667500 Fax 214667580
Suomi	Black & Decker PL47 00521, Helsinki	asiakaspalvelu. @sbdinc.com www.blackanddecker.
Sverige	Black & Decker AB Box 94, 431 22 Mölndal	kundservice.se@sbdinc.com www.blackanddecker.se
Τүркіє www.blackanddecker.com.tr	KALE H rdavat ve Makina A.Ş. Defterdar Mah. Savaklar Cad. No:15 Edirnekap / Eyüp / İstanbul 34050	Τηλ. 0212 533 52 55 Fax. 0212 533 10 05
Ηνωμένο Βασίλειο & Δημοκρατία της Ιρλανδίας www.blackanddecker.gr emeaservice@sbdinc.com	Black & Decker 210 Bath Road Slough, Berkshire SL1 3YD	Τηλ. 01753 511234 Fax 01753 512365
Μέση Ανατολή & Αφρική www.blackanddecker.ae service.mea@sbdinc.com	Black & Decker P.O.Box - 17164 Jebel Ali Free Zone (South), Dubai, HAΔ	Τηλ. +971 4 8863030 Fax +971 4 8863333