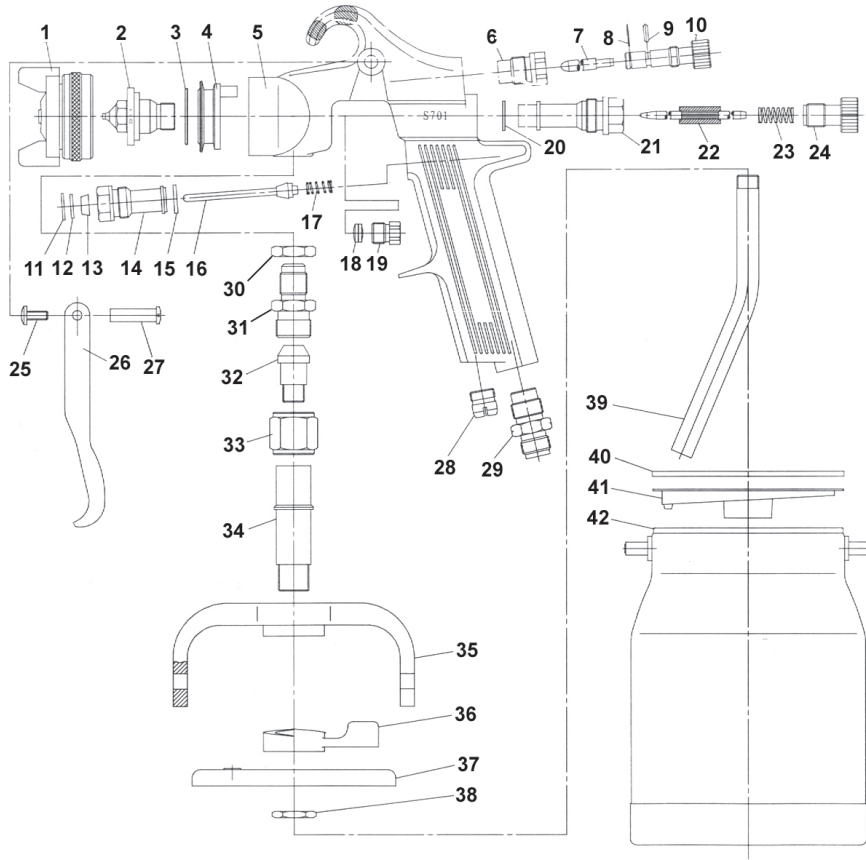


Parts Information:
**Spray Gun Professional Suction Feed
 1.8mm Set-Up
 Model No: S701.V3**



Item	Part No.	Description
1	S701.V3-01	AIR CAP (1.8mm)
2	S701.V3-02	FLUID NOZZLE (1.8mm)
3	S701.V3-03	GASKET
4	S701.V3-04	AIR DIVERSION
5	S701.V3-05	SPRAY GUN BODY
6	S701.V3-06	PACKING
7	S701.V3-07	PATTERN ADJUSTMENT VALVE
8	S701.V3-08	STOP RING
9	S701.V3-09	O-RING
10	S701.V3-10	ADJUSTMENT SCREW
11	S701.V3-11	STOP RING
12	S701.V3-12	GASKET
13	S701.V3-13	AIRPROOF PIECE
14	S701.V3-14	AIR VALVE PACKING SCREW
15	S701.V3-15	GASKET,PLASTIC
16	S701.V3-16	AIR VALVE POLE
17	S701.V3-17	AIR VALVE SPRING
18	S701.V3-18	NEEDLE PACKING
19	S701.V3-19	NEEDLE PACKING SCREW
20	S701.V3-20	NEEDLE SLEEVE PACKING
21	S701.V3-21	NEEDLE SLEEVE
22	S701.V3-22	NEEDLE (1.8mm)

Item	Part No.	Description
23	S701.V3-23	NEEDLE SPRING
24	S701.V3-24	NEEDLE ADJUSTMENT SCREW
25	S701.V3-25	TRIGGER BEARING SCREW
26	S701.V3-26	TRIGGER
27	S701.V3-27	TRIGGER BEARING STUD
28	S701.V3-28	AIRPROOF SCREW
29	S701.V3-29	AIR SCREW
30	S701.V3-30	LOCKNUT
31	S701.V3-31	JOINT
32	S701.V3-32	FLUID JOINT
33	S701.V3-33	CONNECTOR SCREW CAP
34	S701.V3-34	CONNECTOR GUIDE
35	S701.V3-35	PAINT CUP BRACKET
36	S701.V3-36	PAINT CUP TRIGGER
37	S701.V3-37	PAINT CUP COVER
38	S701.V3-38	FLUID POLE SCREW
39	S701.V3-39	FLUID POLE
40	S701.V3-40	PAINT CUP GASKET
41	S701.V3-41	BLOWHOLE COVER
42	S701.V3-42	PAINT CUP
--	S701.V3-43	S701.V3 SET-UP 1.5mm
--	S701.V3-44	S701.V3 SET-UP 2.0mm