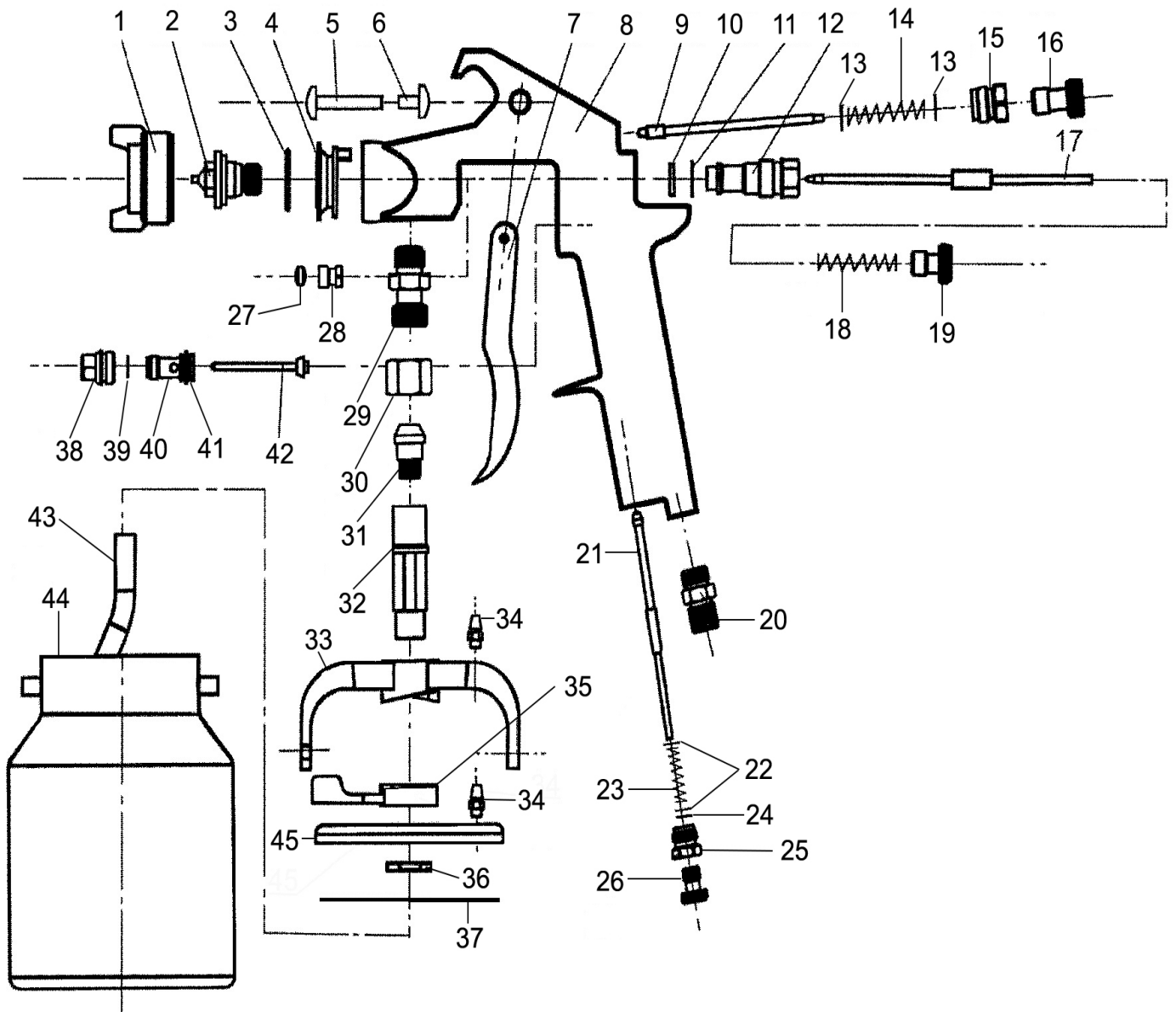




Parts Information:
Spray Gun Suction Deluxe Professional
1.8mm Set-Up
Model No: SSG1.V2



NOTE: It is our policy to continually improve products and as such we reserve the right to alter data, specifications and component parts without prior notice.

IMPORTANT: No liability is accepted for incorrect use of product.

WARRANTY: Guarantee is 12 months from purchase date, proof of which will be required for any claim.

Sealey Group, Kempson Way, Suffolk Business Park, Bury St Edmunds, Suffolk. IP32 7AR



01284 757500



01284 703534



sales@sealey.co.uk



www.sealey.co.uk



Parts Information:
**Spray Gun Suction Deluxe Professional
1.8mm Set-Up
Model No: SSG1.V2**

Item	Part No.	Description
1	SSG1X/01	Air Cap
2	SSG1X/02	Fluid Nozzle
3	SSG1X/03	Nozzle Pad
4	SSG1X/04	Air Diversion Ring
5	SSG1X/05	Trigger Bolt
6	SSG1X/06	Frigger Bolt
7	SSG1X/07	Trigger
8	SSG1X/08	Gun Body
9	SSG1X/09	Pattern Adjusting Valve
10	SSG1X/10	Gasket
11	SSG1X/11	O-Ring
12	SSG1X/12	Needle Guide
13	FWM3.S	Flat Washer M3 Single
14	SSG1X/14	Valve Spring
15	SSG1X/15	Patter Valve Seat
16	SSG1X/26	AIR Adjusting Valve Knob
17	SSG1X/17	Needle Set
18	SSG1X/18	Needle Spring
19	SSG1/08	Fluid Adjusting Knob
20	SSG1X/20	Air Hose Joint
21	SSG1X/21	Air Adjusting Valve
22	FWM3.S	Flat Washer M3 Single
23	SSG1X/23	Air Adjusting Valve Spring
24	SSG1X/24	O-Ring
25	SSG1X/25	Air Adjusting Valve Seat
26	SSG1X/26	Air Adjusting Valve Knob
27	SSG1X/27	Needle Packing

Item	Part No.	Description
28	SSG1X/28	Needle Packing Screw
29	SSG1X/29	Fluid Joint
30	SSG1X/30	Fluid Pot Contact Nut
31	SSG1X/31	Fluid Pot Contactor
32	SSG1X/32	Fluid Pot Contact Pole
33	SSG1X/33	Pot Support Clamp
34	SSG1X/34	Air Nozzle
35	SSG1X/35	Support Clamp Trigger
36	SSG1X/36	Pot Cover Screw
37	SSG1X/37	Pot Gasket
38	SSG1X/38	Air Valve Screw
39	SSG1X/39	O-Ring
40	SSG1X/40	Air Valve Seat
41	SSG1X/41	O-Ring
42	HVLP741.17	Air Valve Pole
43	SSG1X/43	Fluid Pipe
44	SSG1X/44	Fluid Pot
45	SSG1X/45	Pot Cover
--	SG1/S335	Plastic Cover For Pot 80mm (Not Shown)
--	SSG1X/SET/1.5	1.5mm Set Up (Not Shown)
--	SSG1X/SET/1.8	1.8mm Set Up (Not Shown)
--	SSG1X/SET/2.0	2.0mm Set Up (Not Shown)
--	SSG1X/SET/2.5	2.5mm Set Up (Not Shown)
--	SSG1X-SET1.2	1.2mm Set Up (Not Shown)
--	S701.V3-41	Blow Hole Cover (Not Shown)
--	SSG1X/09A	Pattern Adjusting Valve c/w Stem (Not Shown)

NOTE: It is our policy to continually improve products and as such we reserve the right to alter data, specifications and component parts without prior notice.

IMPORTANT: No liability is accepted for incorrect use of product.

WARRANTY: Guarantee is 12 months from purchase date, proof of which will be required for any claim.

Sealey Group, Kempson Way, Suffolk Business Park, Bury St Edmunds, Suffolk. IP32 7AR



01284 757500



01284 703534



sales@sealey.co.uk



www.sealey.co.uk