

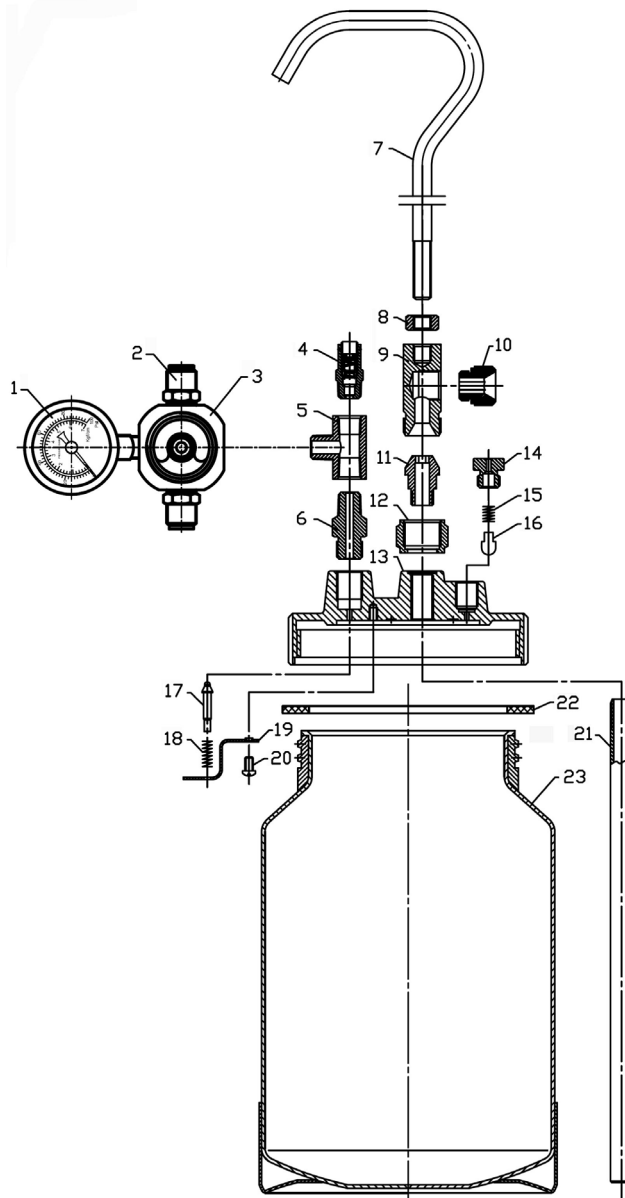
Item	Part No.	Description
3	SSG1X/03	NOZZLE PAD
4	SSG1X/04	AIR DIVERSION RING
5	SSG1X/05	TRIGGER BOLT (1)
6	SSG1X/06	TRIGGER BOLT (2)
7	SSG1X/07	TRIGGER
8	SSG1X/08	GUN BODY
9	SSG1X/09	PATTERN ADJUSTING VALVE
9A	SSG1X/09A	PATTERN ADJUSTING VALVE c/w STEM
10	SSG1X/10	GASKET
11	SSG1X/11	O-RING
12	SSG1X/12	NEEDLE GUIDE
13	FWM3.S	FLAT WASHER M3 SINGLE
14	SSG1X/14	VALVE SPRING
15	SSG1X/15	PATTERN VALVE SEAT
16	SSG1X/26	AIR ADJUSTING VALVE KNOB
18	SSG1X/18	NEEDLE SPRING
19	SSG1/08	FLUID ADJUSTING KNOB

Item	Part No.	Description
20	SSG1X/20	AIR HOSE JOINT
21	SSG1X/21	AIR ADJUSTING VALVE
22	FWM3.S	FLAT WASHER M3 SINGLE
23	SSG1X/23	AIR ADJUSTING VALVE SPRING
24	SSG1X/24	O-RING
25	SSG1X/25	AIR ADJUSTING VALVE SEAT
26	SSG1X/26	AIR ADJUSTING VALVE KNOB
27	SSG1X/27	NEEDLE PACKING
28	SSG1X/28	NEEDLE PACKING SCREW
38	SSG1X/38	AIR VALVE SCREW
39	SSG1X/39	O-RING
40	SSG1X/40	AIR VALVE SEAT
41	SSG1X/41	O-RING
42	HVLP741.17	AIR VALVE POLE
*	SSG1X/SET/1.8	1.8mm SET UP
--	SSG1X/SET/2.0	2.0mm SET UP (NOT SHOWN)

**NOTE:** It is our policy to continually improve products and as such we reserve the right to alter data, specifications and component parts without prior notice.

**IMPORTANT:** No liability is accepted for incorrect use of product.

**WARRANTY:** Guarantee is 12 months from purchase date, proof of which will be required for any claim.



Item	Part No.	Description
1	HVLP79P3V2.12	AIR PRESSURE GAUGE60psi 40mm OD BTM FITT
2	SSG1PV2-02	ADAPTOR
3	SSG1PV2-03	PRESSURE REG. HOUSING
4	SSG1PV2-04	SAFETY VALVE ASS'Y
5	SSG1PV2-05	3-WAY BLOCK
6	SSG1PV2-06	ADAPTOR
7	SSG1PV2-07	HANDLE
8	SN516.UNF	STEEL NUT 5/16" UNF (SINGLE)
9	SSG1PV2-09	3-WAY CONNECTOR
10	SSG1PV2-10	FLUID OUTLET
11	SSG1PV2-11	FLUID CONNECTOR

Item	Part No.	Description
12	SSG1PV2-12	FLUID NUT
13	SSG1PV2-13	CUP LID
14	SSG1PV2-14	RELEASE VALVE SCREW
15	SSG1PV2-15	SPRING
16	SSG1PV2-16	RELIEF VALVE BUNG
17	SSG1PV2-17	ONE-WAY VALVE ROD
18	SSG1PV2-18	SPRING
19	SSG1PV2-19	BRACKET
20	SSG1PV2-20	SCREW
21	SSG1PV2-21	FLUID TUBE
22	SSG1PV2-22	CUP SEAL
23	SSG1PV2-23	CUP ASS'Y

**NOTE:** It is our policy to continually improve products and as such we reserve the right to alter data, specifications and component parts without prior notice.

**IMPORTANT:** No liability is accepted for incorrect use of product.

**WARRANTY:** Guarantee is 12 months from purchase date, proof of which will be required for any claim.