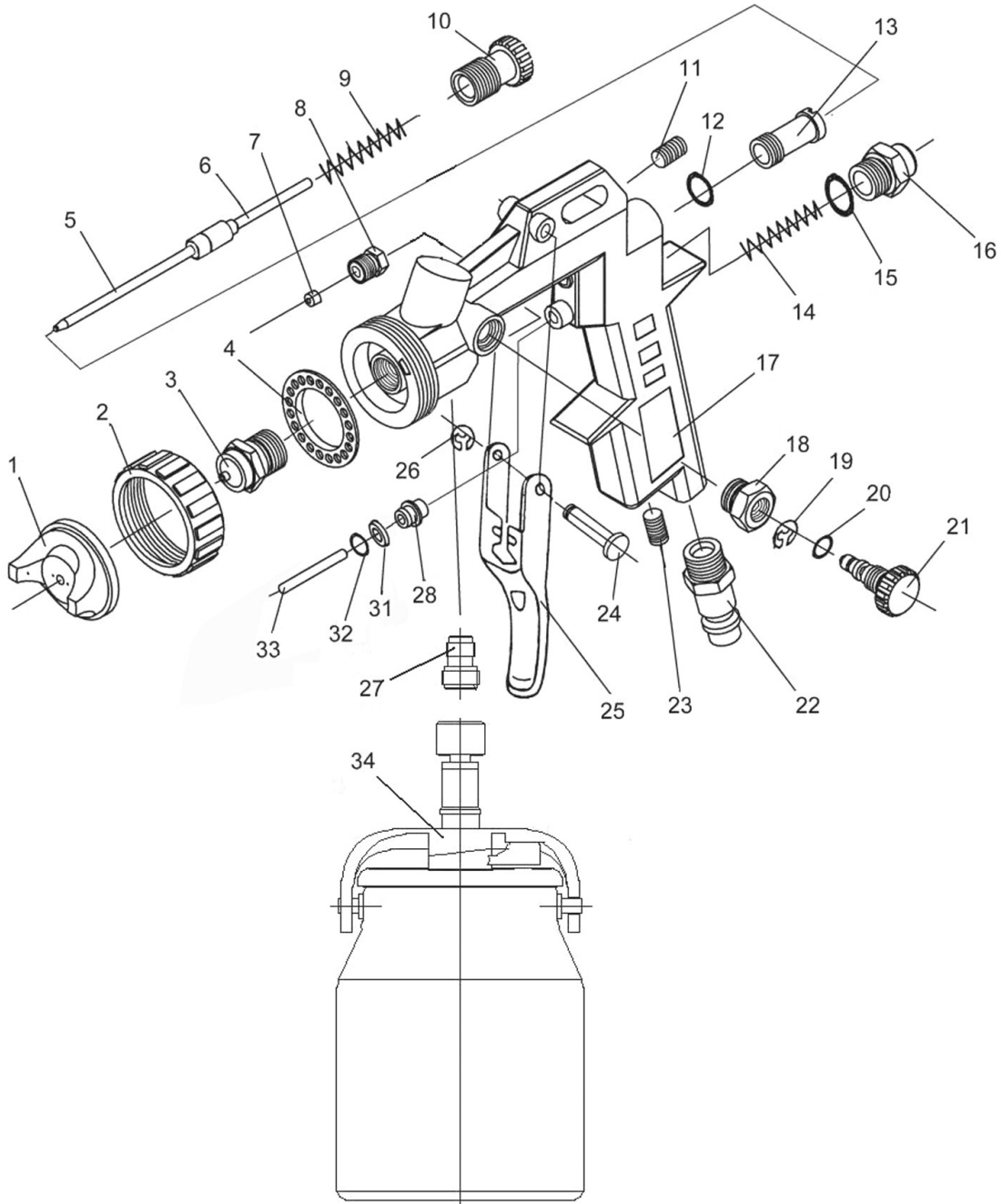




Parts Information:
Spray Gun Suction Feed 1.5mm Set-Up
Model No: SSG401.V2



NOTE: It is our policy to continually improve products and as such we reserve the right to alter data, specifications and component parts without prior notice.

IMPORTANT: No liability is accepted for incorrect use of product.

WARRANTY: Guarantee is 12 months from purchase date, proof of which will be required for any claim.

Sealey Group, Kempson Way, Suffolk Business Park, Bury St Edmunds, Suffolk. IP32 7AR



01284 757500



01284 703534



sales@sealey.co.uk



www.sealey.co.uk



Parts Information:
Spray Gun Suction Feed 1.5mm Set-Up
Model No: SSG401.V2

Item	Part No.	Description
1	SSG401.V2-01	AIR CAP (1.5mm)
--	SSG401.V2-01A	AIR CAP (1.2mm) (NOT SHOWN)
--	SSG401.V2-01B	AIR CAP (1.8mm) (NOT SHOWN)
--	SSG401.V2-01C	AIR CAP (2.0mm) (NOT SHOWN)
--	SSG401.V2-01D	AIR CAP (2.2mm) (NOT SHOWN)
--	SSG401.V2-01E	AIR CAP (2.5mm) (NOT SHOWN)
2	SSG401.V2-02	AIR CAP RETAINING RING
3	SSG401.V2-03	FLUID NOZZLE (1.5mm)
--	SSG401.V2-03A	FLUID NOZZLE (1.2mm) (NOT SHOWN)
--	SSG401.V2-03B	FLUID NOZZLE (1.8mm) (NOT SHOWN)
--	SSG401.V2-03C	FLUID NOZZLE (2.0mm) (NOT SHOWN)
--	SSG401.V2-03D	FLUID NOZZLE (2.2mm) (NOT SHOWN)
--	SSG401.V2-03E	FLUID NOZZLE (2.5mm) (NOT SHOWN)
4	SSG401.V2-04	GASKET
5	SSG401.V2-05	FLUID NEEDLE (1.5mm)
--	SSG401.V2-05A	FLUID NEEDLE (1.2mm) (NOT SHOWN)
--	SSG401.V2-05B	FLUID NEEDLE (1.8mm) (NOT SHOWN)
--	SSG401.V2-05C	FLUID NEEDLE (2.0mm) (NOT SHOWN)
--	SSG401.V2-05D	FLUID NEEDLE (2.2mm) (NOT SHOWN)
--	SSG401.V2-05E	FLUID NEEDLE (2.5mm) (NOT SHOWN)
6	SSG401.V2-06	SPRING AXIS
7	SSG401.V2-07	PACKING
8	SSG401.V2-08	PACKING SEAT
9	SSG401.V2-09	FLUID NEEDLE SPRING
10	SSG401.V2-10	FLUID ADJUSTMENT KNOB
11	GSM810.S	GRUB SCREW M8x10 (SINGLE)
12	SSG401.V2-12	O-RING
13	SSG401.V2-13	FLUID ADJUSTMENT GUIDE

Item	Part No.	Description
14	SSG401.V2-14	AIR VALVE SPRING
15	SSG401.V2-15	O-RING
16	SSG401.V2-16	PACKING SEAT
17	SSG401.V2-17	GUN BODY
18	SSG401.V2-18	PACKING SEAT
19	SSG401.V2-19	STOP RING
20	SSG401.V2-20	O-RING
21	SSG401.V2-21	FLUID ADJUSTING SCREW
22	SSG401.V2-22	AIR JOINT
23	SSG401.V2-23	SCREW
24	SSG401.V2-24	TRIGGER STUD
25	SSG401.V2-25	TRIGGER
26	SSG401.V2-26	STOP RING
27	SSG401.V2-27	FLUID JOINT
28	SSG401.V2-33	AIR VALVE ROD ASSY
--	SSG401.V2-29	O-RING (NOT SHOWN)
--	SSG401.V2-30	PACKING SPRING (NOT SHOWN)
31	SSG401.V2-31	GASKET
32	SSG401.V2-32	O-RING
33	SSG401.V2-33	AIR VALVE ROD ASSY
34	SSG401.V2-34	SUCTION CUP
--	SSG401V2-S1.2	SSG401-SSG501 SET-UP 1.2mm (NOT SHOWN)
--	SSG401V2-S1.5	SSG401-SSG501 SET-UP 1.5mm (NOT SHOWN)
--	SSG401V2-S1.8	SSG401-SSG501 SET-UP 1.8mm (NOT SHOWN)
--	SSG401V2-S2.0	SSG401-SSG501 SET-UP 2.0mm (NOT SHOWN)
--	SSG401V2-S2.2	SSG401-SSG501 SET-UP 2.2mm (NOT SHOWN)
--	SSG401V2-S2.5	SSG401-SSG501 SET-UP 2.5mm (NOT SHOWN)

NOTE: It is our policy to continually improve products and as such we reserve the right to alter data, specifications and component parts without prior notice.

IMPORTANT: No liability is accepted for incorrect use of product.

WARRANTY: Guarantee is 12 months from purchase date, proof of which will be required for any claim.

Sealey Group, Kempson Way, Suffolk Business Park, Bury St Edmunds, Suffolk. IP32 7AR



01284 757500



01284 703534



sales@sealey.co.uk



www.sealey.co.uk