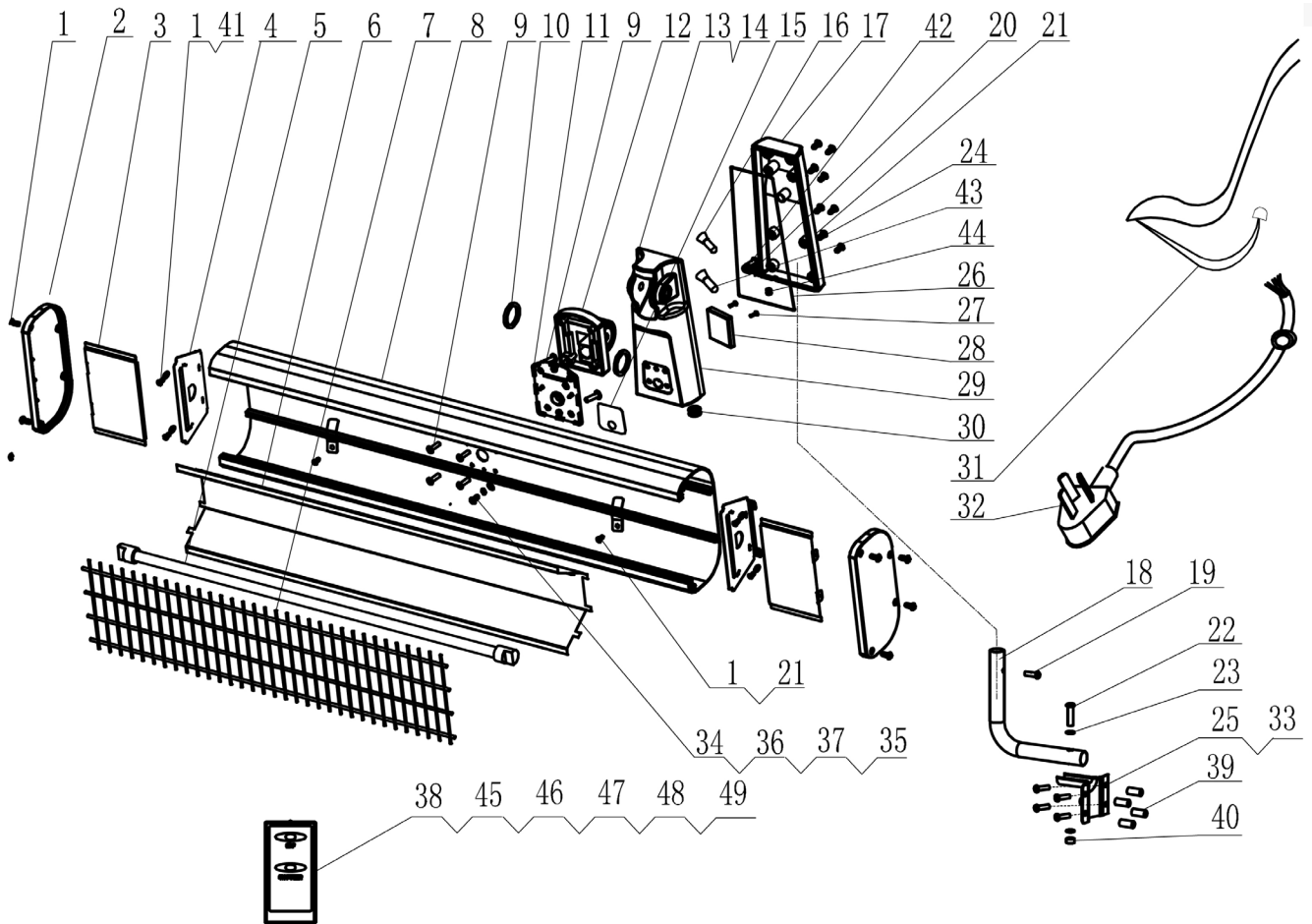




Parts Information:
High Efficiency Carbon Fibre Infrared Wall
Heater 1800W/230V
Model No: IWMH1809R



NOTE: It is our policy to continually improve products and as such we reserve the right to alter data, specifications and component parts without prior notice.

IMPORTANT: No liability is accepted for incorrect use of product.

WARRANTY: Guarantee is 12 months from purchase date, proof of which will be required for any claim.

Sealey Group, Kempson Way, Suffolk Business Park, Bury St Edmunds, Suffolk. IP32 7AR



01284 757500



01284 703534



sales@sealey.co.uk



www.sealey.co.uk



Parts Information:
**High Efficiency Carbon Fibre Infrared Wall
Heater 1800W/230V**
Model No: IWMH1809R

Item	Part No.	Description
1	IWMH1809R.01	TAPPING SCREW (ST3*10)
2	IWMH1809R.02	SIDE COVER
3	IWMH1809R.03	HEATER PANEL
4	IWMH1809R.04	REFLECTOR BRACKET
5	IWMH1809R.05	HEATING ELEMENT (CARBON FIBRE 230V/1800W)
6	IWMH1809R.06	REFLECTOR
7	IWMH1809R.07	GUARD
8	IWMH1809R.08	HEATER HOUSING
9	IWMH1809R.09	TAPPING SCREW (ST4*10)
10	IWMH1809R.10	HINGE SEAL RING
11	IWMH1809R.11	HINGE COVER
12	IWMH1809R.12	HINGE
13	MSP840.S	MACHINE SCREW PAN HEAD PHILLIPS M8x40mm
14	IWMH1809R.14	HALF NUT M8
15	IWMH1809R.15	PVC STICKER
16	IWMH1809R.16	CONNECTOR CAP
17	IWMH1809R.17	CONTROL BOX COVER
18	IWMH1809R.18	L TUBE
19	MSP615.S	MACHINE SCREW PAN HEAD PHILLIPS M6x15mm
20	IWMH1809R.20	CORD CLAMP
21	IWMH1809R.21	INTERNAL WIRES CLIP
22	MSP632.S	MACHINE SCREW PAN HEAD PHILLIPS M6x32mm
23	IWMH1809R.23	M2 WASHER

Item	Part No.	Description
24	IWMH1809R.24	TAPPING SCREW (ST4*14)
25	IWMH1809R.25	L TUBE BRACKET
26	IWMH1809R.26	SEAL RING
27	IWMH1809R.27	TAPPING SCREW (ST3*8)
28	IWMH1809R.28	RC RECEIVER PCB
29	IWMH1809R.29	CONTROL BOX
30	IWMH1809R.30	CORD BUSH
31	IWMH1809R.31	INTERNAL WIRES ASSEMBLY
32	MC3CX1.0R	MAINS CABLE BLK, 3 CORE, (RUBBER) 1.0MM2
33	IWMH1809R.33	TAPPING SCREW (ST4*30)
34	TS10SEW.121	M4 EXT TOOTH WASHER ZINC
35	IWMH1809R.35	SCREW M4*10
36	SWM4.S	SPRING WASHER M4 (SINGLE)
37	SN4.S	STEEL NUT M4 ZINC DIN934 (SINGLE)
38	IWMH1809R.38	RC PVC STICKER
39	IWMH1809R.39	PLASTIC PLUG
40	SN6.S	STEEL NUT M6 ZINC DIN934 (SINGLE)
41	IWMH1809R.41	M3 EXT TOOTH WASHER BLACK
42	IWMH1809R.42	TAPPING SCREW (ST4*12)
43	IWMH1809R.43	CONNECTOR CAP
44	IWMH1809R.44	PLASTIC PLUG
45	IWMH1809R.45	RC UPPER HOUSING
46	IWMH1809R.46	RC LOWER HOUSING
47	IWMH1809R.47	BATTERY COVER
48	IWMH1809R.48	RC PCB
49	IWMH1809R.49	TAPPING SCREW (ST3*6)
--	IWMH1809R.RC	REMOTE CONTROL (NOT SHOWN)

NOTE: It is our policy to continually improve products and as such we reserve the right to alter data, specifications and component parts without prior notice.

IMPORTANT: No liability is accepted for incorrect use of product.

WARRANTY: Guarantee is 12 months from purchase date, proof of which will be required for any claim.

Sealey Group, Kempson Way, Suffolk Business Park, Bury St Edmunds, Suffolk. IP32 7AR



01284 757500



01284 703534



sales@sealey.co.uk



www.sealey.co.uk