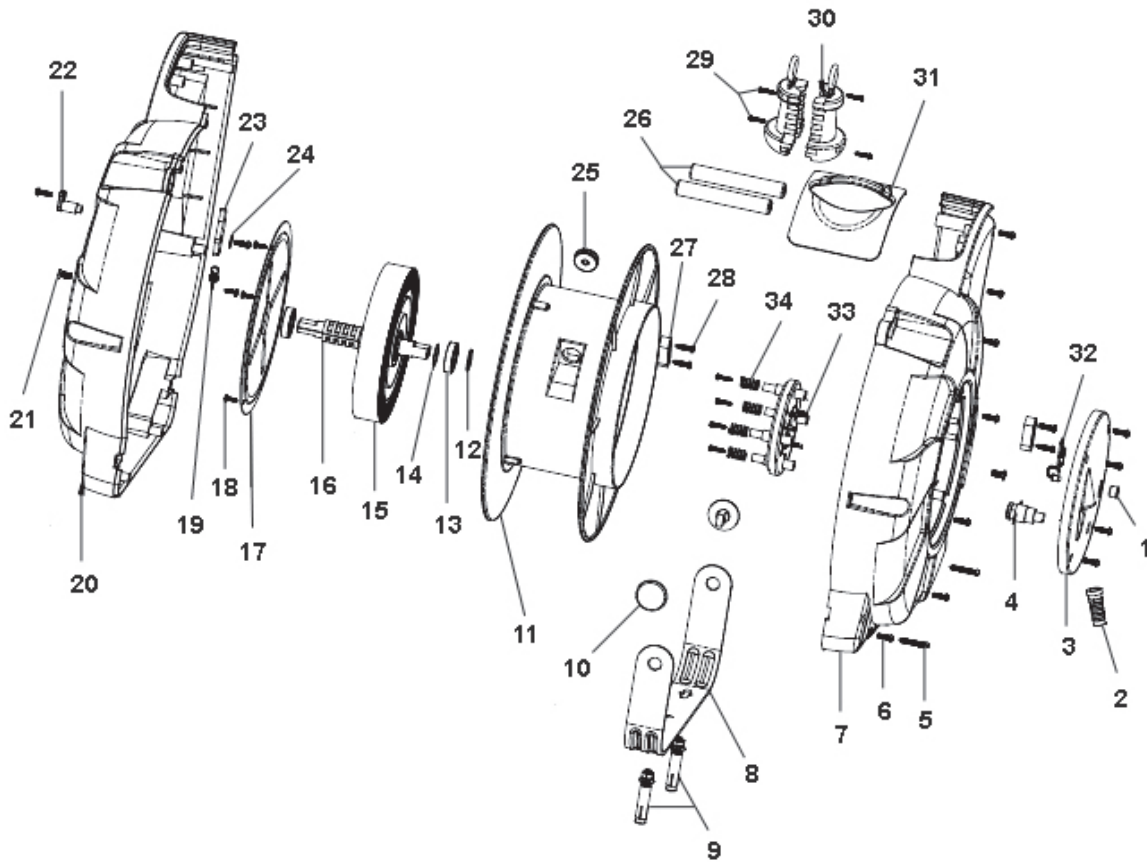


Parts Information:
Cable Reel System Retractable 25mtr
1 x 230V Socket
Model No: CRM251



Item	Part No.	Description
1	CRM251.01	CLEAR LENS
2	CRM251.02	PROTECTION SHEATH
3	CRM251.03	COVER
4	CRM251.04	THERMAL TRIP
5	CRM251.05	SCREW (ST4x35)
6	CRM251.06	SCREW (ST4x12)
7	CRM251.07	SIDE COVER, RIGHT
8	CRM251.08	WALL BRACKET
9	CRM251.09	WALL BRACKET SCREW
10	CRM251.10	WALL BRACKET PIN
11	CRM251.11	DRUM
12	CRM251.12	O-RING
13	B/6902ZZ	BEARING 6902ZZ
14	CRM251.14	O-RING
15	CRM251.15	MAIN SPRING
16	CRM251.16	PIVOT GUIDE
17	CRM251.17	SPRING COVER

Item	Part No.	Description
18	CRM251.18	SCREW (ST3x12)
19	CRM251.19	RATCHET SPRING
20	CRM251.20	SIDE COVER, LEFT
21	CRM251.21	SCREW (M5x12)
22	CRM251.22	PAWL SUPPORT
23	CRM251.23	PAWL
24	CRM251.24	O-RING
25	CRM251.25	RUBBER GROMMET
26	CRM251.26	ROLLER
27	CRM251.27	CABLE GRIP
28	CRM251.28	SCREW (ST4x18)
29	CRM251.29	SCREW (ST3x14)
30	CRM251.30	STOP BLOCK
31	CRM251.31	TOP PLATE
32	CRM251.32	PCB
33	CRM251.33	PICK-UP ASSEMBLY
34	CRM251.34	PICK-UP CONTACT

NOTE: It is our policy to continually improve products and as such we reserve the right to alter data, specifications and component parts without prior notice.

IMPORTANT: No liability is accepted for incorrect use of product.

WARRANTY: Guarantee is 12 months from purchase date, proof of which will be required for any claim.