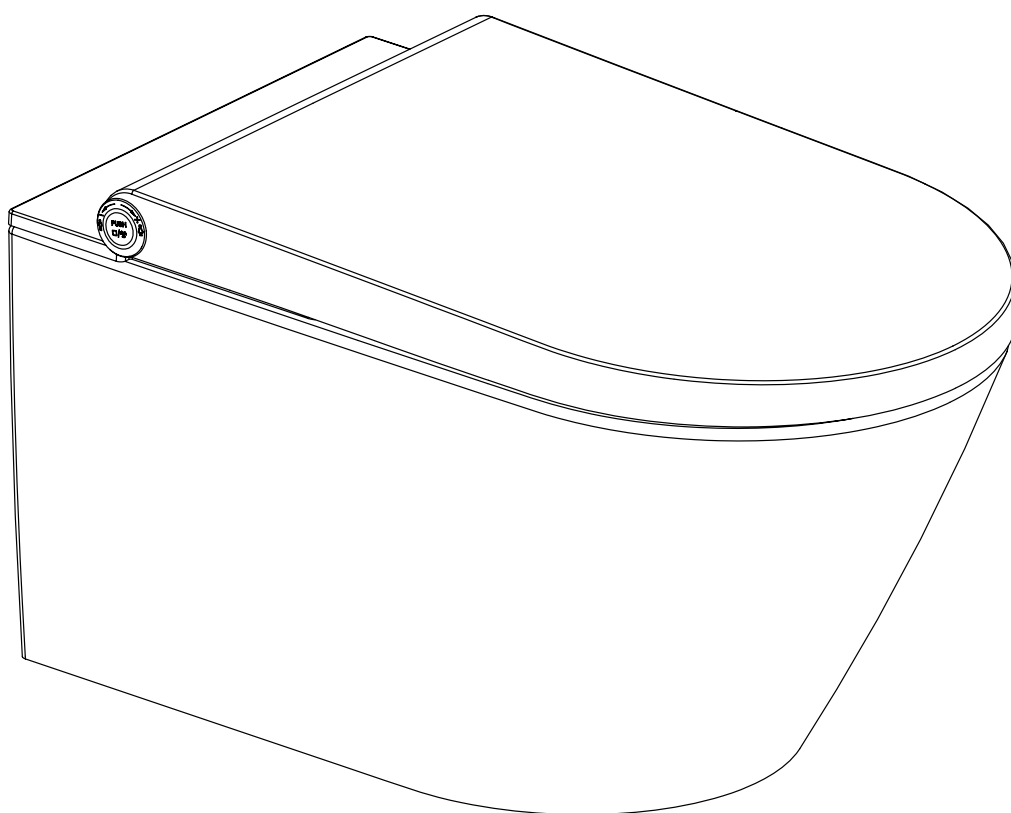



Milano

Back to Wall Smart Toilet

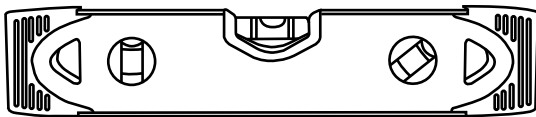
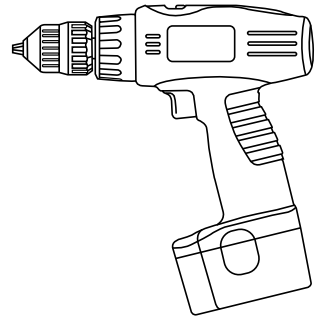
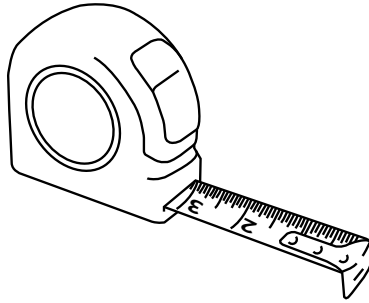
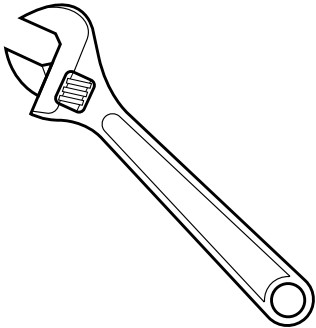


Installation Guide

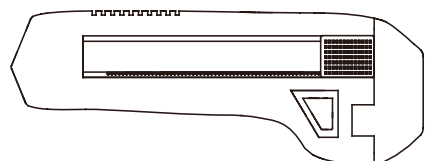
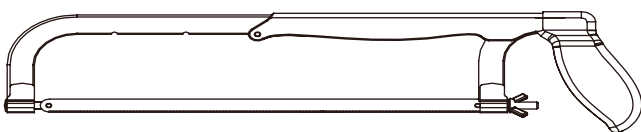
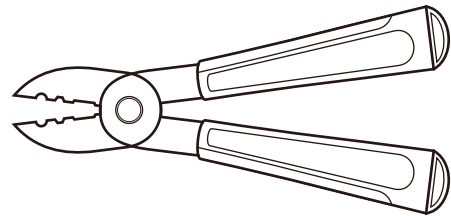
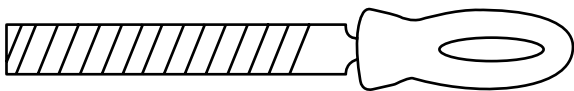
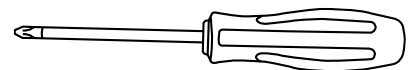
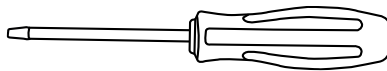
 Style may vary

Installation

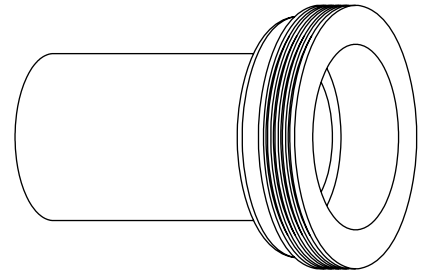
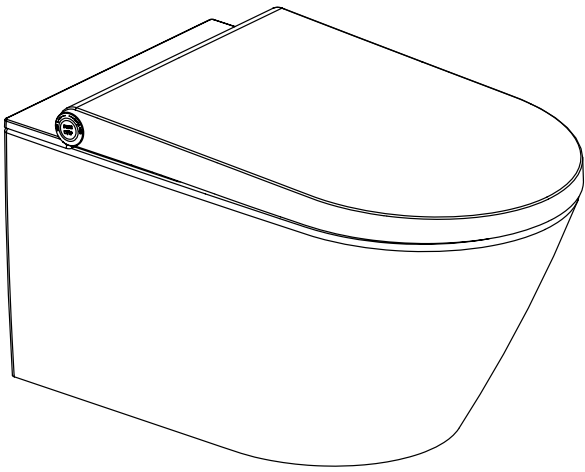
Tools required for installing:



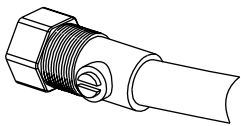
12mm



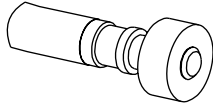
Parts included:



Flushing pipe with sealing ring

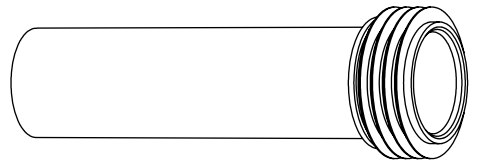


Inlet hose

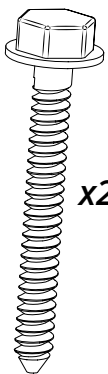


x2

Flange plate

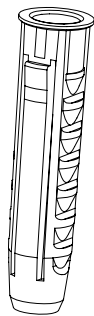


Inlet pipe with sealing ring



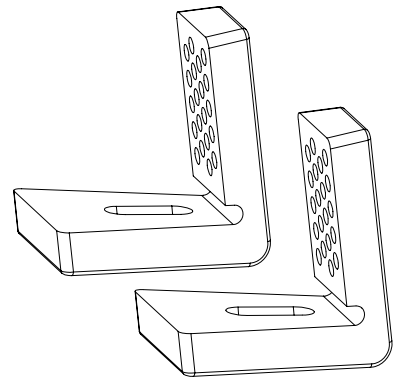
x2

Hexagonal screw

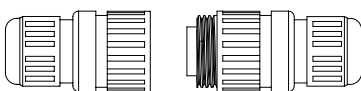


x2

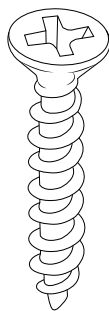
Expansion bolt



Toilet holder



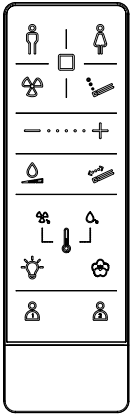
Coupler



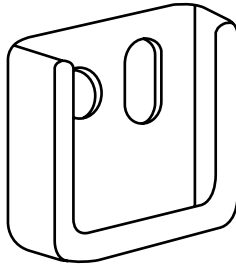
Sunk Screw



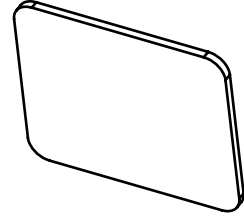
Decorative Cover



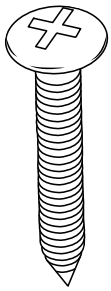
Remote (Without batteries)



Remote holder



Adhesive



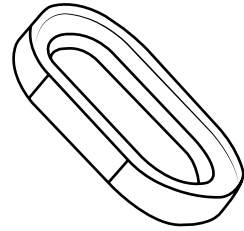
x2

Screws



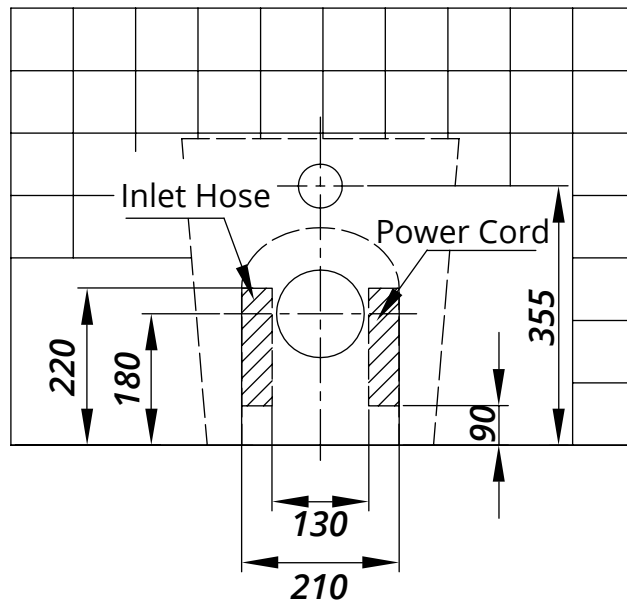
x2

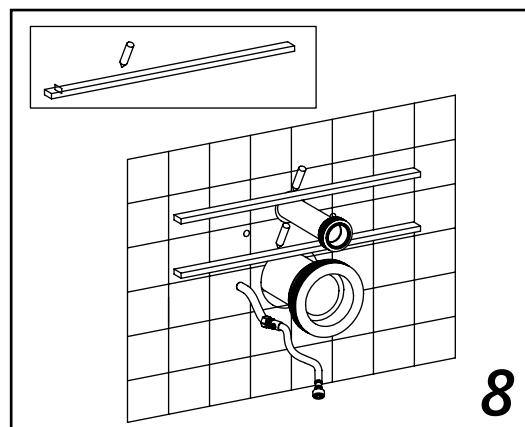
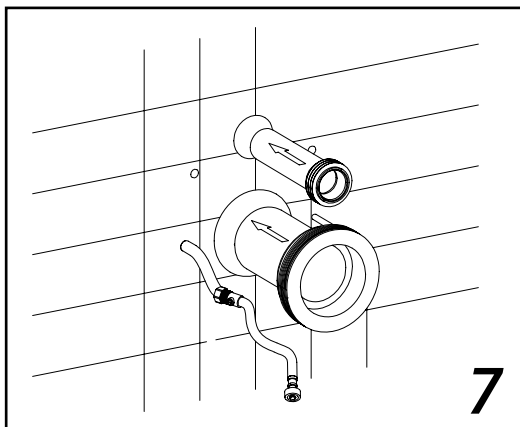
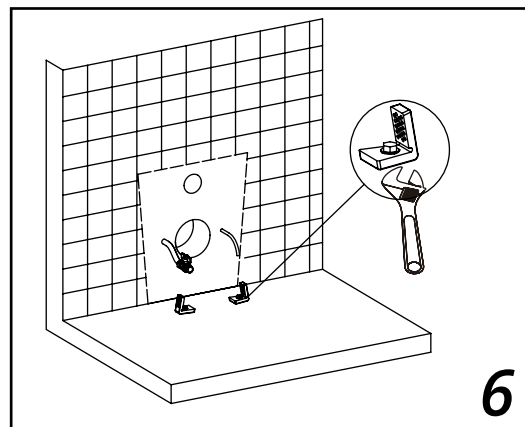
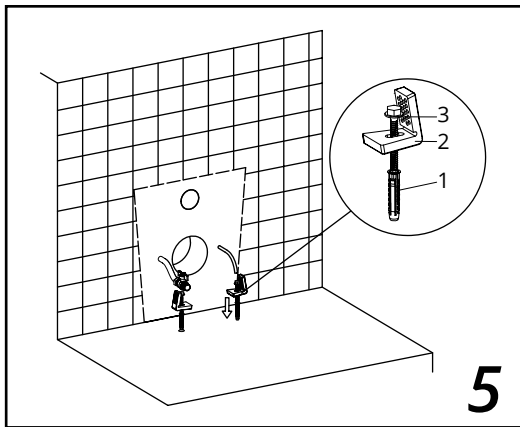
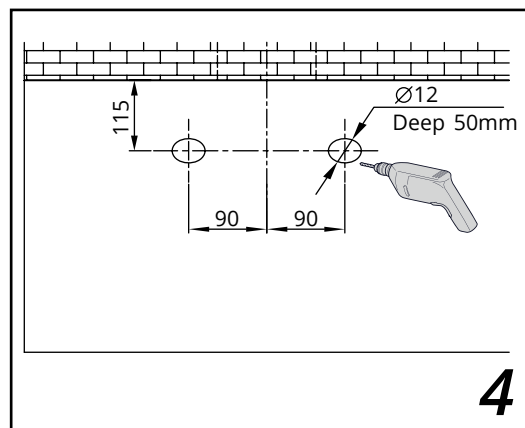
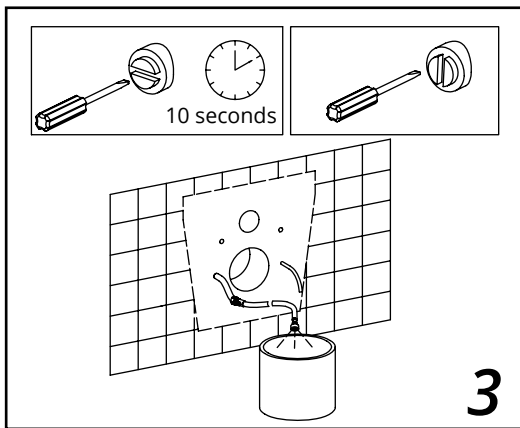
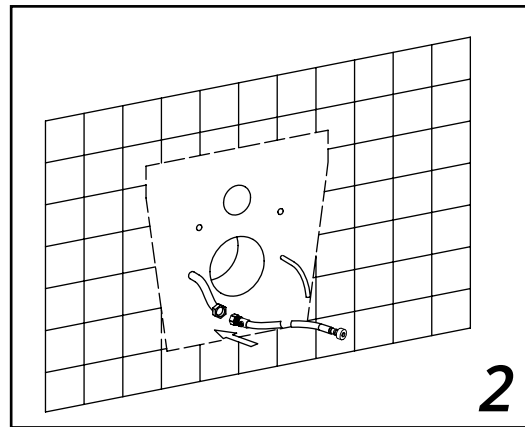
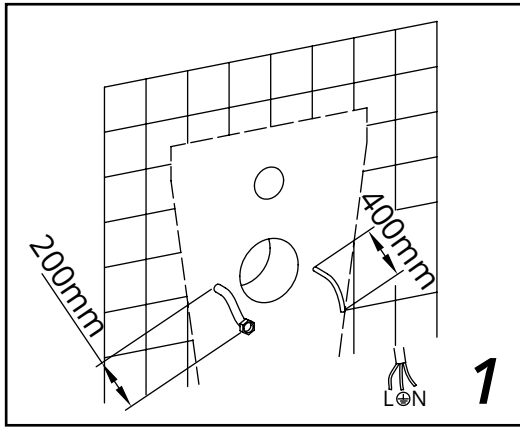
Plugs

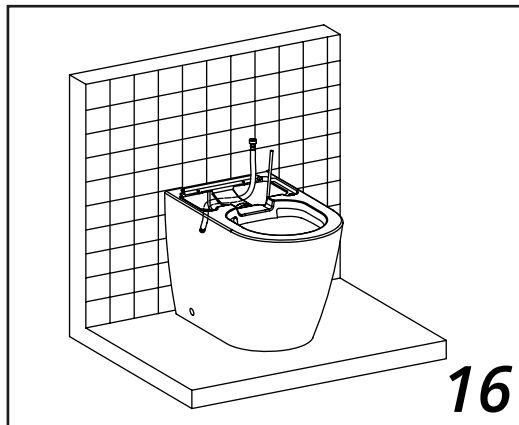
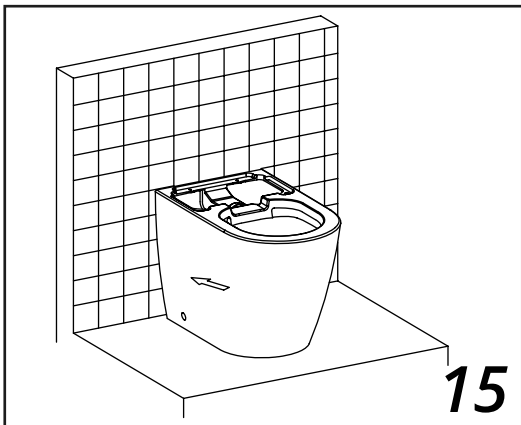
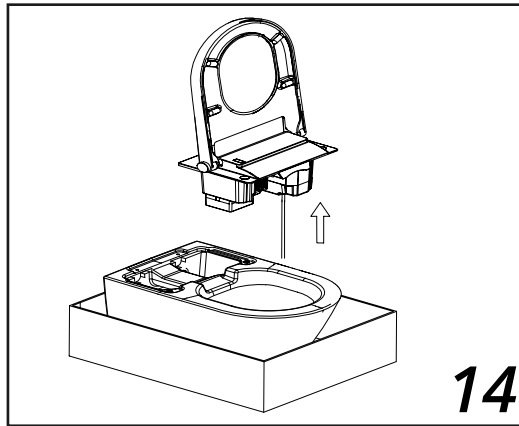
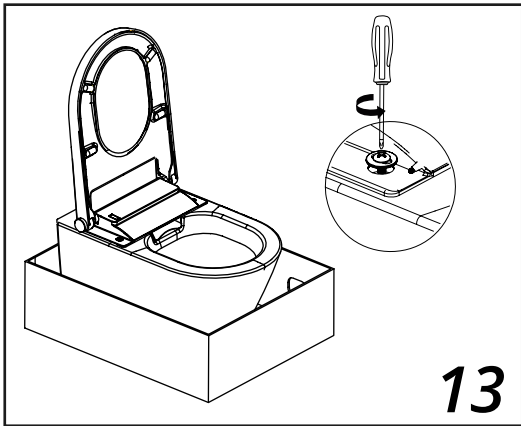
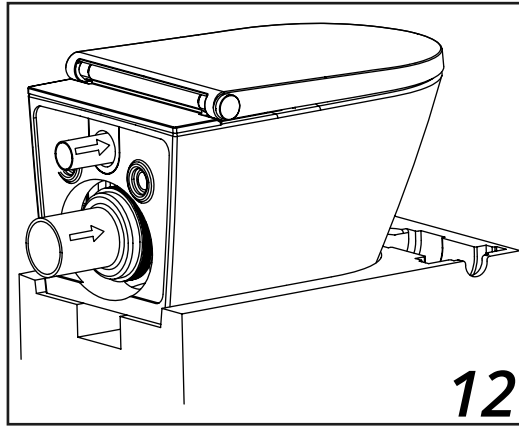
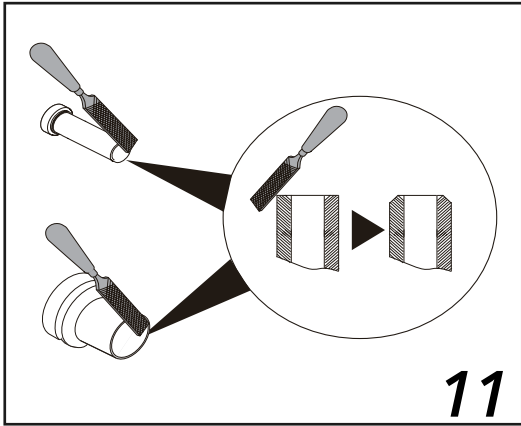
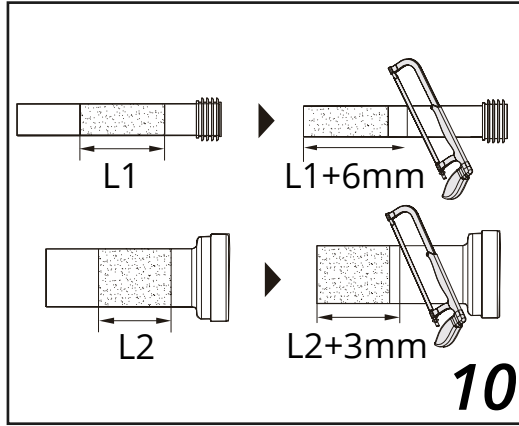
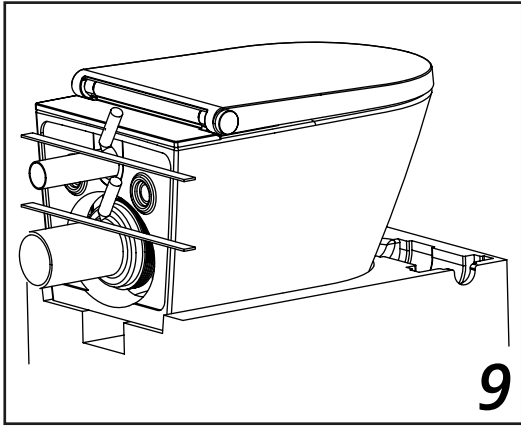


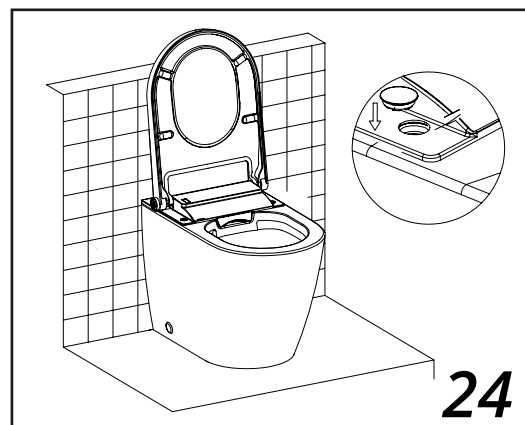
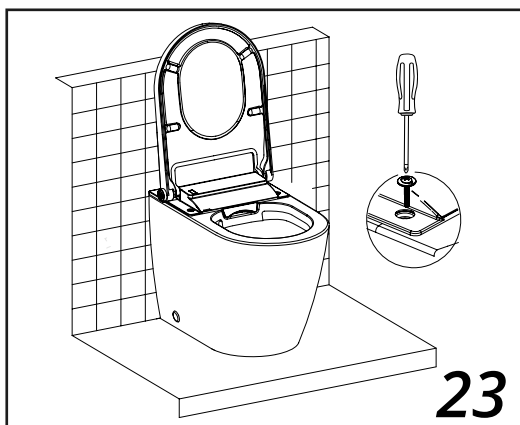
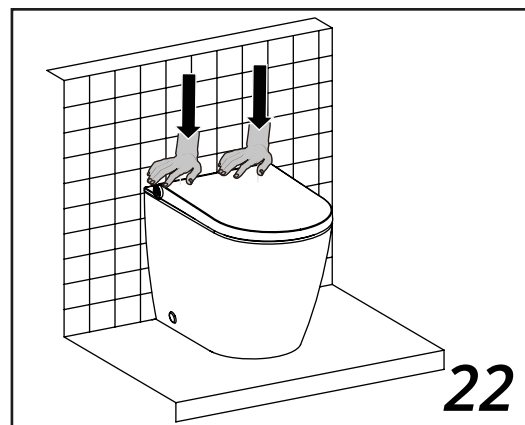
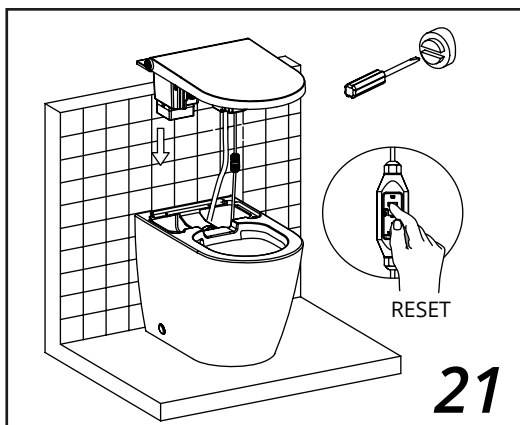
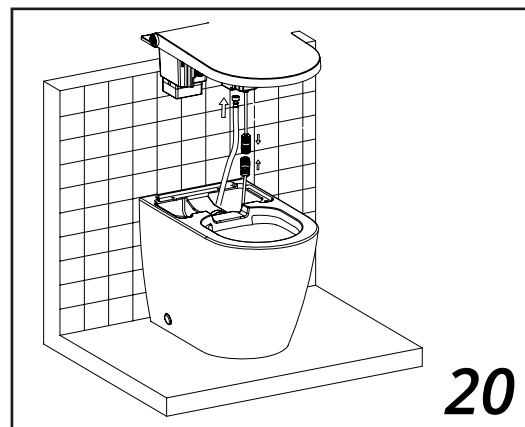
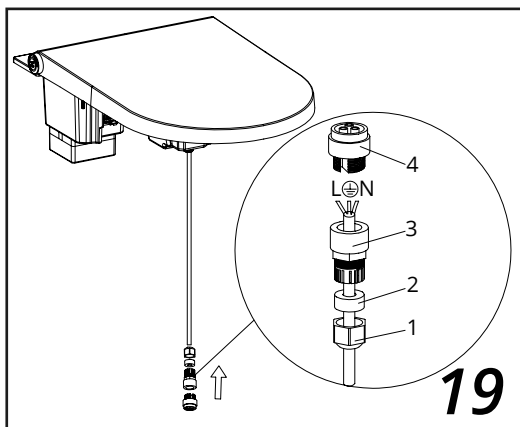
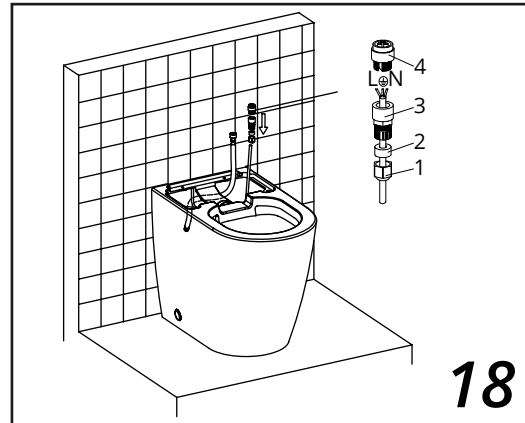
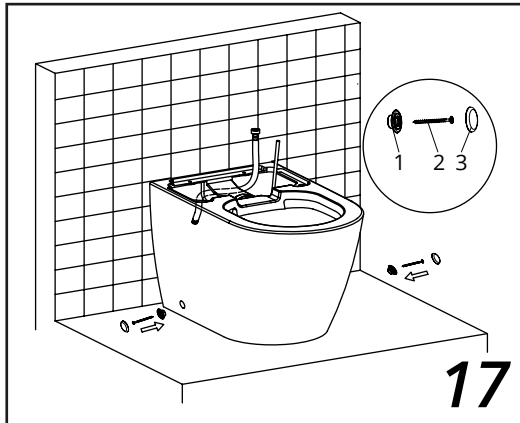
Screw stopper

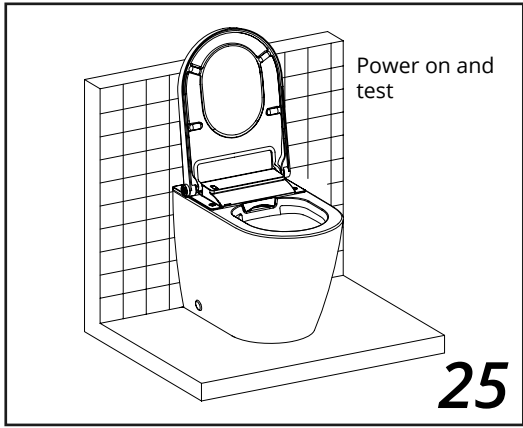
Installation



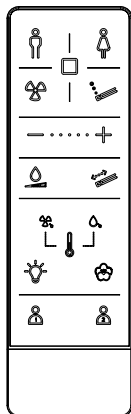




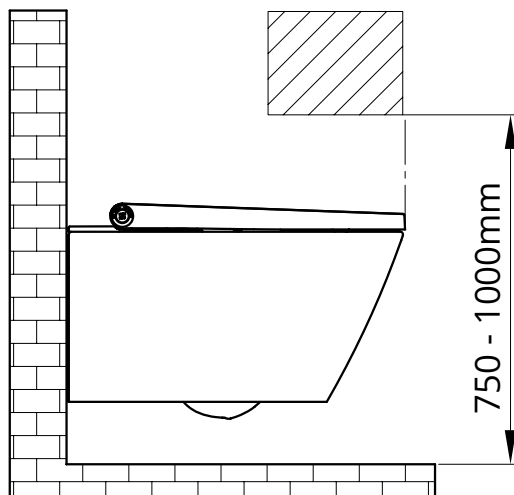




Installing the remote control:

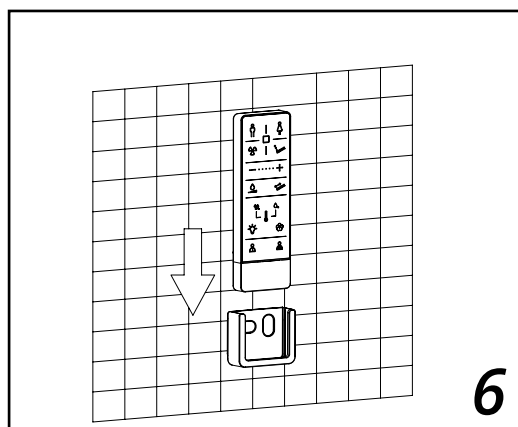
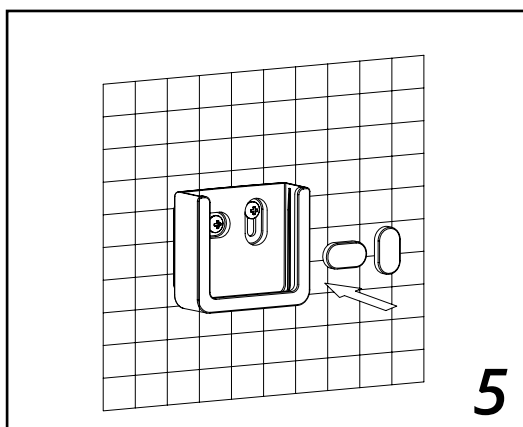
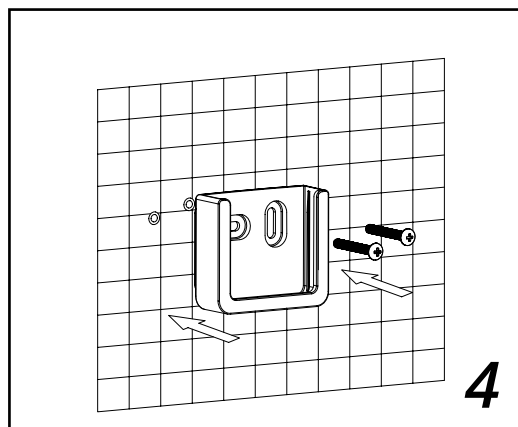
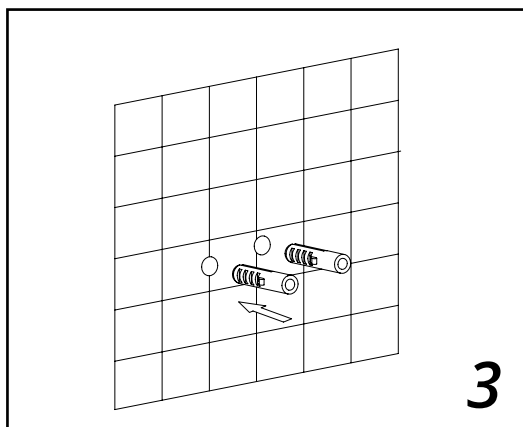
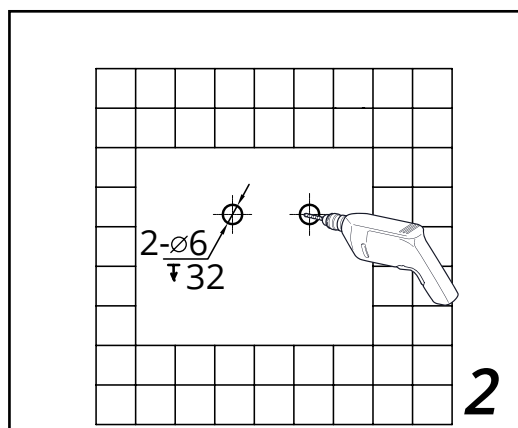
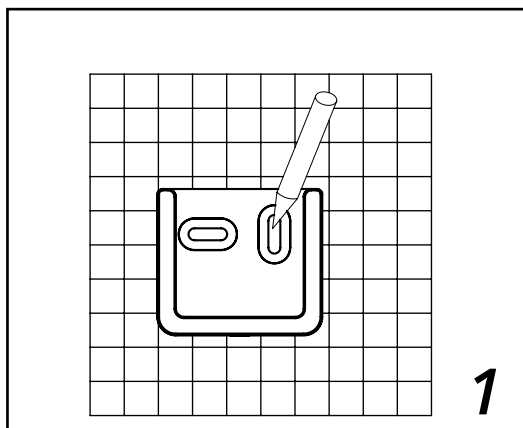


Recommended installation area

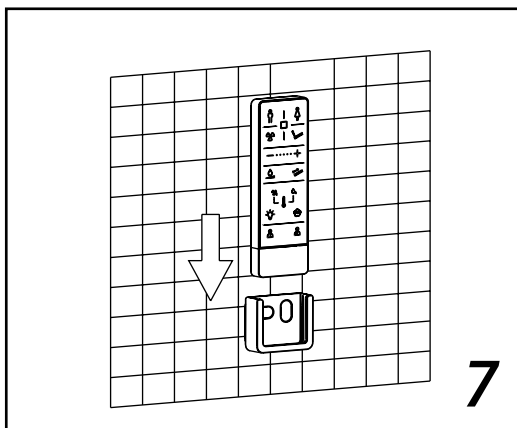
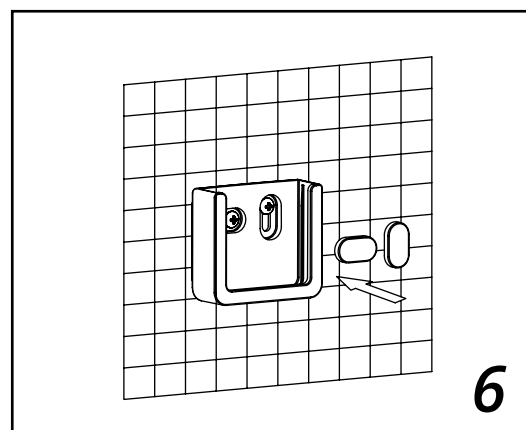
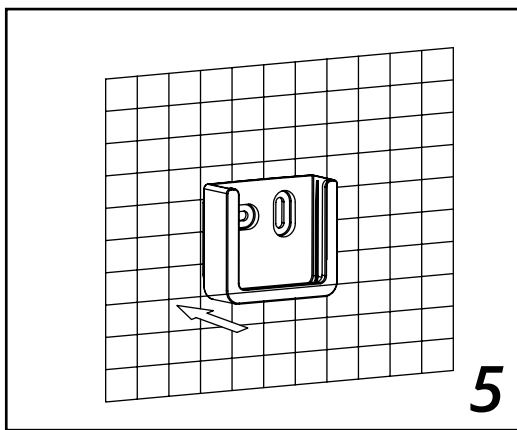
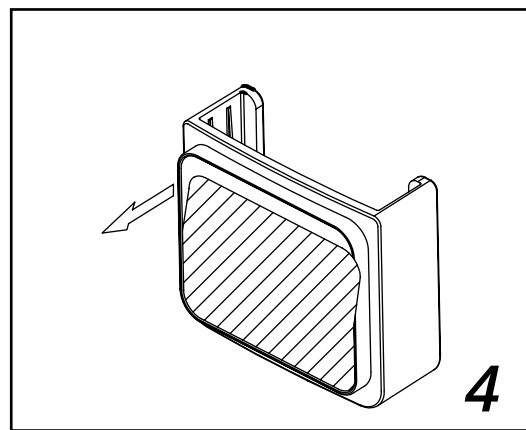
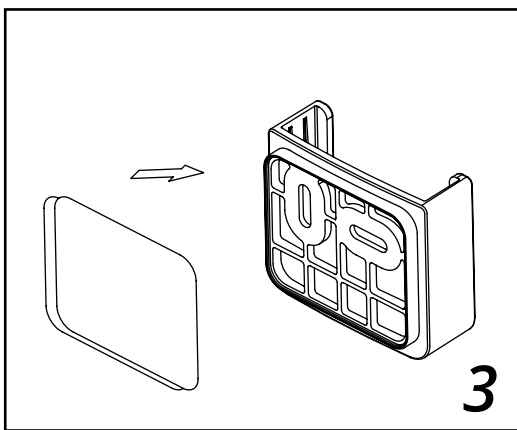
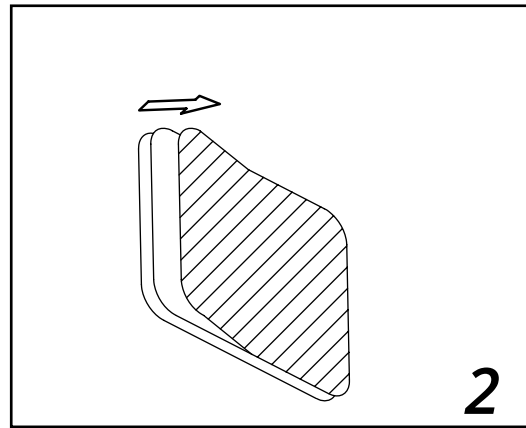
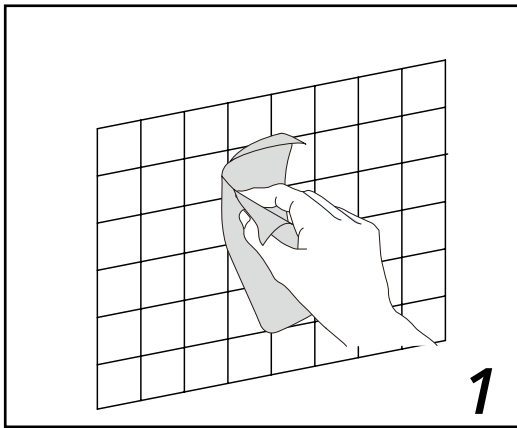


* Just for the D81-01 remote control

Mode A:



Mode B:



If you require any additional information or have any issues with this product please refer to the website.