

Operation Manual

Lawn Mower Jack

50800, 51157



Illustration similar, may vary depending on model

Read and follow the operating instructions and safety information before using for the first time.

Technical changes reserved!

Due to further developments, illustrations, functioning steps and technical data can differ insignificantly.

Updating the documentation

If you have suggestions for improvement or have found any irregularities, please contact us.



The information contained in this document may alter at any time without previous notice. It is prohibited to copy or spread any parts of this document in any way without prior written allowance. All rights reserved.

The WilTec Wildanger Technik GmbH cannot be held accountable for any possible mistakes in this operating manual, nor in the diagrams and figures shown.

Even though, the WilTec Wildanger Technik GmbH has undergone biggest possible efforts to ensure that the operating manual is complete, faultless and up to date, mistakes cannot be entirely avoided.

If you should find a mistake or wish to make a suggestion for improvement, we look forward to hearing from you.

Send an e-mail to:

service@wiltec.info

or use our contact form:

<https://www.wiltec.de/contacts/>

The most recent version of this manual in various languages can be found in our online shop via:

<https://www.wiltec.de/docsearch>

Our postal address is:

WilTec Wildanger Technik GmbH
Königsbenden 12
52249 Eschweiler
Germany

Do you wish to pick goods up? Our pick-up address is:

WilTec Wildanger Technik GmbH
Königsbenden 28
52249 Eschweiler
Germany

To shorten the waiting time and allow for a rapid on-site transaction, we ask you to call us previously or placing your order via the webshop.

E-mail: service@wiltec.info

Tel: +49 2403 55592-0

Fax: +49 2403 55592-15

To return orders for exchange, repair or for other purposes, please use the following address. Attention! To allow for a smooth execution of your complaint or return, it is important to contact our customer service team before returning the goods.

Returns Department
WilTec Wildanger Technik GmbH
Königsbenden 28
52249 Eschweiler

E-mail: service@wiltec.info

Tel: +49 2403 55592-0

Fax: +49 2403 55592-15

Introduction

Thank you for purchasing this quality product. **To minimize the risk of injury we urge that our clients take some basic safety precautions when using this device. Please read the operation instructions carefully and make sure you have understood its content.**

Keep these operation instructions safe.

Attention! Before lifting an object, make sure you are fully aware on how the jack works. The inadequate use can cause serious injury. All other uses than the ones outlined here can damage the device and can be dangerous.

Safety requirements

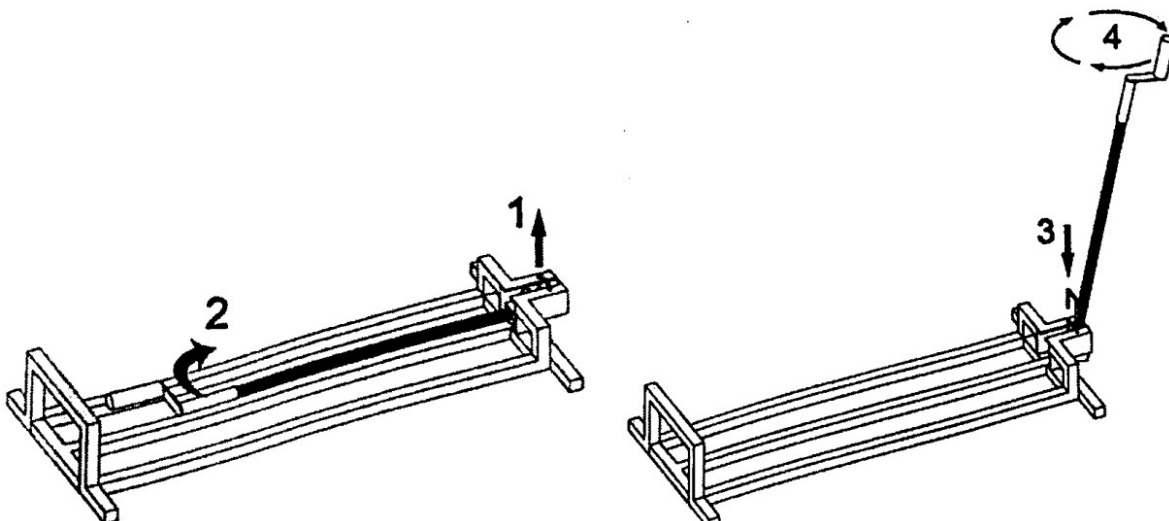
For safe use:

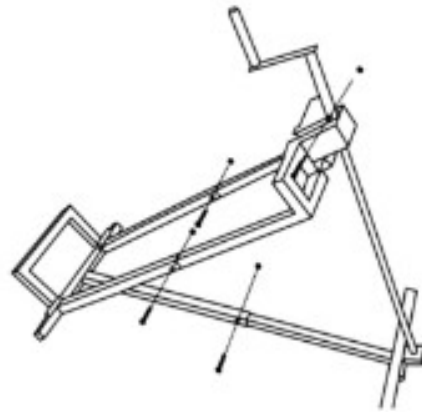
- Only use the lawn mower jack for lifting.
- Keep children away from the lawn mower jack.
- No one, who is not accustomed to its use, may approach the lawn mower jack.
- At no time leave the mower jack unattended.
- Never overburden the mower jack. Overloading may damage the mower jack and/or cause a defect, resulting in serious injury.
- The mower lift is designed for a flat and hard ground. Using it on a soft surface can cause instability, making the whole construct fall over.
- Always determine the load on the lateral reinforcement, which is located on the opposite side of the hand crank. The load should always be placed horizontally on the mower jack, preventing damage and the load from sliding or falling down.
- Always visually check the jack before use. Do not place any objects on it before checking it.
- When it comes to ride-on mowers, make sure that the driver has left the seat before it is lifted up.

Before use

Assembly

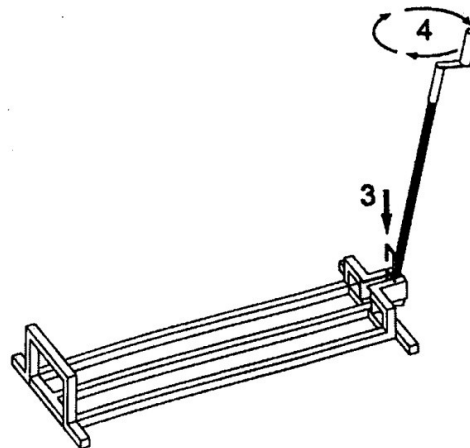
- Position the jack on a flat and stable surface.
- Expand the steel rod and secure it with three screws.
- Install the handle and tighten it by screwing it on.
- Remove the locking peg.
- Place the crankshaft upwards.
- For a better use we recommend to grease the shaft before use. This should be repeated when required to ensure the smooth functioning of the parts.





Use

- Remove the locking bracket **1** to be able to lift the crankshaft **2** into an upright position.
- Then place the locking bracket **3** back into place, allowing the crankshaft to be sturdily positioned upright.
- Then turn the hand crank clockwise **4** enabling for the lawn mower to be lifted.



Lifting a lawn mower

- Place the jack on a flat and hard surface.
- Position the lawn mower above the jack. The base of the lawn mower needs to be parallel to the lateral reinforcement bar **5** opposite of the crank handle.
- **Caution:** When lifting a ride-on mower, the back wheels need to be placed on the jack.
- The wheel of the lawn mower needs to be positioned stably against the lateral reinforcement bar **5**.
- The crank handle needs to be rotated clockwise to lift the mower 2–3 cm.
- Then ensure that the mower is positioned securely before lifting it even higher.
- In case the mower was placed wrongly, rotate the crank handle counter-clockwise, to place the mower onto the ground again. Reposition the mower and try lifting it up cautiously again.
- **Caution:** Do not lift the lawn mower too high up, it might fall over. Only lift it as much as necessary and to be able to carry out the required work.

Maintenance

If the jack is not in use, the crank shaft should be folded downward and secured with the bracket. Approximately every three months, the shaft needs to be greased, during this process the jack should be checked for any damage. If rust has collected anywhere, the area needs to be wiped off with an oiled cloth to ensure the jack is still in an adequate condition for use. Storing the jack in a dry and clean place is recommended to prevent rust from collecting or other damages to occur.

Technical specifications

Item number	Max. capacity (kg)	Widths (cm)				Max. inclination angle
		Ramp	95	Wheel support	24	
50800	400	Ramp	95	Wheel support	24	35°
51157	250		98		25	

Important notice:

The reprint or reproduction, even of excerpts, and any commercial use, even in part of this instructions manual require the written permission of WilTec Wildanger Technik GmbH.

EG-Konformitätserklärung

Declaration of Conformity / Déclaration de Conformité

(gemäß den Richtlinien 2006/42/EC Maschinenrichtlinie)

Reference Nummer No. 0B160201.TMI0T90

Test Reports no. SCC(16)-50001A-34-10-MD

Firma / Company / Société WilTec Wildanger Technik GmbH
Koenigsbenden 12
52249 Eschweiler, Deutschland

erklärt, dass das Produkt: Hebevorrichtung Aufsitzmäher
Type: 02006804, 02006803, 02006801,
02006808
50800 bis 500 kg
51157 bis 250 kg

Verwendungszweck: Anheben von Rasentraktoren

mit den folgenden EG-Rats-Richtlinien übereinstimmt:
This appliance is in conformity with the following european directives:
Cet appareil est conforme aux directives européennes :

2006/42/EC

Es ist nach folgenden harmonisierten Normen geprüft worden:
It has been tested with the following harmonised standards:
Il a été testé à partir des normes harmonisées suivantes :

EN ISO 12100::2010,
EN 349 :1993+A1 :2008,
EN 953 :1997+A1 :2009,
EN ISO 13857 :2008.

Bevollmächtigter für die Zusammenstellung der technischen Unterlagen:

Bernd Wildanger, Geschäftsführer WilTec Wildanger Technik GmbH
Königsbenden 12
52249 Eschweiler
Deutschland

Eschweiler, 1. Februar 2016
Ablaufdatum 31. Januar 2021



Bernd Wildanger