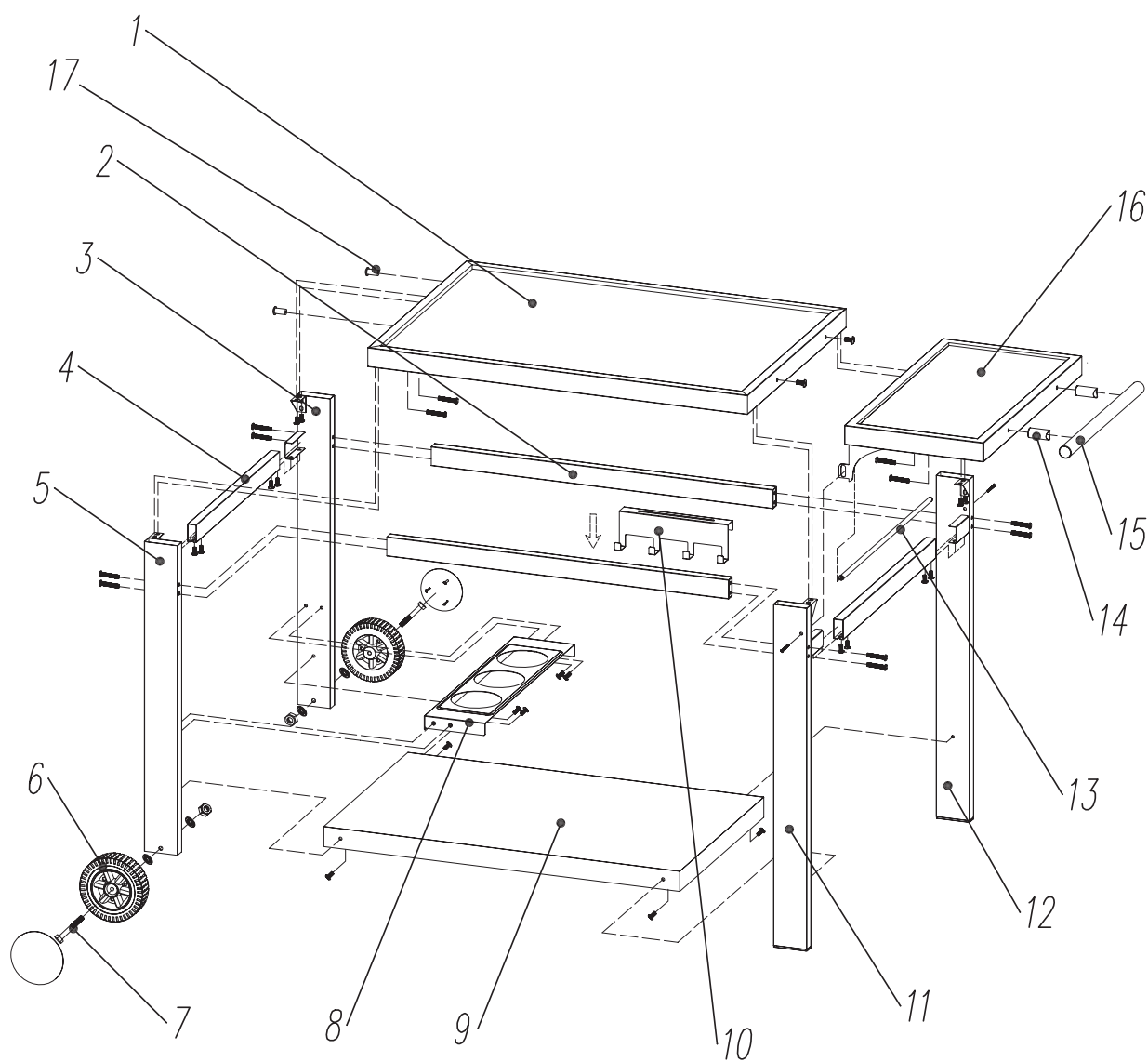
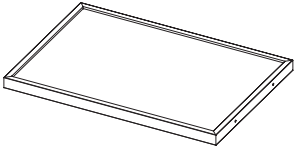



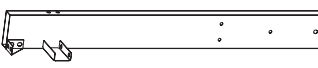


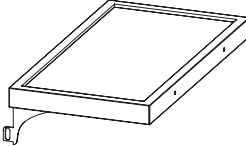
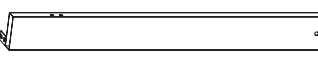

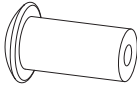
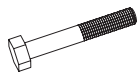
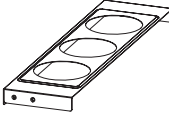
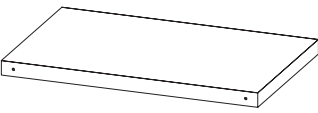
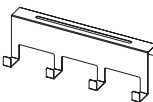
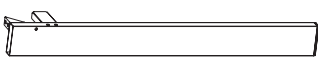
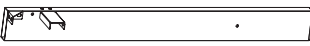
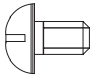
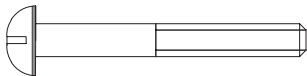
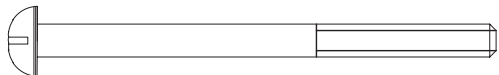


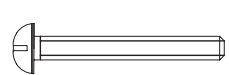
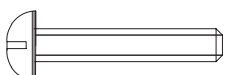


**50min**



| NO. | DESCRIPTION   | QTY | NO. | DESCRIPTION  | QTY |
|-----|---|-----|-----|--|-----|
| ①   |    | 1   | ⑬   |   | 1   |
| ②   |    | 2   | ⑭   |   | 2   |
| ③   |    | 1   | ⑮   |   | 1   |
| ④   |    | 2   | ⑯   |    | 1   |
| ⑤   |    | 1   |     |  |     |
| ⑥   |   | 2   | ⑰   |  | 2   |
| ⑦   |  | 2   |     |  |     |
| ⑧   |  | 1   |     |  |     |
| ⑨   |  | 1   |     |  |     |
| ⑩   |  | 1   |     |  |     |
| ⑪   |  | 1   |     |  |     |
| ⑫   |  | 1   |     |  |     |

| NO. | DESCRIPTION   | SPEC    | QTY |
|-----|---|---------|-----|
| A   |    | M6 × 10 | 26  |
| B   |    | M6 × 50 | 2   |
| C   |    | M6 × 85 | 8   |
| D   |    | M8      | 4   |
| E   |    | M8      | 2   |
| F   |  | M4 × 35 | 2   |
| G   |  | M6 × 30 | 2   |
|     |   |         |     |

