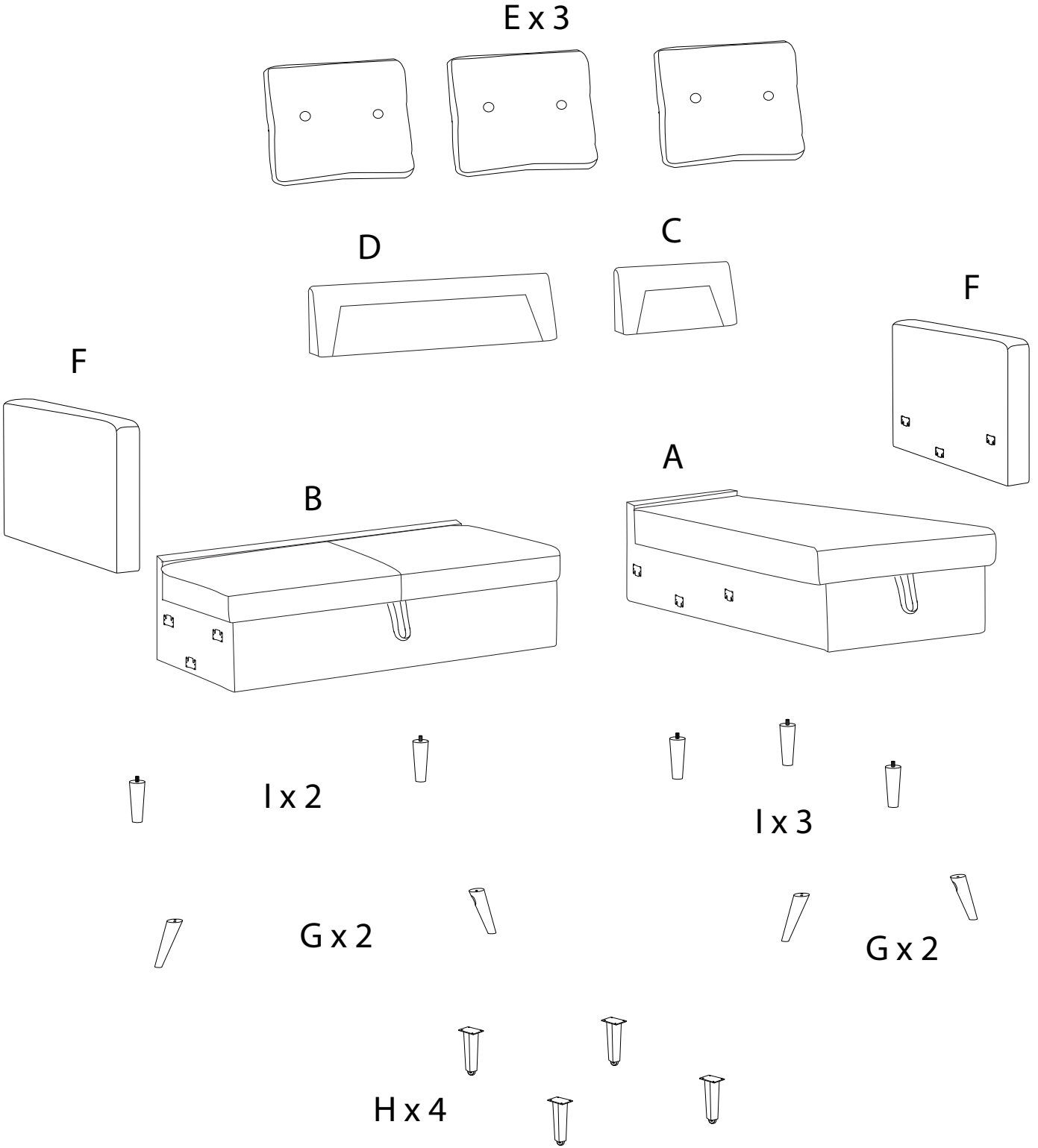
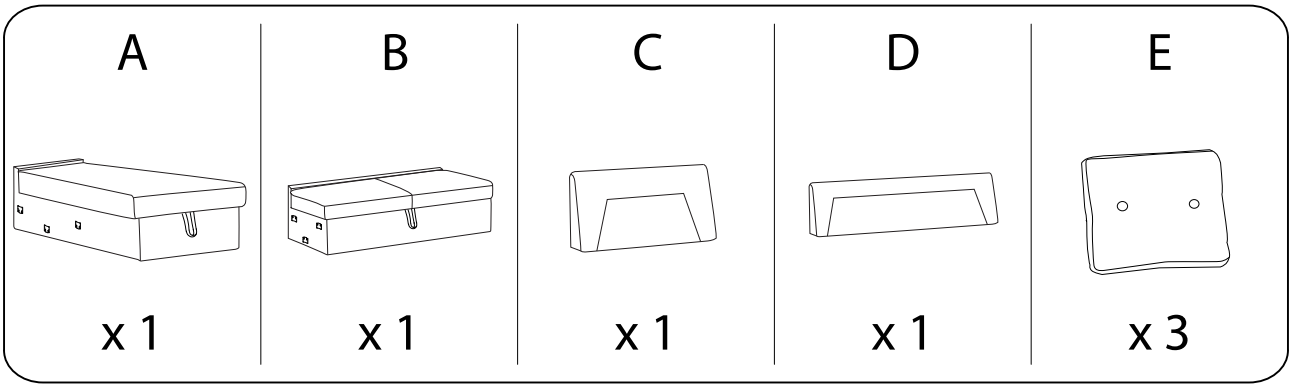
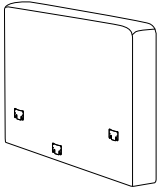

1		



F



x 2

G



x 4

H



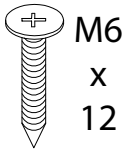
x 4

I



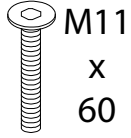
x 5

J



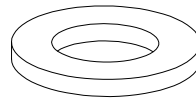
x 16

K



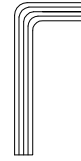
x 4

L



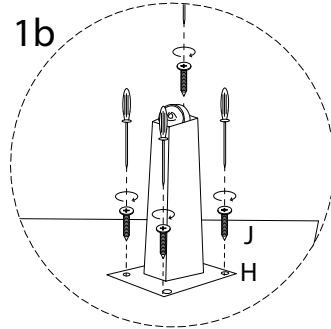
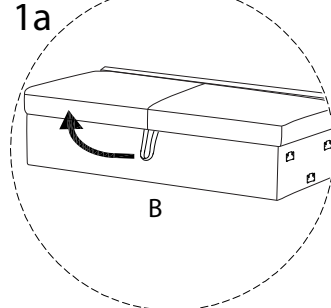
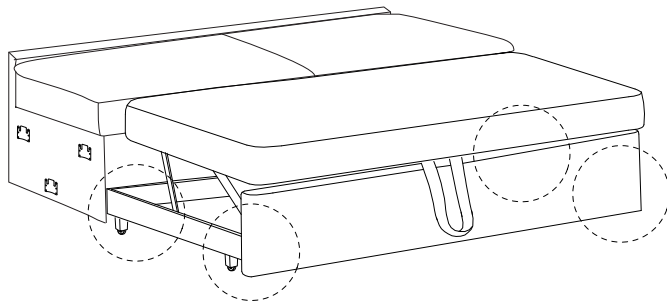
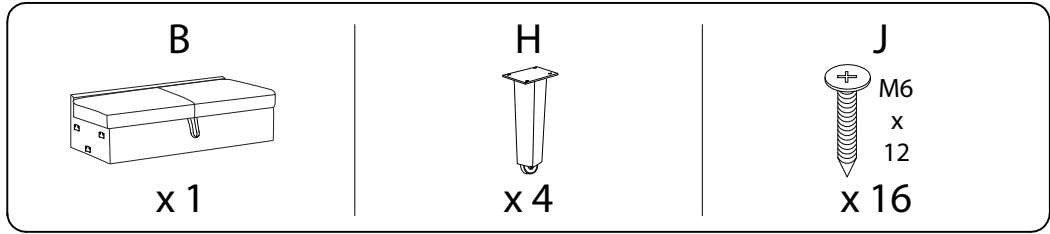
x 4

M

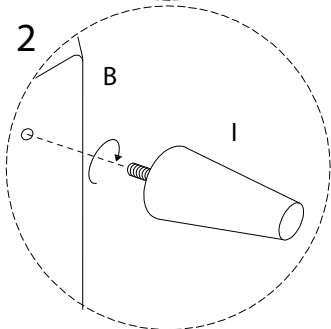
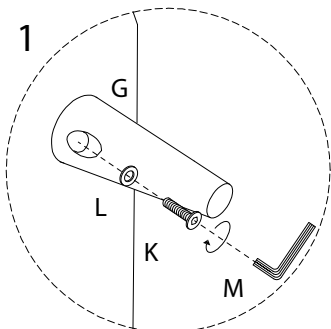
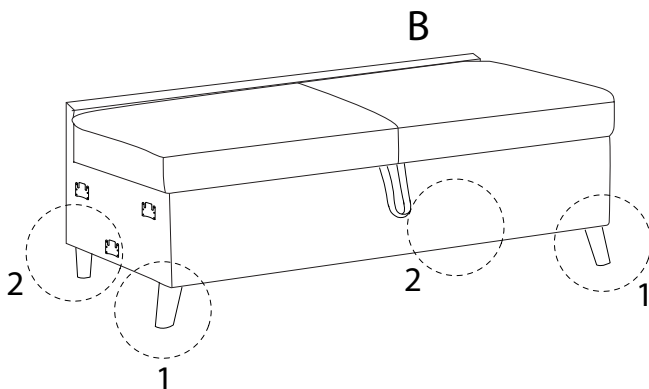
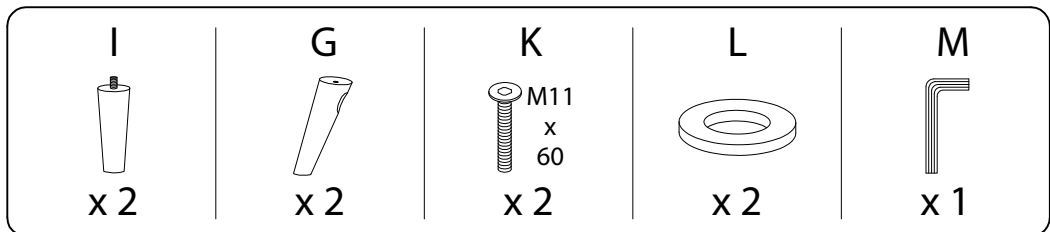


x 1

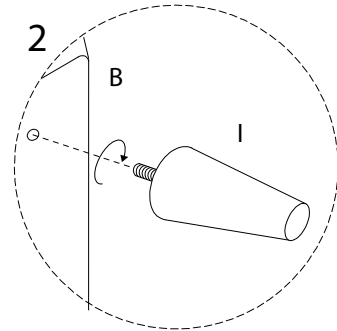
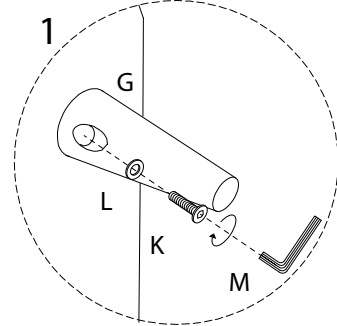
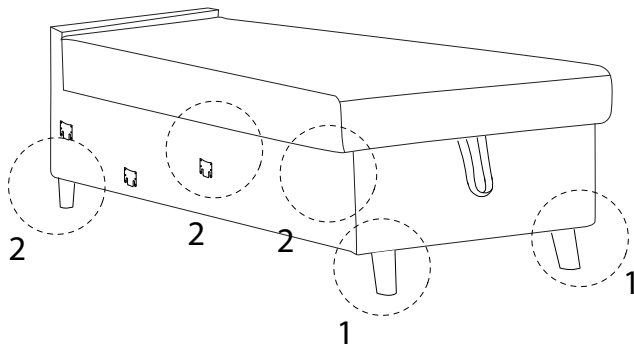
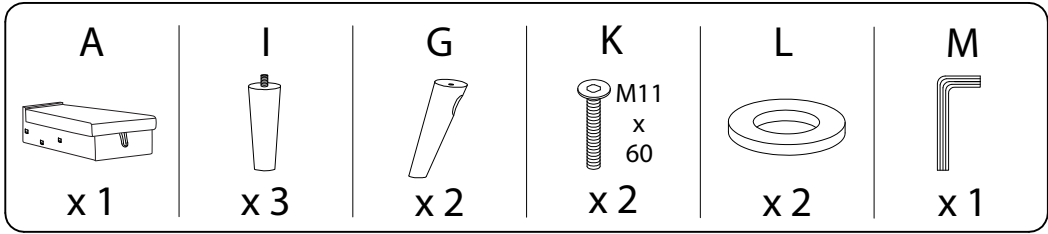
1



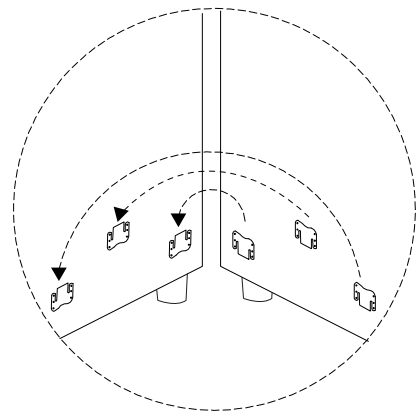
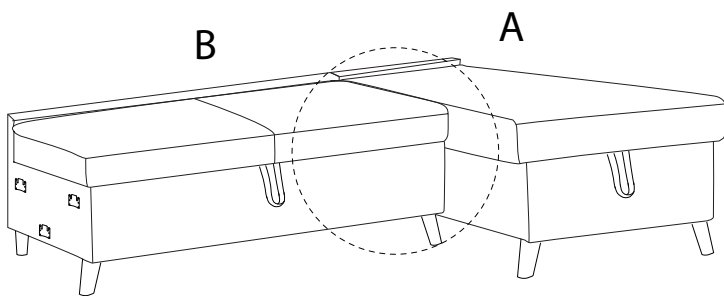
2



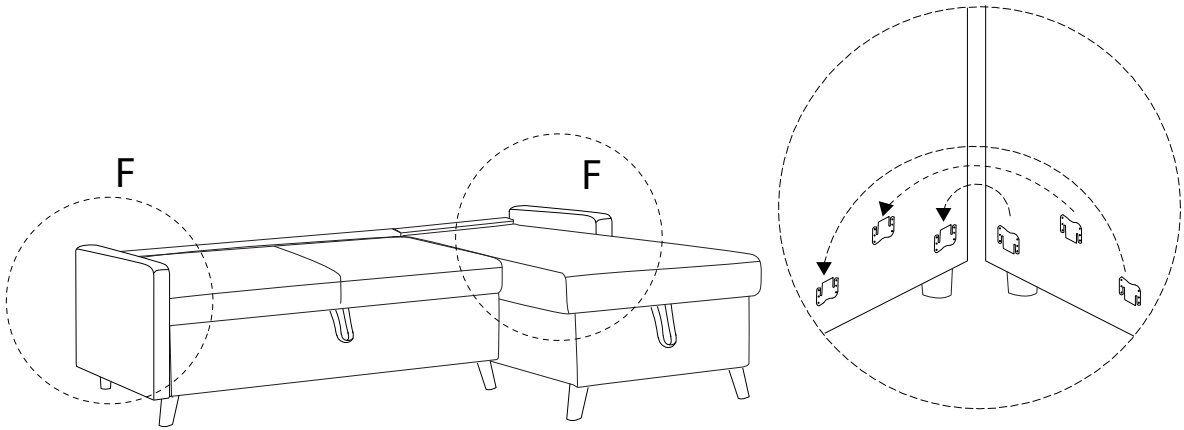
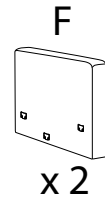
3



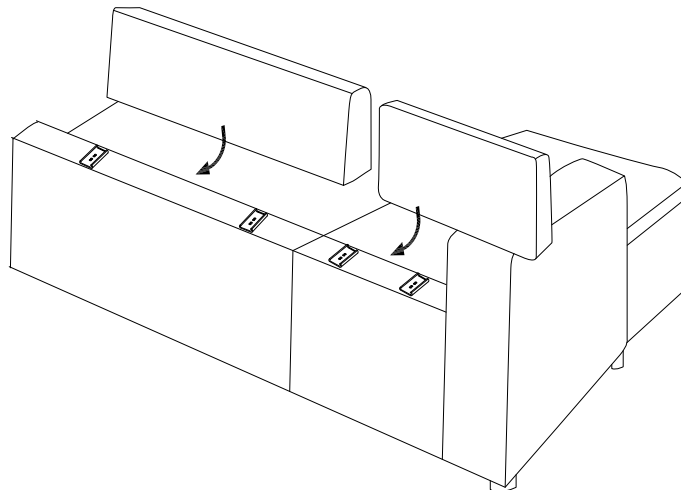
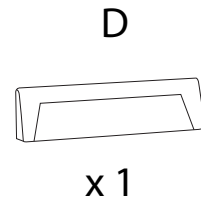
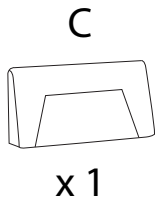
4



5

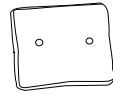


6



7

E



x3

