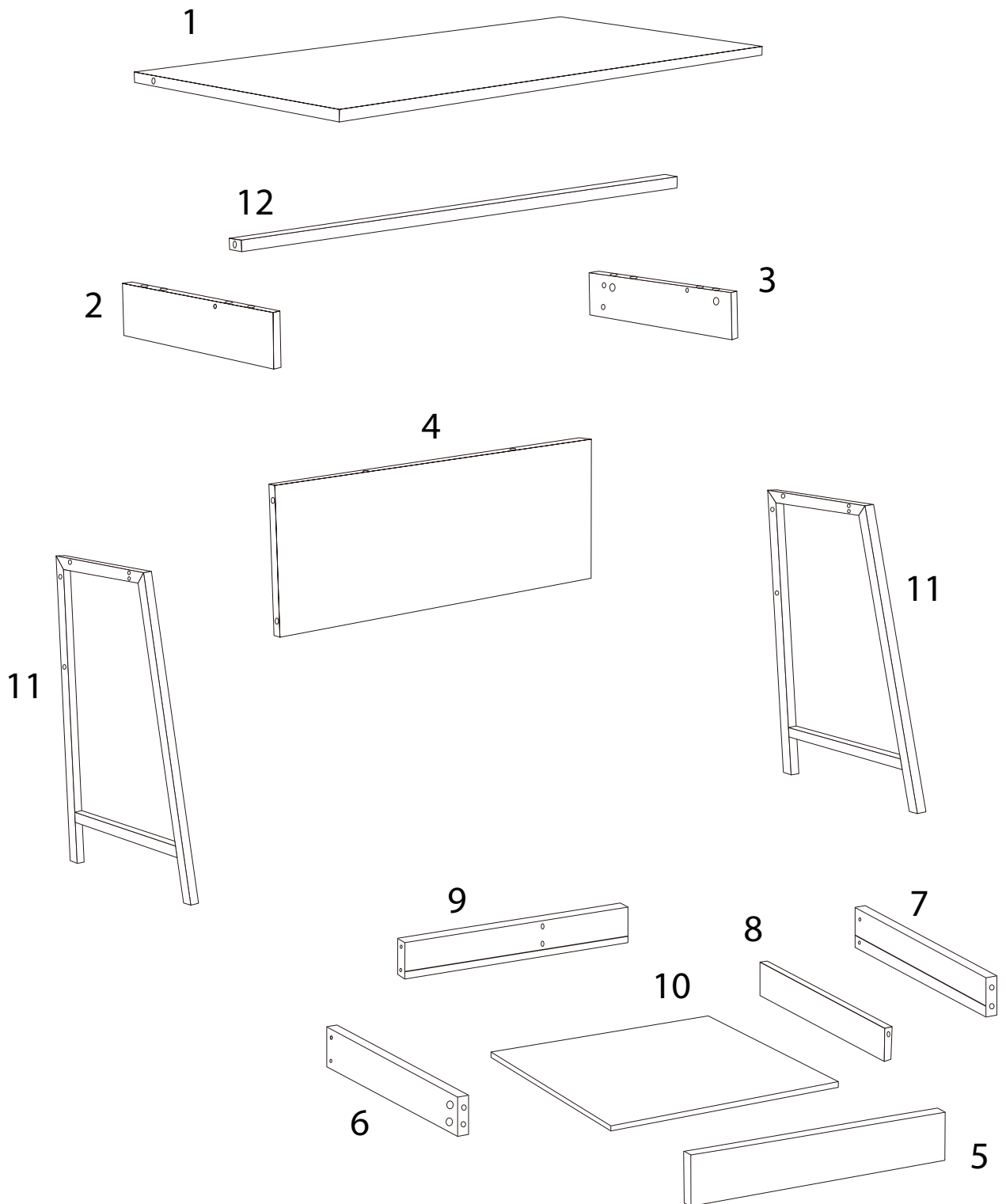
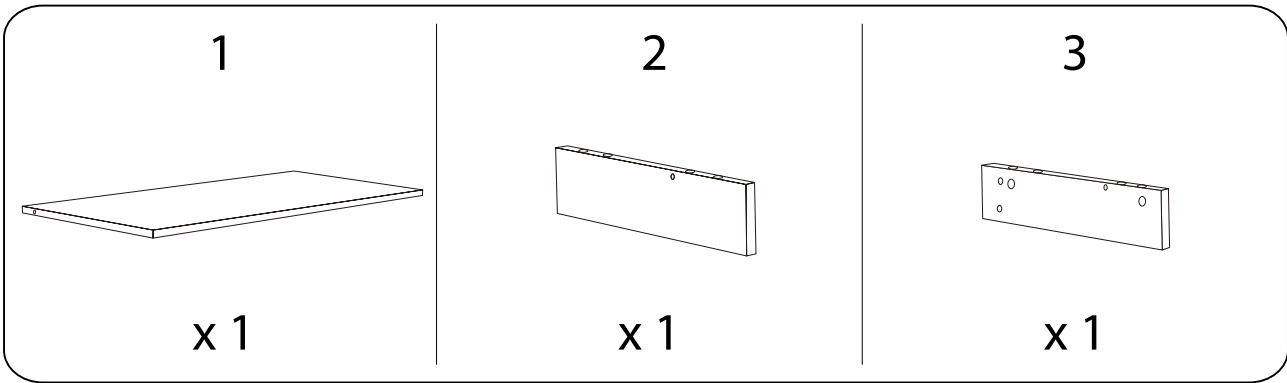
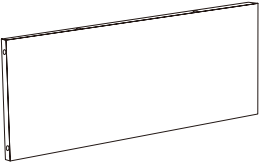
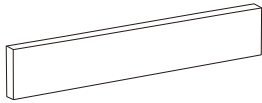
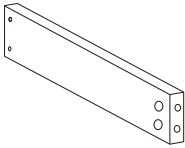
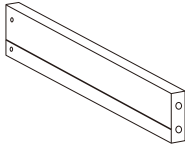
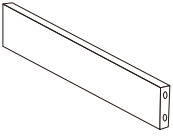
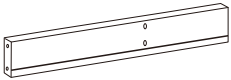
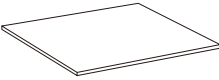
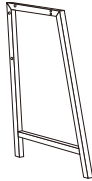

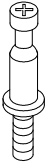
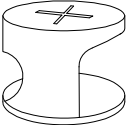
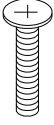
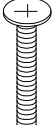
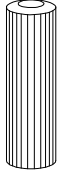
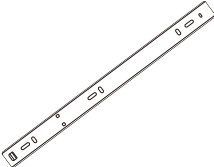
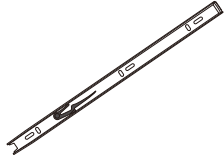
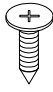
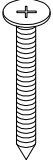
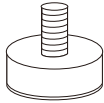




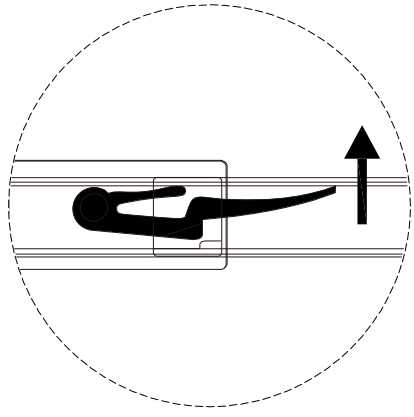
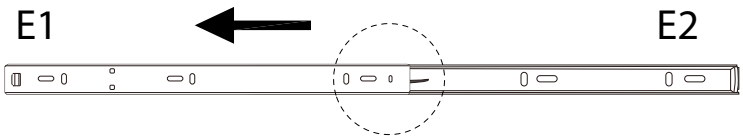
Assembly instructions for step 1/14:

- Tools: A screwdriver is shown as the correct tool, and a power drill is shown with a diagonal line through it, indicating it should not be used.
- Warning: A warning triangle with an exclamation mark is positioned to the right of the tool icons.
- Time: A clock icon is shown, with the text "40'" below it, indicating the estimated assembly time.
- Personnel: A person icon is shown, with the number "1" below it, indicating that one person is required for assembly.
- Diagram: A diagram shows a rectangular block being placed on a surface with a textured edge. A second diagram shows the block being pushed down, with a diagonal line through it, indicating that the block should not be pushed down.



<p>4</p>  <p>x 1</p>	<p>5</p>  <p>x 1</p>	<p>6</p>  <p>x 1</p>	<p>7</p>  <p>x 1</p>	
<p>8</p>  <p>x 1</p>	<p>9</p>  <p>x 1</p>	<p>10</p>  <p>x 1</p>	<p>11</p>  <p>x 2</p>	<p>12</p>  <p>x 1</p>
<p>A1</p>  <p>x 14</p>	<p>A2</p>  <p>x 14</p>	<p>B</p>  <p>M6 x 25</p> <p>x 2</p>	<p>C</p>  <p>M6 x 50</p> <p>x 2</p>	<p>D</p>  <p>x 4</p>
<p>E1</p>  <p>x 2</p>	<p>E2</p>  <p>x 2</p>	<p>F</p>  <p>ST3.5 x 12</p> <p>x 8</p>	<p>G</p>  <p>ST5 x 50</p> <p>x 16</p>	<p>H</p>  <p>x 4</p>

!

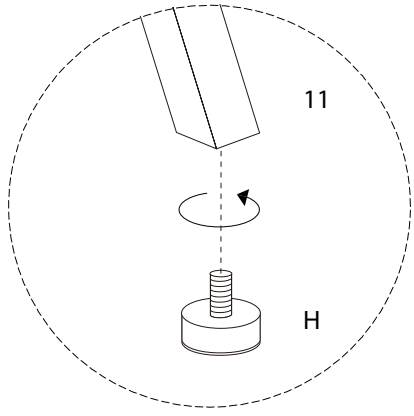
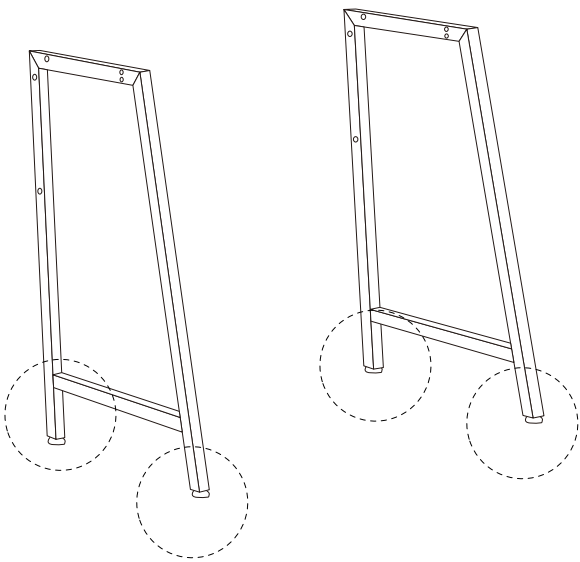
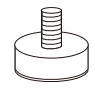


1

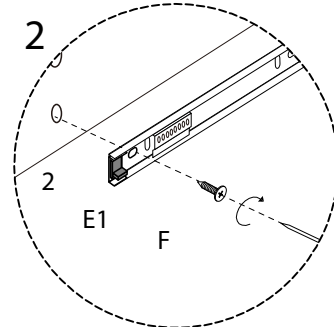
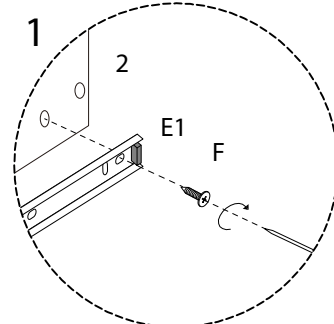
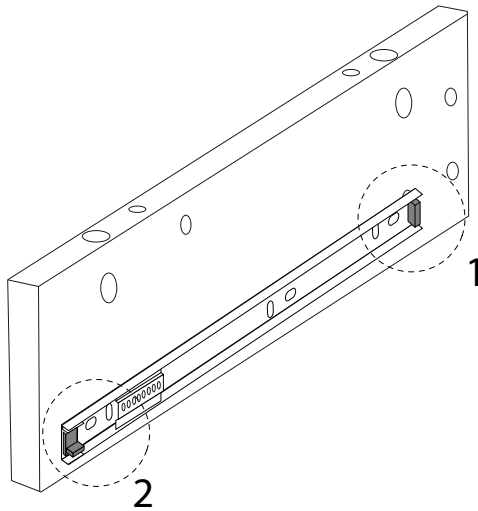
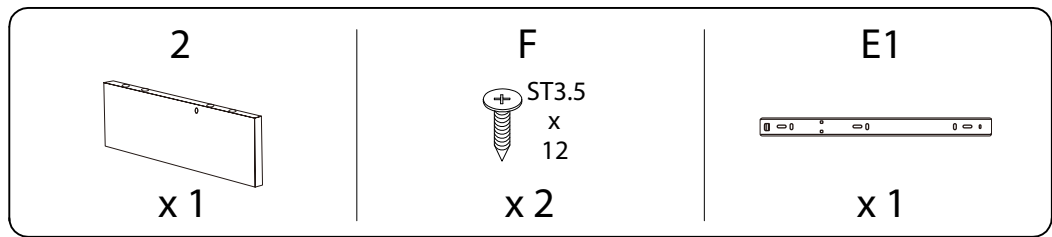
11
x 2



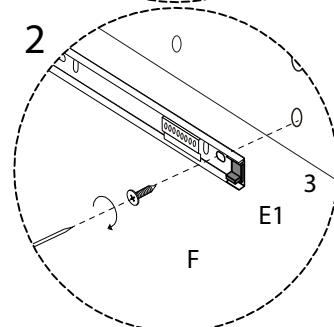
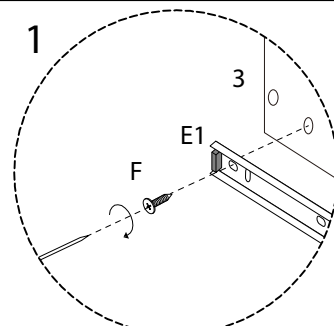
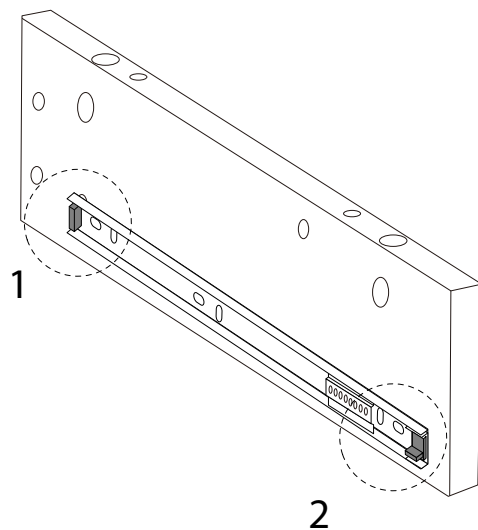
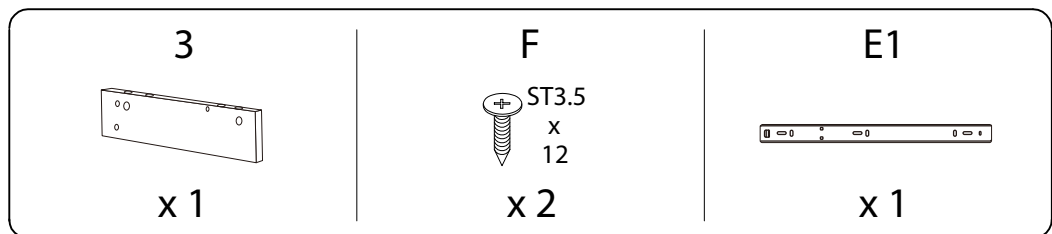
H
x 4



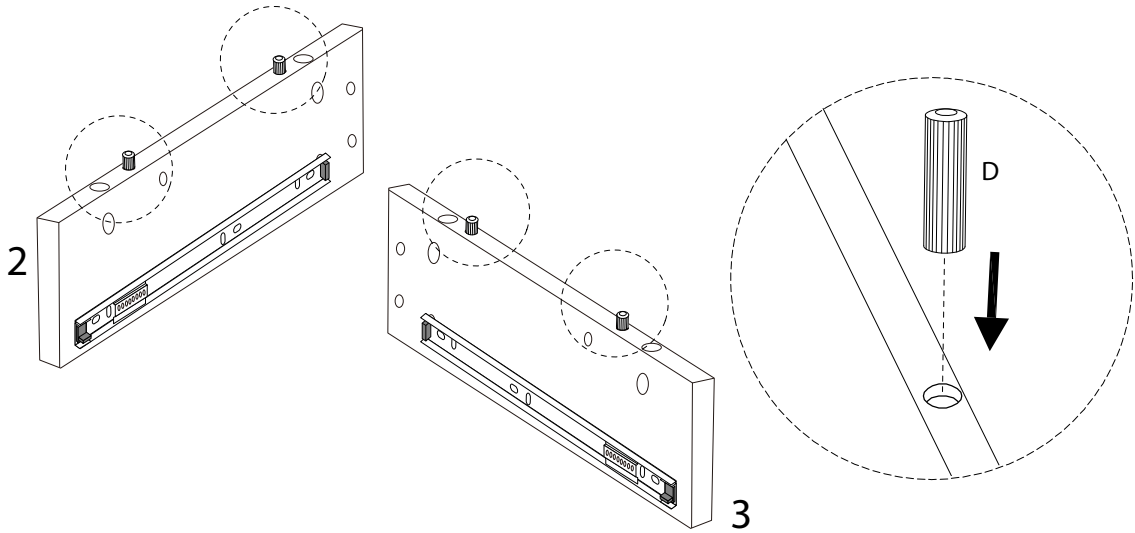
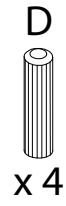
2



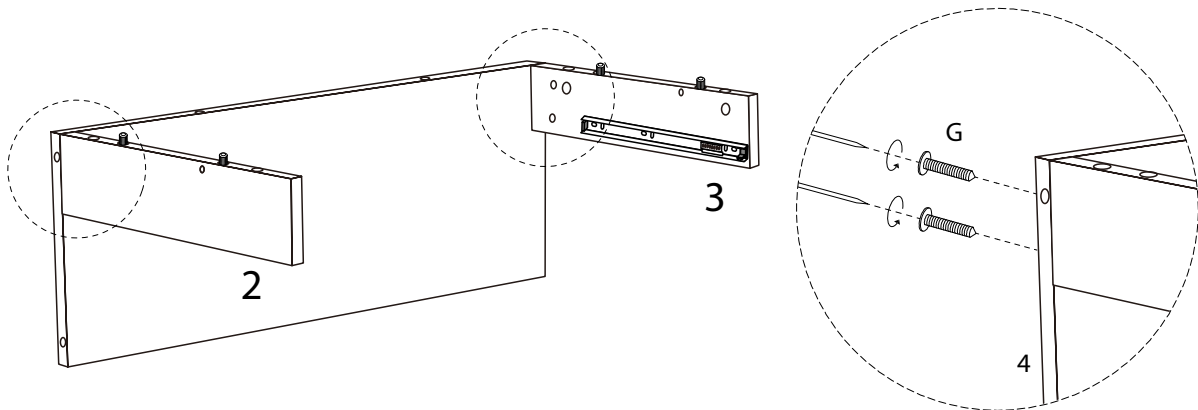
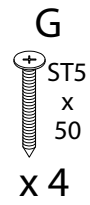
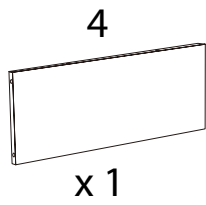
3



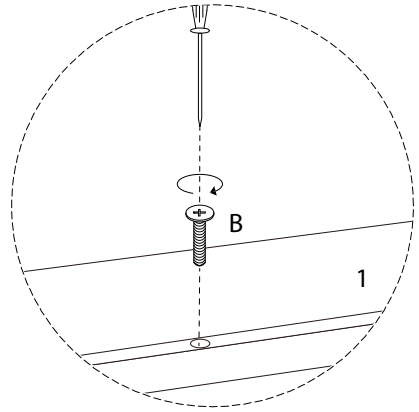
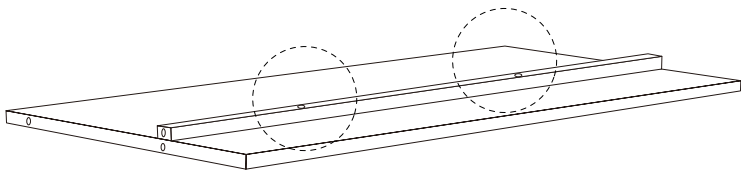
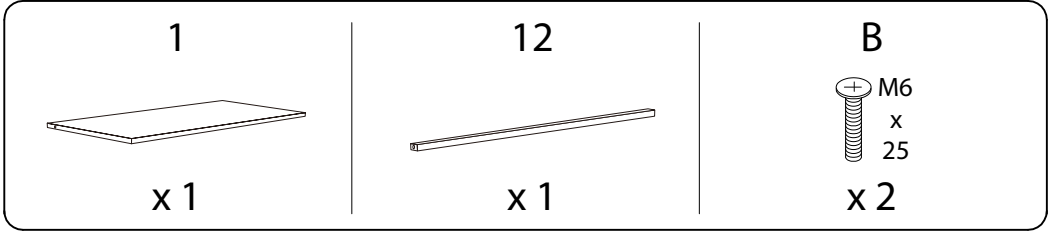
4



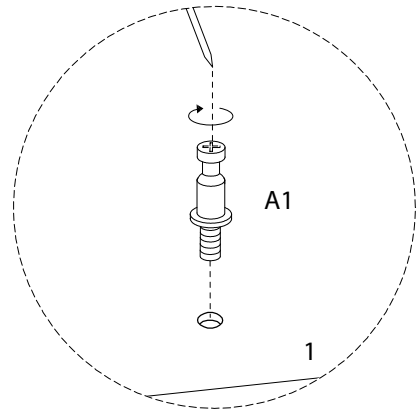
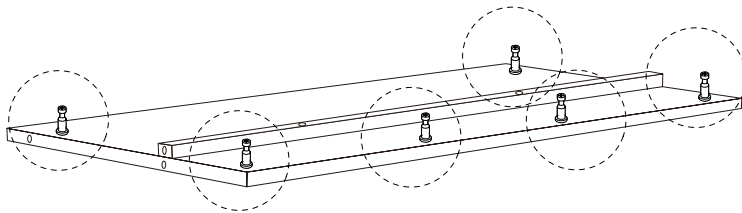
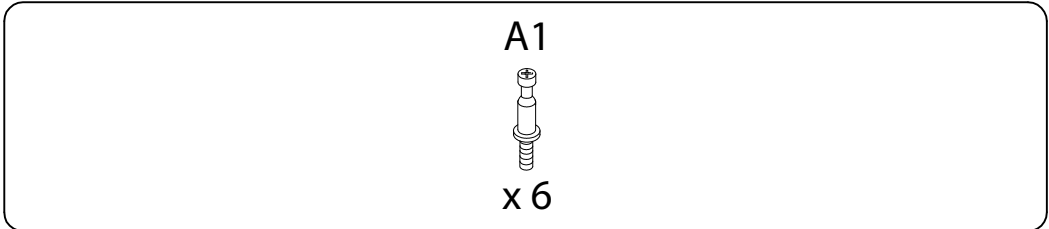
5



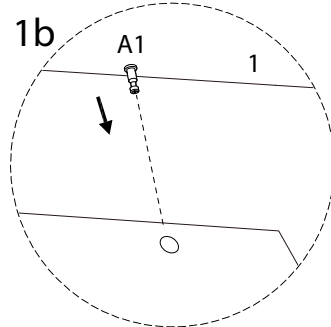
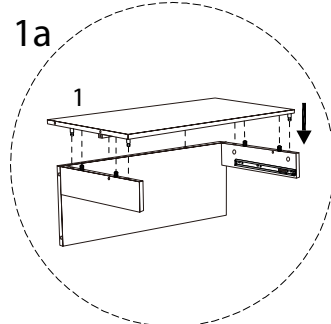
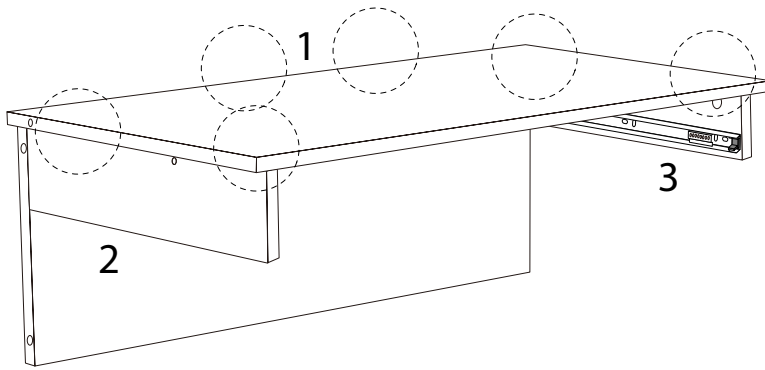
6



7



8

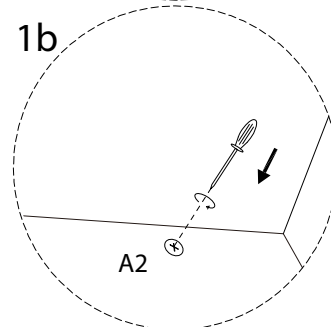
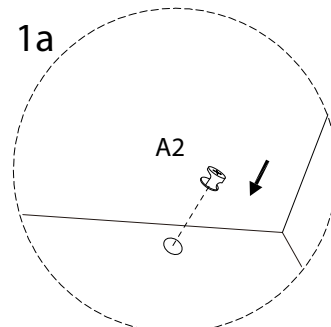
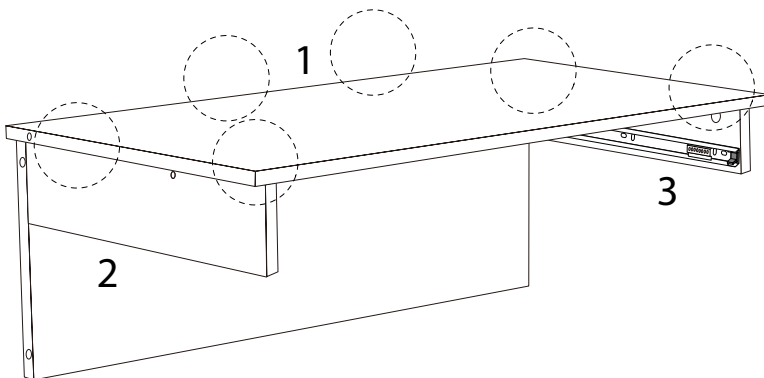


9

A2



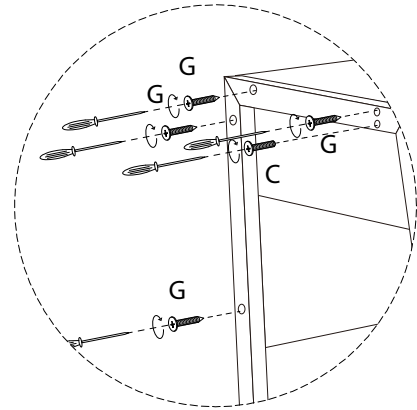
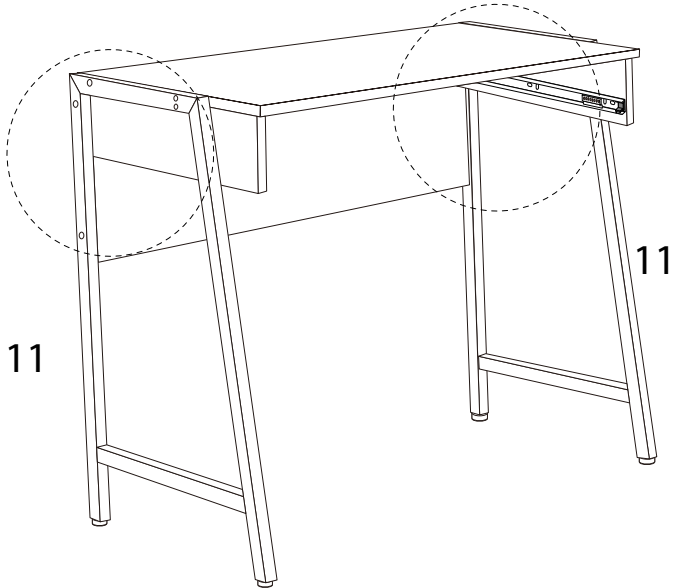
x 6



10

G
ST5
x
50
x 8

C
M6
x
50
x 2

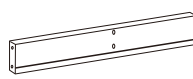


11

5

9

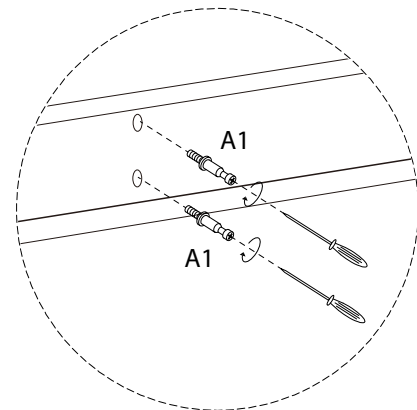
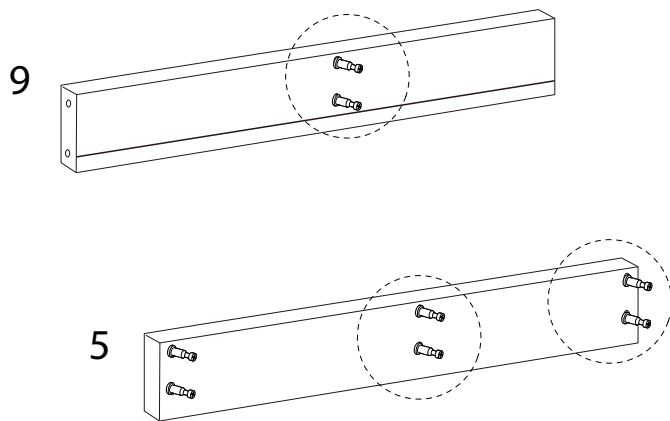
A1



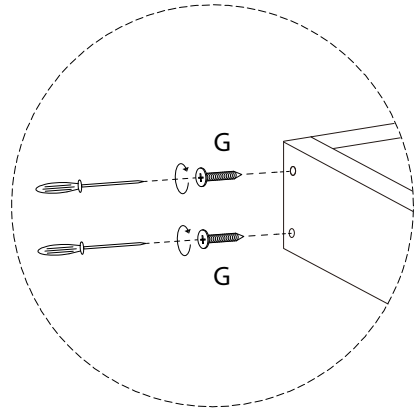
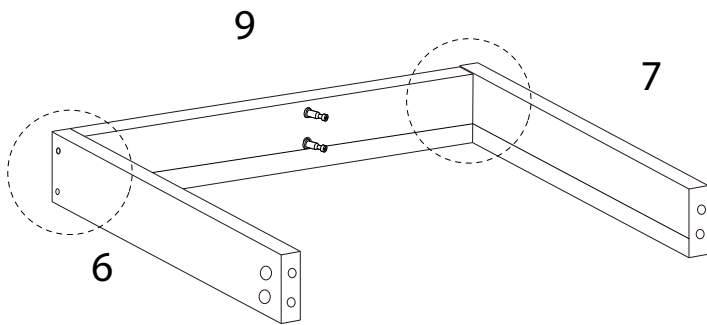
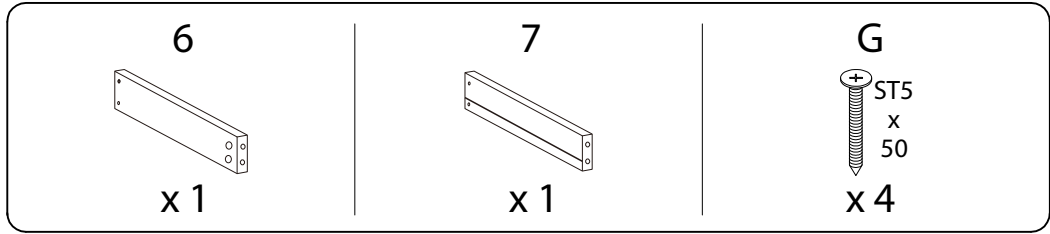
x 1

x 1

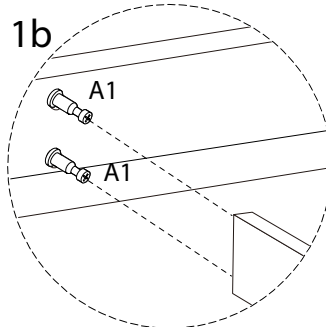
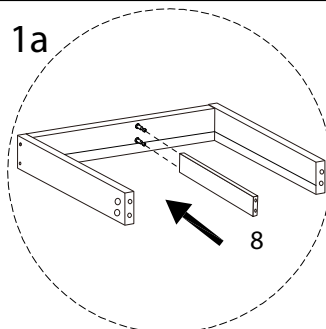
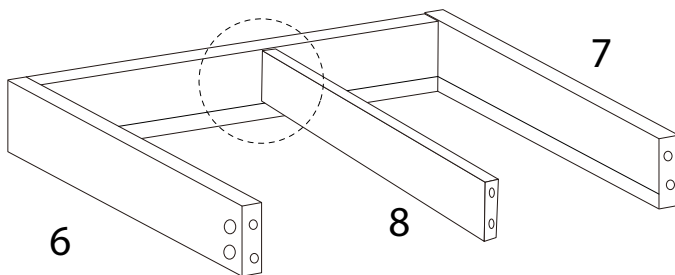
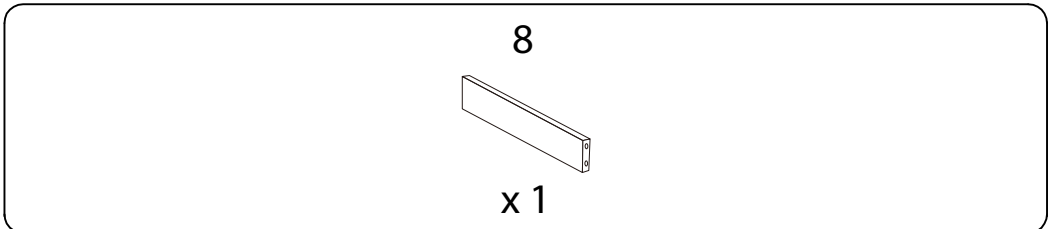
x 8



12



13

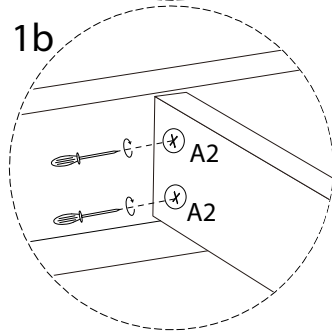
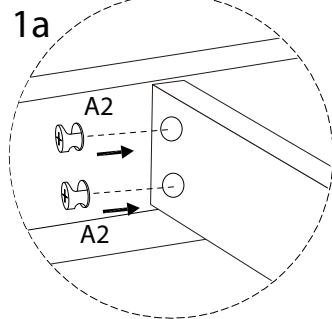
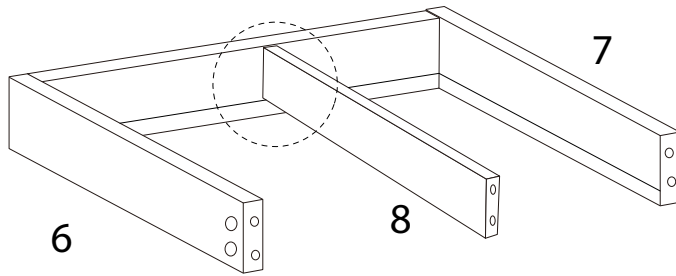


14

A2

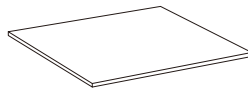


x 2

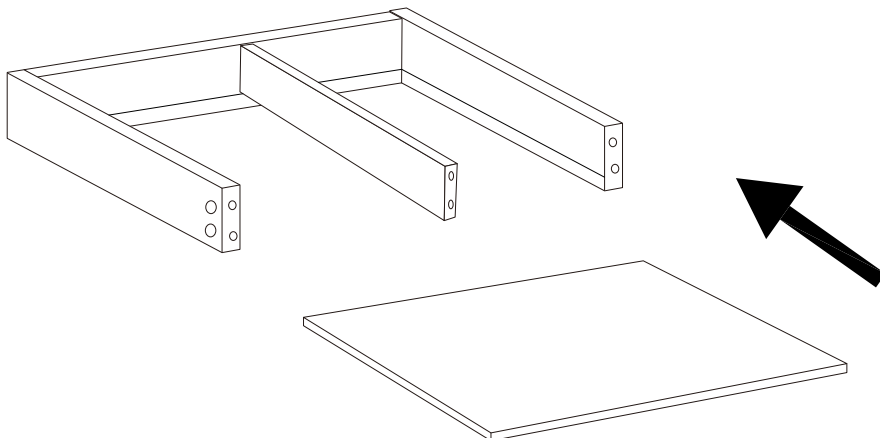


15

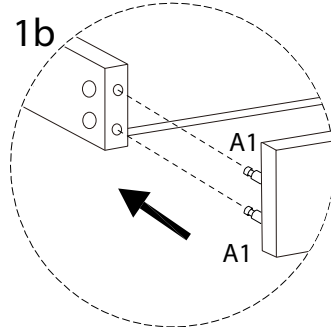
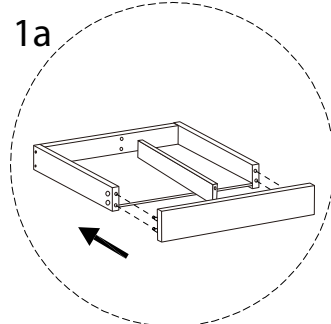
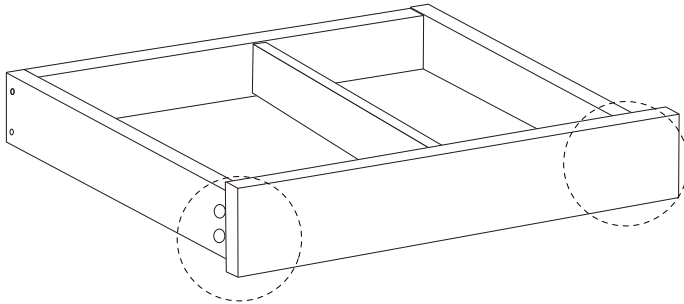
10



x 1



16

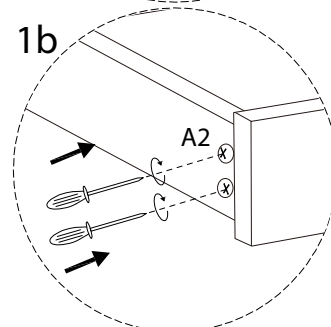
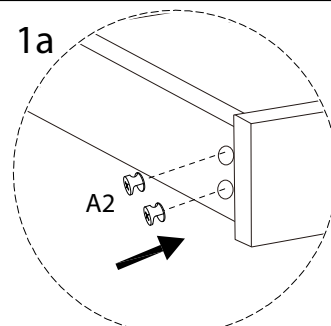
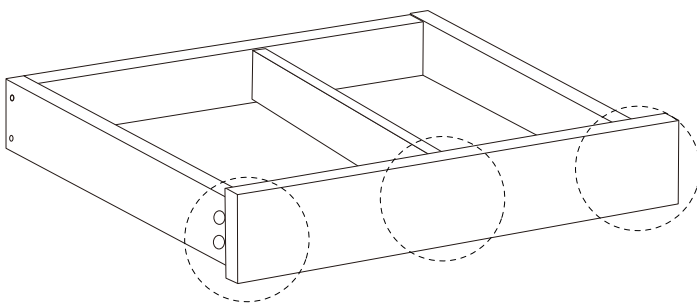


17

A2



x 6



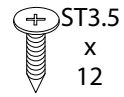
18

E2

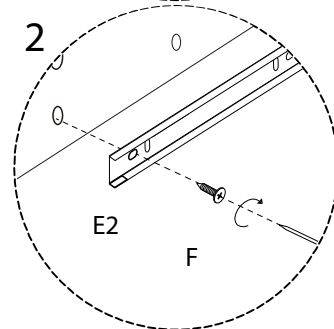
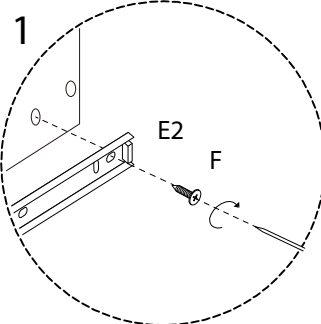
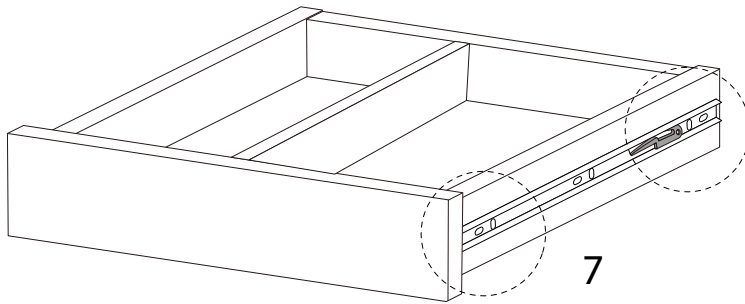


x 1

F



x 2



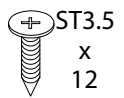
19

E2

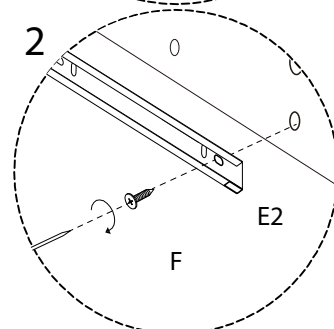
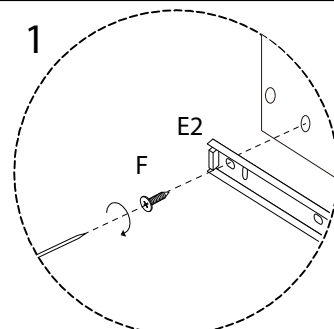
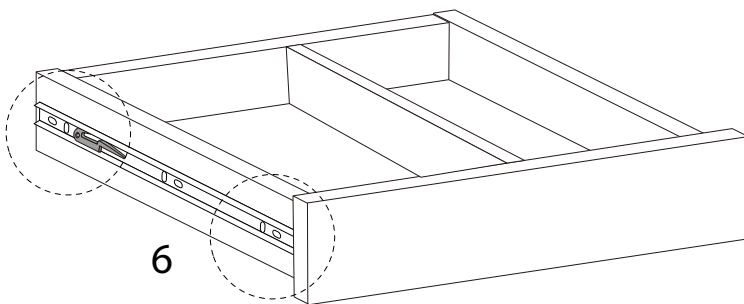


x 1

F



x 2



20

