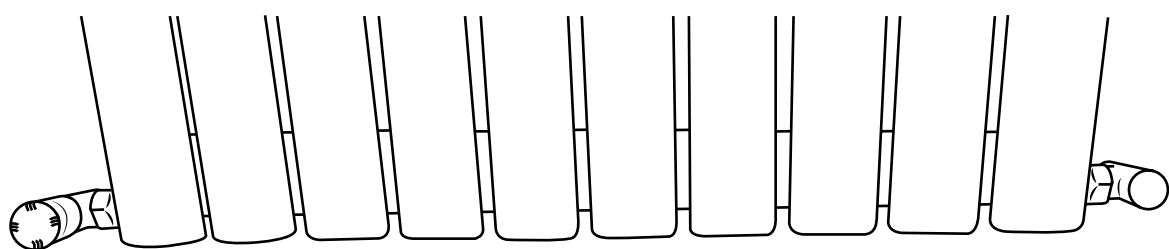



Milano

Angled Thermostatic Valve



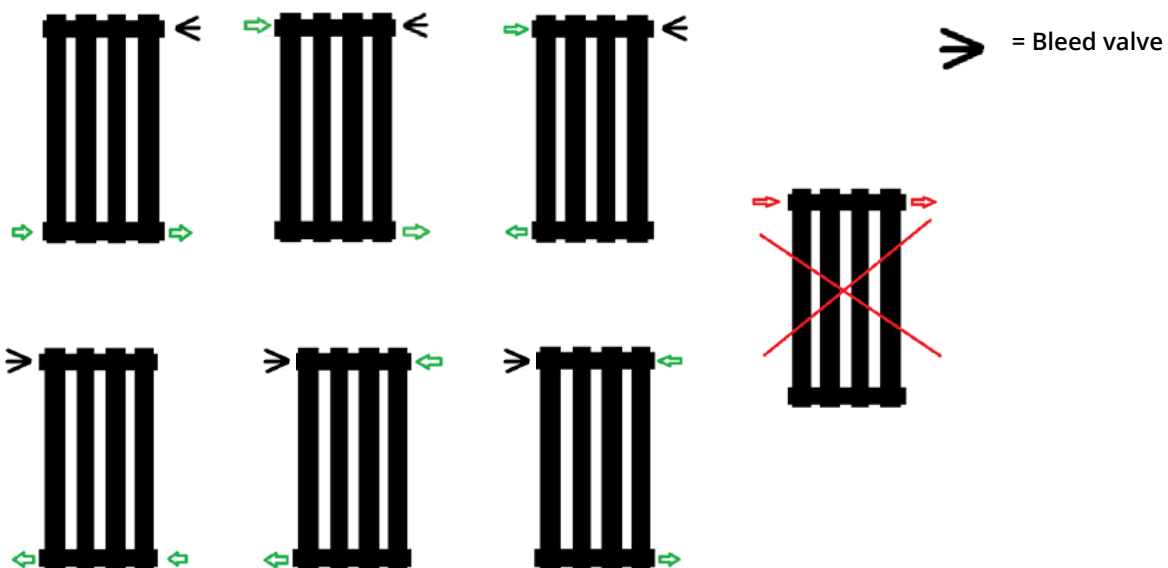
 Style may vary

Installation Guide

Other Information

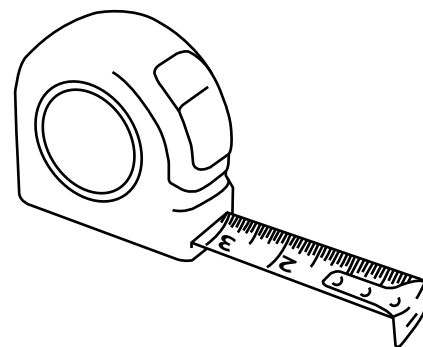
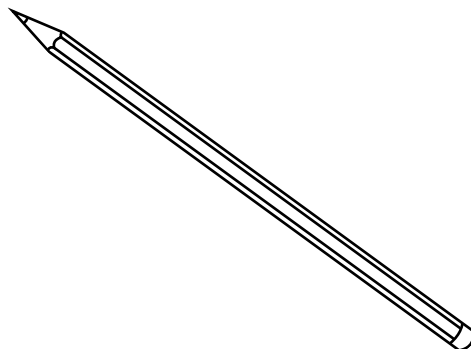
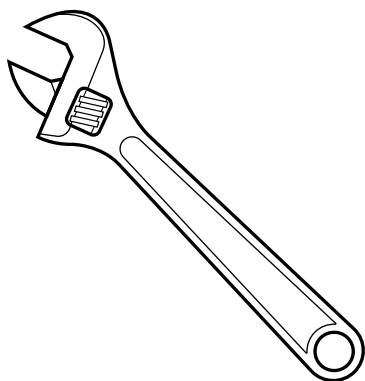
Valve installation advice:

Please ensure that your radiator valves are fitted as per the below diagrams ensuring that a bleed point always remains at the top of the unit.



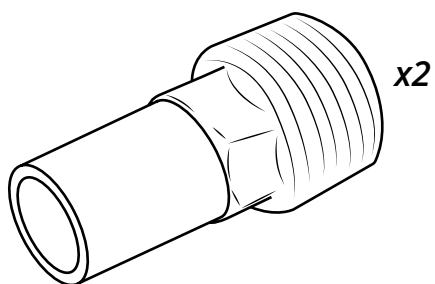
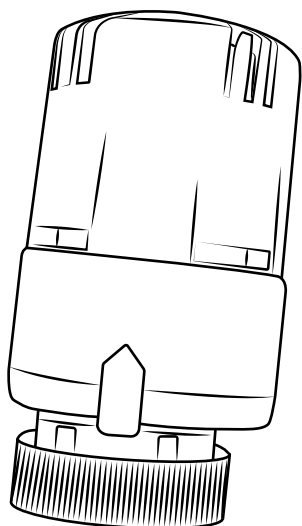
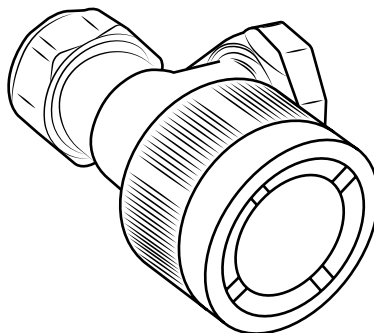
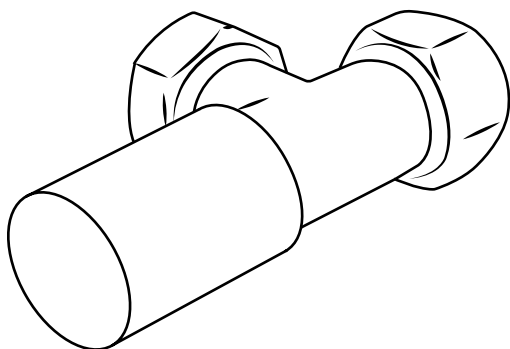
For further information on installing your radiator valves, please consult the instructions provided with them.

Tools required for installing:

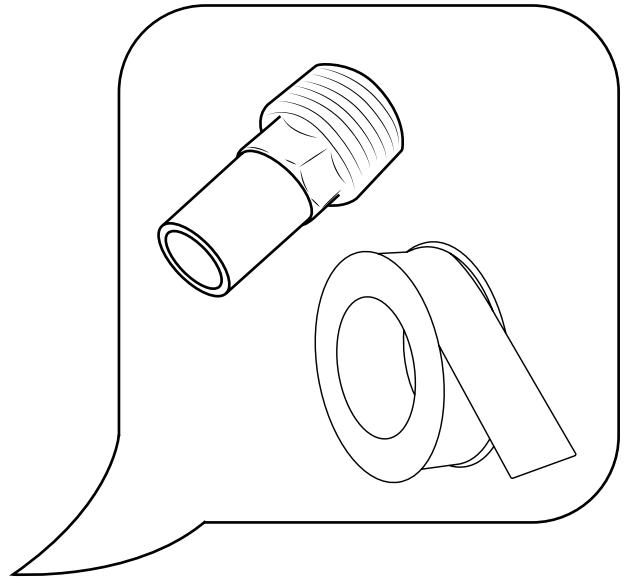


Installation

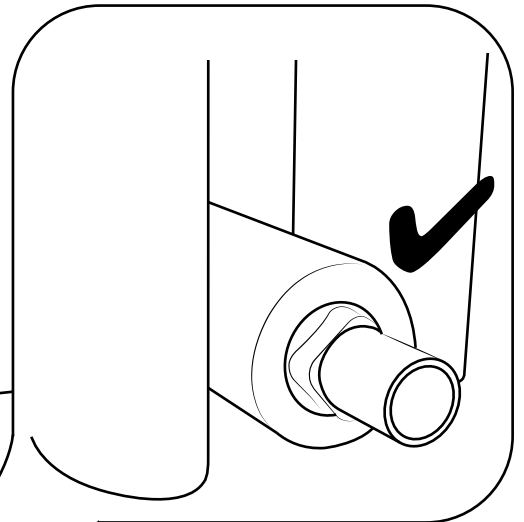
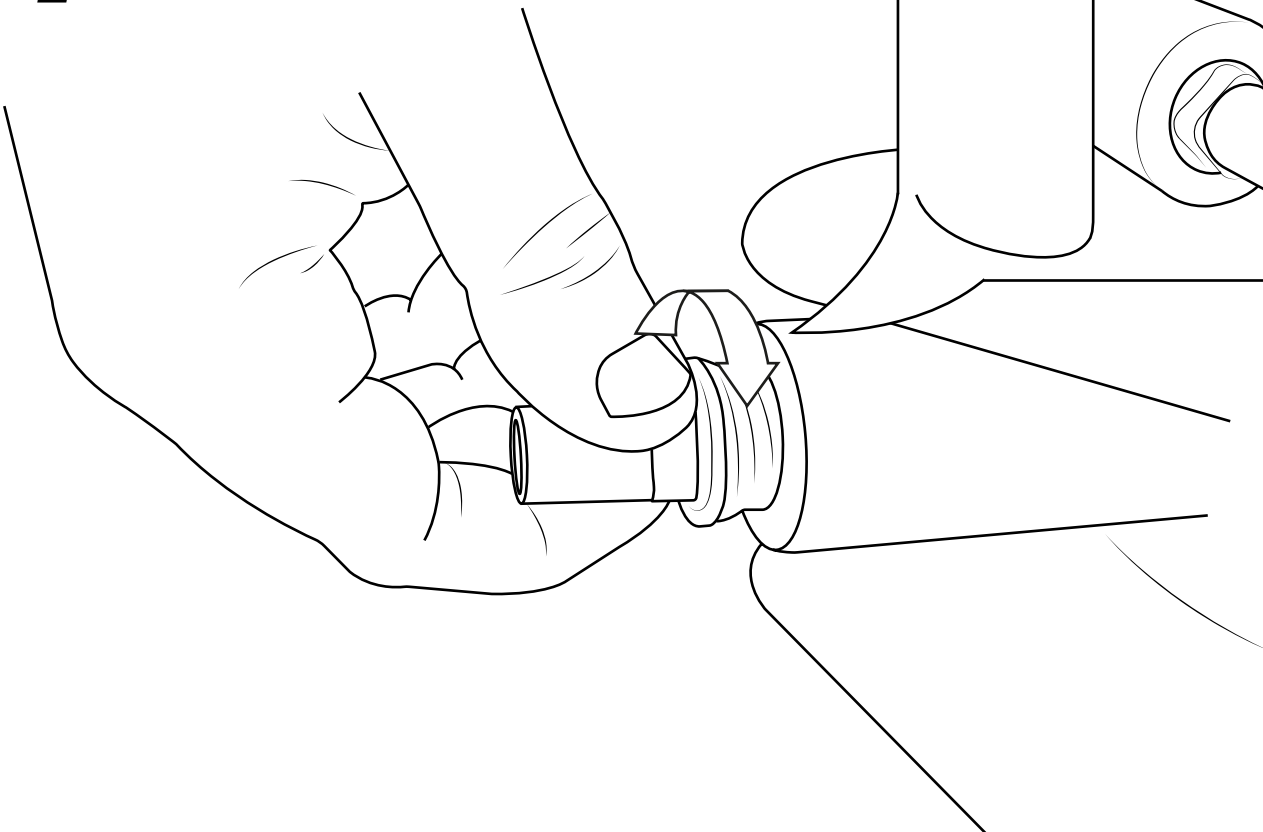
Parts included:



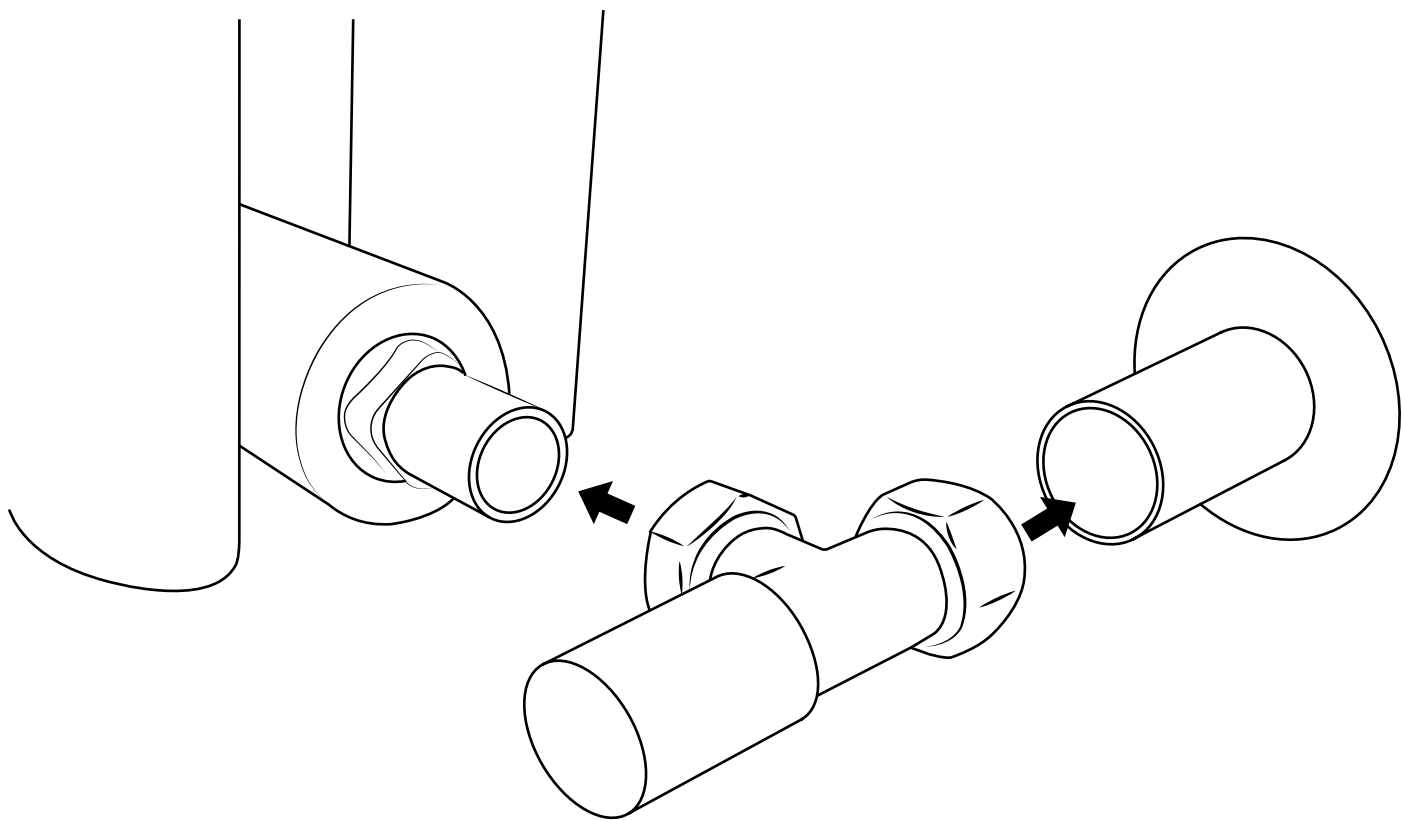
1



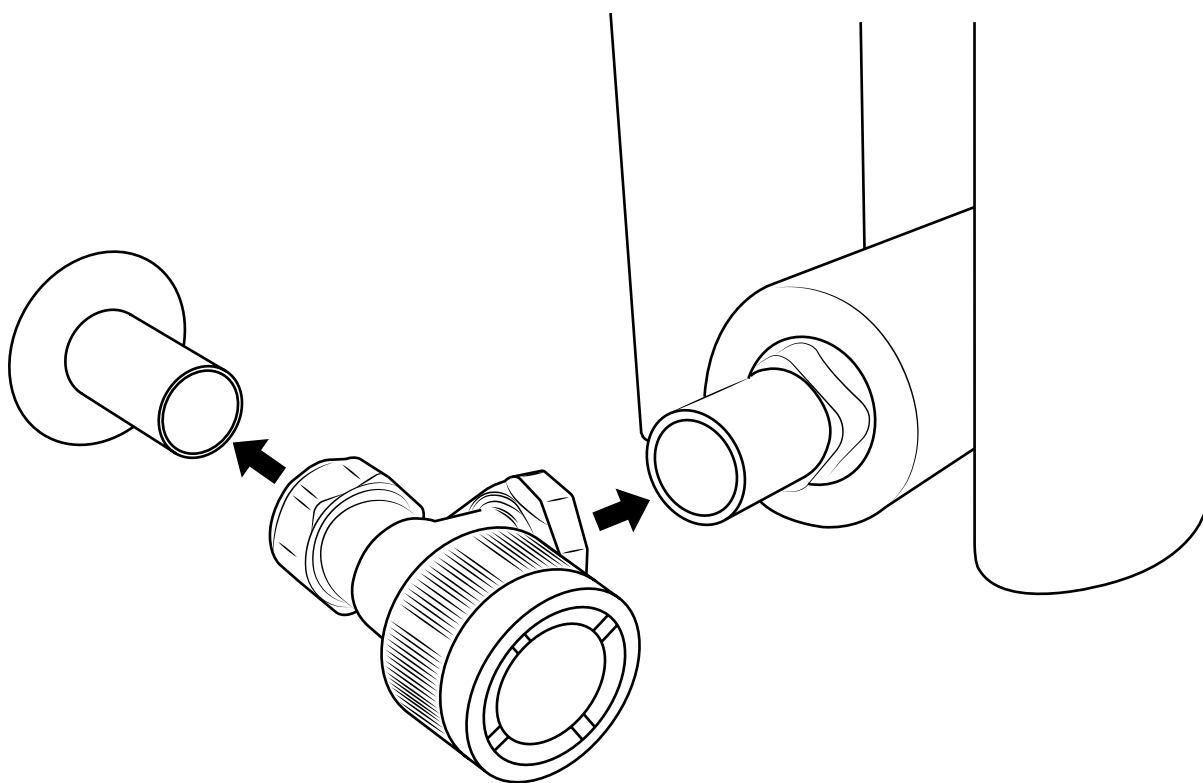
2



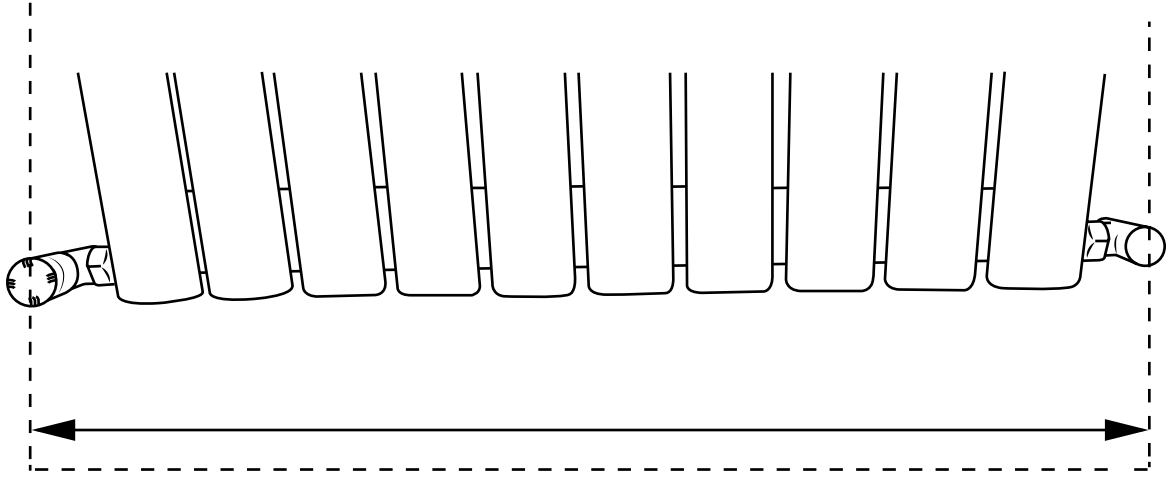
3



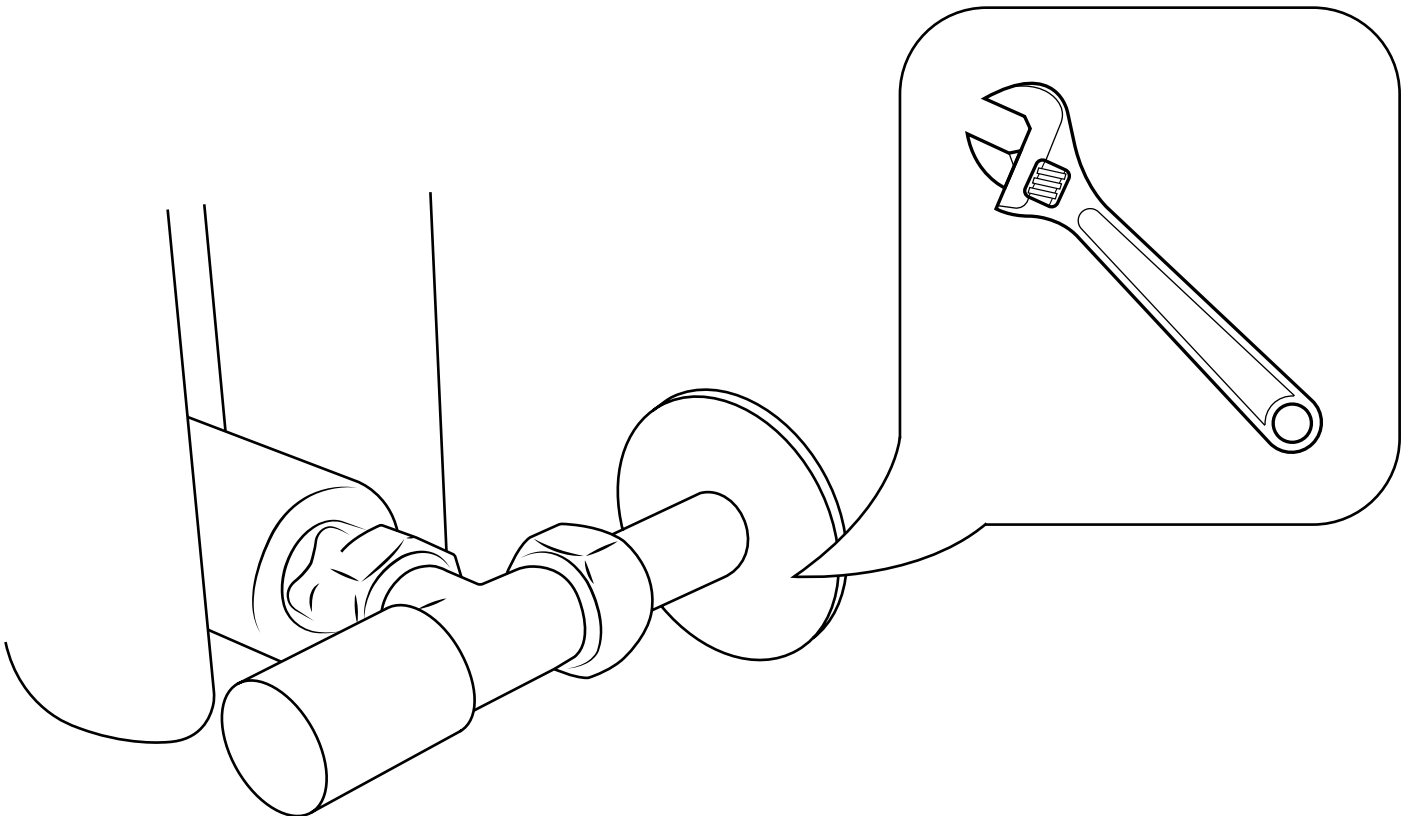
4



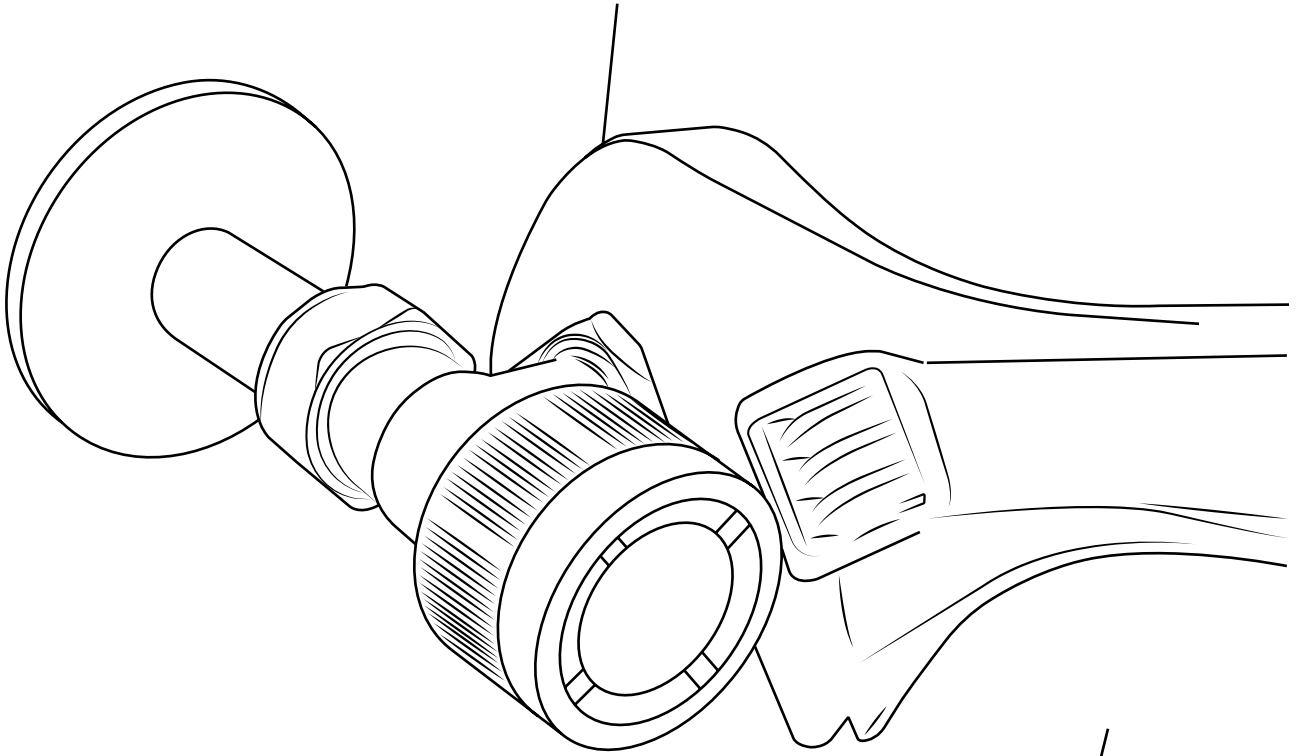
5



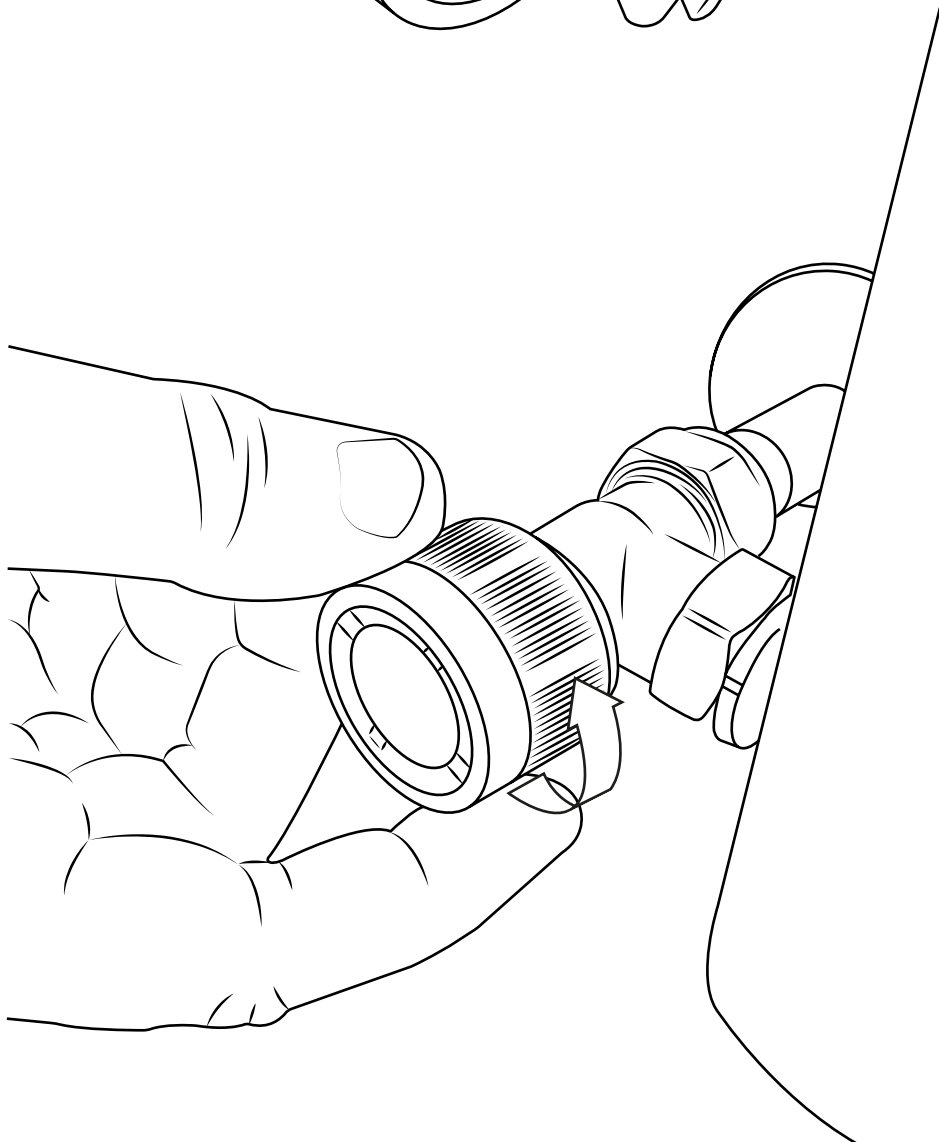
6



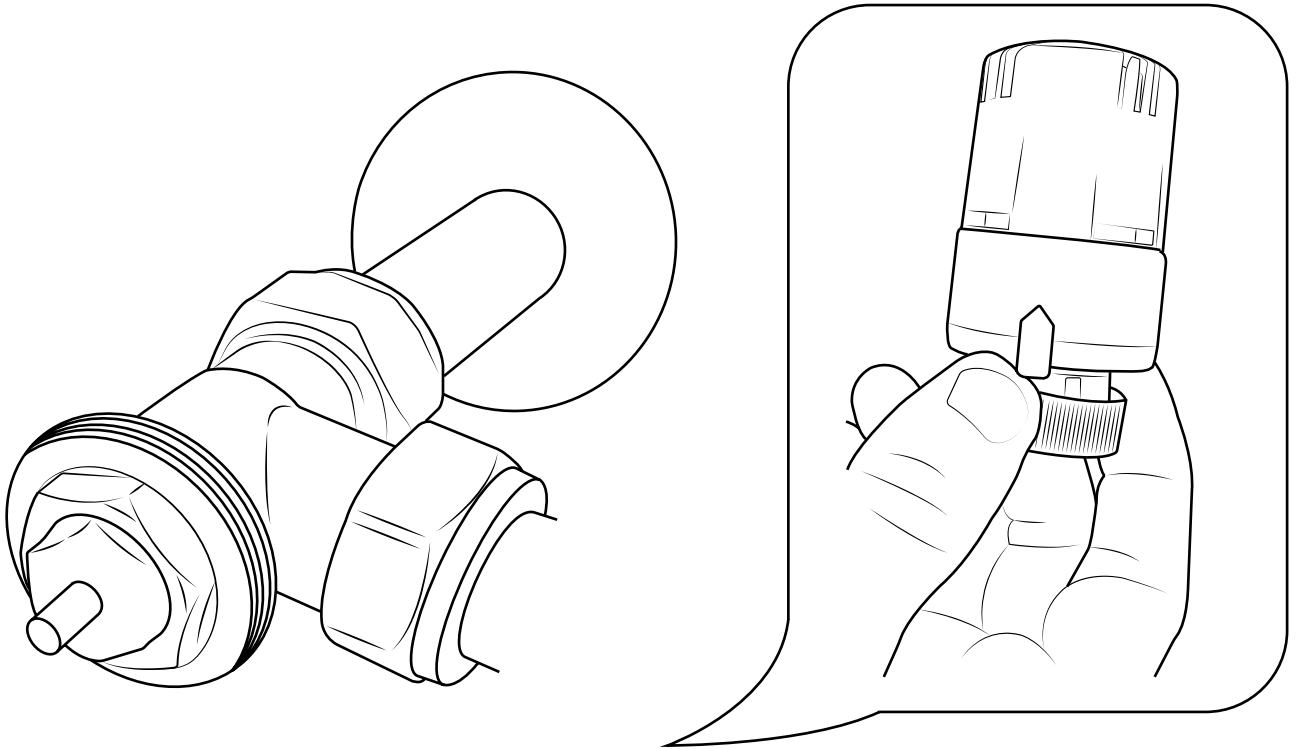
7



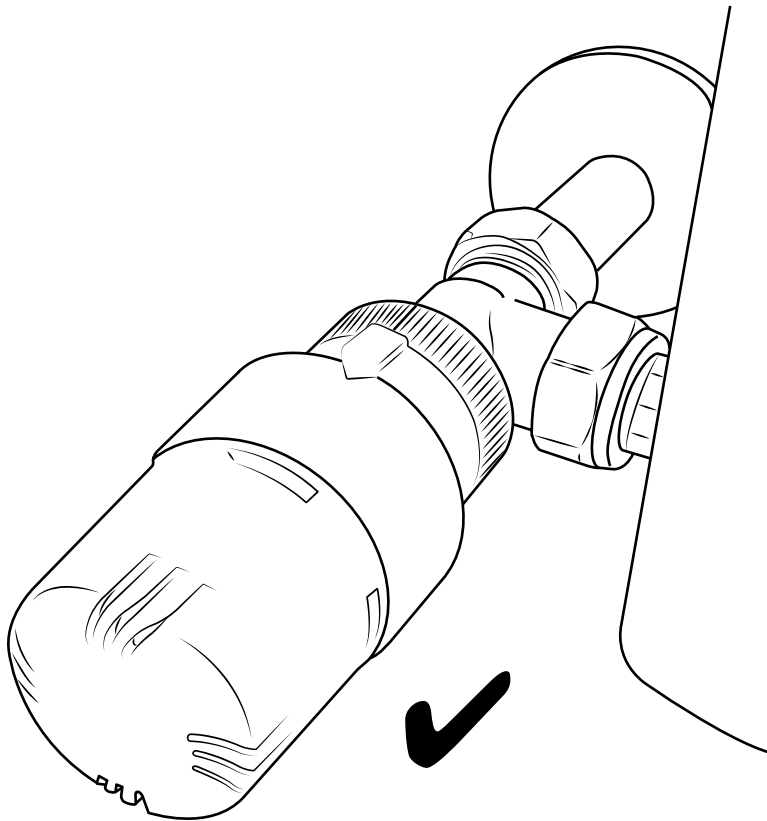
8



9



10



11

