

# Milano

## Radiator Cabinet

### Installation Guide

**Contents**

Safety Information **Page - 2**

Installation **Page - 2**

Guarantee Information **Page - 6**

Recycling & Disposal **Page - 6**

# Safety Information

---

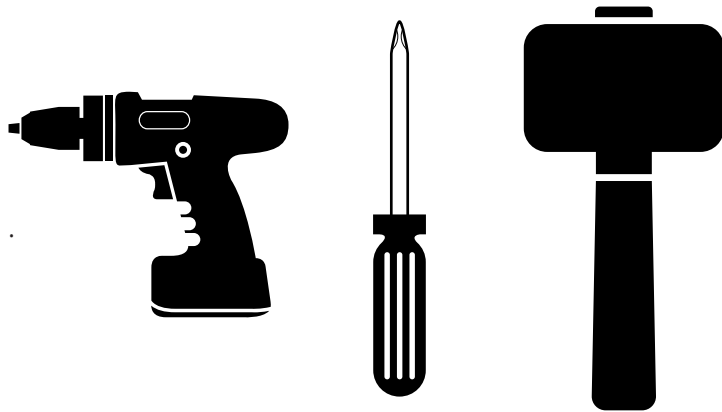
## *Please read carefully...*

- ✓ Check the product for defects before installing.
- ✓ Ensure all parts are present before you begin installation.

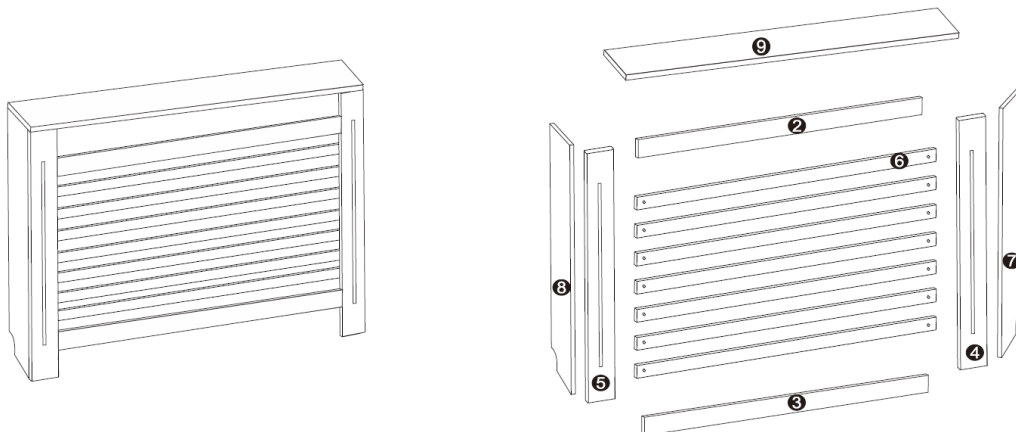
# Installation

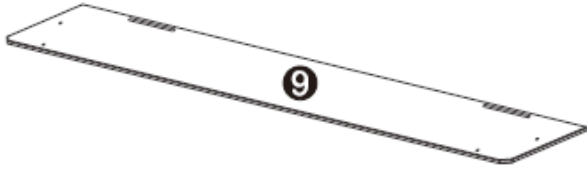
---

## *Tools required for installing:*



## *Parts Included:*

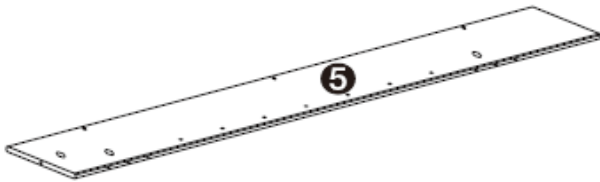




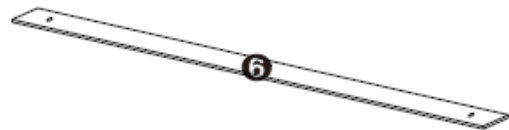
⑨x1 1120x190x12mm



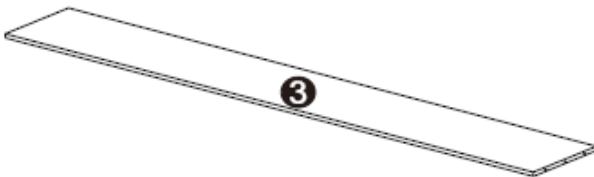
②x1 872x105x12mm



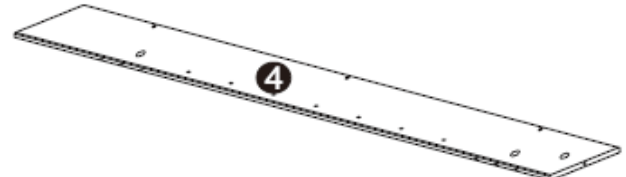
⑤x1 803x110x12mm



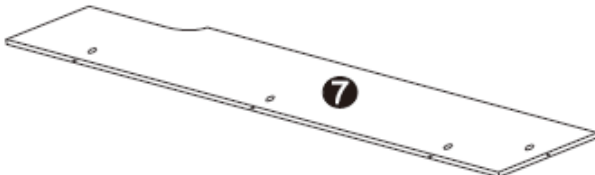
⑥x7 932x37x9mm



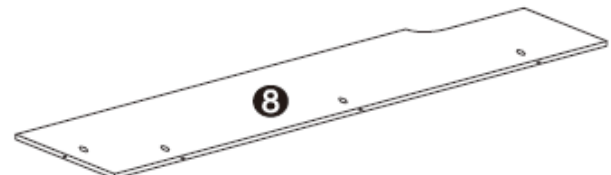
③x1 872x105x12mm



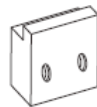
④x1 803x110x12mm



⑦x1 803x168x12mm



⑧x1 803x168x12mm



Ax2



Bx14



Cx14



Dx8



Ex14



Fx4



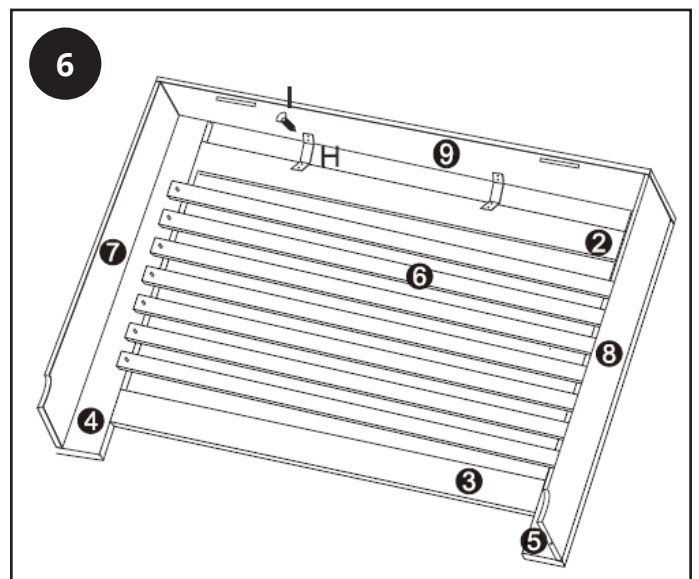
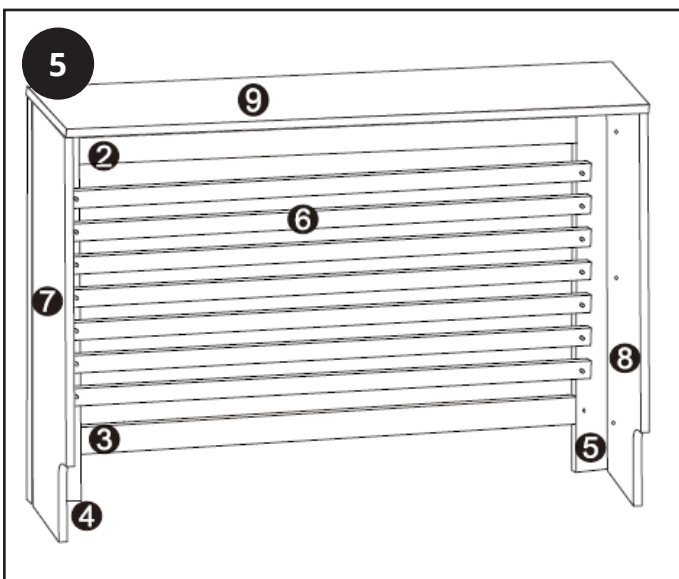
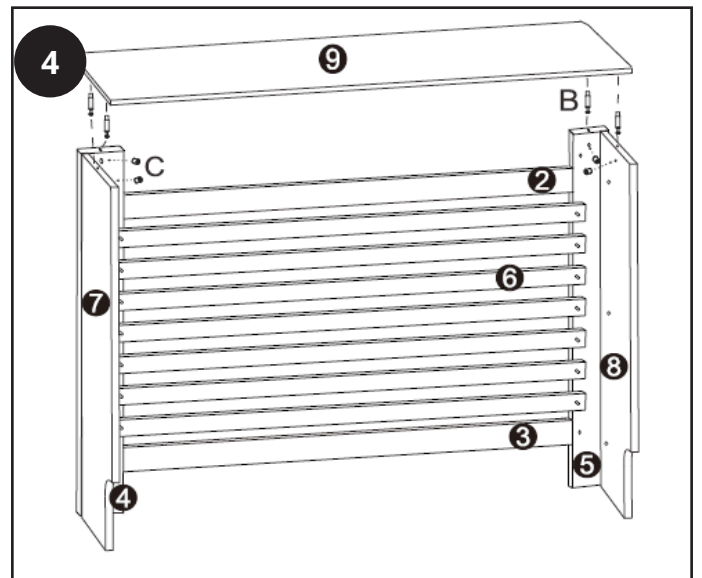
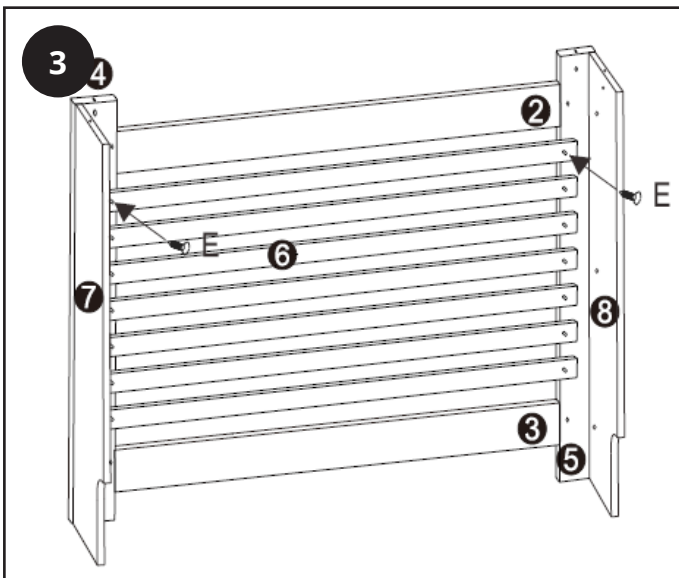
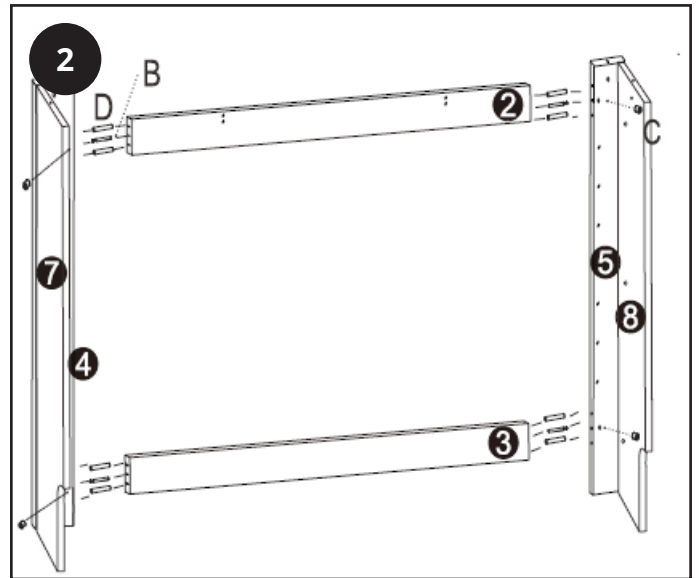
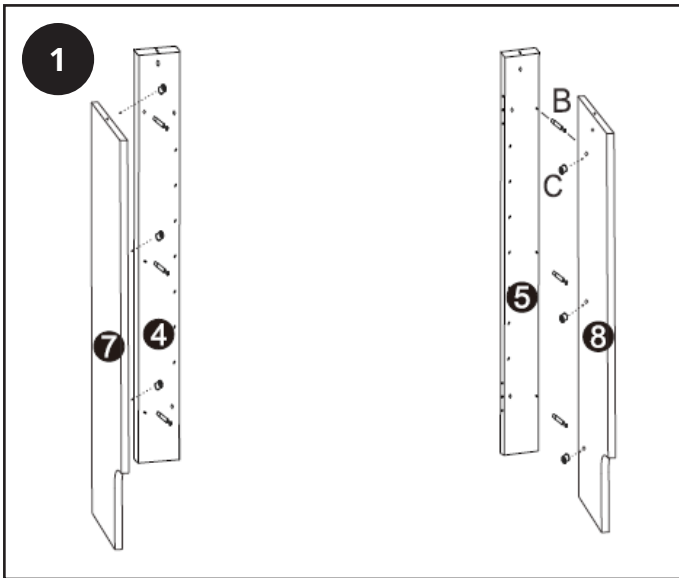
Gx4

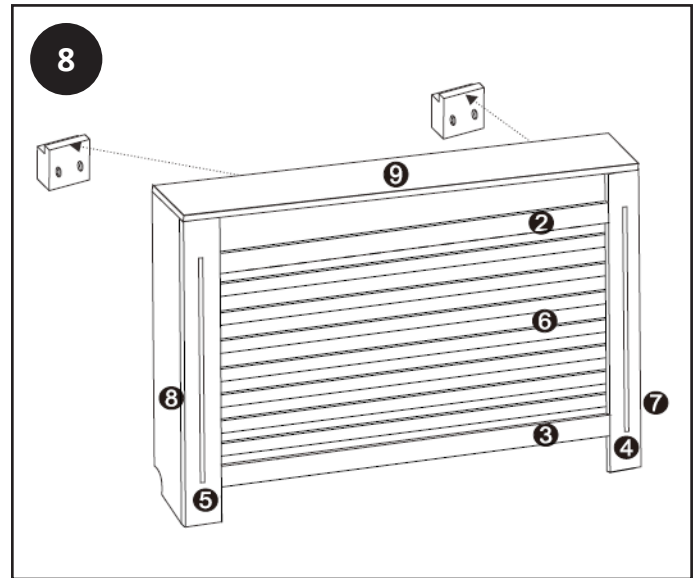
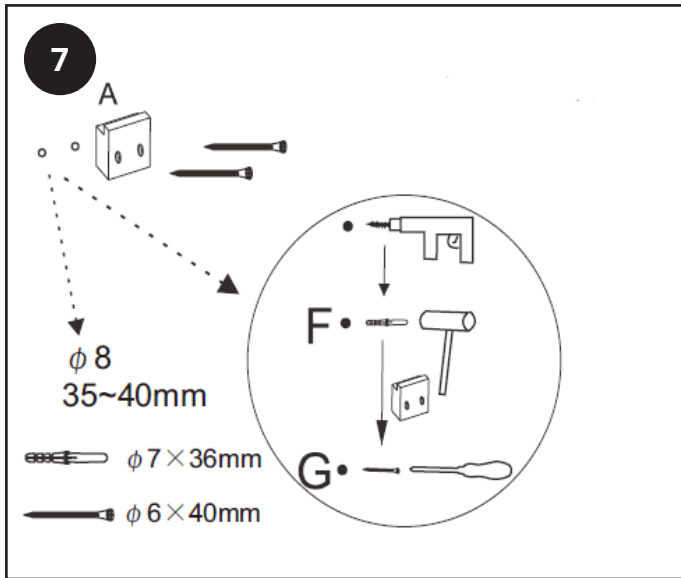


Hx2



Ix8





## Guarantee Information

---

- *To find the specific guarantee for your product please refer to the website.*
- *The guarantee starts from the date of purchase.*
- *The guarantee covers you against issues caused as a result of manufacturing related issues, it does not apply to issues that are found to be a result of poor installation.*
- *Labour costs for installation of the Product are not covered under this warranty.*

## Aftercare

---

Clean any marks with a soft dry cloth. DO NOT use abrasive or acidic cleaners, if you are unsure, please contact us first.

## Recycling & Disposal

---

Please recycle / dispose of this product in accordance with your local council / government guidelines.

## Contact Us

---

Milano

Unit 1&2

Dawson court

Burnley

BB11 5UB