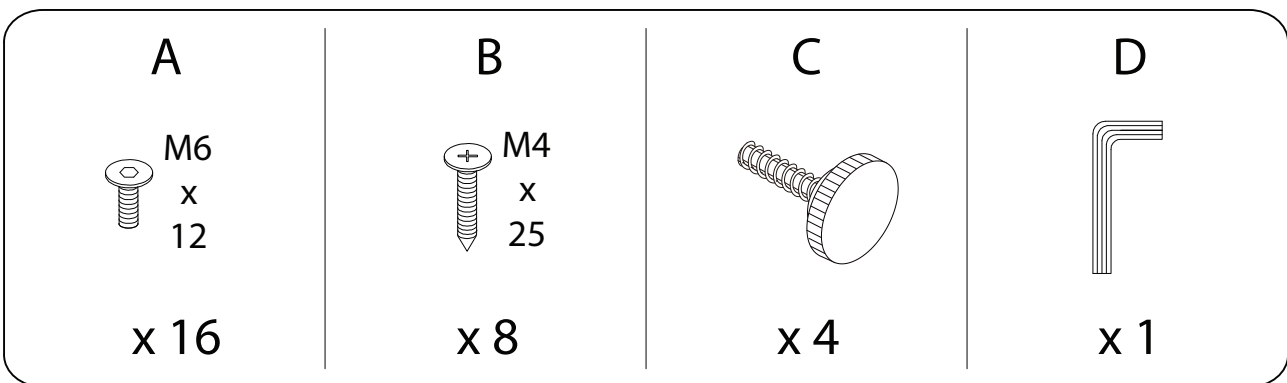
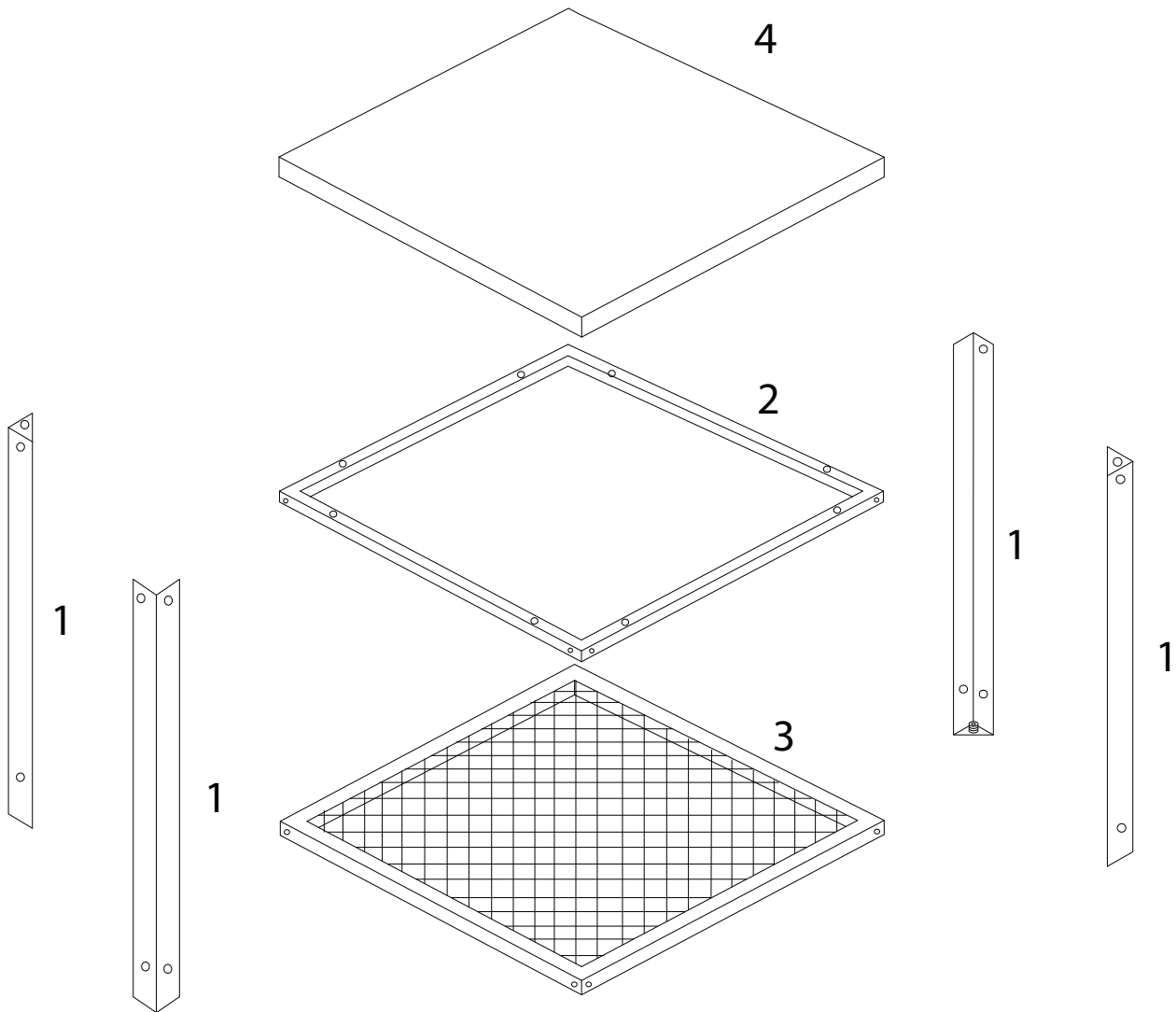
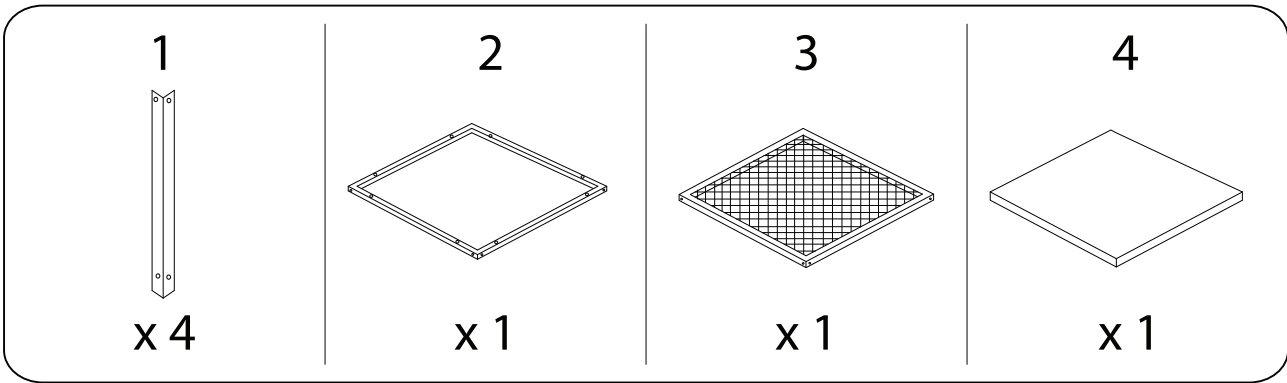


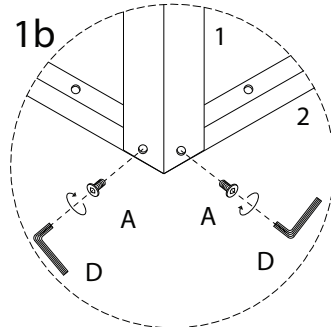
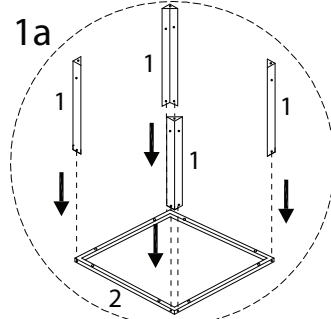
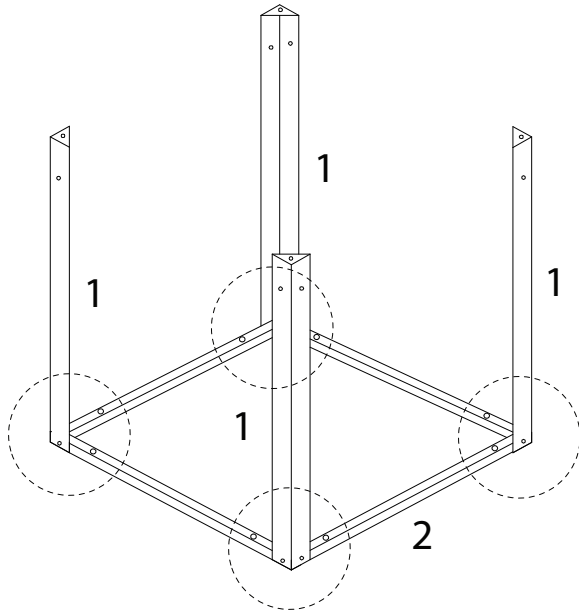
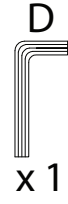
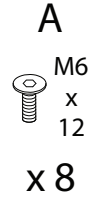
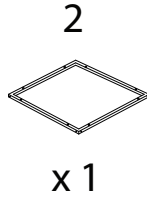
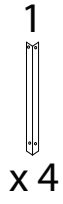
Assembly instructions for the table base:

- Top Section:** A box containing icons for a screwdriver, an Allen key, and a power drill with a slash through it, indicating that a power drill should not be used. To the right is a warning triangle with an exclamation mark and a clock icon with the text "20'", indicating a 20-minute assembly time.
- Bottom Section:** A box containing icons for a rectangular block being placed on a surface and a block being cut with a slash through it, indicating that the blocks should not be cut. To the right is a warning triangle with an exclamation mark and a person icon with the number "1", indicating that one person is required for assembly.

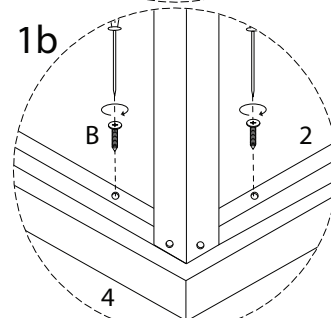
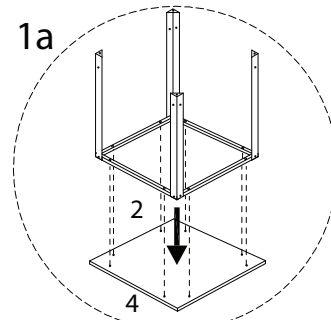
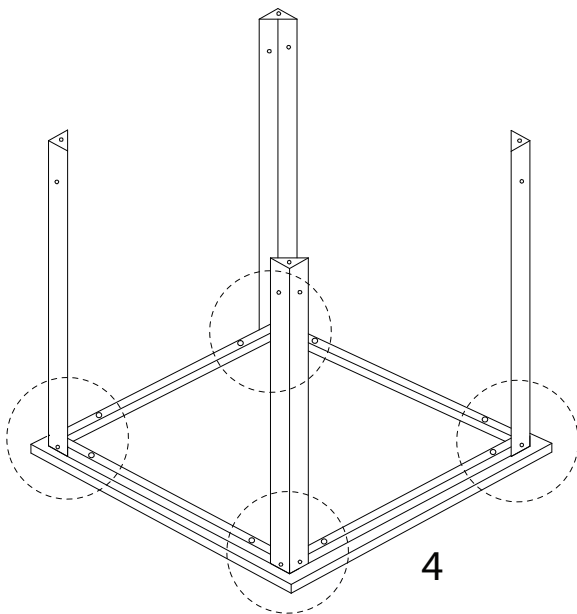
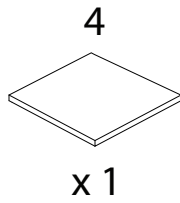
1/4



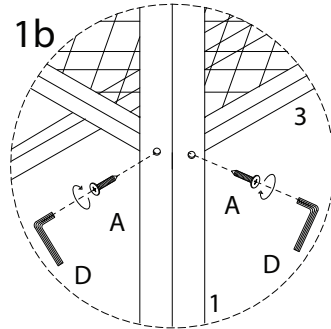
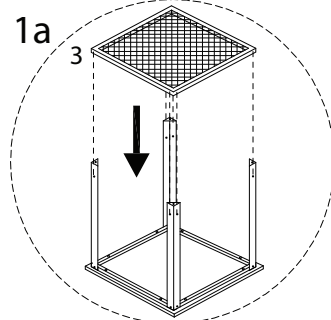
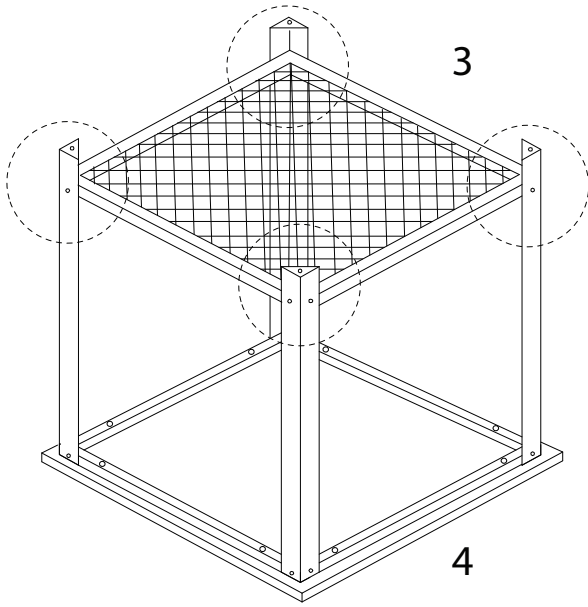
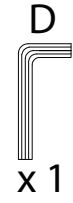
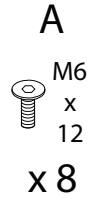
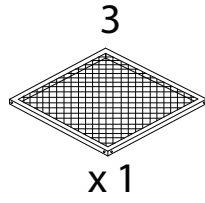
1



2



3



4

