
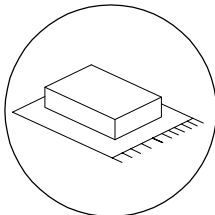
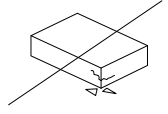
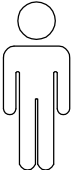


30'



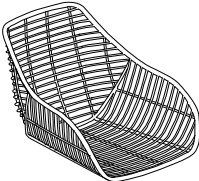


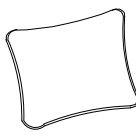


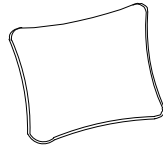




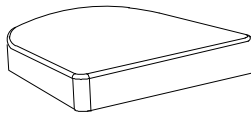
1

A

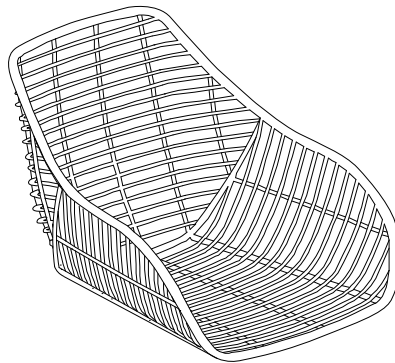
<p>A</p>  <p>x 1</p>	<p>B</p>  <p>x 2</p>	<p>C</p>  <p>x 2</p>	<p>D</p>  <p>x 1</p>
---	---	---	---



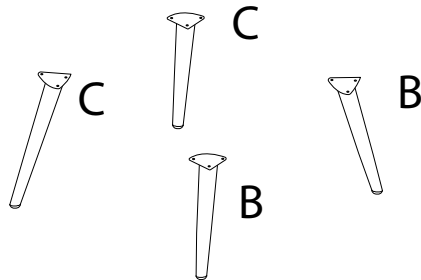
D

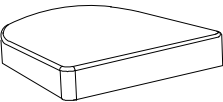
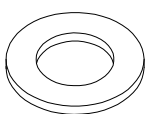
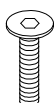



E

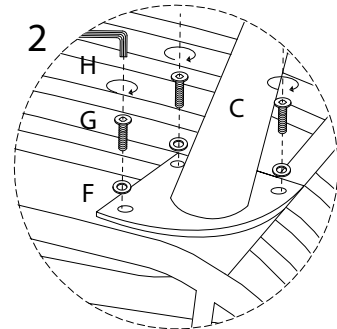
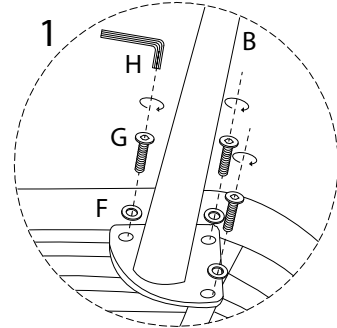
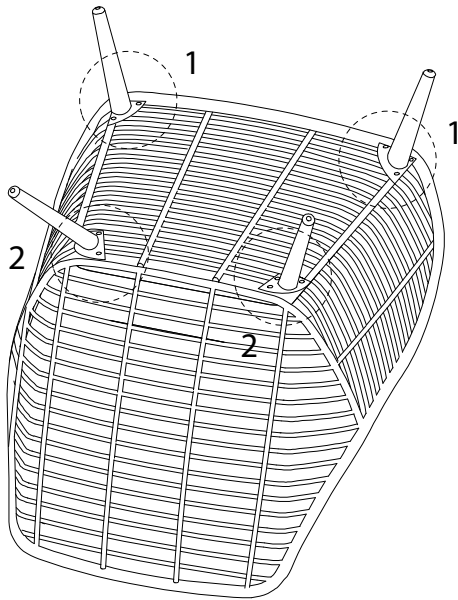
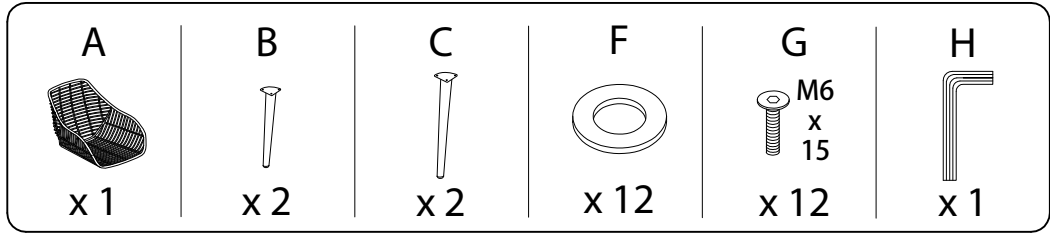


A

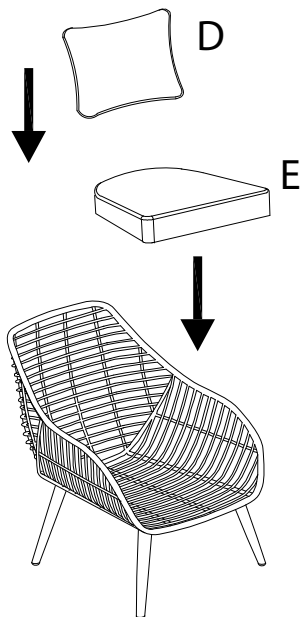
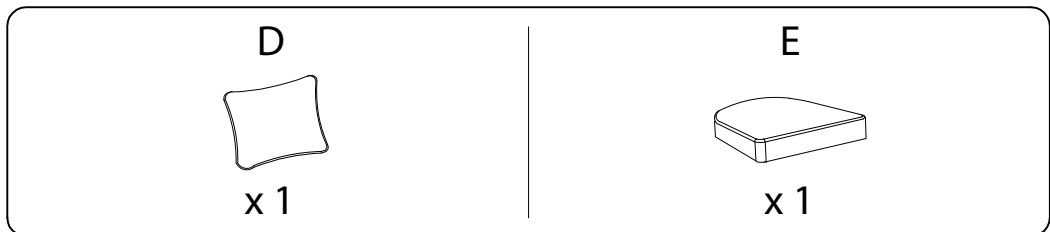


<p>E</p>  <p>x 1</p>	<p>F</p>  <p>x 12</p>	<p>G</p>  <p>M6 x 15</p> <p>x 12</p>	<p>H</p>  <p>x 1</p>
---	--	---	---

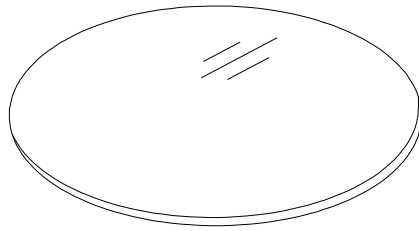
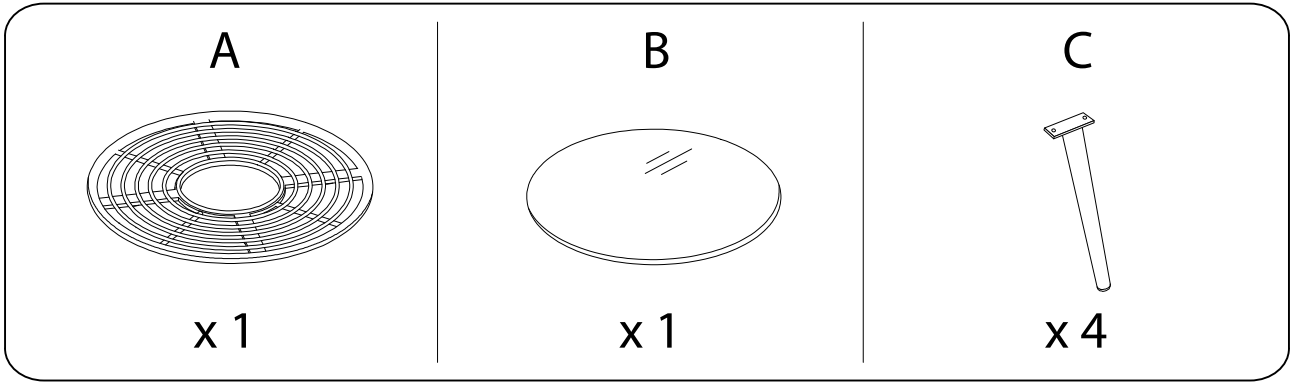
1



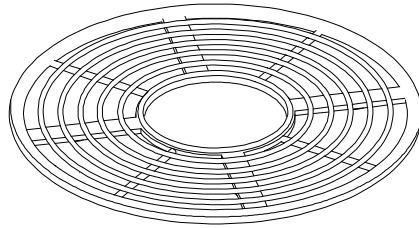
2



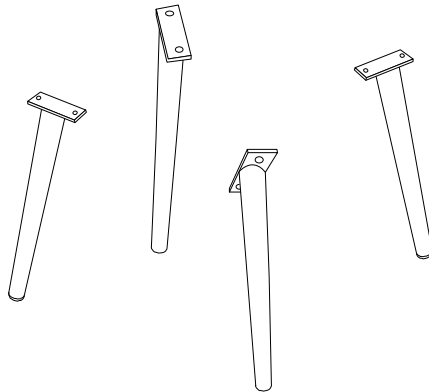
B



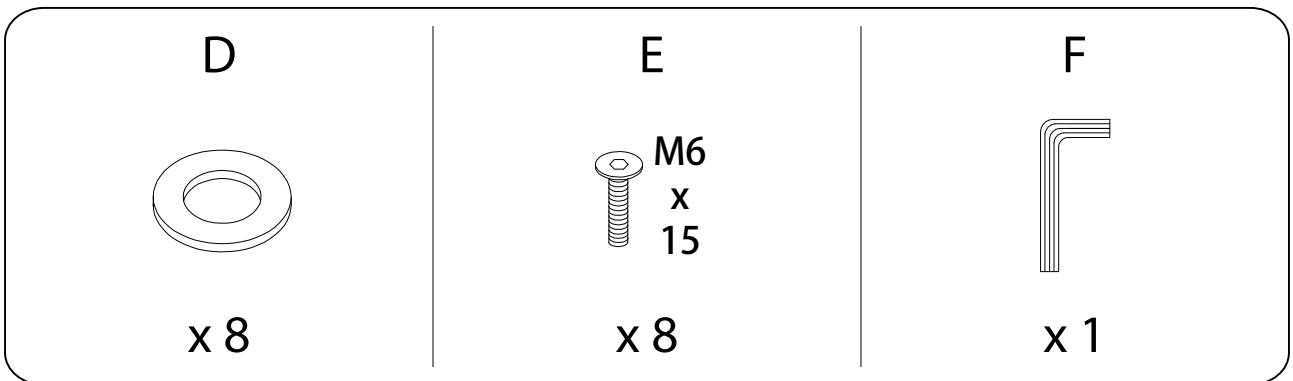
B



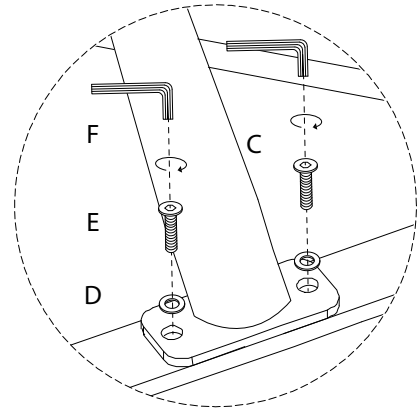
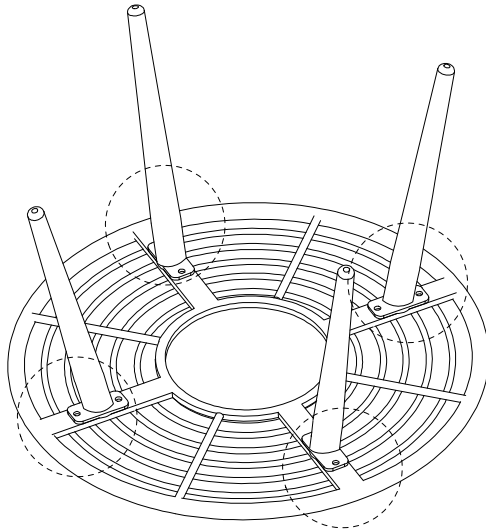
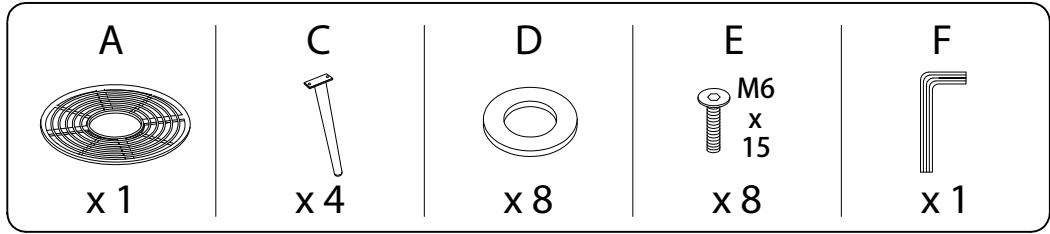
A



C x 4



1



2

