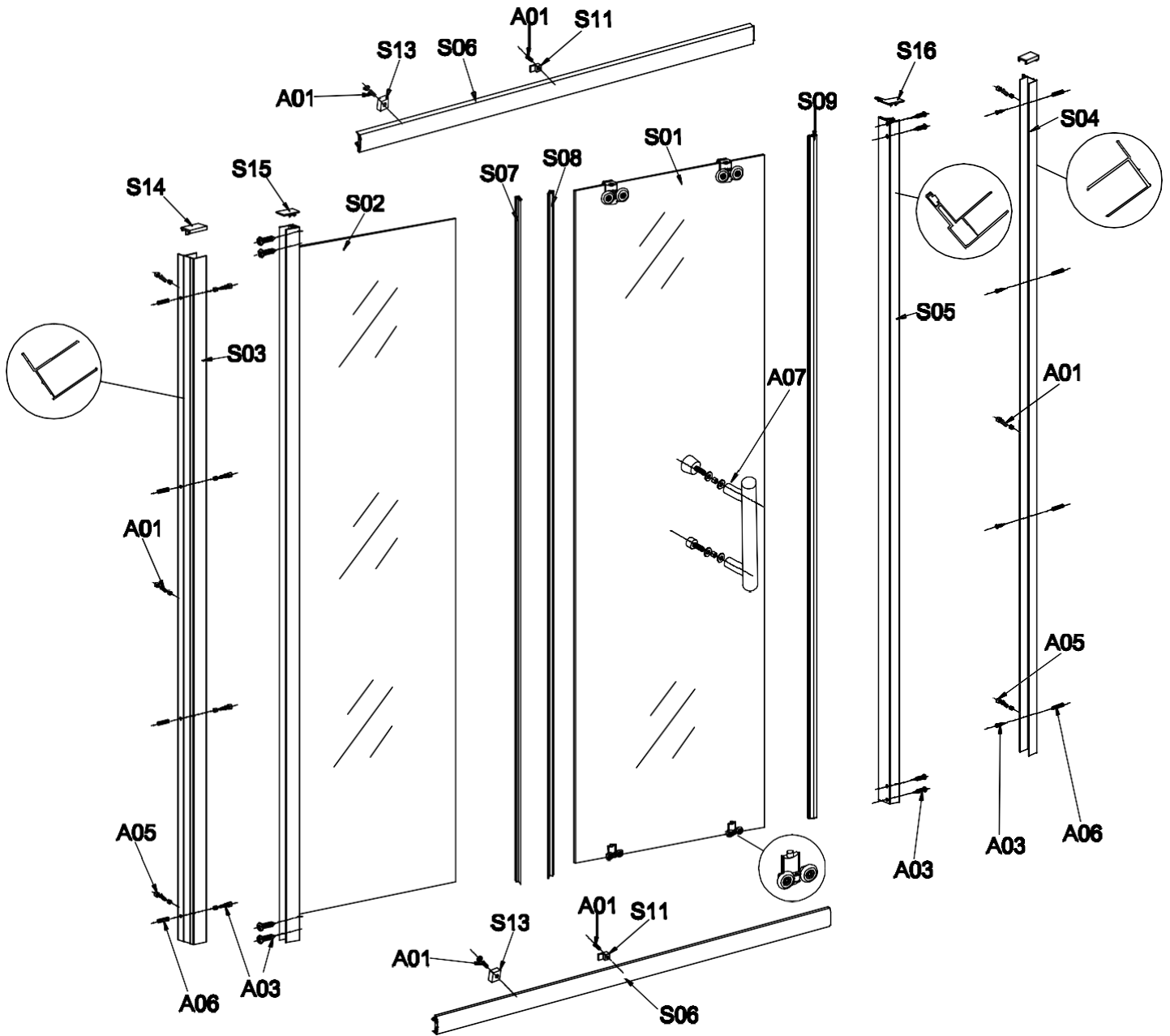
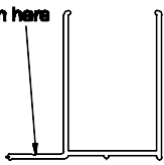
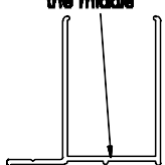
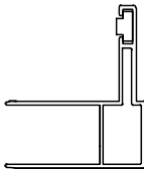




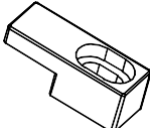

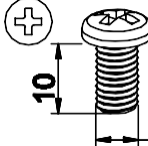
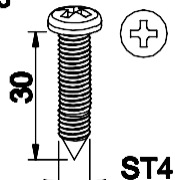

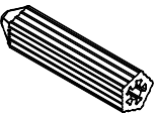
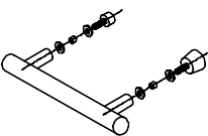
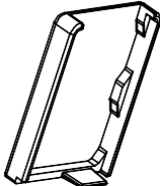
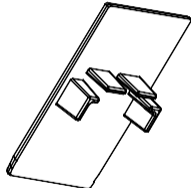
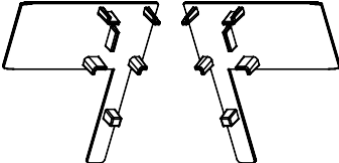
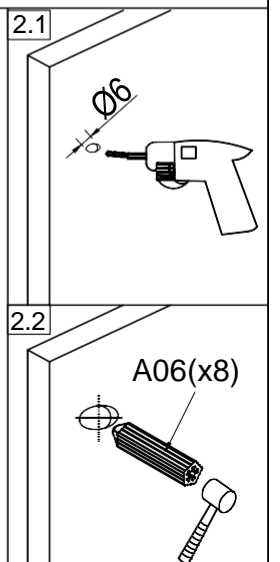
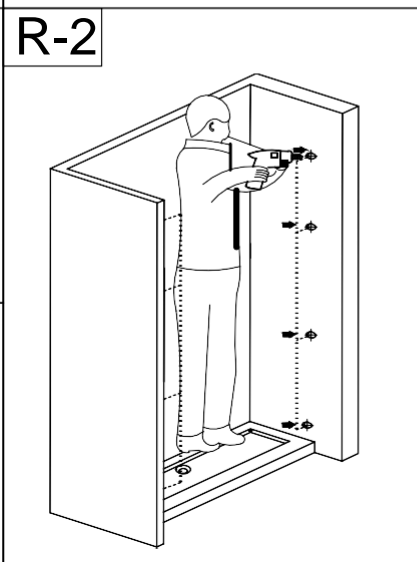
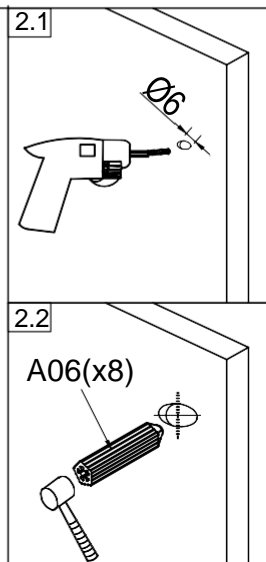
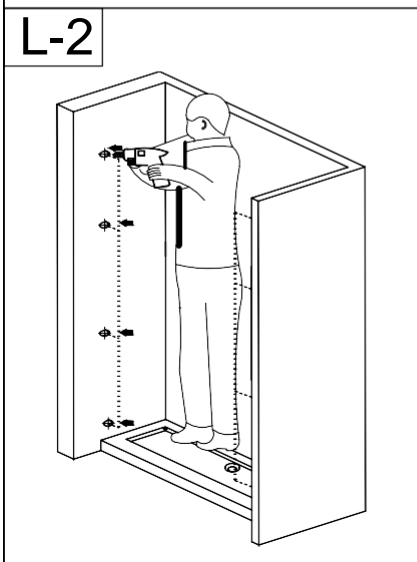
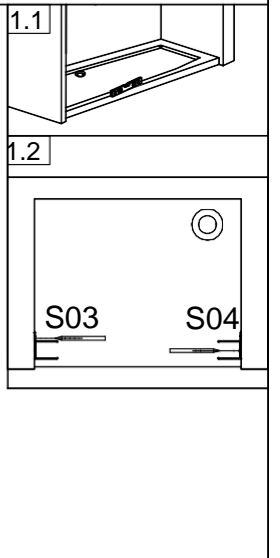
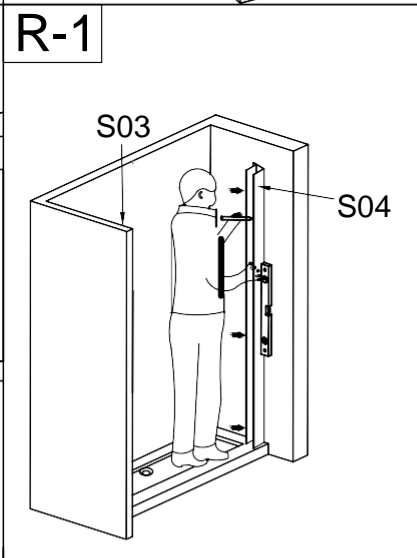
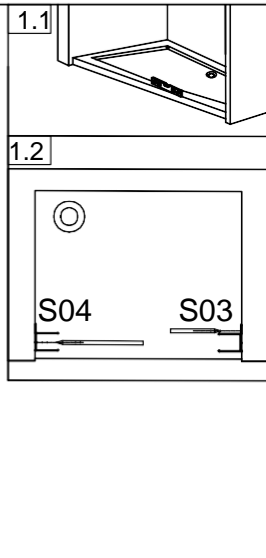
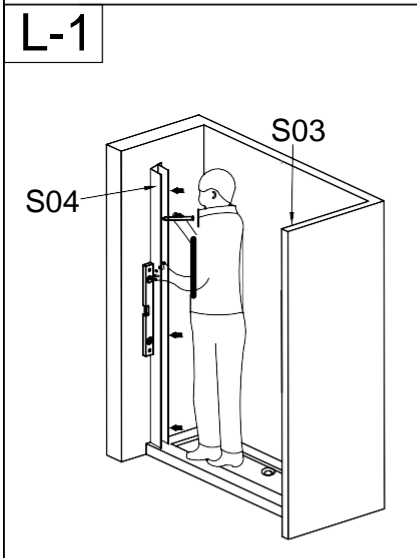
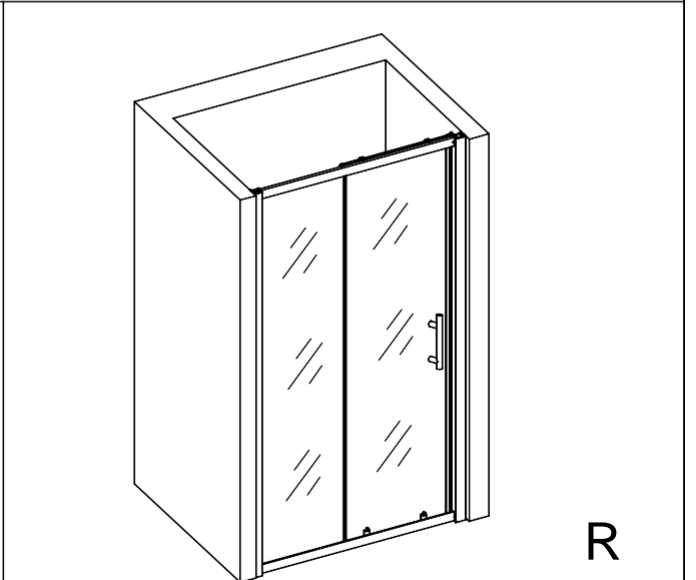
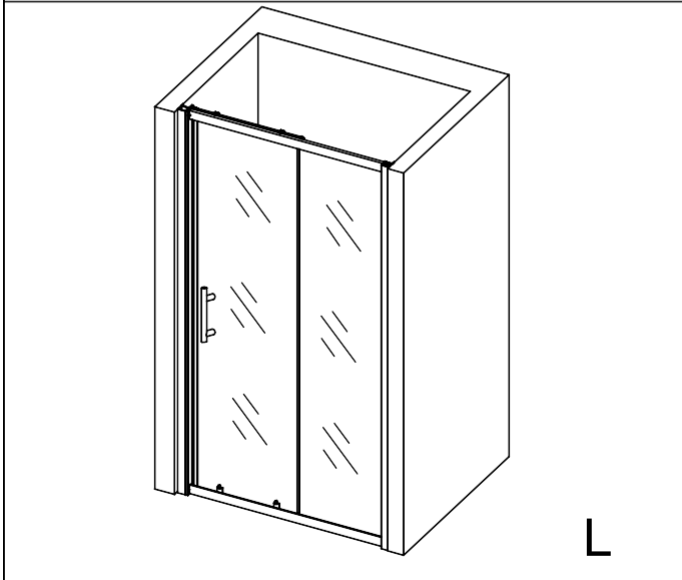
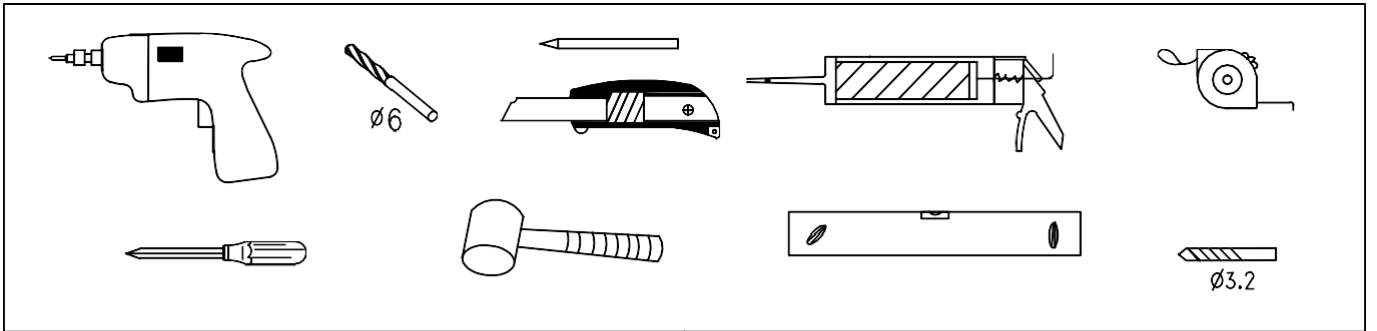


# FSL Series

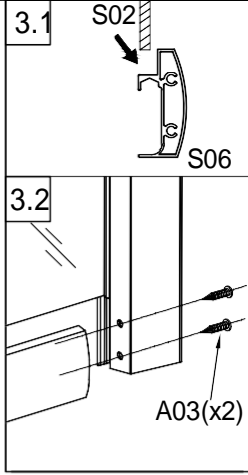
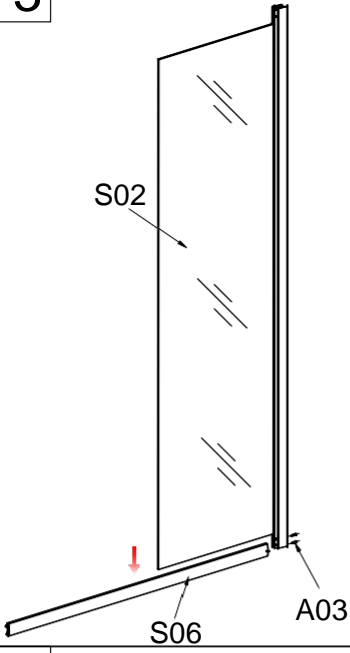
Edit:16.03



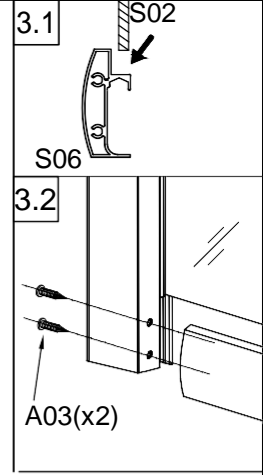
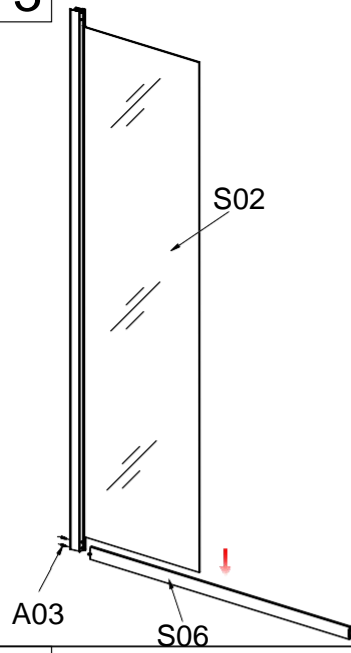
<b>S03</b> The holes on here  x1	<b>S04</b> The holes in the middle  x1	<b>S05</b>  x1	<b>S06</b>  x2	<b>S07</b> L=1766  x1	<b>S08</b> L=1833  x1
<b>S09</b>  x1	<b>S11</b>  x2	<b>S13</b>  x2	<b>A01</b>  x10	<b>A03</b>  x16	<b>A05</b>  x10
<b>A06</b>  x8	<b>A07</b>  x1	<b>S14</b>  x2	<b>S15</b>  x1	<b>S16</b>  x2	



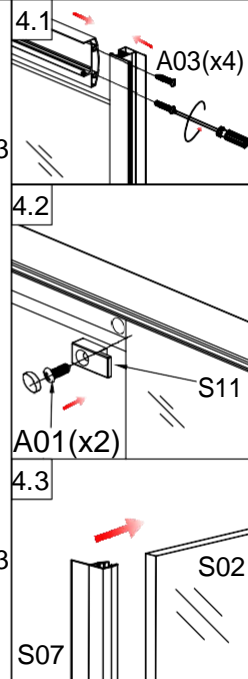
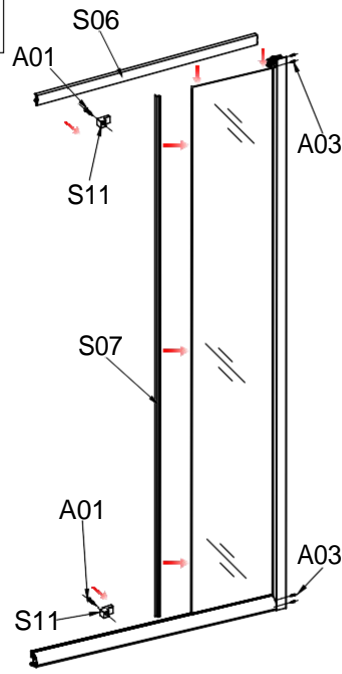
L-3



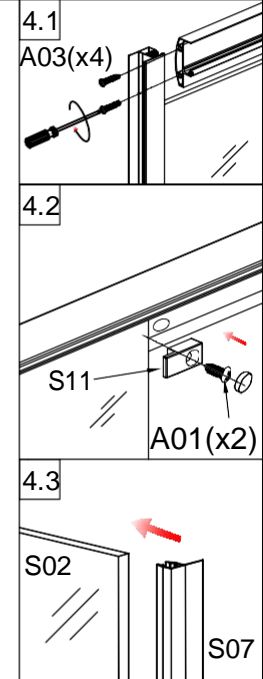
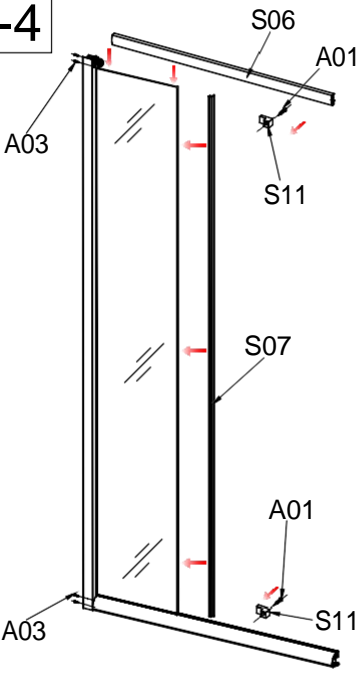
R-3



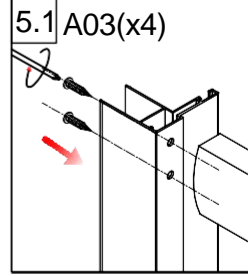
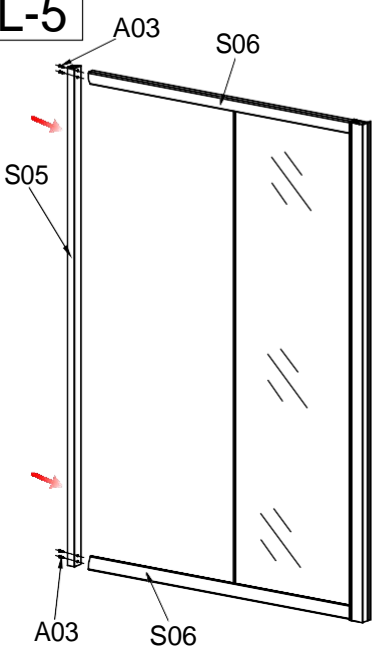
L-4



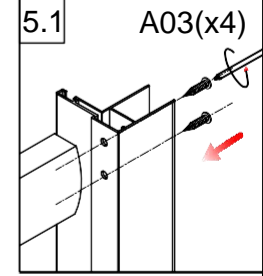
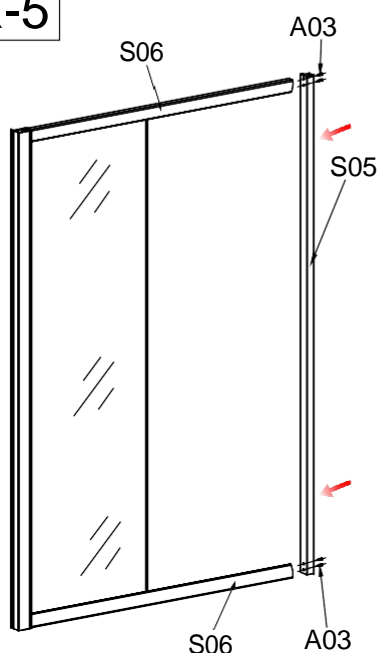
R-4



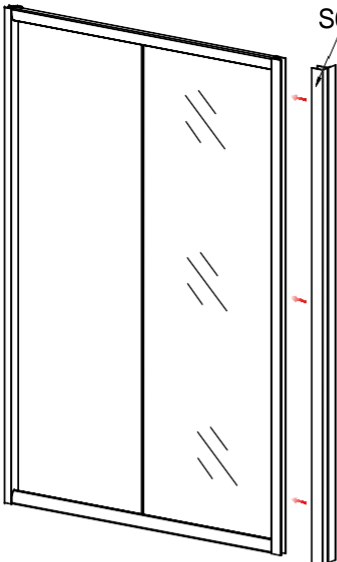
L-5



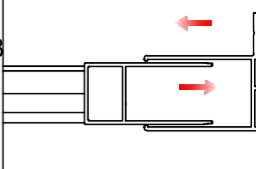
R-5



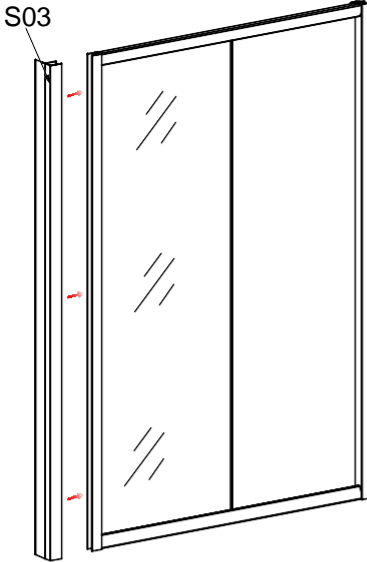
L-6



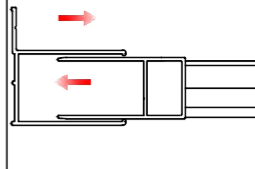
6.1



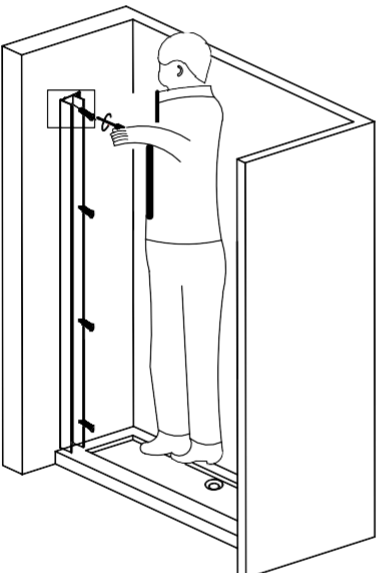
R-6



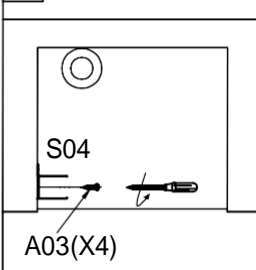
6.1



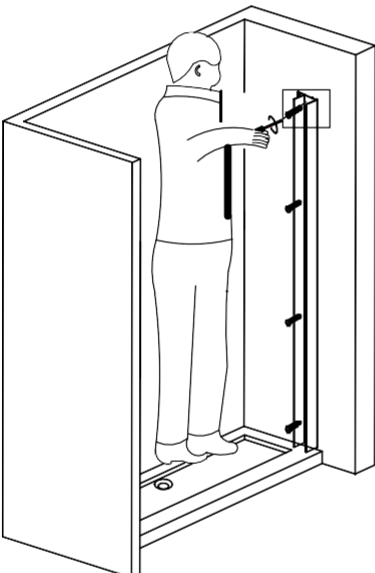
L-7



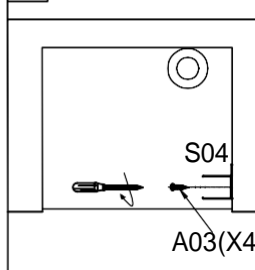
7.1



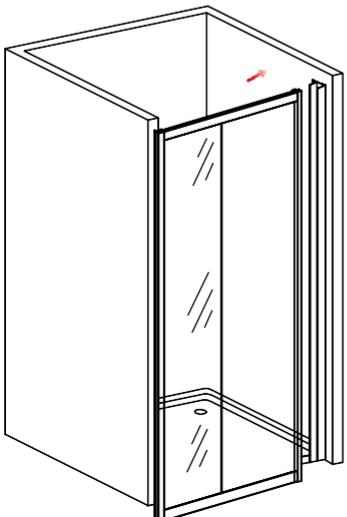
R-7



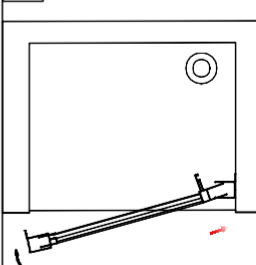
7.1



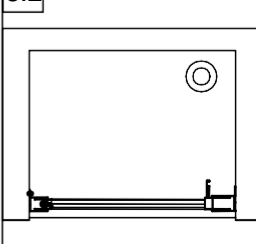
L-8



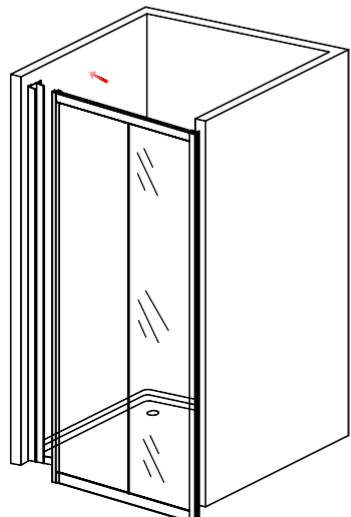
8.1



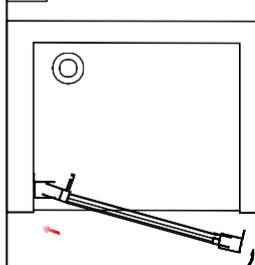
8.2



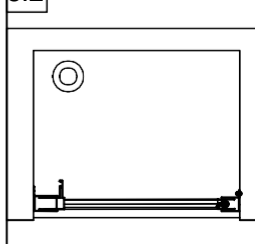
R-8

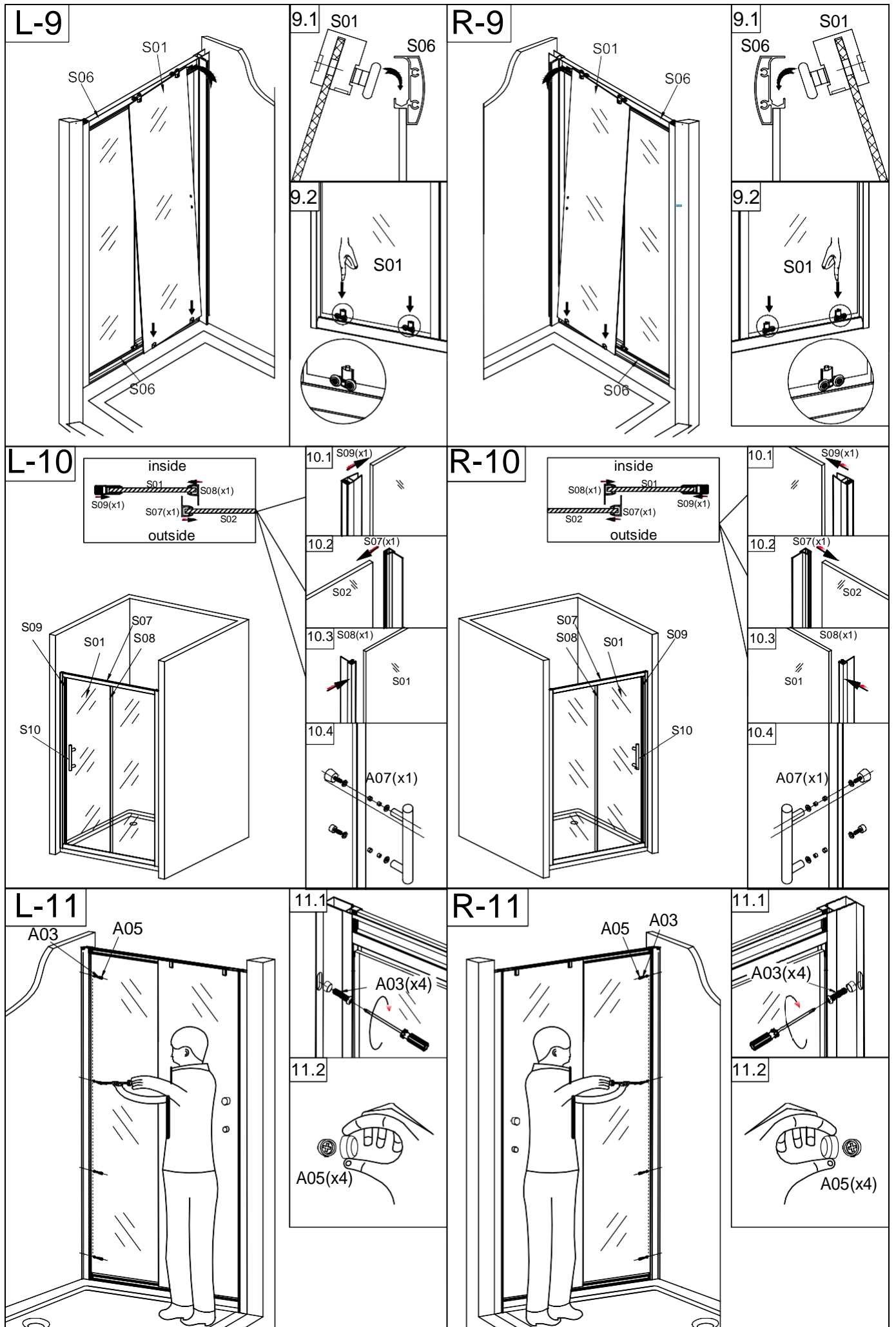


8.1

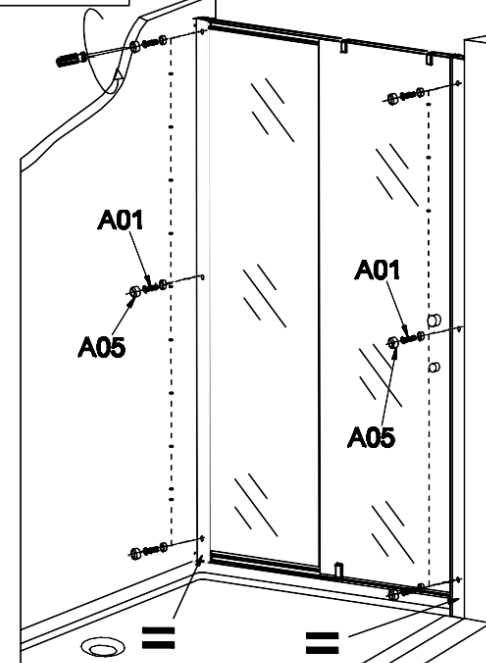


8.2

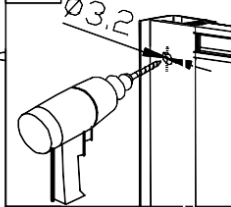




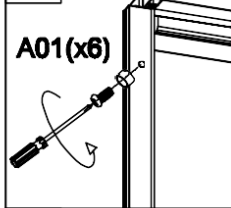
### L-12



#### 12.1



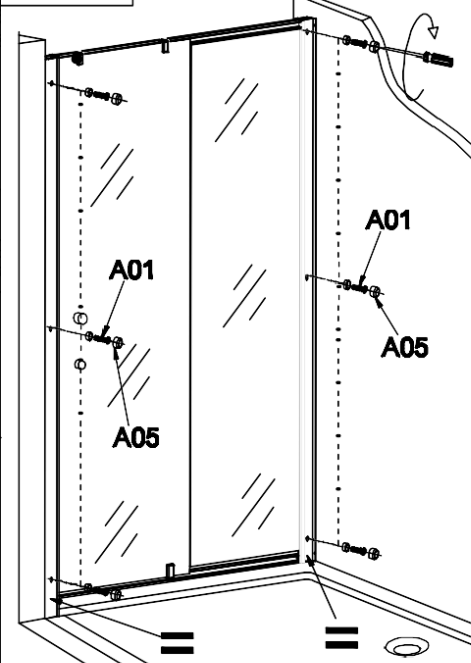
#### 12.2



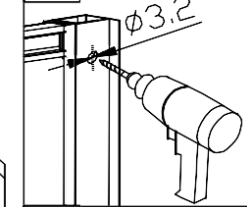
#### 12.3



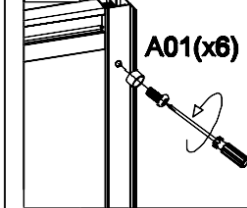
### R-12



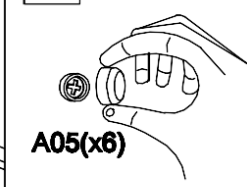
#### 12.1



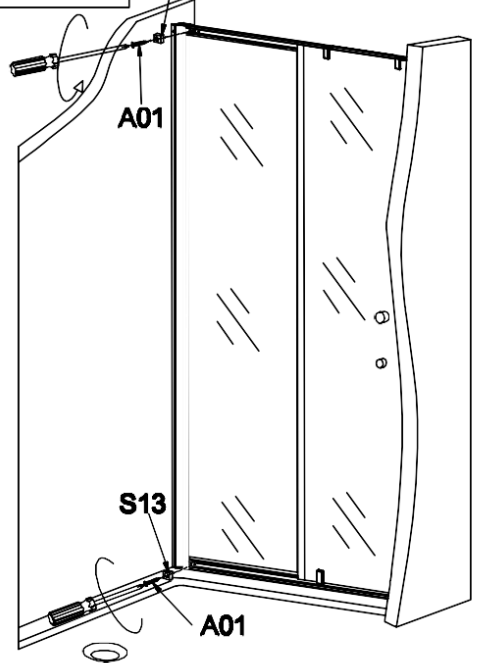
#### 12.2



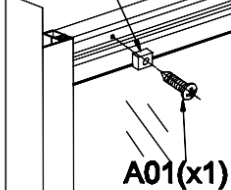
#### 12.3



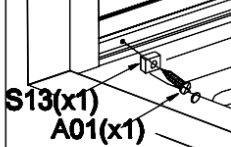
### L-13



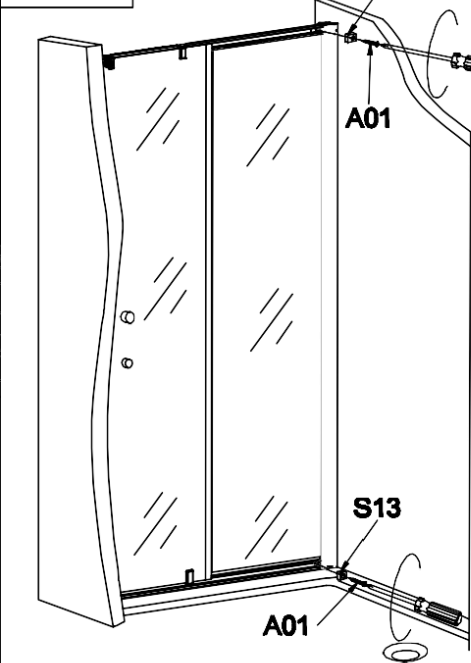
#### 13.1



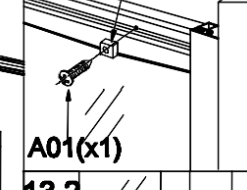
#### 13.2



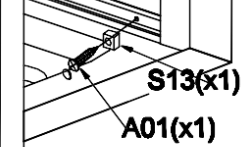
### R-13



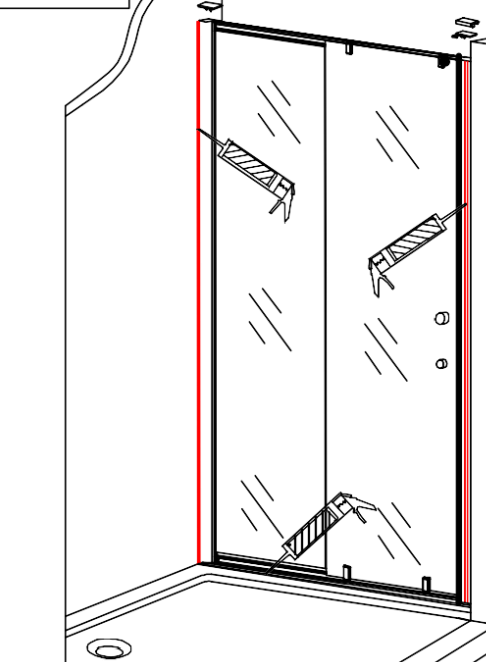
#### 13.1



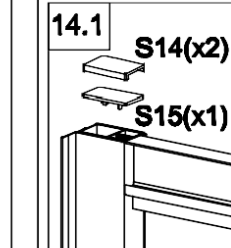
#### 13.2



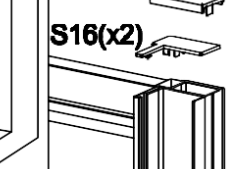
### L-14



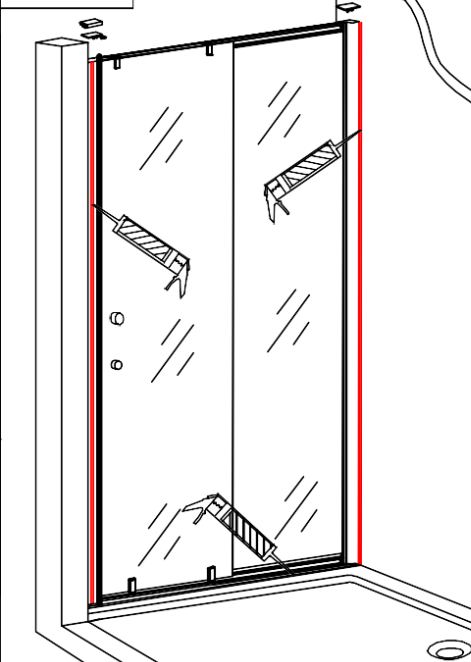
#### 14.1



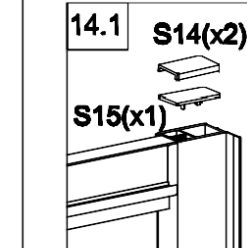
#### 14.2



### R-14



#### 14.1



#### 14.2

