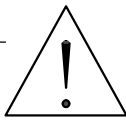
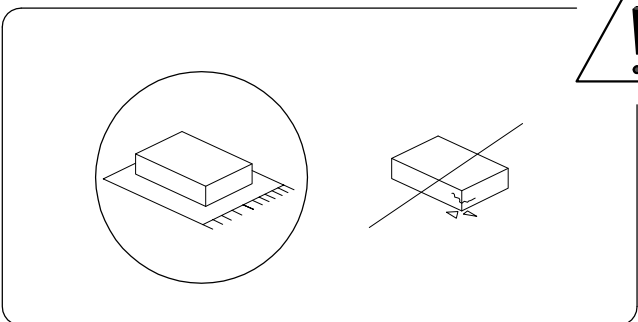
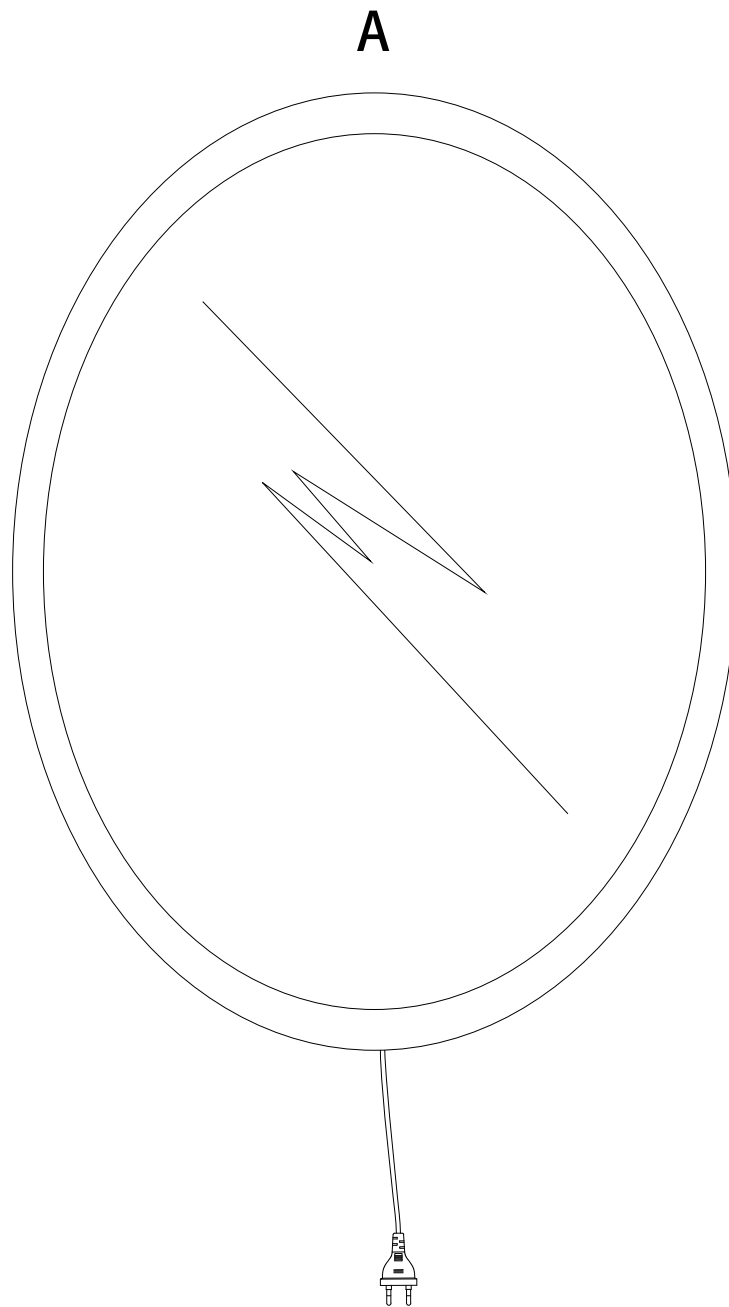
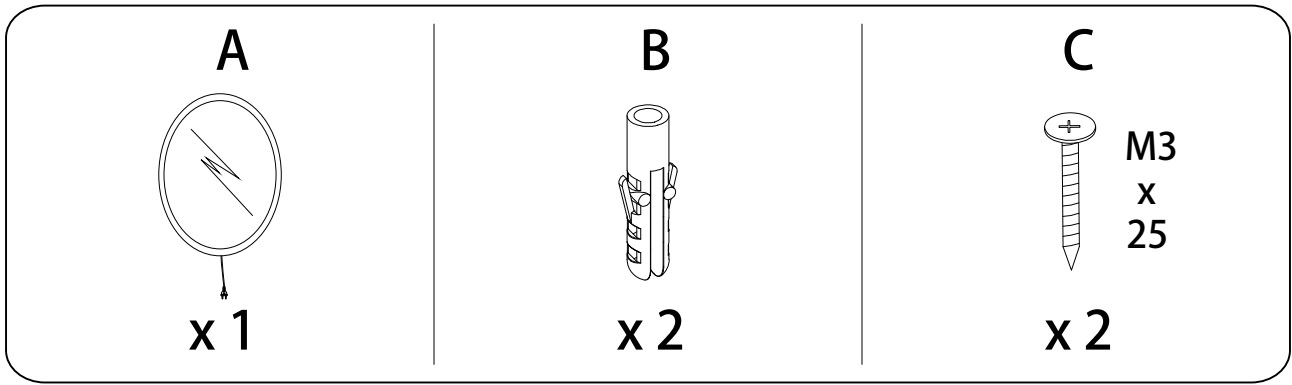


**10'**



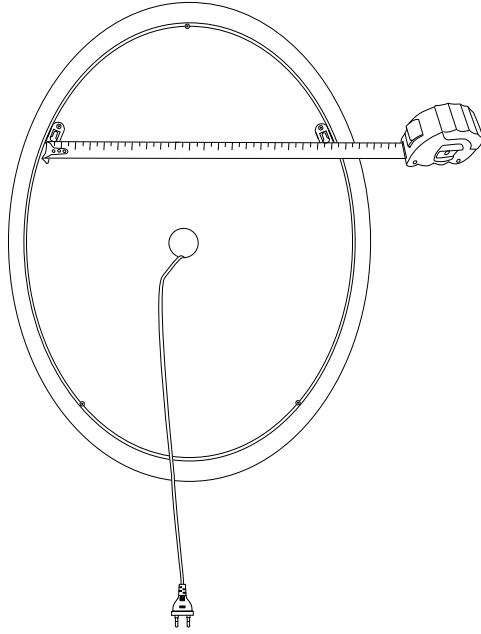
**1**

**1/5**

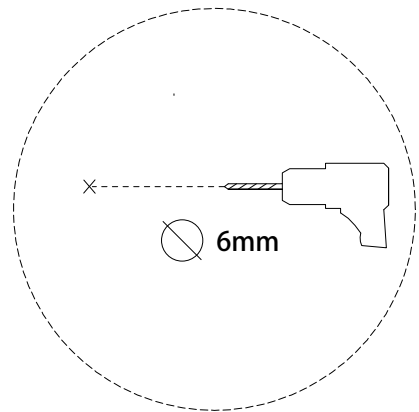
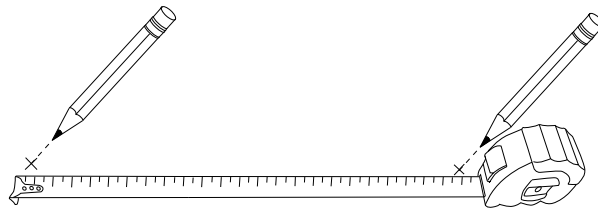


1


A  
x1




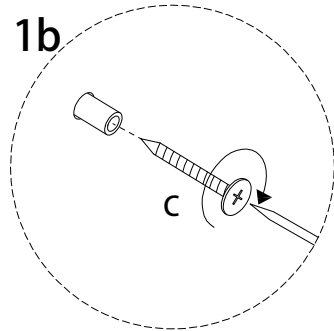
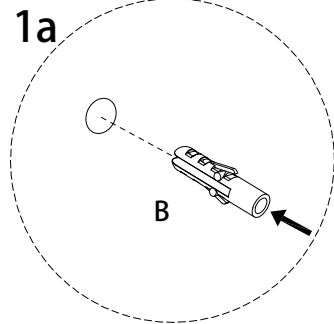
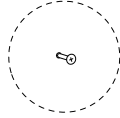
2



3

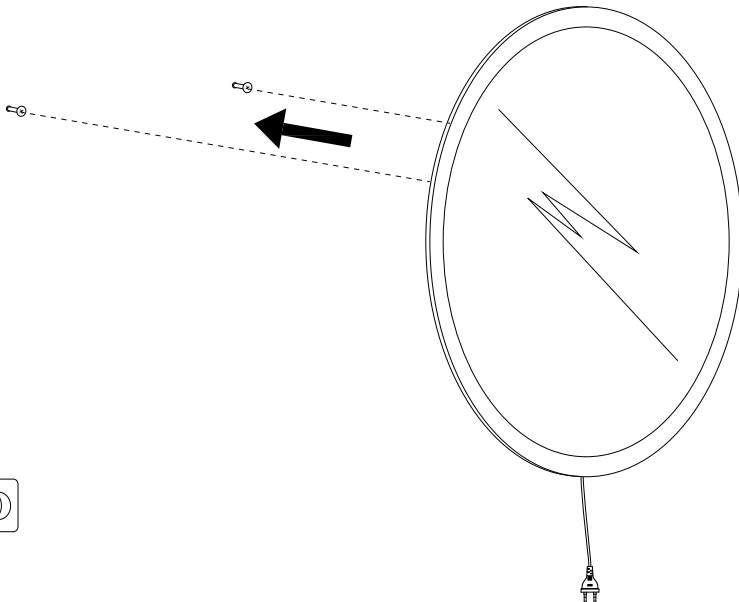
**B**  
  
x 2

**C**  
  
M3  
x 25  
x 2

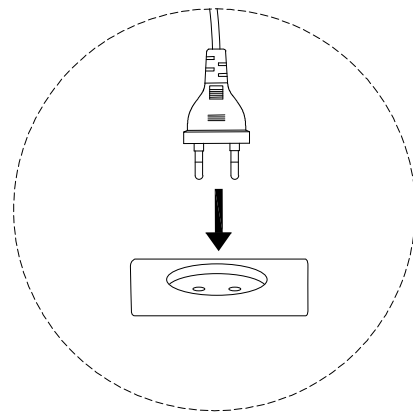
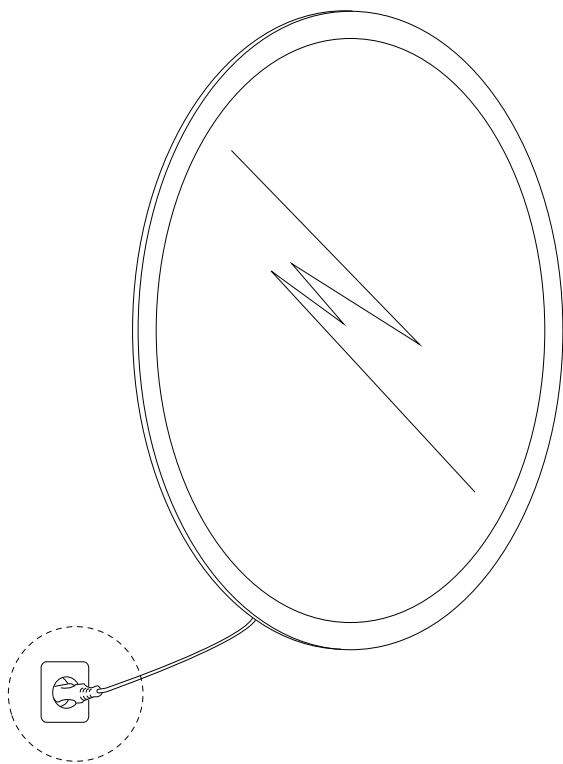


4

**A**  
  
x 1



5



!

