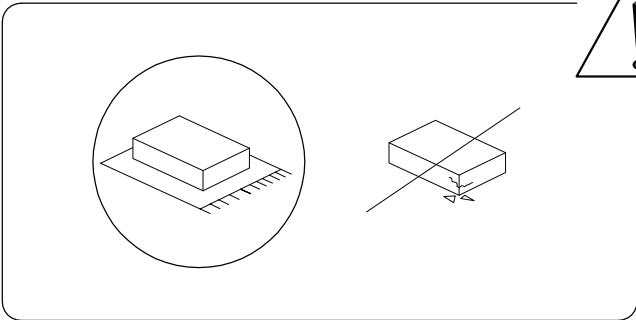
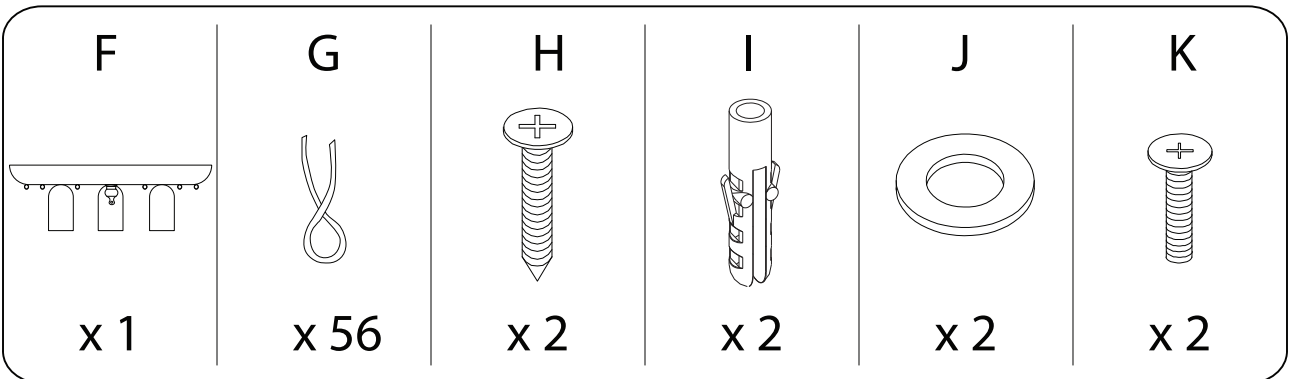
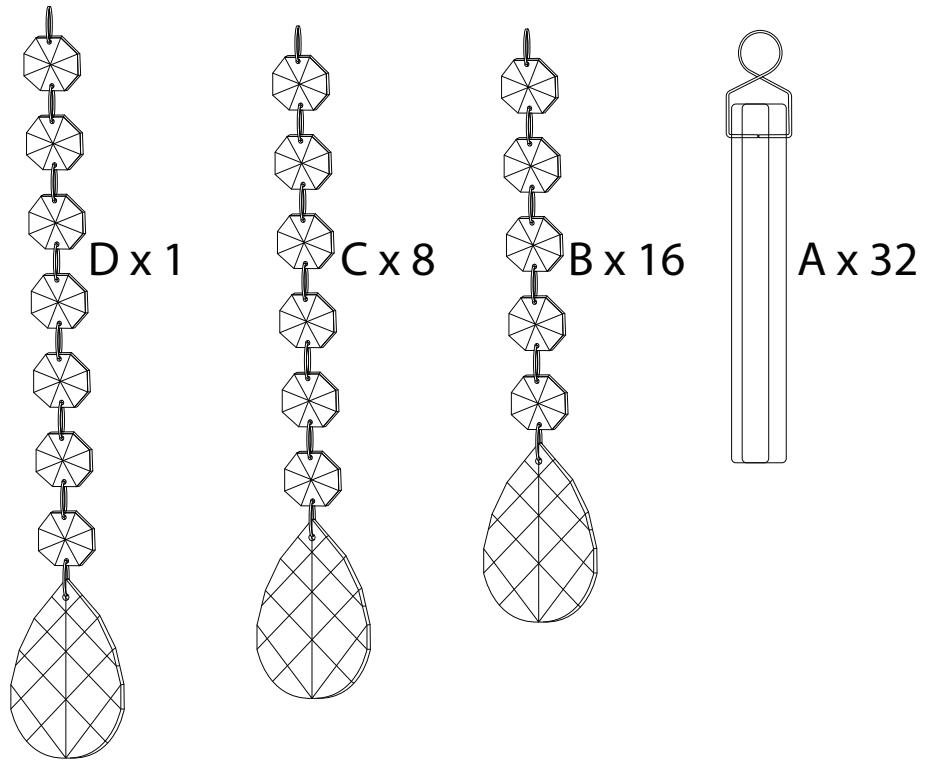
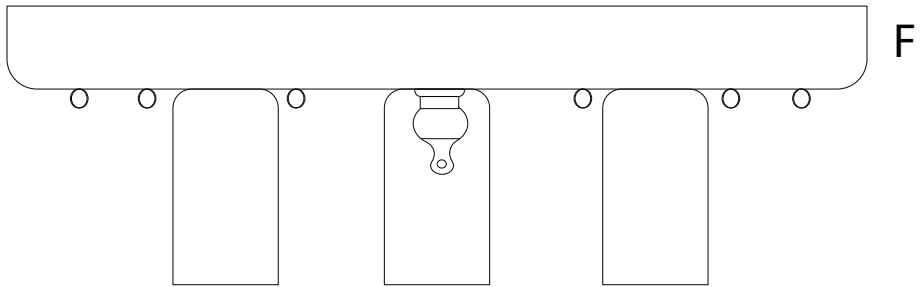
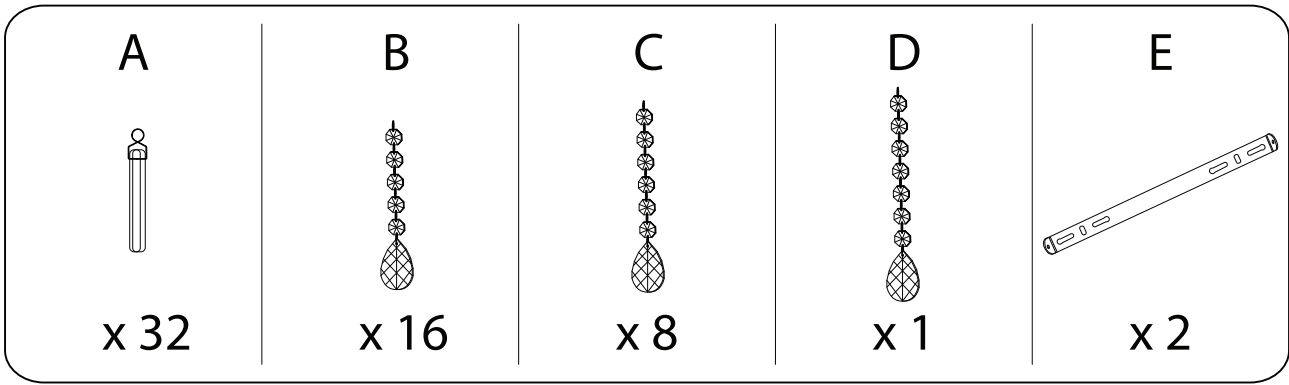


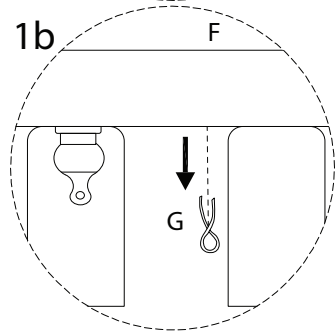
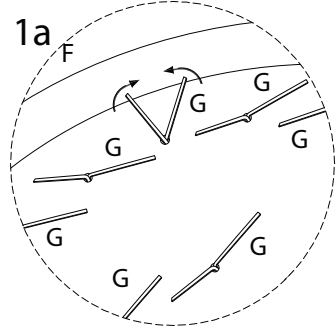
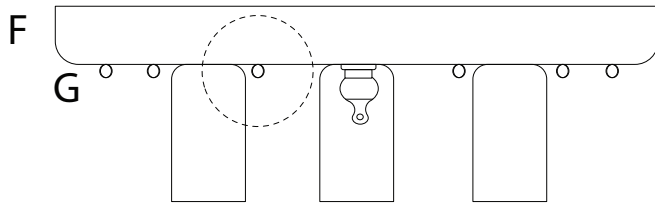
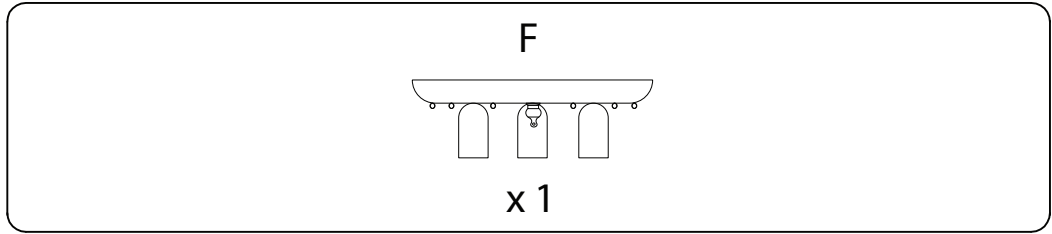
30'



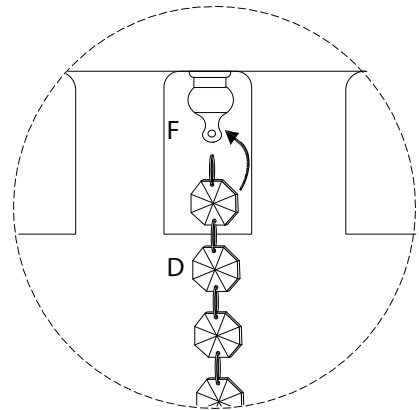
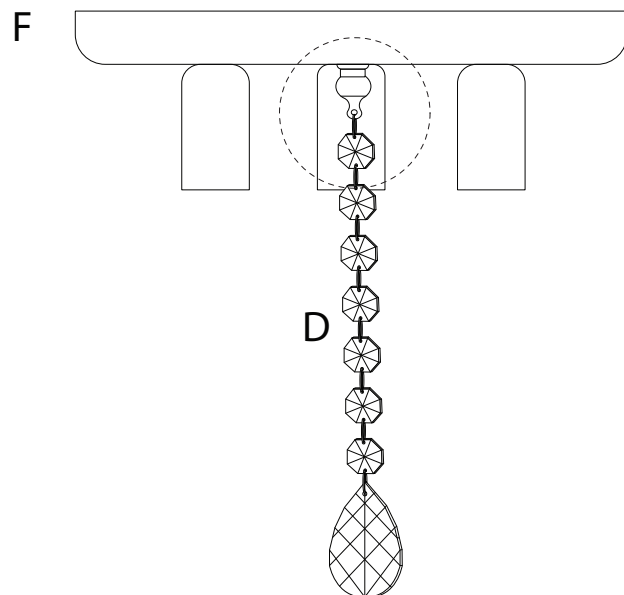
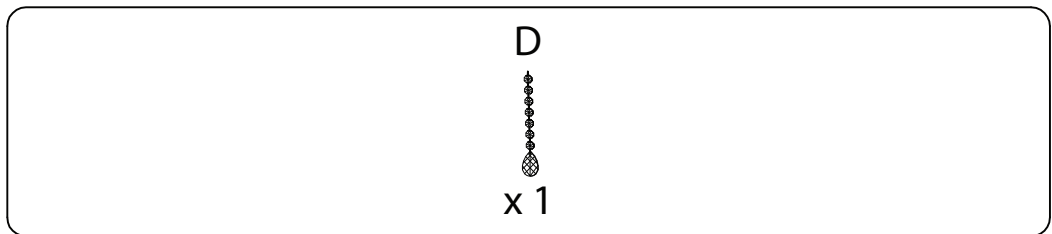
1



1



2



3

G

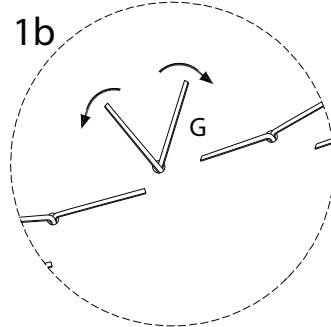
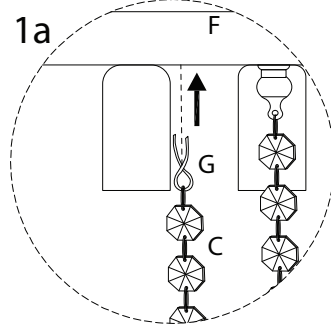
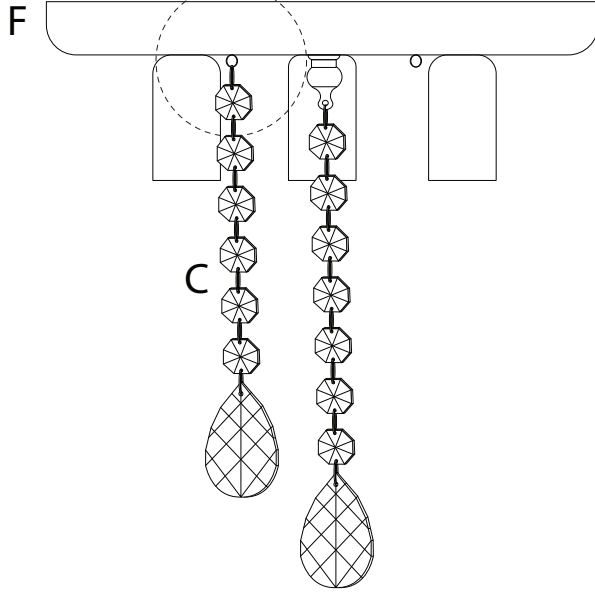


x 8

C



x 8



4

G

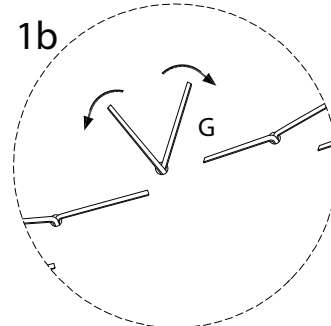
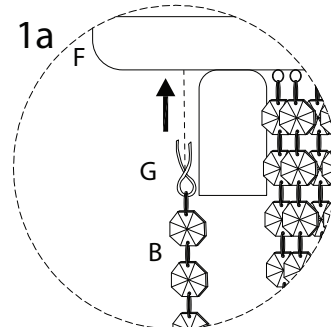
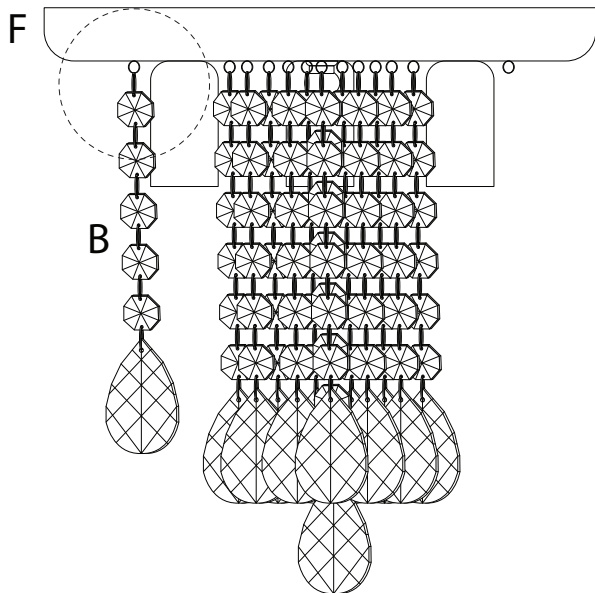


x 16

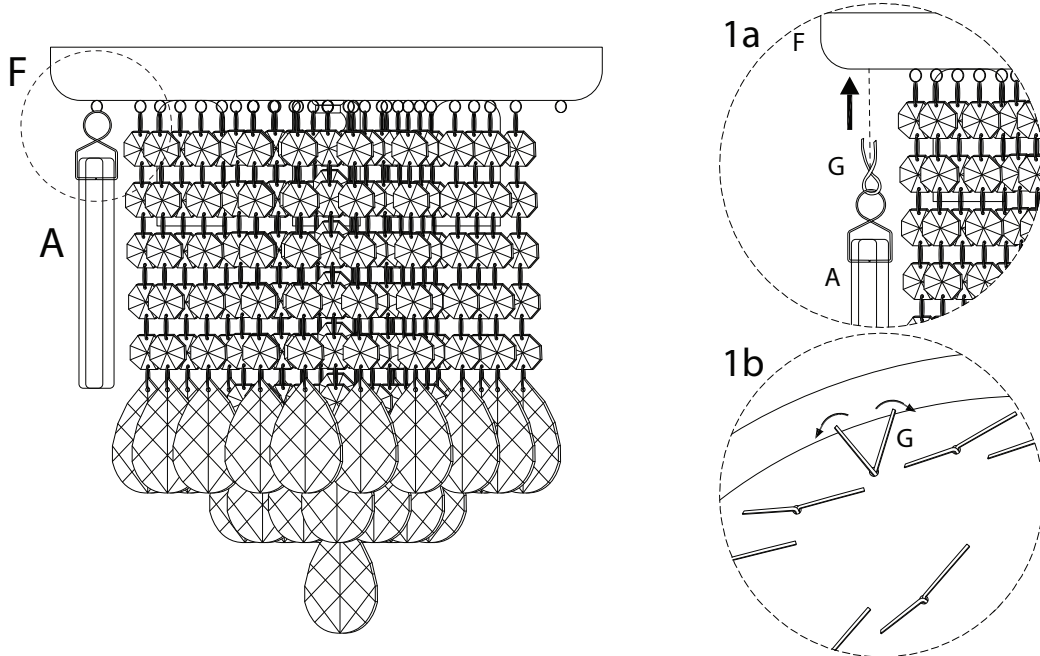
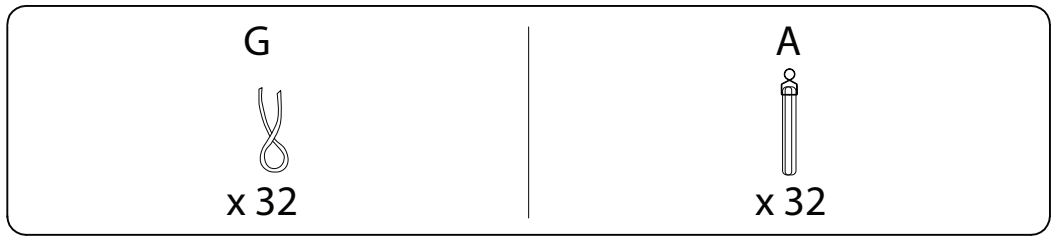
B



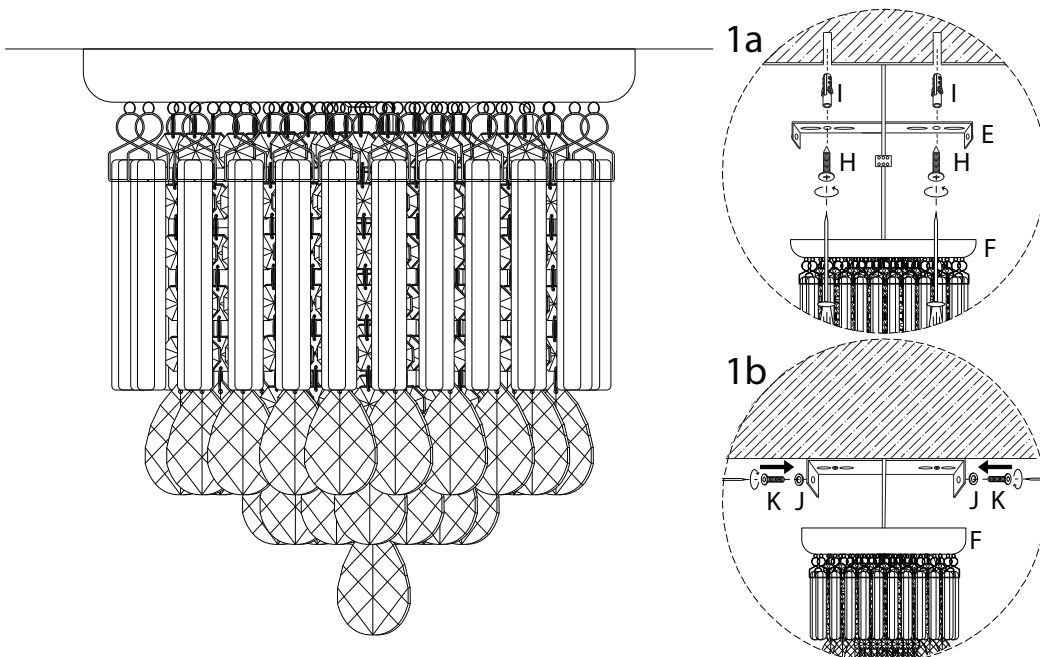
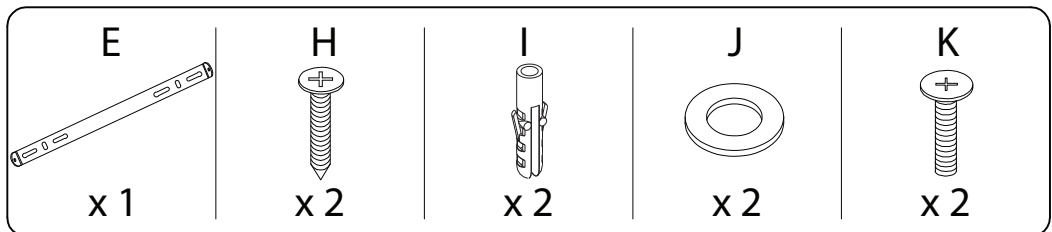
x 16



5



6



7

