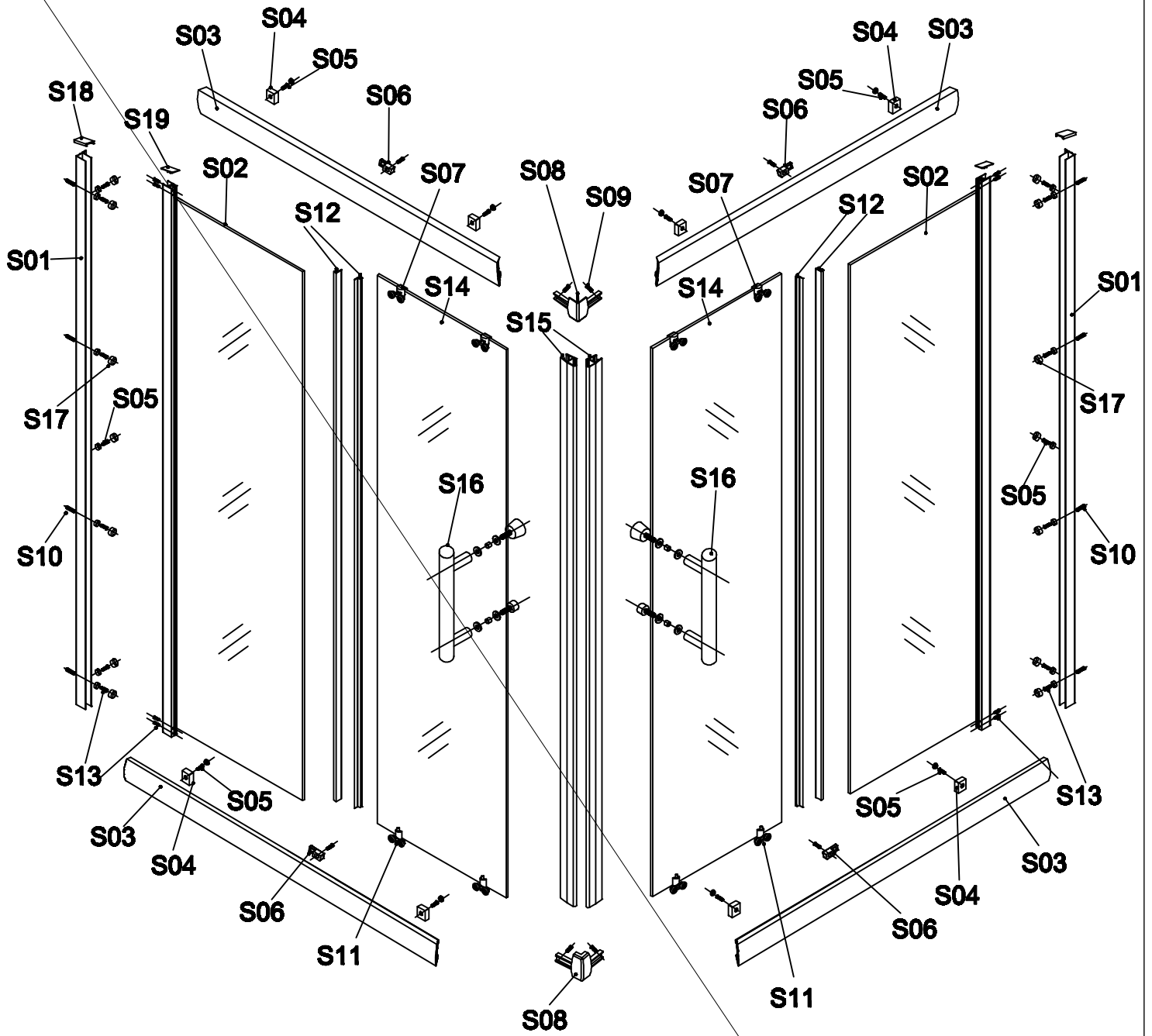
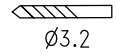
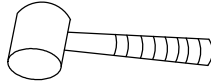
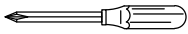
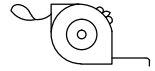
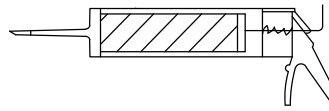
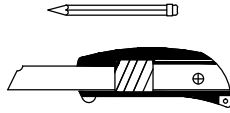
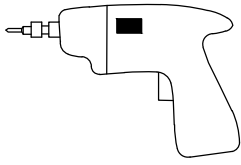


# FCR Series

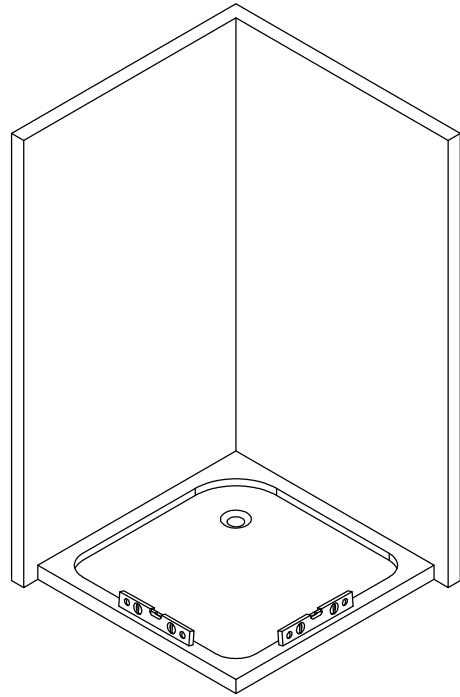
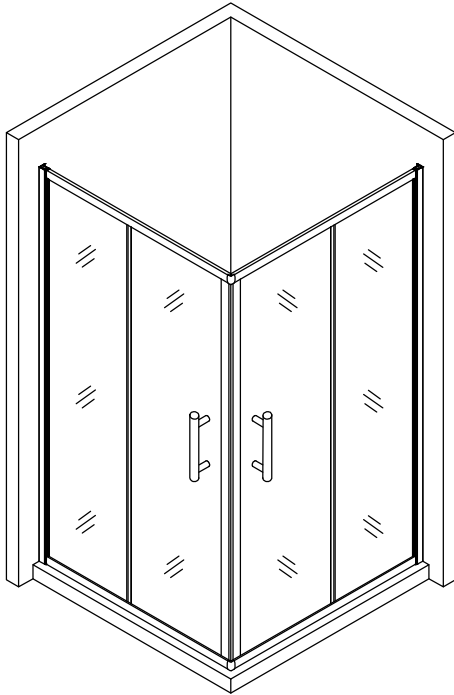
Edit:16.03



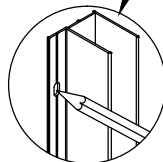
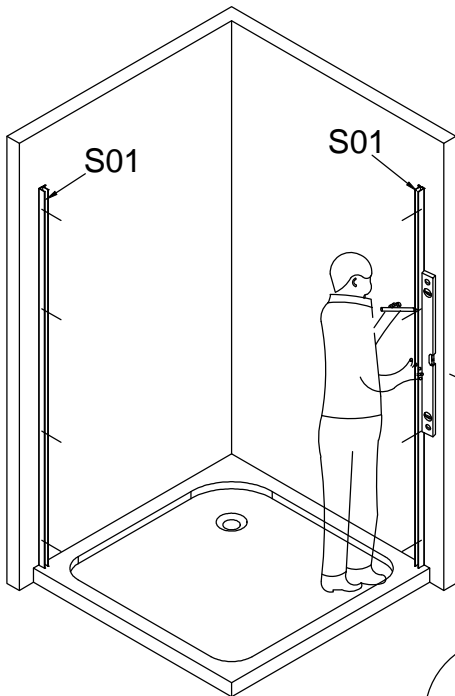
<p><b>S01</b></p> <p>x2</p>	<p><b>S03</b></p> <p>x4</p>	<p><b>S04</b></p> <p>x8</p>	<p><b>S05</b></p> <p>ST4</p> <p>x18</p>	<p><b>S06</b></p> <p>x4</p>	<p><b>S07</b></p> <p>x4</p>
<p><b>S08</b></p> <p>x2</p>	<p><b>S09</b></p> <p>ST4</p> <p>x4</p>	<p><b>S10</b></p> <p>x8</p>	<p><b>S11</b></p> <p>x4</p>	<p><b>S12</b></p> <p>x4</p>	<p><b>S13</b></p> <p>ST4</p> <p>x16</p>
<p><b>S15</b></p> <p>x2</p>	<p><b>S16</b></p> <p>x2</p>	<p><b>S17</b></p> <p>x14</p>	<p><b>S18</b></p> <p>x2</p>	<p><b>S19</b></p> <p>x2</p>	



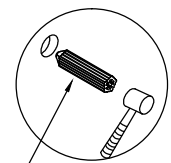
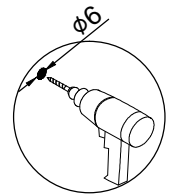
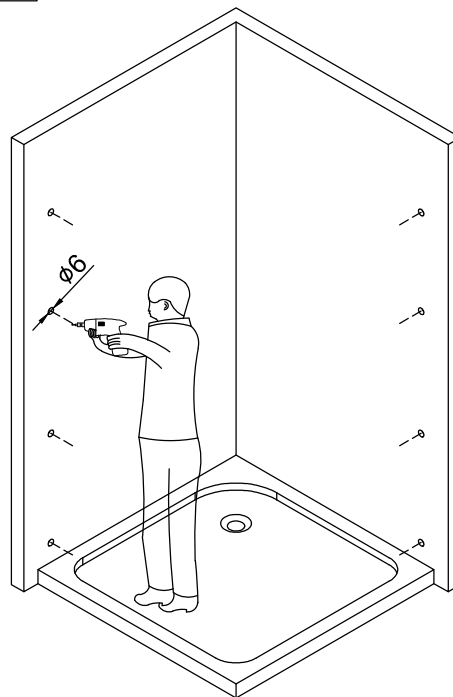
1



2

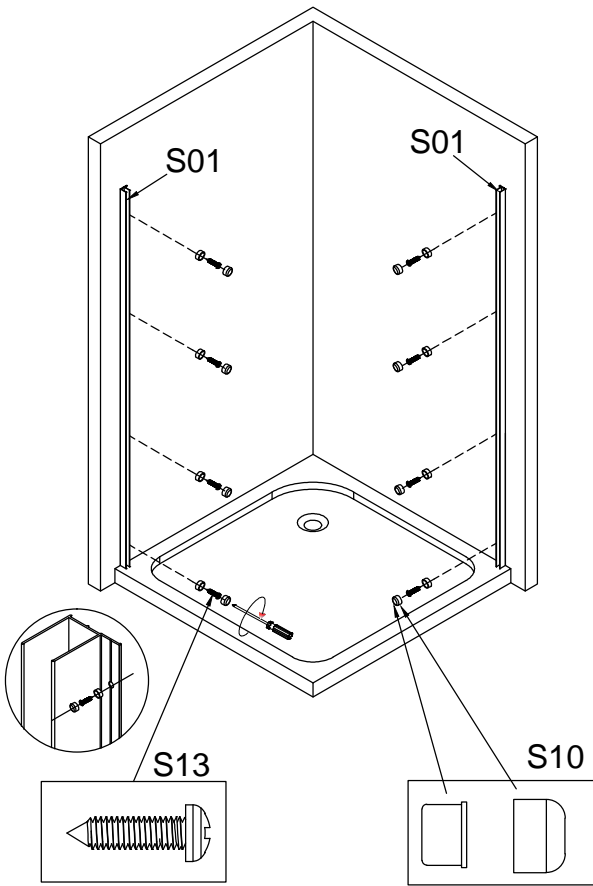


3

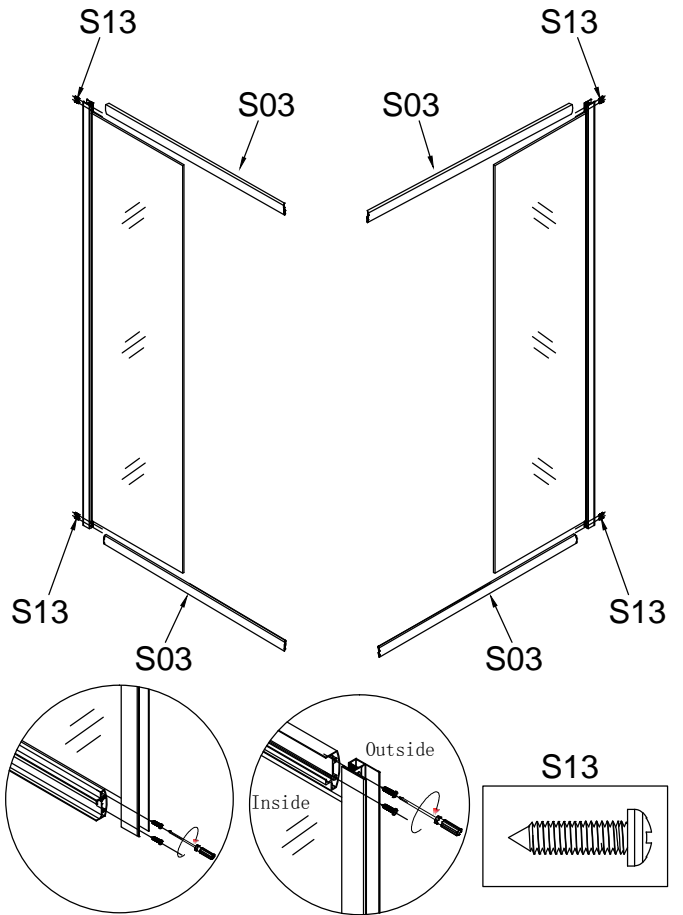


S10

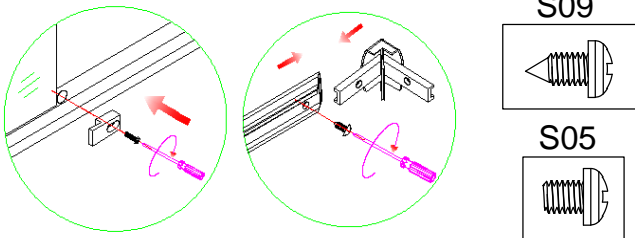
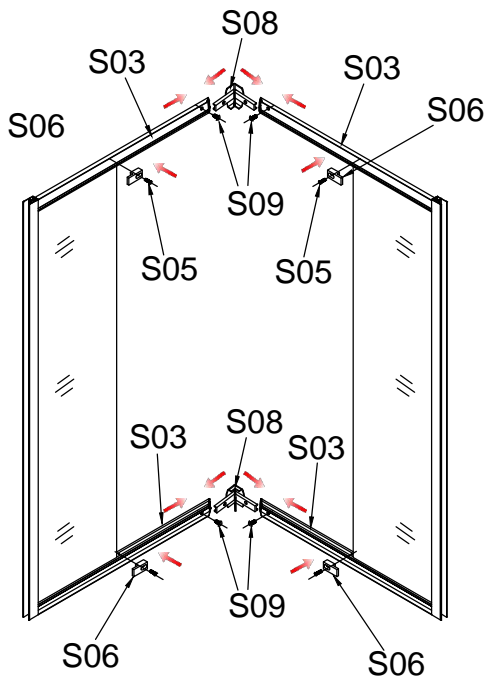
4



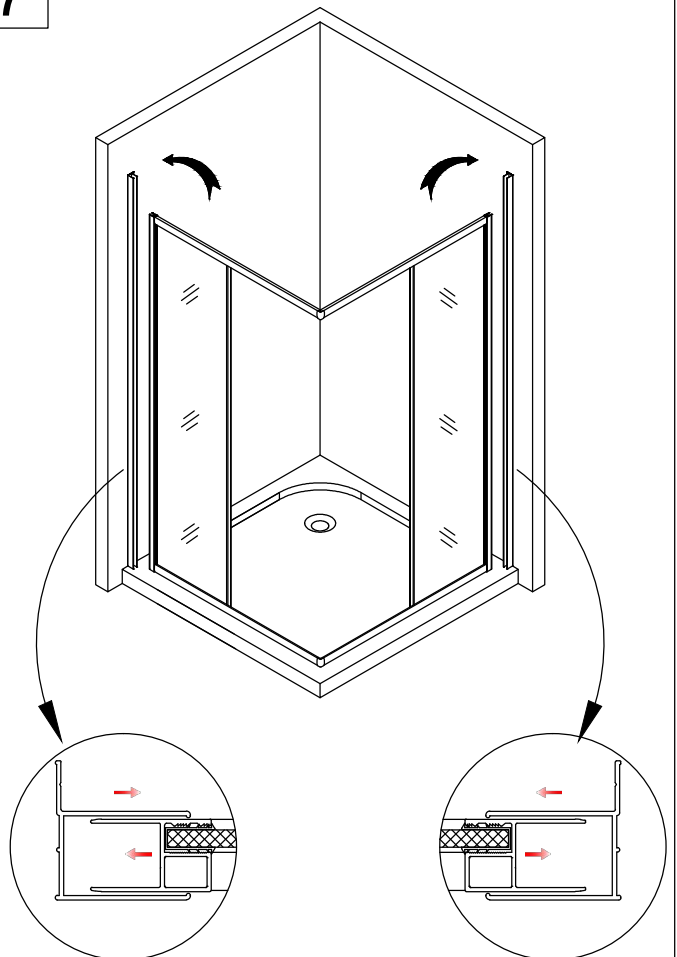
5



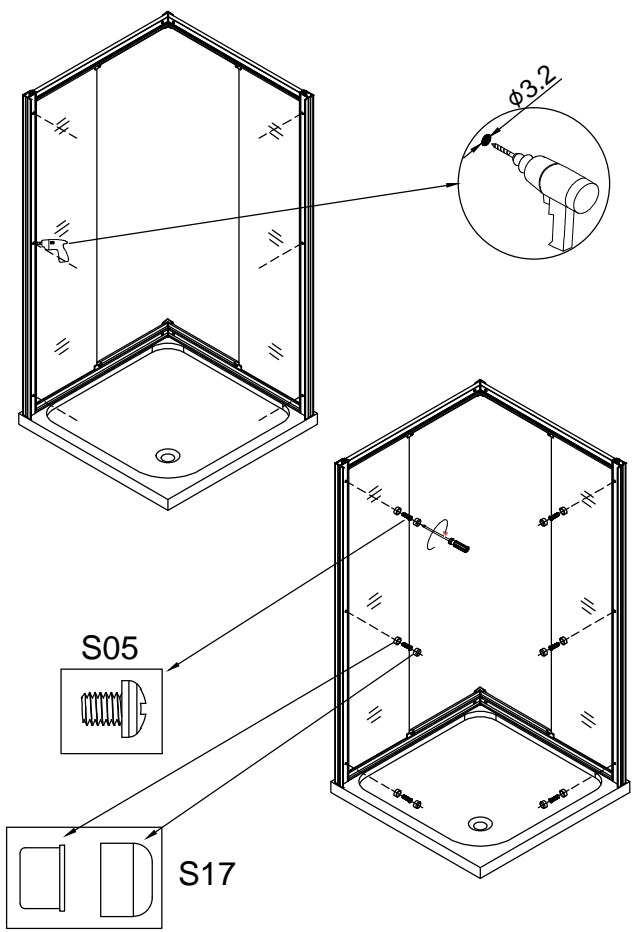
6



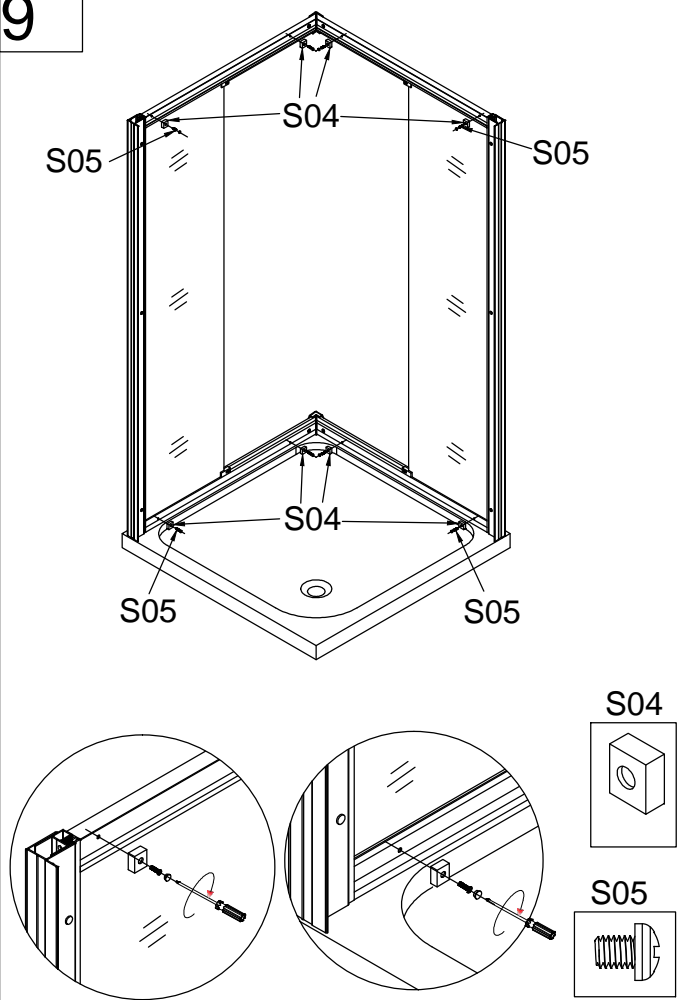
7



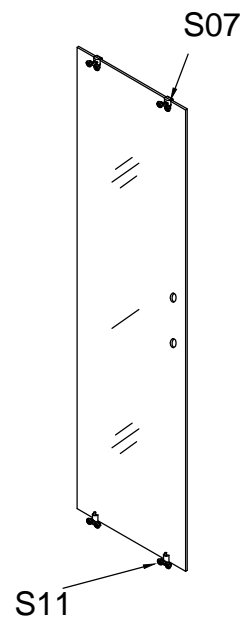
8



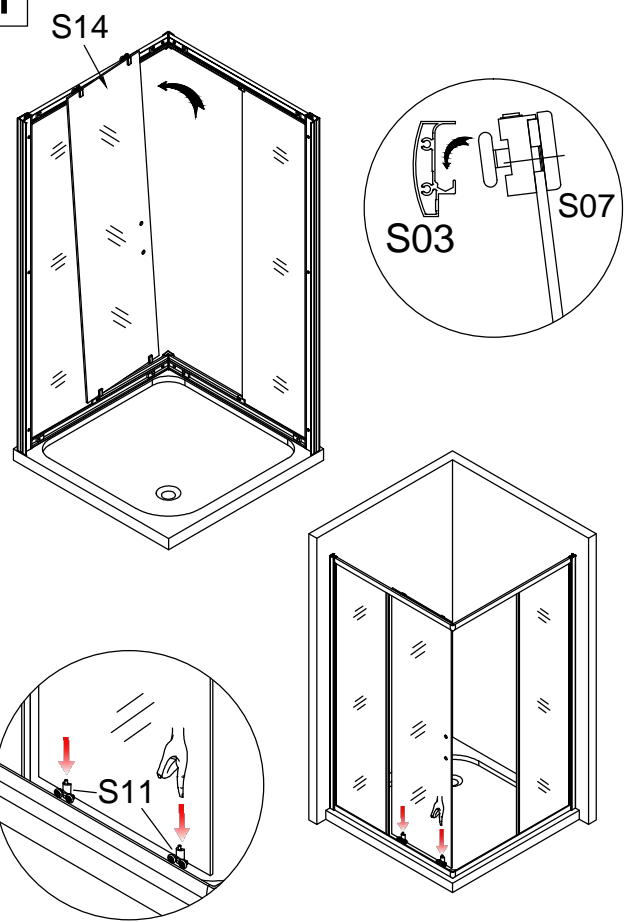
9



10

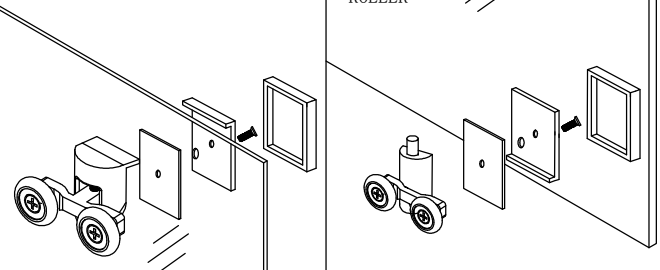


11

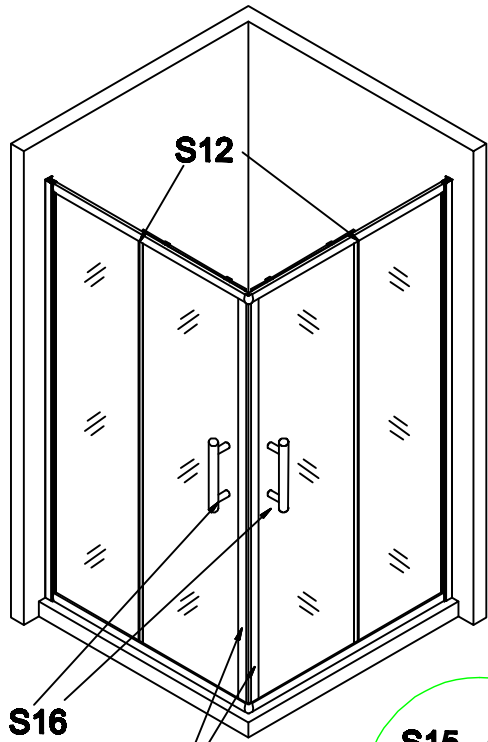


TOP ROLLER

BOTTOM ROLLER



12



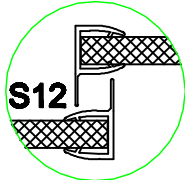
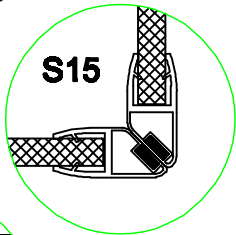
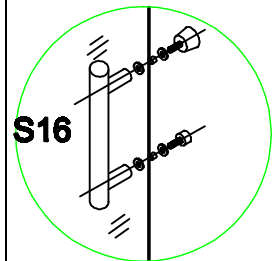
S16

S15

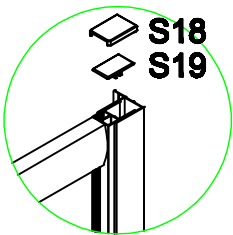
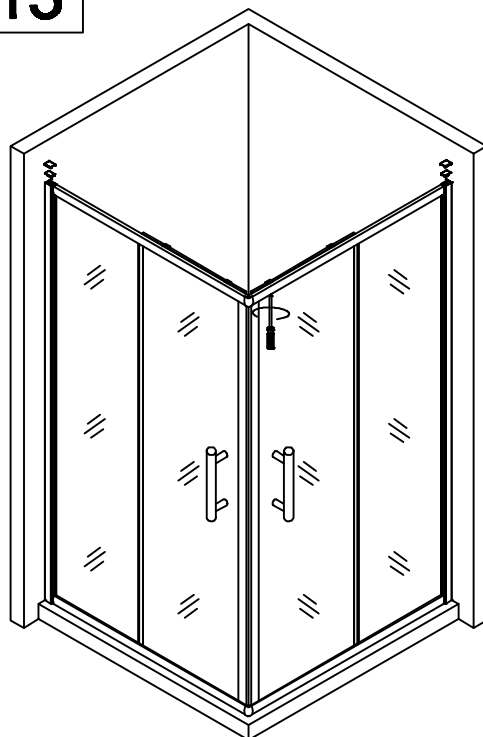
S15

S12

S16

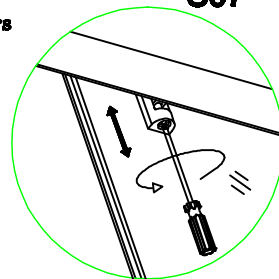


13



S07

Adjust the top rollers in the event of glass door is not leveled



14

