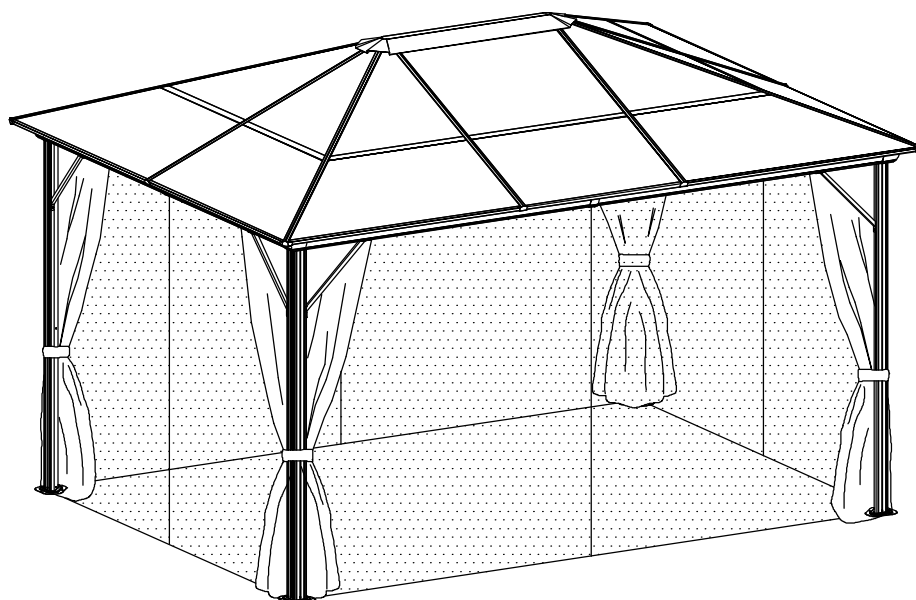


DANCOVER[®]



Manual
for
Gazebo 3x4m

3 x 4 M





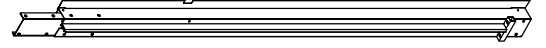
A 4x



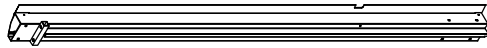
B 2x



B1 2x



C 2x



C1 2x



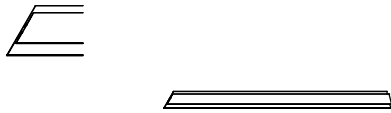
D 4x



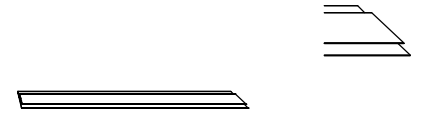
E 6x



F 2x



F1 4x



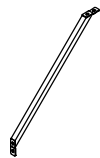
F2 4x



G 2x



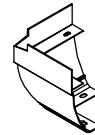
G1 8x



H 8x



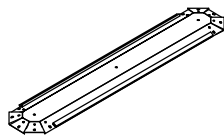
J 4x



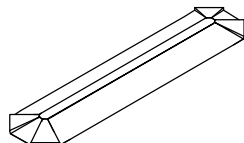
K 4x



K1 4x



L 1x



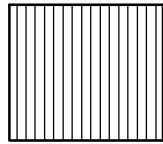
M 1x



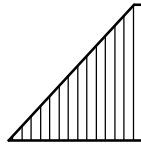
N 4x



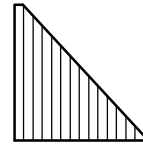
P 6x



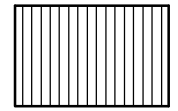
Q 2x



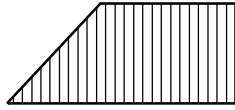
Q1 4x



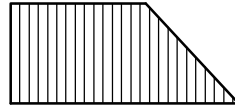
Q2 4x



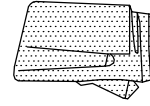
R 2x



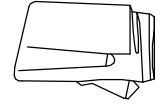
R1 4x



R2 4x



S 4x



T 4x



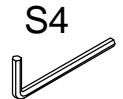
U 112x



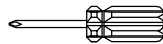
V 4x



W 12x



X 1x



Y 1x



M6x15

1 91x



M6x35

2 16x



M5x12

3 16x



ST5x12

4 24x

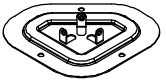


5 2x

<1>



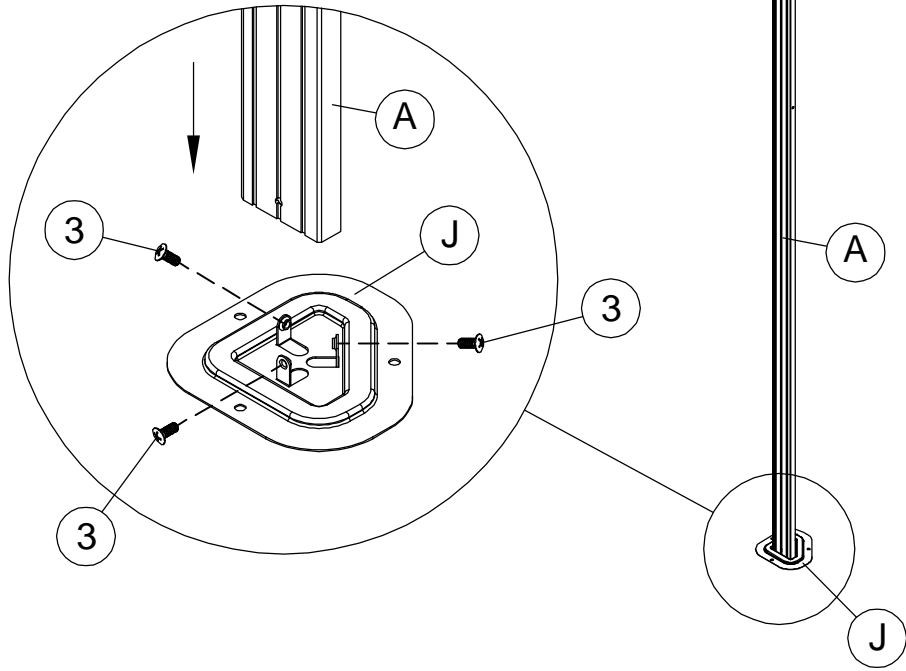
A 4x



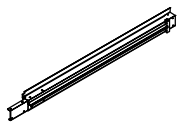
J 4x



3 12x M5x12



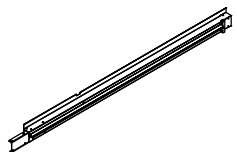
4



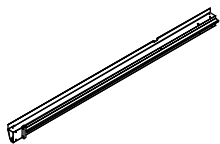
(B) 2x



(B1) 2x



(C) 2x



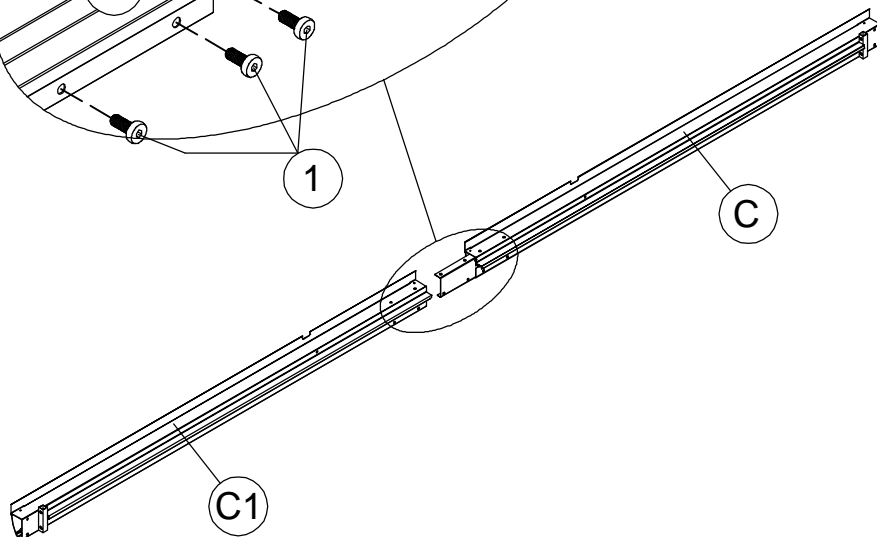
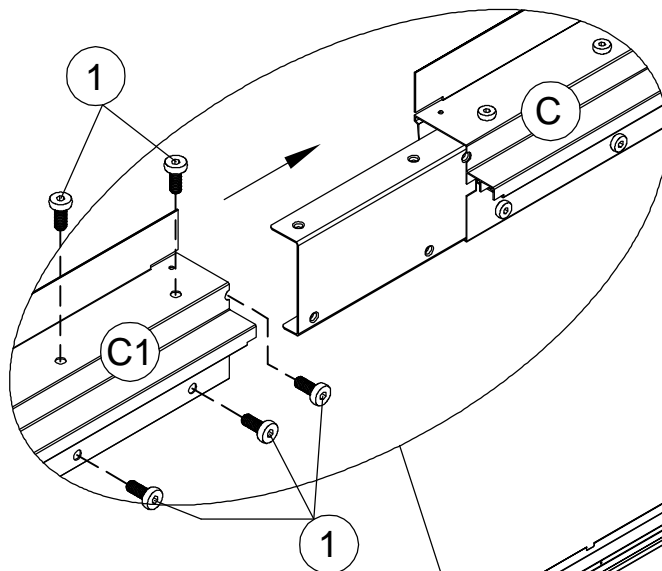
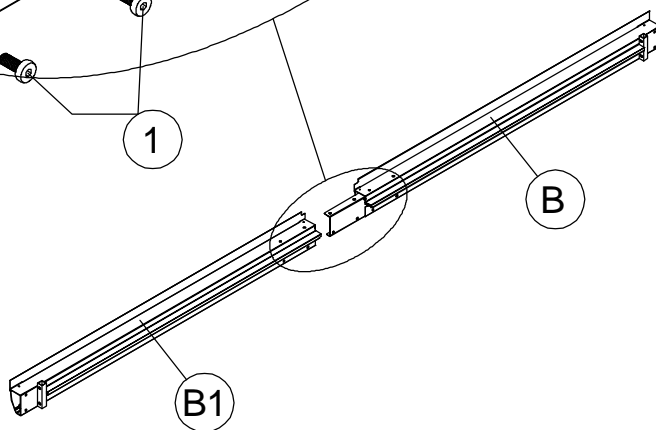
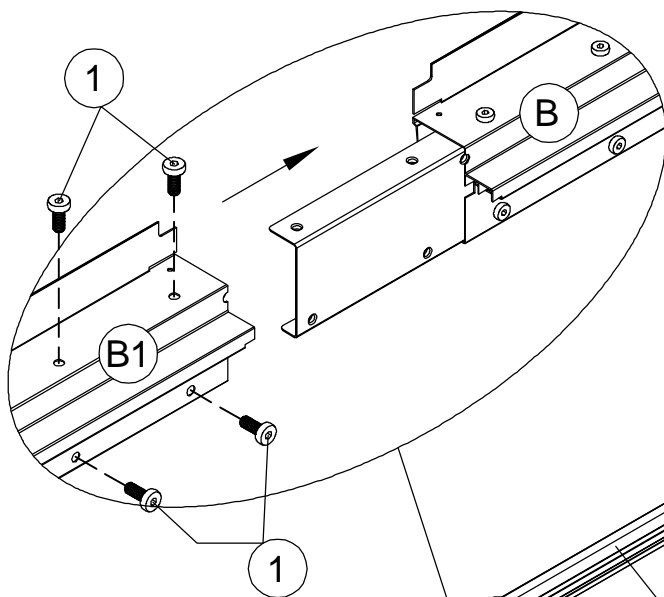
(C1) 2x





(1) 18x M6x15

5

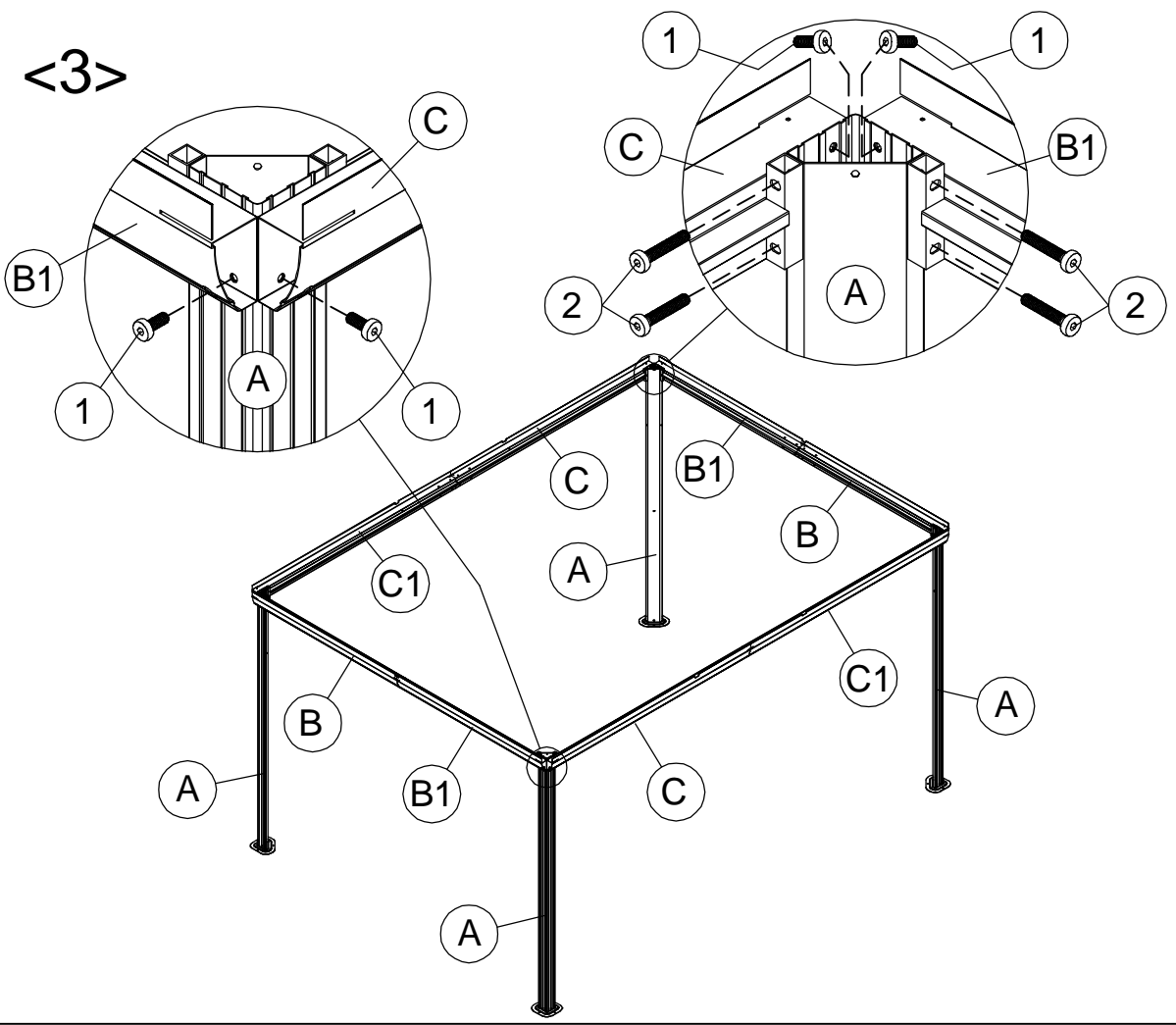
<2>





 M6x15
1 16x

 M6x35
2 16x

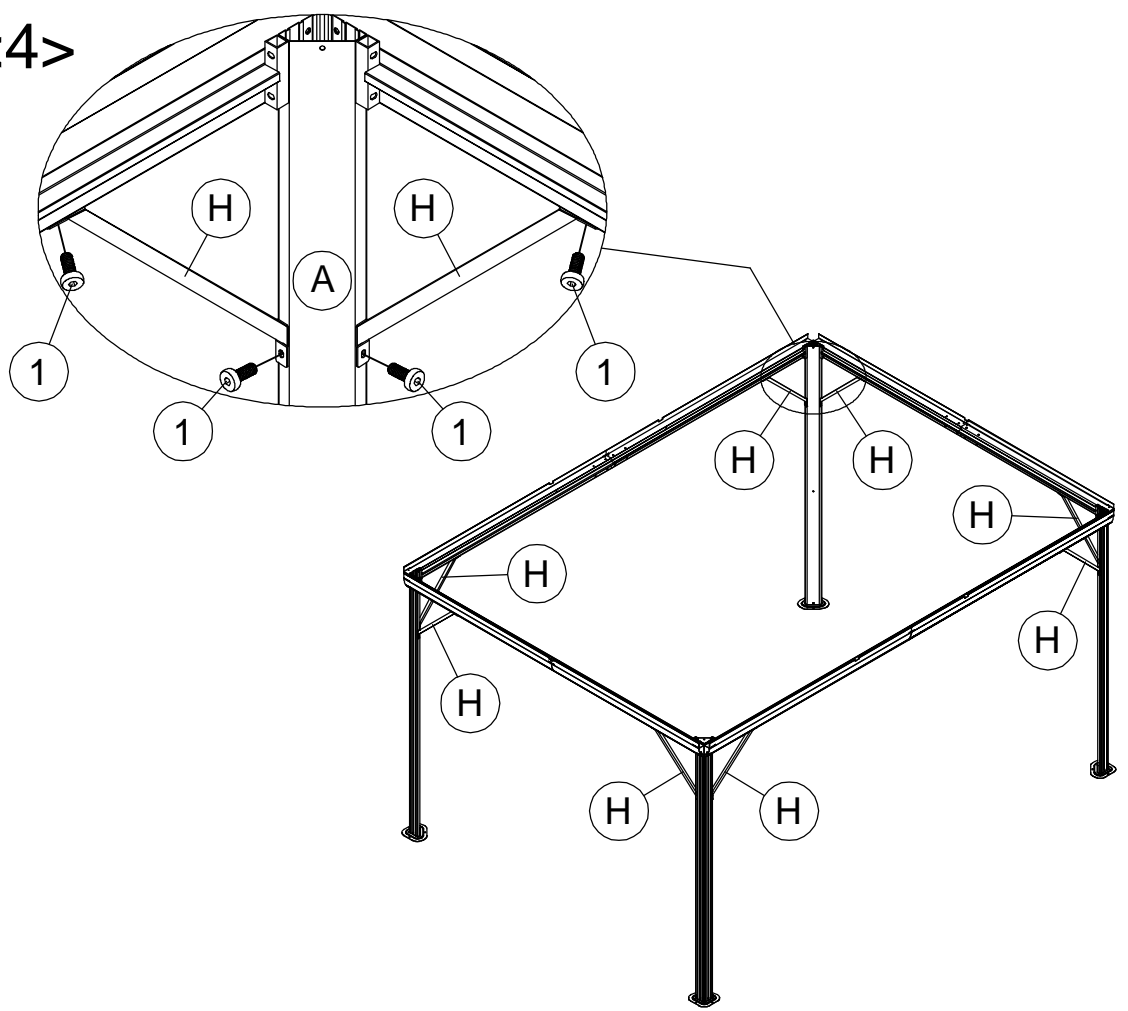
<3>



 H 8x

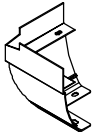
 M6x15
1 16x

<4>



6

<5>



(K) 4x



(K1) 4x



(U) 112x



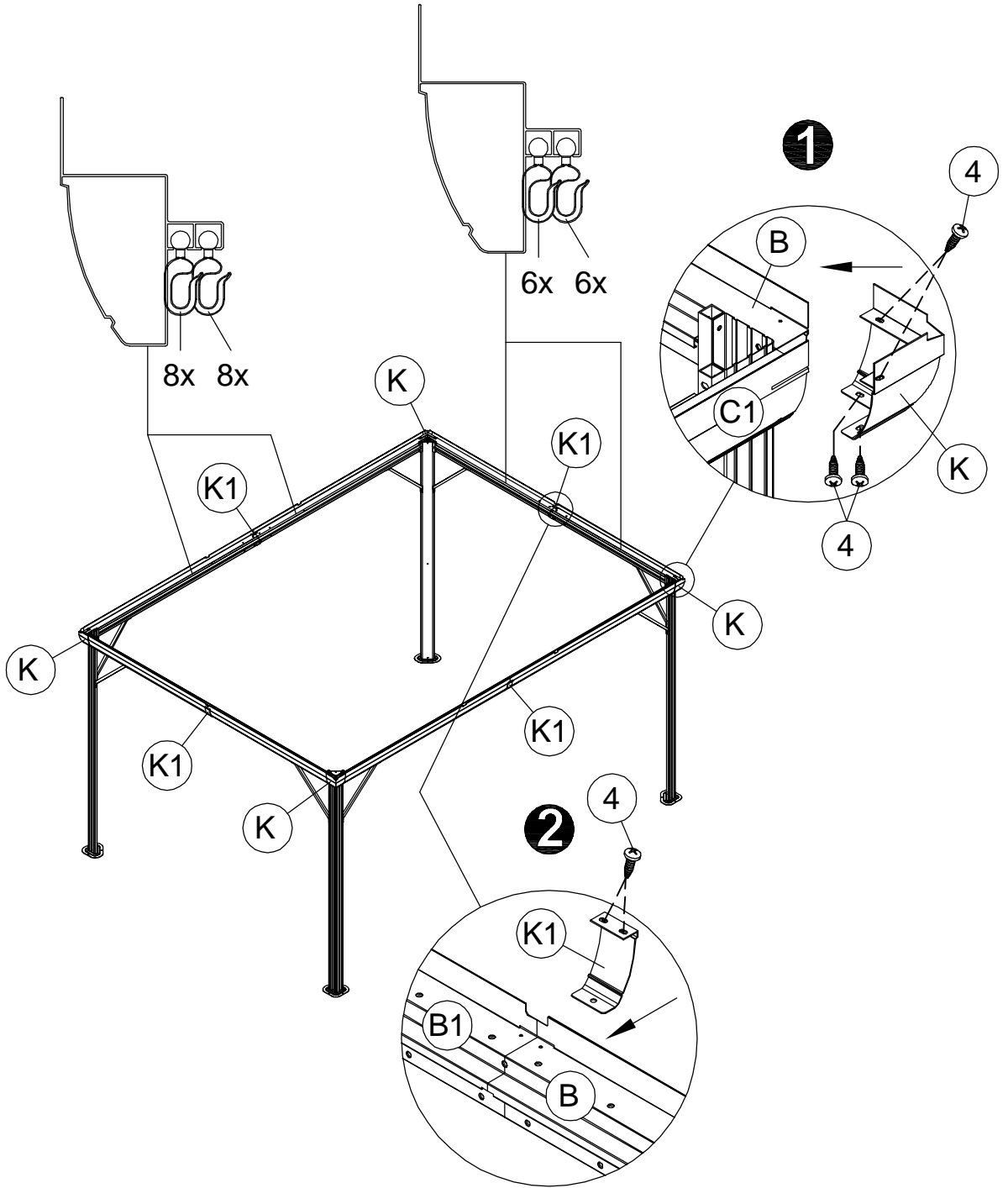
(V) 4x



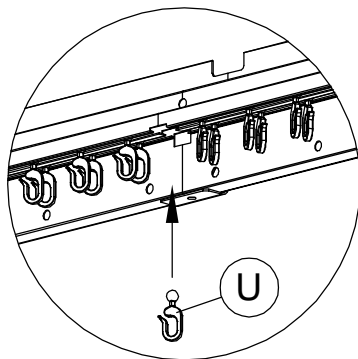
(3) 4x M5x12



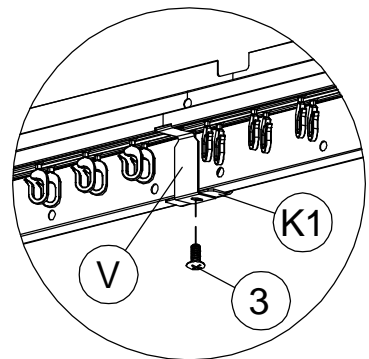
(4) 24x ST5x12



3



4

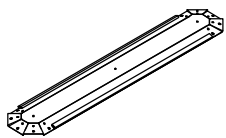


7



<6>

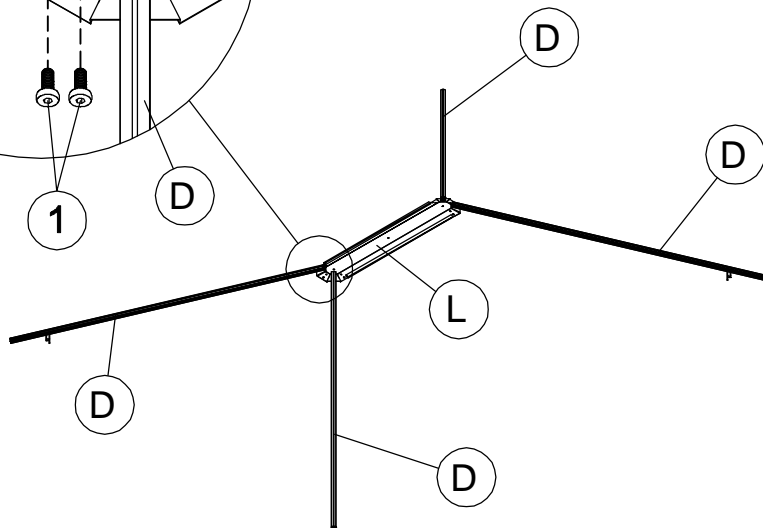
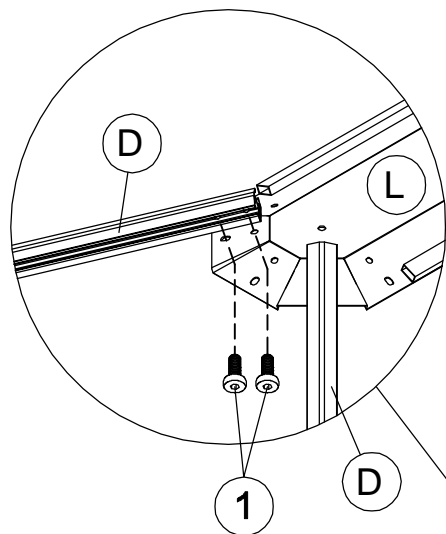
(D) 4x



(L) 1x

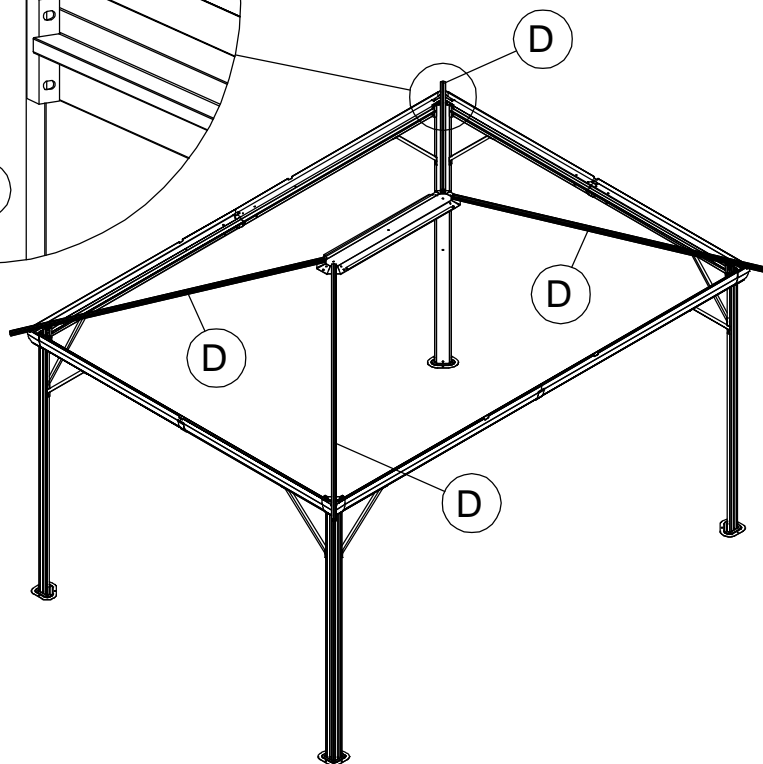
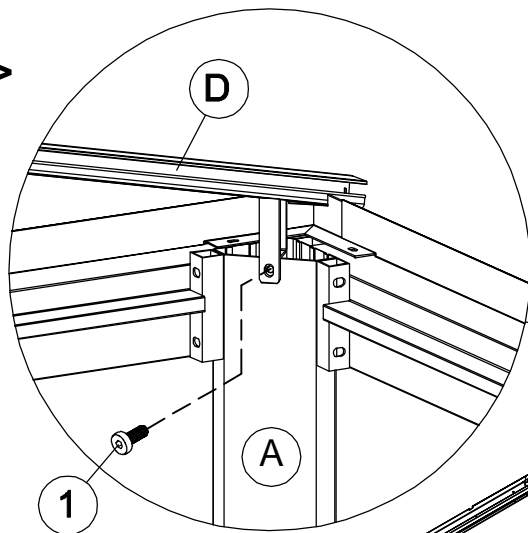


(1) 8x M6x15



(1) 4x M6x15

<7>



8

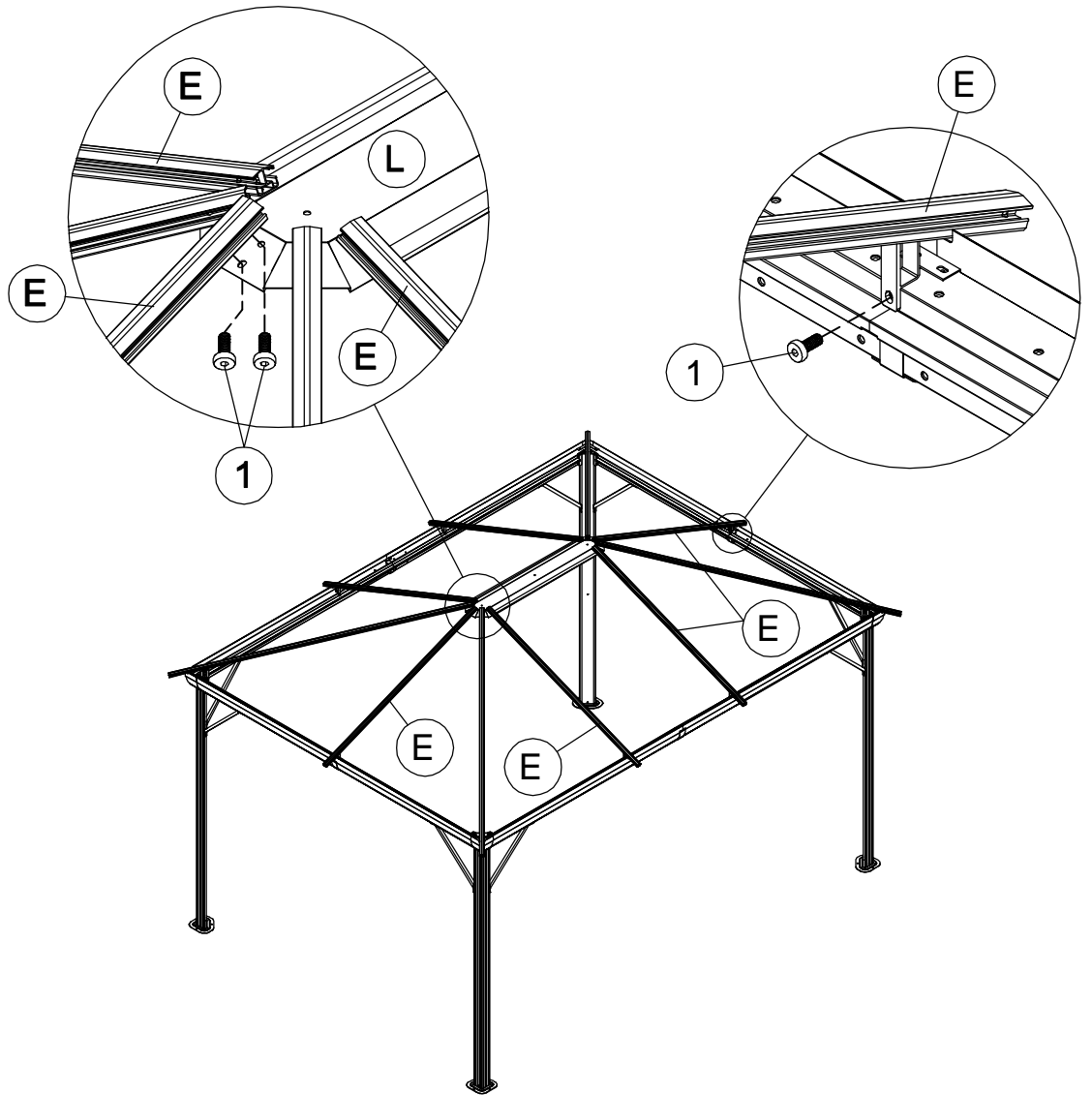


<8>

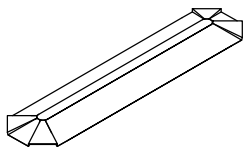
E 6x



1 18x M6x15



9



<9>

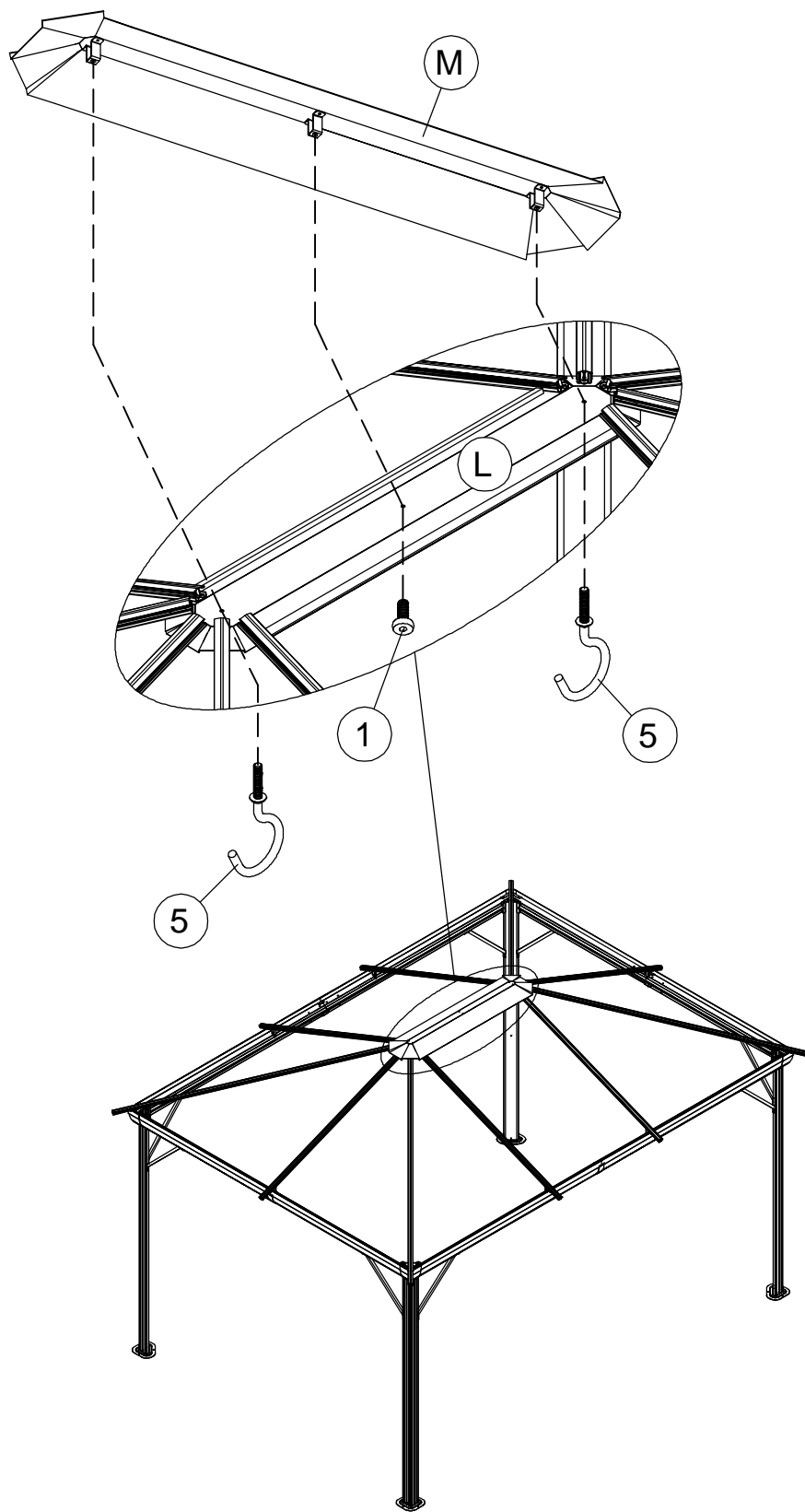
(M) 1x



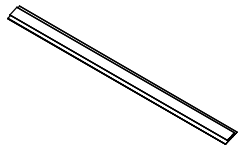
(1) 1x M6x15



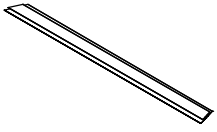
(5) 2x



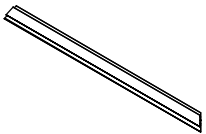
<10>



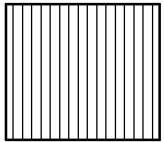
F 2x



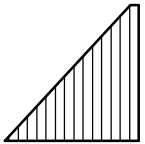
F1 4x



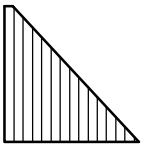
F2 4x



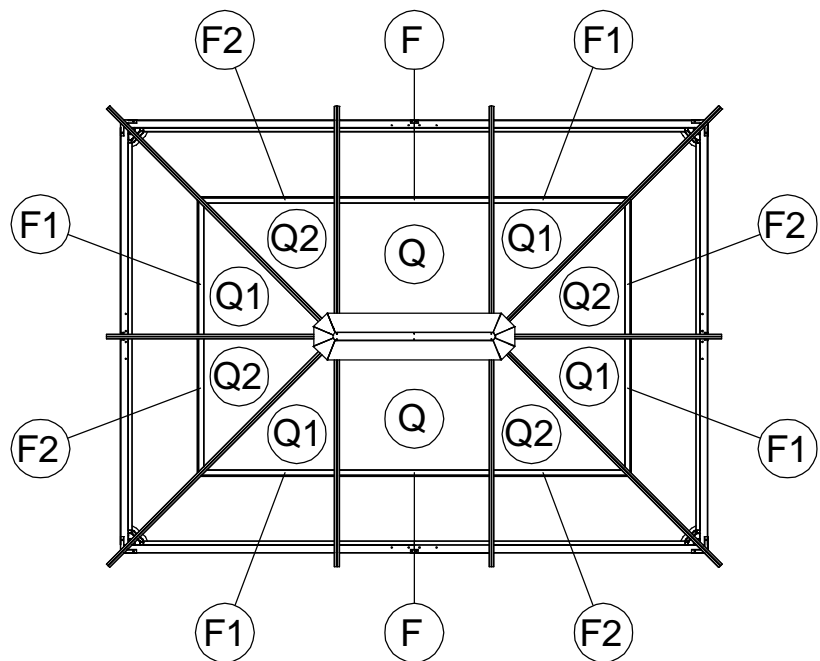
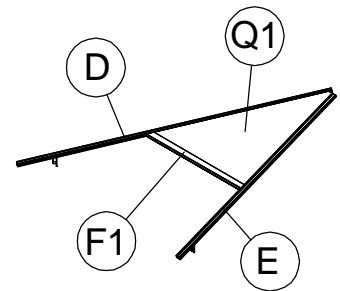
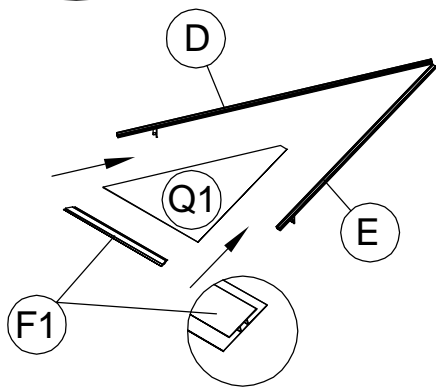
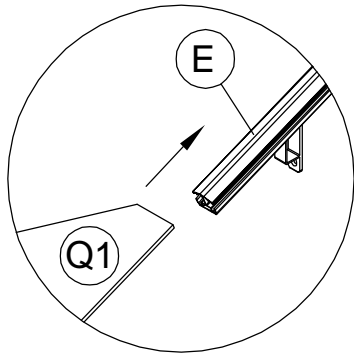
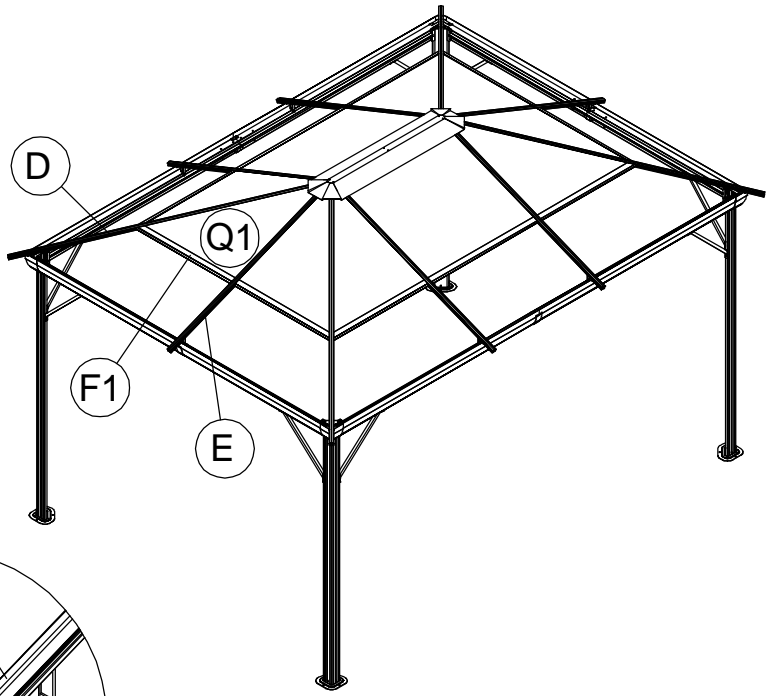
Q 2x

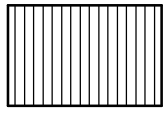


Q1 4x

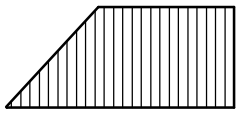


Q2 4x

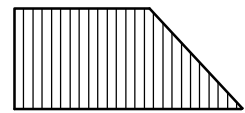




(R) 2x

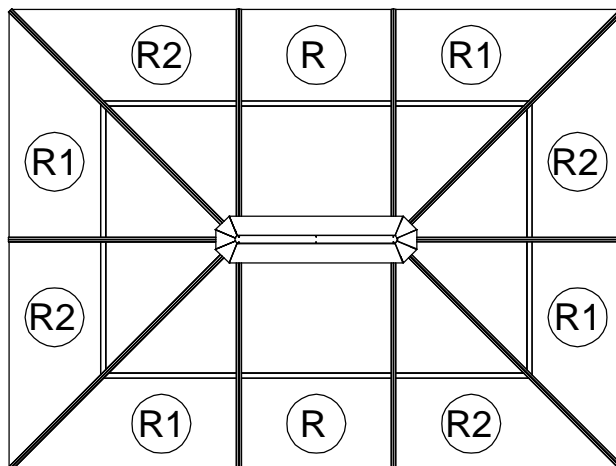
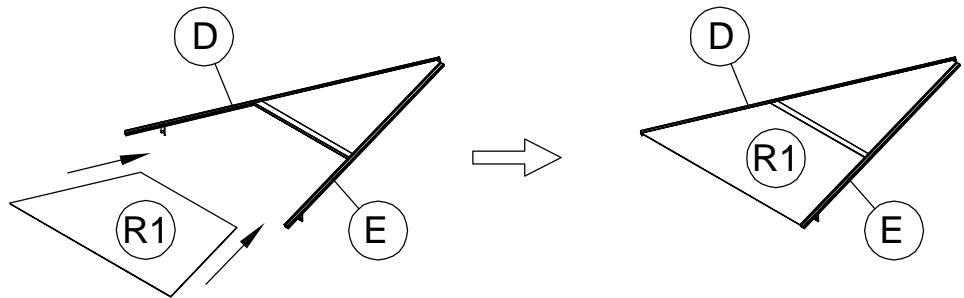
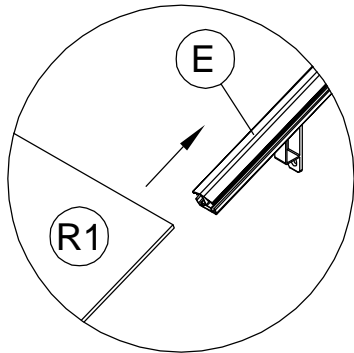
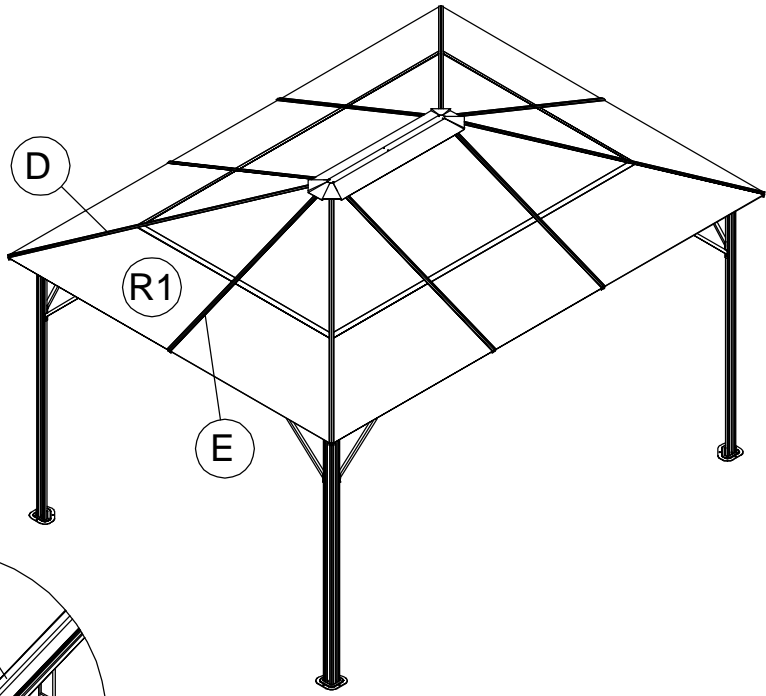


(R1) 4x

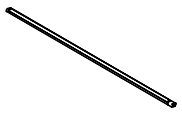
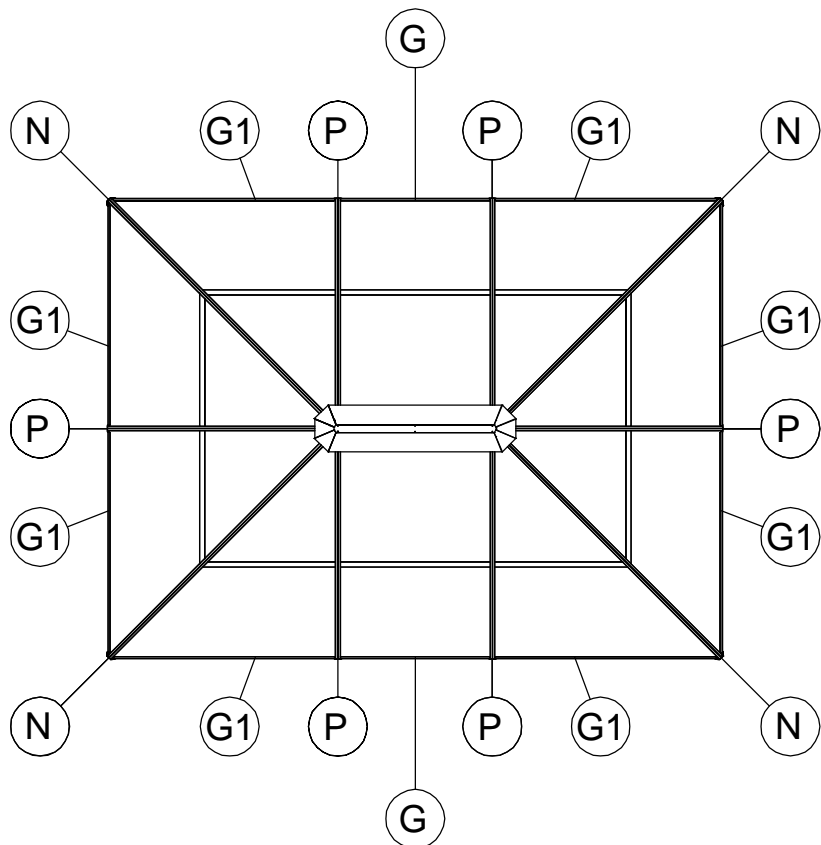
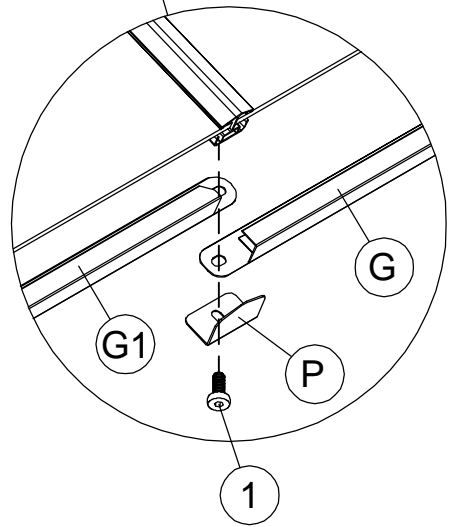
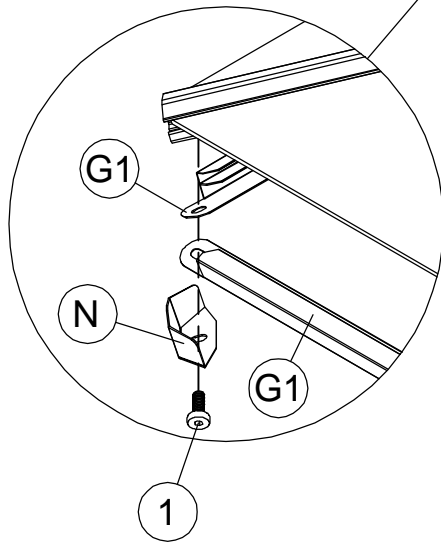
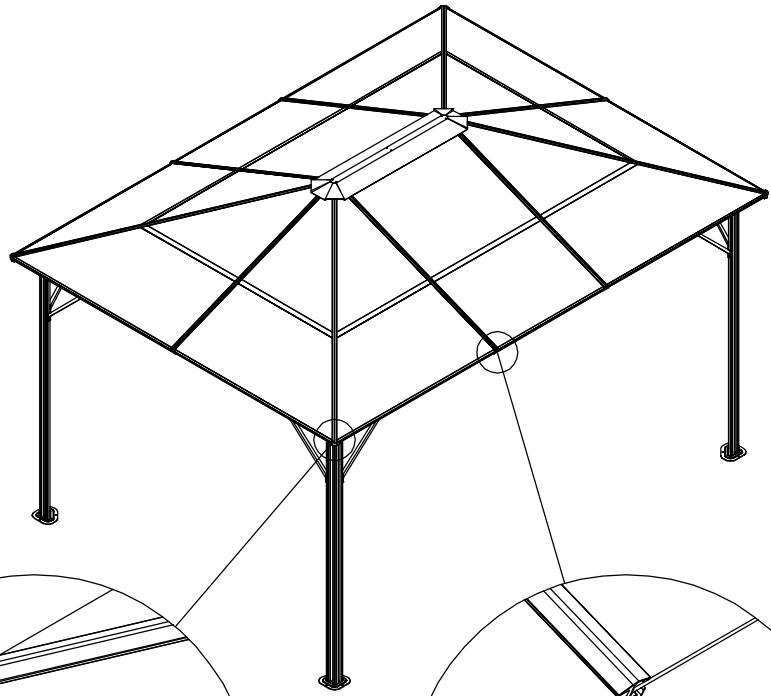


(R2) 4x

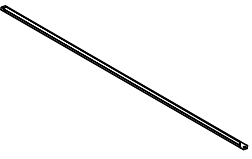
<11>



<12>



G 2x



G1 8x



N 4x

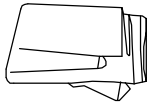


P 6x



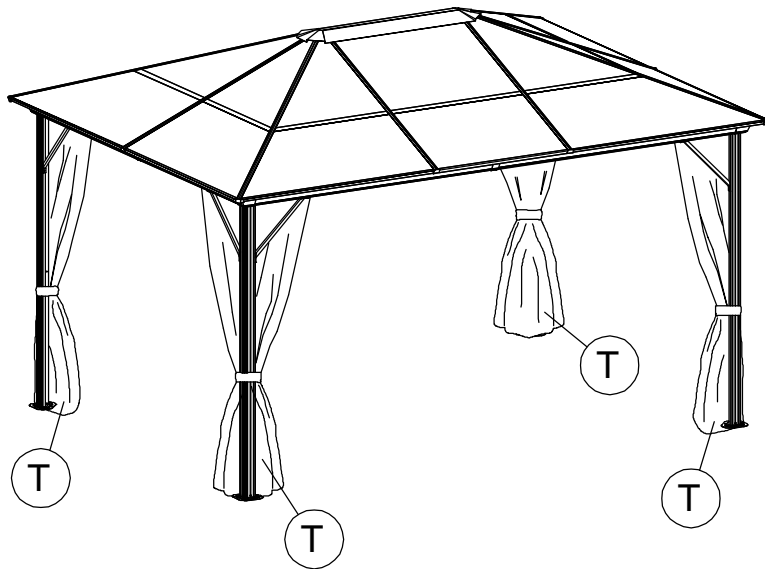
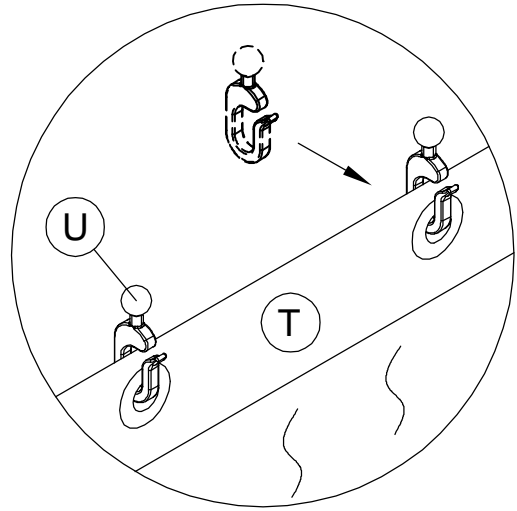
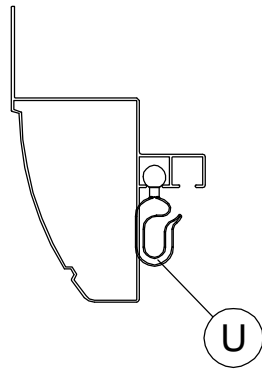
1 10x M6x15

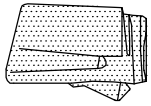
13



<13>

T 4x



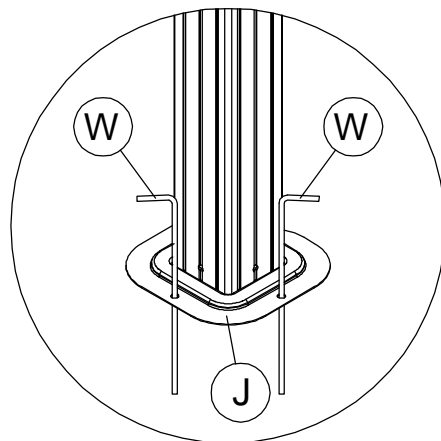
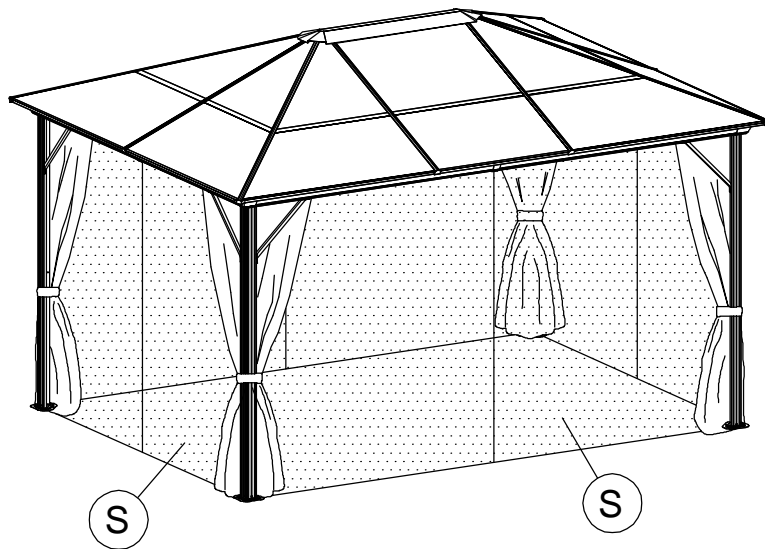
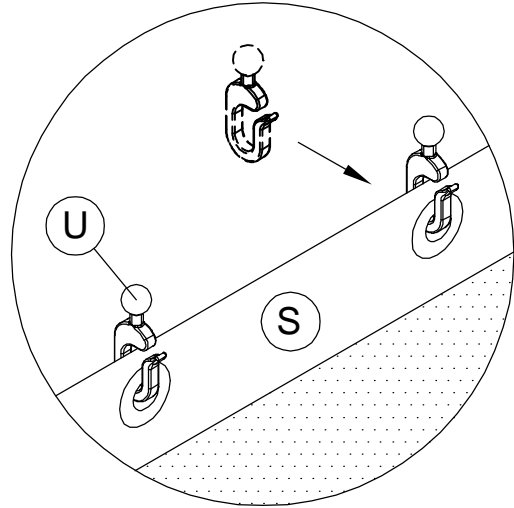
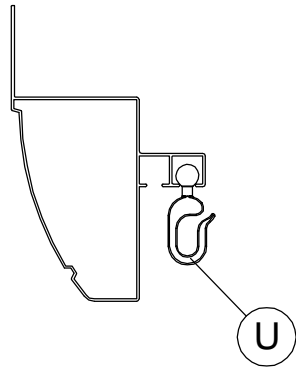


<14>

(S) 4x



(W) 12x



DANCOVER[®]

.com

Contact information

Head office:

Dancover A/S
Nordre Strandvej 119 G
3150 Hellebæk
Denmark

For more information
please visit:
www.dancovershop.com

National contact

Denmark: 70 26 76 20
denmark@dancover.com

UK: 020 8099 7570
uk@dancover.com

Germany: 041 0266 7040
germany@dancover.com

France: 0975 181 800
france@dancover.com

Sweden: 040 233 262
sverige@dancover.com

Finland: 0 931 581 720
suomi@dancover.com

Poland: 22 300 8602
polska@dancover.com

Luxembourg: +49 041 0266 7040
luxembourg@dancover.com

Portugal: 308 800 899
portugal@dancover.com

Spain: 911 436 828
espana@dancover.com

Italy: 02 479 21 198
italia@dancover.com

Switzerland: 0840 000125
schweiz@dancover.com

Austria: 0662 626935
austria@dancover.com

Norway: 231 00 690
norge@dancover.com

Nederland: 0 858 880 524
nederland@dancover.com

Ireland: 0 151 33 003
ireland@dancover.com

Belgium: 0 28 08 08 09
belgique@dancover.com