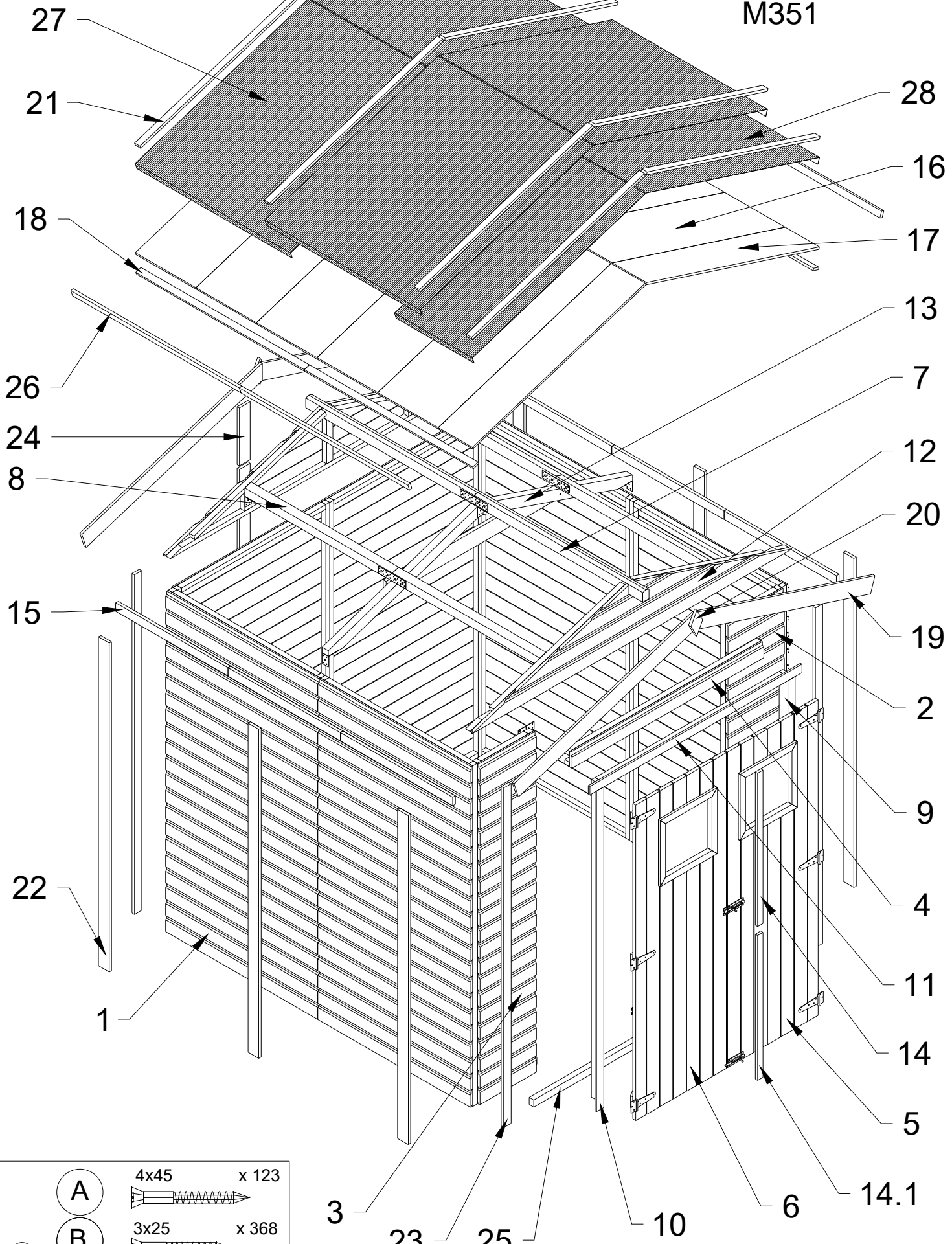
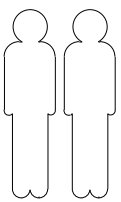
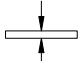
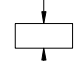
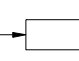
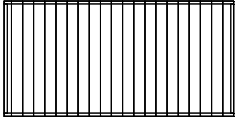
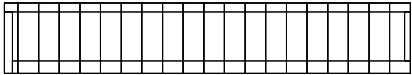
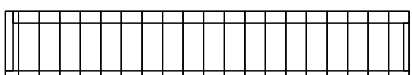
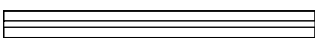
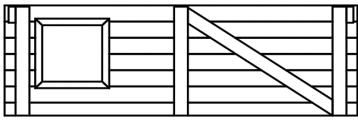
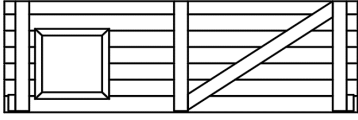
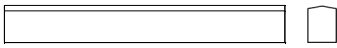
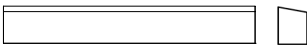
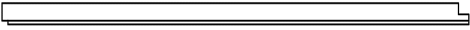
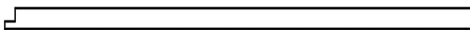
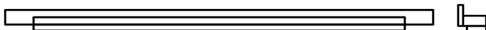
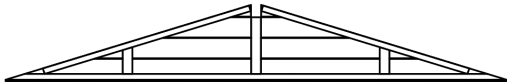
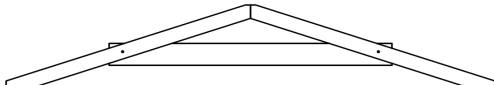
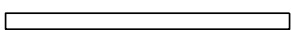
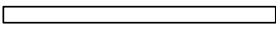
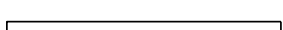
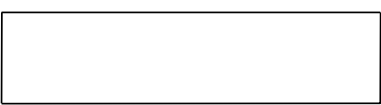
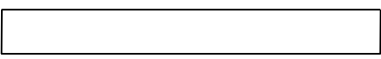
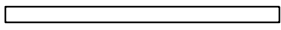


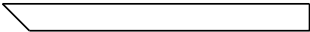

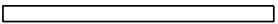
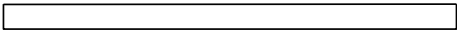
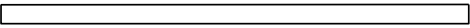


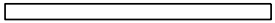




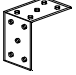
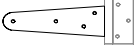
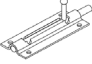
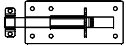
M351



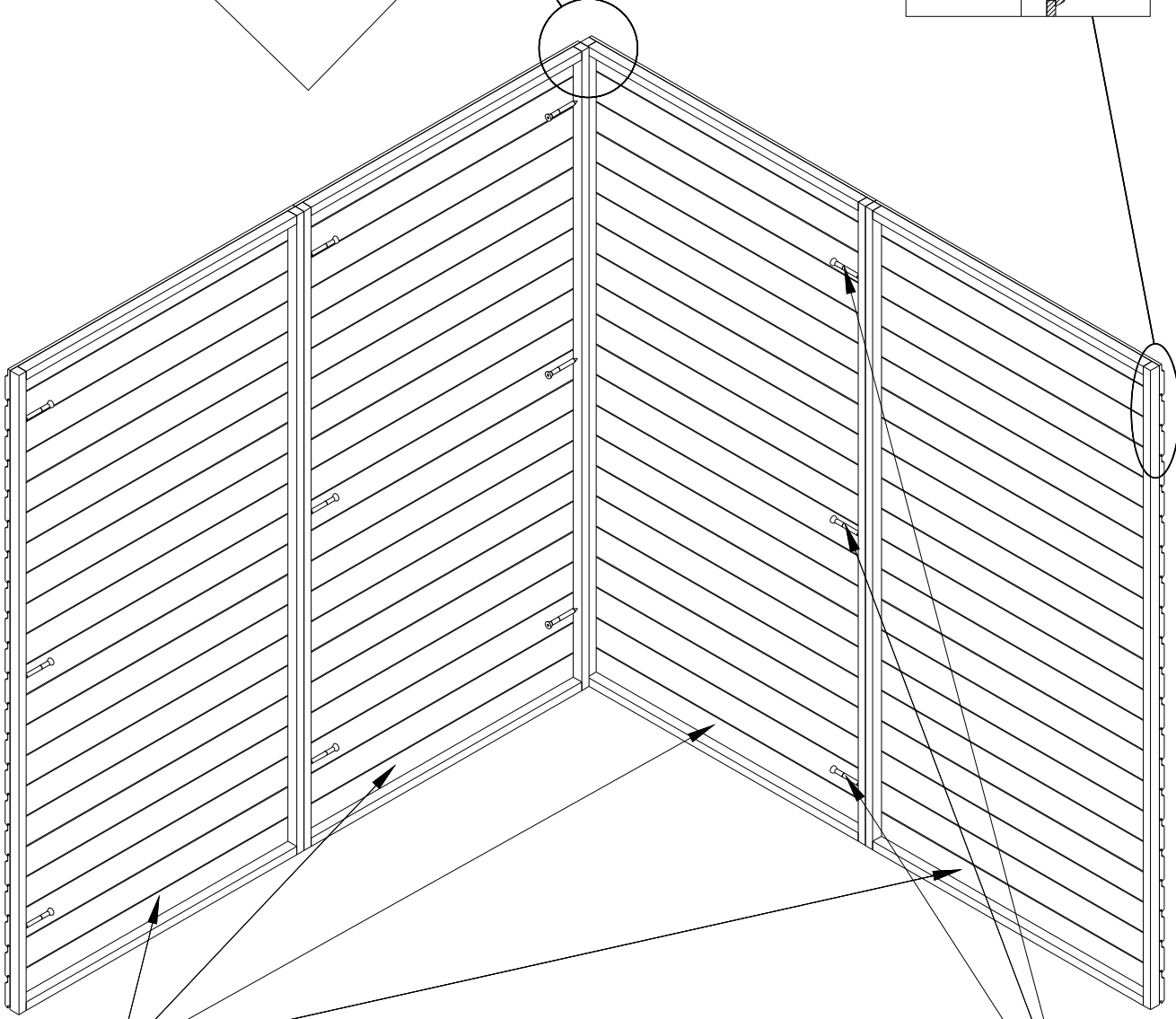
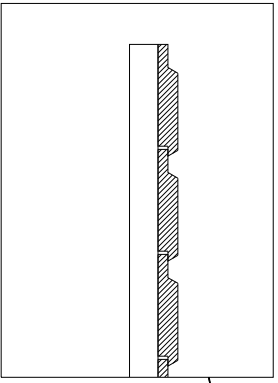
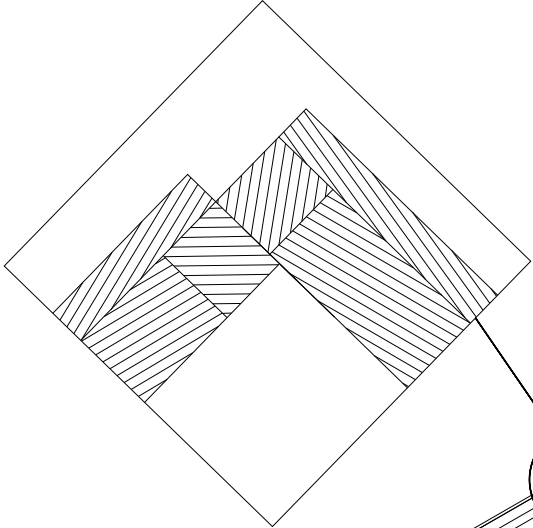
|          |        |       |
|----------|--------|-------|
| <b>A</b> | 4x45   | x 123 |
| <b>B</b> | 3x25   | x 368 |
| <b>C</b> | 1.4x25 | x 28  |
| <b>D</b> | 3x20   | x 26  |
| <b>F</b> | 3x13   | x 6   |



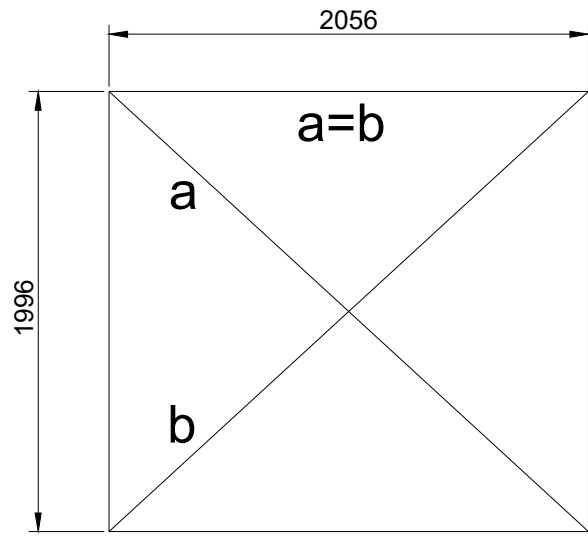
| №    |   | PCS | <br>mm | <br>mm | <br>mm |
|------|---|-----|---|---|---|
| 1    |    | 6   |   | 980   | 1900  |
| 2    |    | 1   |   | 363   | 1900  |
| 3    |    | 1   |   | 363   | 1900  |
| 4    |    | 1   |   | 89  | 1234  |
| 5    |    | 1   |   | 585   | 1760  |
| 6    |   | 1   |   | 585   | 1760  |
| 7    |  | 2   | 40  | 60  | 1085  |
| 8    |  | 4   | 40  | 60  | 950   |
| 9    |  | 1   | 47  | 57  | 1811  |
| 10   |  | 1   | 47  | 57  | 1811  |
| 11   |  | 1   |   | 67  | 1365  |
| 12   |  | 2   |   | 330   | 2054  |
| 13   |  | 1   |   | 354   | 1960  |
| 14   |  | 1   | 15  | 35  | 855   |
| 14.1 |  | 1   | 15  | 35  | 808   |
| 15   |  | 6   | 17  | 47  | 723   |
| 16   |  | 10  | OSB   | 390   | 1170  |
| 17   |  | 2   | OSB   | 220   | 1170  |
| 18   |  | 4   | 12  | 35  | 1085  |

|    |   |   |    |      |      |
|----|---|---|----|------|------|
| 19 |    | 4 | 13 | 92   | 1220 |
| 20 |    | 2 | 15 | 75   | 145  |
| 21 |    | 8 | 15 | 35   | 1170 |
| 22 |    | 7 | 15 | 69   | 1835 |
| 23 |    | 4 | 17 | 47   | 1894 |
| 24 |    | 1 | 15 | 69   | 323  |
| 25 |    | 1 | 30 | 40   | 1234 |
| 26 |    | 4 | 15 | 35   | 1085 |
| 27 |    | 2 |    | 1m   | 2,5m |
| 28 |    | 1 |    | 0,5m | 2,5m |
| 29 |   | 6 |    |      |      |
| 30 |  | 4 |    |      |      |
| 31 |  | 7 |    |      |      |
| 32 |  | 6 |    |      |      |
| 33 |  | 3 |    |      |      |
| 34 |  | 1 |    |      |      |

1

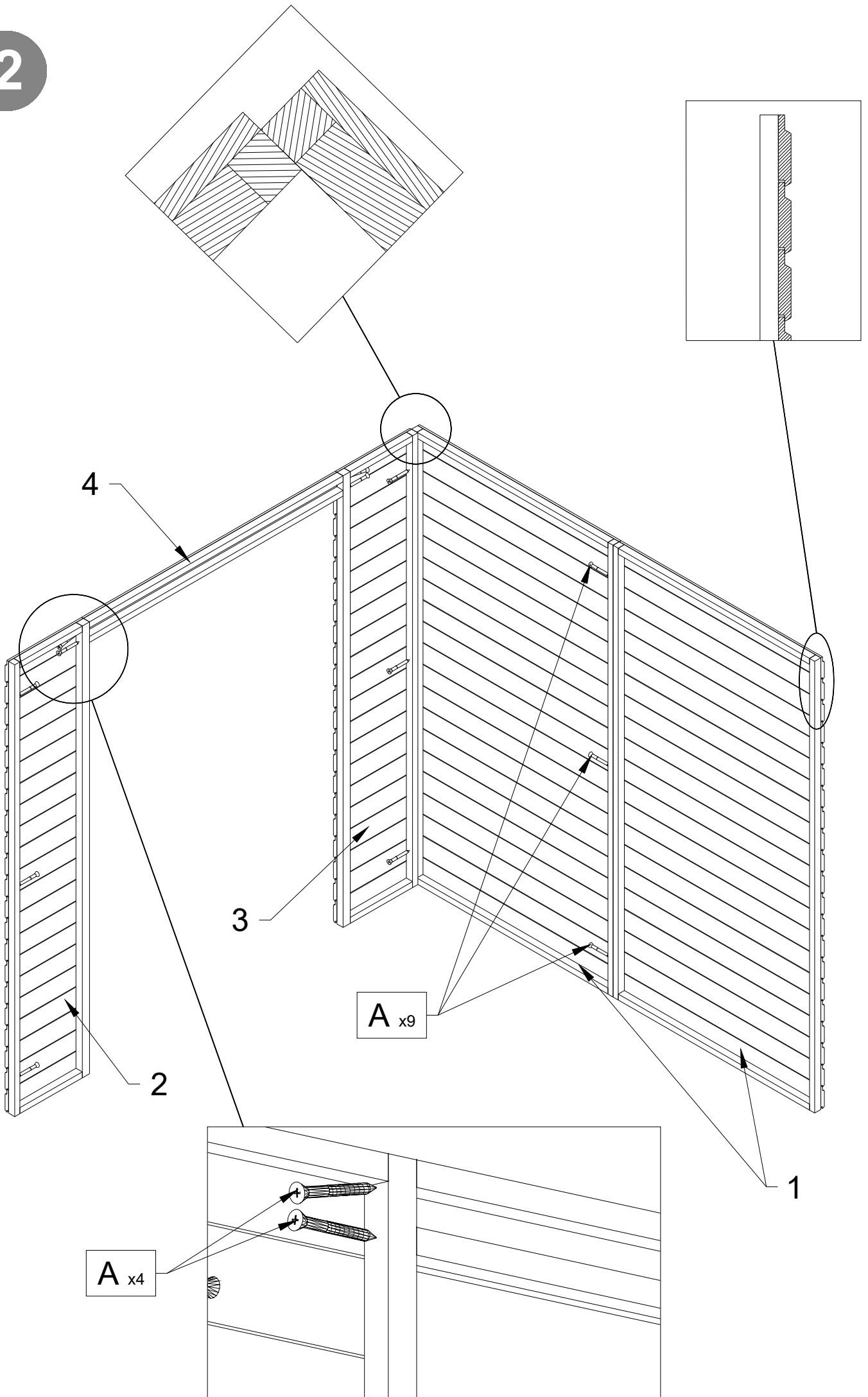


1



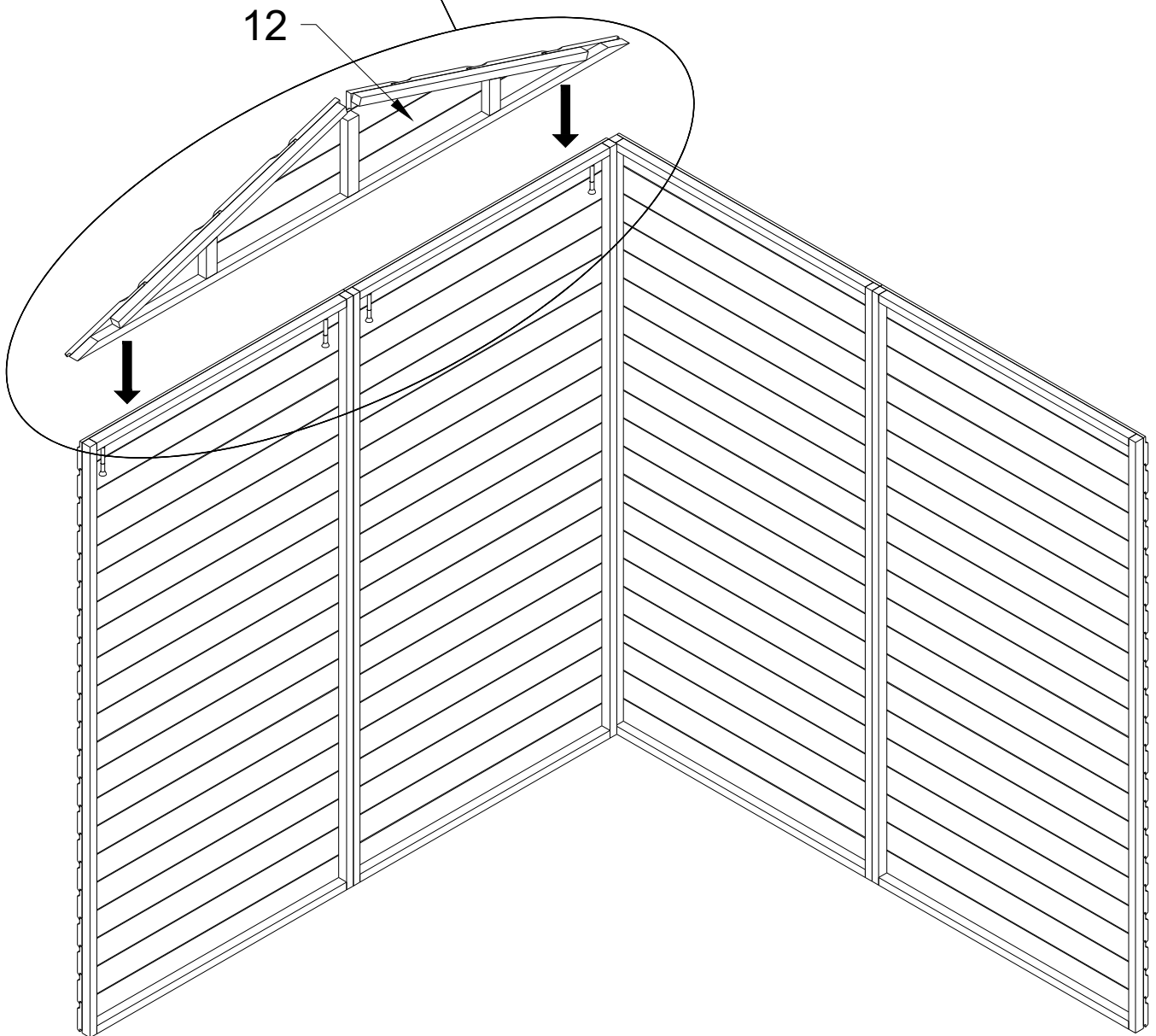
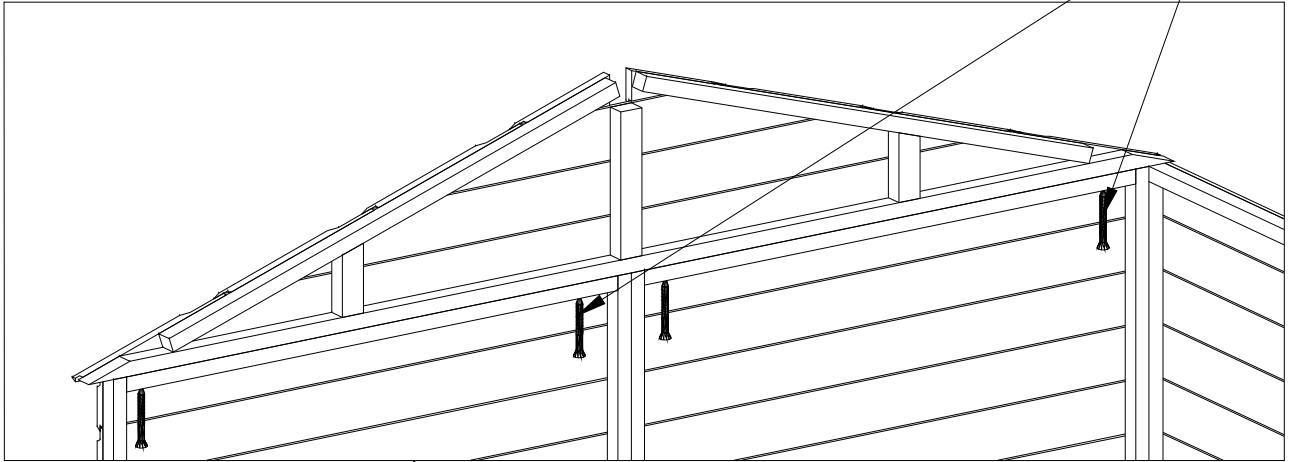
A<sub>x12</sub>

2

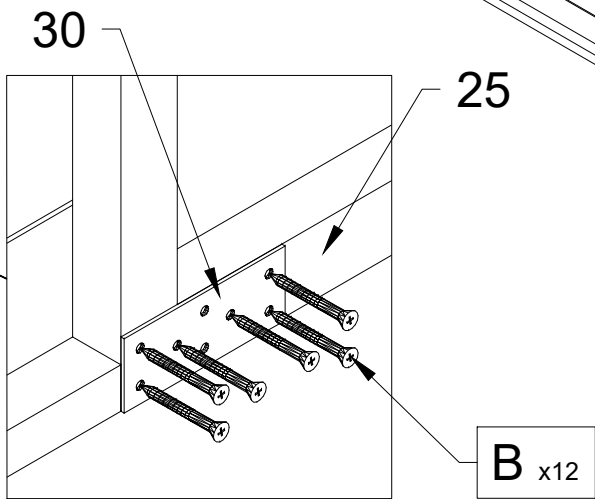
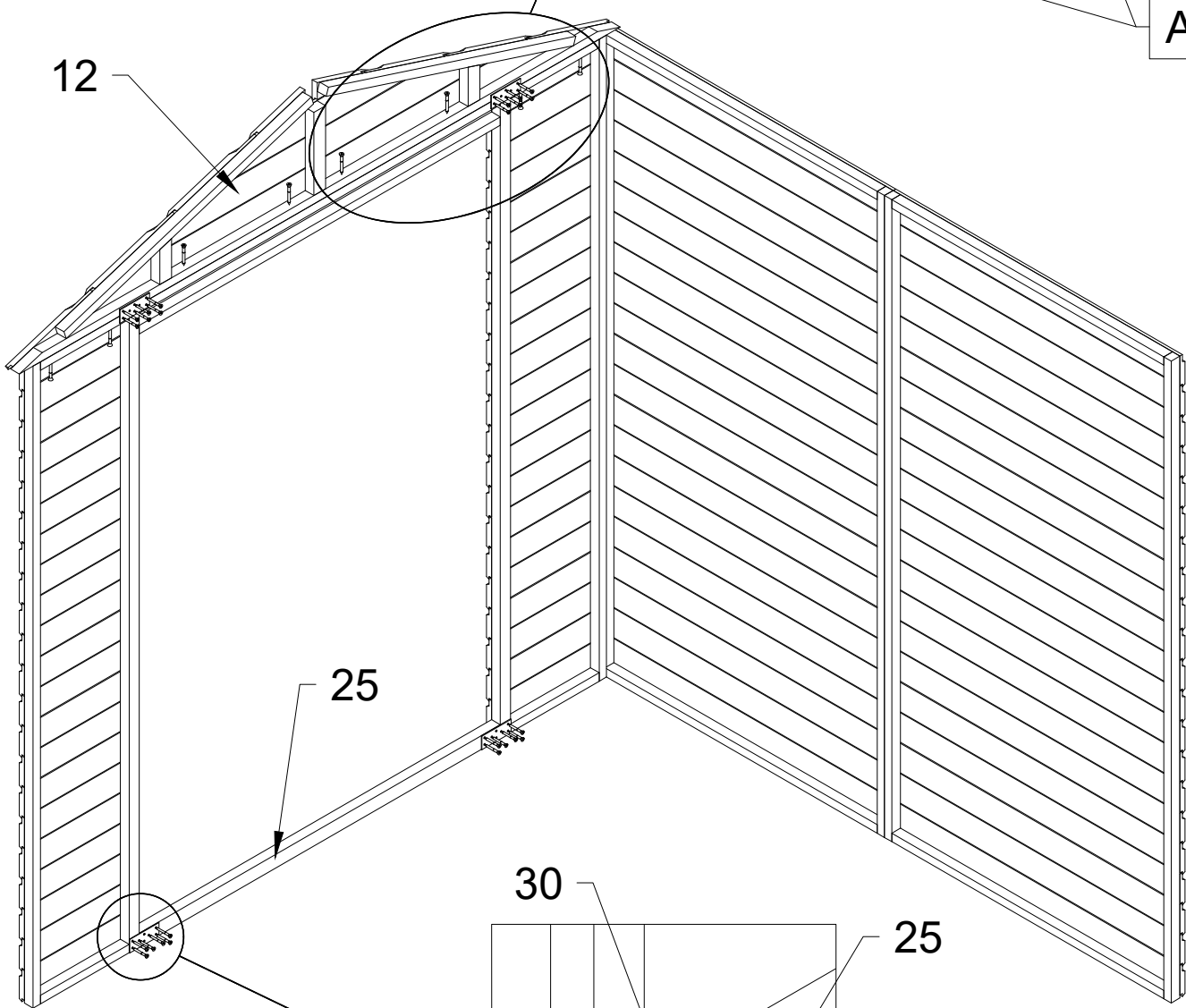
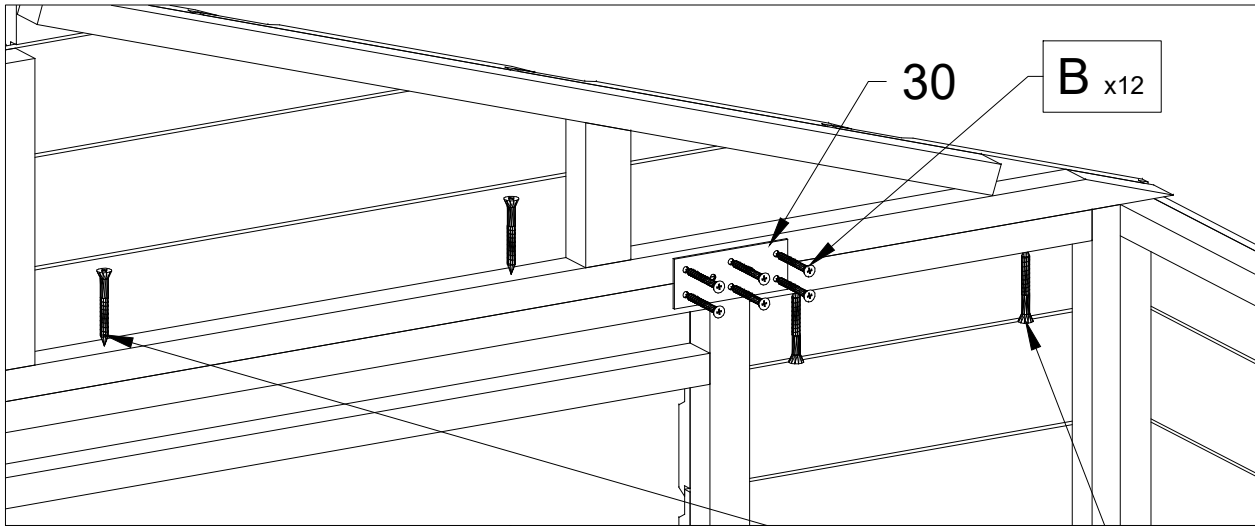


3

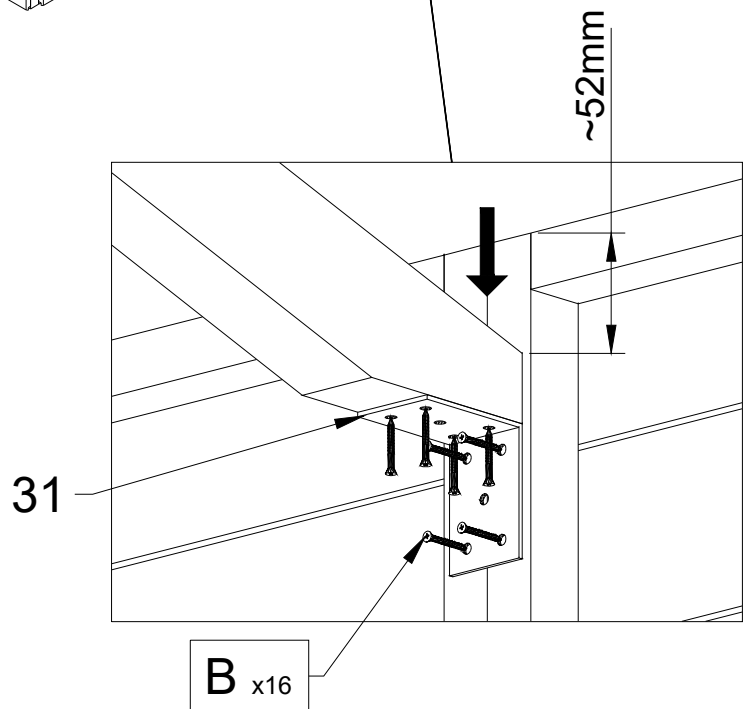
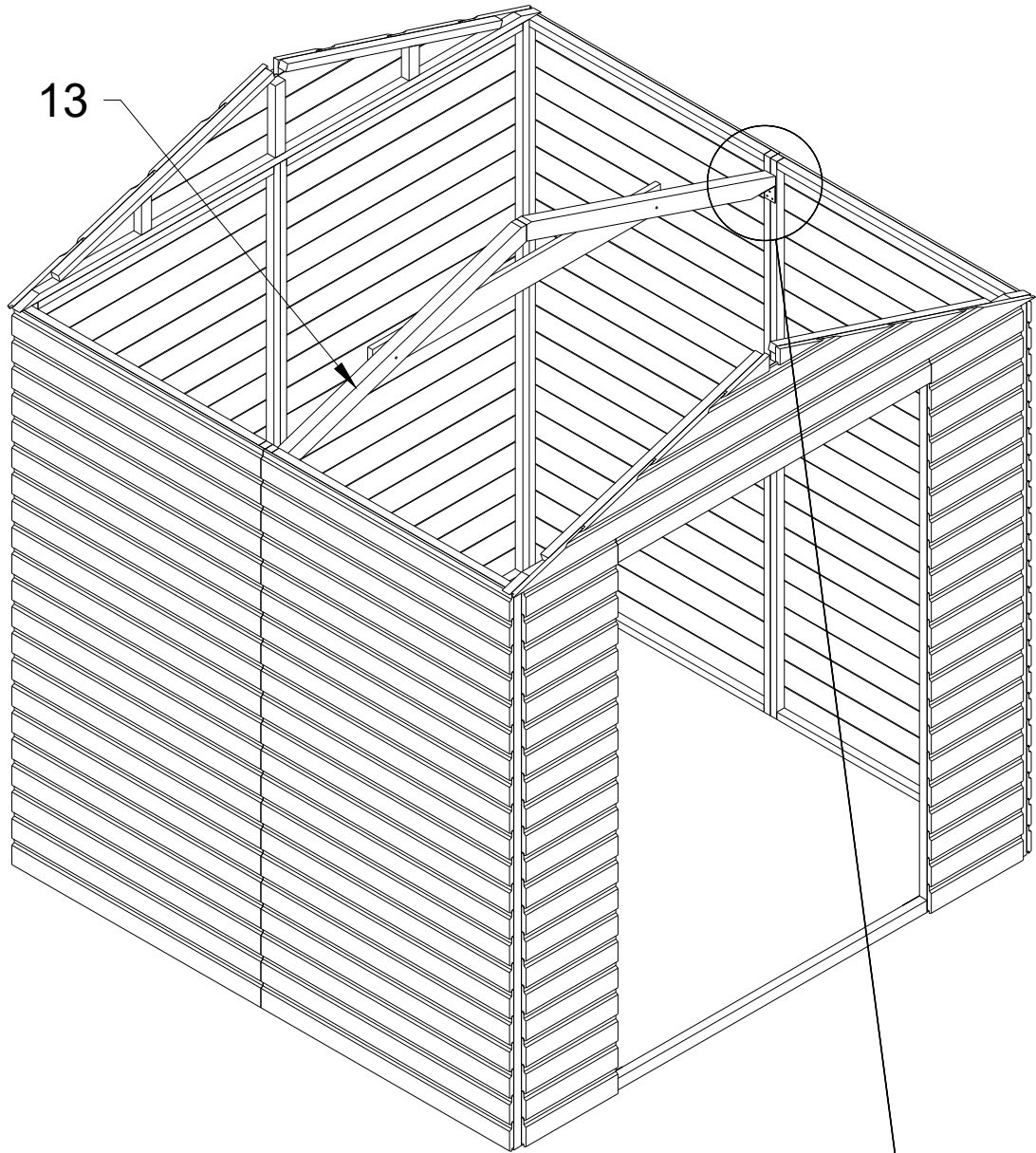
A<sub>x4</sub>



4

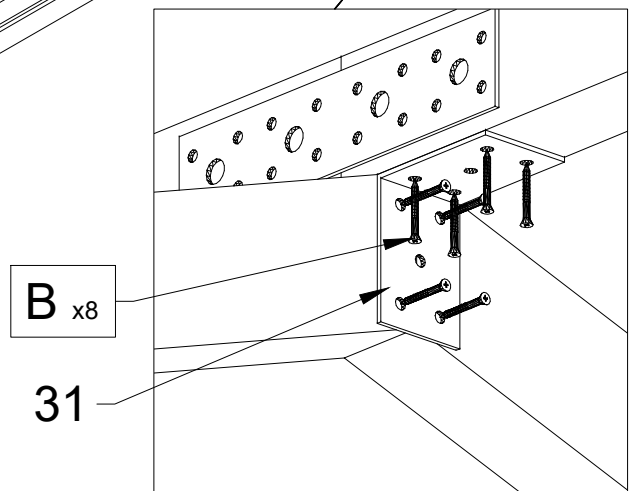
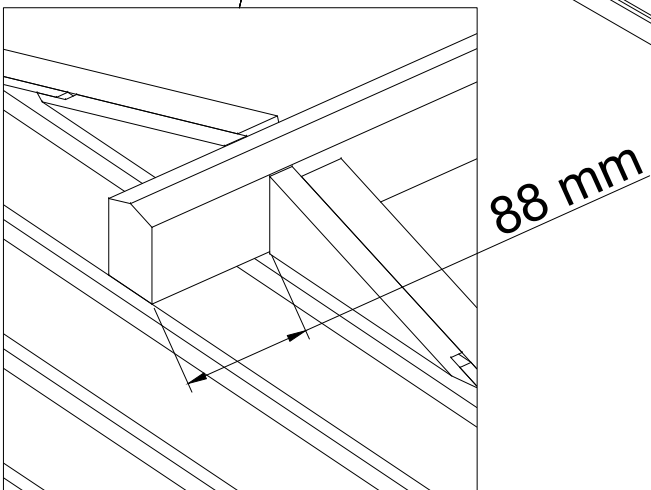
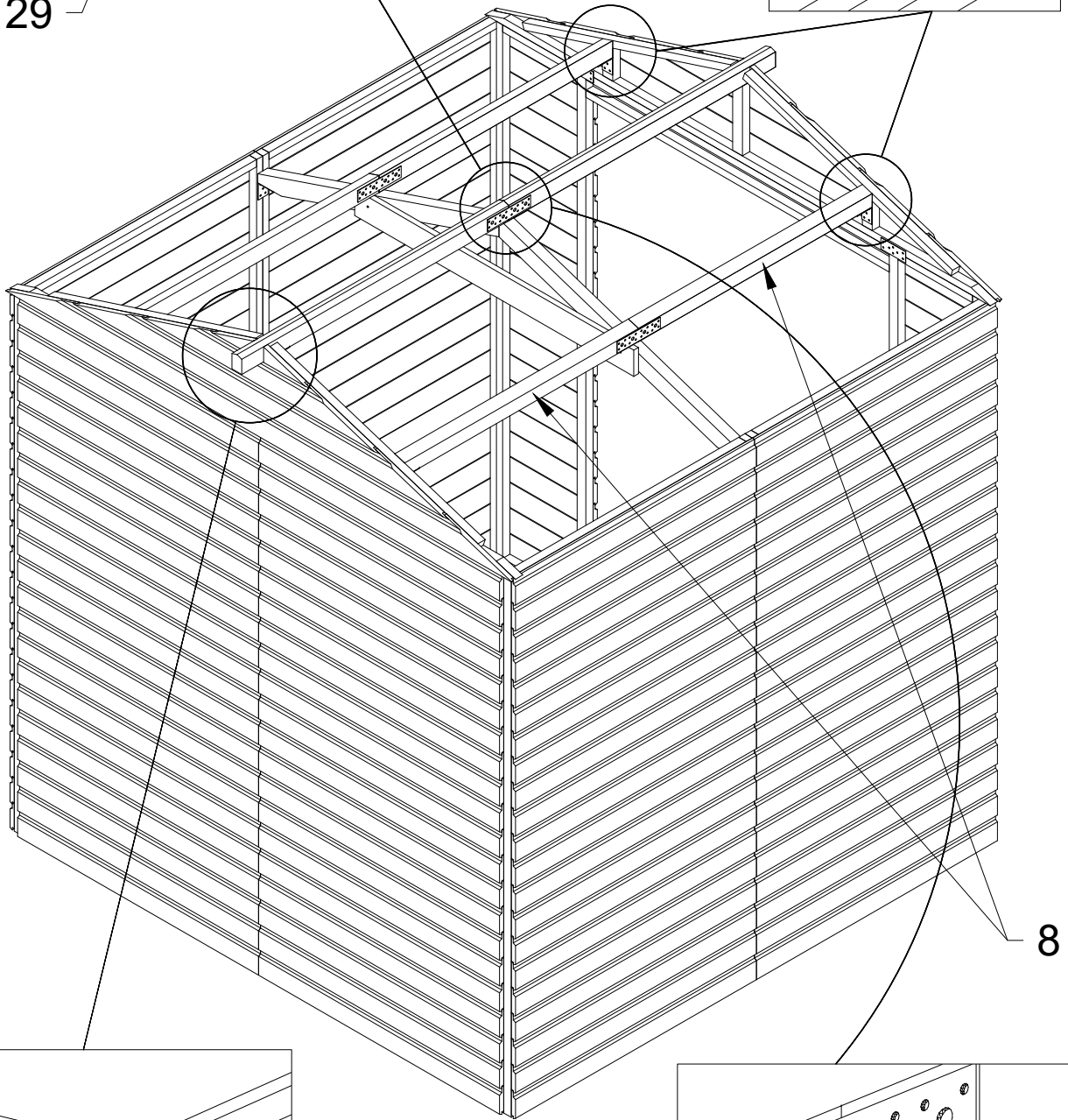
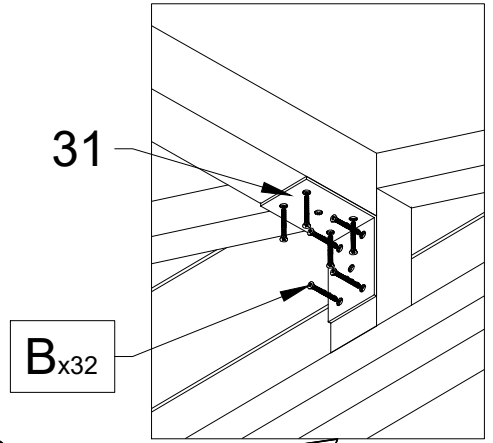
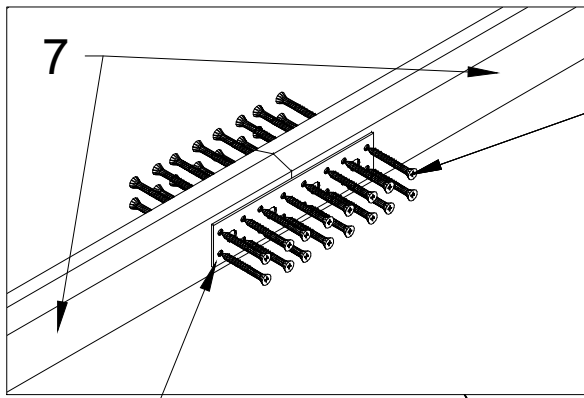


5

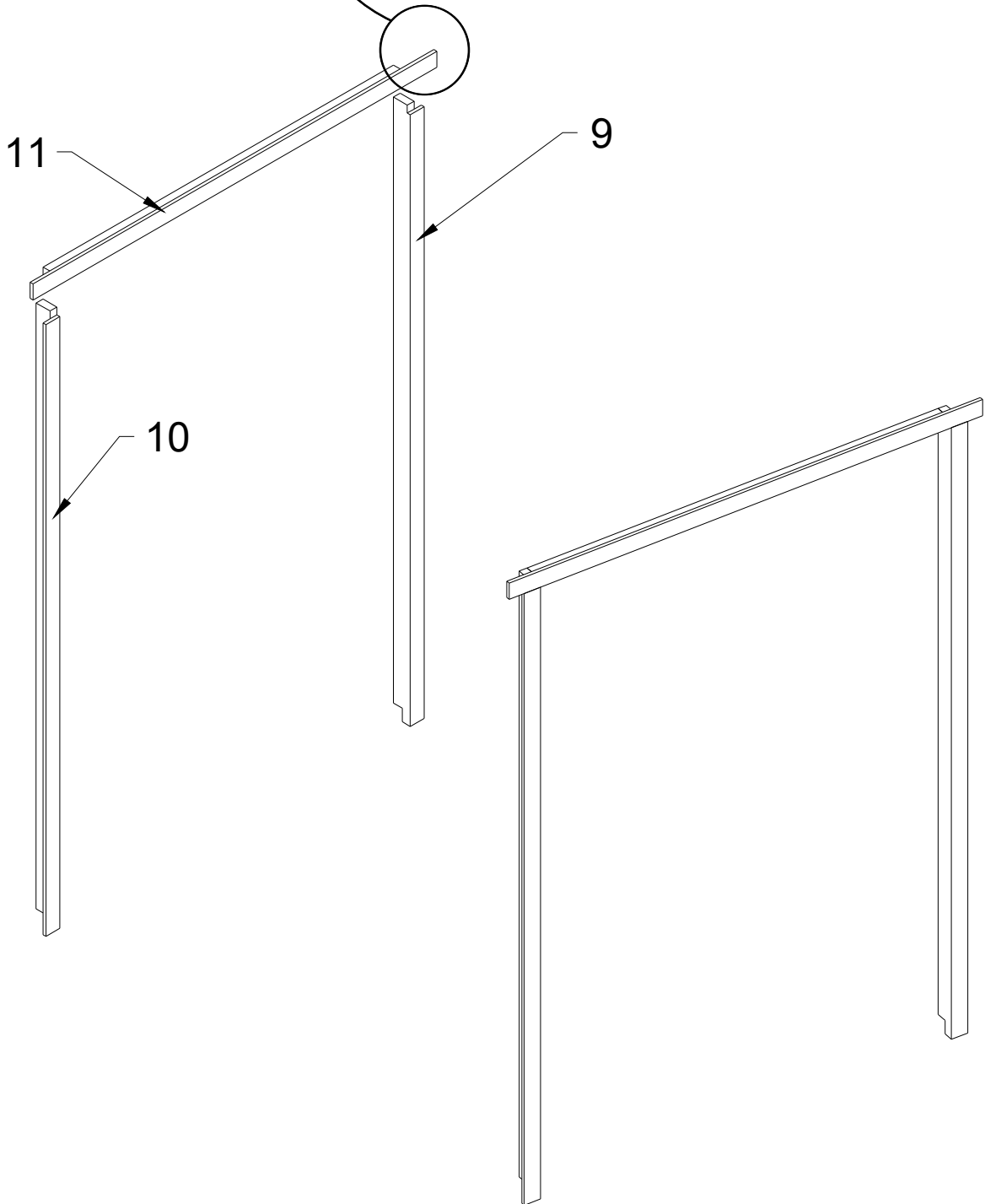
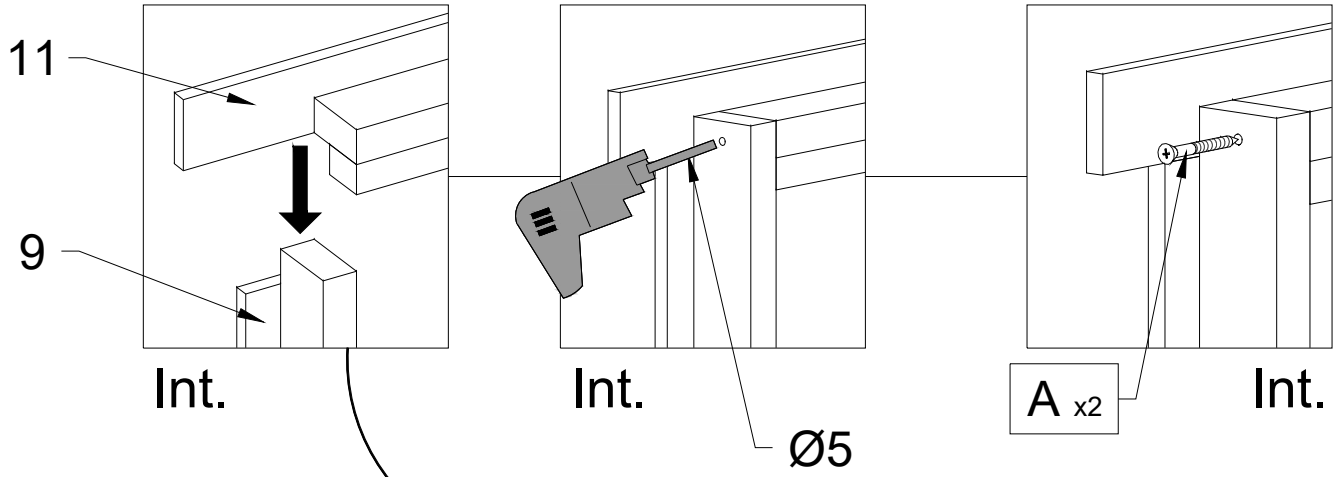




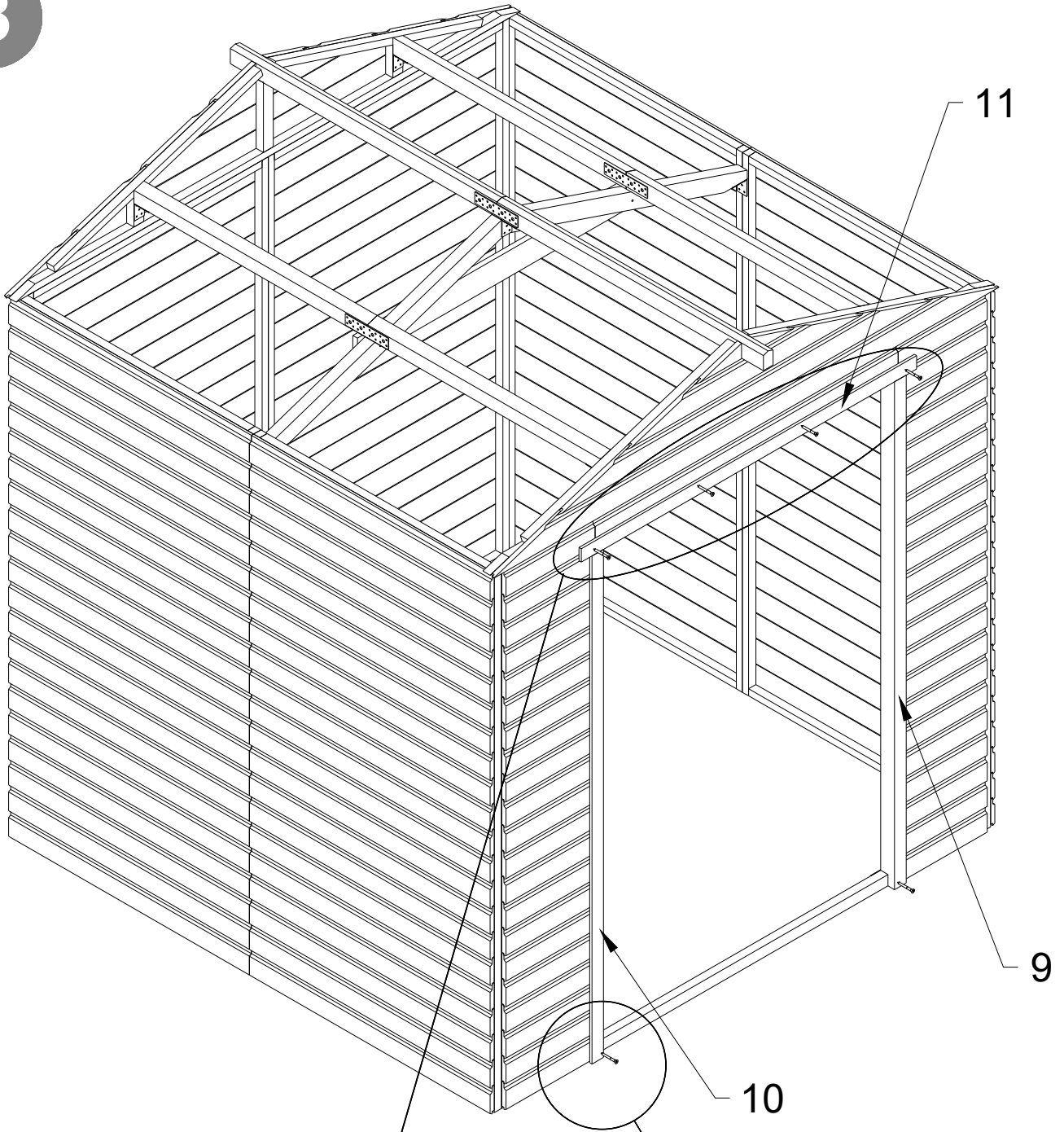
6



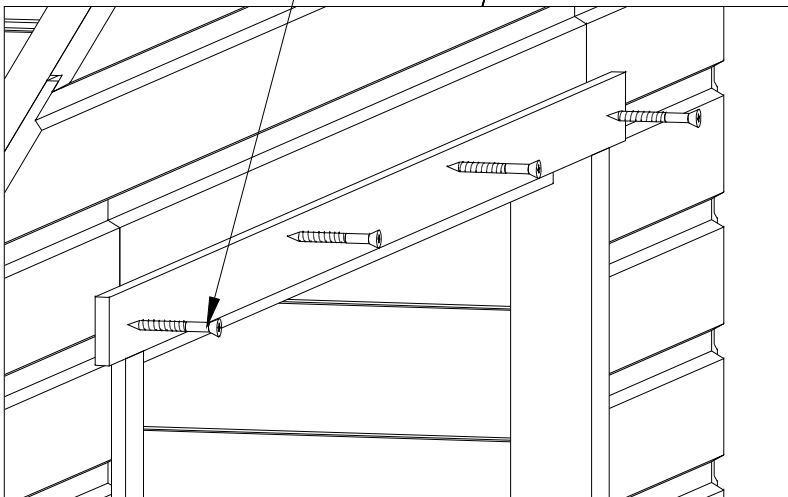
7



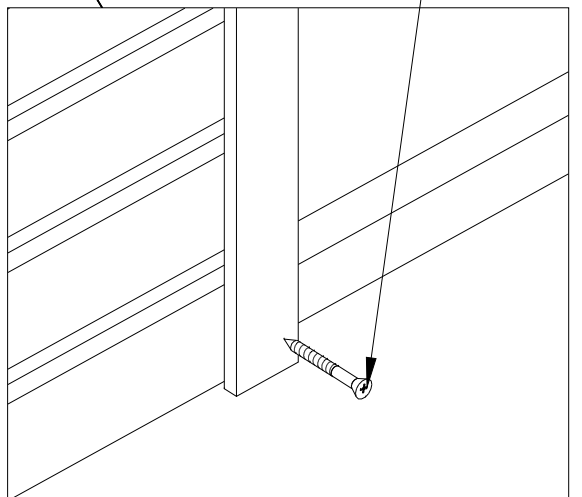
8



A x4



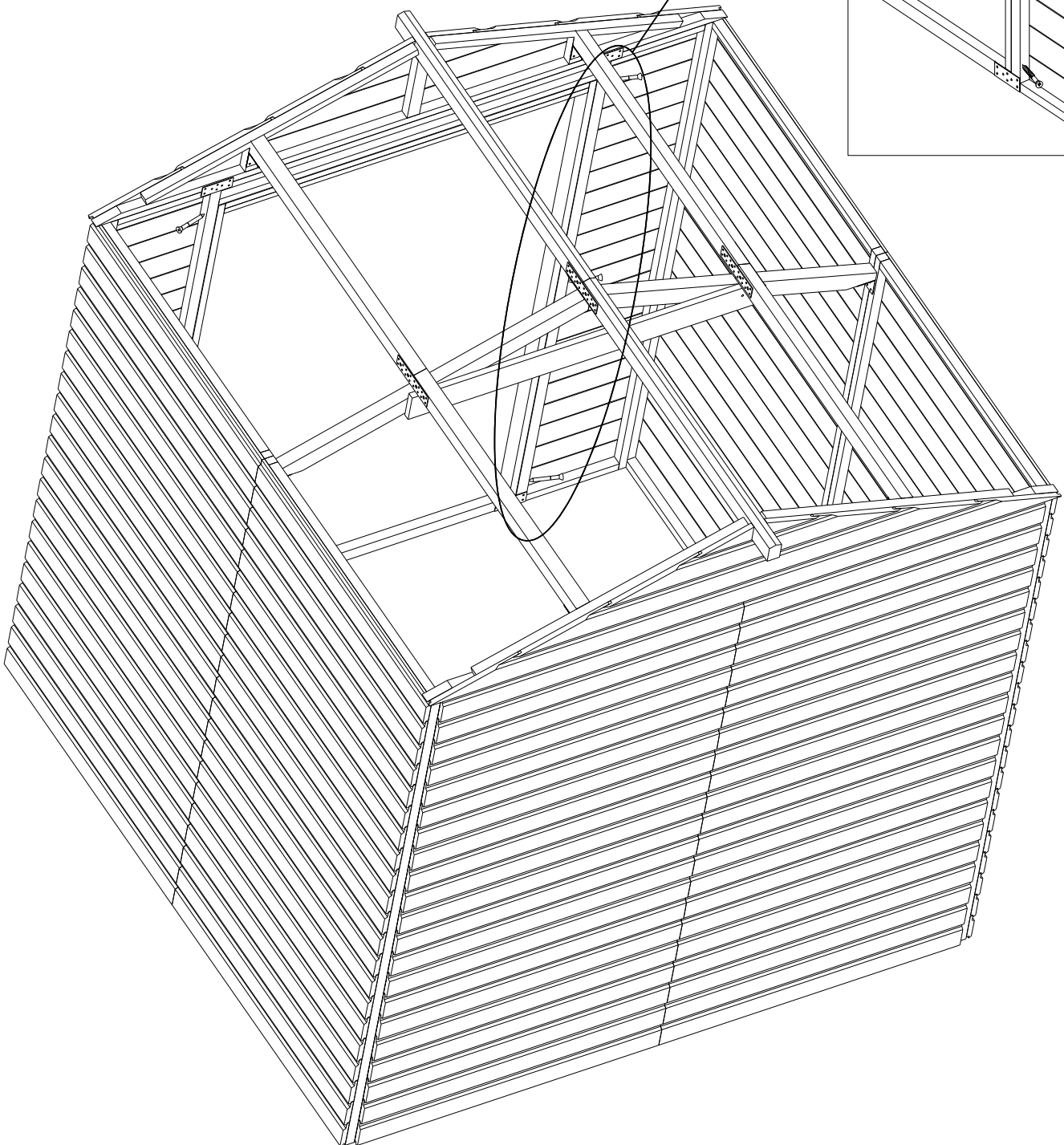
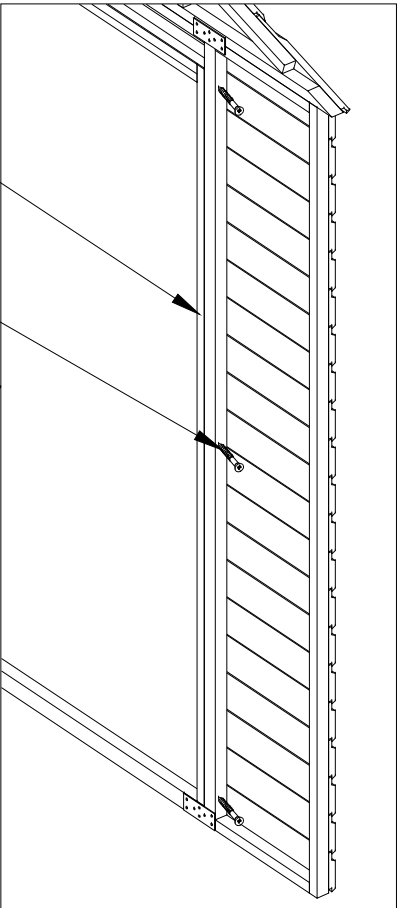
A x2



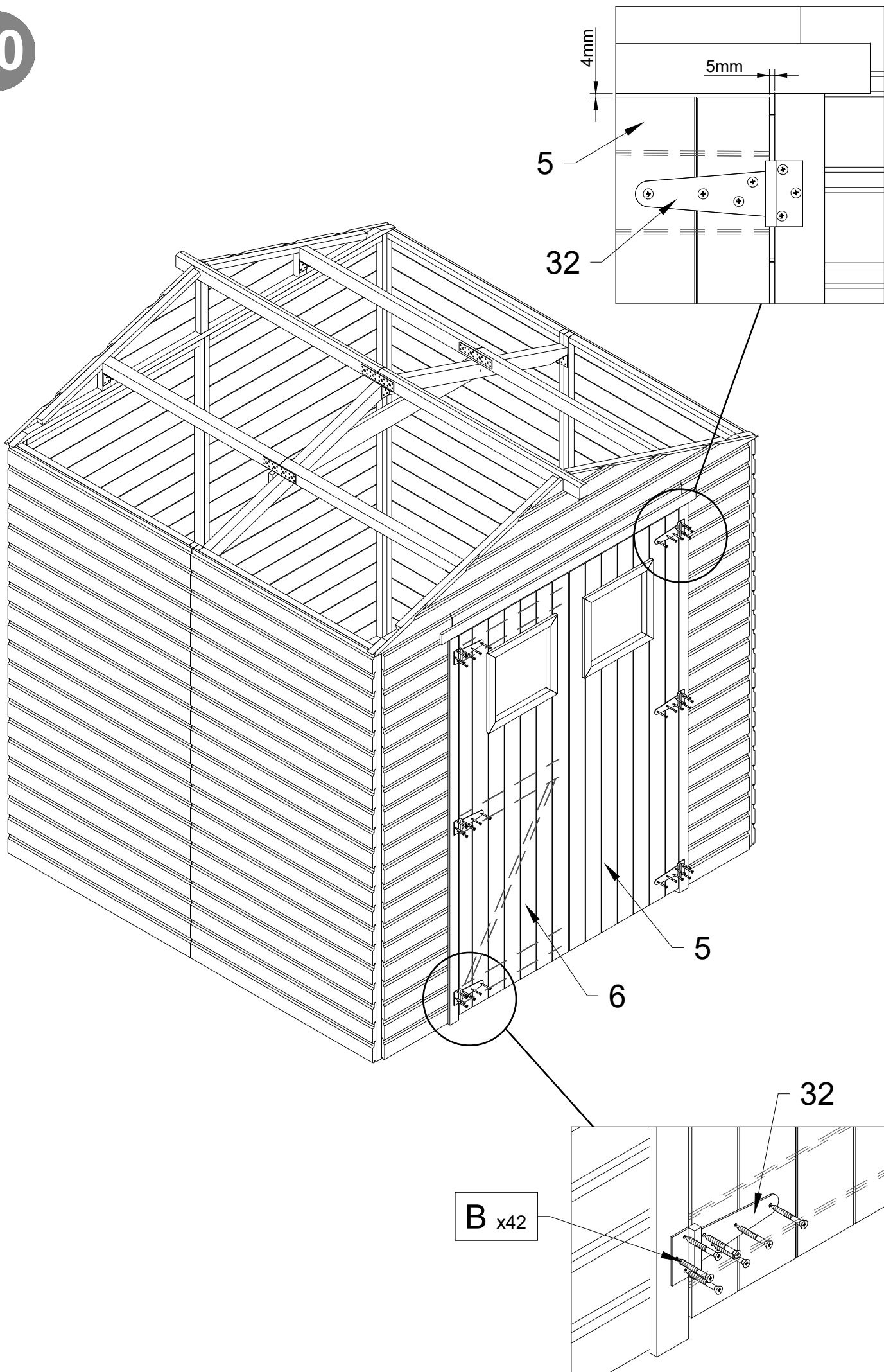
9

10

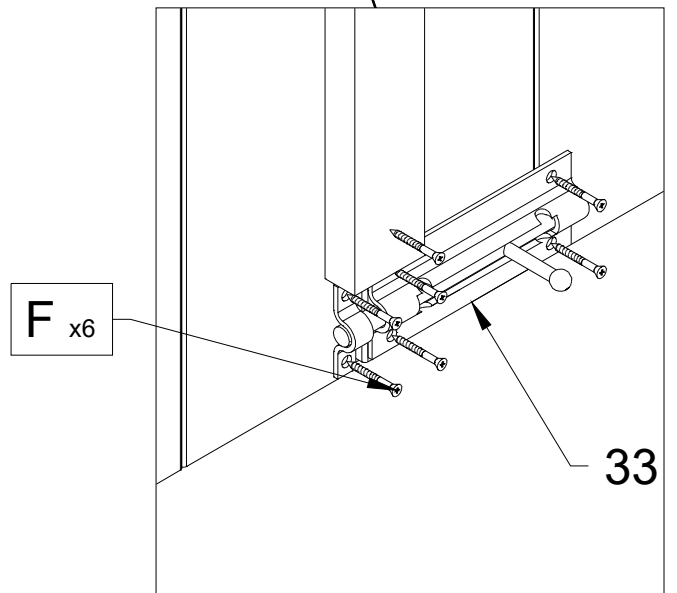
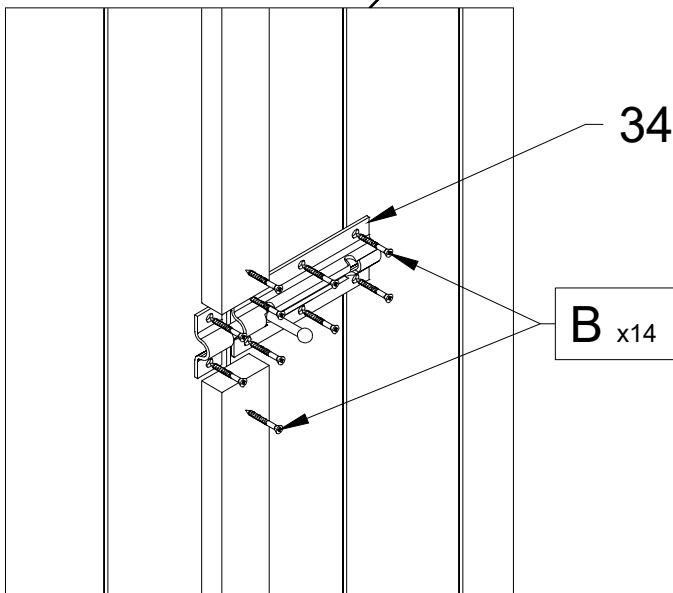
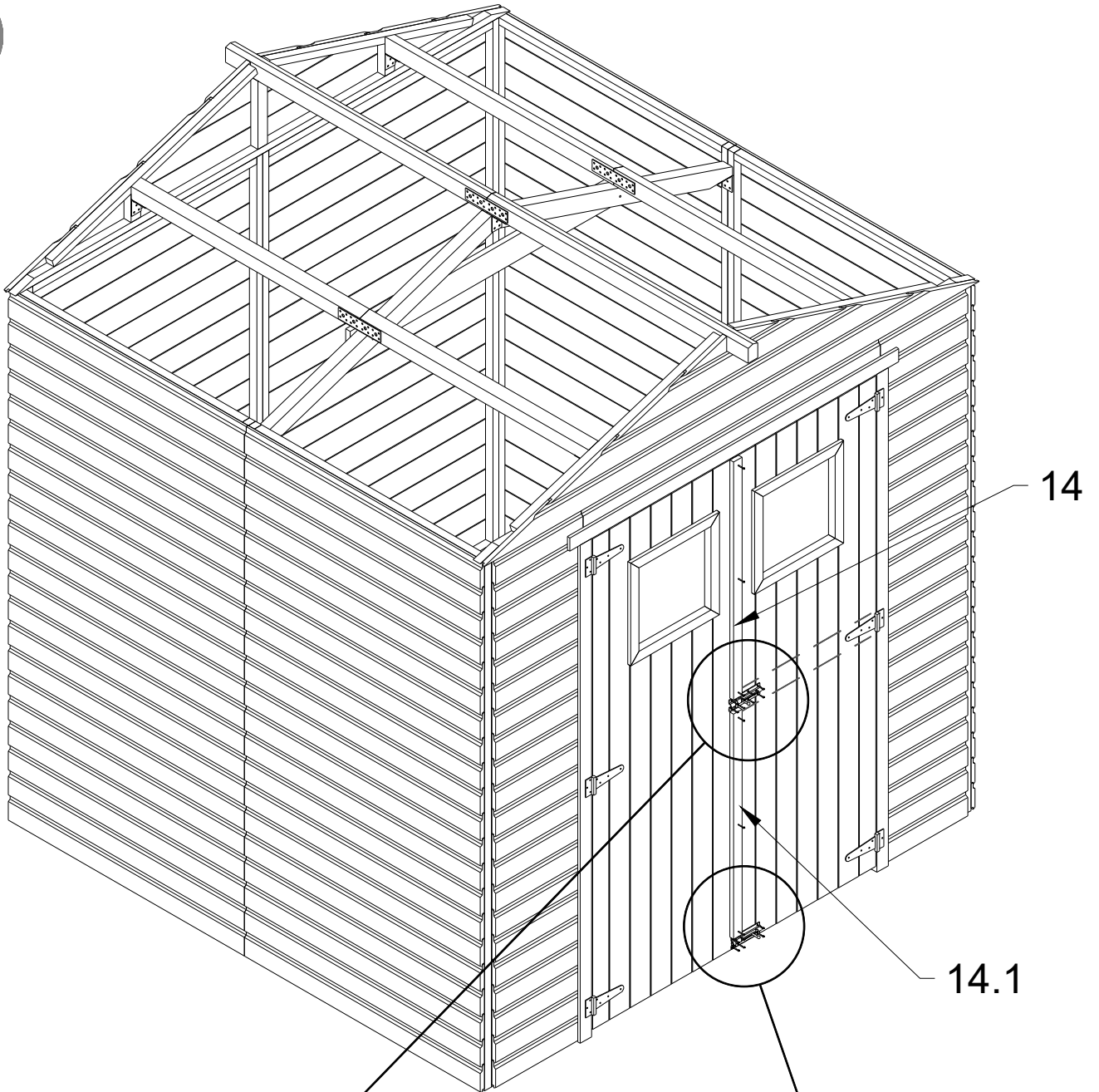
A x6



10



11



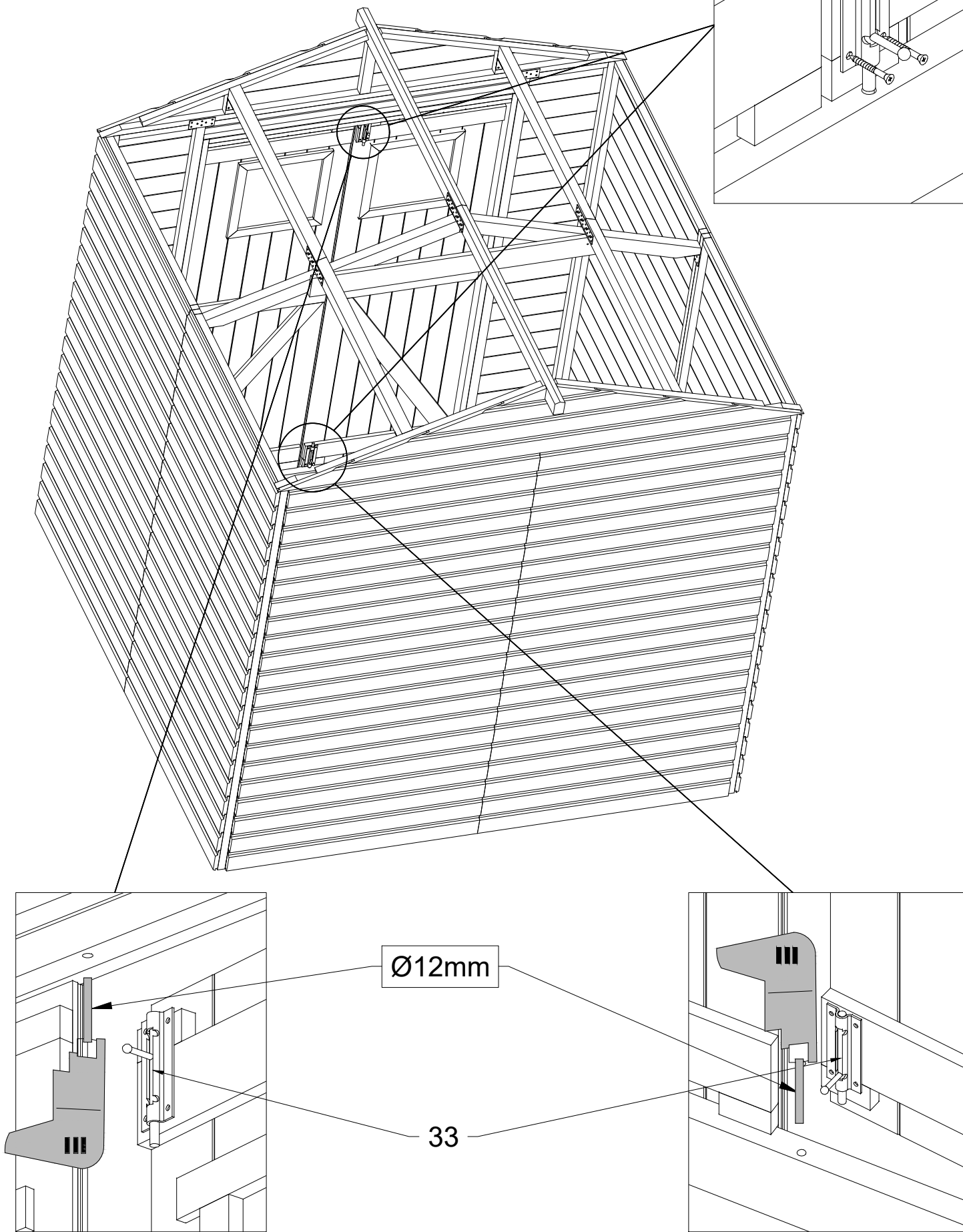
12

B x8

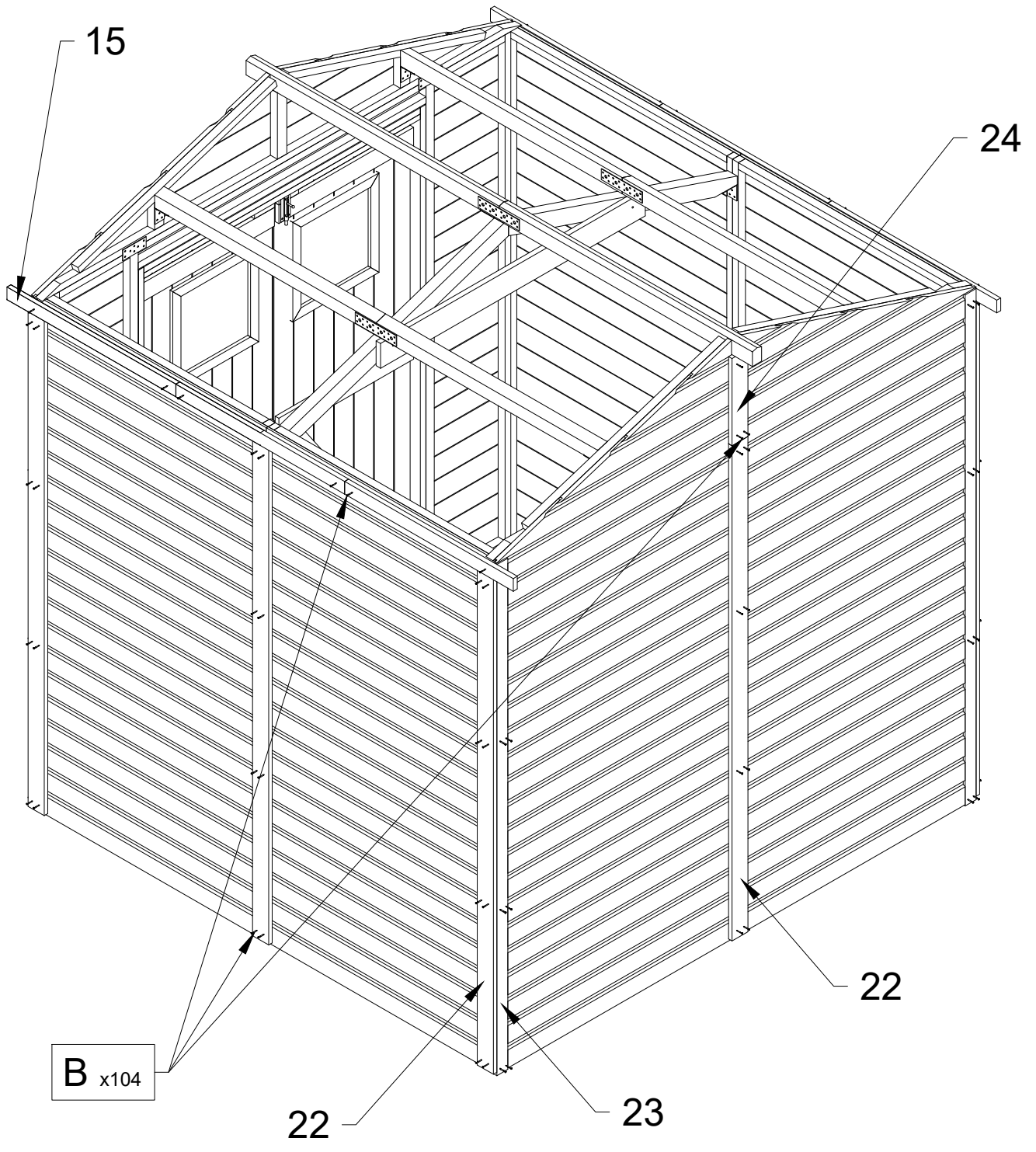
33

Ø12mm

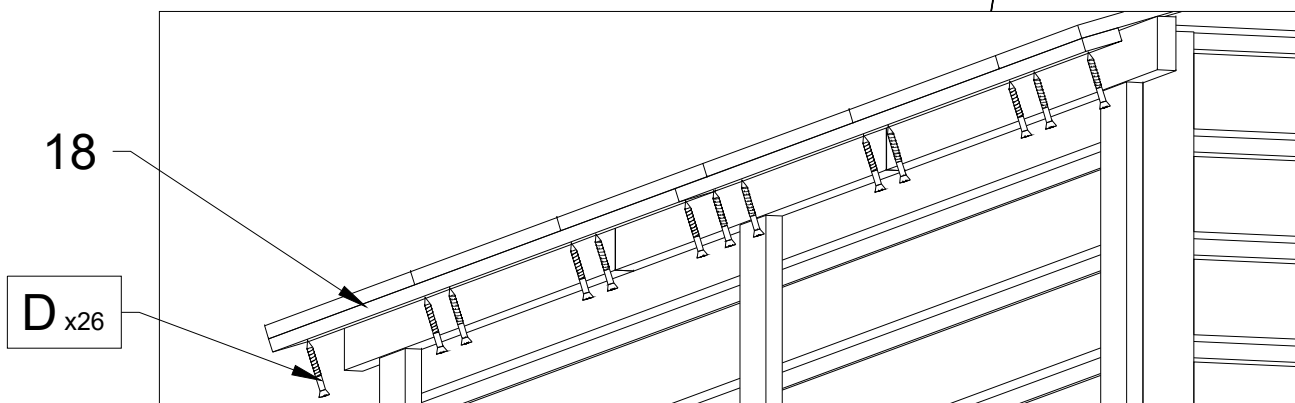
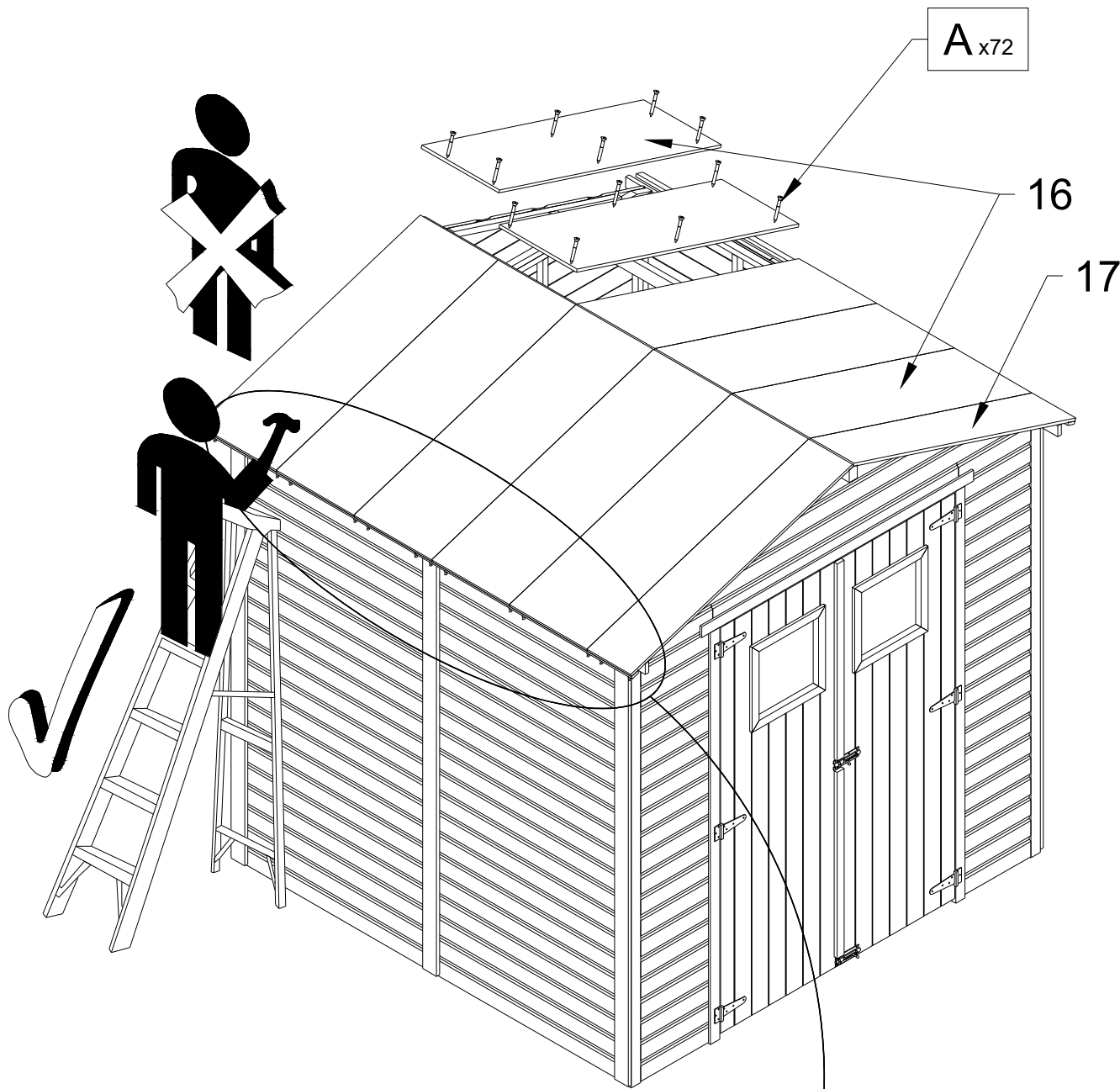
33



13



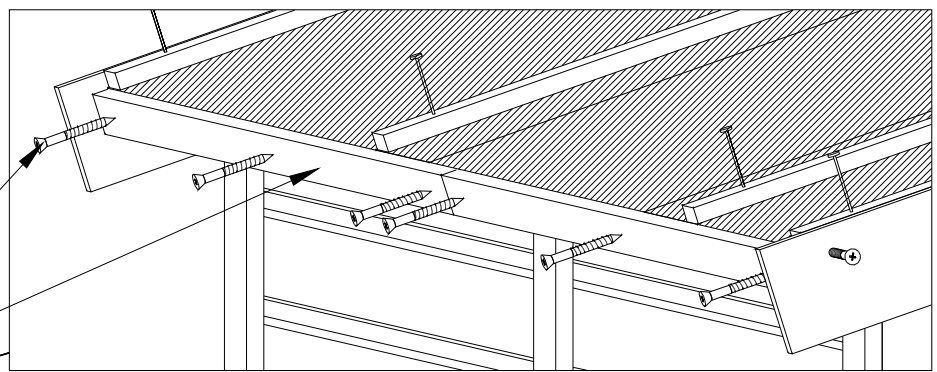




15

B x12

26



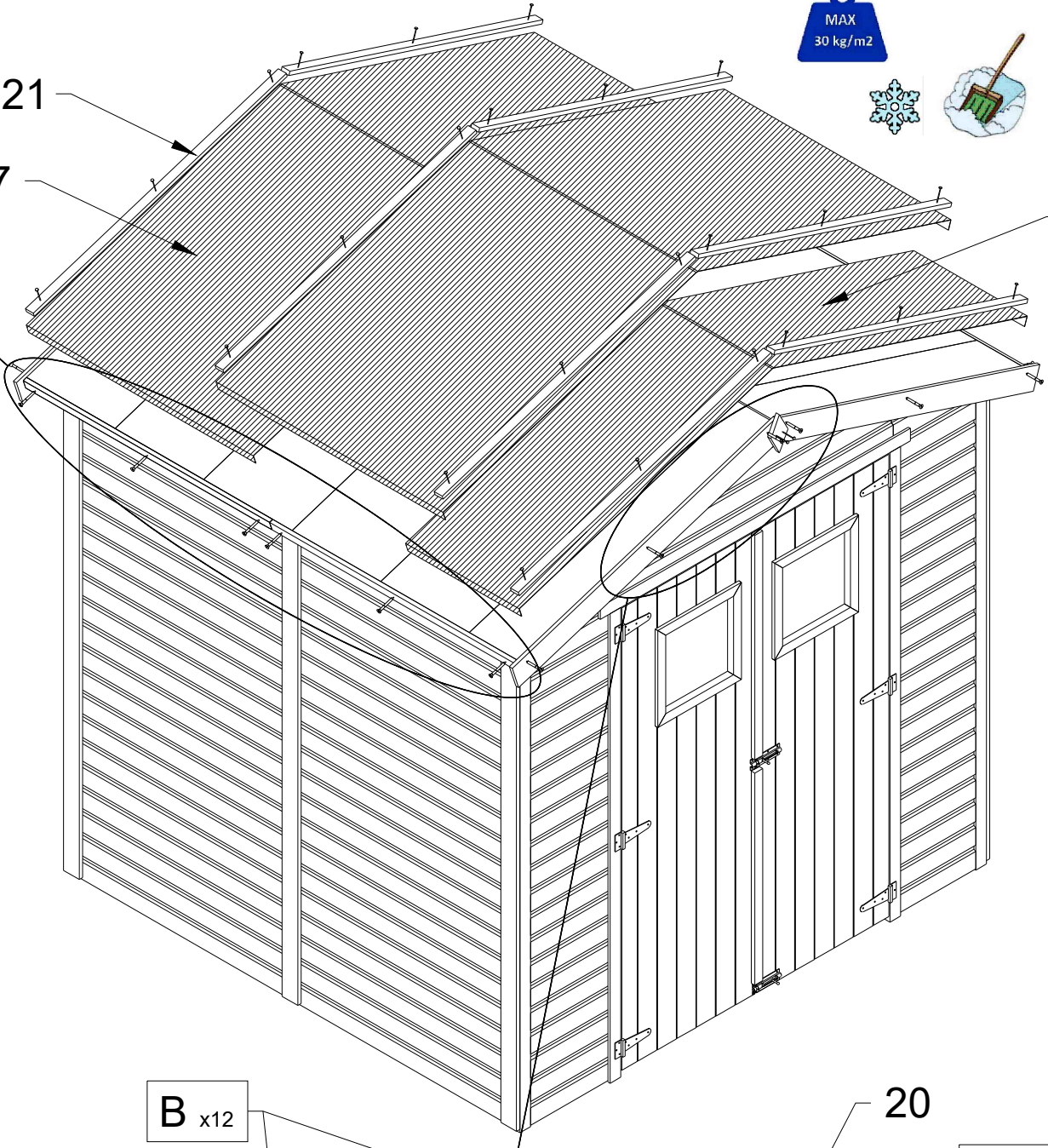
MAX  
30 kg/m<sup>2</sup>



21

27

28



B x12

20

C x28

19

