



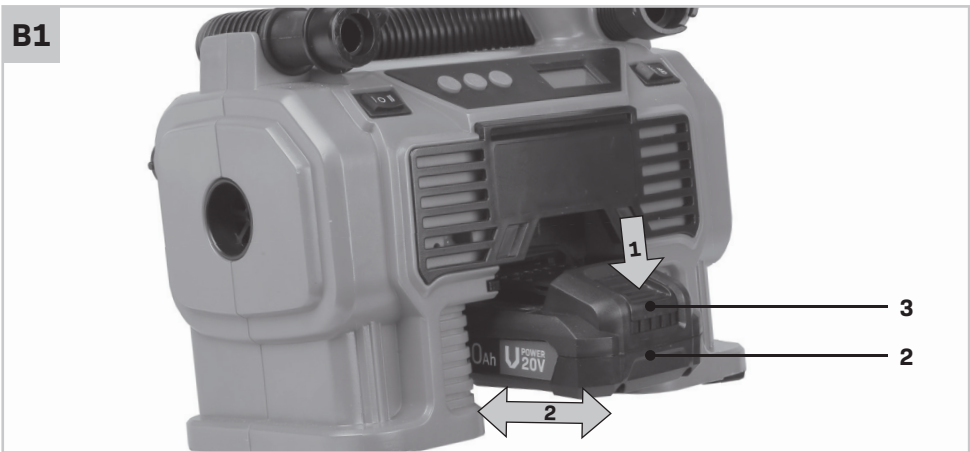
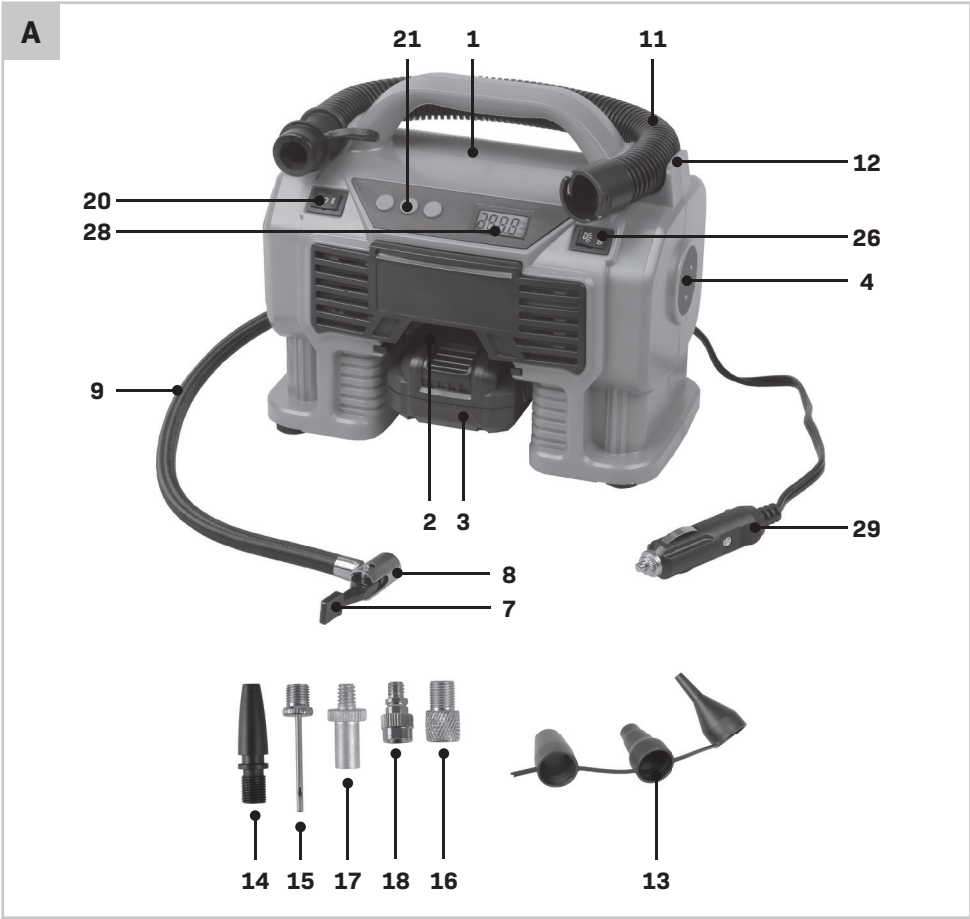
**VONROC®**

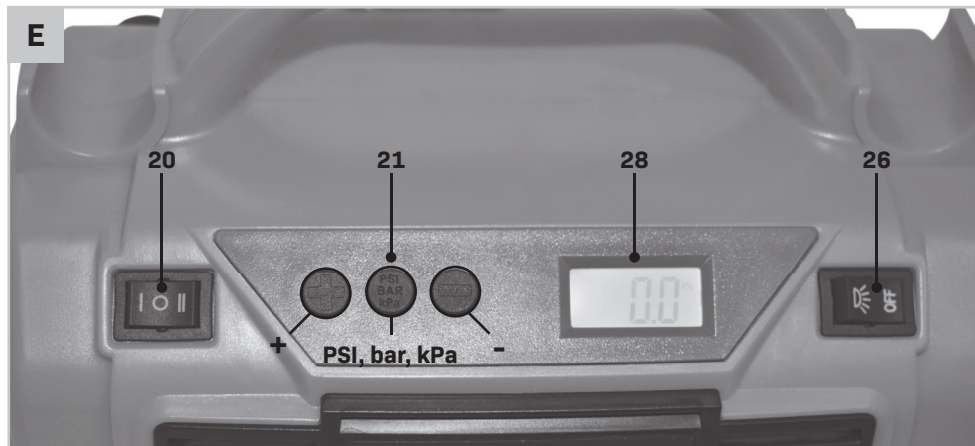
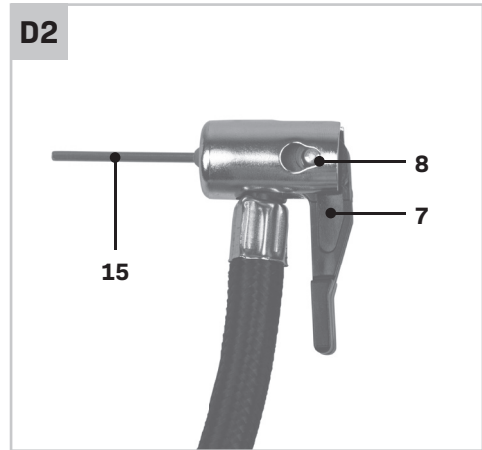
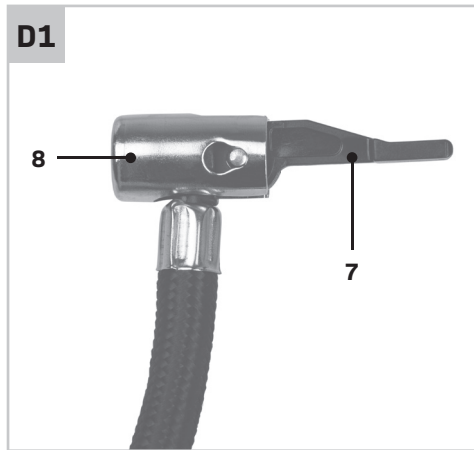
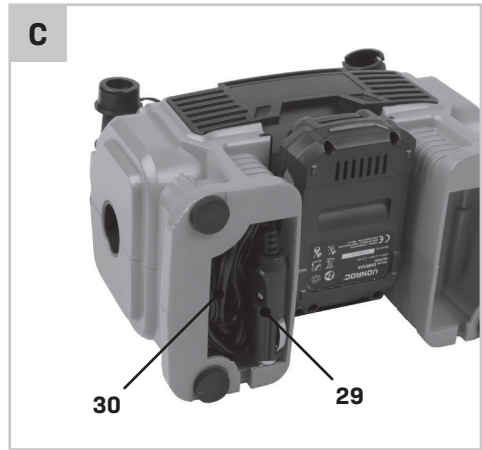
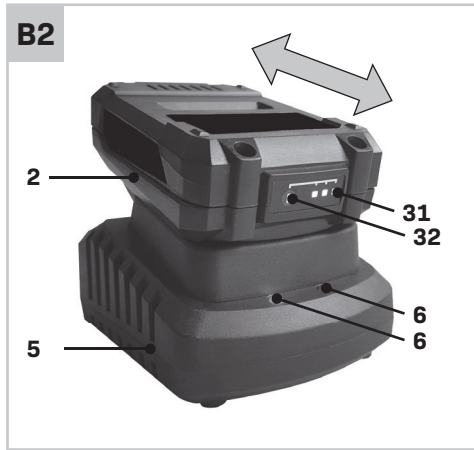
BUILD YOUR FUTURE

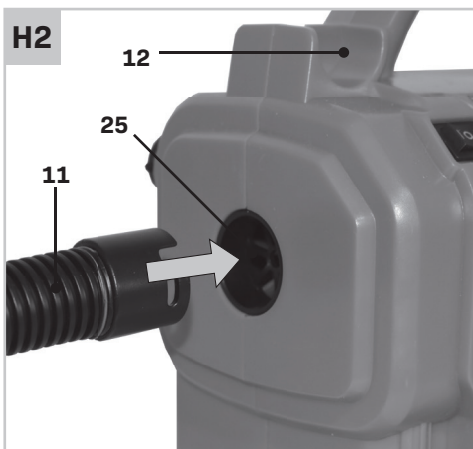
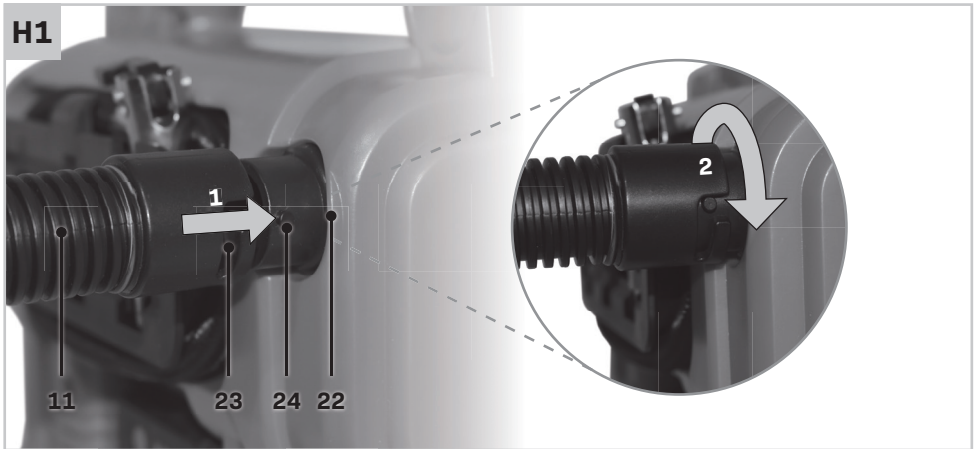
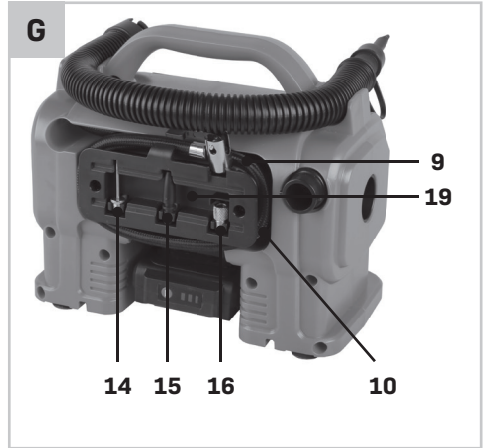
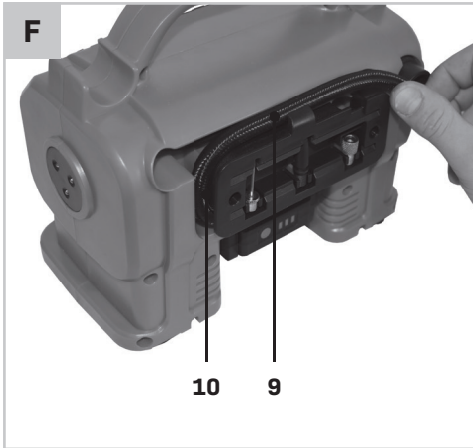
**CORDLESS COMPRESSOR  
CR503DC / S\_CDR03DC  
S2\_CR503DC / S3\_CR503DC**



<b>EN</b>	Original Instructions	05
<b>DE</b>	Übersetzung Der Originalbetriebsanleitung	14
<b>NL</b>	Vertaling van de oorspronkelijke gebruiksaanwijzing	25
<b>FR</b>	Traduction de la notice originale	36
<b>ES</b>	Traducción del manual original	46
<b>IT</b>	Traduzione delle istruzioni originali	56
<b>PL</b>	Tłumaczenie instrukcji oryginalnej	67
<b>TR</b>	Orijinal talimatların çevirisi	77







## 1. SAFETY INSTRUCTIONS

Read the enclosed safety warnings, the additional safety warnings and the instructions. Failure to follow the safety warnings and the instructions may result in electric shock, fire and/or serious injury. Save the safety warnings and the instructions for future reference.

The following symbols are used in the user manual or on the product:



Read the user manual.



Denotes risk of personal injury, loss of life or damage to the tool in case of nonobservance of the instructions in this manual.



Wear safety goggles.  
Wear hearing protection.



Do not use in rain.



Time-lag miniature fuse-link.



Max temperature 45 °C.



Do not throw the battery into fire.



Do not throw the battery into water.



Separate collection for Li-ion battery.



Do not dispose of the product in unsuitable containers.



The product is in accordance with the applicable safety standards in the European directives.

### GENERAL POWER TOOL SAFETY WARNINGS



**WARNING! Read all safety warnings and all instructions.** Failure to follow the warnings and instructions may result in electric shock, fire and/or serious injury.

**Save all warnings and instructions for future reference.**

The term "power tool" in the warnings refers to your mains-operated (corded) power tool or battery-operated (cordless) power tool.

- 1) **Work area safety**
  - a) **Keep the work area clean and well lit.** Cluttered or dark areas invite accidents.
  - b) **Do not operate power tools in explosive atmospheres, such as in the presence of flammable liquids, gases or dust.** Power tools create sparks which may ignite the dust or fumes.
  - c) **Keep children and bystanders away while operating a power tool.** Distractions can cause you to lose control.

### 2) Electrical safety

- a) **Power tool plugs must match the outlet. Never modify the plug in any way. Do not use any adapter plugs with earthed (grounded) power tools.** Unmodified plugs and matching outlets will reduce risk of electric shock.
- b) **Avoid body contact with earthed or grounded surfaces, such as pipes, radiators, ranges and refrigerators.** There is an increased risk of electric shock if your body is earthed or grounded.
- c) **Do not expose power tools to rain or wet conditions.** Water entering a power tool will increase the risk of electric shock.
- d) **Do not abuse the cord. Never use the cord for carrying, pulling or unplugging the power tool. Keep cord away from heat, oil, sharp edges or moving parts.** Damaged or entangled cords increase the risk of electric shock.
- e) **When operating a power tool outdoors, use an extension cord suitable for outdoor use.** Use of a cord suitable for outdoor use reduces the risk of electric shock.
- f) **If operating a power tool in a damp location is unavoidable, use a residual current device (RCD) protected supply.** Use of an RCD reduces the risk of electric shock.

### 3) Personal safety

- a) **Stay alert, watch what you are doing and use common sense when operating a power tool. Do not use a power tool while you are tired or under the influence of drugs, alcohol or medication.** A moment of inattention while operating power tools may result in serious personal injury.
- b) **Use personal protective equipment. Always wear eye protection.** Protective equipment such as dust mask, non-skid safety shoes, hard hat, or hearing protection used for appropriate conditions will reduce personal injuries.
- c) **Prevent unintentional starting. Ensure the**

**switch is in the off-position before connecting to power source and/or battery pack, picking up or carrying the tool.** Carrying power tools with your finger on the switch or energising power tools that have the switch on invites accidents.

- d) **Remove any adjusting key or wrench before turning the power tool on.** A wrench or a key left attached to a rotating part of the power tool may result in personal injury.
  - e) **Do not overreach. Keep proper footing and balance at all times.** This enables better control of the power tool in unexpected situations.
  - f) **Dress properly. Do not wear loose clothing or jewellery. Keep your hair, clothing and gloves away from moving parts.** Loose clothes, jewellery or long hair can be caught in moving parts.
  - g) **If devices are provided for the connection of dust extraction and collection facilities, ensure these are connected and properly used.** Use of dust collection can reduce dust related hazards.
  - h) **Do not let familiarity gained from frequent use of tools allow you to become complacent and ignore tool safety principles.** A careless action can cause severe injury within a fraction of a second.
- 4) Power tool use and care**
- a) **Do not force the power tool. Use the correct power tool for your application.** The correct power tool will do the job better and safer at the rate for which it was designed.
  - b) **Do not use the power tool if the switch does not turn it on and off.** Any power tool that cannot be controlled with the switch is dangerous and must be repaired.
  - c) **Disconnect the plug from the power source and/or the battery pack from the power tool before making any adjustments, changing accessories, or storing power tools.** Such preventive safety measures reduce the risk of starting the power tool accidentally.
  - d) **Store idle power tools out of the reach of children and do not allow persons unfamiliar with the power tool or these instructions to operate the power tool.** Power tools are dangerous in the hands of untrained users.
  - e) **Maintain power tools. Check for misalignment or binding of moving parts, breakage of parts and any other condition that may affect the power tool's operation. If damaged, have the power tool repaired before use.** Many accidents are caused by poorly maintained power tools.

- f) **Keep cutting tools sharp and clean.** Properly maintained cutting tools with sharp cutting edges are less likely to bind and are easier to control.
- g) **Use the power tool, accessories and tool bits etc. in accordance with these instructions, taking into account the working conditions and the work to be performed.** Use of the power tool for operations different from those intended could result in a hazardous situation.
- h) **Keep handles and grasping surfaces dry, clean and free from oil and grease.** Slippery handles and grasping surfaces do not allow for safe handling and control of the tool in unexpected situations.

#### **5) Battery tool use and care**

- a) **Recharge only with the charger specified by the manufacturer.** A charger that is suitable for one type of battery pack may create a risk of fire when used with another battery pack.
- b) **Use power tools only with specifically designed battery packs.** Use of any other battery packs may create a risk of injury and fire.
- c) **When battery pack is not in use, keep it away from other metal objects, like paper clips, coins, keys, nails, screws or other small metal objects that can make a connection from one terminal to another.** Shorting the battery terminals together may cause burns or a fire.
- d) **Under abusive conditions, liquid may be ejected from the battery; avoid contact. If contact accidentally occurs, flush with water. If liquid contacts eyes, additionally seek medical help.** Liquid ejected from the battery may cause irritation or burns.
- e) **Do not use a battery pack or tool that is damaged or modified.** Damaged or modified batteries may exhibit unpredictable behaviour resulting in fire, explosion or risk of injury.
- f) **Do not expose a battery pack or tool to fire or excessive temperature.** Exposure to fire or temperature above 130 °C may cause explosion. NOTE The temperature „130 °C“ can be replaced by the temperature „265 °F“.
- g) **Follow all charging instructions and do not charge the battery pack or tool outside the temperature range specified in the instructions.** Charging improperly or at temperatures outside the specified range may damage the battery and increase the risk of fire.

**6) Service**

- a) **Have your power tool serviced by a qualified repair person using only identical replacement parts.** This will ensure that the safety of the power tool is maintained.
- b) **Never service damaged battery packs.** Service of battery packs should only be performed by the manufacturer or authorized service providers.

**ADDITIONAL SAFETY WARNINGS FOR CORDLESS AIR COMPRESSORS**

- **This appliance can be used by children aged from 8 years and above and persons with reduced physical, sensory or mental capabilities or lack of experience and knowledge if they have been given supervision or instruction concerning use of the appliance in a safe way and understand the hazards involved.**
- **Children shall not play with the appliance. Cleaning and user maintenance shall not be made by children without supervision.**
- Risk of bursting - do not adjust regulator higher than marked maximum pressure of attachment.
- Risk of injury - do not direct air stream at people or animals.
- Do not use to supply breathing air.
- Do not leave compressor unattended for an extended period while powered. Disconnect power from compressor after working.
- Keep compressor well-ventilated. Do not cover compressor during use.
- Do not remove the valve cover or adjust internal components.
- Do not use the air hose to move the compressor.
- The use of accessories or attachments not recommended by the manufacturer may result in a risk of injury to persons.
- All air line components, including hoses, pipe, connectors, filters, etc., must be rated for a minimum working pressure of 160 PSI, or 150% of the maximum system pressure, whichever is greater.
- Maintain labels and nameplates on the compressor. These carry important safety information.
- This product is not a toy. Keep it out of reach of children.
- Wear EN-approved safety goggles and heavy-duty work gloves during use.
- Do not expose to rain or wet conditions.

- People with pacemakers should consult their physician(s) before use. Electromagnetic fields in close proximity to heart pacemaker could cause pacemaker interference or pacemaker failure.
- Do not leave the tool unattended when the Battery Pack is connected. Turn off the tool, and remove the Battery Pack before leaving.
- Within the work area the user is responsible for damages incurred by third party caused by the use of this device.
- Never aim the device at yourself or others during use, particularly eyes and ears. There is a danger of injury!
- Never clean your clothes with the compressed air.
- Never leave the device unattended during operation and follow the inflating instructions of the inflatable.
- The inflatable may burst and cause serious injuries.
- The warnings, precautions, and instructions discussed in this instruction manual cannot cover all possible conditions and situations that may occur. It must be understood by the operator that common sense and caution are factors which cannot be built into this product, but must be supplied by the operator.

**SAFETY USING THE CORDLESS AIR COMPRESSOR**

*CAUTION: How to avoid damage to the device and potential subsequent personal injury:*

- Do not use the device whilst driving.
- Check the device for damage before use and only use in good working condition.
- Do not expose the device to rain or humid weather conditions and do not allow it to come into contact with water. There is a risk of electric shock!
- Keep all openings on the device clear during operation. Do not close the openings with your hands or fingers, and do not cover the device. There is a risk of overheating!
- Do not leave the device in the car in hot outdoor temperature.
- The device could be damaged beyond repair.
- The device will heat up during operation. Touching hot surfaces poses a risk of burns.



- Do not allow sand, dust or other small particles to enter the air intake or air outlet openings.
- Do not use the device near flammable liquids or gasses. Do not suction hot steam. Failure to observe these instructions poses a risk of fire or explosion!
- Switch off the device and remove battery:
  - when the device is not in use;
  - when leaving the device unattended;
  - for cleaning or maintenance;
  - if foreign objects enter the device or you notice unusual noise.
- Only use accessories supplied and recommended by the manufacturer.
- Do not attempt to repair the device yourself.

### SAFETY WARNINGS FOR BATTERY

- a) **Do not open the battery.** Danger of short-circuiting.
- b) **Protect the battery against heat, e. g., against continuous intense sunlight, fire, water, and moisture.** Danger of explosion.
- c) **In case of damage and improper use of the battery, vapours may be emitted. Ventilate the area and seek medical help in case of complaints.** The vapours can irritate the respiratory system.
- d) **Use the battery only in conjunction with your Vonroc product.** This measure alone protects the battery against dangerous overload.
- e) **The battery can be damaged by pointed objects such as nails or screwdrivers or by force applied externally.** An internal short circuit can occur and the battery can burn, smoke, explode or overheat.

### SAFETY WARNINGS FOR CHARGER

#### Intended use

Charge only CD801AA and CD803AA type rechargeable Battery packs with the charger. Other types of batteries may burst causing personal injury and damage.

- a) **The appliance is not to be used by persons (including children) with reduced physical, sensory or mental capabilities, or lack of experience and knowledge, unless they have been given supervision or instruction.**
- b) **Children being supervised not to play with the appliance.**
- c) **Do not recharging non-rechargeable batteries!**
- d) **During charging, batteries must be placed in the well ventilated area!**

### RESIDUAL RISKS

**Even when the power tool is used as prescribed it is not possible to eliminate all residual risk factors. The following hazards may arise in connection with the power tool's construction and design:**

- a) Health defects resulting from vibration emission if the power tool is being used over longer period of time or not adequately managed and properly maintained.
- b) Injuries and damage to property to due to broken accessories that are suddenly dashed.



**Warning!** This power tool produces an electromagnetic field during operation. This field may under some circumstances interfere with active or passive medical implants. To reduce the risk of serious or fatal injury, we recommend persons with medical implants to consult their physician and the medical implant manufacturer before operating this power tool.

## 2. MACHINE INFORMATION

#### Intended use

The device is intended to produce pressure in tyres (e.g. car, motorcycle and bicycle tyres), balls, air mattresses and other inflatable products. The device is also intended for inflate/deflate using high volume with low pressure, such as air mattresses, rafts, and swimming pool floats. The cordless compressor is operated via a 20V battery or via 12V cigarette lighter socket (car, mobile home, truck etc.) This device is not suitable for continuous operation longer than 10 min. Any other use may damage the device and present a serious danger to the user. The manufacturer is not liable for damage caused by improper use or incorrect operation.

#### TECHNICAL SPECIFICATIONS



This manual has been drawn up for different sets / article numbers. Check the corresponding article number in below specifications table for the correct composition and contents of your set.



Model No	Batteries included	Chargers included
<b>CR503DC</b>	-	-
<b>S_CR503DC</b>	CD801AA	CD802AA
<b>S2_CR503DC</b>	2 x CD801AA	CD802AA
<b>S3_CR503DC</b>	CD803AA	CD802AA

Machine information	
Voltage battery	20V
Voltage Cigarette	12V
Power cigarette plug	60W
Air pressure	Max 160 PSI / 11 bar /1100 Kpa
High pressure hose length	790mm
Low pressure hose length	360mm
Output compressore	Max 12L/min
Output blower	Max 380L/min
No load speed	
Pump	17000/min
Draught dan	22000/min
Continuous operation	max. 10 min*
Sound pressure level L <sub>PA</sub>	71.2 dB(A), K=3dB(A)
Sound power level L <sub>WA</sub>	82.2 dB(A), K=3dB(A)

Model No	CD801AA
Battery Type	Lithium-Ion
Voltage	20V
Capacity	2.0 Ah
Recommended charger	CD802AA
Weight	0.3 kg

Model No	CD802AA
Charger input	220-240V,50Hz 0.4A
Charger output	21V  2.5A
Charging time 2Ah battery	60 minutes
Charging time 4Ah battery	120 minutes
Recommended batteries	CD801AA, CD803AA
Weight	0.36 kg

Model No	CD803AA
Battery Type	Lithium-Ion
Voltage	20V
Capacity	4.0 Ah
Recommended charger	CD802AA
Weight	0.65 kg

\* For optimal lifetime performance, do not operate device uninterrupted for more than 10 minutes; then wait for 10 minutes.

Only use the following batteries of the VONROC VPOWER 20V battery platform. Using any other batteries could cause serious injury or damage the tool.

CD801AA 20V, 2Ah Lithium-Ion

CD802AA 20V, 4Ah Lithium-Ion

The following charger of the can be used to charge these batteries.

CD803AA Quick charger

The batteries of the VONROC VPOWER 20V battery platform are interchangeable with all the VONROC VPOWER 20V battery platform tools.

## DESCRIPTION

The numbers in the text refer to the diagrams on page 2-4.

1. Machine
2. Battery
3. Battery unlock button
4. Worklight
5. Charger
6. Charging LED indicator
7. Clamping lever
8. High pressure connection valve
9. High pressure hose
10. Storage channel high pressure hose
11. Low pressure hose
12. Storage low pressure hose
13. Large / medium/small connector for inflating/deflating
14. Extra small valve adapter
15. Valve adapter for balls
16. Valve adapter for Dunlop/blitz bicycle valves
17. Valve adapter for Presta bicycle valves
18. Valve adapter for Schrader bicycle valves
19. Valve adapter storage

- 20. Mode selector I / O / II
- 21. Control panel + / "PSI/BAR/KPA" / -
- 22. Inflator connection machine
- 23. Nubs
- 24. Notches
- 25. Deflate connection machine
- 26. Switch worklight
- 27. Battery indication button
- 28. Display
- 29. 12V Cigarette lighter plug
- 30. storage for cigarette lighter plug
- 31. Battery LED indicators
- 32. Battery LED indicators button

### 3. OPERATION

#### First use (Fig. A)



*Do not operate the device in dusty environments. Doing so poses a fire hazard and could damage the device.*



*To prevent overheating while inflating, keep the air intake and vents clear of obstructions. Always wear EN-approved eye protection during use.*

Place the product on a even, nonflammable surface. Depending on the inflatable or the tyre you can use high or low pressure. High pressure setting is best to be used when pre-set is needed; preset the desired pressure and the machine will automatically stop at the set pressure.

Low pressure setting is best to be used for inflating and deflating larger inflatables.

- Depending on the tyres you can use the high pressure connection valve (8) directly or along with one of the included valve adapters (16, 17, 18)
- For balls (high pressure) use valve adapter for balls (15)
- For high pressure inflatables with a small valve use the extra small valve adapter (14)
- Depending on the inflatable you can use the Low pressure connection (11) directly or along with one of the included hose adapters (13)



*For inflatables with counterpressure (e.g. partly filled car tyre): Switch on the product before connecting the High pressure connection valve (8) to the tyre.*

This product is not suitable for continuous operation. It was developed to produce air pressure, not air volume. Do not use the product for longer than 10 minutes without interruption to prevent overheating and damage to the device. Afterwards allow to cool for a minimum of 10 minutes.

When device is not in use for 3 min, it will automatically go in to sleep mode. While in sleep mode the LED light can not be used.



*The battery must be charged before first use.*

#### for 20V battery use:

##### Removing the battery from the machine (Fig. B1)

- Push the battery unlock button (3) and pull the battery out of the machine.

##### Inserting the battery into the machine (Fig. B1)



*Ensure that the exterior of the battery is clean and dry before connecting to the charger or machine.*

- Insert the battery (2) into the base of the machine.
- Push the battery toward the battery connector until it clicks into place.



*When the machine is not being used over a longer period of time it is best to store the battery in charged condition.*



*The appliance vibrates during operation. During operation, always make sure the machines is placed on its rubber feet.*

##### Checking the battery charging status (Fig. B2)

- To check the battery charge status, push the button (32) on battery shortly.
- The battery has 3 lights indicating the charge level, the more lights that burn, the more charge the battery has left.
- When the lights are not burning it means the battery is empty and must be charged immediately.

##### Charging the battery with the charger (Fig. B2)

1. Take the battery (2) from the machine.
2. Turn the battery (2) to upside down position and slide it onto the charger (5) as shown in Fig. B2.
3. Push the battery until it is fully pushed into the slot.

4. Plug the charger plug into an electrical outlet and wait for a while. The LED indicators on the charger (6) will lighten up and show the charger status.

**The charger has 2 LED indicators (31) which indicate the status of the charging process:**

Red LED Status	Green LED status	Charger status
Off	Off	No power
Off	On	Standby mode: - No battery is inserted or, - Battery inserted but charging has finished
On	Off	Battery charging in progress

- Fully charging the 2Ah battery may take up to 60 minutes.
- Fully charging the 4Ah battery may take up to 120 minutes.

After the battery is fully charged remove the charger plug from the outlet and remove the battery from the charger.

**for 12V cigarette plug use:**

**Storage for Cigarette plug (Fig. C)**

The cigarette plug is stored in the bottom of the machine.

**Connecting to the cigarette lighter socket (Fig. A)**

Verify the socket of the cigarette lighter in your vehicle has an adequately sized fuse.

- Plug the cigarette lighter plug (29) into the socket of the 12V cigarette lighter. If you are unsure how to perform this, please consult the manual of the vehicle.

**Switching on/off the machine**

- Press the Pressure selector (21) and the display (28) will go on.
- The machine will automatically switch off after a few minutes or when battery / cigarette plug is being removed or hold the Pressure selector (21) for a few second and the display (28) will go off.

**HIGH PRESSURE, LOW VOLUME – TYRES & BALLS - SWITCH 'I' (FIG. D1, D2)**

**Connecting the high pressure connection valve without valve adapter**

1. Open the connection valve (8); the clamping lever (7) will be in position as shown on figure D1.
2. Insert the open connection valve (8) into the valve of the inflatable (if necessary, first remove valve cover of the inflatable).
3. Hold the connection valve (8) and close: push clamping lever (7) towards the connection valve (8).

**Connecting the high pressure connection valve with valve adapter**



*Take care not to over-inflate footballs, they might burst.*



*Given the material composition of inflatable mattresses, inflatable boats etc., the air pressure cannot be indicated exactly. Take care therefore not to over-inflate such items or they might burst.*

**For valve adapter for balls and the extra small valve adapter for inflatables**

1. Open the connection valve (8); the clamping lever (7) will be in position as shown on figure D1.
2. Push or twist the respective valve adapter (14, 15) into the opening in the connection valve (8).
3. Secure the valve adapter (14, 15) by closing the connection valve (8): push clamping lever (7) towards the connection valve (8) as shown on figure D2.
4. Insert the valve adapter (14, 15) into the valve on the inflatable (if necessary, first remove valve cover of the inflatable).

**For valve adapter for tyres**

1. Turn the valve adapter (16, 17, 18) on to the valve of the tyre (if necessary, first remove valve cover of the tyre).
2. Open the connection valve (8); the clamping lever (7) will be in position as shown on figure D1.
3. Push the connection valve (8) on the valve adapter (16, 17, 18)
4. Hold the connection valve (8): push clamping lever (7) towards the connection valve (8) as shown on figure D2.

**Setting the Automatic Shut-Off Pressure (Fig. E)**

1. Press the pressure selector (21) on the control panel to switch between the different pressure units (PSI, BAR, Kpa) until required unit is displayed.
2. Press the "+" or "-" on the control panel until the desired pressure shows on the display. By holding the "+" or "-" you can go up or down quicker, release "+" or "-" at the desired pressure.

**Note:** After 3 seconds the display will flash and return to a reading of "0.0". This is normal. The set pressure will be remembered.

3. Move the mode selector I/O/II (20) into the position 'I' to switch the appliance to start the High pressure.
4. When the item to be inflated has reached the preset value pressure the unit will automatically turn off.

**Note:** You may notice the actual pressure reading may drop after a couple of seconds. This is normal.

5. To stop the inflator at any time, move the mode selector I/O/II (20) into the position 'O' to switch the appliance off.

**Note:** If the power switch is turned off, all settings will be lost and will need to be reentered. This is a safety feature to prevent the risk of items OVER INFLATING.

**Note:** After a few minutes the machine automatically goes off. In order to switch on the machine, press the Pressure selector (21) and the display (28) will go on.

**Note:** When using the Dunlop valve adapter, the pressure gauge will not display an accurate value due to characteristics of the valve. When inflating a tire, do not use the value on the pressure gauge, but inflate it by checking the status of the tire. If the tool stops before the tire reaches the desired air pressure, adjust the pressure value, and then inflate the tire again.

**Note:** When inflating a floating tube, the pressure gauge will not display an accurate value since the pressure of floating tube is less than 20 kPa

(3 PSI). When inflating a floating tube, do not use the value on the pressure gauge, but inflate it by checking the status of the floating tube.

**Using the Inflator as a Pressure Gauge**

**Note:** This machine has a memory mode in pre-set function.

Please make sure to switch machine off to remove memory before using pressure gauge function.

1. In order to switch on the machine, press the Pressure selector (21) and the display (28) will go on.
2. Reattach the hose connected to the valve to be measured.
3. The digital readout will display the item's pressure.

**Removing the connection valve (Fig. D1, D2)**

- Removing with or without valve adapter: Open the clamping lever (7) for the connection valve (8) and remove from the valve and/or adapter of the inflatable.
- Remove any adapter and close the valve of the inflated item (ball, inflatables or tyres)

**Note:** Air may escape from the valve of the inflatable when removing the connection valve (8). Be sure not to remove the connection valve (8) too quickly. It may be necessary to add extra pressure to the required pressure, to compensate for the escaped air.

**Storage high pressure hose and valve adapters (Fig. F, G)**

- The high-pressure hose (9) is located in a storage channel (10) on the back of the machine. Wrap the high-pressure hose inside the channel.
- The Valve adapters (14, 15, 16) are stored in the back of the unit inside the valve adapter storage (19).

**LOW PRESSURE, HIGH VOLUME - INFLATABLES - SWITCH 'I'****Inflating****Connecting the low pressure hose to the compressor (Fig. H1)**

1. Remove the low pressure hose (11) from the storage (12).
2. Line up the notches (24) of the hose with the nubs (23) of the low pressure inflator connection (22).

3. Then, slide the hose on and twist counter-clockwise to secure.
4. To remove, twist the hose clockwise and slide hose off.

**Note:** Many inflatables have an internal flap that prevents air loss during inflation, especially air mattresses. Unless this flap is displaced by the nozzle the inflatable will not inflate. Push the nozzle firmly into the valve to make sure that you push this flap out of the way.

**WARNING:** Risk of Bursting. Excessive air pressure may cause a hazardous risk of bursting or personal injury. Check the manufacturer's maximum pressure rating for items being inflated.

**For some valves you need a different size connector than the standard size on the low pressure hose:**

- Place the adapter that is connected to the low pressure hose (11) on to the end of the hose.
- Choose between the Large, Medium or small connectors (13).
- Check the fit before attaching it to the low pressure hose (11).
- Attach the chosen connector by pushing it on the low pressure hose.

#### Deflate

**Connecting the low pressure hose to the compressor (Fig. H2)**

1. Remove the low pressure hose (11) from the storage (12).
2. Push the hose into the deflate connection (25)
3. Insert the hose into the object being deflated, using the correct adapter

#### Setting the Automatic Shut-Off Pressure

During use of the low pressure mode it is not possible to use Automatic shut-off pressure.

#### Worklight (4) (Fig. E)

**Note:** While the battery is assembled on the machine or connected with 12V cigarette plug and the machine is in sleep state, the LEDs will not turn on.

- In order to switch on the machine, press the Pressure selector (21) and the display (28) will go on.
- Turn on the worklight by pressing the worklight switch (26).
- Turn off the worklight by pressing the worklight switch (26).

## 4. MAINTENANCE



*Before cleaning and maintenance, always switch off the machine and remove the battery pack from the machine.*

Clean the machine casings regularly with a soft cloth, preferably after each use. Make sure that the ventilation openings are free of dust and dirt. Remove very persistent dirt using a soft cloth moistened with soapsuds. Do not use any solvents such as gasoline, alcohol, ammonia, etc. Chemicals such as these will damage the synthetic components.

## ENVIRONMENT



*Faulty and/or discarded electrical or electronic apparatus have to be collected at the appropriate recycling locations.*

#### Only for EC countries

Do not dispose of power tools into domestic waste. According to the European Guideline 2012/19/EC for Waste Electrical and Electronic Equipment and its implementation into national right, power tools that are no longer usable must be collected separately and disposed of in an environmentally friendly way.

## WARRANTY

VONROC products are developed to the highest quality standards and are guaranteed free of defects in both materials and workmanship for the period lawfully stipulated starting from the date of original purchase. Should the product develop any failure during this period due to defective material and/or workmanship then contact VONROC directly.

The following circumstances are excluded from this guarantee:

- Repairs and or alterations have been made or attempted to the machine by unauthorized service centers;
- Normal wear and tear;
- The tool has been abused, misused or improperly maintained;
- Non-original spare parts have been used.

This constitutes the sole warranty made by company either expressed or implied. There are no other warranties expressed or implied which extend

beyond the face hereof, herein, including the implied warranties of merchantability and fitness for a particular purpose. In no event shall VONROC be liable for any incidental or consequential damages. The dealers remedies shall be limited to repair or replacement of nonconforming units or parts.

**The product and the user manual are subject to change. Specifications can be changed without further notice.**

## 1. SICHERHEITSAUWEISUNGEN

Lesen Sie die beiliegenden Sicherheitsanweisungen, die zusätzlichen Sicherheitsanweisungen sowie die Bedienungsanleitung. Das Nichtbeachten der Sicherheitsanweisungen und der Bedienungsanleitung kann zu einem Stromschlag, Feuer und/oder schweren Verletzungen führen. Bewahren Sie die Sicherheitsanweisungen und die Bedienungsanleitung zur künftigen Bezugnahme auf.

Folgende Symbole werden im Benutzerhandbuch oder auf dem Produkt verwendet:



Lesen Sie das Benutzerhandbuch.



Lebens- und Verletzungsgefahr und Gefahr von Beschädigungen am Werkzeug/Gerät bei Nichteinhaltung der Anweisungen in dieser Bedienungsanleitung.



Tragen Sie eine Schutzbrille.  
Tragen Sie Schutzhandschuhe.



Nicht im Regen benutzen.



Sicherungseinsatz für trage Sicherungen.



Hochsttemperatur 45 °C.



Batterien/Akkus nicht in offene Feuer werfen.



Batterien/Akkus nicht ins Wasser werfen.



Der Li-Ionen-Akku muss separat der Wertstoffsammlung zugeführt werden.



Entsorgen Sie das Produkt nicht in hierfür nicht vorgesehenen Abfallbehältern.



Das Produkt entspricht den geltenden Sicherheitsnormen der europäischen Richtlinien.

### ALLGEMEINE SICHERHEITSHINWEISE



**WARNUNG** Lesen Sie alle Sicherheitshinweise, Anweisungen, Bilderungen und technischen Daten, mit denen dieses Elektrowerkzeug versehen ist. Versäumnisse bei der Einhaltung der nachfolgenden

*Anweisungen können elektrischen Schlag, Brand und/oder schwere Verletzungen verursachen.*

**Bewahren Sie alle Sicherheitshinweise und Anweisungen für die Zukunft auf.**

Der in den Sicherheitshinweisen verwendete Begriff „Elektrowerkzeug“ bezieht sich auf netzbetriebene Elektrowerkzeuge (mit Netzleitung) oder auf akkubetriebene Elektrowerkzeuge (ohne Netzleitung).

**1) Arbeitsplatzsicherheit**

- a) **Halten Sie Ihren Arbeitsbereich sauber und gut beleuchtet.** Unordnung oder unbeleuchtete Arbeitsbereiche können zu Unfällen führen.
- b) **Arbeiten Sie mit dem Elektrowerkzeug nicht in explosionsgefährdeter Umgebung, in der sich brennbare Flüssigkeiten, Gase oder Stäube befinden.** Elektrowerkzeuge erzeugen Funken, die den Staub oder die Dämpfe entzünden können.
- c) **Halten Sie Kinder und andere Personen während der Benutzung des Elektrowerkzeugs fern.** Bei Ablenkung können Sie die Kontrolle über das Elektrowerkzeug verlieren.

**2) Elektrische Sicherheit**

- a) **Der Anschlussstecker des Elektrowerkzeugs muss in die Steckdose passen. Der Stecker darf in keiner Weise verändert werden. Verwenden Sie keine Adapterstecker gemeinsam mit schutzgeerdeten Elektrowerkzeugen.** Unveränderte Stecker und passende Steckdosen verringern das Risiko eines elektrischen Schlages.
- b) **Vermeiden Sie Körperkontakt mit geerdeten Oberflächen wie von Rohren, Heizungen, Herden und Kühlschränken.** Es besteht ein erhöhtes Risiko durch elektrischen Schlag, wenn Ihr Körper geerdet ist.
- c) **Halten Sie Elektrowerkzeuge von Regen oder Nässe fern.** Das Eindringen von Wasser in ein Elektrowerkzeug erhöht das Risiko eines elektrischen Schlages.
- d) **Zweckentfremden Sie die Anschlussleitung nicht, um das Elektrowerkzeug zu tragen, aufzuhängen oder um den Stecker aus der Steckdose zu ziehen. Halten Sie die Anschlussleitung fern von Hitze, Öl, scharfen Kanten oder sich bewegenden Teilen.** Beschädigte oder verwickelte Anschlussleitungen erhöhen das Risiko eines elektrischen Schlages.

- e) **Wenn Sie mit einem Elektrowerkzeug im Freien arbeiten, verwenden Sie nur Verlängerungsleitungen, die auch für den Außenbereich geeignet sind.** Die Anwendung einer für den Außenbereich geeigneten Verlängerungsleitung verringert das Risiko eines elektrischen Schlages.

- f) **Wenn der Betrieb des Elektrowerkzeugs in feuchter Umgebung nicht vermeidbar ist, verwenden Sie einen Fehlerstromschutzschalter.** Der Einsatz eines Fehlerstromschutzschalters vermindert das Risiko eines elektrischen Schlages.

**3) Sicherheit von Personen**

- a) **Seien Sie aufmerksam, achten Sie darauf, was Sie tun, und gehen Sie mit Vernunft an die Arbeit mit einem Elektrowerkzeug. Benutzen Sie kein Elektrowerkzeug, wenn Sie müde sind oder unter dem Einfluss von Drogen, Alkohol oder Medikamenten stehen.** Ein Moment der Unachtsamkeit beim Gebrauch des Elektrowerkzeugs kann zu ernsthaften Verletzungen führen.
- b) **Tragen Sie persönliche Schutzausrüstung und immer eine Schutzbrille.** Das Tragen persönlicher Schutzausrüstung, wie Staubmaske, rutschfeste Sicherheitsschuhe, Schutzhelm oder Gehörschutz, je nach Art und Einsatz des Elektrowerkzeugs, verringert das Risiko von Verletzungen.
- c) **Vermeiden Sie eine unbeabsichtigte Inbetriebnahme. Vergewissern Sie sich, dass das Elektrowerkzeug ausgeschaltet ist, bevor Sie es an die Stromversorgung und/oder den Akku anschließen, es aufnehmen oder tragen.** Wenn Sie beim Tragen des Elektrowerkzeugs den Finger am Schalter haben oder das Elektrowerkzeug eingeschaltet an die Stromversorgung anschließen, kann dies zu Unfällen führen.
- d) **Entfernen Sie Einstellwerkzeuge oder Schraubenschlüssel, bevor Sie das Elektrowerkzeug einschalten.** Ein Werkzeug oder Schlüssel, der sich in einem drehenden Teil des Elektrowerkzeugs befindet, kann zu Verletzungen führen.
- e) **Vermeiden Sie eine abnormale Körperhaltung. Sorgen Sie für einen sicheren Stand und halten Sie jederzeit das Gleichgewicht.** Dadurch können Sie das Elektrowerkzeug in unerwarteten Situationen besser kontrollieren.
- f) **Tragen Sie geeignete Kleidung. Tragen Sie keine weite Kleidung oder Schmuck. Halten Sie Haare und Kleidung fern von sich bewegenden Teilen.** Lockere Kleidung, Schmuck oder lange



Haare können von sich bewegenden Teilen erfasst werden.

- g) Wenn Staubabsaug- und -auffangeinrichtungen montiert werden können, sind diese anzuschließen und richtig zu verwenden.** Verwendung einer Staubabsaugung kann Gefährdungen durch Staub verringern.
- h) Wiegen Sie sich nicht in falscher Sicherheit und setzen Sie sich nicht über die Sicherheitsregeln für Elektrowerkzeuge hinweg, auch wenn Sie nach vielfachem Gebrauch mit dem Elektrowerkzeug vertraut sind.** Achtloses Handeln kann binnen Sekundenbruchteilen zu schweren Verletzungen führen.
- 4) Verwendung und Behandlung des Elektrowerkzeugs**
- a) Überlasten Sie das Elektrowerkzeug nicht. Verwenden Sie für Ihre Arbeit das dafür bestimmte Elektrowerkzeug.** Mit dem passenden Elektrowerkzeug arbeiten Sie besser und sicherer im angegebenen Leistungsbereich.
- b) Benutzen Sie kein Elektrowerkzeug, dessen Schalter defekt ist.** Ein Elektrowerkzeug, das sich nicht mehr ein- oder ausschalten lässt, ist gefährlich und muss repariert werden.
- c) Ziehen Sie den Stecker aus der Steckdose und/oder entfernen Sie einen abnehmbaren Akku, bevor Sie Geräteeinstellungen vornehmen, Einsatzwerkzeugteile wechseln oder das Elektrowerkzeug weglegen.** Diese Vorsichtsmaßnahme verhindert den unbeabsichtigten Start des Elektrowerkzeugs.
- d) Bewahren Sie unbenutzte Elektrowerkzeuge außerhalb der Reichweite von Kindern auf. Lassen Sie keine Personen das Elektrowerkzeug benutzen, die mit diesem nicht vertraut sind oder diese Anweisungen nicht gelesen haben.** Elektrowerkzeuge sind gefährlich, wenn sie von unerfahrenen Personen benutzt werden.
- e) Pflegen Sie Elektrowerkzeuge und Einsatzwerkzeug mit Sorgfalt. Kontrollieren Sie, ob bewegliche Teile einwandfrei funktionieren und nicht klemmen, ob Teile gebrochen oder so beschädigt sind, dass die Funktion des Elektrowerkzeugs beeinträchtigt ist. Lassen Sie beschädigte Teile vor dem Einsatz des Elektrowerkzeuges reparieren.** Viele Unfälle haben ihre Ursache in schlecht gewarteten Elektrowerkzeugen.
- f) Halten Sie Schneidwerkzeuge scharf und sauber.** Sorgfältig gepflegte Schneidwerkzeuge mit scharfen Schneidkanten verklemmen sich weniger und sind leichter zu führen.
- g) Verwenden Sie Elektrowerkzeug, Zubehör, Einsatzwerkzeuge usw. entsprechend diesen Anweisungen. Berücksichtigen Sie dabei die Arbeitsbedingungen und die auszuführende Tätigkeit.** Der Gebrauch von Elektrowerkzeugen für andere als die vorgesehenen Anwendungen kann zu gefährlichen Situationen führen.
- h) Halten Sie Griffe und Griffflächen trocken, sauber und frei von Öl und Fett.** Rutschige Griffe und Griffflächen erlauben keine sichere Bedienung und Kontrolle des Elektrowerkzeugs in unvorhergesehenen Situationen.
- 5) Verwendung und Behandlung des Akkuwerkzeugs**
- a) Laden Sie die Akkus nur mit Ladegeräten auf, die vom Hersteller empfohlen werden.** Durch ein Ladegerät, das für eine bestimmte Art von Akkus geeignet ist, besteht Brandgefahr, wenn es mit anderen Akkus verwendet wird.
- b) Verwenden Sie nur die dafür vorgesehenen Akkus in den Elektrowerkzeugen.** Der Gebrauch von anderen Akkus kann zu Verletzungen und Brandgefahr führen.
- c) Halten Sie den nicht benutzten Akku fern von Büroklammern, Münzen, Schlüsseln, Nägeln, Schrauben oder anderen kleinen Metallgegenständen, die eine Überbrückung der Kontakte verursachen könnten.** Ein Kurzschluss zwischen den Akkukontakten kann Verbrennungen oder Feuer zur Folge haben.
- d) Bei falscher Anwendung kann Flüssigkeit aus dem Akku austreten. Vermeiden Sie den Kontakt damit. Bei zufälligem Kontakt mit Wasser abspülen. Wenn die Flüssigkeit in die Augen kommt, nehmen Sie zusätzlich ärztliche Hilfe in Anspruch.** Austretende Akkuflüssigkeit kann zu Hautreizungen oder Verbrennungen führen.
- e) Benutzen Sie keinen beschädigten oder veränderten Akku.** Beschädigte oder veränderte Akkus können sich unvorhersehbar verhalten und zu Feuer, Explosion oder Verletzungsgefahr führen.
- f) Setzen Sie einen Akku keinem Feuer oder zu hohen Temperaturen aus.** Feuer oder Temperaturen über 130 °C können eine Explosion hervorrufen.
- g) Befolgen Sie alle Anweisungen zum Laden und laden Sie den Akku oder das Akkuwerkzeug niemals außerhalb des in der Betriebsanleitung**

**angegebenen Temperaturbereichs.** Falsches Laden oder Laden außerhalb des zugelassenen Temperaturbereichs kann den Akku zerstören und die Brandgefahr erhöhen.

## 6) Service

- a) Lassen Sie Ihr Elektrowerkzeug nur von qualifiziertem Fachpersonal und nur mit Original-Ersatzteilen reparieren.** Damit wird sichergestellt, dass die Sicherheit des Elektrowerkzeugs erhalten bleibt.
- b) Warten Sie niemals beschädigte Akkus.** Sämtliche Wartung von Akkus sollte nur durch den Hersteller oder bevollmächtigte Kundendienststellen erfolgen.

## ZUSÄTZLICHE SICHERHEITSHINWEISE FÜR KABELLOSE LUFTKOMPRESSOREN

- **Dieses Gerät kann von Kindern ab 8 Jahren und darüber sowie von Personen mit verringerten physischen, sensorischen oder mentalen Fähigkeiten oder Mangel an Erfahrung und Wissen benutzt werden, wenn sie beaufsichtigt oder bezüglich des sicheren Gebrauchs des Gerätes unterwiesen wurden und die daraus resultierenden Gefahren verstehen.**
- **Kinder dürfen nicht mit dem Gerät spielen. Reinigung und Benutzer-Wartung dürfen nicht von Kindern ohne Beaufsichtigung durchgeführt werden.**
- Berstgefahr - Stellen Sie den Regler nicht höher als den markierten Maximaldruck des verbundenen Teils ein.
- Verletzungsgefahr - Luftstrom nicht auf Menschen oder Tiere richten.
- Nicht zur Versorgung mit Atemluft verwenden.
- Lassen Sie den Kompressor nicht über einen längeren Zeitraum unbeaufsichtigt, während er eingeschaltet ist. Trennen Sie den Kompressor nach der Arbeit vom Strom.
- Halten Sie den Kompressor gut belüftet. Kompressor während des Gebrauchs nicht abdecken.
- Nicht den Ventildeckel abdecken und keine internen Komponenten einstellen.
- Verwenden Sie den Luftschlauch nicht zum Bewegen des Kompressors.
- Die Verwendung von Zubehör oder Zusatzgeräten, die nicht vom Hersteller empfohlen werden, kann zu Verletzungsgefahren führen.
- Alle Luftleitungskomponenten, einschließlich Schläuche, Rohre, Anschlüsse, Filter usw., müssen für einen Mindestbetriebsdruck von 160 PSI oder 150% des maximalen Systemdrucks ausgelegt sein, je nachdem, welcher Wert höher ist.
- Halten Sie Etiketten und Typenschilder am Kompressor in gutem Zustand. Sie enthalten wichtige Sicherheitsinformationen.
- Dieses Produkt ist kein Spielzeug. Außerhalb der Reichweite von Kindern aufbewahren.
- Tragen Sie beim Gebrauch eine ENzugelassene Schutzbrille und strapazierfähige Arbeitshandschuhe.
- Setzen Sie das Produkt keinem Regen oder feuchten Bedingungen aus.
- Personen mit Herzschrittmachern sollten vor der Anwendung ihren Arzt konsultieren. Elektromagnetische Felder in unmittelbarer Nähe von Herzschrittmachern können Störungen oder Versagen des Herzschrittmachers verursachen.
- Lassen Sie das Werkzeug nicht unbeaufsichtigt, wenn das Batteriepack angebracht ist. Werkzeug ausschalten und Batteriepack abnehmen, bevor das Gerät unbeaufsichtigt gelassen wird.
- Innerhalb des Arbeitsbereichs ist der Benutzer für Schäden verantwortlich, die Dritten durch die Verwendung dieses Geräts entstehen.
- Richten Sie das Gerät während des Gebrauchs niemals auf sich selbst oder andere Personen, insbesondere nicht auf Augen und Ohren. Es besteht Verletzungsgefahr!
- Reinigen Sie niemals Ihre Kleidung mit Druckluft.
- Lassen Sie das Gerät während des Betriebs niemals unbeaufsichtigt und befolgen Sie die Anweisungen zum Aufpumpen von aufblasbaren Gegenständen.
- Aufblasbare Gegenstände können platzen und schwere Verletzungen verursachen.
- Die in dieser Gebrauchsanweisung besprochenen Warnungen, Vorsichtsmaßnahmen und Anweisungen können nicht alle möglicherweise auftretenden Bedingungen und Situationen abdecken. Der Betreiber muss sich bewusst sein, dass gesunder Menschenverstand und Vorsicht Faktoren sind, die nicht in dieses Product eingebaut werden können, sondern vom Betreiber geliefert werden müssen.

## SICHERHEIT BEI VERWENDUNG DES KABELLOSEN LUFTKOMPRESSORS



*VORSICHT: So vermeiden Sie Schäden am Gerät und mögliche daraus resultierende Personenschäden:*

- Gerät nicht während der Fahrt verwenden.
- Das Gerät vor dem Gebrauch auf Beschädigungen prüfen und nur in einwandfreiem Zustand nutzen.
- Setzen Sie das Gerät weder Regen noch feuchter Witterung aus und lassen Sie es nicht mit Wasser in Berührung kommen. Es besteht Stromschlaggefahr!
- Halten Sie während des Betriebs alle Öffnungen des Geräts frei. Verschließen Sie die Öffnungen nicht mit den Händen oder Fingern und decken Sie das Gerät nicht ab. Es besteht Überhitzungsgefahr!
- Lassen Sie das Gerät nicht bei heißen Außentemperaturen im Auto.
- Das Gerät könnte irreparabel beschädigt werden.
- Das Gerät erwärmt sich während des Betriebs. Beim Berühren heißer Oberflächen besteht Verbrennungsgefahr.
- Lassen Sie keinen Sand, Staub oder andere kleine Partikel in die Lufteinlass- oder Luftauslassöffnungen gelangen.
- Verwenden Sie das Gerät nicht in der Nähe von brennbaren Flüssigkeiten oder Gasen. Saugen Sie keinen heißen Dampf an. Bei Nichtbeachtung dieser Hinweise besteht Brand- oder Explosionsgefahr!
- Schalten Sie das Gerät aus und entfernen Sie die Batterie:
  - wenn das Gerät nicht benutzt wird;
  - wenn Sie das Gerät unbeaufsichtigt lassen;
  - zur Reinigung oder Wartung;
  - wenn Fremdkörper in das Gerät eindringen oder ungewöhnliche Geräusche auftreten.
- Verwenden Sie nur vom Hersteller empfohlenes und mitgeliefertes Zubehör.
- Versuchen Sie nicht, das Gerät selbst zu reparieren.

## SICHERHEITSHINWEISE FÜR AKKU

- a) **Offnen Sie den Akku nicht.** Es besteht die Gefahr eines Kurzschlusses.
- b) **Schützen Sie den Akku vor Hitze, z. B. auch vor dauernder Sonneneinstrahlung, Feuer, Wasser**

- c) **und Feuchtigkeit.** Es besteht Explosionsgefahr. Bei Beschädigung und unsachgemäßem Gebrauch des Akkus können Dämpfe austreten. Führen Sie Frischluft zu und suchen Sie bei Beschwerden einen Arzt auf. Die Dämpfe können die Atemwege reizen.
- d) Verwenden Sie den Akku nur in Verbindung mit Ihrem Vonroc Produkt. Nur so wird der Akku vor gefährlicher Überlastung geschützt.
- e) Durch spitze Gegenstände wie z. B. Nagel oder Schrau benzieher oder durch ausere Krafteinwirkung kann der Akku beschädigt werden. Es kann zu einem internen Kurzschluss kommen und der Akku brennen, rauchen, explodieren oder überhitzen.

## SICHERHEITSHINWEISE FÜR DAS LADEGERÄT

### Verwendungszweck

Nur für das Laden von wiederaufladbaren Li-Ionen-Akkus des Typs CD801AA und CD803AA geeignet. Andere Arten von Akkus können platzen und zu Verletzungen und Schaden führen.

- a) **Das Gerät darf nicht von Personen (einschließlich Kindern) mit eingeschränkten körperlichen, sensorischen bzw. geistigen Fähigkeiten, mangelnder Erfahrung bzw. fehlendem Wissen verwendet werden, wenn diese nicht beaufsichtigt werden oder eine Einweisung erhalten haben.**
- b) **Kinder sollten beaufsichtigt werden, um sicherzustellen, dass sie nicht mit dem Gerät spielen.**
- c) **Nicht wiederaufladbare Batterien dürfen nicht aufgeladen werden!**
- d) **Während des Ladens müssen sich die Akkus in einem gut belüfteten Raum befinden!**

## RESTRIKTIKEN

**Selbst bei ordnungsgemäßer, beschriebener Anwendung des Elektrowerkzeugs können nicht alle Restrisikofaktoren ausgeschlossen werden. Folgende Gefahren können in Verbindung mit der Konstruktion und Bauweise des Elektrowerkzeugs auftreten:**

- a) Die Verwendung des Elektrowerkzeugs über einen längeren Zeitraum oder die unsachgemäßere Verwendung oder nicht ordnungsgemäße Wartung des Geräts kann zu Gesundheitsschäden durch die Vibrationsemission führen.
- b) Beschädigte Zubehörteile, die plötzlich davongeschleudert werden, können zu Verletzungen und Sachschäden führen.



**Warnung!** Dieses Elektrowerkzeug erzeugt während des Betriebs ein elektromagnetisches Feld. Dieses Feld kann unter bestimmten Umständen eine Störung von aktiven oder passiven Körperhilfsmitteln verursachen. Zur Verringerung der Gefahr von schweren oder tödlichen Verletzungen empfehlen wir, dass Personen mit medizinischen Implantaten vor der Verwendung dieses Elektrowerkzeugs Rücksprache mit ihrem Arzt und dem Hersteller der medizinischen Implantate halten.

## 2. ANGABEN ZUM WERKZEUG

### Verwendungszweck

Das Gerät dient dazu, in Reifen (z. B. von Autos, Motorrädern und Fahrrädern), Bällen, Luftmatratzen und anderen aufblasbaren Gegenständen Druck aufzubauen. Das Gerät ist auch zum Aufblasen/Ablassen von Luft mit hohem Volumen bei niedrigem Druck geeignet, wie z.B. Luftmatratzen, Schlauchboote und aufblasbares Swimmingpool-Zubehör. Der kabellose Kompressor wird über einen 20V-Akku oder über eine 12V-Zigarettenanzünderbuchse (Auto, Wohnmobil, Lkw usw.) betrieben. Dieses Gerät ist nicht für einen Dauerbetrieb von mehr als 10 Minuten ausgelegt. Jede andere Verwendung kann das Gerät beschädigen und eine ernsthafte Gefahr für den Benutzer darstellen. Der Hersteller haftet nicht für Schäden, die durch unsachgemäßen Gebrauch oder falschen Betrieb verursacht wurden.

### TECHNISCHE DATEN



Dieses Handbuch wurde für unterschiedliche Sets / Artikelnummern erstellt. Achten Sie in der Spezifikationstabelle mit den korrekten Zusammenstellungen und Inhalten für Ihr Set auf Ihre jeweilige Artikelnummer.

Modellnr.	Batterien enthalten	Ladegerät enthalten
<b>CR503DC</b>	-	-
<b>S_CR503DC</b>	CD801AA	CD802AA
<b>S2_CR503DC</b>	2 x CD801AA	CD802AA
<b>S3_CR503DC</b>	CD803AA	CD802AA

Angaben zum Werkzeug	
Spannung Akku	20V
Spannung Zigarettenanzünder	12V
Strom Stecker für den Zigarettenanzünder	60W
Luftdruck Max	Max 160 PSI / 11 bar / 1100 Kpa
Länge Hochdruckschlauch	790mm
Länge Niederdruckschlauch	360mm
Kompressorleistung	Max 12L/min
Gebläseleistung	Max 380L/min
Drehzahl ohne Last	
Aufblasen	17000/min
Ablassen	22000/min
Dauerbetrieb	max. 10 min*
Schalldruckpegel L <sub>PA</sub>	71,2 dB(A), K=3dB(A)
Schallleistungspegel L <sub>WA</sub>	82,2 dB(A), K=3dB(A)

Modellnr.	CD801AA
Akkutyp	Lithium-Ion
Spannung	20V
Kapazität	2,0 Ah
Empfohlene Ladegeräte	CD802AA
Gewicht	0,3 kg

Modellnr.	CD802AA
Ladegerät Eingang	220-240V, 50Hz 0,4A
Ladegerät Ausgang	21V  2,5A
Ladezeit 2Ah Akku	60 Minuten
Ladezeit 4Ah Akku	120 Minuten
Empfohlene Akkus	CD801AA, CD803AA
Gewicht	0,36 kg

Modellnr.	CD803AA
Akkutyp	Lithium-Ion
Spannung	20V
Kapazität	4,0 Ah
Empfohlene Ladegeräte	CD802AA
Gewicht	0,65 kg

\* Für eine optimale Lebensdauer betreiben Sie das Gerät nicht ohne Unterbrechung für mehr als 10 Minuten; warten Sie danach 10 Minuten ab.

Verwenden Sie nur folgende Akkus der VONROC VPOWER 20V-Akku-Plattform. Die Verwendung anderer Akkus kann zu schweren Verletzungen oder einer Beschädigung des Werkzeugs führen.  
CD801AA 20V, 2Ah Lithium-Ion  
CD802AA 20V, 4Ah Lithium-Ion

Folgendes Ladegerät ist zum Aufladen dieser Akkus vorgesehen.  
CD803AA Schnellladegerät

Die Akkus der VONROC VPOWER 20V-Akku-Plattform sind unter allen Werkzeugen der FVONROC VPOWER 20V-Akku-Plattform austauschbar.

## BESCHREIBUNG

Die Buchstaben und Ziffern im folgenden Text weisen auf die Abbildungen auf den Seiten 2 bis 4.

1. Werkzeug
2. Akku
3. Akku-Freigabetaste
4. Arbeitsleuchte
5. Ladegerät
6. LED-Anzeige Ladegerät
7. Klemmhebel
8. Hochdruckanschlussventil
9. Hochdruckschlauch
10. Halterung für Hochdruckschlauch
11. Niederdruckschlauch
12. Halterung für Niederdruckschlauch
13. Großes / mittleres / kleines Anschlussstück zum Aufblasen/Ablassen
14. Extra kleiner Ventiladapter
15. Ventiladapter für Bälle
16. Ventiladapter für Dunlop/Blitz-Fahrradventile
17. Ventiladapter für Presta-Fahrradventile
18. Ventiladapter für Schrader-Fahrradventile
19. Halterung für Ventiladapter
20. Betriebsartenwahlschalter I / O / II
21. Bedienfeld + / „PSI/BAR/KPA“ / -
22. Aufblasanschluss
23. Noppen
24. Kerben
25. Ablassanschluss
26. Lichtschalter
27. Batterieanzeigetaste

28. Display
29. Stecker für 12V-Zigarettenanzünder
30. Aufbewahrung für Stecker für den Zigarettenanzünder
31. LED-Anzeige Akku
32. Akku LED-Anzeige-Taste

## 3. BETRIEB

### Erste Verwendung (Abb. A)



*Betreiben Sie das Gerät nicht in staubigen Umgebungen. Andernfalls besteht Brandgefahr und das Gerät könnte beschädigt werden.*



*Um eine Überhitzung während des Aufblasens zu vermeiden, halten Sie den Lufteinlass und die Lüftungsöffnungen frei von Blockierungen. Tragen Sie während des Gebrauchs stets einen ENzugelassenen Augenschutz.*

Stellen Sie das Produkt auf eine ebene, nicht brennbare Oberfläche. Je nach Art des aufblasbaren Objekts oder dem Reifen können Sie hohen oder niedrigen Druck verwenden. Die Hochdruckeinstellung eignet sich am besten, wenn eine Voreinstellung erforderlich ist. Geben Sie dazu den gewünschten Druck vor, dann stoppt das Gerät automatisch, wenn der eingestellte Druck erreicht ist.

Die Niederdruckeinstellung eignet sich am besten zum Aufblasen und Entleeren größerer aufblasbarer Gegenstände.

- Je nach Art der Reifen können Sie das Hochdruckanschlussventil (8) direkt oder zusammen mit einem der mitgelieferten Ventiladapter (16, 17, 18) verwenden
- Für Bälle (Hochdruck) den Ventiladapter für Bälle (15) verwenden
- Für Gegenstände mit kleinem Ventil, die mit Hochdruck aufgeblasen werden, verwenden Sie den extra kleinen Ventiladapter (14)
- Je nach Art des aufzublasenden Gegenstands können Sie den Niederdruckanschluss (11) direkt oder zusammen mit einem der mitgelieferten Schlauchadapter (13) verwenden



*Aufblasbare Gegenstände mit Gegendruck (z. B. teilweise gefüllte Autoreifen): Schalten Sie das Gerät ein, bevor Sie das Hochdruckanschlussventil (8) mit dem Reifen verbinden.*

Das Gerät ist nicht für den Dauerbetrieb geeignet. Es wurde zum Erzeugen von Luftdruck und nicht von Luftvolumen entwickelt. Verwenden Sie das Gerät nicht länger als 10 Minuten ohne Unterbrechung, um eine Überhitzung und Beschädigung zu vermeiden. Lassen Sie es anschließend mindestens 10 Minuten abkühlen.

Wenn das Gerät 3 Minuten lang nicht benutzt wird, wechselt es automatisch in den Ruhemodus. Im Ruhemodus kann die LED-Leuchte nicht verwendet werden.



*Vor der ersten Verwendung muss der Akku aufgeladen werden.*

**Bei Verwendung des 20V-Akkus:  
Entnehmen des Akkus aus dem Werkzeug (Abb. B1)**

- Drücken Sie die Akku-Freigabetasten (3) und ziehen Sie den Akku aus dem Werkzeug.

**Einsetzen des Akkus in das Werkzeug (Abb. B1)**



*Überprüfen Sie, ob die Außenflächen des Akkus sauber und trocken sind, bevor Sie den Akku an das Ladegerät anschließen oder in das Werkzeug einsetzen.*

- Setzen Sie den Akku (2) in das Gerät ein.
- Drücken Sie den Akku soweit nach vorn, bis der Akku hörbar einrastet.



*Wenn das Gerät über einen längeren Zeitraum nicht verwendet wird, ist es am besten, die Batterie in geladenem Zustand zu lagern.*



*Das Gerät vibriert während des Betriebs. Achten Sie während des Betriebs immer darauf, dass die Maschine auf ihren Gummifüßen steht.*

**Überprüfen des Akkuladestands (Abb. B2)**

- Drücken Sie zum Überprüfen des Ladezustands kurz die Taste (32) auf dem Akku.
- Der Akku ist mit 3 Leuchten zur Anzeige des Ladezustands ausgestattet. Je mehr davon

leuchten, desto höher der Ladezustand.

- Wenn keine der Leuchten an ist, bedeutet das, dass der Akku leer ist und sofort aufgeladen werden muss.

**Laden des Akkus über das Ladegerät (Abb. B2)**

1. Entnehmen Sie den Akku (2) aus dem Werkzeug.
2. Drehen Sie den Akku (2) mit der Unterseite nach oben, und schieben Sie ihn in das Ladegerät (5), wie in Abb. B2 dargestellt.
3. Drücken Sie den Akku vollständig in die Aufnahme.
4. Stecken Sie den Netzstecker des Ladegeräts in eine Steckdose, und warten Sie einen Moment. Die LED-Anzeigen am Ladegerät (6) leuchten zur Anzeige des Ladezustands auf.

**Das Ladegerät verfügt über 2 LED-Anzeige (31), die den Ladevorgang anzeigt:**

Rote LED	Grüne LED:	Status Ladegerät
Aus	Aus	Keine Stromversorgung
Aus	An	Standby-Modus: - Kein Akku eingelegt oder - Akku eingelegt, aber
An	Aus	Akku wird geladen

- Das vollständige Laden des 2Ah-Akkus kann bis zu 60 Minuten dauern.
- Das vollständige Laden des 4Ah-Akkus kann bis zu 120 Minuten dauern.

Ziehen Sie nach dem vollständigen Laden des Akkus den Stecker des Ladegeräts aus der Netzsteckdose, und entnehmen Sie den Akku aus dem Ladegerät.

**Bei Verwendung des 12V-Zigarettenanzündersteckers:**

**Aufbewahrung für Stecker für den Zigarettenanzünder (Abb. C)**

Der Stecker für den Zigarettenanzünder kann im Unterteil des Geräts aufbewahrt werden.

**Anschließen an die Zigarettenanzünderbuchse (Abb. A)**

Vergewissern Sie sich, dass die Buchse des Zigarettenanzünders in Ihrem Fahrzeug über eine ausreichend dimensionierte Sicherung verfügt.

- Stecken Sie den Stecker für den Zigarettenan-

zünder (29) in die Buchse des 12V-Zigarettenanzünders. Wenn Sie bezüglich des Vorgehens nicht sicher sind, konsultieren Sie das Handbuch des Fahrzeugs.

#### Ein-/Ausschalten des Geräts

- Drücken Sie den Druckwähler (21), daraufhin schaltet sich das Display (28) ein.
- Das Gerät schaltet sich nach ein paar Minuten automatisch aus, oder es geht aus, wenn der Akku bzw. der Stecker des Zigarettenanzünders herausgezogen wird. Wenn Sie den Druckwähler (21) ein paar Sekunden gedrückt halten, schaltet sich das Display (28) aus.

### HOHER DRUCK, NIEDRIGES VOLUMEN – REIFEN & BÄLLE – SCHALTER 'I' (ABB. D1, D2)

#### Anschließen des Hochdruckanschlussventils ohne Ventiladapter

1. Öffnen Sie das Anschlussventil (8); der Klemmhebel (7) befindet sich dann in der in Abbildung D1 gezeigten Position.
2. Stecken Sie das offene Anschlussventil (8) in das Ventil des aufzublasenden Gegenstands. (Eventuell müssen Sie zuerst den Ventildeckel dieses Gegenstands entfernen.)
3. Halten Sie das Anschlussventil (8) fest und schließen Sie die Verbindung, indem Sie den Klemmhebel (7) in Richtung Anschlussventil (8) drücken.

#### Anschließen des Hochdruckanschlussventils mit Ventiladapter



*Achten Sie darauf, Fußbälle nicht zu stark aufzublasen, da sie platzen könnten.*



*Aufgrund der unterschiedlichen Materialzusammensetzungen von Luftmatratzen, Schlauchbooten usw. kann der jeweilige Luftdruck nicht genau angegeben werden. Achten Sie deshalb darauf, dass Sie solche Gegenstände nicht übermäßig aufpumpen, da sie sonst platzen könnten.*

#### Ventiladapter für Bälle und der extra kleine Ventiladapter für aufblasbare Gegenstände

1. Öffnen Sie das Anschlussventil (8); der Klemmhebel (7) befindet sich dann in der in Abbildung D1 gezeigten Position.
2. Schieben/drehen Sie den jeweiligen Ventiladapter

- (14, 15) in die Öffnung im Anschlussventil (8).
3. Sichern Sie den Ventiladapter (14, 15) durch Schließen des Anschlussventils (8), indem Sie den Klemmhebel (7) wie in Abbildung D2 gezeigt in Richtung des Anschlussventils (8) drücken.
4. Stecken Sie den Ventiladapter (14, 15) in das Ventil des aufzublasenden Gegenstands. (Eventuell müssen Sie zuerst den Ventildeckel dieses Gegenstands entfernen.)

#### Ventiladapter für Reifen

1. Drehen Sie den Ventiladapter (16, 17, 18) in das Ventil des Reifens. (Eventuell müssen Sie zuerst den Ventildeckel dieses Reifens entfernen.)
2. Öffnen Sie das Anschlussventil (8); der Klemmhebel (7) befindet sich dann in der in Abbildung D1 gezeigten Position.
3. Schieben Sie das Anschlussventil (8) auf den Ventiladapter (16, 17, 18)
4. Stellen Sie das Anschlussventil (8) fest, indem Sie den Klemmhebel (7) wie in Abbildung D3 gezeigt in Richtung des Anschlussventils (8) drücken.

#### Einstellung des automatischen Abschaltendrucks (Abb. E)

1. Drücken Sie den Druckwähler (21) auf dem Bedienfeld, um zwischen den verschiedenen Druckeinheiten (PSI, BAR, kPa) umzuschalten, bis die gewünschte Einheit angezeigt wird.
2. Drücken Sie auf dem Bedienfeld die Taste „+“ oder „-“, bis der gewünschte Druck auf dem Display angezeigt wird. Wenn Sie die Taste „+“ oder „-“ gedrückt halten, können Sie schneller nach oben oder unten gehen und die Taste „+“ oder „-“ bei der gewünschten Druckeinheit loslassen.

**Hinweis:** Nach 3 Sekunden blinkt die Anzeige und kehrt zu einem Wert von „0,0“ zurück. Das ist normal. Der gewählte Druckwert wird gespeichert.

3. Bringen Sie den Betriebsartenwahlschalter I/O/II (20) in die Position „I“, um das Gerät zum Starten des Hochdrucks einzuschalten.
4. Sobald der aufzublasende Gegenstand den voreingestellten Druckwert erreicht hat, schaltet sich das Gerät automatisch aus.

**Hinweis:** Möglicherweise stellen Sie fest, dass der tatsächliche Druckmesswert nach ein paar Sekunden abfällt. Das ist normal.



- Um den Kompressor jederzeit zu stoppen, stellen Sie den Betriebsartenwahlschalter I/0/II (20) in die Position „0“, um das Gerät auszuschalten.

**Hinweis:** Wenn der Netzschalter ausgeschaltet wird, gehen alle Einstellungen verloren und müssen neu eingegeben werden. Dieses Sicherheitsmerkmal soll das Risiko verringern, dass Gegenstände ÜBERMÄSSIG AUFGEBLASEN werden.

**Hinweis:** Nach einigen Minuten geht das Gerät automatisch aus. Drücken Sie den Druckwähler (21), um das Gerät einzuschalten; daraufhin schaltet sich das Display (28) ein.

**Hinweis:** Wenn der Dunlop-Ventiladapter verwendet wird, zeigt das Manometer aufgrund der Eigenschaften des Ventils keinen genauen Wert an. Verwenden Sie beim Aufpumpen eines Reifens daher nicht den Wert auf dem Manometer, sondern behalten Sie beim Aufpumpen den Zustand des Reifens im Blick. Wenn das Werkzeug stoppt, bevor der Reifen den gewünschten Luftdruck erreicht hat, passen Sie den Druckwert an und pumpen Sie den Reifen weiter auf.

**Hinweis:** Wenn ein Schwimmreifen aufgeblasen wird, zeigt das Manometer keinen genauen Wert an, da der Druck des Schwimmreifens weniger als 20 kPa (3 PSI) beträgt. Wenn Sie einen Schwimmreifen aufblasen, verwenden Sie daher nicht den Wert auf dem Manometer, sondern behalten Sie beim Aufblasen den Zustand des Schwimmreifens im Blick.

#### Verwendung des Kompressors als Manometer

**Hinweis:** Dieses Gerät verfügt über einen Speichermodus für die Voreinstellungsfunktion. Achten Sie darauf, das Gerät auszuschalten, um den Speicher zu löschen, bevor Sie die Druckmesserfunktion verwenden.

- Drücken Sie den Druckwähler (21), um das Gerät einzuschalten; daraufhin schaltet sich das Display (28) ein.
- Befestigen Sie den an das zu Messende Ventil angeschlossenen Schlauch wieder.
- Die Digitalanzeige gibt den Druck des Gegenstands an.

#### Entfernen des Anschlussventils (Abb. D1, D2)

- Entfernen mit oder ohne Ventiladapter: Öffnen Sie den Klemmhebel (7) für das Anschlussventil (8) und nehmen Sie es vom Ventil bzw. Adapter des aufblasbaren Gegenstands ab.
- Entfernen Sie alle Adapter und schließen Sie das Ventil des aufgeblasenen Gegenstands (Ball, andere aufblasbare Gegenstände oder Reifen).

**Hinweis:** Beim Entfernen des Anschlussventils (8) von dem aufzublasenden Gegenstand kann Luft aus dem Ventil entweichen. Achten Sie darauf, das Anschlussventil (8) nicht zu schnell zu entfernen. Es kann erforderlich sein, den benötigten Druck etwas zu erhöhen, um die entweichende Luft auszugleichen.

#### Halterung für Hochdruckschlauch- und Ventiladapter (Fig. F, G)

- Der Hochdruckschlauch (9) befindet sich in einer Halterung (10) auf der Rückseite des Geräts. Wickeln Sie den Hochdruckschlauch in der Halterung auf.
- Die Ventiladapter (14, 15, 16) werden an der Rückseite des Geräts im Inneren der Halterung für Ventiladapter (19) aufbewahrt.

#### NIEDERDRUCK, GROSSES VOLUMEN – AUFBLASBARE GEGENSTÄNDE – SCHALTER ‘II’

##### Aufblasen

##### Anschließen des Niederdruckschlauchs an den Kompressor (Abb. H1)

- Nehmen Sie den Niederdruckschlauch (11) aus der Halterung (12).
- Richten Sie die Kerben (24) des Schlauchs an den Noppen (23) des Niederdruckanschlusses (22) aus.
- Schieben Sie dann den Schlauch auf und drehen Sie ihn zum Sichern gegen den Uhrzeigersinn.
- Zum Entfernen drehen Sie den Schlauch im Uhrzeigersinn und schieben ihn herunter.

**Hinweis:** Viele aufblasbare Gegenstände, insbesondere Luftmatratzen, besitzen eine Innenklappe, die einen Luftverlust beim Aufblasen verhindert. Wenn diese Klappe nicht durch die Düse beiseite geschoben wird, lässt sich der aufblasbare Gegenstand nicht aufblasen. Drücken Sie die Düse daher fest in das Ventil, um sicherzustellen, dass diese Klappe beiseite geschoben wird.

**WARNUNG:** Berstgefahr. Ein zu hoher Luftdruck kann ein gefährliches Berst- oder Verletzungsrisiko darstellen. Beachten Sie den maximalen Druckwert des Herstellers des aufblasbaren Gegenstands.

**Für einige Ventile ist am Niederdruckschlauch ein Anschluss mit einer anderen als der Standardgröße erforderlich:**

- Stecken Sie dann den Adapter, der an den Niederdruckschlauch (11) angeschlossen wird, auf das Schlauchende.
- Wählen Sie zwischen dem großen, mittleren und kleinen Anschlussstück (13).
- Prüfen Sie den Sitz, bevor Sie es am Niederdruckschlauch (11) anbringen.
- Bringen Sie das gewählte Anschlussstück an, indem Sie es auf den Niederdruckschlauch drücken.

#### Luft ablassen

**Anschließen des Niederdruckschlauchs an den Kompressor (Abb. H2)**

1. Nehmen Sie den Niederdruckschlauch (11) aus der Halterung (12).
2. Schieben Sie den Schlauch in den Ablansschluss (25)
3. Stecken Sie den Schlauch mit dem richtigen Adapter in den Gegenstand, aus dem die Luft abgelassen werden soll

#### Einstellung des automatischen Abschaltedrucks

Während der Verwendung des Niederdruckmodus ist es nicht möglich, den automatischen Abschaltedruck zu verwenden.

#### Leuchte (4) (Abb. E)

**Hinweis:** Solange der Akku am Gerät angebracht oder das Gerät mit dem 12V-Zigarettenanzünder verbunden und im Ruhezustand ist, leuchten die LEDs nicht.

- Drücken Sie den Druckwähler (21), um das Gerät einzuschalten; daraufhin schaltet sich das Display (28) ein.
- Schalten Sie die Leuchte ein, indem Sie den Lichtschalter (26) drücken.
- Schalten Sie die Leuchte aus, indem Sie den Lichtschalter (26) drücken.

## 4. WARTUNG



*Schalten Sie das Werkzeug immer aus, und entnehmen Sie den Akku aus dem Gerät, bevor Sie Reinigungs- oder Wartungsarbeiten am Werkzeug vornehmen.*

Reinigen Sie das Werkzeuggehäuse regelmäßig mit einem weichen Lappen, vorzugsweise nach jeder Verwendung. Stellen Sie sicher, dass die Lüftungsöffnungen frei von Staub und Schmutz sind. Entfernen Sie anhaftenden Schmutz mit einem weichen Lappen, der leicht mit Seifenwasser befeuchtet wurde. Verwenden Sie keine Lösungsmittel wie Benzin, Alkohol, Ammoniak usw., da Chemikalien dieser Art die Kunststoffteile beschädigen.

## UMWELTSCHUTZ



*Schadhafte und/oder zu entsorgende elektrische oder elektronische Werkzeuge und Geräte müssen an den dafür vorgesehenen Recycling-Stellen abgegeben werden.*

#### Nur für EG-Länder

Entsorgen Sie Elektrowerkzeuge nicht über den Hausmüll. Entsprechend der EU-Richtlinie 2012/19/EG über Elektro- und Elektronik-Altgeräte sowie der Umsetzung in nationales Recht müssen Elektrowerkzeuge, die nicht mehr im Gebrauch sind, getrennt gesammelt und umweltschonend entsorgt werden.

## GARANTIE

VONROC-Produkte werden nach den höchsten Qualitätsstandards entwickelt und sind für den gesetzlich festgelegten Zeitraum, ausgehend von dem ursprünglichen Kaufdatum, garantiert frei von Fehlern in Material und Ausführung. Sollte das Produkt in diesem Zeitraum aufgrund von Material- und/oder Verarbeitungsmängeln Fehler aufweisen, wenden Sie sich bitte direkt an VONROC Kundendienst.

Folgende Umstände sind von der Garantie ausgeschlossen:

- Reparaturen und oder Änderungen an der Maschine, die durch nicht-autorisierte Servicestellen vorgenommen oder versucht wurden.
- Normale Abnutzung und Verschleiß.

- Das Werkzeug wurde übermäßig beansprucht, missbräuchlich verwendet oder falsch gewartet.
- Es wurden keine Original-Ersatzteile verwendet.

Dies stellt die einzige Gewährleistung des Unternehmens dar, sowohl ausdrücklich als auch implizit.

Es gibt keine anderen ausdrücklichen oder stillschweigenden Garantien, die über das hier Genannte hinausgehen, einschließlich der stillschweigenden Garantien der Marktgängigkeit oder Eignung für einen bestimmten Zweck. In keinem Fall ist VONROC haftbar für Neben- oder Folgeschäden. Die Rechtsmittel des Händlers beschränken sich auf Reparatur oder Ersatz fehlerhafter Einheiten oder Teile.

**Am Produkt und am Benutzerhandbuch können Änderungen vorgenommen werden. Die technischen Daten können sich ohne Vorankündigung ändern.**

## 1. VEILIGHEIDSVOORSCHRIFTEN

Lees de bijgesloten veiligheidsvoorschriften, de aanvullende veiligheidsvoorschriften en de instructies. Het niet in acht nemen van de veiligheidsvoorschriften en de instructies kan leiden tot elektrische schok, brand en/of ernstig letsel. Bewaar de veiligheidsvoorschriften en de instructies voor toekomstig gebruik.

De volgende symbolen worden gebruikt in de gebruikershandleiding of op het product:



*Lees de gebruikershandleiding.*



*Gevaar voor lichamelijk letsel, overlijden of schade aan de machine wanneer de instructies in deze handleiding niet worden opgevolgd.*



*Draag een veiligheidsbril.  
Draag veiligheidshandschoenen.*



*Niet gebruiken in regen.*



*Miniaturzekering met vertragingstijd.*



*Max temperatuur 45 °C.*



*Accu niet verbranden.*



*Accu niet in het water gooien.*



*Aparte inzameling van Li-ion-accu's.*



*Werp het product niet weg in ongeschikte containers.*



*Het product is in overeenstemming met de van toepassing zijnde veiligheidsnormen in de Europese richtlijnen.*

### ALGEMENE VEILIGHEIDSVOORSCHRIFTEN



**WAARSCHUWING! Lees alle veiligheids-  
waarschuwingen en alle instructies. Het  
niet opvolgen van onderstaande instructies  
kan leiden tot een elektrische schok, brand  
en/of ernstig persoonlijk letsel.**

**Bewaar deze instructies.**

De term “elektrisch gereedschap” in onderstaande waarschuwingen heeft betrekking op zowel apparatuur met een vaste elektriciteitskabel als op apparatuur met een accu (draadloze apparatuur).

**1) Werkgebied**

- a) **Zorg voor een opgeruimde en goed verlichte werkomgeving.** Rommelige en donkere werkomgevingen leiden tot ongelukken
- b) **Gebruik elektrisch gereedschap nooit in een omgeving waar explosiegevaar bestaat, zoals in de nabijheid van ontvlambare vloeistoffen, gassen, dampen of andere stoffen.** Elektrische gereedschappen kunnen vonken veroorzaken, die deze stoffen tot ontbranding kunnen brengen.
- c) **Wanneer u elektrisch gereedschap gebruikt, houd dan kinderen en omstanders op afstand.** Wanneer u wordt afgeleid, kunt u de controle over het gereedschap verliezen.

**2) Elektrische veiligheid**

- a) **Stekkers van elektrische gereedschappen moeten probleemloos passen op het stopcontact. Breng nooit wijzigingen aan in of aan de stekker. Gebruik geen adapters voor geaarde elektrische gereedschappen.** Standaardstekkers en passende stopcontacten verkleinen de kans op een elektrische schok.
- b) **Voorom lichamelijk contact met geaarde oppervlakken van bijvoorbeeld pijpen, leidingen, radiatoren, fornuizen en koelkasten.** Wanneer uw lichaam geaard is, wordt de kans op een elektrische schok groter.
- c) **Stel elektrische gereedschappen nooit bloot aan regen of vocht.** Wanneer er water binnendringt in een elektrisch gereedschap, wordt de kans op een elektrische schok groter.
- d) **Gebruik het snoer niet om het elektrisch gereedschap te dragen, te verplaatsen of de stekker uit het stopcontact te trekken. Bescherm het snoer tegen olie, warmte, scherpe randen en bewegende delen.** Beschadigde of vastzittende snoeren vergroten de kans op een elektrische schok.
- e) **Wanneer u elektrische gereedschappen buiten gebruikt, gebruik dan een verlengkabel die geschikt is voor buitengebruik.** Door een kabel te gebruiken die geschikt is voor buitengebruik, wordt de kans op een elektrische schok kleiner.
- f) **Gebruik een aardlekbeveiliging (RCD) als niet te**

**voorkomen is dat een powertool moet worden gebruikt in een vochtige omgeving.** Gebruik van een RCD vermindert het risico van elektrische schokken.

**3) Persoonlijke veiligheid**

- a) **Blijf altijd alert, kijk goed wat u doet en gebruik uw gezonde verstand wanneer u een elektrisch gereedschap gebruikt. Gebruik geen elektrische gereedschappen wanneer u moe bent, of drugs, alcohol of medicijnen hebt gebruikt.** Eén moment van onachtzaamheid bij het gebruik van elektrische gereedschappen kan ernstige verwondingen tot gevolg hebben.
- b) **Gebruik persoonlijke beschermingsmiddelen. Draag altijd een veiligheidsbril.** Een gepast gebruik van veiligheidsvoorzieningen, zoals een stof masker, speciale werkschoenen met antislipzolen, een veiligheidshelm en gehoorbescherming verkleinen de kans op persoonlijk letsel.
- c) **Voorom dat het gereedschap per ongeluk wordt gestart. Zorg dat de schakelaar op de UITpositie staat, voordat u de stekker in het stopcontact steekt.** Draag elektrisch gereedschap nooit met uw vinger op de schakelaar en steek ook nooit de stekker van ingeschakelde elektrische gereedschappen in het stopcontact: dit leidt tot ongelukken.
- d) **Verwijder alle instel en andere sleutels uit het elektrisch gereedschap voordat u hem inschakelt.** Instel en andere sleutels aan een ronddraaiend onderdeel van het elektrisch gereedschap kunnen tot verwondingen leiden.
- e) **Zorg dat u nooit uw evenwicht kunt verliezen; houd altijd twee voeten stevig op de vloer.** Hierdoor kunt u het elektrisch gereedschap in onverwachte situaties beter onder controle houden.
- f) **Zorg dat u geschikte kleding draagt. Draag geen loshangende kleding of sieraden. Houd uw haar, kleding en handschoenen uit de buurt van bewegende delen.** Loshangende kleding, sieraden en lang haar kunnen vast komen te zitten in bewegende delen.
- g) **Wanneer er voorzieningen zijn voor de aansluiting van stofafzuiginstallaties, zorg dan dat ze op de juiste wijze worden aangesloten en gebruikt.** Gebruik van deze voorzieningen vermindert de gevaren die door stof worden veroorzaakt.
- h) **Denk niet dat doordat u gereedschap vaak gebruikt, u wel weet hoe het allemaal werkt en dat u de veiligheidsbeginselen voor het gebruik**

van het gereedschap wel kunt negeren. Een onbezonnen actie kan in een fractie van een seconde ernstig letsel tot gevolg hebben.

#### 4) Gebruik en onderhoud van elektrisch gereedschap

- a) **Oefen geen overmatige kracht uit op elektrisch gereedschap. Gebruik het juiste gereedschap voor uw specifieke toepassing.** Met het juiste elektrische gereedschap voert u de taak beter en veiliger uit wanneer dit op de snelheid gebeurt waarvoor het apparaat is ontworpen.
- b) **Gebruik nooit elektrisch gereedschap waarvan de AAN/UITschakelaar niet werkt.** Ieder elektrisch gereedschap dat niet kan worden in en uitgeschakeld met de schakelaar is gevaarlijk en moet worden gerepareerd.
- c) **Trek de stekker uit het stopcontact voordat u wijzigingen aanbrengt aan elektrische gereedschappen, accessoires verwisselt of het elektrisch gereedschap opbergt.** Wanneer u zich aan deze preventieve veiligheidsmaatregelen houdt, beperkt u het risico dat het gereedschap per ongeluk wordt gestart.
- d) **Berg elektrisch gereedschap dat niet in gebruik is op buiten bereik van kinderen en laat personen die niet bekend zijn met het gereedschap of deze instructies het apparaat niet gebruiken.** Elektrisch gereedschap is gevaarlijk in de handen van ongevoefde gebruikers.
- e) **Zorg voor een goed onderhoud van elektrisch gereedschap. Controleer of bewegende delen op de juiste wijze zijn vastgezet. Controleer ook of er geen onderdelen defect zijn of dat er andere omstandigheden zijn die van invloed kunnen zijn op de werking van het gereedschap. Laat het gereedschap bij beschadigingen repareren vóór gebruik.** Veel ongelukken worden veroorzaakt door slecht onderhoud van het gereedschap.
- f) **Zorg dat snij en zaagwerktuigen scherp en schoon blijven.** Goed onderhouden snij en zaagwerktuigen met scherpe randen zullen minder snel vastlopen en zijn eenvoudiger onder controle te houden.
- g) **Gebruik alle elektrische gereedschappen, accessoires, bitjes etc., zoals aangegeven in deze instructies en op de wijze waarvoor het gereedschap is ontworpen. Houd daarbij rekening met de werkomstandigheden en de uit te voeren taak.** Gebruik van elektrisch gereedschap voor handelingen die afwijken van de taken waarvoor het apparaat is ontworpen

kunnen leiden tot gevaarlijke situaties.

- h) **Houd handgrepen en greepoppervlakken droog, schoon en vrij van olie en vet.** Gladde handgrepen en greepoppervlakken maken veilig werken en controle over het gereedschap in onverwachte situaties onmogelijk.
- #### 5) Gebruik en onderhoud accugereedschap
- a) **Laad alleen op met de lader die door de fabrikant is gespecificeerd.** Een lader die voor een bepaalde accu geschikt is, kan brand veroorzaken wanneer deze met een andere accu wordt gebruikt.
  - b) **Gebruik elektrisch gereedschap alleen met de speciaal hiervoor bedoelde accu's.** Gebruik van andere accu's kan kans op letsel en brand geven.
  - c) **Wanneer de accu niet in gebruik is, houd deze dan uit de buurt van andere metalen voorwerpen zoals paperclips, munten, sleutels, spijkers, schroeven of andere kleine metalen voorwerpen die een verbinding tussen twee polen kunnen maken.** Kortsluiting tussen de accupolen kan brandwonden of brand veroorzaken.
  - d) **Wanneer de accu niet juist wordt gebruikt, kan er vloeistof uit lopen; raak dit niet aan. Wanneer dit per ongeluk wel gebeurt, spoel dan met water. Wanneer de vloeistof in de ogen komt, moet u een arts raadplegen.** De vloeistof uit de accu kan irritaties of brandwonden veroorzaken.
  - e) **Gebruiken niet een accu of gereedschap dat beschadigd is of gemodificeerd.** Beschadigde of gemodificeerde accu's kunnen onvoorspelbaar gedrag vertonen, wat brand, explosie of een risico van letsel met zich meebrengt.
  - f) **Stel een accu over het gereedschap niet bloot aan open vuur of een uitzonderlijk hoge temperatuur.** Blootstelling aan vuur of een temperatuur hoger dan 130 °C, kan een explosie veroorzaken. NB De temperatuur van "130 °C" kan worden vervangen door de temperatuur van "265 °F".
  - g) **Houd u aan alle instructies voor het laden en laad de accu of het gereedschap niet op buiten het temperatuurbereik dat in de instructies wordt aangeduid.** Op een onjuiste wijze laden of laden bij temperaturen buiten het aangeduide bereik kan de accu beschadigen en het risico van brand doen toenemen.
- #### 6) Service
- a) **Laat uw gereedschap onderhouden door een gekwalificeerde onderhoudstechnicus**

- die alleen gebruikmaakt van identieke vervangingsonderdelen.** Dit zorgt ervoor dat de veiligheid van de powertool intact blijft.
- b) **Voer nooit servicewerkzaamheden uit aan beschadigde accu's.** Alleen de fabrikant of geautoriseerde service-providers mogen servicewerkzaamheden aan accu's uitvoeren.

### AANVULLENDE VEILIGHEIDSWAARSCHUWINGEN VOOR ACCU LUCHTCOMPRESSORS

- **Dit apparaat mag worden gebruikt door kinderen vanaf 8 jaar en door personen met verminderde lichamelijke, zintuiglijke of geestelijke vermogens, of met een gebrek aan ervaring en kennis, mits zij onder toezicht staan of geïnstrueerd zijn betreffende het veilig gebruik van het apparaat en zich bewust zijn van de ermee verbonden risico's.**
- **Kinderen mogen niet met het apparaat spelen. Reiniging en gebruikersonderhoud mogen niet door kinderen zonder toezicht worden uitgevoerd.**
- Ontploffingsgevaar - stel de drukregelaar niet hoger in dan de maximaal toegestane druk van het product.
- Risico op letsel - richt de luchtstraal nooit op mensen of dieren.
- Niet gebruiken als ademlucht.
- Laat de compressor niet lang onbeheerd achter wanneer deze aanstaat. Verwijder de accu na gebruik uit de compressor.
- Gebruik de compressor alleen op goed geventileerde plaatsen. Dek de compressor tijdens gebruik niet af.
- Niet de ventieldop verwijderen of interne componenten aanpassen.
- Gebruik de luchtslang niet om de compressor te verplaatsen.
- Het gebruik van accessoires of hulpstukken die niet door de fabrikant worden aangeraden kan een risico op letsel veroorzaken.
- Alle luchtslang onderdelen, inclusief slangen, buizen, connectoren, filters, etc., moeten zijn goedgekeurd voor een minimale werkdruk van 160 PSI, of 150% van de maximale druk van de compressor, welke van de twee het hoogste is.
- Zorg goed voor labels en de typeplaat op de compressor. Deze bevatten belangrijke veiligheidsinformatie.
- Dit product is geen speelgoed. Houd het buiten bereik van kinderen.

- Draag tijdens gebruik een goedgekeurde veiligheidsbril met CE certificering en werkhandschoenen.
- Stel het apparaat niet bloot aan regen en natte omstandigheden.
- Mensen met een pacemaker moeten voor gebruik een huisarts raadplegen. Elektromagnetische velden kunnen de werking van pacemakers beïnvloeden of zelfs helemaal stopzetten.
- Laat het apparaat niet onbeheerd achter als de accu is aangesloten. Schakel het apparaat uit en verwijder de accu voordat u weggaat.
- Binnen het werkgebied is de gebruiker verantwoordelijk voor schade die door derden wordt veroorzaakt door het gebruik van dit apparaat.
- Richt het apparaat tijdens gebruik nooit op uzelf of anderen, vooral niet op ogen en oren. Er bestaat gevaar voor lichamelijk letsel!
- Uw kleding nooit met de perslucht reinigen.
- Laat het apparaat tijdens gebruik nooit onbeheerd achter en neem de instructies in acht voor het oppompen van het opblaasbare product.
- Het opblaasbare product kan uit elkaar klappen en ernstig lichamelijk letsel veroorzaken.
- De waarschuwingen, voorzorgsmaatregelen en instructies die in deze handleiding worden besproken, kunnen onmogelijk alle mogelijke omstandigheden en situaties die kunnen voorkomen behandelen. De gebruiker moet er dus te allen tijde van bewust zijn dat gezond verstand gebruiken en voorzichtig zijn factoren zijn die niet in het apparaat kunnen worden ingebouwd.

### VEILIGHEID TIJDENS GEBRUIK VAN DE ACCU COMPRESSOR



**VOORZICHTIG:** Het voorkomen van schade aan het apparaat en mogelijk daaropvolgend lichamelijk letsel:

- Gebruik het apparaat niet tijdens het rijden.
- Controleer het apparaat vóór gebruik op beschadigingen en gebruik het alleen in goede staat.
- Het apparaat niet blootstellen aan regen of vochtige weersomstandigheden en het niet in contact laten komen met water. Risico op een elektrische schok!
- Houd alle openingen van het apparaat vrij tijdens het gebruik ervan. Sluit de openingen niet

met uw handen of vingers en dek het apparaat niet af. Risico op oververhitting!

- Laat het apparaat niet achter in een auto wanneer het buiten warm is.
- Het apparaat kan onherstelbaar beschadigd raken.
- Het apparaat wordt heet tijdens gebruik. Het aanraken van hete oppervlakken vormt een risico op brandwonden.
- Zorg ervoor dat er geen zand, stof of andere kleine deeltjes in de openingen voor luchttoevoer en/of luchtafvoer terechtkomen.
- Gebruik het apparaat niet in de buurt van brandbare vloeistoffen of gassen. Zuig geen hete stoom aan. Het niet in acht nemen van deze instructies kan brand of ontploffing tot gevolg hebben!
- Schakel het apparaat uit en verwijder de accu:
  - wanneer het apparaat niet wordt gebruikt;
  - wanneer u het apparaat zonder toezicht achterlaat;
  - bij reiniging of onderhoud;
  - wanneer er vreemde voorwerpen in het apparaat terechtkomen of wanneer u een ongebruikelijk geluid hoort.
- Gebruik alleen toebehoren die door de fabrikant geleverd en aanbevolen zijn.
- Probeer het apparaat niet zelf te repareren.

#### VEILIGHEIDSVORSCHRIFTEN VOOR DE ACCU

- a) **Open de accu niet.** Er bestaat gevaar voor kortsluiting.
- b) **Bescherm de accu tegen hitte, bijvoorbeeld ook tegen voortdurend zonlicht, vuur, water en vocht.** Er bestaat explosiegevaar.
- c) **Bij beschadiging en onjuist gebruik van de accu kunnen er dampen vrijkomen. Zorg voor frisse lucht en raadpleeg bij klachten een arts.** De dampen kunnen de lucht wegen irriteren.
- d) **Gebruik de accu alleen in combinatie met uw Vonroc product.** Alleen zo wordt de accu tegen gevaarlijke overbelasting beschermd.
- e) **Door scherpe voorwerpen, zoals bijv. spijkers of schroevendraaiers of door krachtinwerking van buitenaf kan de accu beschadigd worden.** Het kan tot een interne kortsluiting leiden en de accu doen branden, roken, exploderen of oververhitten.

#### VEILIGHEIDSVORSCHRIFTEN VOOR DE LADER

##### Bedoeld gebruik

Laad uitsluitend herlaadbare accupacks van het type CD801AA en CD803AA. Andere typen accu's kunnen exploderen, wat lichamelijk letsel en schade kan veroorzaken.

- a) **Het apparaat dient niet te worden gebruikt door personen (inclusief kinderen) met verminderde fysieke, zintuiglijke of mentale functies of personen zonder enige ervaring en kennis, tenzij zij onder toezicht staan of zijn geïnstrueerd.**
- b) **Laat kinderen onder toezicht niet met het apparaat spelen.**
- c) **Laad niet-herlaadbare accu's niet opnieuw op!**
- d) **Plaats de accu's tijdens het opladen in een goed geventileerde ruimte!**

#### OVERBLIJVENDE RISICO'S

**Zelfs wanneer de elektrische machine op de voorschreven wijze wordt gebruikt, is het niet mogelijk alle overblijvende risicofactoren weg te nemen. De volgende risico's kunnen optreden in verband met de constructie en het ontwerp van de elektrische machine:**

- a) Gezondheidsklachten die het gevolg zijn van de trillingsemisatie bij langdurig of onjuist gebruik of onjuist onderhoud van de powertool.
- b) Letsel en schade aan eigendommen vanwege kapotte hulpstukken die opeens losschieten.



**Waarschuwing!** Deze powertool produceert een elektromagnetisch veld tijdens zijn werking. Dit veld kan onder bepaalde omstandigheden storend werken op actieve of passieve medische implantaten. Ter verkleining van het risico van ernstig of dodelijk letsel raden wij personen met medische implantaten aan om hun arts of de fabrikant van het medisch implantaat te raadplegen voordat zij deze elektrische machine gaan gebruiken.

## 2. TECHNISCHE INFORMATIE

##### Bedoeld gebruik

Het apparaat is bedoeld om banden (bijv. van een auto, motorfiets of fiets), ballen, luchtbedden en andere opblaasbare producten op te pompen. Het apparaat is ook bedoeld voor het opblazen/leeg laten lopen met lage druk, zoals luchtmatrassen,



vlotten en opblaasfiguren voor het zwembad. De snoerloze compressor werkt op een 20V-accu of een 12V-sigarettenaanstekeraansluiting (auto, camper, vrachtauto, enz.). Dit apparaat is niet geschikt voor langdurig gebruik langer dan 10 minuten. Langer gebruik kan het apparaat beschadigen en een ernstig gevaar vormen voor de gebruiker. De fabrikant is niet aansprakelijk voor schade veroorzaakt door oneigenlijk of verkeerd gebruik.

### TECHNISCHE SPECIFICATIES



*Deze gebruikshandleiding is opgesteld voor verschillende sets / artikelnummers.*

*Controleer het bijbehorende artikelnummer in de onderstaande specificaties voor de juiste samenstelling en inhoud van uw set.*

Model Nr.	Batterijen meegeleverd	Acculader meegeleverd
CR503DC	-	-
S_CR503DC	CD801AA	CD802AA
S2_CR503DC	2 x CD801AA	CD802AA
S3_CR503DC	CD803AA	CD802AA

Machine informatie	
Spanning accu	20V
Spanning sigarettenaanstekeraansluiting	12V
Vermogen sigarettenaanstekeraansluiting	60W
Luchtdruk	Max 160 PSI / 11 bar /1100 Kpa
Hogedrukslang lengte	790mm
Lagedrukslang lengte	360mm
Compressor volume	Max 12L/min
Blazer volume	Max 380L/min
Onbelaste snelheid	
Pomp	17000/min
Doortocht	22000/min
Continu gebruik	max. 10 min*
Geluidsdruk niveau $L_{PA}$	71,2 dB(A), K=3dB(A)
Geluidsvermogensniveau $L_{WA}$	82,2 dB(A), K=3dB(A)

Model Nr.	CD801AA
Accu type	Lithium-Ion
Voltage	20V
Vermogen	2,0 Ah
Aanbevolen laadapparaat	CD802AA
Gewicht	0,3 kg

Model Nr.	CD802AA
Acculader ingang	220-240V, 50Hz 0,4A
Acculader uitgangsvermogen	21V  2,5A
Oplaadtijd 2Ah accu	60 minuten
Oplaadtijd 4Ah accu	120 minuten
Aanbevolen accu's	CD801AA, CD803AA
Gewicht	0,36 kg

Model Nr.	CD803AA
Accu type	Lithium-Ion
Voltage	20V
Vermogen	4,0 Ah
Aanbevolen laadapparaat	CD802AA
Gewicht	0,65 kg

\* Voor een optimale levensduur mag u het apparaat niet langer dan 10 minuten ononderbroken gebruiken; wacht daarna 10 minuten.

Gebruik uitsluitend de volgende accu's van het VONROC VPOWER 20V accu-platform. Gebruik van andere accu's kan leiden tot ernstig letsel of tot beschadiging van het gereedschap.  
CD801AA 20V, 2Ah Lithium-Ion  
CD802AA 20V, 4Ah Lithium-Ion

De volgende lader kan worden gebruikt voor het opladen van deze accu's.  
CD803AA Snellader

De accu's van het VONROC VPOWER 20V accu-platform kunnen worden gewisseld tussen alle gereedschappen van het VONROC VPOWER 20V accu-platform.

## BESCHRIJVING

De nummers in de tekst verwijzen naar de diagrammen op pagina 2 - 4.

1. Machine
2. Accu
3. Ontgrendelknop accu
4. Werklamp
5. Acculader
6. Led-controlelampje acculader
7. Vastzethendel
8. Hogedruk aansluitventiel
9. Hogedrukslang
10. Opslag hogedrukslang
11. Lagedrukslang
12. Opslag lagedrukslang
13. Groot / middel / klein adapter voor opblazen/ leeg laten lopen
14. Extra klein ventieladapter
15. Ventieladapter voor ballen
16. Ventieladapter voor Dunlop/Blitz fietsventielen (Hollands ventiel)
17. Ventieladapter voor Presta fietsventielen (Frans ventiel)
18. Ventieladapter voor Schröder fietsventielen (Auto ventiel)
19. Ventieladapter opslag
20. Modus selectie I / O / II
21. Bedieningspaneel + / "PSI/BAR/KPA" / -
22. Aansluiting voor oppompen
23. Noppen
24. Inkepingen
25. Aansluiting voor leeg laten lopen
26. Schakelaar werklicht
27. Accu indicatielamp-knop
28. Display
29. 12V-sigarettenaanstekerstekker
30. Opbergvak voor sigarettenaanstekerstekker
31. Led-controlelampjes accu
32. Led-controlelampjes knop

## 3. BEDIENING

### Eerste gebruik (Afb. A)



*Het apparaat niet in stoffige omgevingen gebruiken. Dit kan brandgevaar opleveren en het apparaat kan hierdoor beschadigd raken.*



*Om oververhitting tijdens het opblazen te voorkomen, moet u de luchtinvoer en ventilatiegaten vrij houden van obstructies. Gebruik tijdens gebruik altijd CE gecertificeerde oogbescherming.*

Plaats het product op een vlakke, niet-brandbare ondergrond. Afhankelijk van het opblaasbare product of de band kunt u hoge of lage druk gebruiken. De hogedruk instelling kunt u het beste gebruiken als u een vooraf ingestelde druk wilt gebruiken; stel de gewenste druk in en het apparaat stopt automatisch bij de ingestelde druk. De lagedruk instelling kunt u het beste gebruiken voor het oppompen van grote opblaasbare producten.

- Afhankelijk van de band kunt u het hogedruk aansluitventiel (8) rechtstreeks of samen met één van de meegeleverde ventieladapters (16, 17, 18) gebruiken
- Gebruik een ventieladapter voor ballen (15) (hoge druk)
- Gebruik de extra kleine ventieladapter (14) voor hoge druk opblaasbare producten met een klein ventiel
- Afhankelijk van het opblaasbare product kunt u het lagedruk aansluitventiel (11) rechtstreeks of samen met één van de meegeleverde slangadapters (13) gebruiken



*Voor opblaasbare producten met tegendruk (bijv. een gedeeltelijk gevulde autoband): Schakel het apparaat in voordat u het hogedruk aansluitventiel (8) op de band aanbrengt.*

Dit product is niet geschikt voor continu gebruik. Het product is gemaakt om luchtdruk (en niet luchtvolume) te produceren. Gebruik het product niet langer dan 10 minuten zonder onderbreking om oververhitting en beschadiging van het apparaat te voorkomen. Laat het apparaat daarna gedurende minimaal 10 minuten afkoelen.

Wanneer het apparaat 3 minuten niet wordt gebruikt schakelt het automatisch in de slaapstand. In de slaapstand kan de ledlamp niet worden gebruikt.



*De accu moet zijn opgeladen voordat deze voor het eerst wordt gebruikt.*

**Voor gebruik 20V-accu:****De accu van de machine verwijderen (Afb. B1)**

- Duw op de ontgrendelingsknoppen van de accu (3) en trek de accu uit de machine.

**De accu in de machine plaatsen (Afb. B1)**

Zorg ervoor dat het oppervlak van de accu schoon en droog is voordat u deze op de acculader of de machine aansluit.

- Plaats de accu (2) in de onderkant van de machine.
- Duw de accu verder naar voren tot deze vastklikt.



Wanneer de machine gedurende langere tijd niet wordt gebruikt, kunt u de accu het beste in geladen toestand opbergen.



Het apparaat trilt tijdens gebruik. Plaats het apparaat tijdens gebruik altijd op de rubberen voeten.

**De laadstatus van de accu controleren (Afb. B2)**

- Druk kort op de knop (32) op de accu om de laadstatus van de accu te controleren.
- Op de accu bevinden zich 3 lampjes die het laadniveau aangeven. Hoe meer lampjes branden, des te meer is de accu opgeladen.
- Wanneer de lampjes niet branden, wil dit zeggen dat de accu leeg is en onmiddellijk moet worden opgeladen.

**De accu laden met de acculader (Afb. B2)**

1. Haal de accu (2) uit de machine.
2. Draai de accu (2) ondersteboven en schuif deze op de acculader (5), zoals is weergegeven in Afb. B2.
3. Duw op de accu tot deze volledig in de sleuf zit.
4. Steek de stekker van de acculader in een stopcontact en wacht even. De Led-lampjes op de acculader (6) gaan branden en tonen de status van de lader.

**De acculader heeft 2 led-controlelampjes (31) dat de status van het laadproces aangeeft:**

Status rode LED	Status groene LED	Status van acculader
Uit	Uit	Geen stroom
Uit	Aan	Standby mode: - Geen accu geplaatst, of - Opladen van de accu is beëindigd, de accu is volledig opgeladen
Aan	Uit	Bezig met opladen van accu

- Het kan tot 60 minuten duren voordat de 2Ah accu volledig is opgeladen.
- Het kan tot 120 minuten duren voordat de 4Ah accu volledig is opgeladen.

Verwijder, als de accu volledig is opgeladen, de stekker van de acculader uit het stopcontact en haal de accu uit de acculader.

**Voor gebruik 12V-sigarettenaanstekeraansluiting: Opbergvak sigarettenaanstekerstekker (Afb. C)**

U kunt de sigarettenaanstekerstekker onderin de machine opbergen.

**Aansluiten op de sigarettenaanstekeraansluiting (Afb. A)**

Controleer dat de sigarettenaanstekeraansluiting in uw voertuig een geschikte zekering heeft.

- Steek de sigarettenaanstekerstekker (29) in de 12V-sigarettenaanstekeraansluiting. Als u niet precies weet hoe dit gaat, raadpleeg dan de handleiding van het voertuig.

**De machine in- en uitschakelen**

- Druk op de Drukselectieknop (21) en het display (28) licht op.
- De machine schakelt zichzelf uit na enkele minuten of wanneer u de stekker van de accu / sigarettenaanstekerstekker uit de aansluiting trekt of wanneer u de Drukselectieknop (21) enkele seconden ingedrukt houdt, het display (28) gaat dan uit.

## HOGEDRUK, LAAG VOLUME – BANDEN & BALLEN - SCHAKELAAR 'I' (AFB. D1, D2)

### Aanbrengen van het hogedruk aansluitventiel zonder ventieladapter

1. Open het aansluitventiel (8), de vastzethendel (7) bevindt zich in de stand zoals getoond in afbeelding D1.
2. Steek het geopende aansluitventiel (8) in het ventiel van het opblaasbare product (verwijder indien nodig eerst het ventieldopje van het opblaasbare product).
3. Houd het aansluitventiel (8) vast en sluit deze: duw de vastzethendel (7) in de richting van het aansluitventiel (8).

### Aanbrengen van het aansluitventiel met ventieladapter



*Zorg ervoor dat voetballen niet te veel worden opgepompt, ze kunnen anders uit elkaar barsten.*



*Door de materiaalsamenstelling van luchtbedden, opblaasbare boten, enzovoorts, kan de luchtdruk niet precies worden aangegeven. Zorg er daarom voor dat deze producten niet te veel worden opgepompt, ze kunnen anders uit elkaar barsten.*

### Voor ventieladapters voor ballen en de extra kleine adapter voor opblaasbare producten

1. Open het aansluitventiel (8), de vastzethendel (7) bevindt zich in de stand zoals getoond in afbeelding D1.
2. Druk of draai de betreffende ventieladapter (14, 15) in de opening van het aansluitventiel (8).
3. Zet de ventieladapter (14, 15) vast door het aansluitventiel (8) te sluiten: duw de vastzethendel (7) in de richting van het aansluitventiel (8) zoals getoond in afbeelding D2.
4. Steek de ventieladapter (14, 15) in het ventiel van het opblaasbare product (verwijder indien nodig eerst het ventieldopje van het opblaasbare product).

### Voor ventieladapters voor banden

1. Draai de ventieladapter (16, 17, 18) op het ventiel van de band (verwijder indien nodig eerst het ventieldopje van de band).
2. Open het aansluitventiel (8), de vastzethendel

(7) bevindt zich in de stand zoals getoond in afbeelding D1.

3. Druk het aansluitventiel (8) op de ventieladapter (16, 17, 18)
4. Houd het aansluitventiel (8) vast: druk de vastzethendel (7) richting het aansluitventiel (8) zoals getoond in afbeelding D2.

### De druk voor automatisch uitschakelen instellen (Afb. E)

1. Druk op de drukeenheid keuzeknop (21) op het bedieningspaneel om te schakelen tussen de verschillende drukeenheden ( PSI, BAR, Kpa) tot de gewenste eenheid wordt weergegeven.
2. Druk op "+" of "-" op het bedieningspaneel tot de gewenste druk op het scherm wordt weergegeven. Door de "+" of "-" knop ingedrukt te houden kunt u sneller een hogere of lagere druk instellen, laat de "+" of "-" knop los bij de gewenste druk.

**NB:** Na 3 seconden knippert het scherm en wordt "0.0" weergegeven. Dit is normaal. De instelling van de druk blijft in het geheugen opgeslagen.

3. Zet de modus keuzeschakelaar I/0/II (20) in de 'I' stand om het apparaat in te schakelen met hogedruk.
4. Wanneer het opblaasbare product de vooraf ingestelde druk bereikt, schakelt het apparaat automatisch uit.

**NB:** U kunt zien dat de weergegeven waarde van de druk na een aantal seconden zakt. Dit is normaal.

5. U kunt de compressor altijd uitschakelen, zet de modus keuzeschakelaar I/0/II (20) in de '0' stand om het apparaat uit te schakelen.

**NB:** Wanneer de aan/uit-schakelaar op uit wordt gezet, gaan alle instellingen verloren en moeten ze opnieuw worden ingesteld. Dit is een veiligheidsfunctie die ervoor zorgt dat voorwerpen niet TE HARD worden opgeblazen.

**NB:** Na een aantal minuten schakelt het apparaat automatisch uit. Wilt u de machine inschakelen, druk dan op de Drukselectieknop (21), het display (28) licht op.

**NB:** Bij gebruik van een Dunlop ventiel geeft de manometer geen nauwkeurige waarde aan, dit komt door de kenmerken van het ventiel. Gebruik de waarde op de manometer niet tijdens het oppompen van een band, maar blaas de band op door de toestand van de band te controleren. Wanneer het apparaat stopt voordat de band de gewenste luchtdruk heeft bereikt, stel de luchtdruk dan opnieuw in en pomp de band nog een keer op.

**NB:** Wanneer u een zwemband oppompt geeft de manometer geen nauwkeurige waarde aan omdat de luchtdruk voor zwembanden lager is dan 20 kPa (3 PSI). Gebruik de waarde op de manometer niet tijdens het oppompen van een zwemband, maar blaas de zwemband op door de toestand van de band te controleren.

#### De compressor als drukmeter gebruiken

**NB:** Deze machine heeft een geheugenstand in een vooraf ingestelde functie. U moet er vooral aan denken de machine uit te schakelen en het geheugen leeg te maken voordat u de functie voor het meten van de druk gebruikt.

1. Wilt u de machine inschakelen, druk dan op de Drukselectiekноп (21), het display (28) licht op.
2. Plaats de slang op het ventiel dat moet worden gemeten.
3. De weergegeven waarde geeft de druk van het product aan.

#### Verwijderen van het aansluitventiel (Afb. D1, D2)

- Verwijderen met of zonder ventieladapter: Open de vastzethendel (7) van het aansluitventiel (8) en verwijder deze uit het ventiel en/of de adapter van het opblaasbare product.
- Verwijder indien van toepassing de adapter en sluit het ventiel van het opblaasbare product (bal, opblaasbaar product of band)

**NB:** Wanneer het aansluitventiel (8) wordt verwijderd, kan er uit het ventiel van het opblaasbare product lucht ontsnappen. Zorg ervoor dat u het aansluitventiel (8) niet te snel verwijderd. Het is wellicht nodig om extra druk aan de vereiste druk toe te voegen om de ontsnapte lucht te compenseren.

#### Opslag van de hogedrukslang en ventieladapters (Afb. F+G)

- De hogedrukslang (9) bevindt zich in het opbergkanaal (10) aan de achterzijde van het appa-

raat. Wikkel de hogedrukslang in het kanaal.

- De ventieladapters (14, 15, 16) kunt u in de achterzijde van het apparaat opbergen, in de ventieladapter opslag (19).

#### LAGE DRUK, HOOG VOLUME - OPBLAASBARE PRODUCTEN - SCHAKELAAR 'II'

##### Opblazen

##### De lagedrukslang op de compressor aansluiten (Afb. H1)

- Verwijder de lagedrukslang (11) uit het opslagvak (12).
- Houd de inkepingen (24) op de slang op één lijn met de noppen (23) van de lagedrukaansluiting (22).
- Schuif de slang daarna op de aansluiting en draai deze linksom om hem vast te zetten.
- Draai de slang rechtsom om hem te verwijderen.

**NB:** Veel opblaasbare producten, vooral luchtmatrassen, zijn voorzien van een interne terugslagklep, deze klep voorkomt dat er lucht uit het product loopt tijdens het opblazen. Tenzij deze klep door de slang wordt weggeduwd zal het opblaasbare product niet opblazen. Druk de slang stevig in het ventiel om ervoor te zorgen dat de klep niet in de weg zit.

**WAARSCHUWING:** Ontploffingsgevaar. Overmatige luchtdruk kan gevaarlijk situaties, ontploffingen of persoonlijk letsel veroorzaken. Controleer altijd de door de fabrikant aangegeven maximale druk voordat u een product opblaast.

#### Voor sommige ventielen hebt u een adapter met een afwijkende maat nodig dan de standaard maat op de lagedrukslang:

- Plaats de adapter die op het uiteinde van de lagedrukslang (11) is aangesloten op het uiteinde van de slang.
- Kies tussen de grote, middel of kleine adapter (13).
- Controleer of het goed past voordat u het op de lagedrukslang (11) aansluit.
- Sluit de gekozen adapter aan door deze op de lagedrukslang te duwen.

**Leeg laten lopen****De lagedrukslang op de compressor aansluiten (Afb. H2)**

1. Verwijder de lagedrukslang (11) uit het opslagvak (12).
2. Duw de slang in de aansluiting voor leeg laten lopen (25)
3. Steek de slang voorzien van de juiste adapter in het product dat u leeg wilt laten lopen

**De druk voor automatisch uitschakelen instellen**

Tijdens gebruik van de lagedruk stand is het niet mogelijk om de compressor automatisch te laten uitschakelen.

**Werklicht (4) (Afb. E)**

**NB:** Wanneer de accu in de machine is geplaatst of de machine is aangesloten op de 12V-sigarettenaanstekeraanleiding en de machine staat in de slaapstand, gaan de LED's niet branden.

- Wilt u de machine inschakelen, druk dan op de Drukselectieknop (21), het display (28) licht dan op.
- Schakel het werklicht in door op de werklichtknop (26) te drukken
- Schakel het werklicht uit door op de werklichtknop (26) te drukken

**4. ONDERHOUD**

*Schakel, voordat u met de reiniging en het onderhoud begint, altijd de machine uit en haal het accupack uit de machine.*

Reinig de machinebehuizing regelmatig met een zachte doek, bij voorkeur iedere keer na gebruik. Zorg dat de ventilatiesleuven vrij van stof en vuil zijn. Gebruik bij hardnekkig vuil een zachte doek bevochtigd met zeepwater. Gebruik geen oplosmiddelen als benzine, alcohol, ammonia, etc. Dergelijke stoffen beschadigen de kunststof onderdelen.

**MILIEU**

*Defecte en/of afgedankte elektrische of elektronische gereedschappen dienen ter verwerking te worden aangeboden aan een daarvoor verantwoordelijke instantie.*

**Uitsluitend voor EG-landen**

Werp elektrisch gereedschap niet weg bij het huisvuil. Conform de Europese Richtlijn 2012/19/EG voor Afgedankte Elektrische en Elektronische Apparatuur en de implementatie ervan in nationaal recht moet niet langer te gebruiken elektrisch gereedschap gescheiden worden verzameld en op een milieuvriendelijke wijze worden verwerkt.

**GARANTIE**

VONROC producten zijn ontworpen volgens de hoogste kwaliteitsstandaarden en gegarandeerd vrij van defecten, zowel materieel als fabrieksfouten, tijdens de wettelijk vastgestelde garantieperiode vanaf de eerste aankoopdatum. Mocht het product tijdens deze periode gebreken vertonen veroorzaakt door defecte materialen en/of fabrieksfouten, neem dan rechtstreeks contact op met VONROC.

De volgende situaties vallen niet onder de garantie:

- Er zijn reparaties of aanpassingen aan de machine uitgevoerd, of er is een poging daartoe ondernomen, door een nietgeautoriseerd servicecentrum.
- Normale slijtage.
- De machine is misbruikt, verkeerd gebruikt of slecht onderhouden.
- Er zijn niet-originele reserveonderdelen gebruikt.

Dit vormt de enige garantie opgesteld door het bedrijf zowel expliciet als impliciet. Er bestaan geen andere garanties expliciet of impliciet welke verder gaan dan deze garantie, inclusief impliciete garanties van verkoopbaarheid en geschiktheid voor bepaalde doeleinden. In geen enkel geval kan VONROC aansprakelijk worden gesteld voor incidentele schade of gevolgschade. Reparaties van dealers zijn gelimiteerd tot de reparatie of vervanging van defecte producten of onderdelen.

**Het product en de gebruikershandleiding zijn onderhevig aan wijzigingen. Specificaties kunnen zonder opgaaf van redenen worden gewijzigd.**

## 1. CONSIGNES DE SÉCURITÉ

Consultez les avertissements de sécurité, les avertissements de sécurité additionnels ainsi que les instructions fournis ici. Le non respect des avertissements de sécurité et des instructions peut occasionner une électrocution, un incendie ou des blessures graves. Conservez les avertissements de sécurité et les instructions pour référence future.

Les symboles suivants sont utilisés dans le manuel d'utilisation ou apposés sur le produit:



Lisez le manuel d'utilisation.



Signale un risque de blessures, un danger mortel ou un risque d'endommagement de l'outil en cas de non-respect des instructions de ce manuel.



Portez des lunettes de protection.  
Portez des gants de sécurité.



Ne pas utiliser sous la pluie.



Fusible miniature a fusion lente.



Temperature max. 45°C.



Ne jetez pas la batterie au feu.



Ne jetez pas la batterie dans de l'eau.



La batterie Li-ion fait l'objet d'une collecte séparée.



Ne jetez pas le produit dans des conteneurs qui ne sont pas prévus à cet effet.



Le produit est conforme aux normes de sécurité applicables des directives européennes.

### CONSIGNES GÉNÉRALES DE SÉCURITÉ



**AVERTISSEMENT! Veuillez lire l'intégralité des avertissements de sécurité et des instructions.** Le nonrespect de toutes les instructions indiquées cidessous peut entraîner un risque de choc électrique, d'incendie et/ou de blessures graves.

#### Conservez ces instructions.

Le terme "appareil électrique" mentionné dans tous les avertissements cidessous se rapporte à un appareil électrique qui se branche au réseau électrique (grâce à un câble d'alimentation) ou à un appareil électrique (sans fil) fonctionnant grâce à une batterie.

#### 1) Espace de travail

- Veillez toujours à garder votre espace de travail propre et bien éclairé.** Les espaces mal rangés et sombres peuvent être la cause d'accidents.
- N'utilisez pas les appareils électriques dans des environnements susceptibles d'explosion, par exemple en présence de liquides inflammables, de gaz ou de particules.** Les appareils électriques provoquent des étincelles qui peuvent enflammer les particules des émanations.
- Veillez à garder éloignés les enfants et les personnes se trouvant dans votre voisinage, lors de l'utilisation d'un appareil électrique.** Les distractions peuvent vous faire perdre le contrôle de l'appareil.

#### 2) Mesures de sécurité électriques

- Les prises des appareils électriques doivent être raccordées à la prise murale correspondante. Ne modifiez jamais la prise de l'appareil, de quelque façon que ce soit. N'utilisez pas d'adaptateurs qui mettent les appareils électriques à la terre (mise à la masse).** Des prises non modifiées et branchées à la prise murale correspondante réduiront les risques de choc électrique.
- Évitez le contact direct avec les surfaces mises à la terre ou mises à la masse comme les canalisations, les radiateurs, les cuisinières et les réfrigérateurs.** En effet, le risque de choc électrique s'accrut si votre corps est mis à la terre ou à la masse.
- N'utilisez pas d'outils électriques dans des environnements pluvieux ou humides.** Si de l'eau s'introduit dans un appareil électrique, le risque de choc électrique augmentera.
- N'utilisez pas le câble de manière abusive. N'utilisez jamais le câble pour transporter, tirer ou débrancher l'appareil électrique. Veillez à garder le câble éloigné des sources de chaleur, des huiles, des rebords coupants ou des pièces actionnées.** Les câbles endommagés ou entremêlés augmentent le risque de choc



électrique.

e) **Lorsque un appareil est utilisé à l'extérieur, utilisez uniquement un câble prolongateur prévu à cet effet.** L'utilisation d'un câble à usage extérieur réduit le risque de choc électrique.

f) **Si vous êtes contraint d'utiliser un outil électrique dans un environnement humide, utilisez une alimentation protégée par un dispositif à courant résiduel (RCD).** L'utilisation d'un RCD réduit le risque de décharge électrique.

### 3) Sécurité personnelle

a) **Restez vigilant, gardez un œil sur ce que vous faites et utilisez votre sens commun lors de l'utilisation d'un appareil électrique. N'utilisez pas un appareil électrique si vous êtes fatigué ou si vous êtes sous l'influence de drogues, d'alcool ou si vous prenez des médicaments.** Un moment d'inattention lors de l'utilisation des appareils électriques peut entraîner des blessures graves.

b) **Utilisez un équipement de protection personnelle. Protégez-vous toujours les yeux.** Les équipements de protection, tels qu'un masque à poussière, des chaussures antidérapantes, des protections auditives ou un casque de sécurité, utilisés dans de bonnes conditions, réduiront le risque de blessures.

c) **Prévenez tout démarrage involontaire. Assurez-vous que l'interrupteur est sur la position "arrêt avant de brancher l'appareil.** En effet, le transport des appareils électriques en gardant vos doigts sur l'interrupteur, ou le branchement de ces appareils en ayant l'interrupteur sur "marche accidents.

d) **Retirez les clés de réglage ou les clés de vis de réglage avant d'allumer l'appareil électrique.** Une clé de vis de réglage ou une clé, laissée sur une pièce en mouvement de l'appareil électrique, peut entraîner des lésions corporelles.

e) **Ne pas se précipiter. Gardez toujours vos pieds à plat et gardez votre équilibre.** Ceci permet de mieux contrôler l'appareil électrique dans des situations imprévues.

f) **Habilitez-vous convenablement. Ne portez pas de vêtements lâches ou de bijoux. Gardez vos cheveux, vêtements et gants éloignés des pièces actionnées.** En effet, ces derniers peuvent être pris dans les pièces en action.

g) **Si les appareils sont fournis pour la connexion des équipements d'évacuation et de récupération de la poussière, assurez-vous que**

**ces derniers soient correctement connectés et utilisés.** L'utilisation de ces appareils peut réduire les risques liés à la poussière.

h) **Ne pensez pas être familiarisé avec l'outil après l'avoir utilisé à de nombreuses reprises, au point de ne plus rester vigilant et d'oublier les consignes de sécurité.** Toute action imprudente peut engendrer de graves blessures en une fraction de seconde.

### 4) Utilisation et entretien d'un appareil électrique

a) **Ne forcez pas l'appareil électrique. Utilisez l'appareil électrique adéquat pour votre application.** Un appareil électrique correctement choisi assurera un meilleur travail et un travail sans danger, au rythme auquel il a été conçu.

b) **N'utilisez pas l'appareil électrique si l'interrupteur marche/arrêt ne fonctionne pas.** Un appareil électrique qui ne peut pas être commandé par l'interrupteur de contrôle est dangereux et doit être réparé.

c) **Débranchez la prise du bloc d'alimentation avant d'effectuer des réglages, de changer des accessoires, ou de ranger les appareils électriques.** Ces mesures de sécurité préventives réduiront le risque de démarrage involontaire de l'appareil électrique.

d) **Rangez les appareils électriques arrêtés hors de la portée des enfants et ne laissez aucune personne, non familiarisée avec l'outil ou ces instructions, utiliser l'appareil électrique.** Les appareils électriques sont dangereux entre les mains d'utilisateurs non formés.

e) **Entretenez les appareils électriques. Vérifiez tout défaut d'alignement et l'enchaînement des pièces actionnées, la rupture de ces dernières, et les autres conditions qui peuvent affecter le fonctionnement des appareils électriques. En cas de dommages, faites réparer l'appareil électrique avant de le réutiliser.** Nombreux sont les accidents provoqués par des appareils électriques mal entretenus.

f) **Veillez à garder les outils coupants aiguisés et propres.** Des outils coupants correctement entretenus avec des lames aiguisées sont moins susceptibles de se bloquer et sont plus faciles à contrôler.

g) **Utilisez l'appareil électrique, les accessoires et les embouts, etc., conformément à ces instructions et de la manière prévue pour le type spécifique de l'appareil électrique, en**

- prenant en compte les conditions de travail et le travail à effectuer.** L'utilisation de l'appareil électrique dans des applications différentes de celles prévues peut entraîner des situations dangereuses.
- h) **Gardez les poignées et les surfaces de préhension sèches, propres et exemptes d'huile et de graisse.** Des poignées et des surfaces de préhension glissantes ne permettent pas de manipuler et de contrôler l'outil correctement en cas de situations inattendues.
- h) **Gardez les poignées et les surfaces de préhension sèches, propres et exemptes d'huile et de graisse.** Des poignées et des surfaces de préhension glissantes ne permettent pas de manipuler et de contrôler l'outil correctement en cas de situations inattendues.
- 5) **Utiliser et soigner les outils à batterie**
- a) **Rechargez la batterie uniquement avec le chargeur spécifié par le fabricant.** Un chargeur adapté à une certaine batterie peut être cause de danger d'incendie quand on l'utilise avec une batterie différente.
- b) **Utilisez chaque outil uniquement avec la batterie conçue pour lui.** L'utilisation de toute autre batterie peut être cause de danger de blessure ou d'incendie.
- c) **Lorsque une batterie n'est pas en usage, gardez-la hors d'atteinte d'objets métalliques tels que les trombones, pièces de monnaie, clés, clous, vis et autres petits objets métalliques pouvant faire le contact entre une borne et l'autre.** Un court-circuit entre les bornes de la batterie peut être cause de brûlures ou d'incendie.
- d) **Dans des circonstances extrêmes, du liquide peut gicler hors de la batterie ; évitez tout contact. En cas de contact accidentel, rincez à l'eau. En cas de contact du liquide avec les yeux, consultez un médecin.** Le liquide qui gicle d'une batterie peut causer irritations ou brûlures.
- e) **N'utilisez pas un bloc-batterie ou un outil endommagé ou modifié.** Une batterie endommagée ou altérée peut avoir un comportement imprévisible qui peut conduire à un incendie, une explosion ou un risque de blessure.
- f) **N'exposez pas le bloc-batterie ou l'outil au feu ou à des températures excessives.** L'exposition au feu ou à des températures dépassant 130 °C peut provoquer une explosion. REMARQUE La température de "130°C" peut être remplacé par la température de "265°F".
- g) **Respectez les instructions pour la charge et ne rechargez pas le bloc-batterie ou l'outil à une plage de températures hors de celle spécifiée dans les instructions.** Une charge mal effectuée ou à des températures hors de la plage spécifiée peut endommager la batterie et augmente le risque d'incendie.
- 6) **Maintenance**
- a) **L'entretien de votre outil électrique doit être confié à un réparateur qualifié qui utilise uniquement des pièces de rechange identiques aux pièces d'origine.** Cela permet d'assurer la sécurité de l'outil électrique.
- b) **Ne réparez jamais des blocs-batteries endommagés.** Les réparations sur les blocs-batteries ne doivent être effectuées que par le fabricant ou l'un de ses prestataires de services agréés.

#### AVERTISSEMENTS DE SÉCURITÉ SUPPLÉMENTAIRES PROPRES AUX COMPRESSEURS SANS FIL

- **Cet appareil peut être utilisé par des enfants âgés de 8 ans et plus et par des personnes aux capacités physiques, sensorielles ou mentales réduites, ou qui manquent d'expérience et de connaissance, à condition qu'ils soient supervisés ou qu'ils aient été formés sur la façon sûre d'utiliser l'appareil et qu'ils comprennent les risques encourus.**
- **Les enfants ne doivent pas jouer avec l'appareil. Le nettoyage et les opérations de maintenance à réaliser par l'utilisateur ne doivent pas être exécutés par des enfants sans surveillance.**
- **Risque d'éclatement. Ne réglez pas le régulateur à une valeur supérieure à la pression maximum de l'équipement.**
- **Risque de blessure. Ne dirigez jamais le flux d'air directement vers des personnes ou des animaux.**
- **Ne respirez pas l'air fourni par le compresseur.**
- **Ne laissez pas le compresseur sans surveillance trop longtemps quand il est alimenté. Débranchez l'alimentation électrique du compresseur après l'avoir utilisé.**
- **Gardez le compresseur dans un endroit bien aéré. Ne recouvrez pas le compresseur pendant son utilisation.**

- Ne retirez pas le cache de la valve et ne touchez pas aux composants internes.
- N'utilisez pas le tuyau d'air pour déplacer le compresseur.
- L'utilisation d'accessoires ou d'équipements non recommandés par le fabricant peut entraîner un risque de blessure.
- Tous les composants du circuit d'air, les flexibles, les tubes, les raccords, les filtres, etc. doivent être calibrés en fonction de la pression de service minimum de 160 PSI, ou 150% de la pression maximum du circuit, la valeur la plus haute devant prévaloir.
- Conservez les étiquettes et les plaques signalétiques du compresseur en bon état. Elles contiennent des informations importantes.
- Ce produit n'est pas un jouet. Gardez-le hors de portée des enfants.
- Vous devez porter des lunettes et des gants de protection homologués EN pour utiliser le compresseur.
- N'exposez le compresseur ni à la pluie, ni à l'humidité.
- Les personnes portant un pacemaker doivent consulter leur médecin avant d'utiliser l'appareil. Les champs électromagnétiques peuvent provoquer des interférences ou la défaillances des pacemakers à proximité.
- Ne laissez pas l'outil sans surveillance lorsque le bloc-batterie est en place. Éteignez l'outil et retirez le bloc-batterie avant de le quitter.
- Dans la zone de travail, l'utilisateur est responsable des dommages subis par des tiers et provoqués par l'utilisation de l'appareil.
- Ne dirigez jamais l'appareil vers vous-même ou quiconque pendant son utilisation, et tout particulièrement vers les yeux et les oreilles. Il existe sinon un risque de blessure !
- Ne nettoyez jamais vos vêtements à l'air comprimé.
- Ne laissez jamais l'appareil sans surveillance pendant son utilisation et respectez les consignes de gonflage de l'équipement à gonfler.
- L'équipement à gonfler peut éclater et provoquer de graves blessures.
- Les avertissements, les précautions et les instructions mentionnés dans ce manuel d'utilisation ne peuvent pas couvrir toutes les conditions et toutes les situations qui peuvent possiblement se produire. L'utilisateur doit comprendre que le bon sens et la prudence

sont des facteurs qui ne peuvent pas être intégrés dans ce produit, mais dont il doit faire preuve.

## UTILISATION SÛRE DU COMPRESSEUR À AIR SANS FIL



**ATTENTION:** Comment empêcher l'endommagement de l'appareil et les éventuelles blessures :

- N'utilisez pas l'appareil en conduisant.
- Contrôlez l'absence de dommage avant l'utilisation et ne faites fonctionner l'appareil que s'il est en bon état.
- N'exposez l'appareil ni à la pluie ni à l'humidité et ne le laissez pas entrer en contact avec de l'eau. Il existe sinon un risque de décharge électrique !
- Gardez toutes les ouvertures de l'appareil dégagées pendant le fonctionnement. Ne bouchiez pas les ouvertures avec vos mains ou vos doigts et ne couvrez pas l'appareil. Il existe sinon un risque de surchauffe !
- Ne laissez pas l'appareil dans un véhicule si la température extérieure est élevée.
- L'appareil pourrait sinon être irrémédiablement endommagé.
- L'appareil chauffe pendant le fonctionnement. Toucher les surfaces chaudes peut provoquer des brûlures.
- Ne laissez aucune particule, sable ou poussière pénétrer dans les ouvertures d'arrivée et de sortie d'air de l'appareil.
- N'utilisez pas l'appareil à proximité de liquides ou de gaz inflammables. N'aspirez pas le flux d'air chaud. Le non-respect de ces consignes peut engendrer un risque d'incendie ou d'explosion !
- Éteignez l'appareil et retirez la batterie :
  - lorsque l'appareil n'est pas utilisé ;
  - si vous laissez l'appareil sans surveillance ;
  - avant toute opération de nettoyage ou de maintenance ;
  - si des corps étrangers pénètrent dans l'appareil ou si vous détectez un bruit anormal.
- N'utilisez que les accessoires fournis et recommandés par le fabricant.
- Ne tentez pas de réparer l'appareil vous-même.

**AVERTISSEMENTS DE SECURITE POUR L'ACCU**

- a) **Ne pas ouvrir l'accu.** Risque de court-circuit.
- b) **Protéger l'accu de toute source de chaleur, comme p. ex. l'exposition directe au soleil, au feu, à l'eau et à l'humidité.** Il y a risque d'explosion.
- c) **En cas d'endommagement et d'utilisation non conforme de l'accu, des vapeurs peuvent s'échapper. Ventiler le lieu de travail et, en cas de malaises, consulter un médecin.** Les vapeurs peuvent entraîner des irritations des voies respiratoires.
- d) **N'utilisez l'accumulateur qu'avec votre produit Vonroc.** Ceci protège l'accumulateur contre une surcharge dangereuse.
- e) **Les objets pointus comme un clou ou un tournevis et le fait d'exercer une force extérieure sur le boîtier risquent d'endommager l'accu.** Il peut en résulter un court-circuit interne et l'accu risque de s'enflammer, de dégager des fumées, d'exploser ou de surchauffer.

**AVERTISSEMENTS DE SECURITE POUR LE CHARGEUR****Utilisation prévue**

Chargez uniquement à l'aide de la batterie Li-ion rechargeable CD801AA ou CD803AA. Tout autre type de batterie est susceptible d'éclater et de provoquer des blessures et des dommages matériels.

- a) **L'appareil n'est pas destiné à être utilisé par des personnes (notamment des enfants) souffrant de déficiences physiques, sensorielles ou mentales, ou par des personnes inexpérimentées ou non formées. Toute utilisation doit se faire sous la surveillance d'une personne responsable et avec les instructions appropriées.**
- b) **Même sous surveillance, les enfants ne doivent pas jouer avec l'appareil.**
- c) **Ne rechargez pas les batteries non rechargeables!**
- d) **Veuillez effectuer la recharge des batteries dans un endroit bien ventilé!**

**RISQUES RÉSIDUELS**

Même lorsque l'outil électrique est utilisé conformément aux instructions, il n'est pas possible d'éliminer tous les facteurs de risque résiduel. Les dangers suivants peuvent survenir en raison de la conception de l'outil électrique:

- a) Problèmes de santé liés aux vibrations lorsque l'outil est utilisé sur une longue période ou n'est pas manipulé ou entretenu de manière adéquate.

- b) Blessures et dommages matériels occasionnés par l'éjection soudaine d'accessoires cassés.



**Attention!** *Lorsqu'il fonctionne, cet outil électrique génère un champ électromagnétique. Dans certaines circonstances, ce champ électromagnétique peut interférer avec des implants médicaux actifs ou non. Pour réduire le risque de blessures graves ou mortelles, nous recommandons aux personnes porteuses d'implants médicaux de consulter leur médecin et le fabricant de l'implant avant d'utiliser cet outil électrique.*

**2. INFORMATIONS RELATIVES À LA MACHINE****Utilisation prévue**

L'appareil est prévu pour gonfler les pneus (ex : pneus de voiture, de moto ou de vélo), les ballons, les matelas pneumatiques ainsi que tous les autres petits équipements gonflables. L'appareil est également prévu pour gonfler/dégonfler de grands volumes à basse pression, comme les matelas pneumatiques, les bateaux pneumatiques et les flotteurs de piscine. Le compresseur sans fil fonctionne à l'aide d'une batterie de 20V ou d'une prise allume-cigare 12V (voiture, camping-car, camion, etc.). Cet appareil ne doit pas être utilisé plus de 10 minutes d'affilée. Toute autre utilisation peut endommager l'appareil et entraîner un risque grave pour l'utilisateur. Le fabricant ne saurait être tenu responsable pour les dommages provoqués par une utilisation abusive et/ou incorrecte.

**SPÉCIFICATIONS TECHNIQUES**

*Ce manuel a été élaboré pour plusieurs kits / numéros d'articles différents. Consultez le numéro d'article correspondant à votre produit dans le tableau des caractéristiques qui suit pour obtenir la composition et le contenu corrects de votre kit.*

N° de modèle	Batteries incluses	Chargeur inclus
CR503DC	-	-
S_CR503DC	CD801AA	CD802AA
S2_CR503DC	2 x CD801AA	CD802AA
S3_CR503DC	CD803AA	CD802AA

Informations sur la machine	
Tension Batterie	20V
Tension prise allume-cigare	12V
Puissance prise allume-cigare	60W
Pression d'air	Max 160 PSI / 11 bar /1100 Kpa
Longueur tuyau basse pression	790mm
Longueur tuyau basse pression	360mm
Sortie compresseur	Max 12L/min
Sortie souffleur	Max 380L/min
Vitesse à vide Pompe	17000/min
Courant d'air	22000/min
Fonctionnement en continu	max. 10 min*
Niveau de pression acoustique $L_{PA}$	71,2 dB(A), K=3dB(A)
Niveau d'intensité acoustique $L_{WA}$	82,2 dB(A), K=3dB(A)

N° de modèle	CD801AA
Type de batterie	Lithium-Ion
Tension	20V
Capacité	2,0 Ah
Chargeurs recommandés	CD802AA
Poids	0,3 kg

N° de modèle	CD802AA
Entrée chargeur	220-240V,50Hz 0,4A
Sortie chargeur	21V  2,5A
Durée de charge 2Ah Batterie	60 minutes
Durée de charge 4Ah Batterie	120 minutes
Accus recommandés	CD801AA, CD803AA
Poids	0,36 kg

N° de modèle	CD803AA
Type de batterie	Lithium-Ion
Tension	20V
Capacité	4,0 Ah

Chargeurs recommandés	CD802AA
Poids	0,65 kg

\* Pour des performances et une durée de vie optimales, ne faites pas fonctionner l'appareil plus de 10 minutes sans interruption. Patientez 10 minutes entre chaque utilisation.

N'utilisez que les batteries suivantes de la plateforme Batterie VONROC VPOWER 20V. L'utilisation de toute autre batterie pourrait provoquer de graves blessures ou endommager l'outil.  
 CD801AA 20V, 2Ah Lithium-Ion  
 CD802AA 20V, 4Ah Lithium-Ion

Le chargeur suivant peut être utilisé pour recharger ces batteries.  
 CD803AA Chargeur rapide

Les batteries de la plateforme Batterie VONROC VPOWER 20V sont interchangeables pour tous les outils de la plateforme Batterie VONROC VPOWER 20V.

## DESCRIPTION

Les numéros dans le texte se rapportent aux schémas des pages 2 - 4.

1. Machine
2. Batterie
3. Bouton de déverrouillage de la batterie
4. Lampe de travail
5. Chargeur
6. Indicateur à LED du chargeur
7. Levier de serrage
8. Raccord de valve haute pression
9. Tuyau haute pression
10. Rangement tuyau haute pression
11. Tuyau basse pression
12. Rangement tuyau basse pression
13. Raccord grand/moyen/petit pour le gonflage/dégonflage
14. Adaptateur spécial petite valve
15. Adaptateur valve pour ballons
16. Adaptateur pour valve de bicyclette Dunlop
17. Adaptateur pour valve de bicyclette Presta
18. Adaptateur pour valve de bicyclette Schrader
19. Rangement adaptateur de valve
20. Sélecteur de mode I / O / II
21. Panneau de commande + / "PSI/BAR/KPA" / -

- 22. Raccord de gonflage machine
- 23. Picots
- 24. Encoches
- 25. Raccord de dégonflage machine
- 26. Interrupteur éclairage de travail
- 27. Bouton indicateur de la batterie
- 28. Écran
- 29. Prise allume-cigare 12V
- 30. Rangement pour prise allume-cigare
- 31. Indicateur de charge de la batterie
- 32. Bouton indicateur de batterie

### 3. FONCTIONNEMENT

#### Première utilisation (Fig. A)



*Ne faites pas fonctionner l'appareil dans des environnements poussiéreux. Il existe sinon un risque d'incendie et d'endommagement de l'appareil.*



*Afin d'empêcher toute surchauffe pendant le gonflage, gardez les prises d'air et les événements dégagés. Veillez à toujours porter une protection oculaire homologuée EN pendant l'utilisation.*

Placez le produit sur une surface de niveau et non inflammable. En fonction de l'élément ou du pneu à gonfler, vous pouvez utiliser une pression basse ou haute. Une pression haute est préférable lorsqu'un pré-réglage est nécessaire. Pré-réglez la pression voulue et la machine s'arrête automatiquement à la pression définie. Une basse pression est préférable pour gonfler et dégonfler les gros volumes.

- En fonction des pneus à gonfler vous pouvez utiliser le raccord pour valve haute pression (8) directement ou avec l'un des adaptateurs fournis (16, 17, 18)
- Pour les ballons (haute pression), utilisez l'adaptateur pour valve de ballons (15)
- Pour les équipements gonflables à haute pression dont la valve est petite, utilisez l'adaptateur spécial pour petite valve (14)
- En fonction de l'équipement à gonfler vous pouvez utiliser le raccord basse pression (11) directement ou avec l'un des adaptateurs fournis (13)



*Pour les équipements gonflables avec contre-pression (ex : pneu de véhicule déjà partiellement gonflé) : Allumez l'appareil avant de raccorder le raccord de valve haute pression (8) au pneu.*

Ce produit n'est pas conçu pour fonctionner en continu. Il a été développé pour produire de l'air comprimé et non un volume d'air. N'utilisez pas le produit plus de 10 minutes en continu afin d'éviter la surchauffe et l'endommagement de l'appareil. Laissez ensuite refroidir l'appareil 10 minutes au minimum.

Lorsque l'appareil n'est pas utilisé pendant 3 minutes, il passe automatiquement en mode Veille. En mode Veille l'éclairage à LED est inutilisable.



*Vous devez charger la batterie avant la première utilisation.*

#### Utilisation batterie 20V:

##### Retrait de la batterie de la machine (Fig. B1)

- Poussez les boutons de déverrouillage de la batterie (3) et retirez la batterie de la machine.

##### Insertion de la batterie dans la machine (Fig. B1)



*Vérifiez que la surface extérieure de la batterie est propre et sèche avant de brancher le chargeur ou la machine.*

- Insérez la batterie (2) dans la base de la machine.
- Poussez la batterie vers l'avant jusqu'à ce qu'elle s'enclenche.



*Si la machine n'est pas utilisée pendant une certaine durée, il est préférable de ranger la batterie complètement rechargée.*



*L'appareil vibre pendant le fonctionnement. Pendant le fonctionnement, veillez à ce que la machine reste bien en place sur ses pieds en caoutchouc.*

##### Contrôle de l'état de charge de la batterie (Fig. B2)

- Pour vérifier l'état de charge de la batterie, appuyez brièvement sur le bouton (32) de la batterie.
- Quatre voyants indiquent le niveau de charge de la batterie. Plus il y a de voyants allumés, plus la charge est importante.

- Lorsque les voyants sont éteints cela indique que la batterie est vide et qu'elle doit être rechargée immédiatement.

### Recharge de la batterie avec le chargeur (Fig. B2)

1. Retirez la batterie (2) de la machine.
2. Retournez la batterie (2) et faites-la glisser dans le chargeur (5), comme illustré à la Fig. B2.
3. Enfoncez la batterie tout au fond du logement.
4. Branchez la fiche du chargeur dans une prise électrique et patientez. Les indicateurs à LED sur le chargeur (6) s'allument et indiquent l'état du chargeur.

### Le chargeur possède deux indicateur à LED (31) qui indique l'état du processus de charge:

État de l'indicateur à LED rouge	État de l'indicateur à LED vert	État du chargeur
Éteint	Éteint	Aucune alimentation
Éteint	Allumé	Mode veille: - Aucune batterie n'est insérée ou - La batterie est insérée, mais la charge s'est achevée
Allumé	Éteint	Batterie en cours de charge

- Il faut compter jusqu'à 60 minutes pour recharger complètement la batterie 2Ah.
- Il faut compter jusqu'à 120 minutes pour recharger complètement la batterie 4Ah.

Lorsque la batterie est entièrement chargée, débranchez le chargeur de la prise secteur et retirez la batterie du chargeur.

### Utilisation prise allume-cigare 12V: Rangement pour prise allume-cigare (Fig. C)

La prise pour allume-cigare est rangée au bas de la machine.

### Raccorder l'appareil à la prise allume-cigare (Fig. A)

Vérifiez que le fusible de la prise allume-cigare de votre véhicule est correctement calibré.

- Branchez la prise pour allume-cigare (29) dans la prise allume-cigare 12V. Si vous ne savez pas comment faire, consultez le manuel du véhicule.

### Allumer et éteindre la machine

- Enfoncez le sélecteur de pression (21) pour que l'écran (28) s'allume.
- La machine s'éteint automatiquement après quelques minutes ou si la batterie/la prise allume-cigare est débranchée ou si vous enfoncez le sélecteur de pression (21) pendant quelques secondes. L'écran (28) s'éteint alors.

### HAUTE PRESSION, PETIT VOLUME – PNEUS ET BALLON – INTERRUPTEUR SUR "I" (FIG. D1, D2)

#### Raccorder le raccord pour valve haute pression sans adaptateur

1. Ouvrez le raccord pour valve (8); le levier de serrage (7) est dans la position indiquée par la figure D1.
2. Insérez le raccord pour valve ouvert (8) dans la valve de l'équipement à gonfler (retirez d'abord, le cas échéant, le cache de la valve).
3. Tenez le raccord pour valve (8) et fermez: poussez le levier de serrage (7) vers le raccord pour valve (8).

#### Raccorder le raccord pour valve haute pression avec un adaptateur



*Veillez à ne pas surgonfler les ballons de football car ils pourraient éclater.*



*En fonction de la matière des matelas et bateaux gonflables, etc. la pression de l'air peut ne pas être indiquée de façon précise. Vous ne devez donc pas surgonfler ces équipements car ils pourraient éclater.*

#### Adaptateur de valve pour ballons et adaptateur spécial pour petite valve

1. Ouvrez le raccord pour valve (8) ; le levier de serrage (7) est dans la position indiquée par la figure D1.
2. Poussez ou tournez l'adaptateur de valve en question (14, 15) dans l'ouverture du raccord pour valve (8).
3. Fixez l'adaptateur (14, 15) en refermant le raccord pour valve (8) : poussez le levier de serrage (7) vers le raccord pour valve (8), comme illustré par la figure D2.
4. Insérez l'adaptateur (14, 15) dans la valve de l'équipement à gonfler (retirez d'abord, le cas échéant, le cache de la valve).



**Adaptateur de valve pour pneus**

1. Tournez l'adaptateur (16, 17, 18) dans la valve du pneu (retirez d'abord, le cas échéant, le cache de la valve).
2. Ouvrez le raccord pour valve (8) ; le levier de serrage (7) est dans la position indiquée par la figure D1.
3. Poussez le raccord pour valve (8) sur l'adaptateur de valve (16, 17, 18)
4. Tenez le raccord pour valve (8) : poussez le levier de serrage (7) vers le raccord pour valve (8), comme illustré par la figure D2.

**Paramétrer la pression de coupure automatique (Fig. E)**

1. Enfoncez le sélecteur de pression (21) sur le panneau de commande pour commuter entre les différentes unités de pression (PSI, BAR, Kpa) jusqu'à atteindre l'unité voulue.
2. Appuyez sur "+" ou "-" sur le panneau de commande jusqu'à ce que la pression voulue soit affichée. En maintenant le bouton "+" ou "-" enfoncé, vous pouvez accélérer le changement de valeur. Relâchez "+" ou "-" une fois la pression voulue atteinte.

**Remarque:** L'écran clignote après 3 secondes et il revient à "0.0". C'est normal. La pression paramétrée est mémorisée.

3. Déplacez le sélecteur de mode I/O/II (20) sur la position "I" pour que l'appareil fonctionne à haute pression.
4. Quand l'équipement à gonfler atteint la valeur de pression prédéfinie, la machine s'arrête automatiquement.

**Remarque:** La pression actuelle affichée peut chuter après quelques secondes. C'est normal.

5. Pour arrêter le gonfleur à n'importe quel moment, déplacez le sélecteur de mode I/O/II (20) sur la position "O" pour éteindre l'appareil.

**Remarque:** Si l'interrupteur est coupé, tous les paramètres sont perdus et vous devez les réeffectuer. Il s'agit d'une sécurité qui limite le risque de SURGONFLER les équipements.

**Remarque:** La machine s'éteint automatiquement après quelques minutes. Pour allumer la machine, enfoncez le sélecteur de pression (21) pour que l'écran (28) s'allume.

**Remarque:** Si vous utilisez l'adaptateur pour valve Dunlop, le manomètre n'affiche pas de valeur précise à cause des caractéristiques de la valve. Si vous gonflez un pneu, n'utilisez pas la valeur indiquée sur le manomètre mais gonflez en contrôlant l'état du pneu. Si l'outil s'arrête avant que le pneu n'ait atteint la pression d'air voulue, réglez la valeur de la pression et regonflez le pneu.

**Remarque:** Si vous gonflez un flotteur, le manomètre n'affiche pas de valeur précise car la pression d'un flotteur est inférieure à 20 kPa (3 PSI). Si vous gonflez un flotteur, n'utilisez pas la valeur indiquée sur le manomètre mais gonflez en contrôlant l'état du flotteur.

**Utiliser le gonfleur comme manomètre**

**Remarque:** Cette machine intègre un mode Mémoire pour les préréglages. Veuillez à bien éteindre la machine pour vider la mémoire avant d'utiliser la fonction Manomètre.

1. Pour allumer la machine, enfoncez le sélecteur de pression (21) pour que l'écran (28) s'allume.
2. Rattachez le tuyau raccordé à la valve à mesurer.
3. L'écran digital affiche la pression de l'équipement.

**Retirer le raccord pour valve (Fig. D1, D2)**

- Retrait avec ou sans adaptateur : Ouvrez le levier de serrage (8) du raccord pour valve (8) et retirez-le de la valve et/ou de l'adaptateur de l'équipement gonflable.
- Retirez l'éventuel adaptateur et fermez la valve de l'équipement gonflé (ballon, objets pneumatiques ou pneus)

**Remarque:** Il se peut que de l'air s'échappe de la valve de l'équipement gonflable au moment du retrait du raccord (7). Veuillez à ne pas retirer le raccord (8) trop rapidement. Il se peut qu'il faille ajouter plus de pression que la pression requise, pour compenser l'air qui s'est échappé.

**Rangement du tuyau haute pression et des adaptateurs pour valves (Fig. F+G)**

- Le tuyau haute pression (9) se trouve dans un espace de rangement (10) à l'arrière de la machine. Enroulez le tuyau haute pression dans son espace de rangement.
- Les adaptateurs pour valves (14, 15, 16) sont rangés à l'arrière de la machine dans l'espace de rangement pour adaptateurs (19).

## BASSE PRESSION – PETIT VOLUME - OBJETS PNEUMATIQUES - INTERRUPTEUR SUR "II"

### Gonflage

#### Raccorder le tuyau basse pression au compresseur (Fig H1)

1. Retirez le tuyau basse pression (11) de son espace de rangement (12).
2. Alignez les encoches (24) du tuyau avec les picots (23) sur le raccord de gonflage basse pression (22).
3. Glissez ensuite le tuyau et tournez dans le sens inverse des aiguilles d'une montre pour fixer l'ensemble.
4. Pour le retirer, tournez dans le sens des aiguilles d'une montre et sortez le tuyau.

**Remarque:** La plupart des équipements gonflables et tout particulièrement les matelas, intègrent un clapet qui empêche l'air de s'échapper pendant le gonflage. Si ce clapet n'est pas déplacé par l'embout, le pneumatique ne peut pas être gonflé. Poussez fermement l'embout dans la valve pour être sûr de bien dégager ce clapet.

**AVERTISSEMENT:** Risque d'éclatement. Une pression excessive d'air peut entraîner un risque d'éclatement ou de blessure. Contrôlez la pression nominale maximum indiquée par le fabricant des équipements à gonfler.

#### Pour certaines valves, des raccords de différentes tailles que la taille standard sont nécessaires sur le tuyau basse pression:

- Positionnez l'adaptateur raccordé au tuyau basse pression (11) en extrémité du tuyau.
- Choisissez le grand raccord, le moyen ou le petit (13).
- Contrôlez son bon ajustement en le fixant sur le tuyau basse pression (11).
- Fixez le raccord choisi en le poussant dans le tuyau basse pression.

### Dégonfler

#### Raccorder le tuyau basse pression au compresseur (Fig. H2)

1. Retirez le tuyau basse pression (11) de son espace de rangement (12).
2. Enfoncez le tuyau dans le raccord de dégonflage (25)
3. Insérez le tuyau dans l'objet à dégonfler, avec le bon adaptateur

### Paramétrer la pression de coupure automatique

Pendant l'utilisation du mode basse pression, il n'est pas possible d'utiliser la pression de coupure automatique.

### Éclairage de travail (4) (Fig. E)

**Remarque:** Lorsque la batterie est installée dans la machine ou que la prise allume-cigare 12V est branchée et que la machine est en mode Veille, les voyants ne s'allument pas.

- Pour allumer la machine, enfoncez le sélecteur de pression (21) pour que l'écran (28) s'allume.
- L'éclairage de travail est allumé en appuyant sur l'interrupteur (26).
- L'éclairage de travail est éteint en appuyant sur l'interrupteur (26).

## 4. ENTRETIEN



*Avant le nettoyage et l'entretien, mettez toujours la machine hors tension et retirez la batterie de la machine.*

Nettoyez le corps de la machine régulièrement au moyen d'un chiffon doux, de préférence après chaque utilisation. Vérifiez que les ouvertures d'aération ne sont pas obstruées ni sales. Utilisez un chiffon doux légèrement humidifié avec de la mousse de savon pour nettoyer les taches persistantes. N'utilisez pas de produits de nettoyage tels que l'essence, l'alcool, l'ammoniac, etc.; ces produits peuvent endommager les parties synthétiques.

## ENVIRONNEMENT



*Les équipements électroniques ou électriques defectueux ou destinés à être mis au rebut doivent être déposés aux points de recyclage appropriés.*

### Uniquement pour les pays de l'UE

Ne jetez pas les outils électriques avec les déchets domestiques. Selon la Directive européenne 2012/19/CE relative aux déchets d'équipements électriques et électroniques et sa mise en œuvre dans le droit national, les outils électriques hors d'usage doivent être collectés séparément et mis au rebut de manière écologique.

## GARANTIE

Les produits VONROC sont développés aux plus hauts standards de qualité et ils sont garantis contre les défauts de pièces et de main d'oeuvre pendant la durée légale stipulée à partir de la date d'achat d'origine du produit. En cas d'une quelconque panne du produit pendant cette durée qui serait due à un défaut matériel et/ou de main d'oeuvre, contactez directement VONROC. Les circonstances suivantes ne sont pas prises en charge par la garantie:

- Des réparations ou altérations ont été effectuées ou tentées sur la machine par un centre de réparation non agréé.
- L'usure normale.
- L'outil a été maltraité, mal utilisé ou mal entretenu.
- Des pièces détachées non d'origine ont été utilisées.

Ceci constitue l'unique garantie accordée par la société explicitement ou implicitement. Il n'existe aucune autre garantie, explicite ou implicite, qui peut s'étendre au delà du contenu ici présent, y compris les garanties marchandes ou d'adaptation à des fins particulières. En aucun cas VONROC ne sera tenu responsable de dommages accidentels ou consécutifs. Les solutions proposées par les revendeurs devront se limiter à la réparation ou le remplacement des éléments ou pièces non conformes.

**Le produit et le manuel d'utilisation sont sujets à modifications. Les spécifications peuvent changer sans préavis.**

## 1. INSTRUCCIONES DE SEGURIDAD

Lea las advertencias de seguridad, las advertencias de seguridad adicionales y las instrucciones adjuntas. De no respetarse las advertencias de seguridad y las instrucciones, podrían producirse descargas eléctricas, incendios y/o lesiones graves. Conserve las advertencias de seguridad y las instrucciones para su posterior consulta.

Los siguientes símbolos se utilizan en el manual de usuario o en el producto:



Lea el manual de usuario.



Denota riesgo de lesiones personales, pérdida de vida o daños a la herramienta en caso de incumplimiento de las instrucciones del presente manual.



Lleve gafas de seguridad.  
Use guantes de seguridad.



No use bajo la Lluvia.



Fusible cinta miniatura de tipo retardado.



Temperatura max. 45°C.



No arroje la batería al fuego.



No arroje la batería al agua.



Recogida selectiva de la batería de iones de litio.



No tire el producto en contenedores no apropiados.



El producto es conforme con las normas de seguridad vigentes en las Directivas Europeas.

### INSTRUCCIONES GENERALES DE SEGURIDAD



**PRECAUCIÓN!** Lea todas las advertencias de seguridad y todas las instrucciones. Si no lo hace, el uso indebido puede acarrear cortocircuitos, fuego o lesiones graves.

### Conserve estas instrucciones.

El término “herramienta eléctrica”, en todas las advertencias enumeradas a continuación se refiere a su herramienta eléctrica (i nalámbrica) que funciona con una batería o a través de la red eléctrica.

#### 1) Área de trabajo

- a) **Trabaje en un lugar limpio y bien iluminado.** Lugares no iluminados o sucios propician accidentes.
- b) **No use herramientas eléctricas donde haya riesgo de fuego o explosión, p.ej: cerca de líquidos o gases inflamables, polvo etc.** Las herramientas eléctricas producen chispas que pueden producir la ignición de partículas de humo.
- c) **Mantenga a los niños y otras personas alejados mientras utiliza la herramienta eléctrica.** Las distracciones pueden hacer que pierda el control de la herramienta.

#### 2) Seguridad eléctrica

- a) **Cerchiórese de que las clavijas de la herramienta eléctrica están correctamente enchufadas. Nunca modifique la clavija. No utilice ningún adaptador para la clavija de una herramienta eléctrica con conexión a tierra.** Las clavijas que no se hayan cambiado y los enchufes adecuados reducen el riesgo de cortocircuitos.
- b) **Evite el contacto humano con superficies con conexiones a tierra como tubos metálicos, conductos, tubos de la calefacción, radiadores y refrigeradores.** El riesgo de cortocircuitos es mayor cuando el cuerpo está en contacto con el suelo.
- c) **No use herramientas eléctricas bajo la lluvia o en entornos húmedos.** Si entra agua en una herramienta eléctrica aumenta el riesgo de cortocircuito.
- d) **No utilice el cable para todo. Nunca utilice el cable para mover la máquina, empujarla o sacar la clavija del enchufe. Mantenga el cable alejado del calor, aceite, zonas cortantes o piezas en movimiento.** Los cables dañados o enredados aumentan el riesgo de cortocircuito.
- e) **Use un cable alargador impermeable adecuado para exteriores cuando trabaje con la herramienta eléctrica al aire libre.**  
El riesgo de cortocircuito es menor si utiliza un cable alargador adecuado para exteriores.
- f) **Si no se puede evitar el uso de la herramienta eléctrica en un lugar húmedo, use suministro protegido mediante dispositivo diferencial residual (DDR).** El uso de un DDR reduce el riesgo

de choque eléctrico.

- h) **No permita que la familiaridad adquirida con el uso frecuente de las herramientas le haga confiarse e ignorar los principios de seguridad de las herramientas.** Una acción descuidada puede causar lesiones graves en una fracción de segundo.
- #### 3) Seguridad personal
- a) **No se descuide, preste atención a lo que está haciendo y utilice el sentido común mientras trabaje con esta herramienta. No use herramientas eléctricas cuando esté cansado o esté bajo los efectos del alcohol, las drogas o los medicamentos.** Un momento de distracción, mientras utilice la herramienta eléctrica, puede provocar lesiones personales graves.
  - b) **Use equipo de protección individual. Use siempre gafas protectoras.** El uso en condiciones apropiadas del equipo de seguridad como por ejemplo: mascarilla antipolvo, zapatos antideslizantes de seguridad, casco o protección para los oídos, disminuye el riesgo de sufrir lesiones personales.
  - c) **Evite arranques involuntarios. Asegúrese de que el interruptor está en la posición de apagado antes de conectarlo a la fuente de electricidad.** Transportar herramientas eléctricas con el dedo puesto sobre el interruptor o enchufarlas con el interruptor encendido puede causar accidentes.
  - d) **Quite cualquier llave de ajuste antes de encender la herramienta eléctrica.** Una llave olvidada junto a una pieza móvil de la herramienta eléctrica puede provocar lesiones personales graves.
  - e) **No se estire demasiado. Mantenga siempre el equilibrio y tenga los pies en el suelo.** Esto permite un mayor control de la herramienta eléctrica en situaciones inesperadas.
  - f) **Vístase apropiadamente. No lleve prendas holgadas o joyas. Mantenga su pelo, ropa y guantes alejados de las piezas móviles.** Las prendas holgadas, las joyas y el pelo largo pueden quedar atrapados en las piezas móviles.
  - g) **Si se han suministrado dispositivos para la extracción y recogida de polvo asegúrese de que estos estén conectados y se utilicen correctamente.** El uso de estos dispositivos puede reducir los riesgos relacionados con el polvo.
  - h) **Mantenga las asas y las superficies de agarre secas, limpias y libres de aceite y grasa.** Las asas y las superficies de agarre resbaladizas no permiten un manejo y control seguros de la herramienta en situaciones inesperadas.

**4) Utilización y cuidados de la herramienta eléctrica**

- a) **No fuerce la herramienta eléctrica. Utilice la herramienta eléctrica adecuada para el trabajo que vaya a realizar.** Una herramienta eléctrica apropiada realizará un trabajo mejor y más seguro si se utiliza para el objetivo con el que ha sido diseñada.
- b) **No use herramientas que no pueden encenderse o apagarse con el interruptor.** Las herramientas que ya no se puedan encender y apagar son peligrosas y deben repararse.
- c) **Desenchufe la clavija de la toma de electricidad antes de realizar modificaciones, cambiar accesorios o guardar las herramientas eléctricas.** Tales medidas de seguridad preventivas reducen el riesgo de la puesta en marcha accidental.
- d) **Mantenga a los niños alejados de una herramienta eléctrica sin utilizar y no permita a personas que no estén familiarizadas con la máquina o estas instrucciones utilizar la herramienta.** La herramienta eléctrica puede ser peligrosa cuando la utilicen personas sin experiencia.
- e) **Conserve sus herramientas cuidadosamente. Verifique cualquier desalineación o agarrotamiento de piezas móviles, piezas dañadas y cualquier otra causa, que pudiera repercutir en el buen funcionamiento de la herramienta eléctrica. Si la herramienta está estropeada, repárela antes de utilizarla.** Muchos de los accidentes están causados por un mantenimiento insuficiente del equipo eléctrico.
- f) **Mantenga las herramientas de corte limpias y afiladas.** Sierras con esquinas cortantes con un buen mantenimiento se bloquean menos y son más fáciles de controlar.
- g) **Utilice la herramienta eléctrica, accesorios y brocas etc. Siguiendo las instrucciones atendiendo al tipo de herramienta eléctrica y tenga en cuenta las condiciones de trabajo y el tipo de trabajo que se va a realizar.** Puede ser peligroso realizar trabajos con la herramienta diferentes de aquellos para los que está diseñada.

**5) Uso y cuidado de las herramientas alimentadas por batería**

- a) **Recargue las baterías únicamente con el cargador recomendado por el fabricante.** Un cargador que es apto para un tipo de baterías determinado puede provocar riesgo de incendio si se usa para cargar otra clase de baterías.
- b) **Use las herramientas eléctricas sólo con las**

**baterías indicadas específicamente.** El uso de otra clase de baterías diferente puede ocasionar el riesgo de derivar en lesiones o un incendio.

- c) **Cuando el paquete de baterías no esté en uso, consérvelo retirado de objetos metálicos como sujetapapeles, monedas, llaves, clavos, tornillos o cualquier otro objeto metálico pequeño que pueda hacer puente entre las terminales.** El contacto entre las terminales de la batería puede causar quemaduras o incendio.
- d) **Bajo condiciones extremas de abuso la batería podría expulsar un líquido; evite todo contacto. Si se produjese contacto accidentalmente, lávese bien con agua. Si el líquido hace contacto con los ojos, consulte también al médico.** El líquido emanado de la batería puede causar irritaciones o quemaduras.
- e) **No utilice una batería o una herramienta que esté dañada o modificada.** Las baterías dañadas o modificadas pueden presentar un comportamiento impredecible y provocar un incendio, una explosión o riesgo de lesiones.
- f) **No exponga una batería o una herramienta al fuego o a temperatura excesiva.** La exposición al fuego o a temperaturas superiores a 130 °C puede provocar una explosión. NOTA La temperatura "130 °C" puede sustituirse por la temperatura "265 °F".
- g) **Siga todas las instrucciones de carga y no cargue la batería o la herramienta fuera del rango de temperatura especificado en las instrucciones.** La carga incorrecta o a temperaturas fuera del rango especificado puede causar daños a la batería y aumentar el riesgo de incendio.

**6) Servicio**

- a) **Haga reparar su herramienta eléctrica por una persona cualificada, usando solo piezas de repuesto idénticas.** Esto garantiza que se mantenga la seguridad de la herramienta eléctrica.
- b) **Nunca repare las baterías dañadas.** El mantenimiento de las baterías debe ser realizado solo por el fabricante o los proveedores de servicio autorizados.

**ADVERTENCIAS DE SEGURIDAD ADICIONALES PARA LOS COMPRESORES DE AIRE INALÁMBRICOS**

- **Este aparato puede ser utilizado por niños a partir de 8 años de edad y por personas con capacidades físicas, sensoriales o mentales reducidas o que carezcan de experiencia y co-**

**nocimientos, si están supervisadas o capacitadas sobre el uso del aparato de modo seguro y si comprenden los peligros que supone.**

- **Los niños no deben jugar con el aparato. La limpieza y el mantenimiento de usuario no deben ser efectuados por niños, sin supervisión.**
- Riesgo de estallido: no ajuste el regulador por encima de la presión de acoplamiento máxima indicada.
- Riesgo de lesión: no dirija el flujo de aire directamente a personas o animales.
- La herramienta no debe utilizarse para suministrar aire de respiración.
- No deje el compresor sin vigilancia durante demasiado tiempo estando encendido. Desconecte la corriente del compresor una vez finalizado el trabajo.
- Mantenga el compresor correctamente ventilado. No tape el compresor durante su uso.
- No quite la tapa de la válvula ni ajuste los componentes internos.
- No utilice la manguera de aire para mover el compresor.
- El uso de accesorios o acoplamientos no recomendados por el fabricante puede causar lesiones personales.
- Todos los componentes de la línea de aire, incluyendo las mangueras, tubos, conectores, filtros, etc., deben tener una presión de funcionamiento nominal mínima de 160 PSI o del 150 % de la presión máxima del sistema, el valor que sea mayor.
- Mantenga las etiquetas y las placas de identificación en el compresor, ya que incluyen información de seguridad importante.
- Este producto no es un juguete. Manténgalo fuera del alcance de los niños.
- Debe llevar unas gafas de seguridad y guantes para trabajos intensos con homologación EN durante el uso de la herramienta.
- No exponga el producto a la lluvia o a condiciones de humedad.
- Aquellas personas con marcapasos deben consultar a su médico antes de utilizar la herramienta. Los campos electromagnéticos demasiado cerca de los marcapasos cardíacos pueden provocar interferencias o el fallo de estos dispositivos.
- No deje la herramienta sin vigilancia con la batería conectada. Apague la herramienta y saque la batería antes de dejarla.

- En el área de trabajo, el usuario es responsable de los daños ocasionados a terceros por el uso del dispositivo.
- Nunca dirija el dispositivo hacia usted ni hacia otros durante su uso, especialmente hacia los ojos y los oídos. ¡Existe el riesgo de lesiones!
- No debe limpiarse la ropa con el aire comprimido.
- Nunca deje el aparato sin vigilancia durante el funcionamiento y siga las instrucciones de inflado del producto inflable.
- El producto inflable puede estallar y causar lesiones graves.
- Las advertencias, precauciones e instrucciones indicadas en este manual de instrucciones no abarcan todas las posibles condiciones y situaciones que pueden darse. El operario debe utilizar el producto con sentido común y precaución, ya que estos son factores que no pueden ir integrados en la herramienta.

#### USO SEGURO DEL COMPRESOR DE AIRE IN-ALÁMBRICO



*PRECAUCIÓN: Cómo evitar daños en el dispositivo y posibles lesiones personales posteriores:*

- No use el dispositivo mientras conduce.
- Antes de utilizar el aparato, compruebe que no esté dañado, y utilícelo únicamente si está en buen estado de funcionamiento.
- No exponga el dispositivo a la lluvia o a la humedad y no permita que entre en contacto con agua. ¡Existe el riesgo de descarga eléctrica!
- Mantenga todas las aberturas del dispositivo despejadas durante el funcionamiento. No cierre las aberturas con las manos o los dedos y no cubra el dispositivo. ¡Existe el riesgo de sobrecalentamiento!
- No deje el dispositivo en el coche si la temperatura exterior es alta.
- El dispositivo puede resultar dañado, sin posibilidad de reparación.
- El dispositivo se calienta durante el funcionamiento. Tocar superficies calientes supone un peligro de quemadura.
- Evite el paso de arena, polvo u otras partículas pequeñas en las aberturas de entrada o de salida de aire.
- No use el dispositivo cerca de líquidos o gases inflamables. No aspire el vapor caliente. El incumplimiento de estas instrucciones supone el

- riesgo de incendio o explosión.
- Apague el dispositivo y saque la batería:
    - cuando el dispositivo no está en uso;
    - cuando deje el dispositivo sin vigilancia;
    - para la limpieza o el mantenimiento;
    - si entran objetos extraños en el dispositivo o si nota un ruido inusual.
  - Utilice solo los accesorios suministrados y recomendados por el fabricante.
  - No intente reparar el dispositivo usted mismo.

### ADVERTENCIAS DE SEGURIDAD PARA LA BATERÍA

- a) **No abra la batería.** Existe peligro de cortocircuito.
- b) **Proteja la batería del calor, p. ej., de la luz solar intensa continua, los incendios, el agua y la humedad.** Peligro de explosión.
- c) **En caso de daño y uso incorrecto de la batería, esta puede emitir vapores. Ventile el área y consulte un médico si se siente mal.** Los vapores pueden irritar el sistema respiratorio.
- d) **Utilice la batería solo junto con su producto Vonroc.** Esta medida protege la batería de sobrecargas peligrosas.
- e) **La batería se puede dañar con objetos puntiagudos como clavos o destornilladores o si se somete a alguna fuerza exterior.** Puede producirse un cortocircuito interno que dé lugar a que la batería se incendie, emita humo, explote o se sobrecaliente.

### TRADVERTENCIAS DE SEGURIDAD PARA EL CARGADOR

#### Uso previsto

Cargue solo las baterías recargables CD801AA y CD803AA con el cargador. Otros tipos de baterías pueden estallar y causar lesiones y daños.

- a) **El aparato no debe ser usado por personas (incluidos niños) con capacidad física, sensorial o mental reducida, o que no tengan experiencia o conocimiento suficientes, salvo que hayan sido capacitadas o estén bajo supervisión.**
- b) **Controle que los niños no jueguen con el aparato.**
- c) **No recargue baterías no recargables.**
- d) **Durante la carga, las baterías deben colocarse en un lugar bien ventilado.**

### RIESGOS RESIDUALES

Aunque la herramienta sea usada según se prescribe, es imposible eliminar todos los factores de riesgo residual. Pueden surgir los siguientes

### peligros en relación con la fabricación y el diseño de las herramientas eléctricas:

- a) Problemas de salud derivados de la emisión de las vibraciones, si la herramienta eléctrica se usa durante un periodo de tiempo prolongado o no se maneja y mantiene adecuadamente.
- b) Lesiones y daños materiales debidos a accesorios rotos que se caen repentinamente.



**Advertencia!** Esta herramienta eléctrica produce un campo electromagnético durante el funcionamiento. Este campo puede interferir bajo algunas circunstancias con implantes médicos activos o pasivos.

## 2. INFORMACIÓN DE LA MÁQUINA

### Uso previsto

El dispositivo está concebido para generar presión en los neumáticos (p. ej., neumáticos de automóviles, motocicletas y bicicletas), balones, colchones de aire y otros pequeños productos inflables. El dispositivo también está previsto para inflar/desinflar grandes volúmenes a baja presión, como colchones de aire, balsas y flotadores de piscina. El compresor inalámbrico funciona con una batería de 20 V o un enchufe para mechero de 12 V (de coche, autocaravana, camión, etc.) Este dispositivo no es apto para un funcionamiento continuo durante más de 10 minutos. Cualquier otro uso puede provocar daños en el dispositivo y suponer un grave peligro para el usuario. El fabricante no será responsable por los daños que puedan derivarse del uso impropio o incorrecto.

### ESPECIFICACIONES TÉCNICAS



Este manual ha sido redactado para diferentes números de juegos / artículos. Compruebe el número de artículo correspondiente en la siguiente tabla de especificaciones para conseguir la composición y el contenido correctos de su juego.

Modelo n.º	Baterías incluidas	Cargador incluido
CR503DC	-	-
S_CR503DC	CD801AA	CD802AA
S2_CR503DC	2 x CD801AA	CD802AA
S3_CR503DC	CD803AA	CD802AA



<b>Información de la máquina</b>	
Voltaje de la batería	20V
Voltaje del cigarrillo	12V
Potencia del enchufe del cigarrillo	60W
Presión del aire	Max 160 PSI / 11 bar /1100 Kpa
Longitud de la manguera de alta presión	790mm
Longitud de la manguera de baja presión	360mm
Salida del compresor	Max 12L/min
Soplador del compresor	Max 380L/min
Sin velocidad de carga Bomba	17000/min
Corriente de aire	22000/min
Funcionamiento continuo	max. 10 min*
Nivel de presión acústica $L_{PA}$	71,2 dB(A), K=3dB(A)
Nivel de potencia acústica $L_{WA}$	82,2 dB(A), K=3dB(A)

<b>Modelo n.º</b>	<b>CD801AA</b>
Tipo de batería	Iones de litio
Voltaje	20V
Capacidad	2,0 Ah
Cargador recomendado	CD802AA
Peso	0,3 kg

<b>Modelo n.º</b>	<b>CD802AA</b>
Entrada del cargador	220-240V,50Hz 0,4A
Salida del cargador	21V  2,5A
Tiempo de carga de la batería de 2 Ah	60 minutos
Tiempo de carga de la batería de 4 Ah	120 minutos
Baterías recomendadas	CD801AA, CD803AA
Peso	0,36 kg

<b>Modelo n.º</b>	<b>CD803AA</b>
Tipo de batería	Lones de litio
Voltaje	20V
Capacidad	4,0 Ah

Cargador recomendado	CD802AA
Peso	0,65 kg

\* Para obtener prestaciones óptimas durante toda la vida útil del dispositivo, no lo utilice durante más de 10 minutos seguidos; después espere 10 minutos.

Use solo las siguientes baterías de la plataforma de baterías VONROC VPOWER 20V. El uso de cualquier otra batería puede causar lesiones graves o dañar la herramienta.

CD801AA 20V, 2 Ah de iones de litio  
 CD802AA 20V, 4 Ah de iones de litio

Para cargar estas baterías se puede utilizar el siguiente cargador de batería.  
 CD803AA Cargador rápido

Las baterías de la plataforma de baterías AXPOWER 20V son intercambiables con todas las herramientas de la plataforma de baterías VONROC VPOWER 20V.

## DESCRIPCIÓN

Los números del texto se refieren a los diagramas de las página 2-4.

1. Máquina
2. Batería
3. Botón de desbloqueo de la batería
4. Luz de trabajo
5. Cargador
6. Indicador LED del cargador
7. Palanca de sujeción
8. Válvula de conexión de alta presión
9. Manguera de alta presión
10. Manguera de alta presión de canal de almacenamiento
11. Manguera de baja presión
12. Manguera de baja presión de almacenamiento
13. Conector grande/mediano/pequeño para inflado/desinflado
14. Adaptador de válvula extrapequeño
15. Adaptador de válvula para balones
16. Adaptador de válvula para válvulas de bicicletas Dunlop/blitz
17. Adaptador de válvula para válvulas de bicicletas Presta
18. Adaptador de válvula para válvulas de bicicletas Schrader
19. Almacenamiento del adaptador de válvula
20. Selector de modo I / O / II

21. Panel de control + / "PSI/BAR/KPA" / -
22. Conexión con el inflador
23. Núcleos
24. Muestras
25. Conexión con el desinflador
26. Luz de trabajo del interruptor
27. Botón de indicación de batería
28. Pantalla
29. Enchufe de mechero de 12 V
30. Almacenamiento del enchufe de mechero
31. Indicadores LED de la batería
32. Botón de indicadores LED de batería

### 3. FUNCIONAMIENTO

#### Primer uso (Fig. A)



*No utilice el dispositivo en lugares polvorientos. Si lo hace, existe riesgo de incendio y podría dañar el dispositivo.*



*Para evitar el sobrecalentamiento durante el inflado, mantenga la toma de aire y las aberturas despejadas de obstrucciones. Lleve siempre protección ocular con homologación EN durante su uso.*

Coloque el producto sobre una superficie plana e ignífuga. En función del producto inflable o del neumático, puede utilizar alta o baja presión. El ajuste de alta presión es mejor cuando sea necesario un valor predefinido; preconfigure la presión deseada y el aparato se detendrá automáticamente en la presión establecida.

El ajuste de baja presión es más adecuado para inflar y desinflar productos inflables de mayor tamaño.

- En función de los neumáticos, puede utilizar directamente la válvula de conexión (8) o uno de los adaptadores de válvula incluidos (16, 17, 18)
- En el caso de balones (alta presión) use el adaptador de válvula para balones (15)
- En el caso de los productos inflables con una válvula pequeña, utilice el adaptador de válvula extrapequeño (14)
- En función del producto inflable, puede utilizar la conexión de baja presión (11) directamente o junto a uno de los adaptadores de manguera incluidos (13).



*Para los productos inflables con contrapresión (p. ej., neumático de coche parcialmente lleno): Encienda el producto antes de conectar la válvula de conexión de alta presión (8) al neumático.*

El producto no es apto para un funcionamiento continuo. Ha sido diseñado para generar presión de aire, no volumen de aire. No utilice el producto durante más de 10 minutos seguidos, para no sobrecalentar ni dañar el dispositivo. Después del uso, deje que se enfríe durante por lo menos 10 minutos.

Al cabo de 3 minutos de inactividad, el aparato pasará automáticamente al modo de suspensión. En el modo de suspensión, no se puede utilizar la luz LED.



*Debe cargarse la batería antes de usar la máquina por primera vez.*

#### Para un uso de la batería de 20 V:

##### Extracción de la batería de la máquina (Fig. B1)

- Presione el botón de desbloqueo de la batería (3) y extraiga la batería de la máquina.

##### Instalación de la batería en la máquina (Fig. B1)



*Compruebe que la parte exterior de la batería esté limpia y seca antes de colocarla en el cargador o en la máquina.*

- Inserte la batería (2) en la base de la máquina.
- Pulse la batería más hacia delante hasta que haga clic en su sitio.



*Cuando el aparato no vaya a utilizarse durante un período de tiempo prolongado, es conveniente guardar la batería cargada.*



*El aparato vibra durante el funcionamiento. Durante el funcionamiento, asegúrese siempre de que el aparato esté colocado sobre sus patas de goma.*

##### Comprobación del estado de carga de la batería (Fig. B2)

- Para comprobar el estado de carga de la batería, apriete brevemente el botón (32) de la batería.
- La batería tiene 3 luces que indican el nivel de carga, cuantas mas luces esten encendidas, mas batería queda.

- Cuando las luces estan apagadas significa que la bateria esta vacia y debe cargarse inmediatamente.

**Carga de la bateria con el cargador (Fig. B2)**

1. Extraiga la bateria (2) de la maquina.
2. De vuelta la bateria (2) y deslicela en el cargador (5) como se muestra en la Fig B2.
3. Empuje la bateria hasta que quede totalmente colocada en la ranura.
4. Enchufe el enchufe del cargador en una toma de corriente electrica y espere un poco. Los indicadores de LED del cargador (6) se encenderan y mostraran el estado del cargador.

**El cargador tiene 2 indicadores de LED (31) que indican el estado del proceso de carga:**

LED de estado ROJO	LED de estado verde	Estado de la carga
Desactivado	Desactivado	Sin alimentaci3n
Desactivado	Activado	Modo espera: - No hay ninguna bateria insertada o, - Se ha insertado la bateria pero el proceso de carga ha finalizado
Activado	Desactivado	Carga de la bateria en curso

- La carga completa de la bateria de 2 Ah puede llevar hasta 60 minutos.
- La carga completa de la bateria de 4 Ah puede llevar hasta 120 minutos.

Despues de que la bateria este totalmente cargada, desenchufe el enchufe del cargador de la toma de corriente y extraiga la bateria del cargador.

**Para un uso del enchufe de cigarrillo de 12 V: Almacenamiento del enchufe del cigarrillo (Fig. C)**

El enchufe del cigarrillo se guarda en el fondo de la maquina.

**Conexi3n a la toma del mechero (Fig. A)**

Compruebe que la toma del mechero de su vehiculo tenga un fusible de tama1o adecuado.

- Conecte el enchufe del mechero (29) en la toma del mechero de 12 V. Si no est1 seguro de c3mo hacerlo, consulte el manual del vehiculo.

**Encendido/Apagado del aparato**


- Pulse el selector de presi3n (21) y la pantalla (28) se encender1.
- La maquina se apagará automáticamente despues de unos minutos o cuando la bateria/enchufe del cigarrillo se desconecte, o bien mantenga pulsado unos segundos el selector de presi3n (21) y la pantalla (28) se apagará.


**ALTA PRESI3N, POCO VOLUME – NEUMÁTICOS Y BALONES - POSICI3N ‘ I’ (FIG. D1, D2)**

**Conectar la v1lvula de conexi3n de alta presi3n sin adaptador de v1lvula**

1. Abra la v1lvula de conexi3n (8); la palanca de sujeci3n (7) estar1 en la posici3n que se muestra en la figura D1.
2. Inserte la v1lvula de conexi3n abierta (8) en la v1lvula del producto inflable (si es necesario, saque antes la tapa de la v1lvula del producto inflable).
3. Sujete la v1lvula de conexi3n (8) y ci3rrela: empuje la palanca de sujeci3n (7) hacia la v1lvula de conexi3n (8).

**Conectar la v1lvula de conexi3n de alta presi3n con adaptador de v1lvula**

 *Tenga cuidado de no inflar demasiado los balones de f1tbol, ya que pueden estallar.*

 *Debido a la composici3n del material de los colchones inflables, botes inflables, etc., la presi3n del aire no puede indicarse con exactitud. Por lo tanto, tenga cuidado de no inflar excesivamente tales artculos pues pueden estallar.*

**Para el adaptador de v1lvula para balones y el adaptador de v1lvula extrapeque1o para productos inflables**

1. Abra la v1lvula de conexi3n (8); la palanca de sujeci3n (7) estar1 en la posici3n que se muestra en la figura D1.
2. Empuje o gire el adaptador de la v1lvula correspondiente (14, 15) en la abertura de la v1lvula de conexi3n (8).
3. Fije el adaptador de v1lvula (14, 15) cerrando la v1lvula de conexi3n (8): empuje la palanca de sujeci3n (7) hacia la v1lvula de conexi3n (8) como se muestra en la figura D2.
4. Inserte el adaptador de v1lvula (14, 15) en la v1lvula del producto inflable (si es necesario, saque antes la tapa de la v1lvula del producto inflable).

**Para el adaptador de válvula para neumáticos**

1. Gire el adaptador de válvula (16, 17, 18) en la válvula del neumático (si es necesario, saque antes la tapa de la válvula del neumático).
2. Abra la válvula de conexión (8); la palanca de sujeción (7) estará en la posición que se muestra en la figura D1.
3. Empuje la válvula de conexión (8) en el adaptador de válvula (16, 17, 18).
4. Sujete la válvula de conexión (8); empuje la palanca de sujeción (7) hacia la válvula de conexión (8) como se muestra en la figura D2.

**Ajuste de la presión de desconexión automática (Fig. E)**

1. Pulse el selector de presión (21) del panel de control para cambiar entre las distintas unidades de presión (PSI, BAR y Kpa) hasta que aparezca la unidad deseada.
2. Pulse los signos "+0" "-" del panel de control hasta que aparezca la presión deseada en la pantalla. Al mantener pulsados los signos "+0" "-", puede aumentar y disminuir rápidamente. Suelte los botones "+0" "-" en la presión deseada.

**Nota:** Al cabo de tres segundos, la pantalla parpadeará y volverá a leerse "0.0". Esto es normal. La presión configurada quedará guardada.

3. Establezca el selector de modo I/0/II (20) en la posición 'I' para encender el aparato y que arranque en alta presión.
4. Cuando el elemento que esté inflando haya alcanzado el valor de presión predefinido, la unidad se apagará automáticamente.

**Nota:** Puede observar la caída de la lectura de la presión real al cabo de un par de segundos. Esto es normal.

5. Para detener el inflador en cualquier momento, establezca el selector de modo I/0/II (20) en la posición '0' para apagar el aparato.

**Nota:** Si el interruptor de encendido/apagado está apagado, se perderán todos los ajustes y deberán volver a introducirse. Esta es una función de seguridad para evitar el riesgo de INFLAR DEMASIADO los productos.

**Nota:** Al cabo de unos minutos, el aparato se apaga automáticamente. Para encender la máquina, pulse el selector de presión (21) y la pantalla (28) se encenderá.

**Nota:** Al utilizar el adaptador de válvula Dunlop, el calibre de presión no mostrará un valor preciso debido a las características de la válvula. Al inflar un neumático, no utilice el valor del calibre de presión; debe inflarlo comprobando el estado del propio neumático. Si la herramienta se para antes de que el neumático alcance la presión del aire deseada, ajuste el valor de la presión y, a continuación, vuelva a inflar el neumático.

**Nota:** Al inflar un tubo flotador, el calibre de presión no mostrará un valor preciso, ya que la presión de este producto es inferior a 20 kPa (3 PSI). Al inflar un tubo flotador, no utilice el valor del calibre de presión; debe inflarlo comprobando el estado del propio tubo flotador.

**Uso del inflador como calibre de presión**

**Nota:** Esta máquina tiene un modo de memoria en la función de ajuste previo. Asegúrese de apagar la máquina para eliminar la memoria antes de utilizar la función de manómetro.

1. Para encender la máquina, pulse el selector de presión (21) y la pantalla (28) se encenderá.
2. Vuelva a conectar la manguera conectada a la válvula que debe medir.
3. La lectura digital mostrará la presión del elemento.

**Sacar la válvula de conexión (Fig. D1, D2)**

- Extracción con o sin el adaptador de válvula: Abra la palanca de sujeción (7) de la válvula de conexión (8) y retírela de la válvula y/o el adaptador del producto inflable.
- Retire todos los adaptadores y cierre la válvula del elemento inflado (balones, productos inflables o neumáticos).

**Nota:** Puede salir aire de la válvula del producto inflable al quitar la válvula de conexión (8). Tenga cuidado de no sacar la válvula de conexión (8) demasiado rápido. Puede ser necesario añadir una presión extra a la presión requerida, para compensar el escape de aire.

### Almacenamiento de la manguera de alta presión y de los adaptadores de válvula (Fig. F+G)

- La manguera de alta presión (9) se encuentra en un canal de almacenamiento (10) situado en la parte posterior del aparato. Enrolle la manguera de alta presión dentro del canal.
- Los adaptadores de válvula (14, 15, 16) se guardan en la parte posterior de la unidad, dentro del espacio almacenamiento del adaptador de válvula (19).

### BAJA PRESIÓN, GRAN VOLUMEN - PRODUCTOS INFLABLES - POSICIÓN 'II'

#### Inflado

#### Conectar la manguera de baja presión al compresor (Fig H1)

- Extraiga la manguera de baja presión (11) del espacio de almacenamiento (12).
- Alinee las muescas (24) de la manguera con los núcleos (23) del la conexión del inflador de baja presión (22).
- A continuación, deslice la manguera y gírela en sentido antihorario para fijarla.
- Para sacarla, gire la manguera en sentido antihorario y deslicela hacia fuera.

**Nota:** Muchos productos inflables tienen una solapa interna que evita la pérdida de aire durante el inflado, especialmente los colchones de aire. Si la boquilla no desplaza esta solapa, el producto inflable no se inflará. Empuje la boquilla firmemente hacia la válvula para asegurarse de empujar la solapa para retirarla.

**ADVERTENCIA:** Riesgo de estallido. El exceso de presión del aire puede provocar un peligro de estallido o de lesiones personales. Consulte la presión nominal máxima indicada por el fabricante para el tipo de producto en cuestión antes de inflarlo.

Para algunas válvulas, necesita un conector de un tamaño distinto al estándar de la manguera de baja presión:

- Coloque el adaptador que esté conectado a la manguera de baja presión (11) en el extremo de la manguera.
- Seleccione entre los conectores grande, mediano o pequeño (13).
- Compruebe el ajuste antes de conectar la válvula a la manguera de baja presión (11).

- Acople el conector seleccionado empujándolo en la manguera de baja presión.

#### Desinflar

#### Conectar la manguera de baja presión al compresor (Fig. H2)

- Extraiga la manguera de baja presión (11) del espacio de almacenamiento (12).
- Empuje la manguera en la conexión de desinflado (25).
- Inserte la manguera en el objeto que desee desinflar, utilizando el adaptador correcto.

#### Ajuste de la presión de desconexión automática

En modo de baja presión, no se puede utilizar la presión de desconexión automática.

#### Luz de trabajo (4) (Fig. E)

**Nota:** Mientras la batería esté montada en la máquina o conectada con un enchufe de cigarrillo de 12 V y el aparato esté en modo de suspensión, los LED permanecerán apagados.

- Para encender la máquina, pulse el selector de presión (21) y la pantalla (28) se encenderá.
- Encienda la luz de trabajo presionando el interruptor de luz de trabajo (26).
- Apague la luz de trabajo presionando el interruptor de luz de trabajo (26).

## 4. MANTENIMIENTO



*Antes de realizar la limpieza y el mantenimiento, apague siempre la máquina y extraiga el paquete de baterías de la máquina.*

Limpie regularmente las carcasas de la batería con un paño suave, preferentemente después de cada uso. Compruebe que los orificios de ventilación estén libres de polvo y suciedad. Elimine el polvo persistente utilizando un paño suave humedecido con agua y jabón. No use disolventes tales como gasolina, alcohol, amoníaco, etc. Tales productos químicos pueden dañar los componentes sintéticos.

## MEDIOAMBIENTE



*Los aparatos eléctricos o electrónicos defectuosos y/o desechados deben recogerse en lugares de reciclado apropiado.*

### Solo para países de la Comunidad Europea

No elimine las herramientas eléctricas como residuos domésticos. De acuerdo con la Directiva europea 2012/19/CE sobre residuos de aparatos eléctricos y electrónicos, y su transposición a las legislaciones nacionales, las herramientas eléctricas que ya no se utilizan deben recogerse por separado y eliminarse en modo ecológico.

## CONDICIONES DE GARANTÍA

Los productos VONROC han sido desarrollados con los más altos estándares de calidad y VONROC garantiza que están exentos de defectos relacionados con los materiales y la fabricación durante el periodo legalmente estipulado, a contar desde la fecha de compra original. En caso de que el producto presente defectos relacionados con los materiales y/o la fabricación durante este periodo, póngase directamente en contacto VONROC.

La presente garantía se excluye en los siguientes casos:

- Si centros de servicios no autorizados han realizado o han intentado realizar reparaciones y/o alteraciones a la máquina.
- Si se ha producido un desgaste normal.
- Si la herramienta ha sido mal tratada o usada en modo impropio, o se ha realizado incorrectamente su mantenimiento.
- Si se han utilizado piezas de repuesto no originales.

La presente constituye la única garantía implícita y explícita que ofrece la compañía. No existen otras garantías explícitas o implícitas que excedan las citadas aquí, incluidas las garantías implícitas de comerciabilidad e idoneidad para una finalidad en especial. VONROC no será considerada responsable en ningún caso por daños incidentales o consecuentes. Los recursos a disposición de los distribuidores se limitan a la reparación o a la sustitución de las unidades o piezas no conformes.

**El producto y el manual de usuario están sujetos a variaciones. Las especificaciones pueden variarse sin previo aviso.**

## 1. ISTRUZIONI DI SICUREZZA

Leggere accuratamente gli avvisi di sicurezza, gli avvisi di sicurezza aggiuntivi e le istruzioni. La mancata osservanza degli avvisi di sicurezza e delle istruzioni potrebbe causare scosse elettriche, incendio e/o gravi lesioni. Mantenere gli avvisi di sicurezza e le istruzioni a portata di mano per future consultazioni.

I seguenti simboli sono utilizzati nel presente manuale utente o sul prodotto:



*Leggere il manuale per l'utente.*



*Denota il rischio di lesioni personali, morte o danni all'utensile in caso di mancata osservanza delle istruzioni contenute nel presente manuale.*



*Indossare occhiali di protezione.  
Indossare guanti di protezione.*



*Non esporre alla pioggia.*



*Fusibile miniaturizzato a tempo ritardato.*



*Temperatura massima 45 °C.*



*Non gettare la batteria nel fuoco.*



*Non gettare la batteria nell'acqua.*



*Raccolta differenziata per la batteria agli ioni di litio.*



*Non smaltire il prodotto in contenitori non idonei.*



*Il prodotto è conforme agli standard pertinenti in materia di sicurezza previsti dalla legislazione Europea.*

### REGOLE GENERALI DI SICUREZZA



**ATTENZIONE! Leggere tutte le avvertenze di sicurezza e tutte le istruzioni.** Se non si seguono tutte le istruzioni sotto elencate, si può incorrere in uno shock elettrico, in un incendio e/o in lesioni serie.

**Conservare queste istruzioni.**

Il termine "arnese elettrico" in tutti gli avvertimenti sotto elencati si riferisce al vostro arnese elettrico che funziona a corrente (con filo) o ad un arnese che funziona a pile (senza filo).

**1) Area di lavoro**

- a) **Mantenere l'area di lavoro pulita e ben illuminata.** Aree buie e disordinate favoriscono gli incidenti.
- b) **Non usare arnesi elettrici in atmosfere esplosive, come vicino ai liquidi infiammabili, gas o polveri.** Gli arnesi elettrici creano scintille che possono incendiare la polvere dei vapori.
- c) **Tenere lontani bambini e altre persone mentre si accende l'arnese elettrico.** Le distrazioni possono farvi perdere il controllo.

**2) Sicurezza elettrica**

- a) **Le spine dell'arnese elettrico devono andare bene per la presa di corrente. Non modificare mai la spina in alcun modo. Non usare alcun adattatore con arnesi elettrici a terra (messo a terra).** Spine non modificate che vanno bene per le prese di corrente ridurranno il rischio di shock elettrico.
- b) **Evitare il contatto corporeo con superfici a terra come tubature, radiatori, fornelli e refrigeratori.** C'è un rischio maggiore di shock elettrico se il vostro corpo è a terra.
- c) **Non esporre arnesi elettrici alla pioggia o a condizioni di umidità.** Se dell'acqua penetra nell'arnese elettrico aumenterà il rischio di shock elettrico.
- d) **Non abusare del filo. Non usare mai il filo per trasportare, spingere o staccare dalla presa l'arnese elettrico. Tenere il filo lontano da calore, olio, bordi taglienti o parti mobili.** Fili danneggiati o aggrovigliati aumentano il rischio di shock elettrico.
- e) **Quando si accende un arnese elettrico all'aperto, usare una prolunga adatta a tale uso.** Usare un filo adatto all'uso all'aperto ridurrà il rischio di shock elettrico.
- f) **Se non è possibile evitare l'uso di un elettroutensile in ambiente umido, usare una rete di alimentazione protetta da un interruttore differenziale (salvavita).** L'uso di un salvavita riduce il rischio di scosse elettriche.

**3) Sicurezza personale**

- a) **Stare vigili e attento quando si accende un arnese elettrico. Non usare un arnese elettrico mentre si è stanco o sotto l'effetto di droghe,**

**alcool o medicinali.** Un momento di disattenzione mentre si accendono arnesi elettrici può causare delle gravi lesioni personali.

- b) **Usare dispositivi di protezione individuale. Indossare sempre una protezione per gli occhi.** Dispositivi di sicurezza come mascherina per la polvere, scarpe di sicurezza antiscivolo, casco, o protezioni per le orecchie usate nelle appropriate condizioni, ridurranno le lesioni personali.
- c) **Prevenire l'avvio accidentale. Assicurarsi che l'interruttore sia spento prima di collegarsi.** Trasportare elettroutensili tenendo il dito sull'interruttore di accensione o dare corrente ad elettroutensili con l'interruttore acceso può dare luogo a incidenti.
- d) **Rimuovere ogni chiave regolatrice o chiave per dadi prima di accendere l'arnese elettrico.** Una chiave per dadi o una chiave lasciata attaccata ad una parte rotante dell'arnese elettrico può provocare lesioni personali.
- e) **Cercare di mantenere l'equilibrio. Mantenere sempre un punto d'appoggio appropriato.** Questo consente un controllo migliore dell'arnese elettrico in situazioni inaspettate.
- f) **Vestirsi adeguatamente. Non indossare vestiti larghi o gioielli. Tenere lontano capelli, vestiti e guanti dalle parti mobili.** Vestiti larghi, gioielli o capelli lunghi possono essere presi nelle parti mobili.
- g) **Se vengono forniti dispositivi per la connessione dell'estrazione della polvere e attrezzature di raccolta, assicurarsi che questi siano collegati e usati correttamente.** L'uso di questi dispositivi può ridurre i rischi correlati alla polvere.
- h) **Non lasciare che la confidenza acquisita dall'uso frequente induca l'utilizzatore ad assumere comportamenti imprudenti e a ignorare i principi di sicurezza per l'utensile.** Una semplice distrazione può provocare gravi lesioni personali in una frazione di secondo.

**4) Uso e manutenzione dell'arnese elettrico**

- a) **Non forzare l'arnese elettrico. Usare l'arnese elettrico corretto per il vostro impiego.** L'arnese elettrico corretto farà il lavoro meglio e in maniera più sicura alla velocità per la quale è stato progettato.
- b) **Non usare l'arnese elettrico se l'interruttore non si accende o non si spegne.** Ogni arnese elettrico che non può essere controllato con l'interruttore è pericoloso e deve essere riparato.



- c) **Scollegare la spina dalla sorgente di elettricità prima di fare qualsiasi regolazione, cambiare gli accessori, o conservare arnesi elettrici.** Tali misure di sicurezza preventive riducono il rischio di accendere l'arnese elettrico accidentalmente.
- d) **Conservare gli arnesi elettrici inattivi fuori dalla portata dei bambini e non permettere a persone che non hanno confidenza con l'arnese elettrico o con queste istruzioni di usare l'arnese elettrico.** Gli arnesi elettrici sono pericolosi per utenti inesperti.
- e) **Mantenere gli arnesi elettrici. Controllare il non allineamento o l'attacco di parti mobili, la rottura di parti ed ogni altra condizione che può influire sul funzionamento degli arnesi elettrici. Se è danneggiato, far riparare l'arnese elettrico prima dell'uso.** Molti incidenti sono causati da arnesi elettrici mantenuti male.
- f) **Mantenere gli arnesi da taglio affilati e puliti.** È meno probabile che si attacchino degli arnesi da taglio mantenuti correttamente con tagli affilati e questi sono anche più facili da controllare.
- g) **Usare l'arnese elettrico, gli accessori e le parti dell'arnese ecc, secondo queste istruzioni e nel modo pensato per il particolare tipo di arnese elettrico, tenendo conto delle condizioni di lavoro e del lavoro da svolgere.** L'uso dell'arnese elettrico per operazioni diverse da quelle pensate potrebbe causare situazioni pericolose.
- h) **Mantenere le impugnature e le superfici di presa asciutte, pulite e libere da olio e grasso.** Impugnature e superfici di presa scivolose non consentono di maneggiare e controllare in sicurezza l'utensile in situazioni impreviste.
- 5) **Uso e manutenzione dell'utensile a batteria**
- a) **Ricaricare l'apparecchio esclusivamente con il caricabatterie specificato dal fabbricante.** Se si utilizza un caricabatterie di diverso tipo potrebbero verificarsi incendi.
- b) **Utilizzare gli utensili elettrici solo con i pacchi batterie appositamente prescritti.** L'uso di pacchi batterie di diverso tipo aumenta il rischio di infortunio o incendio.
- c) **Quando il pacco batterie non è in uso, tenerlo lontano da oggetti metallici quali fermagli, monete, chiavi, chiodi, viti o altri piccoli oggetti metallici che potrebbero mettere in collegamento i due poli.** Se i poli vengono messi in corto circuito, la batteria potrebbe emettere scintille o fiammate.
- d) **In condizioni di uso scorretto, la batteria potrebbe emettere liquido: evitare pertanto di entrarvi in contatto. In caso di contatto accidentale, risciacquare con acqua. Se il liquido entra a contatto con gli occhi, consultare immediatamente un medico.** Il liquido emesso dalla batteria può causare irritazioni o ustioni.
- e) **Non utilizzare un pacco batterie o l'utensile se danneggiati o manomessi.** Pacchi batterie danneggiati o manomessi potrebbero avere comportamenti imprevisti con il rischio di incendiarsi, esplodere o provocare lesioni a persone.
- f) **Non esporre un pacco batterie o l'utensile alle fiamme o a temperature eccessivamente elevate.** L'esposizione alle fiamme o a temperature superiori a 130 °C potrebbe provocare un'esplosione. NOTA: la temperatura di "130 °C" corrisponde a "265 °F".
- g) **Seguire tutte le istruzioni per la ricarica e non caricare il pacco batterie o l'utensile a temperature che non rientrino nell'intervallo specificato nelle istruzioni.** Se si effettua la ricarica in modo improprio o a temperature non comprese nell'intervallo specificato, il pacco batterie potrebbe subire danni e potrebbe aumentare il rischio di incendi.
- 6) **Riparazione**
- a) **L'assistenza per l'elettro utensile deve essere prestata da un tecnico qualificato che utilizzi soltanto ricambi originali.** In questo modo viene garantita la sicurezza dell'elettro utensile.
- b) **Non tentare di riparare pacchi batterie danneggiati.** La riparazione dei pacchi batteria deve essere effettuata esclusivamente dal produttore o presso centri di assistenza autorizzati.

#### AVVERTENZE DI SICUREZZA AGGIUNTIVE PER IL COMPRESSORE SENZA FILI

- Questa apparecchiatura può essere utilizzata da bambini da 8 anni nonché da persone con capacità fisiche, sensoriali o mentali o da mancanza di esperienza, se si trovano sotto sorveglianza o istruzione in merito all'uso dell'apparecchiatura in modo sicuro e comprendono i rischi del caso.
- Accertarsi che i bambini non giochino con l'apparecchiatura. La pulizia e la manutenzione utente non deve essere eseguita da bambini senza supervisione.
- Rischio di esplosione - non impostare il regolatore su un valore superiore alla pressione massima contrassegnata del sistema di aggancio.
- Rischio di incidenti - non indirizzare il flusso di aria direttamente su persone o animali.

- Non utilizzare un'alimentazione di aria.
- Non lasciare il compressore incustodito quando è in funzione per un periodo esteso di tempo. Staccare l'alimentazione dal compressore dopo la lavorazione.
- Mantenere una buona ventilazione per il compressore. Non coprire il compressore durante l'utilizzo.
- Non rimuovere la copertura della valvola o impostare i componenti interni.
- Non utilizzare il tubo flessibile d'aria per spostare il compressore.
- L'utilizzo di accessori o sistemi di aggancio non raccomandati dal produttore potrebbe determinare un rischio di lesioni personali.
- La pressione di esercizio minima nominale di tutti i componenti delle condutture dell'aria, compresi i tubi flessibili, le tubature, le connessioni, i filtri, ecc., deve essere pari a 160 PSI o il 150% della pressione di sistema massima, scegliendo tra i due valori quello più elevato.
- Mantenere le etichette e le targhette tipo sul compressore. Esse riportano importanti informazioni di sicurezza.
- Questo prodotto non è un giocattolo. Tenere fuori dalla portata dei bambini.
- Indossare gli occhiali di sicurezza con certificato EN e i guanti di protezione per lavori pesanti durante l'utilizzo.
- Non esporre alla pioggia e in luoghi umidi.
- Le persone con stimolatori cardiaci dovrebbero consultare i propri medici prima dell'utilizzo. I campi elettromagnetici in prossimità dello stimolatore cardiaco potrebbero causare un'interferenza o la rottura dello stimolatore cardiaco stesso.
- Non lasciare l'attrezzo incustodito quando il pacchetto batterie è connesso. Spegnerne l'attrezzo e rimuovere il pacco batterie prima di allontanarsi dall'attrezzo.
- All'interno dell'area di lavoro l'utente è responsabile dei danni subiti da terzi causati dall'uso di questo dispositivo.
- Non puntare mai il dispositivo verso se stessi o altri durante l'uso, evitare in particolare occhi e orecchie. Sussiste il pericolo di lesioni!
- Non pulire mai i vestiti con l'aria compressa.
- Non lasciare mai il dispositivo incustodito durante il funzionamento e seguire le istruzioni di gonfiaggio del gonfiabile.
- Il gonfiabile può scoppiare e causare lesioni gravi.
- Le avvertenze, le precauzioni e le istruzioni trattate nel presente manuale non possono coprire tutte le condizioni e situazioni che possono verificarsi. È sottinteso che l'operatore deve agire con buon senso e cautela durante l'utilizzo di questo apparecchio.

### SICUREZZA DURANTE L'UTILIZZO DEL COMPRESSORE SENZA FILI



**ATTENZIONE:** Come evitare danni al dispositivo e le conseguenti e potenziali lesioni personali.

- Non utilizzare il dispositivo durante la guida.
- Verificare la presenza di danni sul dispositivo prima dell'utilizzo e utilizzarlo solamente se è in buone condizioni di funzionamento.
- Non esporre il dispositivo a pioggia o condizioni atmosferiche umide e non lasciare che venga a contatto con l'acqua. Sussiste il rischio di scosse elettriche!
- Tenere libere tutte le aperture sul dispositivo durante il funzionamento. Non chiudere le aperture con le mani o le dita e non coprire il dispositivo. Sussiste il rischio di surriscaldamento!
- Non lasciare il dispositivo in auto a una temperatura esterna calda.
- Il dispositivo potrebbe venire danneggiato in modo irreparabile.
- Il dispositivo si surriscalda durante il funzionamento. Il contatto con superfici calde comporta il rischio di ustioni.
- Evitare che sabbia, polvere o altre piccole particelle penetrino nelle prese d'aria.
- Non utilizzare il dispositivo vicino a liquidi o gas infiammabili. Non aspirare vapore caldo. La mancata osservanza di queste istruzioni comporta un rischio di incendio o esplosione!
- Spegnerne il dispositivo e rimuovere la batteria:
  - quando il dispositivo non è in uso;
  - quando si lascia il dispositivo incustodito;
  - per la pulizia o la manutenzione;
  - se oggetti estranei entrano nel dispositivo o si nota un rumore insolito.
- Utilizzare solo gli accessori forniti e consigliati dal produttore.
- Non tentare di riparare il dispositivo da soli.

**AVVERTENZE DI SICUREZZA PER LA BATTERIA**

- a) **Non aprire la batteria.** Pericolo di cortocircuito.
- b) **Proteggere la batteria dal calore, ad esempio dalla luce solare intensa, dal fuoco, dall'acqua e dall'umidità.** Pericolo di esplosione.
- c) **In caso di danni e uso improprio della batteria, potrebbero essere emessi dei vapori. Ventilare l'area e rivolgersi a un medico in caso di malessere.** I vapori possono irritare il sistema respiratorio.
- d) **Utilizzare la batteria solo in combinazione con il prodotto Vonroc.** Questo accorgimento protegge la batteria da un sovraccarico pericoloso.
- e) **La batteria può essere danneggiata da oggetti appuntiti come chiodi o cacciaviti o da una forza applicata esternamente.** Si può verificare un cortocircuito interno e la batteria potrebbe bruciare, fumare, esplodere o surriscaldarsi.

**AVVERTENZE DI SICUREZZA PER IL CARICA-BATTERIE****Uso previsto**

Caricare solo pacchi batteria ricaricabili di tipo CD801AA e CD803AA con il caricabatterie. Batterie di tipi diversi potrebbero esplodere provocando lesioni personali e danni.

- a) **L'apparecchio non deve essere usato da persone con capacità fisiche, sensoriali o mentali ridotte (bambini inclusi) o che non hanno alcuna esperienza o conoscenza dell'apparecchio, a meno che non siano sorvegliate o siano state istruite sull'uso del prodotto.**
- b) **Accertarsi che i bambini non giochino con il caricabatterie.**
- c) **Non ricaricare batterie non ricaricabili!**
- d) **Durante la carica le batterie devono rimanere inserite nell'area adeguatamente ventilata!**

**RISCHI RESIDUI**

Anche quando l'elettrodomestico viene usato rispettando le indicazioni fornite non è possibile eliminare tutti i fattori di rischio residui. Possono insorgere i seguenti rischi associati alle caratteristiche strutturali e di configurazione dell'elettrodomestico:

- a) Problemi di salute derivanti dall'emissione di vibrazioni se l'elettrodomestico viene usato per un periodo prolungato oppure se non è adeguatamente gestito e correttamente mantenuto;
- b) lesioni personali o danni materiali dovuti ad accessori rotti che si disintegrano.



**Avvertenza!** Quando è in funzione questo elettrodomestico produce un campo elettromagnetico. In determinate circostanze, tale campo elettromagnetico potrebbe interferire con il funzionamento di impianti medici attivi o passivi. Per ridurre il rischio di incidenti gravi o mortali, raccomandiamo alle persone con impianti medici di consultare il proprio medico o il costruttore dell'impianto medicale prima di utilizzare questo elettrodomestico.

**2. INFORMAZIONI RELATIVE ALL'ELETTRODOMESTICO****Uso previsto**

Il dispositivo è destinato a produrre pressione negli pneumatici (ad esempio pneumatici per auto, moto e biciclette), palloni, materassi ad aria e altri prodotti gonfiabili. Il dispositivo è inteso altresì per il gonfiaggio/lo sgonfiaggio utilizzando un alto volume a bassa pressione, come materassini ad aria, gommoni e galleggianti per piscine. Il compressore cordless funziona tramite una batteria da 20V o tramite una presa accendisigari da 12V (auto, camper, camion ecc.) Questo dispositivo non è adatto per l'esercizio continuo per più di 10 minuti. Qualsiasi altro utilizzo potrebbe danneggiare il dispositivo e causare un pericolo per l'utente. Il produttore non è responsabile per danni causati da un uso improprio o un funzionamento non corretto.

**DATI TECNICI**

Il presente manuale è stato predisposto per diversi assortimenti / codici articolo. Verificare il codice articolo corrispondente nella tabella di specificazione sottostante per la composizione e i contenuti corretti per il proprio assortimento.

Modello n.º	Batterie incluse	Caricabatterie incluso
CR503DC	-	-
S_CR503DC	CD801AA	CD802AA
S2_CR503DC	2 x CD801AA	CD802AA
S3_CR503DC	CD803AA	CD802AA

Informazioni sul prodotto	
Tensione batteria	20V
Tensione accendisigari	12V
Spina di alimentazione accendisigari	60W
Pressione dell'aria	Max 160 PSI / 11 bar /1100 Kpa
Lunghezza tubo ad alta pressione	790mm
Lunghezza tubo a bassa pressione	360mm
Potenza del soffiante	Max 12L/min
Sortie souffleur	Max 380L/min
Velocità a vuoto del motore Pompa	17000/min
Ventola a tiraggio	22000/min
Funzionamento continuo	max. 10 min*
Livello di pressione sonora L <sub>PA</sub>	71,2 dB(A), K=3dB(A)
Livello di potenza sonora L <sub>WA</sub>	82,2 dB(A), K=3dB(A)

\* Per prestazioni di durata ottimali, non utilizzare il dispositivo ininterrottamente per più di 10 minuti; quindi attendere altri 10 minuti.

Utilizzare esclusivamente le batterie seguenti della piattaforma di batterie da 20V VONROC VPOWER. L'uso di batterie diverse potrebbe causare gravi lesioni personali o danni all'elettrotensile.  
 CD801AA Batteria agli ioni di litio da 20V, 2Ah,  
 CD802AA Batteria agli ioni di litio da 20V, 4Ah,

Il caricabatterie seguente può essere usato per caricare queste batterie.  
 CD803AA Caricabatterie rapido

Le batterie della piattaforma di batterie da 20V VONROC VPOWER sono intercambiabili con tutti gli elettrotensili con batterie della piattaforma da VONROC VPOWER.

### DESCRIZIONE

I numeri che compaiono nel testo si riferiscono agli schemi riportati a pagina 2-4.

Modelo n.º	CD801AA
Tipo di batteria	Ioni di litio
Tensione	20V
Capacità	2,0 Ah
Caricabatterie consigliato	CD802AA
Peso	0,3 kg

Modelo n.º	CD802AA
Ingresso del caricabatterie	220-240V,50Hz 0,4A
Uscita del caricabatterie	21V  2,5A
Tempo di ricarica batteria 2Ah	60 minuti
Tempo di ricarica batteria 4Ah	120 minuti
Batterie consigliate	CD801AA, CD803AA
Peso	0,36 kg

Modelo n.º	CD803AA
Tipo di batteria	Ioni di litio
Tensione	20V
Capacità	4,0,Ah
Caricabatterie consigliato	CD802AA
Peso	0,65 kg

1. Elettrotensile
2. Batteria
3. Pulsante di sblocco batteria
4. Luce di lavoro
5. Caricabatterie
6. Indicatore a LED caricabatterie
7. Leva di bloccaggio
8. Valvola di connessione ad alta pressione
9. Tubo flessibile ad alta pressione
10. Tubo flessibile ad alta pressione del canale di stoccaggio
11. Tubo flessibile a bassa pressione
12. Tubo flessibile a bassa pressione dello stoccaggio
13. Connettore di dimensioni grandi / medie / piccole per il gonfiaggio/lo sgonfiaggio
14. Adattatore valvola di dimensioni particolarmente piccole
15. Adattatore valvola per palloni
16. Adattatore valvola per valvole bicicletta Dunlop/ Blitz
17. Adattatore valvola per valvole bicicletta Presta
18. Adattatore valvola per valvole bicicletta Schrader
19. Stoccaggio adattatore valvola
20. Selettore modo I / O / II
21. Pannello di comando + / "PSI/BAR/KPA" / -
22. Macchina di raccordo dispositivo di gonfiaggio
23. Nottolini

- 24. Dentelli
- 25. Macchina di raccordo dispositivo di sgonfiaggio
- 26. Interruttore lampada di lavoro
- 27. Pulsante di tipo batteria
- 28. Display
- 29. Spina per accendisigari 12V
- 30. Vano per spina per accendisigari
- 31. Spie a LED batteria
- 32. Pulsante per spie a LED batteria

### 3. FUNZIONAMENTO

#### Primo utilizzo (Fig. A)



*Non utilizzare il dispositivo in ambienti polverosi. Ciò comporta un rischio di incendio e potrebbe danneggiare il dispositivo.*



*Per evitare il surriscaldamento durante il gonfiaggio, mantenere l'ingresso d'aria e le ventole prive di occlusioni. Indossare sempre occhiali di protezione con certificato EN durante l'utilizzo.*

Posizionare il prodotto su una superficie piana e non infiammabile. A seconda del gonfiabile o del pneumatico è possibile utilizzare la pressione alta o bassa. L'impostazione ad alta pressione è indicata in caso di necessità di impostazione preventiva; impostare preventivamente la pressione desiderata e la macchina si arresta automaticamente con la pressione di impostazione.

L'impostazione a bassa pressione è indicata in caso di gonfiaggio e sgonfiaggio di gonfiabili di dimensioni maggiori.

- A seconda dei pneumatici è possibile utilizzare la valvola di raccordo a pressione alta (8) direttamente o insieme a uno degli adattatori per valvola inclusi (16, 17, 18).
- Utilizzare un adattatore valvola per palloni (15) per palloni (pressione alta).
- Utilizzare un adattatore valvola di dimensioni particolarmente piccole (14) per gonfiabili a pressione alta con una valvola di piccolo dimensioni. • A seconda del gonfiabile è possibile utilizzare il raccordo a pressione bassa (11) direttamente o insieme a uno degli adattatori per tubo flessibile inclusi (13).



*Per gonfiabili con contropressione (ad es. pneumatici per automobili parzialmente riempiti): Accendere il prodotto prima di collegare la valvola di raccordo a pressione alta (8) al pneumatico.*

Questo prodotto non è adatto per il funzionamento continuo. È stato sviluppato per produrre aria compressa, non volume d'aria. Non utilizzare il prodotto per più di 10 minuti senza interruzioni per evitare il surriscaldamento e danni al dispositivo. Successivamente lasciare raffreddare per almeno 10 minuti.

Quando il dispositivo non viene utilizzato per 3 minuti, esso passa automaticamente al modo di attesa. Nel modo di attesa la spia a LED non può essere utilizzata.



*Prima del primo utilizzo la batteria deve essere caricata.*

#### Per l'uso con batteria da 20V:

##### Rimozione della batteria dall'elettrotensile (Fig. B1)

- Premere i pulsanti di sblocco della batteria (3) ed estrarre la batteria dall'elettrotensile.

##### Inserimento della batteria nell'elettrotensile (Fig. B1)



*Assicurarsi che la batteria sia pulita esternamente prima di collegarla al caricabatterie o all'elettrotensile.*

- Inserire la batteria (2) nella base dell'elettrotensile.
- Spingere in avanti la batteria finché scatta in posizione con un clic.



*Se si prevede che la macchina non verrà usata per molto tempo si consiglia di conservare le batterie cariche.*



*L'apparecchio vibra durante il funzionamento. Accertarsi sempre durante il funzionamento che le macchine siano posizionate sul proprio piedino in gomma.*

##### Verifica dello stato di carica della batteria (Fig. B2)

- Per verificare lo stato di carica della batteria, premere brevemente il pulsante (32) sulla batteria.
- La batteria presenta 3 spie che indicano il livello di carica: più spie sono accese più la batteria è carica.

- Se le spie non sono illuminate di rosso, significa che la batteria è completamente scarica e deve essere ricaricata immediatamente.

**Carica della batteria con il caricabatterie (Fig. B2)**

1. Rimuovere la batteria (2) dalla macchina.
2. Capovolgere la batteria (2) e inserirla nel carica-batterie (5), come illustrato nella Fig. B2.
3. Spingere la batteria finché si incastra nell'apposito alloggiamento.
4. Collegare la spina del caricabatterie a una presa elettrica e attendere un momento. Gli indicatori a LED sul caricabatterie (6) si illuminano e mostrano lo stato di carica della batteria.

**Sul caricabatterie sono presenti 2 indicatori a LED (31) che mostrano lo stato del processo di carica:**

Stato LED rosso	Stato LED verde	Stato del carica-batterie
Spento	Spento	Nessuna alimentazione
Spento	Acceso stabile	Modalità standby: - Nessuna batteria inserita oppure, - Batteria inserita ma la ricarica è terminata
Acceso stabile	Spento	Carica della batteria in corso

- Per caricare completamente la batteria da 2Ah possono essere necessari fino a 60 minuti.
- Per caricare completamente la batteria da 4Ah possono essere necessari fino a 120 minuti.



*Una volta caricata la batteria, rimuovere la spina del caricabatterie dalla presa di corrente e rimuovere la batteria dal caricabatterie.*

**Per l'uso con la spina per accendisigari da 12V: Vano per la spina per accendisigari (Fig. C)**

La spina per accendisigari viene riposta al fondo della macchina.

**Collegamento alla presa dell'accendisigari (Fig. A)**

Verificare che la presa dell'accendisigari sul veicolo sia dotata di un fusibile di dimensioni adeguate.

- Inserire la spina dell'accendisigari (29) nella

presa dell'accendisigari da 12V. In caso di dubbi su come eseguire questa operazione, consultare il manuale del veicolo.

**Accensione e spegnimento della macchina**

- Premere il selettore di Pressione (21) e il display (28) si accende.
- La macchina si spegne automaticamente dopo qualche minuto o quando la batteria/spina dell'accendisigari viene rimossa oppure tenere premuto il selettore di Pressione (21) per qualche secondo e il display (28) si spegne.

**PRESSIONE ALTA , VOLUME BASSO – PNEUMATICI E PALLONI - INTERRUOTTORE 'I' (FIG. D1, D2)**

**Collegamento della valvola di raccordo a pressione alta senza adattatore per valvola**

1. Aprire la valvola di raccordo (8); la leva di bloccaggio (7) sarà in posizione come mostrato nella figura D1.
2. Inserire la valvola di raccordo aperta (8) nella valvola del gonfiabile (se necessario, rimuovere prima il coperchio della valvola del gonfiabile).
3. la valvola di raccordo (8) e chiudere: spingere la leva di bloccaggio (7) verso la valvola di raccordo (8).

**Collegamento della valvola di raccordo a pressione alta con adattatore per valvola**



Fare attenzione a non gonfiare eccessivamente i palloni, potrebbero scoppiare.



Data la composizione materiale di materassi gonfiabili, barche gonfiabili ecc., la pressione dell'aria non può essere indicata esattamente. Pertanto, fare attenzione a non gonfiare eccessivamente tali articoli o potrebbero scoppiare.

**Per adattatore valvola per palloni e adattatore valvola di dimensioni particolarmente piccolo per gonfiabili**

1. Aprire la valvola di raccordo (8); la leva di bloccaggio (7) sarà in posizione come mostrato nella figura D1.
2. Spingere o torcere il rispettivo adattatore per valvola (14, 15) nell'apertura della valvola di raccordo (8).

3. Fissare l'adattatore per valvola (14, 15) chiudendo la valvola di raccordo (8): spingere la leva di bloccaggio (7) verso la valvola di raccordo (8) come mostrato nella figura D2.
4. Inserire l'adattatore per valvola (14, 15) nella valvola sul gonfiabile (se necessario, rimuovere prima il coperchio della valvola del gonfiabile).
5. Per arrestare ogni volta il dispositivo di gonfiaggio, spostare il selettore di modo I/O/II (20) sulla posizione 'O' per spegnere l'apparecchio.

**Nota:** Se l'interruttore di corrente è spento, tutte le impostazioni sono cancellate e devono essere reinserite. Si tratta di una funzione di sicurezza per prevenire il rischio di oggetti GONFIATI ECCCESSIVAMENTE.

#### Per l'adattatore valvola per pneumatici

1. Girare l'adattatore per valvola (16, 17, 18) sulla valvola del pneumatico (se necessario, rimuovere prima il coperchio della valvola del pneumatico).
2. Aprire la valvola di raccordo (8); la leva di bloccaggio (7) sarà in posizione come mostrato nella figura D1.
3. Spingere la valvola di raccordo (8) sull'adattatore valvola (16, 17, 18)
4. Mantenere la valvola di raccordo (8): spingere la leva di bloccaggio (7) verso la valvola di raccordo (8) come mostrato nella figura D2.

**Nota:** Dopo alcuni minuti le macchine si spengono automaticamente. ▪ Per accendere la macchina, premere il selettore di Pressione (21) e il display (28) si accende.

**Nota:** Durante l'utilizzo dell'adattatore valvola Dunlop il manometro non visualizza un valore accurato a causa delle caratteristiche della valvola. Durante il gonfiaggio di un pneumatico, non utilizzare la valvola sul manometro, ma gonfiarlo verificando lo stato del pneumatico. Se l'attrezzo si arresta prima che il pneumatico raggiunga la pressione dell'aria desiderata, impostare il valore di pressione e poi gonfiare di nuovo il pneumatico.

#### Impostazione della pressione di spegnimento automatico (Fig. E)

1. Premere il selettore di pressione (21) sul pannello di comando tra le differenti unità di pressione ( PSI, BAR, Kpa) fino alla visualizzazione dell'unità necessaria.
2. Premere il pulsante "+" o "-" sul pannello di comando fino a quando la pressione desiderata non viene visualizzata sul display. Tenendo premuto il pulsante "+" o "-" è possibile muoversi rapidamente, rilasciare il pulsante "+" o "-" sulla pressione desiderata.

**Nota:** Durante il gonfiaggio di un tubo galleggiante, il manometro non visualizza un valore accurato, dato che la pressione del tubo galleggiante è inferiore a 20 kPa (3 PSI). Durante il gonfiaggio di un tubo galleggiante, non utilizzare la valvola sul manometro, ma gonfiarlo verificando lo stato del tubo galleggiante.

**Nota:** Dopo 3 secondi il display lampeggia e ritorna su un valore di "0,0". Ciò è normale. La pressione impostata sarà memorizzata.

#### Utilizzo del dispositivo di gonfiaggio come manometro

3. Spostare il selettore di modo I/O/II (20) nella posizione 'I' per commutare l'apparecchio per l'avviamento a pressione alta.
4. Se l'oggetto da gonfiare raggiunge la pressione preimpostata, l'unità viene spenta automaticamente.

**Nota:** questa macchina ha una modalità di memoria nella funzione preimpostata. Assicurarsi di spegnere la macchina per rimuovere la memoria prima di utilizzare la funzione manometro.

1. Per accendere la macchina, premere il selettore di Pressione (21) e il display (28) si accende.
2. Riattaccare il tubo flessibile connesso alla valvola da misurare.
3. Il display digitale indica la pressione dell'oggetto.

**Nota:** Potrebbe verificarsi che la pressione corrente potrebbe diminuire dopo alcuni secondi. Ciò è normale.

#### Rimozione della valvola di raccordo (Fig. D1, D2)

- Rimozione con o senza adattatore valvola: Aprire la leva di bloccaggio (7) per la valvola di raccordo (8) e rimuoverla dalla valvola e/o dal adattatore del gonfiabile.



- Rimuovere qualsiasi adattatore e chiudere la valvola dell'oggetto gonfiato (pallone, gonfiabili o pneumatici)

**Nota:** l'aria può fuoriuscire dalla valvola del gonfiabile quando si rimuove la valvola di raccordo (8). Assicurarsi di non rimuovere la valvola di raccordo (8) troppo rapidamente. Potrebbe essere necessario aggiungere ulteriore pressione alla pressione richiesta, per compensare l'aria sfuggita.

#### Magazzino del tubo flessibile ad alta pressione o degli adattatori valvola (Fig. F+G)

- Il tubo flessibile ad alta pressione (9) è situato in un canale di stoccaggio (10) sul retro della macchina. Avvolgere il tubo flessibile ad alta pressione all'interno del canale.
- Gli adattatori valvola (14, 15, 16) sono stoccati sul retro dell'unità all'interno del magazzino dell'adattatore valvola (19).

## PRESSIONE BASSA, VOLUME ALTO - GONFIABILI - INTERRUTTORE 'II'

### Gonfiaggio

#### Connessione del tubo flessibile a bassa pressione al compressore (Fig H1)

- Rimuovere il tubo flessibile a bassa pressione (11) dal magazzino (12).
- Allineare i dentelli (24) del tubo flessibile con i nottolini (23) del raccordo (22) del dispositivo di gonfiaggio a pressione bassa.
- Poi far scivolarci sopra il tubo flessibile e torcerlo in senso antiorario per fissarlo.
- Per rimuovere il tubo flessibile, torcerlo in senso orario e farlo scivolare fuori.

**Nota:** Numerosi gonfiabili sono dotati di una linguetta interna che impedisce la perdita di aria durante il gonfiaggio, in particolare nei materassini ad aria. A meno che questa linguetta non viene spostata dall'ugello, il gonfiabile non si gonfia. Premere l'ugello con forza nella valvola per far sì che questa linguetta venga spostata.

**AVVERTENZA:** Rischio di esplosione. La pressione d'aria eccessiva potrebbe rappresentare un rischio di esplosione o lesioni personali. Verificare la pressione massima del produttore indicate per oggetti da gonfiare.

#### Per alcune valvole è necessario un connettore di dimensioni differenti rispetto alla dimensione standard del tubo flessibile a bassa pressione:

- Inserire l'adattatore connesso al tubo flessibile a bassa pressione (11) sull'estremità del tubo flessibile.
- Scegliere tra i connettori di grandi, medie o piccole dimensioni (13).
- Verificare l'inserimento prima di fissarlo sul tubo flessibile a bassa pressione (11).
- Fissare il connettore scelto spingendolo sul tubo flessibile a bassa pressione.

### Sgonfiaggio

#### Connessione del tubo flessibile a bassa pressione al compressore (Fig H2)

1. Rimuovere il tubo flessibile a bassa pressione (11) dal magazzino (12).
2. Premere il tubo flessibile nel raccordo di sgonfiaggio (25)
3. Inserire il tubo flessibile nell'oggetto da sgonfiare mediante l'adattatore corretto

#### Impostazione della pressione di spegnimento automatico

Durante l'utilizzo del modo di pressione bassa non è possibile utilizzare la pressione di spegnimento automatico.

#### Lampada di lavoro (4) (Fig. E)

**Nota:** Quando la batteria è montata sulla macchina o collegata alla spina dell'accendisigari da 12V e la macchina è nel modo di attesa, le spie a LED non si accendono.

- Per accendere la macchina, premere il selettore di Pressione (21) e il display (28) si accende..
- Accendere la lampada di lavoro premendo l'interruttore della lampada di lavoro (26).
- Spegnerla lampada di lavoro premendo l'interruttore della lampada di lavoro (26).

## 4. MANUTENZIONE



*Prima di eseguire qualsiasi operazione di pulizia e intervento di manutenzione spegnere sempre l'elettrotensile e rimuovere la batteria dall'elettrotensile.*

Pulire regolarmente il corpo dell'elettrotensile con un panno morbido, preferibilmente dopo ogni uso. Assicurarsi che le prese d'aria siano libere da polve-

re e sporczia. Rimuovere lo sporco particolarmente ostinato con un panno morbido inumidito con acqua e sapone. Non utilizzare solventi come benzina, alcol, ammoniaca, ecc. Le sostanze chimiche di questo tipo danneggiano i componenti sintetici.

**Il prodotto e il manuale per l'utente sono soggetti a modifiche. I dati tecnici possono essere modificati senza ulteriore notifica.**

## RISPETTO AMBIENTALE



*Le apparecchiature elettriche o elettroniche difettose e/o scartate devono essere raccolte presso gli opportuni siti di riciclaggio.*

### Solo per i Paesi CE

Non smaltire gli elettrodomestici insieme ai rifiuti domestici. Secondo la Direttiva europea 2012/19/ EC sui rifiuti delle apparecchiature elettriche ed elettroniche e relativa implementazione nelle normative locali, gli elettrodomestici ormai inutilizzabili devono essere raccolti separatamente e smaltiti in modo ecologico.

## DEFINIZIONI DELLA GARANZIA

I prodotti VONROC sono sviluppati secondo i più elevati standard di qualità e viene garantita l'assenza di difetti nei materiali e nella manodopera per il periodo contrattuale a partire dalla data di acquisto originale. Qualora il prodotto dovesse subire un guasto qualsiasi durante questo periodo a causa di difetti nei materiali e/o nella manodopera, si prega di contattare direttamente il VONROC.

Le seguenti circostanze sono escluse da questa garanzia:

- Riparazioni e/o modifiche alla macchina sono state eseguite o tentate da centri di assistenza non autorizzati.
- Normale usura.
- L'utensile è stato abusato, utilizzato o manutenu-  
to in modo improprio.
- Sono state utilizzate parti di ricambio non originali.

Ciò costituisce l'unica garanzia espressa o implicita fornita dall'azienda. Non esistono altre garanzie espresse o implicite che si estendono oltre il presente documento, ivi comprese le garanzie implicite di commerciabilità e idoneità per uno scopo particolare. In nessun caso VONROC sarà responsabile di eventuali danni incidentali o consequenziali. I rimedi dei rivenditori saranno limitati alla riparazione o sostituzione di unità o parti non conformi.

## 1. INSTRUKCJE DOTYCZĄCE

Przeczytać dolaczone ostrzeżenia dotyczące bezpieczeństwa, dodatkowe ostrzeżenia dotyczące bezpieczeństwa oraz instrukcje. Nieprzestrzeganie ostrzeżeń dotyczących bezpieczeństwa oraz instrukcji może prowadzić do porażenia prądem, pożaru i/lub poważnych obrażeń ciała. Zachować ostrzeżenia dotyczące bezpieczeństwa oraz instrukcje na przyszłość.

Następujące symbole są umieszczone w instrukcji obsługi lub na produkcie:



*Przeczytać instrukcje obsługi.*



*Oznacza ryzyko obrażeń ciała, śmierci lub uszkodzenia narzędzia w razie nieprzestrzegania poleceń z instrukcji.*



*Używać gogli ochronnych.  
Nosić rękawice ochronne.*



*Nie używać w deszczu.*



*Miniaturowy topik z opóźnieniem czasowym.*



*Maks. temperatura 45 °C.*



*Nie wrzucać akumulatora do ognia.*



*Nie wrzucać akumulatora do wody.*



*Zbiórka selektywna akumulatora litowo jonowego.*



*Nie wyrzucać produktu do nieodpowiednich pojemników.*



*Produkt spełnia wymogi odpowiednich norm bezpieczeństwa podanych w dyrektywach UE.*

### OGÓLNE ZALECENIA DOTYCZĄCE BEZPIECZEŃSTWA



**UWAGA! Przeczytać wszystkie ostrzeżenia dotyczące bezpieczeństwa i wszystkie instrukcje.** Nieprzestrzeganie wszystkich poniższych instrukcji może być przyczyną porażenia prądem, pożaru i/lub poważnych obrażeń.

#### Zachowaj poniższe instrukcje.

Termin „elektronarzędzia akumulatorowe” we wszystkich ostrzeżeniach zamieszczonych poniżej odnosi się do elektronarzędzi akumulatorowych zasilanych sieciowo (przewodowych) lub elektronarzędzi akumulatorowych działających na baterie (beprzewodowych).

#### 1) Obszar roboczy

- Obszar roboczy należy utrzymywać w czystości.** Powinien on być dobrze oświetlony. Nieład i złe oświetlenie mogą z łatwością doprowadzić do wypadku.
- Nie korzystaj z elektronarzędzi akumulatorowych w warunkach, w których łatwo może dojść do wybuchu, np. w obecności łatwopalnych cieczy, gazów lub pyłu.** Podczas pracy elektronarzędzi akumulatorowych powstają iskry, które mogą doprowadzić do zapłonu pyłu lub oparów.
- Dzieci i inne osoby postronne powinny pozostać w bezpiecznej odległości od pracującego urządzenia.** Rozproszenie uwagi może spowodować utratę kontroli nad urządzeniem.

#### 2) Bezpieczeństwo związane z elektrycznością

- Wtyczki elektronarzędzi akumulatorowych muszą być odpowiednie do danego gniazda. Pod żadnym pozorem nie należy modyfikować wtyczki w jakikolwiek sposób. Nie należy używać adapterów, które uziemiają elektronarzędzia akumulatorowe.** Stosowanie wtyczek nie poddanych modyfikacjom oraz odpowiednich gniazd zmniejsza ryzyko porażenia prądem.
- Należy unikać bezpośredniego kontaktu fizycznego z powierzchniami uziemionymi, takimi jak rury, grzejniki, kuchenki, lodówki.** Ryzyko porażenia prądem jest większe, jeśli ciało osoby obsługującej urządzenie jest uziemione.
- Nie należy wystawiać elektronarzędzi akumulatorowych na działanie deszczu lub wilgoci.** Dostanie się wody do wnętrza elektronarzędzia akumulatorowego zwiększy ryzyko porażenia prądem.
- Nie należy używać przewodu w niewłaściwy sposób. Pod żadnym pozorem nie należy wykorzystywać przewodu do przenoszenia lub ciągnięcia elektronarzędzia akumulatorowego, ani do jego odłączania od sieci. Przewodu nie należy wystawiać na działanie ciepła, smarów. Powinien on znajdować się w bezpiecznej odległości od ostrych krawędzi i części ruchomych.** Przewody uszkodzone lub poplątane zwiększają ryzyko porażenia prądem.

- e) **Podczas korzystania z elektronarzędzia akumulatorowego na wolnym powietrzu, należy używać przewodu przedłużacza przystosowanego do użytku na zewnątrz.** Używanie przewodu nadającego się do użytku na wolnym powietrzu zmniejsza ryzyko porażenia prądem.
- f) **Jeśli obsługa elektronarzędzia w wilgotnym miejscu jest nieunikniona, użyć zasilania wyposażonego w wyłącznik różnicowo-prądowy.** Użycie wyłącznika różnicowo-prądowego zmniejsza ryzyko porażenia prądem.
- 3) Bezpieczeństwo osoby obsługującej urządzenie**
- a) **Przez cały czas należy mieć się na baczności, uważać na to, co się robi, a w czasie obsługi elektronarzędzia akumulatorowego postępować mając na uwadze zdrowy rozsądek. Urządzenia nie powinny obsługiwać osoby zmęczone lub będące pod wpływem narkotyków, alkoholu lub leków.** Chwila nieuwagi w czasie obsługi elektronarzędzi akumulatorowych może być przyczyną powstania poważnych obrażeń ciała.
- b) **Należy korzystać ze sprzętu ochronnego oraz zawsze nosić okulary ochronne.** Sprzęt ochronny, jak na przykład maska przeciwpyłowa, antypoślizgowe obuwie ochronne, kask lub słuchawki ochronne używany we właściwych sytuacjach pozwoli na zmniejszenie ryzyka obrażeń ciała.
- c) **Unikać niezamierzonego uruchomienia. Przed podłączeniem urządzenia do sieci, zawsze sprawdzić, czy przełącznik znajduje się w pozycji „wyłączony”.** Przenoszenie elektronarzędzi z palcem na przełączniku lub włączonych elektronarzędzi z przełącznikiem w położeniu włączenia jest bardzo niebezpieczne i może powodować wypadki.
- d) **Przed włączeniem elektronarzędzia akumulatorowego należy usunąć z niego wszystkie klucze nastawcze lub maszynowe.** Pozostawienie klucza zamocowanego na jednej z części obrotowych urządzenia może spowodować powstanie obrażeń ciała.
- e) **Nie należy sięgać ponad urządzeniem. Przez cały czas należy zachować odpowiednią równowagę i zapewnić odpowiednie oparcie dla stóp.** Pozwoli to na lepsze kontrolowanie urządzenia w nieoczekiwanych sytuacjach.
- f) **Należy nosić odpowiednie ubranie. Do pracy z urządzeniem nie wkładać luźnych ubrań ani biżuterii. Włosy, ubranie i rękawiczki trzymać z dala od części ruchomych.** Luźne części ubrania, biżuteria lub długie włosy mogą zostać wciągnięte przez części ruchome.
- g) **Jeśli w urządzeniu przewidziano elementy służące do odprowadzania i zbierania pyłu, należy sprawdzić, czy są podłączone, i czy działają we właściwy sposób.** Korzystanie z tego typu elementów pozwala ograniczyć ryzyko związane z wydzielaniem pyłu podczas pracy urządzenia.
- h) **Nie zezwalać na to, aby rutyna związana z częstym korzystaniem z narzędzi powodowała nadmierną pewność siebie i ignorowanie zasad bezpiecznego korzystania z narzędzi.** Nieodpowiedzialne działanie może spowodować poważne obrażenia ciała w ułamku sekundy.
- 4) Obsługa i konserwacja elektronarzędzi akumulatorowych**
- a) **Urządzenia nie należy przeciążać. Należy korzystać z narzędzia odpowiedniego do danego typu pracy.** Odpowiednio dobrane urządzenie pozwoli na lepsze i bezpieczniejsze wykonanie pracy, we właściwym dla urządzenia tempie.
- b) **Z elektronarzędzia akumulatorowego nie należy korzystać, jeśli nie można go włączyć i wyłączyć przy pomocy przełącznika.** Urządzenie, którego nie można kontrolować używając przełącznika jest niebezpieczne i powinno być oddane do naprawy.
- c) **Przed przystąpieniem do regulowania elektronarzędzi akumulatorowych, wymiany akcesoriów lub przygotowywania urządzeń do okresu przechowywania, należy odłączyć wtyczkę od źródła zasilania.** Tego typu środki ostrożności zmniejszają ryzyko przypadkowego uruchomienia urządzenia.
- d) **Nieczynne elektronarzędzia akumulatorowe należy przechowywać poza zasięgiem dzieci. Nie należy pozwolić, aby osoby nie znające urządzenia lub niniejszych instrukcji obsługi użyły urządzenia.** Elektronarzędzia akumulatorowe w rękach niekompetentnych użytkowników stanowią zagrożenie.
- e) **Elektronarzędzia akumulatorowe należy utrzymywać w dobrym stanie technicznym. Należy sprawdzać, czy części ruchome są właściwie założone, i czy się nie zacinają. Należy również sprawdzać, czy jakieś części nie są uszkodzone oraz sprawdzać wszelkie inne elementy, które mogą wpłynąć na pracę urządzeń. Jeśli urządzenie jest uszkodzone, przed przystąpieniem do jego użytkowania, należy je naprawić.**

Częstą przyczyną wypadków jest zły stan techniczny urządzeń.

- f) **Narzędzia służące do cięcia powinny być naostrzone i utrzymywane w czystości.** Jeśli narzędzia służące do cięcia, które posiadają ostre krawędzie tnące, są właściwie konserwowane, istnieje mniejsze prawdopodobieństwo ich zacinania się. Ponadto, łatwiej je kontrolować.
  - g) **Elektronarzędzia akumulatorowego, akcesoriów, nakładek, itp. należy używać zgodnie z niniejszymi instrukcjami oraz w sposób właściwy dla danego rodzaju urządzenia, z uwzględnieniem warunków pracy oraz jej rodzaju.** Używanie urządzenia niezgodnie z przeznaczeniem może prowadzić do powstania sytuacji niebezpiecznych.
  - h) **Uchwyty należy utrzymywać w stanie suchym, czystym i niezabrudzonym olejem lub smarem.** Śliskie uchwyty i powierzchnie do chwytania nie pozwalają na bezpieczne obchodzenie się z narzędziami i panowanie nad nim w nieoczekiwanych sytuacjach.
- 5) Użytkowanie i konserwacja urządzenia zasilanego akumulatorkami**
- a) **Ładować tylko przy użyciu ładowarki określonej przez producenta.** Ładowarka przewidziana dla jednego rodzaju akumulatorków stwarza ryzyko pożaru w przypadku użycia jej z innym zestawem akumulatorków.
  - b) **Należy używać jedynie akumulatorków przeznaczonych dla danego urządzenia.** Użycie innych akumulatorków stwarza ryzyko wystąpienia obrażeń ciała lub pożaru.
  - c) **Kiedy akumulatorki nie są używane, należy przechowywać je z dala od przedmiotów metalowych, takich jak spinacze do papieru, monety, klucze, gwoździe, śruby lub inne niewielkie przedmioty metalowe, które mogłyby spowodować zwarcie pomiędzy stykami.** Zwarcie styków akumulatorka może spowodować pożar.
  - d) **W przypadku przeciążenia z akumulatorka może wycieknąć płyn; nie należy go dotykać. W razie przypadkowego kontaktu przemyć skórę wodą. W przypadku dostania się płynu do oczu należy skontaktować się z lekarzem.** Płyn z akumulatorka może powodować podrażnienia lub oparzenia.
  - e) **Nie używać uszkodzonego ani zmodyfikowanego akumulatora lub narzędzia.** Uszkodzone lub zmodyfikowane akumulatory mogą działać

w sposób nieoczekiwany, co może powodować pożar, wybuch lub ryzyko obrażeń ciała.

- f) **Nie wystawiać akumulatora ani narzędzia na działanie płomienia lub zbyt wysokiej temperatury.** Narażenie na działanie płomienia lub temperatury powyżej 130°C może spowodować wybuch. UWAGA Temperaturę „130 °C” można zastąpić temperaturą „265 °F”.
  - g) **Przestrzegać wszystkich instrukcji ładowania i nie ładować akumulatora ani narzędzia poza zakresem temperatury podanym w instrukcji.** Nieprawidłowe ładowanie lub ładowanie w temperaturze poza podanym zakresem może spowodować uszkodzenie akumulatora i zwiększyć ryzyko pożaru.
- 6) Serwis**
- a) **Zlecać serwisowanie elektronarzędzie wykwalifikowanemu technikowi stosującymi jedynie części zamienne identyczne z oryginalnymi.** Zapewni to zachowanie bezpieczeństwa elektronarzędzia.
  - b) **Nigdy nie serwisować uszkodzonych akumulatorów.** Serwisowanie akumulatorów może przeprowadzać wyłącznie producent lub autoryzowany serwis.

#### **DODATKOWE OSTRZEŻENIA DOTYCZĄCE BEZPIECZEŃSTWA DLA BEZPRZEWODOWYCH KOMPRESORÓW PNEUMATYCZNYCH**

- **To urządzenie może być używane przez dzieci w wieku od 8 lat i osoby z ograniczonymi zdolnościami fizycznymi, czuciowymi lub umysłowymi lub nieposiadające doświadczenia i wiedzy, jeśli znajdują się one pod nadzorem lub zostały przeszkolone z bezpiecznego użytkowania urządzenia i rozumieją związane z tym zagrożenia.**
- **Dzieciom nie wolno pozwalać bawić się urządzeniem. Dzieciom bez nadzoru nie wolno przeprowadzać czyszczenia i konserwacji urządzenia.**
- Ryzyko rozerwania - nie ustawiać regulatora ciśnienia na wartość wyższą niż podane maksymalne ciśnienie osprzętu.
- Ryzyko obrażeń ciała - nie kierować strumienia powietrza na ludzi lub zwierzęta.
- Nie używać do dostarczania powietrza do oddychania.
- Nie pozostawiać włączonego kompresora bez nadzoru przez długi okres. Odłączać zasilanie

od kompresora po zakończeniu pracy.

- Zapewnić dobrą wentylację kompresora. Nie zastaniać kompresora podczas użytku.
- Nie zdejmować osłony zaworu ani nie regulować komponentów wewnętrznych.
- Nie używać węża pneumatycznego do przemieszczania kompresora.
- Korzystanie z akcesoriów lub osprzętu nie zalecanego przez producenta może prowadzić do ryzyka obrażenia ciała.
- Wszystkie komponenty przewodu pneumatycznego, jak węże, rury, złączki, filtry itp. muszą być przeznaczone do pracy z minimalnym ciśnieniem roboczym 160 PSI lub ciśnieniem wynoszącym 150% maksymalnego ciśnienia systemu, w zależności od tego, która z tych wartości ciśnienia jest większa.
- Nie usuwać etykiet i tabliczek znamionowych z kompresora. Zawierają one ważne informacje dotyczące bezpieczeństwa.
- Ten produkt nie jest zabawką. Przechowywać go w miejscu niedostępnym dla dzieci.
- Nosić okulary ochronne z atestem i wytrzymałe rękawice robocze.
- Nie narażać na deszcz, wodę lub wilgoć.
- Osoba z rozrusznikiem serca powinna skonsultować się z lekarzem przed użyciem urządzenia. Pola elektromagnetyczne generowane w pobliżu rozrusznika serca może zakłócać jego pracę lub wywołać jego awarię.
- Nie pozostawiać urządzenia bez nadzoru z podłączonym akumulatorem. Wyłączyć narzędzie i wyjąć akumulator przed pozostawieniem narzędzia bez nadzoru.
- W obszarze pracy użytkownik odpowiada za szkody spowodowane przez osoby trzecie wynikające z użytkowania tego urządzenia.
- Nigdy nie kierować urządzenia na siebie ani inne osoby podczas użytkowania, w szczególności nie kierować go na oczy i uszy. Istnieje ryzyko obrażeń ciała!
- Nigdy nie czyścić odzieży sprężonym powietrzem.
- Nigdy nie pozostawiać urządzenia bez nadzoru podczas pracy i postępować zgodnie z instrukcją pompowania pompowanego elementu.
- Pompowany element może pęknąć i spowodować poważne obrażenia ciała.
- Ostrzeżenia, środki ostrożności i polecenia omówione w tej instrukcji nie obejmują wszystkich możliwych okoliczności i sytuacji, jakie

mogą wystąpić. Należy pamiętać, że operator musi stosować zdrowy rozsądek i uwzględnić czynniki, które pozostają poza kontrolą producenta urządzenia.

## BEZPIECZEŃSTWO PODCZAS KORZYSTANIA Z BEZPRZEWODOWEGO KOMPRESORA



*PRZESTROGA: Jak uniknąć uszkodzenia urządzenia i potencjalnych obrażeń ciała w jego wyniku.*

- Nie używać urządzenia podczas prowadzenia pojazdu.
- Przed użyciem sprawdzić urządzenie pod kątem uszkodzeń i używać tylko w przypadku, gdy jest ono w dobrym stanie technicznym.
- Nie narażać urządzenia na deszcz lub wilgoć i chronić je przed kontaktem z wodą. Istnieje ryzyko porażenia prądem!
- Nie zastaniać żadnych otworów urządzenia podczas pracy. Nie zatykać otworów palcami ani dłońmi i nie zakrywać urządzenia. Istnieje ryzyko przegrzania!
- Nie pozostawiać urządzenia w samochodzie, jeśli temperatura na zewnątrz jest wysoka.
- Może dojść do nieodwracalnego uszkodzenia urządzenia.
- Urządzenie nagrzewa się podczas pracy. Dotknięcie gorących powierzchni grozi poparzeniem.
- Nie pozwalać, aby piasek, kurz, pyłu lub inne małe cząstki przedostały się do otworów wlotowych lub wylotowych powietrza.
- Nie używać urządzenia w pobliżu łatwopalnych cieczy lub gazów. Nie zasysać gorącej pary. Nieprzestrzeganie tych zaleceń grozi pożarem lub wybuchem!
- Wyłączyć urządzenie i wyjąć akumulator:
  - kiedy urządzenie nie jest w użytku,
  - w razie pozostawienia urządzenia bez nadzoru,
  - na czas czyszczenia lub konserwacji,
  - jeśli do urządzenia dostaną się ciała obce lub w razie zauważenia nietypowych dźwięków.
- Używać wyłącznie akcesoriów dostarczonych i zalecanych przez producenta.
- Nie podejmować prób samodzielnej naprawy urządzenia.

**OSTRZEŻENIA DOTYCZĄCE AKUMULATORA**

- Nie otwierać akumulatora.** Ryzyko zwarcia.
- Chronić akumulator przed gorącem, np. długotrwałym silnym nasłonecznieniem, ogniem, wodą i wilgocią.** Ryzyko wybuchu.
- W razie uszkodzenia i błędnego użytkowania akumulatora, może dojść do emisji oparów. Przewietrzyć miejsce emisji i uzyskać pomoc lekarską w razie dolegliwości.** Opary mogą powodować podrażnienie układu oddechowego.
- Używać akumulatora wyłącznie w połączeniu z produktem marki Vonroc.** Takie postępowanie chroni akumulator przed niebezpiecznym przeciążeniem.
- Akumulator może zostać uszkodzony przez ostro zakończone przedmioty, jak gwoździe lub wkręta, albo przez uderzenie z zewnątrz.** Może dojść do wewnętrznego zwarcia i akumulator może zacząć się palić, dymić, wybuchnąć lub przegrzać się.

**DOTYCZY ŁADOWARKI****Przeznaczenie**

Ładować wyłącznie akumulatory CD801AA i CD803AA, a nie baterie jednorazowego użytku. Inne baterie mogą pękać, powodując obrażenia ciała i uszkodzenia mienia.

- Urządzenie nie jest przeznaczone do użytku przez osoby (w tym dzieci) o ograniczonych zdolnościach fizycznych, czuciowych lub umysłowych albo nie posiadające doświadczenia i wiedzy, chyba że zostały one odpowiednio poinstruowane i są pod nadzorem.**
- Dzieciom nie wolno pozwalać bawić się urządzeniem.**
- Nie ładować zwykłych baterii!**
- Podczas ładowania akumulatory muszą znajdować się w dobrze wentylowanym miejscu!**



**Ostrzeżenie!** To elektronarzędzie wytwarza pole elektromagnetyczne podczas pracy. To pole może w pewnych okolicznościach zakłócać aktywne lub pasywne implanty medyczne. Aby ograniczyć ryzyko poważnych lub śmiertelnych obrażeń ciała, zalecamy osobom z implantami medycznymi konsultację z lekarzem oraz producentem implantu przed rozpoczęciem obsługi tego elektronarzędzia.

**2. INFORMACJE O MASZYNI****Przeznaczenie**

To urządzenie jest przeznaczone do wytwarzania ciśnienia w oponach (np. samochodowych, motocyklowych i rowerowych), piłkach, materacach pneumatycznych i innych produktach napełnianych powietrzem. Urządzenie jest również przeznaczone do pompowania/odsysania z dużą szybkością i niskim ciśnieniem, np. do pracy z materacami, pontonami i pływającymi zabawkami basenowymi. Bezprzewodowy kompresor można zasilac z akumulatora 20 V lub przez gniazdo zapalniczki 12 V (w samochodzie, kamperze, ciężarówce itp.). To urządzenie nie jest przeznaczone do pracy ciągłej przez dłużej niż 10 min. Takie użytkowanie może spowodować uszkodzenie urządzenia i stanowić poważne zagrożenie dla użytkownika. Producent nie ponosi odpowiedzialności za szkody spowodowane błędnym użytkowaniem lub błędną obsługą.

**DANE TECHNICZNE**


*Niniejsza instrukcja dotyczy różnych zestawów/numerów artykułów. Sprawdź odpowiedni numer artykułu w poniższej tabeli, aby uzyskać informacje na temat zawartości zestawu.*


Nr modelu	Baterie w komplecie	Ładowarka w komplecie
<b>CR503DC</b>	-	-
<b>S_CR503DC</b>	CD801AA	CD802AA
<b>S2_CR503DC</b>	2 x CD801AA	CD802AA
<b>S3_CR503DC</b>	CD803AA	CD802AA


Informacje o maszynie	
Napięcie akumulatora	20V
Napięcie gniazda zapalniczki	12V
Wtyczka zasilania przez gniazdo zapalniczki	60W
Ciśnienie powietrza	Max 160 PSI / 11 bar /1100 Kpa
Długość węża wysokiego ciśnienia	790mm
Długość węża niskiego ciśnienia	360mm



Natężenie przepływu kompresora	Max 12L/min
Natężenie przepływu dmuchawy	Max 380L/min
Prędkość bez obciążenia	
Pompa	17000/min
Odsysanie	22000/min
Praca ciągła	max. 10 min*
Poziom ciśnienia akustycznego $L_{PA}$	71,2 dB(A), K=3dB(A)
Poziom mocy akustycznej $L_{WA}$	82,2 dB(A), K=3dB(A)

Nr modelu	CD801AA
Typ akumulatora	Litowo-jonowy
Napięcie	20V 
Pojemność	2.0 Ah
Zalecana ładowarka	CD802AA
Waga	0.3 kg

Nr modelu	CD802AA
Parametry wejściowe ładowarki	220-240V, 50Hz 0.4A
Parametry wyjściowe ładowarki	21V  2.5A
Czas ładowania akumulatora 2 Ah	60 minut
Czas ładowania akumulatora 4 Ah	120 minut
Zalecane akumulatory	CD801AA, CD803AA
Waga	0.36 kg

Nr modelu	CD803AA
Typ akumulatora	Lithium-Ion
Napięcie	20V 
Pojemność	4.0, Ah
Zalecana ładowarka	CD802AA
Ciężar	0,65 kg

\* Aby zapewnić optymalną trwałość urządzenia, nie używać go bez przerwy przez dłużej niż 10 minut. Po używaniu przez 10 minut należy wyłączyć je na 10 minut.

Używać wyłącznie następujących akumulatorów z platformy akumulatorów VONROC VPOWER 20V. Użycie innych akumulatorów może spowodować poważne obrażenia ciała lub uszkodzenie narzędzia.

CD801AA 20V, 2Ah litowo-jonowy  
CD802AA 20V, 4Ah litowo-jonowy

Następującej ładowarki można używać do ładowania tych akumulatorów.

CD803AA Szybka ładowarka

Akumulatory należące do platformy VONROC VPOWER 20V można stosować we wszystkich narzędziach z platformy VONROC VPOWER.

## OPIS

Liczby w tekście odnoszą się do rysunków na stronach 2 - 4.

1. Maszyna
2. Akumulator
3. Przycisk odblokowania akumulatora
4. Lampka robocza
5. Ładowarka
6. Dioda LED ładowarki
7. Dźwignia zaciskająca
8. Zawór złącza wysokiego ciśnienia
9. Wąż wysokiego ciśnienia
10. Schówek na wąż wysokiego ciśnienia
11. Wąż niskiego ciśnienia
12. Schówek na wąż niskiego ciśnienia
13. Duże/średnie/małe złącze do pompowania/odsysania
14. Adapter do bardzo małych zaworów
15. Adapter zaworu do piłek
16. Adapter zaworu rowerowego Dunlop/blitz
17. Adapter zaworu rowerowego Presta
18. Adapter zaworu rowerowego Schrader
19. Schówek na adaptery zaworów
20. Wybierak trybu I / 0 / II
21. Panel sterujący + / "PSI/BAR/KPA" / -
22. Podłączenie do pompowania
23. Występy
24. Nacięcia
25. Podłączenie do odsysania
26. Włacznik oświetlenia roboczego
27. Kontrolka akumulatora
28. Wyświetlacz
29. Wtyczka do gniazdka samochodowego 12 V
30. Schówek na wtyczkę do gniazdka samochodowego
31. Diody LED akumulatora
32. Przycisk diod LED akumulatora

### 3. OBSŁUGA

#### Pierwsze użycie (Rys. A)



*Nie używać urządzenia w środowisku zapyłonym. Takie użycie grozi pożarem i może spowodować uszkodzenie urządzenia.*



*Aby zapobiec przegrzaniu podczas pompowania, utrzymywać wlot powietrza i otwory wentylacyjne wolne od przeszkód. Zawsze korzystać z atestowanych środków ochrony wzroku podczas użytkowania.*

Postawić produkt na płaskiej i niepalnej powierzchni. W zależności od pompowanego produktu można używać niskiego lub wysokiego ciśnienia. Ustawienia wysokiego ciśnienia używać najlepiej wtedy, gdy konieczne jest precyzyjne ustawienie ciśnienia. Ustawić żądane ciśnienie, aby maszyna przestała pompować po jego osiągnięciu.

Ustawienia niskiego ciśnienia najlepiej używać do pompowania dużych produktów i odsysania z nich powietrza.

- W zależności od opony napełnianej powietrzem, można użyć zaworu połączeniowego wysokiego ciśnienia (8) bezpośrednio lub w połączeniu z jednym z dołączonych adapterów zaworu (16, 17, 18)
- Do piłek (wysokie ciśnienie) użyć adaptera zaworu do piłek (15)
- Do pompowania produktów wymagających wysokiego ciśnienia pompowania wyposażonych w mały zawór użyć adaptera do bardzo małych zaworów (14).
- W zależności od produktu napełnianego powietrzem, można użyć zaworu połączeniowego niskiego ciśnienia (11) bezpośrednio lub w połączeniu z jednym z dołączonych adapterów węża (13)



*W przypadku napełniania powietrzem przedmiotów generujących przeciwnie (np. częściowo napełniona powietrzem opona samochodowa): Włączyć produkt przed podłączeniem zaworu połączeniowego wysokiego ciśnienia (8) do opony.*

Ten produkt nie jest przeznaczony do ciągłej pracy. Został on opracowany w celu wytwarzania ciśnienia powietrza, a nie jego objętości. Nie używać produk-

tu dłużej niż 10 minut bez przerwy, aby zapobiec jego przegrzaniu i uszkodzeniu. Następnie pozwolić produktowi stygnąć przez co najmniej 10 minut.

Jeśli urządzenie nie będzie używane przez 3 minuty, automatycznie przełączy się w tryb gotowości. W trybie gotowości nie można używać oświetlenia LED.



*Akumulator należy naładować przed pierwszym użyciem.*

#### Do korzystania z akumulatora 20 V:

##### Wymowanie akumulatora z narzędzia (Rys. B1)

- Wcisnąć przyciski odblokowania akumulatora (3) i wyjąć akumulator z narzędzia.

##### Wkładanie akumulatora do narzędzia (Rys. B2)



*Dopilnować, aby zewnętrzna powierzchnia akumulatora była czysta i sucha przed podłączeniem do ładowarki lub narzędzia.*

- Włożyć akumulator (2) w podstawę narzędzia.
- Wcisnąć akumulator dalej, aż zatrzaśnie się w poprawnym położeniu.



*Kiedy narzędzie nie jest używane przez długi okres, najlepiej przechowywać akumulator w stanie naładowanym.*



*Urządzenie drga podczas pracy. Zawsze dopilnować, aby podczas pracy narzędzie stało na gumowych nóżkach, w jakie jest wyposażone.*

##### Sprawdzanie stanu naładowania akumulatora (rys. B2)

- Aby sprawdzić stan naładowania akumulatora, wcisnąć przycisk (32) na akumulatorze na chwilę.
- Akumulator ma 3 diody informujące o poziomie naładowania. Im więcej świeci dioda, tym wyższy poziom naładowania akumulatora.
- Jeśli diody nie świecą, oznacza to, że akumulator jest rozładowany i wymaga niezwłocznego naładowania.

##### Ładowanie akumulatora ładowarką (Rys. B2)

1. Wyjąć akumulator (2) z narzędzia.
2. Ustawić akumulator (2) spodem do góry i wsunąć go na ładowarkę (5) zgodnie z rys. B2.

3. Wcisnąć akumulator do oporu do gniazda.
4. Podłączyć ładowarkę do gniazda i poczekać chwilę. Dioda LED na Akumulator (6) zaświeci się, informując o stanie ładowania.

**Akumulator jest wyposażona w 2 diodę LED (31), informującą o stanie procesu ładowania:**

Stan czerwonej diody	Stan zielonej diody LED	Stan ładowarki
Wył.	Wył.	Brak zasilania Wył.
Wył.	Wł.	Tryb gotowości: - Nie włożono akumulatora lub - Akumulator włożony, ale ładowanie się zakończyło Wł.
Wł.	Wył.	Ładowanie akumulatora w toku

- Całkowite naładowanie akumulatora 2Ah może trwać do 60 minut.
- Całkowite naładowanie akumulatora 4Ah może trwać do 120 minut.

Po całkowitym naładowaniu akumulatora wyjąć wtyczkę ładowarki z gniazda i wyjąć akumulator z ładowarki.



*Kiedy narzędzie nie jest używane przez długi okres, najlepiej przechowywać akumulator w stanie naładowanym.*

### **Do korzystania z gniazda samochodowego 12 V: Schowek na wtyczkę do gniazda samochodowego (Rys. C)**

Wtyczka do gniazda samochodowego mieści się w schowku na spodzie urządzenia.

### **Podłączanie do gniazda zapalniczki (Rys. A)**

Sprawdzić, czy gniazdo zapalniczki pojazdu jest wyposażone w bezpiecznik odpowiednich rozmiarów.

- Podłączyć wtyczkę gniazda zapalniczki (29) do gniazda zapalniczki 12 V. Jeśli nie wie się, jak to zrobić, skorzystać z instrukcji obsługi pojazdu.

### **Włączanie/wyłączanie narzędzia**

- Nacisnąć wybierak ciśnienia (21), co spowoduje włączenie wyświetlacza (28).
- Urządzenie wyłączy się automatycznie po

kilku minutach, po wyjęciu akumulatora/wtyczki gniazda zapalniczki lub po przytrzymaniu wybieraka ciśnienia (21) przez kilka sekund. Po wyłączeniu wyświetlacza (28) zgaśnie.

### **WYSOKIE CIŚNIENIE, NISKA OBJĘTOŚĆ - OPONY I PIŁKI - USTAWIENIE „I” (RYS. D1, D2)**

#### **Podłączanie zaworu połączeniowego wysokiego ciśnienia bez adaptera zaworu**

1. Otworzyć zawór połączeniowy (8); dźwignia zaciskająca (7) będzie w położeniu przedstawionym na rysunku D1.
2. Włożyć otwarty zawór połączeniowy (8) w zawór pompowanego przedmiotu (w razie potrzeby, najpierw zdjęć nakrętkę zaworu pompowanego przedmiotu).
3. Trzymać zawór połączeniowy (8) i zamknąć go: pchnąć dźwignię zaciskającą (7) w stronę zaworu połączeniowego (8).

#### **Podłączanie zaworu połączeniowego wysokiego ciśnienia z adapterem zaworu**



*Uważać, aby nie pompować piłek za mocno, bo mogą wybuchnąć.*



*Z uwagi na skład materiałów, z jakich wykonane są materace pneumatyczne, pontony itp., dokładne podanie ciśnienia jest niemożliwe. Z tego powodu uważać, aby nie napompować takich produktów za mocno, bo mogą wybuchnąć.*

### **W przypadku adaptera zaworu do piłek I adaptera do bardzo małych zaworów do pływających zabawek basenowych**

1. Otworzyć zawór połączeniowy (8); dźwignia zaciskająca (7) będzie w położeniu przedstawionym na rysunku D1.
2. Wcisnąć lub wkręcić odpowiedni adapter zaworu (14, 15) w otwór zaworu połączeniowego (8).
3. Zabezpieczyć adapter zaworu (14, 15), zamykając zawór połączeniowy (8): pchnąć dźwignię zaciskającą (7) w stronę zaworu połączeniowego (8) zgodnie z rysunkiem D2.
4. Włożyć adapter zaworu (14, 15) w zawór pompowanego przedmiotu (w razie potrzeby, najpierw zdjęć nakrętkę zaworu pompowanego przedmiotu).

**W przypadku adaptera zaworu do opon**

1. Nakręcić adapter zaworu (16, 17, 18) na zawór opony (w razie potrzeby, najpierw zdjąć nakrętkę zaworu opony).
2. Otworzyć zawór połączeniowy (8); dźwignia zaciskająca (7) będzie w położeniu przedstawionym na rysunku D1.
3. Wcisnąć zawór połączeniowy (8) na adapter zaworu (16, 17, 18)
4. Trzymać zawór połączeniowy (8); pchnąć dźwignię zaciskającą (7) w stronę zaworu połączeniowego (8) zgodnie z rysunkiem D2.

**Ustawianie ciśnienia automatycznego wyłączenia (Rys. E)**

1. Nacisnąć wybierak ciśnienia (21) na panelu sterowania, aby przełączać między różnymi jednostkami ciśnienia (PSI, BAR, Kpa) do uzyskania żądanej jednostki.
2. Nacisnąć „+” lub „-” na panelu sterującym do wyświetlenia żądanego ciśnienia na ekranie. Przytrzymując „+” lub „-” można szybciej zwiększać lub zmniejszać ciśnienie, zwolnić „+” lub „-” w momencie ustawienia żądanego ciśnienia.

**Uwaga:** Po 3 sekundach ekran zamiga i powróci do odczytu „0,0”. To normalne. Wybrane ustawienie ciśnienia zostaje zapisane w urządzeniu.

3. Przetawić wybierak trybu I/0/II w położenie „I”, aby włączyć urządzenie w trybie wysokiego ciśnienia.
4. Kiedy produkt do napompowania osiągnie ustaloną wcześniej wartość ciśnienia, urządzenie wyłączy się automatycznie.

**Uwaga:** Zauważalny może być spadek wskazywanego ciśnienia po kilku sekundach. To normalne.

5. Aby zatrzymać kompresor w dowolnej chwili, przestawić wybierak trybu I/0/II (20) w położenie „0”, co wyłączy urządzenie.

**Uwaga:** Po wyłączeniu urządzenia wszystkie ustawienia zostaną utracone i konieczne będzie ich ponowne wprowadzenie. Jest to funkcja zabezpieczająca przed ryzykiem NADMIERNEGO NAPOMPOWANIA.

**Uwaga:** Po kilku minutach narzędzie wyłączy się automatycznie. Aby włączyć urządzenie, nacisnąć

wyberak ciśnienia (21), co spowoduje włączenie wyświetlacza (28).

**Uwaga:** Podczas korzystania z adaptera zaworu Dunlop wskaźnik ciśnienia nie podaje dokładnej wartości z uwagi na budowę zaworu. Podczas pompowania opony nie używać wartości podanej na wskaźniku ciśnienia, ale sprawdzać stan opony. Jeśli narzędzie wyłączy się przed osiągnięciem żądanego ciśnienia w oponie, dostosować zawór ciśnieniowy, a następnie ponownie napompować oponę.

**Uwaga:** Podczas pompowania rur pływakowych wskaźnik ciśnienia nie podaje precyzyjnej wartości ciśnienia, ponieważ ciśnienie w takich rurach jest niższe od 20 kPa (3 PSI). Podczas pompowania rury pływakowej nie używać wartości podanej na wskaźniku ciśnienia, ale sprawdzać stan rury.

**Korzystanie z kompresora w roli manometru**

**Uwaga:** To urządzenie korzysta z pamięci ustawień. Konieczne wyłączyć maszynę, aby usunąć ustawienie z pamięci, przed użyciem funkcji manometru.

1. Aby włączyć urządzenie, nacisnąć wybierak ciśnienia (21), co spowoduje włączenie wyświetlacza (28).
2. Ponownie podłączyć wąż podłączony do zaworu, jaki ma być użyty do pomiaru.
3. Wskaźnik cyfrowy poda ciśnienie w produkcie.

**Wymowanie zaworu połączeniowego (Rys. D1, D2)**

Wymowanie z adapterem zaworu lub bez: Otworzyć zawór zaciskający (7) zaworu połączeniowego (8) i wyjąć go z zaworu i/lub adaptera pompowanego produktu. Usunąć adapter i zamknąć zawór pompowanego produktu (piłki, pływającej zabawki lub opony)

**Uwaga:** Powietrze może uciekać przez zawór pompowanego produktu podczas odłączania zaworu połączeniowego (8). Uważać, aby nie wyjąć zaworu połączeniowego (8) za szybko. Konieczne może być zwiększenie ciśnienia do żądanego poziomu w celu skompensowania utraty powietrza podczas odłączania.

**Przechowywanie węża wysokiego ciśnienia i adapterów zaworu (Rys. G)**

- Wąż wysokiego ciśnienia (9) umieszczony jest w schowku (10) z tyłu narzędzia. Owinąć wąż

wysokiego ciśnienia wokół narzędzia, umieszczając go w kanale schowka.

- Adaptery zaworów (14, 15, 16) przechowuje się w schowku na adaptery zaworów z tyłu urządzenia (19).

## NISKIE CIŚNIENIE, WYSOKA OBJĘTOŚĆ - PŁYWAJĄCE ZABAWKI BASENOWE ITP. - POZYCJA „II”

### Pompowanie

#### Podłączenie węża niskiego ciśnienia do kompresora (Rys. H1)

- Wyjąć wąż niskiego ciśnienia (11) ze schowka (12).
- Dopasować wycięcia (24) węża do występów (23) na złączu niskiego ciśnienia (22).
- Następnie nasunąć wąż i przekręcić go przeciwnie do wskazówek zegara w celu zamocowania.
- Aby usunąć, przekręcić wąż zgodnie ze wskazówkami zegara i zsunąć.

**Uwaga:** Wiele produktów do pompowania, szczególnie materacy, wyposażonych jest w wewnętrzną klapkę zapobiegającą ucieczce powietrza podczas pompowania. Jeśli ta klapka nie zostanie odsunięta przez dyszę, napompowanie produktu będzie niemożliwe. Mocno wcisnąć dyszę do zaworu, aby odsunąć klapkę.

**OSTRZEŻENIE:** Ryzyko rozerwania. Nadmierne ciśnienie powietrza może grozić rozerwaniem produktu i obrażeniami ciała. Sprawdzić podane przez producenta ciśnienie maksymalne dla pompowanych produktów.

#### W przypadku niektórych węży konieczne jest użycie złącza innego rozmiaru niż standardowe na wężu niskiego ciśnienia:

- Założyć odpowiedni adapter podłączony do węża niskiego ciśnienia (11) i zamontować go na końcu węża.
- Wybrać złącze duże, średnie lub małe (13).
- Sprawdzić dopasowanie przed przymocowaniem go do węża niskiego ciśnienia (11).
- Podłączyć wybrane złącze, wciskając je w wąż niskiego ciśnienia.

### Odsysanie

#### Podłączenie węża niskiego ciśnienia do kompresora (Rys. H2)

1. Wyjąć wąż niskiego ciśnienia (11) ze schowka (12).
2. Wcisnąć wąż w złącze do odsysania (25)
3. Włożyć wąż w pompowany produkt za pomocą odpowiedniego adaptera.

#### Ustawianie ciśnienia automatycznego wyłączenia

Podczas korzystania z trybu niskiego ciśnienia nie można korzystać z automatycznego wyłączenia w oparciu o ciśnienie.

#### Światło robocze (4) (Rys. E)

**Uwaga:** Kiedy akumulator jest umieszczony w urządzeniu lub urządzenie jest podłączone do gniazda zapalniczki 12 V i urządzenie pracuje w trybie gotowości, diody LED nie włączą się.

- Aby włączyć urządzenie, nacisnąć wybierak ciśnienia (21), co spowoduje włączenie wyświetlacza (28).
- Włączyć światło robocze, naciskając jego włącznik (26).
- Wyłączyć światło robocze, naciskając jego włącznik (26).

## 4. KONSERWACJA



*Przed rozpoczęciem czyszczenia i konserwacji zawsze wyluzować maszynę i wyjąć z niej akumulator.*

Czyszczyć obudowę maszyny regularnie miękką ściereczką, najlepiej po każdym użyciu. Dopilnować, aby otwory wentylacyjne były wolne od pyłu, kurzu i zabrudzeń. Usuwać odporne zabrudzenia miękką ściereczką zwilżoną mydlinami. Nie używać żadnych rozpuszczalników, takich jak benzyna, alkohol, amoniak itp. Takie substancje chemiczne spowodują uszkodzenie części z tworzyw sztucznych.

## ŚRODOWISKO



*Uszkodzone i/lub niepotrzebne urządzenia elektryczne lub elektroniczne podlegają zbiórce w odpowiednich punktach recyklingu.*

#### Tylko kraje WE

Nie wyrzucać elektronarzędzi wraz z odpadami z gospodarstw domowych. Zgodnie z dyrektywą

2012/19/WE dotycząca zużytych urządzeń elektrycznych i elektronicznych oraz jej wdrożeniem do prawodawstwa krajowego, elektronarzędzia, które już nie nadają się do użytku, podlegają oddzielnej zbiórce oraz utylizacji w sposób przyjazny dla środowiska.

## GWARANCJA

Produkty VONROC są wytwarzane zgodnie z najwyższymi standardami jakości i producent udziela gwarancji na wady materiałowe i wady wykonania na okres wymagany prawem, licząc od dnia zakupu. Jeśli wystąpi usterka produktu w tym okresie spowodowana wadą materiałową i/lub wadą wykonania, proszę bezpośrednio skontaktować się ze sprzedawcą VONROC.

Następujące okoliczności powodują unieważnienie gwarancji:

- Przeprowadzono naprawy lub modyfikacje narzędzia w serwisie innym lub autoryzowany lub podjęto ich próbę;
- Normalne zużycie nie jest objęte gwarancją;
- Narzędzie było używane niezgodnie z przeznaczeniem, źle z nim się obchodzono lub było nieprawidłowo konserwowane;
- Użyto części zamiennych innych niż oryginalne.

Niniejsza gwarancja to wyłączna gwarancja producenta i nie obowiązują żadne inne wyrażone ani dorozumiane gwarancje. Nie obowiązują żadne inne wyrażone ani dorozumiane gwarancje o zakresie przekraczającym niniejszą gwarancję, co obejmuje dorozumiane gwarancje przydatności do sprzedaży i przydatności do określonego celu. W żadnym przypadku firma VONROC nie ponosi odpowiedzialności za straty przypadkowe lub wynikowe. Zadośćuczynienie sprzedawcy jest ograniczone do naprawy lub wymiany niezgodnych urządzeń lub części.

**Produkt i instrukcja obsługi podlegają zmianom. Dane techniczne podlegają zmianom bez uprzedzenia.**

## 1. GÜVENLİK TALİMATLARI

Ekteki güvenlik uyarılarını, ilave güvenlik uyarılarını ve talimatları okuyun. Güvenlik uyarılarını ve talimatları izlememek elektrik çarpması, yangın ve/veya ciddi yaralanma ile sonuçlanabilir. Güvenlik uyarılarını ve talimatları ilerde bakmak üzere muhafaza edin.

Aşağıdaki semboller kullanıcı kılavuzunda veya ürün üzerinde kullanılmaktadır:



*Kullanıcı kılavuzunu okuyun.*



*Bu kılavuzdaki talimatlara uymama durumunda bedensel yaralanma, can kaybı veya alete hasat riskini belirtir.*



*Koruyucu gözlük takın.  
Duyma koruması takın.*



*Yağmur altında kullanmayın.*



*Gecikmeli minyatür sigorta bağlantısı.*



*Maksimum sıcaklık 45 °C.*



*Pili ateşe atmayın.*



*Pili suya atmayın.*



*Ürün, Avrupa yönergelerindeki geçerli güvenlik standartlarına uygundur.*



*Ürünü uygun olmayan kaplara atmayın.*



*Ürün, Avrupa yönergelerindeki geçerli güvenlik standartlarına uygundur.*

### GENEL ELEKTRİKLI ALET GÜVENLİK UYARILARI



**UYARI** Tüm güvenlik uyarılarını ve tüm talimatları okuyun. Uyarılara uyulmadı ve talimatlar elektrik çarpmasına, yangına ve/veya ciddi yaralanmalara neden olabilir.

### Tüm uyarıları ve talimatları gelecekte başvurmak üzere saklayın.

Uyarılardaki "elektrikli alet" terimi, şebeke elektriği ile çalışan (kablolu) elektrikli alet veya pil ile çalışan (kablesiz) elektrikli alet anlamına gelir.

**1) İş aşanı güvenliği**

- a) **İş alanını temiz ve aydınlık tutun.** Dağınık veya karanlık bölgeler, kazalara davetiye çıkarır.
- b) **Elektrikli aletleri, yanıcı sıvıların, gazların veya tozun var olduğu patlayıcı atmosferlerde kullanmayın.** Elektrikli aletler, tozu veya dumanları ateşleyebilecek kıvılcımlar oluşturur.
- c) **Bir elektrikli aleti kullanırken, çocukları ve çevredekileri uzak tutun.** Dikkatiniz dağılırsa kontrolü kaybedebilirsiniz.

**2) Elektrik güvenliği**

- a) **Elektrikli alet fişleri, prize uygun olmalıdır. Fişi, hiçbir şekilde modifiye etmeyin. Topraklı elektrikli aletlerle, herhangi bir fiş adaptörü kullanmayın.** Modifiye edilmemiş fişler ve buna uygun prizler, elektrik çarpması riskini azaltır.
- b) **Borular, radyatörler, ocaklar ve buzdolapları gibi topraklı yüzeylerle temastan kaçınınız.** Eğer vücudunuz topraklanmışsa, elektrik çarpması riski daha fazla olur.
- c) **Elektrikli aletleri yağmura veya ıslaklığa maruz bırakmayın.** Bir elektrikli alete su girmesi durumunda, elektrik çarpması riski artacaktır.
- d) **Kabloya kötü davranmayın. Kabloyu taşıma amacıyla, elektrikli aleti ya da elektrikli aletin fişini çekmek için kullanmayın. Kabloyu ısıdan, yağdan, keskin kenarlardan ya da hareketli parçalardan uzak tutun.** Hasar görmüş ya da dolmuş kablolar, elektrik çarpması riskini artırır.
- e) **Bir elektrikli aleti dış mekanlarda kullanırken, dış mekan kullanımına uygun bir uzatma kablosu kullanınız.** Dış mekan kullanımına uygun ir kablo kullanıldığında, elektrik çarpması riski azalır.
- f) **Elektrikli aleti nemli bir konumda çalıştırmak kaçınılmazsa, kaçak akım cihazı (RCD) korumalı bir kaynak kullanınız.** RCD kullanımı elektrik çarpması riskini azaltır.

**3) Kişisel güvenlik**

- a) **Elektrikli aleti kullanırken tetikte kalın, ne yaptığınıza dikkat edin ve sağduyulu davranın. Bir elektrikli aleti yorgun olduğunuzda ya da uyuşturucu, alkol veya ilaç etkisindeyken kullanmayın.** Elektrikli aleti kullanırken bir anlık dikkatsizlik ciddi kişisel yaralanmalara neden olabilir.
- b) **Kişisel koruyucu donanım kullanınız. Her zaman göz koruması takın.** Uygun durumlar için kullanılan toz maskesi, kaymaz güvenlik ayakkabıları, baret veya kulak tıkacı gibi koruyucu donanımlar, kişisel yaralanma riskini azaltacaktır.
- c) **Kasıtsız çalışmayı önleyin. Bir elektrik kaynağını**

**ve/veya pil takımını bağlamadan, aleti kaldırmadan ya da taşımadan önce elektrikli aletin anahtarının kapalı durumda olduğundan emin olun.**

- Elektrikli aletleri parmağınız anahtar üzerindeki taşımacı veya anahtarı açık elektrikli aletleri harekete geçirmek kazalara davetiye çıkarır.
- d) **Elektrikli aleti açık duruma getirmeden önce her türlü ayar anahtarını çıkarın.** Elektrikli aletin dönen bir parçasında kalan bir anahtar, kişisel yaralanmalara neden olabilir.
- e) **Fazla uzanmayın. Ayaklarınızı sağlam basın ve her zaman dengeli olun.** Böylece beklenmeyen durumlarda elektrikli aleti daha iyi kontrol edebilirsiniz.
- f) **Uygun kıyafetler giyin. Bol kıyafetler giymeyin, takılar takmayın. Saçınızı, kıyafetlerinizi ve eldivenlerinizi, hareketli parçalardan uzak tutun.** Bol kıyafetler, takılar veya uzun saç, hareketli parçalara takılabilir.
- g) **Eğer cihazlar toz giderme ve toplama tesislerinin bağlantısı için sağlanmışsa, bunların bağlandığından ve düzgün bir şekilde kullanıldığından emin olun.** Toz toplama ile tozla ilgili tehlikeleri azaltılabilir.
- h) **Aletlerin sık kullanılmasından edindiğiniz bilgi birikiminin sizi aşırı rehavete sürüklemesine izin vermeyin ve araç güvenliği ilkelerini göz ardı etmeyin.** Dikkatsiz bir hareket, bir saniyeden bile kısa sürede ciddi yaralanmalara neden olabilir.

**4) Elektrikli alet kullanımı ve bakımı**

- a) **Elektrikli aleti zorlamayın. Uygulamanız için doğru elektrikli aleti kullanınız.** Doğru elektrikli alet, tasarıma amacına uygun olarak işi daha iyi yapacaktır.
- b) **Eğer anahtarlar açılıp kapatılamıyorsa, elektrikli aleti kullanmayın.** Anahtarla kumanda edilemeyen elektrikli aletler tehlikelidir ve tamir edilmelidir.
- c) **Herhangi bir ayar, aksesuar değişimi ya da depolama işleminden önce elektrikli aletin fişini elektrik kaynağından çıkarın ve/veya pil takımını elektrikli aletten çıkarın.** Bu tür önleyici güvenlik önlemleri, elektrikli aletin kazara çalışma riskini azaltır.
- d) **Boş durumdaki elektrikli aletleri çocukların erişemeyeceği bir yerde muhafaza edin ve elektrikli aletin nasıl çalıştığını ya da bu talimatları bilmeyen kişilerin elektrikli aleti kullanmasına izin vermeyin.** Elektrikli aletler, eğitimsiz kullanıcıların elinde tehlikeli olur.
- e) **Elektrikli aletlerin bakımını yapın. Hatalı ayarlar**



veya hareketli parçaların bağlanması, parça kırılmaları ve elektrikli aletin çalışmasını etkileyecek diğer durumlar için kontrol gerçekleştirin. Eğer herhangi bir hasar varsa, elektrikli alet kullanılmadan önce tamir edilmelidir. Çoğu kazaya bakımı iyi yapılmayan elektrikli aletler neden olur.

- f) **Kesme aletlerini keskin ve temiz tutun.** Bakımı iyi yapılan ve keskin kenarlara sahip kesme aletlerinde donmalar daha az yaşanır ve kontrol edilmeleri daha kolay olur.
- g) **Elektrikli aleti, aksesuarlarını ve torna kalemlerini bu talimatlara uygun olarak kullanın, çalışma koşullarını ve gerçekleştirecek olan işi dikkate alın.** Elektrikli aletin kullanım amacı dışında kullanılması, tehlikeli durumlarla sonuçlanabilir.
- h) **Tutamakları ve tutma yerlerini kuru, temiz ve yağdan arındırılmış şekilde muhafaza edin.** Kaygan tutamaklar ve tutma yerleri, beklenmedik durumlarda aletin güvenli şekilde taşınmasına ve kontrol edilmesine izin vermez.

#### 5) Pili alet kullanımı ve bakımı

- a) **Yalnızca üretici tarafından belirtilen şarj aletiyle şarj edin.** Bir türde pil takımı için uygun bir şarj cihazı, başka bir pil takımı ile kullanıldığında yangın riski oluşturabilir.
- b) **Elektrikli aletleri yalnızca özel olarak belirlenmiş pil takımlarıyla kullanın.** Başka pil takımlarının kullanımı yaralanma ve yangın riski oluşturabilir.
- c) **Pil takımı kullanılmadığı zamanda, ataşlar, bozuk paralar, anahtarlar, çiviler, vidalar veya diğer küçük metal nesnelere gibi bir uçtan diğerine bir bağlantı yapabilecek diğer metal nesnelere uzak tutun.** Pil uçlarını birbirine kısa devre yaptırmak yanıklara veya yangına neden olabilir.
- d) **Bozulma durumlarında pilden sıvı çıkabilir; temastan kaçının. Kazara temas gerçekleşirse, suyla yıkayın. Sıvı gözlerle temas ederse ayrıca tıbbi yardım isteyin.** Pilden çıkan sıvı tahriş veya yanıklara neden olabilir.
- e) **Hasarlı veya üzerinde değişiklik yapılmış bir batarya veya aleti kullanmayın.** Hasarlı veya üzerinde değişiklik yapılmış bataryalar, yangın, patlama ya da yaralanma riskiyle sonuçlanan beklenmedik davranışlar sergileyebilir.
- f) **Batarya veya aleti ateşe veya aşırı sıcaklığa maruz bırakmayın.** Ateşe veya 130 °C üzeri sıcaklıklara maruz kalması patlamaya yol açabilir.

NOT Sıcaklık birimi olarak kullanılan „130 °C“ yerine „265 °F“ kullanılabilir.

- g) **Tüm şarj talimatlarına uygun ve batarya veya aleti talimatlarda belirtilen sıcaklık aralığının dışındaki ortamlarda şarj etmeyin.** Yanlış şekilde veya belirtilen aralığın dışındaki sıcaklıklarda şarj etmek bataryaya zarar verebilir ve yangın riskini artırabilir.

#### 6) Servis

- a) **Elektrikli aletinizin servis işlemlerini, yalnızca aynı yedek parçaları kullanan vasıflı bir tamircinin yapmasını sağlayın.** Bu, elektrikli aletin güvenliğinin korunmasını sağlayacaktır.
- b) **Hasarlı bataryalara asla kendiniz bakım yapmaya çalışmayın.** Bataryadaki bakım işlemleri sadece üretici veya yetkili servisler tarafından yapılmalıdır.

#### ŞARJLI HAVA KOMPRESÖRLERİ İÇİN İLAVE GÜVENLİK UYARILARI

- **Bu cihaz, 8 yaş ve üzeri çocuklar ve cihazın güvenli bir şekilde kullanımıyla ilgili denetim mevcutsa veya talimat verildiyse ve ilgili tehlikeleri anlıyorsa, fiziksel, duyuşsal veya zihinsel yetenekleri azalmış veya deneyim ve bilgi eksikliği olan kişiler tarafından kullanılabilir.**
- **Çocukların cihazla oynamasına izin vermeyin. Eğer gözetim altında değillerse temizlik ve kullanıcı bakımı çocuklar tarafından yapılamaz.**
- Patlama riski - regülatörü işaretli maksimum bağlantı basıncından daha yüksek değere ayarlamayın.
- Yaralanma riski - hava akımını insanlara veya hayvanlara yöneltmeyin.
- Solunum havası sağlamak için kullanmayın.
- Kompresörü çalışır durumdayken uzun süre gözetimsiz bırakmayın. Çalıştıktan sonra kompresörün gücünü kesin.
- Kompresörü iyi havalandırın. Kullanım sırasında kompresörün üzerini örtmeyin.
- Valf kapağını çıkarmayın veya dahili bileşenleri ayarlamayın.
- Kompresörü taşımak için hava hortumunu kullanmayın.
- Üretici tarafından önerilmeyen aksesuarların veya ataşmanların kullanılması yaralanma tehlikesine neden olabilir.
- Hortumlar, boru, konektörler, filtreler vb. dahil olmak üzere tüm hava hattı bileşenleri, hangisi daha büyükse, minimum 160 PSI çalışma basıncı veya maksimum sistem basıncının

%150'si için sınıflandırılmalıdır.

- Kompresör üzerindeki etiketleri ve isim plakalarını muhafaza edin. Bunlar, önemli güvenlik bilgileri taşır.
- Bu ürün, bir oyuncak değildir. Çocukların ulaşamayacağı bir yerde tutun.
- Kullanım sırasında EN onaylı güvenlik gözlükleri ve ağır iş eldivenleri kullanın.
- Yağmura veya suya maruz bırakmayın.
- Kalp pili olan kişiler kullanmadan önce doktorlarına danışmalıdır. Kalp pili yakınında bulunan elektromanyetik alanlar kalp pili girişimi veya kalp pili arızasına neden olabilir.
- Batarya takılıyken aleti gözetimsiz bırakmayın. Aletin yanından ayrılmadan önce aleti kapatın ve Bataryayı çıkartın.
- Çalışma alanı içerisinde, bu cihazın üçüncü taraflarca kullanımından kaynaklı meydana gelen zararlardan kullanıcı sorumludur.
- Cihazı kullanırken asla kendinize veya başkalarına, özellikle gözler ve kulaklara doğru tutmayın. Yaralanma tehlikesi mevcuttur!
- Giysilerinizi kesinlikle basınçlı hava ile temizlemeyin.
- Cihazı çalışırken asla gözetimsiz bırakmayın ve şişirilebilir şeyler için şişirme talimatlarını takip edin.
- Şişirilen nesne patlayabilir ve ciddi yaralanmalara neden olabilir.
- Bu kullanım kılavuzunda belirtilen uyarılar, önlemler ve talimatlar, meydana gelebilecek tüm olası koşulları ve durumları kapsamayabilir. Sağduyu ve dikkatin bu üründe dahili olmayan, ancak operatör tarafından sağlanması gereken faktörler olduğu operatör tarafından anlaşılmalıdır.

## ŞARJLI HAVA KOMPRESÖRÜNÜN KULLANIMI SIRASINDA GÜVENLİK



**DİKKAT:** Cihaza zarar gelmesi ve olası kişisel yaralanmalar nasıl önlenir:

- Araba sürerken cihazı kullanmayın.
- Kullanmadan önce cihazın hasar görüp görmediğini kontrol edin ve sadece iyi durumdaysa kullanın.
- Cihazı yağmurlu veya nemli hava koşullarına maruz bırakmayın ve suyla temas etmesine izin vermeyin. Elektrik çarpma tehlikesi mevcuttur!
- Çalışma sırasında cihazdaki tüm hava giriş yerlerini temiz tutun. Hava giriş yerlerini elleriniz

veya parmaklarınızla kapatmayın ve cihazın üzerini örtmeyin. Aşırı ısınma tehlikesi mevcuttur!

- Cihazı hava sıcaklığının çok yüksek olduğu bir yerde araç içerisinde bırakmayın.
- Cihaz onarılamayacak düzeyde hasar görebilir.
- Cihaz çalışma sırasında ısınır. Sıcak yüzeylere dokunmak yanık riski oluşturur.
- Hava giriş veya çıkış deliklerine kum, toz veya diğer küçük parçacıkların girmesine izin vermeyin.
- Cihazı yanıcı sıvı veya gazların yakınında kullanmayın. Sıcak buharı içine çekmeyin. Bu talimatlara uyulmaması yangın veya patlama riski oluşturur!
- Cihazı kapatın ve bataryayı çıkartın:
  - cihaz kullanılmadığında;
  - cihaz gözetimsiz başıboş kaldığında;
  - temizlik veya bakım sırasında;
  - cihaza yabancı cisimler girerse veya cihazdan normal olmayan sesler geliyorsa.
- Sadece ürünle birlikte verilen ve üretici tarafından önerilen aksesuarları kullanın.
- Cihazı kendiniz tamir etmeye çalışmayın.

## BATARYA İÇİN GÜVENLİK UYARILARI

- Bataryanın içini açmayın.** Kısa devre tehlikesi.
- Bataryayı ısıya, sürekli yoğun güneş ışığına, yangına, suya ve neme karşı koruyun.** Patlama tehlikesi.
- Bataryanın hasar görmesi ve yanlış kullanılması durumunda duman çıkabilir. Bölgeyi havalandırın ve şikayet durumunda tıbbi yardım alın.** Duman solunum sistemini tahriş edebilir.
- Bataryayı sadece Vonroc ürününüzle bağlantılı olarak kullanın.** Bu önlem tek başına bataryayı tehlikeli aşırı yüklenmeye karşı korur.
- Batarya, çivi veya tornavida gibi sivri uçlu nesnelere veya dışarıdan uygulanan kuvvetten ötürü zarar görebilir.** Dahili bir kısa devre oluşabilir ve batarya yanabilir, duman çıkabilir, patlayabilir veya aşırı ısınabilir.

## ŞARJ ALETİ İÇİN GÜVENLİK UYARILARI

### Kullanım amacı

Şarj aleti ile yalnızca CD801AA ve CD803AA tipi Şarj edilebilir bataryaları şarj edin. Diğer pil türleri patlayarak fiziksel yaralanma ve hasara neden olabilir.

- Cihaz, gözetim veya talimat verilmedikleri takdirde kısıtlı düzeyde fiziksel, duyuşsal veya zihinsel becerilere sahip olan veya deneyim ve bilgiden yoksun bulunan kişiler (çocuklar dahil) tarafından kullanılmamalıdır.**

- b) Çocuklar cihazla oynamaları için gözetim altında tutulmalıdır.
- c) Şarj edilebilir olmayan özellikte pilleri şarj etmeyin!
- d) Şarj sırasında piller iyi havalandırılmalı bir bölgeye yerleştirilmelidir!

### KALINTI RISKLERİ

Elektrikli alet belirtildiği gibi kullanıldığında bile tüm kalıntı risk faktörlerini bertaraf etmek mümkün değildir. Elektrikli aletin yapısı ve tasarımı ile bağlantılı olarak aşağıdaki tehlikeler ortaya çıkabilir:

- a) Elektrikli alet uzun bir süredir kullanılıyorsa veya yeterli ölçüde yönetilmiyor ve doğru biçimde bakılmıyorsa vibrasyon emisyonundan kaynaklanan sağlık bozuklukları.
- b) Aniden fırlayan kırık aksesuarlar nedeniyle yaralanmalar ve hasar.



**Uyarı!** Bu elektrikli alet işlem sırasında elektromanyetik alan üretir. Bu alan bazı koşullar altında aktif veya pasif tıbbi implantlarla çakışabilir. Ciddi veya ölümcül yaralanma riskini azaltmak için, tıbbi implant sahibi olan kişilerin bu elektrikli aleti kullanmadan önce doktorlarına ve tıbbi implant üreticisine danışmalarını öneririz.

## 2. MAKİNE BİLGİSİ

### Kullanım amacı

Bu cihaz, lastik (örneğin otomobil, motosiklet ve bisiklet lastikleri), top, hava yatağı ve diğer şişirilebilir ürünleri şişirmek için basınç üretmek amacıyla üretilmiştir. Cihaz ayrıca hava yatakları, şişme botlar ve yüzme havuzu şamandıraları gibi düşük basınçla yüksek hacimli şişirme/havasını söndürme için tasarlanmıştır. Şarjlı kompresör, 20V batarya veya 12V çakmak soketi (araba, karavan, kamyon vb.) ile çalıştırılır. Bu cihaz 10 dakikadan daha uzun sürekliliği için uygun değildir. Başka herhangi bir kullanım, cihaza zarar verebilir ve kullanıcı için ciddi bir tehlike oluşturabilir. Yanlış ve hatalı kullanımdan kaynaklanan hasarlardan üretici sorumlu değildir.

### TEKNİK SPESİFİKASYONLAR





Bu kılavuz farklı takımlar/ürün numaraları için hazırlanmıştır. Takımınızın doğru bileşenleri ve içeriği için aşağıdaki özellikler tablosundaki ilgili ürün numarasına bakın.

Model No.	Batarya dahildir	Şarj cihazları dahildir
CR503DC	-	-
S_CR503DC	CD801AA	CD802AA
S2_CR503DC	2 x CD801AA	CD802AA
S3_CR503DC	CD803AA	CD802AA

Makine bilgisi	
Voltaj batarya	20V
Voltaj Sigara	12V
Araç çakmak fişi	60W
Hava basıncı	Max 160 PSI / 11 bar /1100 Kpa
Yüksek basınç hortumu uzunluğu	790mm
Düşük basınç hortumu uzunluğu	360mm
Çıkış kompresör	Max 12L/min
Çıkış üfleyici	Max 380L/min
Yüksüz hız	
Pompa	17000/min
Boşaltma dan	22000/min
Sürekliliği	max. 10 min*
Ses basınç seviyesi L <sub>PA</sub>	71,2 dB(A), K=3dB(A)
Ses gücü seviyesi L <sub>WA</sub>	82,2 dB(A), K=3dB(A)

Model No.	CD801AA
Pil tipi	Li-Ion
Voltajı	20V
Kapasitesi	2,0 Ah
Önerilen şarj cihazı	CD802AA
Ağırlık	0,3 kg

Model No	CD802AA
Şarj cihazı girişi	220-240V,50Hz 0,4A
Şarj cihazı çıkışı	21V  2,5A
Şarj süresi 2Ah batarya	60 dakika
Şarj süresi 4Ah batarya	120 dakika
Önerilen bataryalar	CD801AA, CD803AA
Ağırlık	0,36 kg

Model No	CD803AA
Pil tipi	Lithium-İyon
Voltajı	20V 
Kapasitesi	4.0 Ah
Önerilen şarj cihazı	CD802AA
Ağırlık	0.65 kg

\* En iyi ve uzun ömürlü kullanım performansı için, cihazı 10 dakikadan daha uzun bir süre kesintisiz kullanmayın; ardından 10 dakika bekleyin.

Sadece aşağıdaki VONROC VPOWER 20V batarya platformuna ait bataryaları kullanın. Başka batarya kullanmak, ciddi yaralanmalara neden olabilir veya alete zarar verebilir.

CD801AA 20V, 2Ah Lityum-İyon  
CD802AA 20V, 4Ah Lityum-İyon

Bu bataryaları şarj etmek için aşağıdaki şarj aleti kullanılabilir.

CD803AA Hızlı şarj aleti

VONROC VPOWER 20V batarya platformuna ait bataryalar, tüm VONROC VPOWER 20V batarya platformu aletleriyle karşılıklı değiştirilebilir.

## AÇIKLAMA

Metindeki numaralar sayfa 2 - 4'teki şemaları işaret etmektedir.

1. Makine
2. Pil
3. Pil kilidini açma düğmesi
4. Çalışma lambası
5. Şarj cihazı
6. Şarj cihazı LED göstergesi
7. Kelepçeleme kolu
8. Yüksek basınç bağlantı valfi
9. Yüksek basınç hortumu

10. Depolama kanalı yüksek basınç hortumu
11. Düşük basınç hortumu
12. Depolama düşük basınç hortumu
13. Şişirme / söndürme için büyük/orta/küçük konektör
14. Ekstra küçük valf adaptörü
15. Top şişirmek için valf adaptörü
16. Dunlop/blitz bisiklet valfleri için valf adaptörü
17. Presta bisiklet valfleri için valf adaptörü
18. Schrader bisiklet valfleri için valf adaptörü
19. Valf adaptörü saklama yeri
20. Mod seçici I / O / II
21. Kontrol paneli + / "PSI/BAR/KPA" / -
22. Şişirme bağlantı makinesi
23. Çıkıntılar
24. Çentikler
25. Hava indirme bağlantı makinesi
26. Düğme çalışma lambası
27. Batarya gösterge düğmesi
28. Ekran
29. 2V Çakmak fişi
30. Çakmak fişi için saklama yeri
31. Pil LED göstergeleri
32. Pil LED göstergeleri düğmesi

## 3. ÇALIŞTIRMA

### İlk kullanım (Şekil A)



*Cihazı tozlu ortamlarda çalıştırmayın. Bunu yapmak yangın tehlikesi oluşturur ve cihaza zarar verebilir.*



*Şişirirken aşırı ısınmayı önlemek için, hava girişi ve havalandırma deliklerinin önünü kapatmayın. Kullanım sırasında daima EN onaylı göz koruması takın.*

Ürünü düz, yanıcı madde içermeyen bir yüzeye koyun. Şişirilecek nesne veya lastiğe bağlı olarak yüksek veya düşük basınç kullanabilirsiniz. Yüksek basınç ayarı en iyi, ön ayar gerektiğinde kullanılır; istenen basıncı önceden ayarlayın ve makine ayarlanan basınçta otomatik olarak durur.

Düşük basınç ayarı en iyi, daha büyük şişirilebilir nesnelerin şişirilmesi ve havasının indirilmesi için kullanılır.

- Lastiklere bağlı olarak bağlantı valfini (8) doğru- dan veya birlikte verilen valf adaptörlerinden biriyle (16, 17, 18) kullanabilirsiniz.
- Toplar için (yüksek basınç) top valf adaptörünü

(15) kullanın.

- Küçük valfli yüksek basınçla şişirilebilir ürünler için ekstra küçük valf adaptörünü (14) kullanın.
- Şişirilebilir nesnelere bağlı olarak Düşük basınç bağlantısını (11) doğrudan veya birlikte verilen hortum adaptörlerinden biriyle (13) kullanabilirsiniz.



*Karşı basınç içeren ürünleri şişirmek için (örneğin kısmen dolu araba lastiği): Yüksek basınç bağlantı valfini (8) lastiğe takmadan önce cihazı çalıştırın.*

Bu ürün sürekli çalışma için uygun değildir. Hava hacmi değil, hava basıncı üretmek için geliştirilmiştir. Aşırı ısınmayı ve cihazın zarar görmesini önlemek için ürünü kesintisiz olarak 10 dakikadan fazla kullanmayın. Daha sonra en az 10 dakika soğumaya bırakın.

Cihaz 3 dakika boyunca kullanılmadığında otomatik olarak uyku moduna geçer. Uyku modundayken LED ışığı kullanılamaz.



*İlk kullanımdan önce batarya şarj edilmelidir.*

### 20V batarya kullanımı için:

#### Bataryanın makineden çıkartılması (Şekil B1)

- Batarya kilit açma düğmesine (3) basın ve bataryayı makineden çıkarın.

#### Bataryanın makineye takılması (Şekil B1)



*Şarj aletine veya makineye takmadan önce bataryanın dış kısmının temiz ve kuru olmasını sağlayın.*

- Bataryayı (2) makinenin tabanına takın.
- Yerine oturana kadar bataryayı daha ileriye itin.



*Makine daha uzun bir süre kullanılmadığında, bataryayı şarj edilmiş durumda saklamak en iyisidir.*



*Cihaz, çalışırken titreşir. Çalışma sırasında, makinelerin daima lastik ayakları üzerine yerleştirildiğinden emin olun.*

#### Batarya şarj durumunun kontrol edilmesi (Şekil B2)

- Batarya şarj durumunu kontrol etmek için, batarya üzerindeki düğmeye (32) kısa süreli

basın.

- Batarya, şarj seviyesini belirten 3 ışığa sahiptir, ne kadar çok ışık yanarsa, bataryada o kadar çok şarj kalmış demektir.
- Işıklar yanmıyorsa batarya boş demektir ve hemen şarj edilmelidir.

#### Bataryanın şarj cihazıyla şarj edilmesi (Şekil B2)

1. Bataryayı (2) makineden çıkartın.
2. Bataryayı (2) baş aşağı konuma çevirin ve Şekil B2'de gösterildiği gibi şarj cihazının (5) üzerine kaydırın.
3. Yuvaya tamamen itilene kadar bataryayı itin.
4. Şarj cihazı fişini bir elektrik çıkışına takın ve bir süre bekleyin. Şarj cihazı (6) üzerindeki LED göstergeleri yanacak ve şarj durumunu gösterecektir.

#### Şarj cihazı, şarj sürecinin durumunu gösteren 2 LED göstergesine (31) sahiptir.

Kırmızı LED Durumu	Yeşil LED Durumu	Şarj Cihazı
Kapalı	Kapalı	Güç yok
Kapalı	Açık	Bekleme modu: - Batarya yerleştirilmemiş veya, - Batarya yerleştirilmiş fakat şarj işlemi sona ermiş
Açık	Kapalı	Batarya şarja devam ediyor

- 2Ah bataryayı tam olarak şarj etmek 60 dakika sürebilir.
- 4Ah bataryayı tam olarak şarj etmek 120 dakika sürebilir.

Batarya tamamen şarj olduktan sonra şarj cihazı fişini prizden çıkarın ve bataryayı şarj cihazından çıkarın.

#### Makineyi açma/kapatma

- Basınç seçiciye (21) basın, ekran ışığı (28) yanacaktır.
- Makine, birkaç dakika içerisinde veya batarya/çakmak fişi çıkarıldığında otomatik olarak kapanacak veya Basınç seçiciyi (21) birkaç saniye basılı tutun ve ekran ışığı (28) kapanacaktır.

**12V çakmak fişi kullanımı için:****Çakmak fişi için saklama konumu (Şekil C)**

Çakmak fişi makinenin altında saklanır.

**Çakmak soketine bağlama (Şekil A)**

Aracınızdaki çakmak soketinin yeterli büyüklükte bir sigortaya sahip olduğunu doğrulayın.

- Çakmak fişini (29) 12V çakmak soketine takın. Bunu nasıl yapacağınızdan emin değilseniz, lütfen otomobil kilavuzuna bakın.

**YÜKSEK BASINÇ, Düşük hacim – LASTİKLER VE TOPLAR – Dügme 'I' (Şekil D1, D2)****Valf adaptörü bulunmayan yüksek basınç bağlantı valfinin takılması**

1. Bağlantı valfini (8); sıkıştırma kolu (7) Şekil D1'de gösterildiği gibi olacak şekilde açın.
2. Açık konumdaki bağlantı valfini (8) şişirilecek nesnenin valfine yerleştirin (gerekirse şişirilecek nesnenin valf kapağını çıkarın).
3. Bağlantı valfini (8) tutun ve kapatın: sıkma kolu (7) bağlantı valfine (8) doğru bastırın.

**Valf adaptörlü yüksek basınç bağlantı valfinin takılması**

*Futbol toplarını fazla şişirmemeye dikkat edin, patlayabilirler.*



*Şişme yataklar, şişme botlar vb. gibi ürünlerin malzeme bileşimi dikkate alındığında, hava basıncı tam olarak belirlenemeyebilir. Bu nedenle, bu tür ürünleri aşırı şişirmemeye dikkat edin, patlayabilirler.*

**Toplar için valf adaptörü ve şişirilebilir nesnelere için ekstra küçük valf adaptörü**

1. Bağlantı valfini (8); sıkıştırma kolu (7) Şekil D1'de gösterildiği gibi olacak şekilde açın.
2. İlgili valf adaptörünü (14, 15) bağlantı valfinden (8) girişe bastırın veya çevirerek takın.
3. Bağlantı valfini (8) kapatarak valf adaptörünü (14, 15) sabitleyin: sıkıştırma kolunu (7), Şekil D2'de gösterildiği gibi bağlantı valfine (8) doğru bastırın.
4. Valf adaptörünü (14, 15) şişirilecek nesnenin valfine takın (gerekirse şişirilecek nesnenin valf kapağını çıkarın).

**Lastikler için valf adaptörü**

1. Valf adaptörünü (16, 17, 18) lastik valfine takın (gerekirse öncelikle lastiğin valf kapağını çıkarın).
2. Bağlantı valfini (8); sıkıştırma kolu (7) Şekil D1'de gösterildiği gibi olacak şekilde açın.
3. Bağlantı valfini (8) valf adaptörüne (16, 17, 18) bastırın.
4. Bağlantı valfini (8) tutun: sıkıştırma kolunu (7), Şekil D2'de gösterildiği gibi bağlantı valfine (8) doğru bastırın.

**Otomatik Kapanma Basıncını Ayarlama (Şekil E)**

1. Gerekli birim görüntülenene kadar farklı basınç birimleri (PSI, BAR, Kpa) arasında geçiş yapmak için kontrol panelindeki basınç seçiciye (21) basın.
2. Ekranda istenen basınç görünene kadar kontrol panelindeki "+" veya "-" düğmesine basın. "+" veya "-" düğmesini basılı tutarak daha hızlı yukarı veya aşağı gidebilir, çözülmüş basınçta "+" veya "-" düğmesini bırakabilirsiniz.

**Not:** 3 saniye sonra ekran yanıp söner ve "0.0" değerine geri döner. Bu normaldir. Ayarlanan basınç hafızaya kaydedilir.

3. Yüksek basıncı başlatmak üzere cihazı değiştirmek için mod seçme düğmesini I/O/II (20) "I" konumuna getirin.
4. Şişirilecek nesne önceden ayarlanan basınç değerine ulaştığında, ünite otomatik olarak kapanacaktır.

**Not:** Gerçek basınç değerinin birkaç saniye sonra düştüğünü fark edebilirsiniz. Bu normaldir.

5. Şişiriciyi herhangi bir zamanda durdurmak istediğinizde, cihazı kapatmak için mod seçiciyi I/O/II (20) 'O' konumuna getirin.

**Not:** Güç düğmesi kapatılırsa, tüm ayarlar kaybolacak ve yeniden girilmesi gerekecektir. Bu, şişirilecek nesnelere AŞIRI ŞİŞİRİLMESİ riskini önleme amaçlı bir güvenlik özelliğidir.

**Not:** Birkaç dakika sonra makine otomatik olarak kapanır. Makineyi çalıştırmak için Basınç seçiciye (21) basın, ekran ışığı (28) yanacaktır.

**Not:** Dunlop valf adaptörünü kullanırken, basınç göstergesi valfin özellikleri nedeniyle doğru bir değer göstermez. Bir lastiği şişirirken, basınç göstergesindeki değeri kullanmayın, bunu yerine lastiğin durumunu kontrol ederek şişirin. Alet, lastik istenen hava basıncına ulaşmadan durursa, basınç değerini ayarlayın ve ardından lastiği tekrar şişirin.

**Not:** Bir lastik yüzme simidini şişirirken, yüzme simidinin basıncı 20 kPa'dan (3 PSI) düşük olduğu için basınç göstergesi doğru bir değer göstermez. Bir lastik yüzme simidini şişirirken, basınç göstergesindeki değeri kullanmayın, bunu yerine lastik yüzme simidinin durumunu kontrol ederek şişirin.

### Şişiriciyi Bir Basınç Göstergesi Olarak Kullanma

**Not:** Bu makinenin ön ayar işlevinde bir bellek modu mevcuttur. Basınç göstergesi işlevini kullanmadan önce lütfen belleği silmek için makineyi kapattığınızdan emin olun.

1. Makineyi çalıştırmak için Basınç seçiciye (21) basın, ekran ışığı (28) yanacaktır.
2. Ölçülecek valfe bağlanacak hortumu tekrar takın.
3. Dijital gösterge, şişirilen nesnenin basıncını gösterecektir.

### Bağlantı valfinin çıkartılması (Şekil D1, D2)

- Valf adaptörü ile veya valf adaptörü olmadan sökme: Bağlantı valfinin (8) sıkıştırma kolunu (7) açın ve şişirilen nesnenin valfinden ve/veya adaptöründen çıkartın.
- Herhangi bir adaptörü çıkartın ve şişirilmiş nesnenin (top, şişirilebilir nesne veya lastikler) valfini kapatın.

**Not:** Bağlantı valfi (8) çıkartılırken şişirilen nesnenin valfinden hava kaçabilir. Bağlantı valfini (8) çok hızlı çıkartmadığınızdan emin olun. Dışarı çıkan havayı telafi etmek için gereken basınca ekstra basınç eklemek gerekebilir.

### Yüksek basınç hortumu ve valf adaptörlerini saklama (Şekil F, G)

- Yüksek basınç hortumu (9), makinenin arkasındaki bir depolama kanalında (10) bulunur. Yüksek basınç hortumunu kanalın içine sarın.
- Valf adaptörleri (14, 15, 16), ünitenin arkasında valf adaptörü muhafazası (19) içinde saklanır.

## DÜŞÜK BASINÇ, YÜKSEK HACİM - ŞİŞME NESNELER - DÜĞME 'II'

### Şişirme

#### Düşük basınç hortumunun kompresöre bağlanması (Şekil H1)

1. Düşük basınç hortumunu (11) muhafazasından (12) çıkartın.
2. Hortumun çentiklerini (24) düşük basınç şişirme bağlantısının (22) çıkıntıları (23) ile hizalayın.
3. Ardından hortumu kaydırın ve sabitlemek için saat yönünün tersine çevirin.
4. Çıkarmak için hortumu saat yönünde çevirin ve kaydırarak çıkartın.

**Not:** Başta hava yatakları olmak üzere birçok şişme nesne, şişirme sırasında hava kaybını önleyen dahili bir kapağa sahiptir. Bu kapak ağızlık tarafından yer değiştirmedikçe şişme nesne şişirilmaz. Bu kapağı çekip çıkarttığınızdan emin olmak için ağızlığı valfe sıkıca bastırın.

**Uyarı:** Patlama Riski. Aşırı hava basıncı, patlama veya yaralanma riskine neden olabilir. Şişirilmiş nesnelere için üreticinin maksimum basınç değerini kontrol edin.

### Bazı valfler için düşük basınçlı hortumdaki standart boyuttan farklı boyuta sahip bir konektöre ihtiyacınız vardır:

- Düşük basınç hortumuna (11) bağlı adaptörü hortumun ucuna yerleştirin.
- Büyük, Orta veya Küçük konektörler (13) arasından seçim yapın.
- Düşük basınç hortumuna (11) takmadan önce bağlantıyı kontrol edin.
- Seçilen konektörü düşük basınç hortumuna iterek takın.

### Havasını indirme

#### Düşük basınç hortumunun kompresöre bağlanması (Şekil H2)

1. Düşük basınç hortumunu (11) muhafazasından (12) çıkartın.
2. Hortumu havasını indirme bağlantısına (25) itin.
3. Hortumu doğru adaptörü kullanarak havası indirilen nesneye takın.

### Otomatik Kapanma Basıncını Ayarlama

Düşük basınç modunun kullanımı sırasında Otomatik kapanma basıncı kullanmak mümkün değildir.



**Çalışma lambası (4) (Şekil E)**

**Not:**Batarya alete monte edilmiş veya 12V çakmak fişi takılı konumda olduğunda ve alet uyku durumundayken LED'ler yanmaz.

- Makineyi çalıştırmak için, Basınç seçiciye (21) basın, ekran ışığı (28) yanar.
- Çalışma lambası düğmesine (26) basarak lambayı açın.
- Çalışma lambası düğmesine (26) basarak lambayı kapatın.

**4. BAKIM**

*Temizlik ve bakımdan önce her zaman makineyi kapatın ve pil takımını makineden çıkarın.*

Makine kaplamalarını yumuşak bir bezle, tercihen her kullanımdan sonra düzenli olarak temizleyin. Havalandırma deliklerinin toz ve kirden arınmış olduğundan emin olun. Çok inatçı kirleri sabun köpüğüyle ıslatılmış yumuşak bir bezle çıkarın. Benzin, alkol, amonyak vs. gibi çözücü maddeleri kullanmayın. Bunlar gibi kimyasallar sentetik bileşenlere zarar verecektir.

**ÇEVRE**

*Arızalı ve/veya atılmış elektrikli veya elektronik ekipmanların uygun geri dönüşüm konumlarında toplanması gerekir.*

**Yalnızca AT ülkeleri için**

Elektrikli aletleri evsel atık olarak atmayın. Atık Elektrikli ve Elektronik Donanım için Avrupa ülkeleri 2012/19/EU'ya ve bunun yerel hukuk çerçevesinde uygulamasına göre, artık kullanılamaz olan elektrikli aletler ayrı olarak toplanmalı ve çevre dostu bir yolla imha edilmelidir.

**GARANTİ**

VONROC ürünleri yüksek kalite standartları doğrultusunda geliştirilmiştir ve ilk satın alımdan itibaren kanunen belirlenen süre boyunca materyal ve işçilik açısından kusursuz olacağı garanti edilmektedir. Bu süre zarfında, kusurlu materyal ve/veya işçilikten dolayı üründe herhangi bir arıza meydana gelmesi durumunda, doğrudan VONROC iletişim kurun.

Takip eden durumlar bu garanti kapsamı dışındadır:

- Yetkisiz servis merkezleri tarafından yapılan veya yapılmaya teşebbüs edilen onarım ve/veya değişiklikler.
- Normal aşınma ve eskime.
- Cihazın kötü ve yanlış kullanılması veya cihaza yanlış bakım yapılması.
- Orijinal olmayan yedek parçaların kullanılması

Bu, şirket tarafından açık ya da zımni verilmiş tek garantiyi oluşturur. Belirli bir amaç için ticarete elverişlilik ve uygunluğun zımni garantileri dahil dış görünüşünün ötesine uzanan açık veya zımni başka hiçbir garanti yoktur. VONROC herhangi bir arıza veya dolaylı zarardan hiçbir halükarda sorumlu olmayacaktır. Bayilerin getireceği çözümler uygunsuz birimlerin veya parçaların onarımı veya değiştirilmesiyle sınırlı olacaktır.

**Ürün ve kullanıcı kılavuzu değişikliğe tabidir.**

**Spesifikasyonlar başka bir uyarı olmaksızın değiştirilebilir.**



**DECLARATION OF CONFORMITY**  
**CR503DC / S\_CR503DC / S2\_CR503DC / S3\_CR503DC - CORDLESS COMPRESSOR 20V**

- (EN) We declare under our sole responsibility that this product is in conformity with directive 2011/65/EU of the European parliament and of the council of 8 June on the restriction of the use of certain hazardous substances in electrical and electronic equipment is in conformity and accordance with the following standards and regulations:
- (DE) Der Hersteller erklärt eigenverantwortlich, dass dieses Produkt der Direktive 2011/65/ EU des Europäischen Parlaments und des Rats vom 8. Juni 2011 über die Einschränkung der Anwendung von bestimmten gefährlichen Stoffen in elektrischen und elektronischen Geräten entspricht, den folgenden Standards und Vorschriften entspricht:
- (NL) Wij verklaren onder onze volledige verantwoordelijkheid dat dit product voldoet aan de conform Richtlijn 2011/65/EU van het Europees Parlement en de Raad van 8 juni 2011 betreffende beperking van het gebruik van bepaalde gevaarlijke stoffen in elektrische en elektronische apparatuur en in overeenstemming is met de volgende standaarden en reguleringen:
- (FR) Nous déclarons sous notre seule responsabilité que ce produit est conforme aux standards et directives suivants: est conforme à la Directive 2011/65/EU du Parlement Européen et du Conseil du 8 juin 2011 concernant la limitation d'usage de certaines substances dangereuses dans l'équipement électrique et électronique.
- (ES) Declaramos bajo nuestra exclusiva responsabilidad que este producto cumple con las siguientes normas y estándares de funcionamiento: se encuentra conforme con la Directiva 2011/65/UE del Parlamento Europeo y del Consejo de 8 de junio de 2011 sobre la restricción del uso de determinadas sustancias peligrosas en los equipos eléctricos y electrónicos.
- (IT) Dichiariamo, sotto la nostra responsabilità, che questo prodotto è conforme alle normative e ai regolamenti seguenti: è conforme alla Direttiva 2011/65/UE del Parlamento Europeo e del Consiglio dell'8 giugno 2011 sulla limitazione dell'uso di determinate sostanze pericolose nelle apparecchiature elettriche ed elettroniche.
- (PL) Deklarujemy na własną odpowiedzialność, że ten produkt spełnia wymogi zawarte w następujących normach i przepisach: jest zgodny z Dyrektywą 2011/65/UE Parlamentu Europejskiego i Rady z dnia 8 czerwca 2011 r. w sprawie ograniczenia stosowania niektórych niebezpiecznych substancji w sprzęcie elektrycznym i elektronicznym.
- (TR) Tek sorumlusu biz olmak üzere bu ürünün Avrupa Parlamentosunun 2011/65/EU ve 8 Haziran 2011 tarihli konseyin elektrikli ve elektronik ekipmanlarda belirlenmiş tehlikeli malzeme kullanımının kısıtlanması hakkındaki talimatları ile birlikte aşağıda belirtilen standart ve yönergelere uygun ve uyumlu olduğunu beyan ederiz:

**EN 55014-1, EN 55014-2, EN 61000-3-2, EN 610003-3-3, EN 1012-1, EN 60335-1, EN 60335-2-29**  
**EN 62233, 2014/30/EU, 2006/42/EC, 2011/65/EU, 2012/19/EU, 2014/35/EU**

Zwolle, 01-09-2020

H.G.F Rosberg  
CEO

**VONROC - Lingenstraat 6 - 8028 PM Zwolle - The Netherlands**



**VONROC®**  
BUILD YOUR FUTURE

©2020 VONROC  
[WWW.VONROC.COM](http://WWW.VONROC.COM)

2009-03