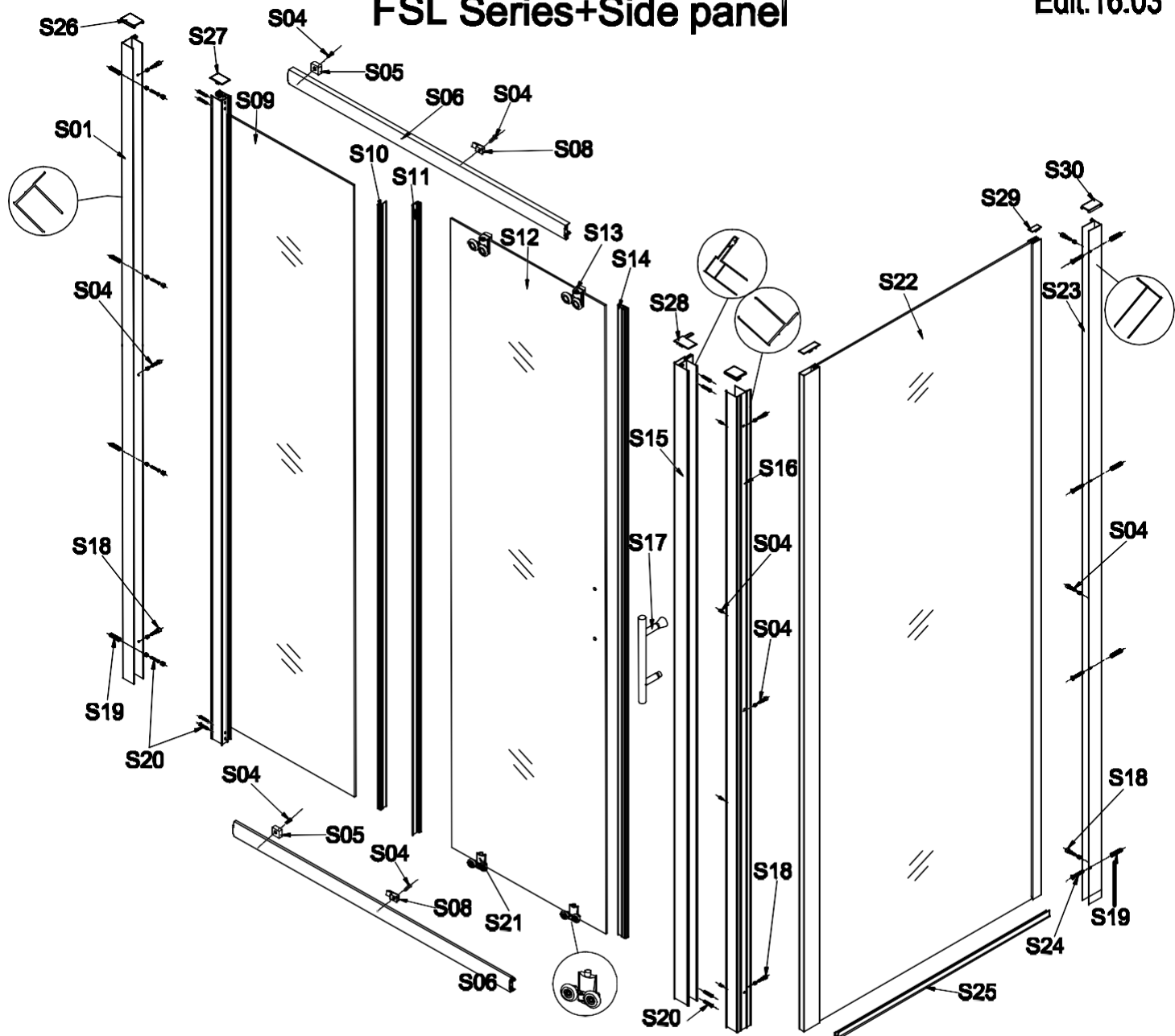
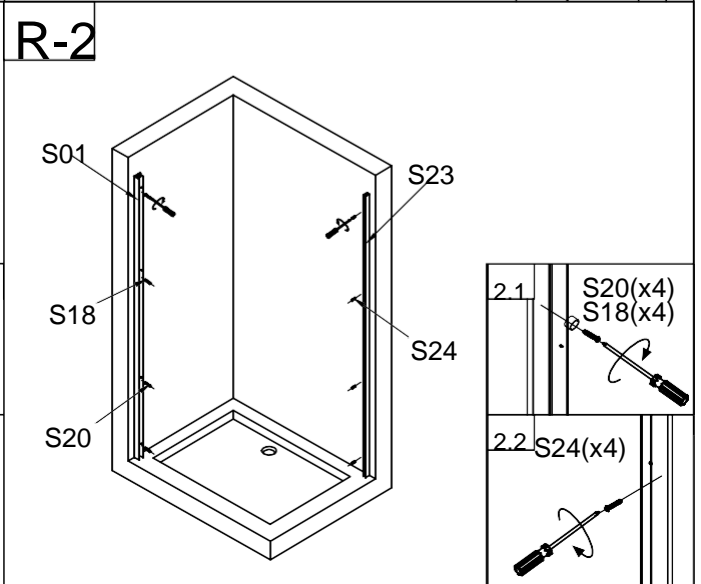
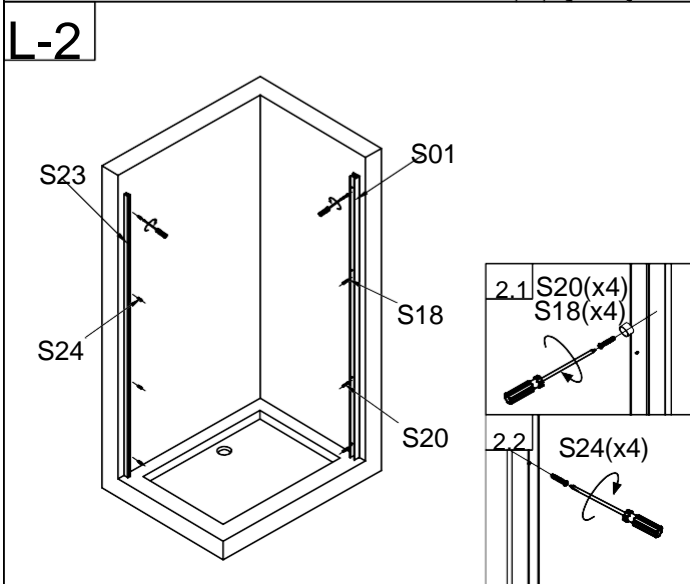
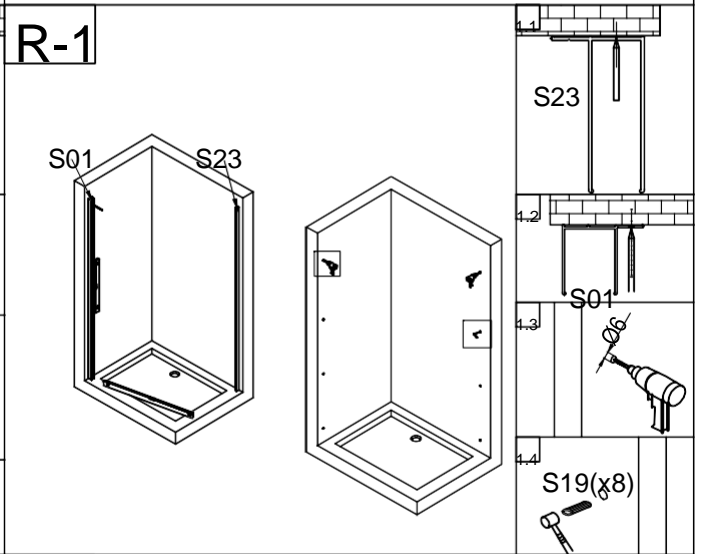
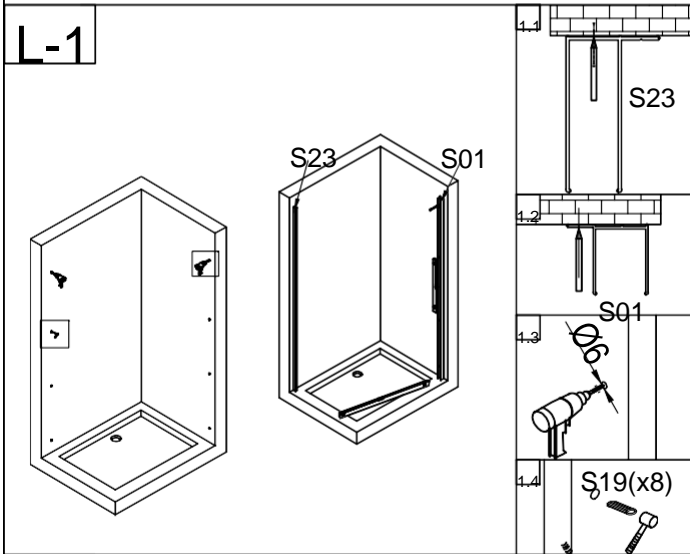
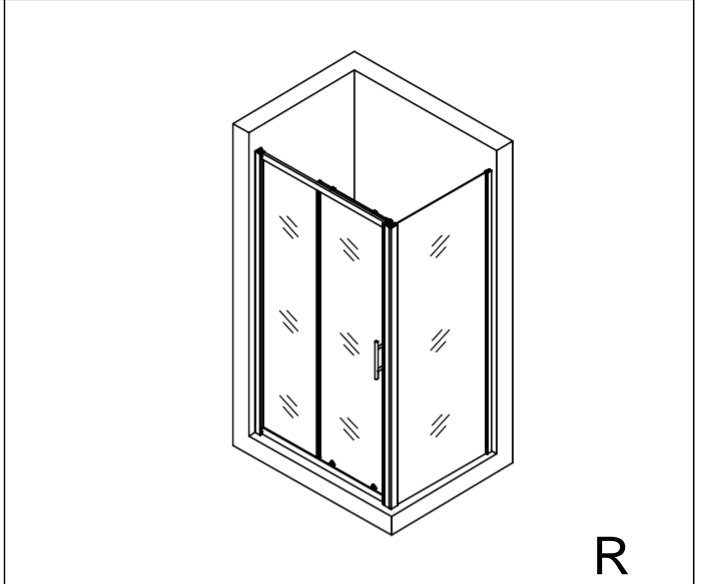
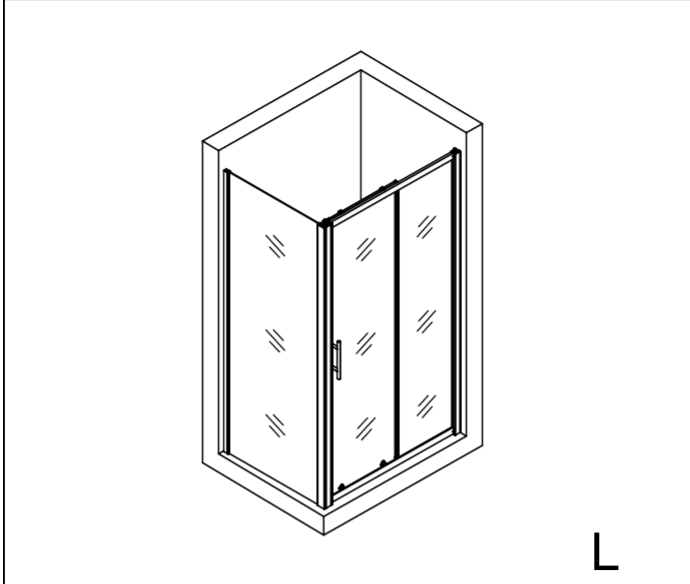
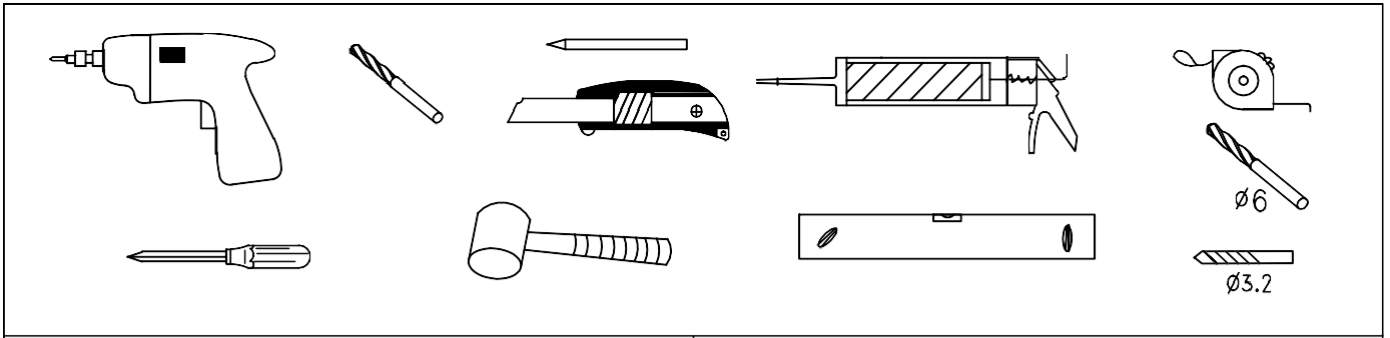


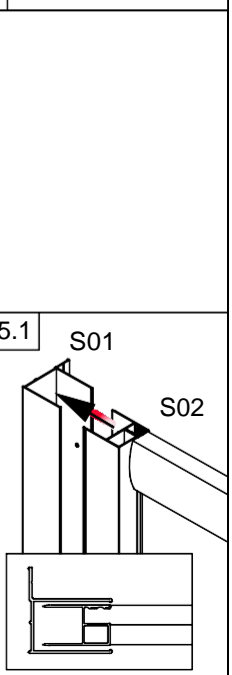
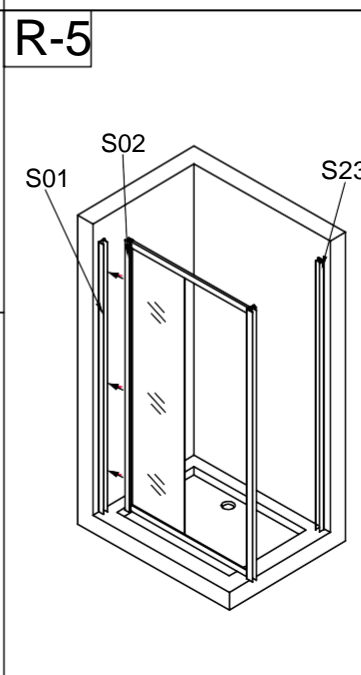
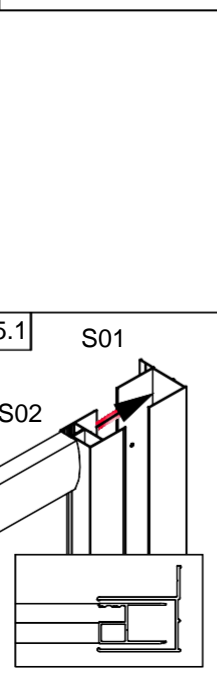
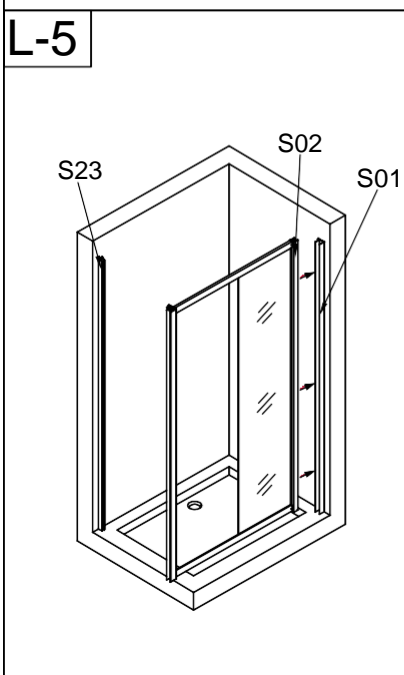
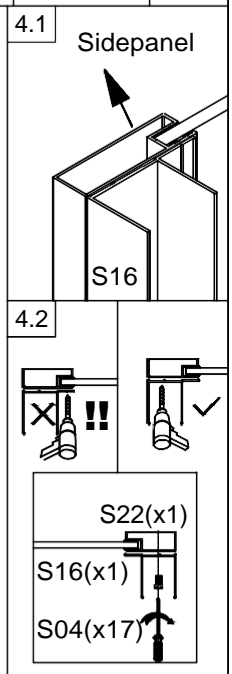
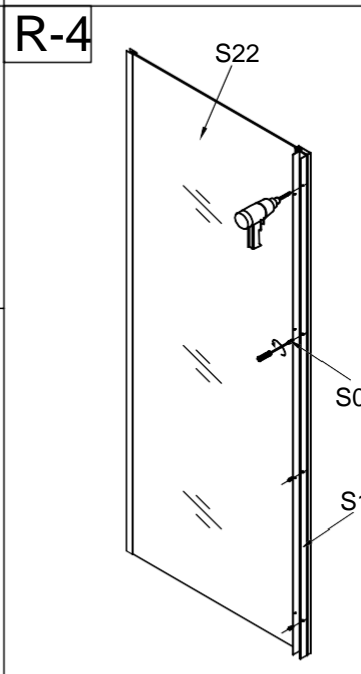
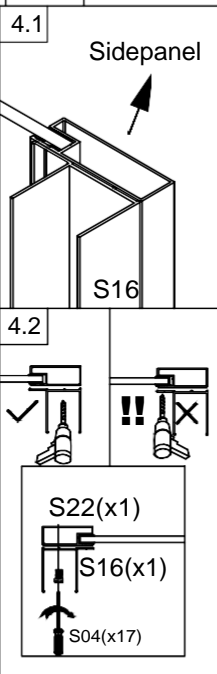
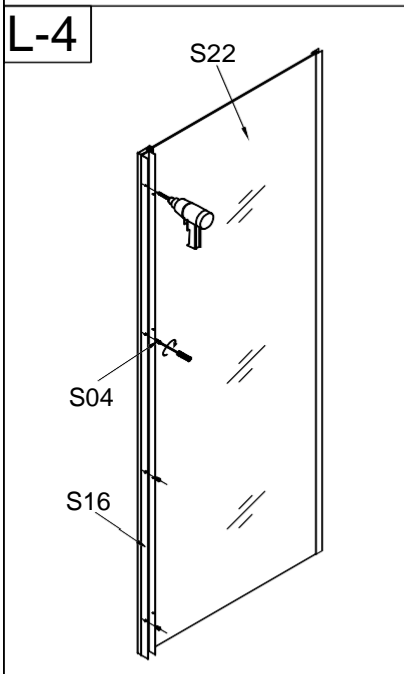
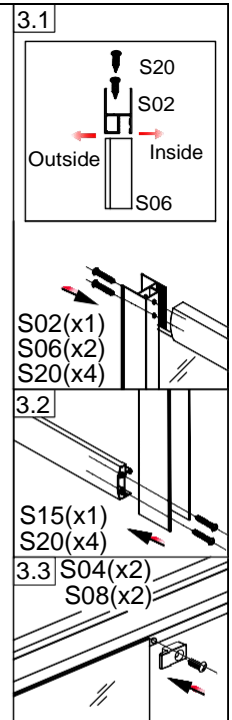
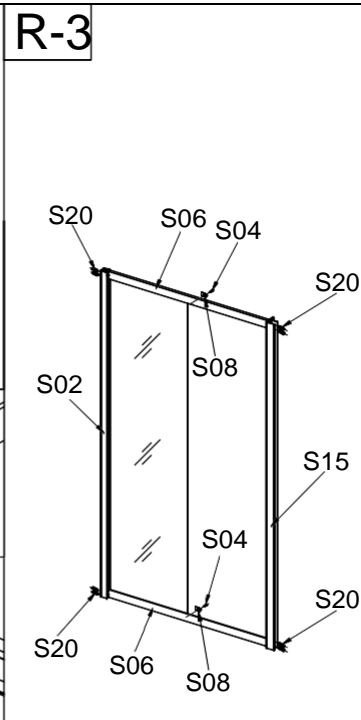
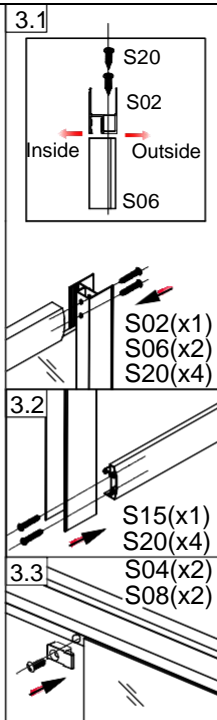
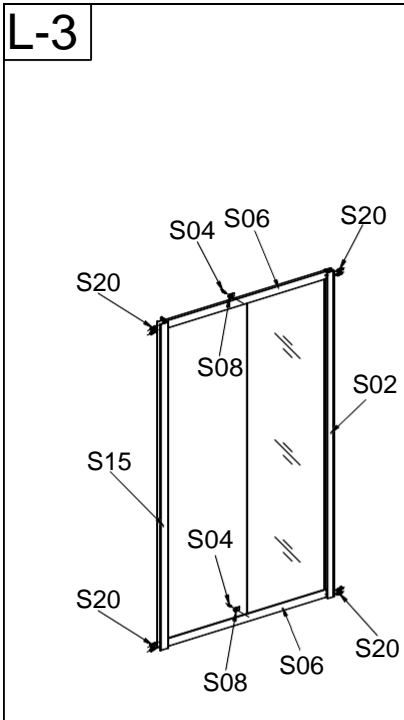
FSL Series+Side panel

Edit:16.03

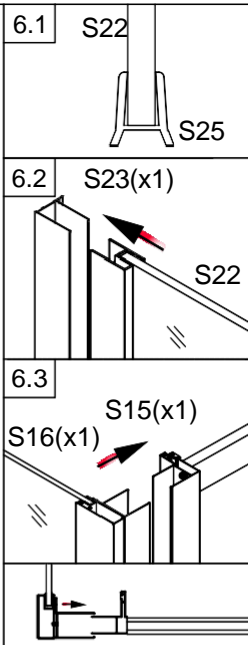
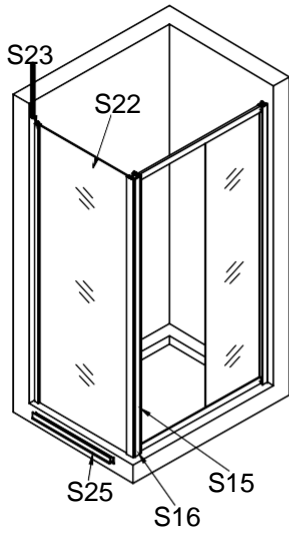


S01 The holes on here x1	S04 10 17 ST4 x17	S05 x2	S06 x2	S08 x2	S10 L=1766 x1	S11 L=1833 x1
S13 x2	S14 x1	S15 x1	S16 The holes in the middle x1	S17 x1	S18 x13	S19 x8
S20 30 12 ST4 x12	S21 x2	S23 x1	S24 30 12 ST4 x4	S25 x1	S26 x2	
S27 x1	S28 x2	S29 x1	S30 x2			

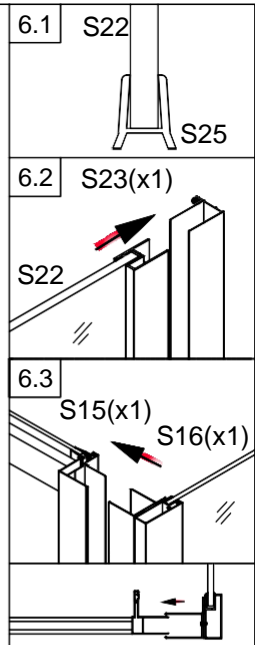
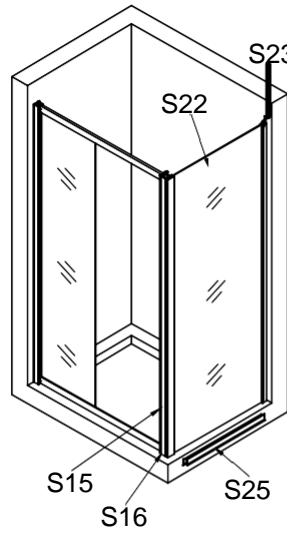




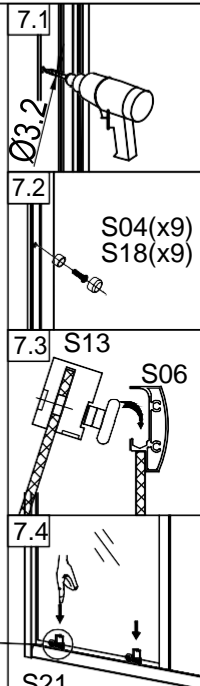
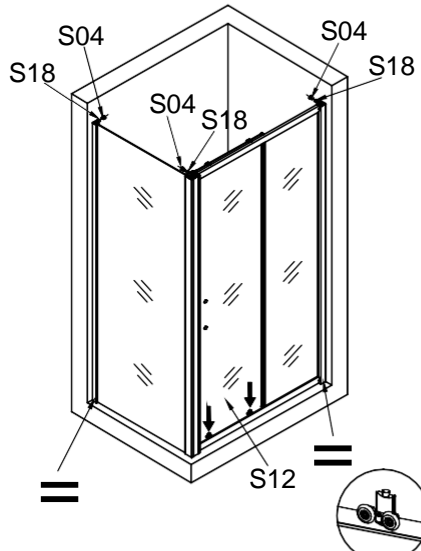
L-6



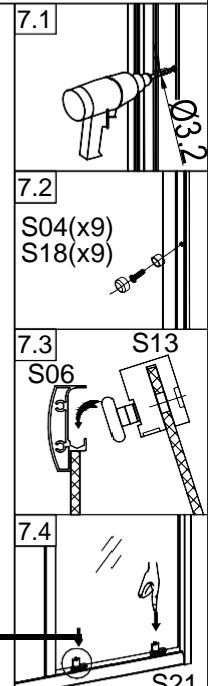
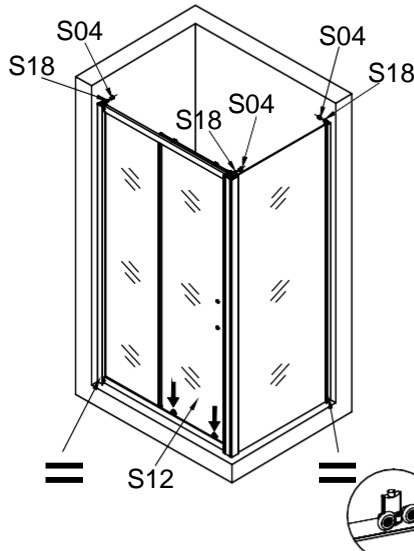
R-6



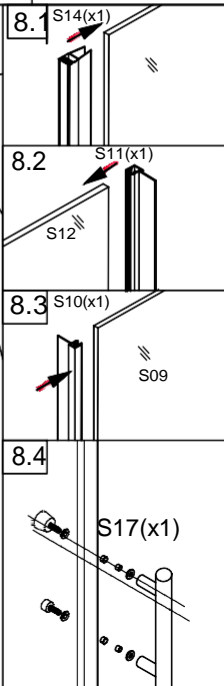
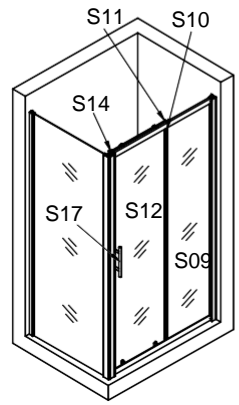
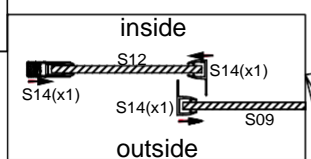
L-7



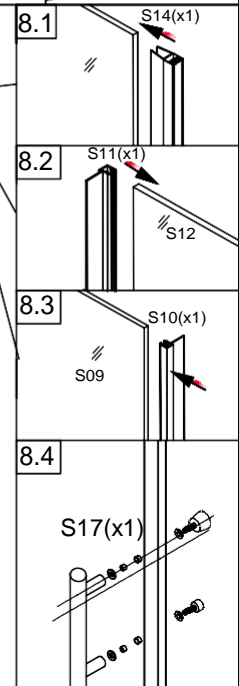
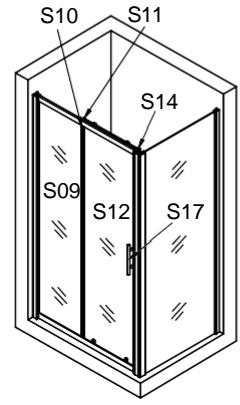
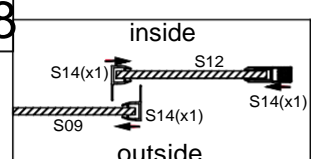
R-7



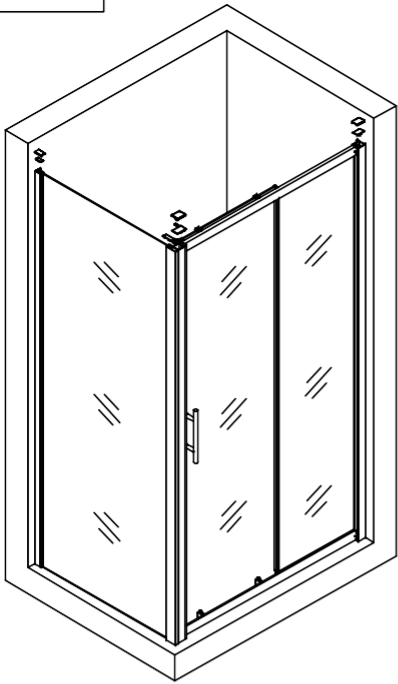
L-8



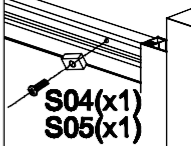
R-8



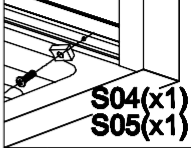
L-9



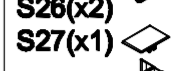
9.1



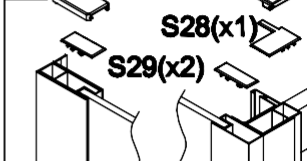
9.2



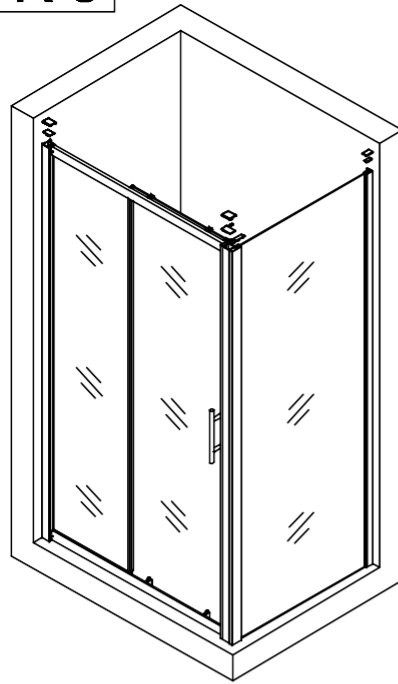
9.3



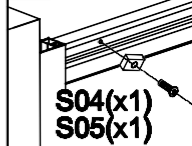
9.4



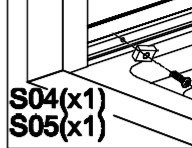
R-9



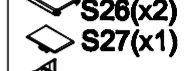
9.1



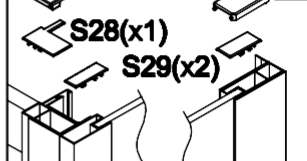
9.2



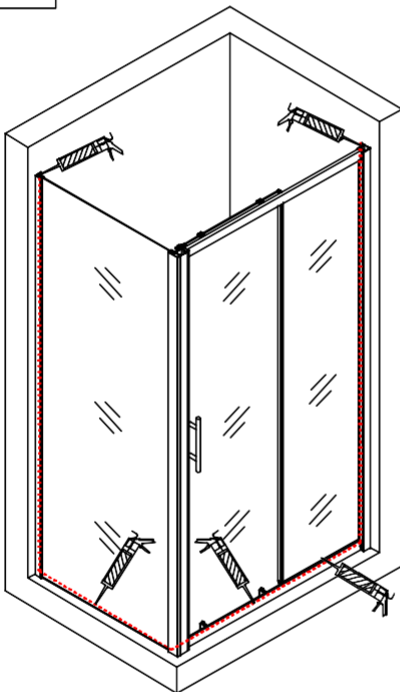
9.3



9.4



L-10



R-10

