

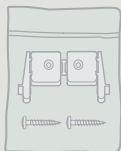
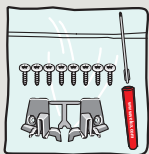
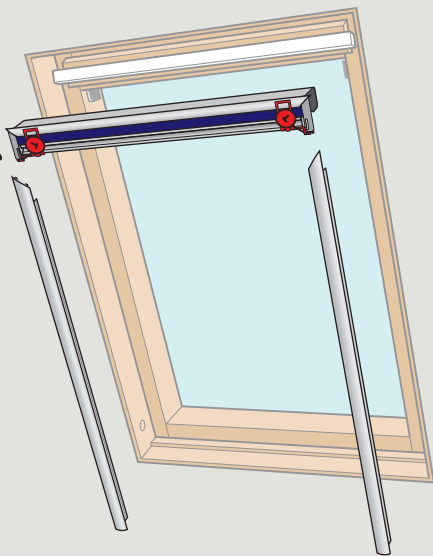
**VELUX®**

---

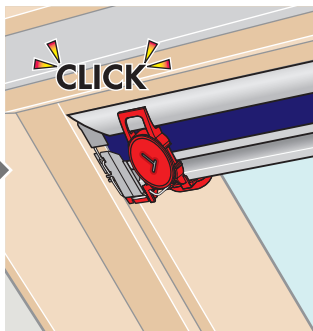
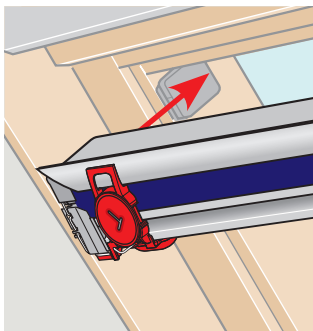
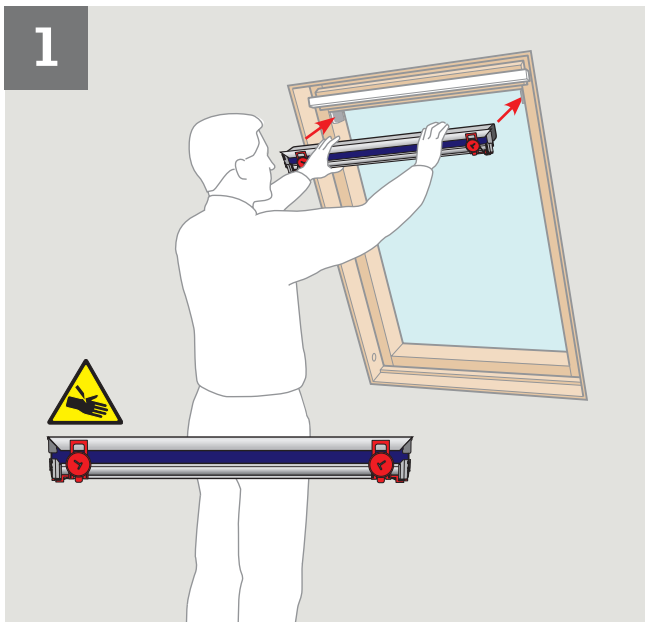
**DKL**



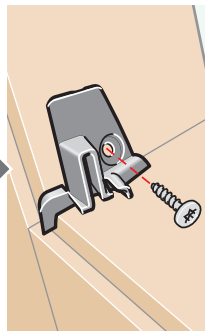
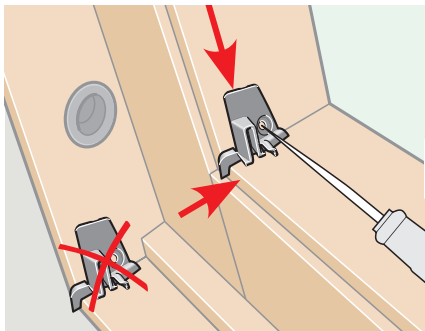
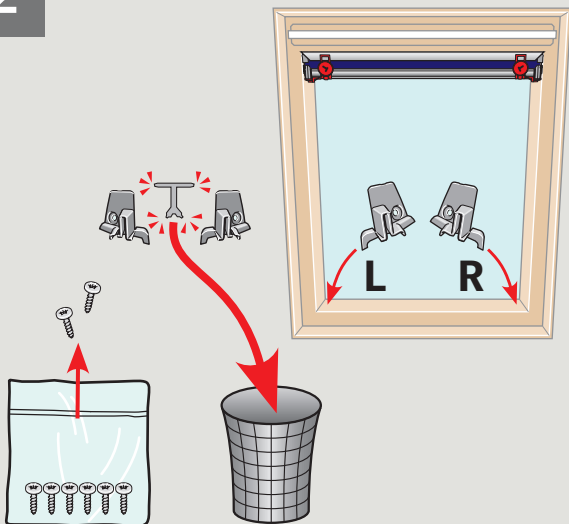
VAS 451821-2013-09



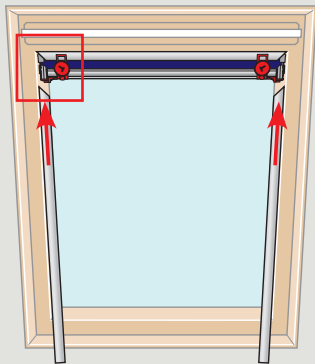
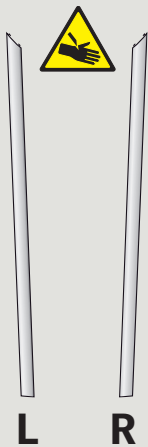
1

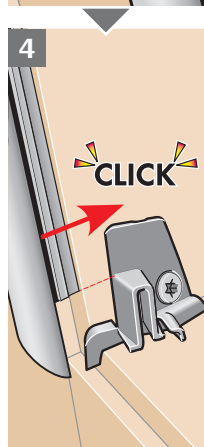
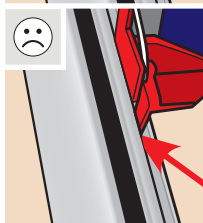
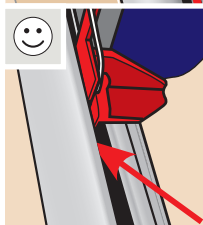
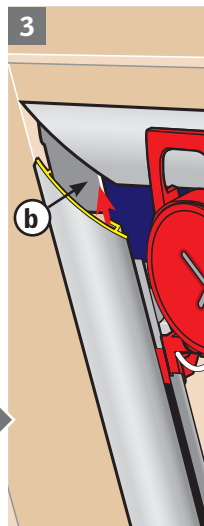
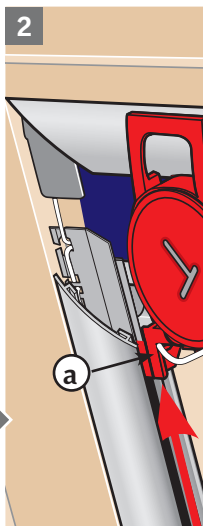
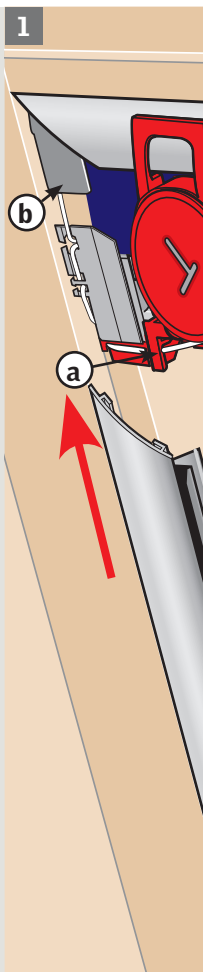


2

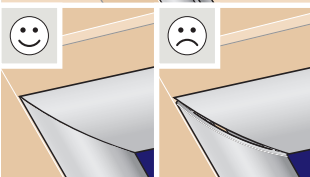
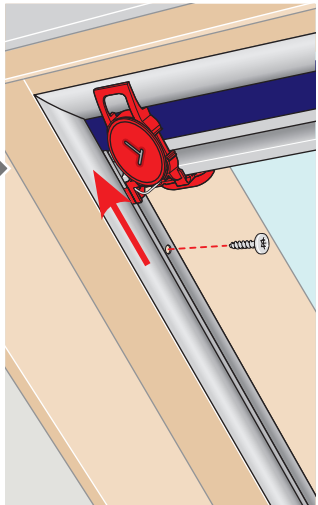
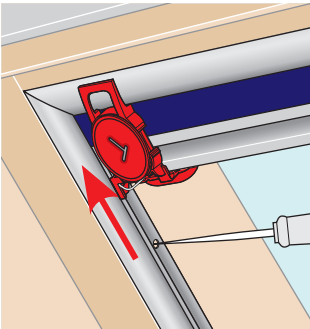
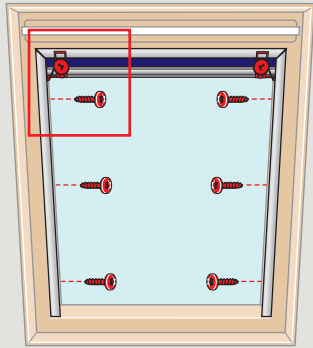
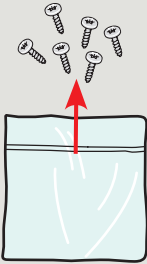


3

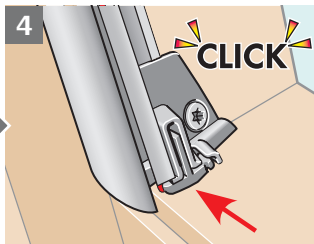
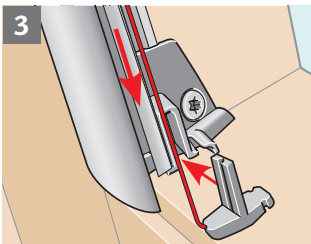
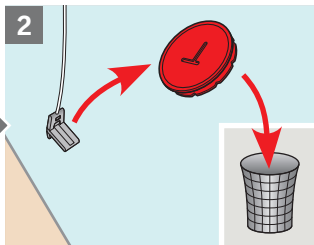
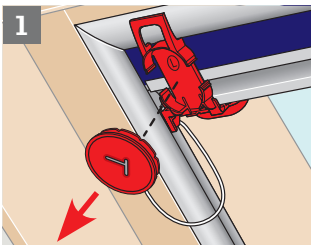
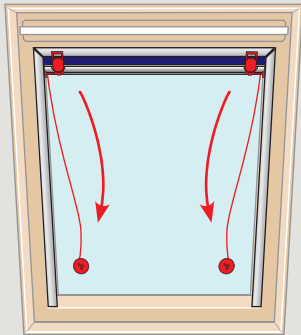




4

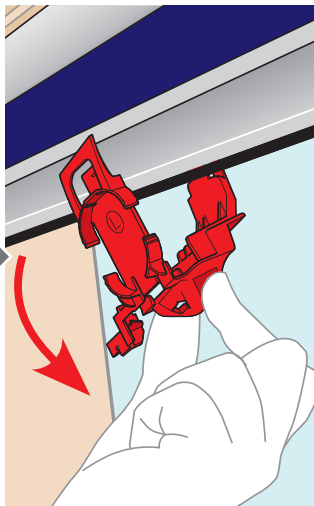
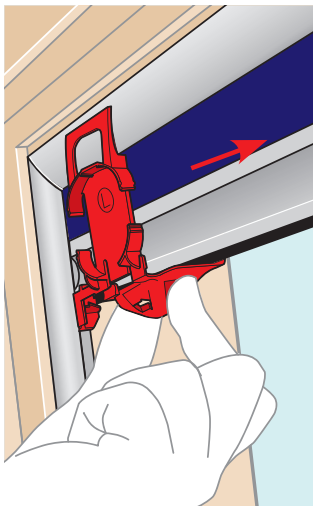
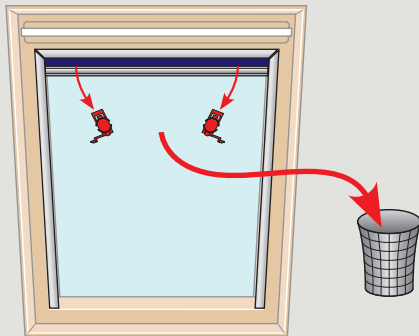


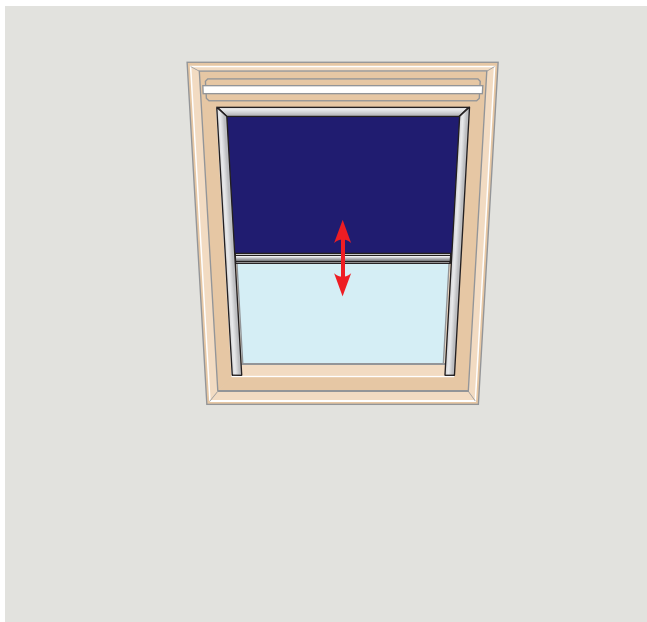
5





6







|            |   |            |   |
|------------|---|------------|---|
| <b>AR:</b> | <b>VELUX Argentina S.A.</b><br>348 4 639944   | <b>HU:</b> | <b>VELUX Magyarország Kft.</b><br>(06/1) 436-0601                           |
| <b>AT:</b> | <b>VELUX Österreich GmbH</b><br>02245/32 3 50   | <b>IE:</b> | <b>VELUX Company Ltd.</b><br>01 848 8775                                    |
| <b>AU:</b> | <b>VELUX Australia Pty. Ltd.</b><br>1300 859 856  | <b>IT:</b> | <b>VELUX Italia s.p.a.</b><br>045/6173666                                   |
| <b>BA:</b> | <b>VELUX Bosna i Hercegovina d.o.o.</b><br>033/626 493, 626 494   | <b>JP:</b> | <b>VELUX-Japan Ltd.</b><br>0570-00-8145                                     |
| <b>BE:</b> | <b>VELUX Belgium</b><br>(010) 42.09.09  | <b>LT:</b> | <b>VELUX Lietuva, UAB</b><br>(85) 270 91 01                                 |
| <b>BG:</b> | <b>VELUX Bulgaria EOOD</b><br>02/955 99 30  | <b>LV:</b> | <b>VELUX Latvia SIA</b><br>67 27 77 33                                      |
| <b>BY:</b> | <b>FE VELUX Roof Windows</b><br>(017) 217 7385  | <b>NL:</b> | <b>VELUX Nederland B.V.</b><br>030 - 6 629 629                              |
| <b>CA:</b> | <b>VELUX Canada Inc.</b><br>1 800 88-VELUX (888-3589)   | <b>NO:</b> | <b>VELUX Norge AS</b><br>22 51 06 00  |
| <b>CH:</b> | <b>VELUX Schweiz AG</b><br>0848 945 549   | <b>NZ:</b> | <b>VELUX New Zealand Ltd.</b><br>0800 650 445                               |
| <b>CL:</b> | <b>VELUX Chile Limitada</b><br>2 953 6789   | <b>PL:</b> | <b>VELUX Polska Sp. z o.o.</b><br>(022) 33 77 000 / 33 77 070               |
| <b>CN:</b> | <b>VELUX (CHINA) CO. LTD.</b><br>0316-607 27 27   | <b>PT:</b> | <b>VELUX Portugal, Lda</b><br>21 880 00 60                                  |
| <b>CZ:</b> | <b>VELUX Česká republika, s.r.o.</b><br>531 015 511   | <b>RO:</b> | <b>VELUX România S.R.L.</b><br>0-8008-83589                                 |
| <b>DE:</b> | <b>VELUX Deutschland GmbH</b><br>01806 / 33 33 99<br>Festnetz: 0,20 €/Anruf<br>Mobilfunk: max. 0,60 €/Anruf | <b>RS:</b> | <b>VELUX Srbija d.o.o.</b><br>011 20 57 500                                 |
| <b>DK:</b> | <b>VELUX Danmark A/S</b><br>45 16 45 16   | <b>RU:</b> | <b>ZAO VELUX</b><br>(495) 737 75 20   |
| <b>EE:</b> | <b>VELUX Eesti OÜ</b><br>621 7790   | <b>SE:</b> | <b>VELUX Svenska AB</b><br>042/20 83 80                                     |
| <b>ES:</b> | <b>VELUX Spain, S.A.</b><br>91 509 71 00  | <b>SI:</b> | <b>VELUX Slovenija d.o.o.</b><br>01 724 68 68                               |
| <b>FI:</b> | <b>VELUX Suomi Oy</b><br>0207 290 800   | <b>SK:</b> | <b>VELUX Slovensko, s.r.o.</b><br>(02) 33 000 555                           |
| <b>FR:</b> | <b>VELUX France</b><br>0821 02 15 15<br>0,119€ TTC/min  | <b>TR:</b> | <b>VELUX Çatı Pencereleri</b><br>Ticaret Limited Şirketi<br>0 216 302 54 10 |
| <b>GB:</b> | <b>VELUX Company Ltd.</b><br>01592 778 225  | <b>UA:</b> | <b>VELUX Ukraina TOV</b><br>(044) 2916070                                   |
| <b>HR:</b> | <b>VELUX Hrvatska d.o.o.</b><br>01/5555 444   | <b>US:</b> | <b>VELUX America Inc.</b><br>1-800-88-VELUX                                 |