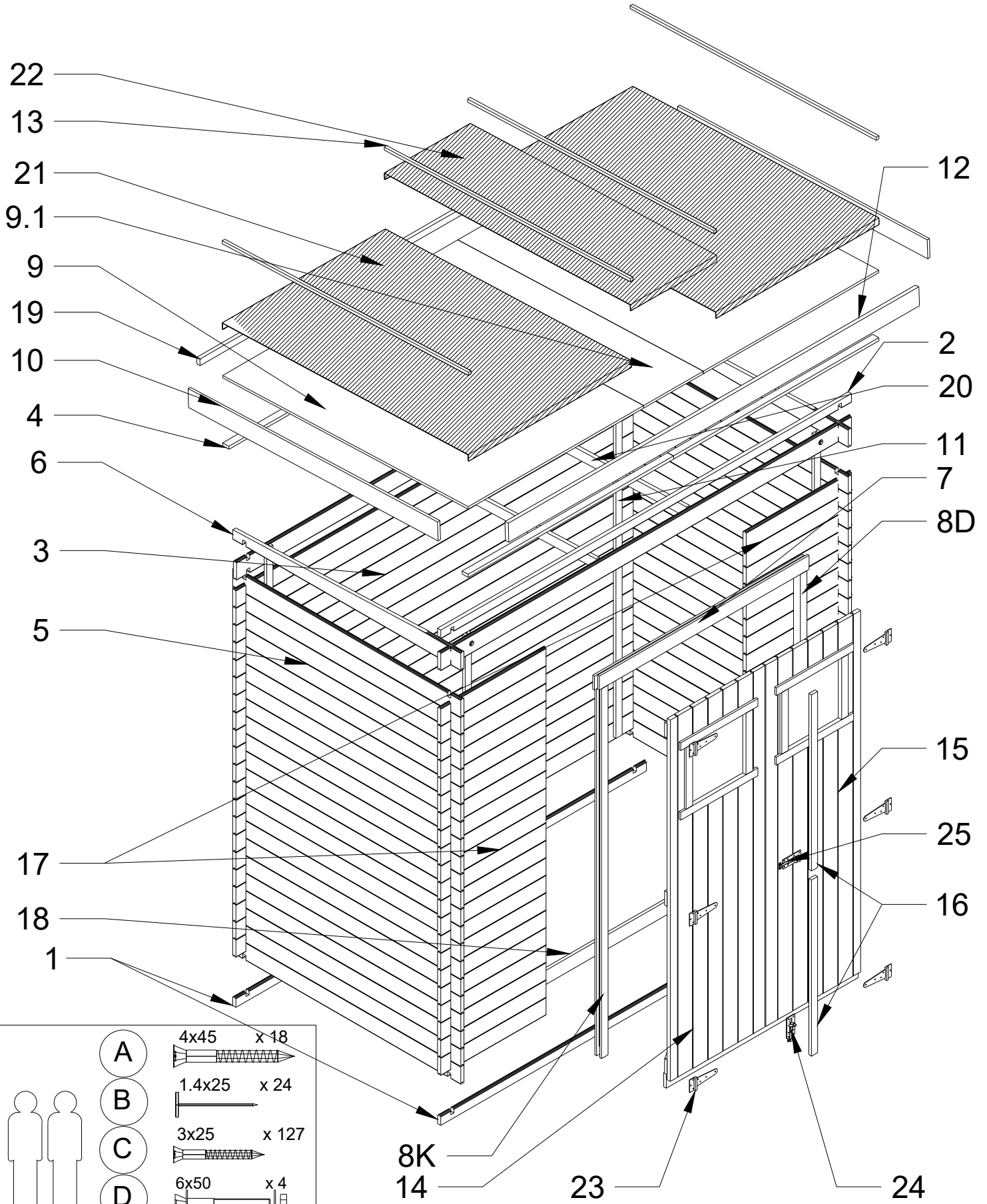
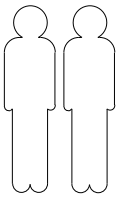


# M311



- |          |        |       |
|----------|--------|-------|
| <b>A</b> | 4x45   | x 18  |
| <b>B</b> | 1.4x25 | x 24  |
| <b>C</b> | 3x25   | x 127 |
| <b>D</b> | 6x50   | x 4   |
| <b>E</b> | 3x20   | x 26  |



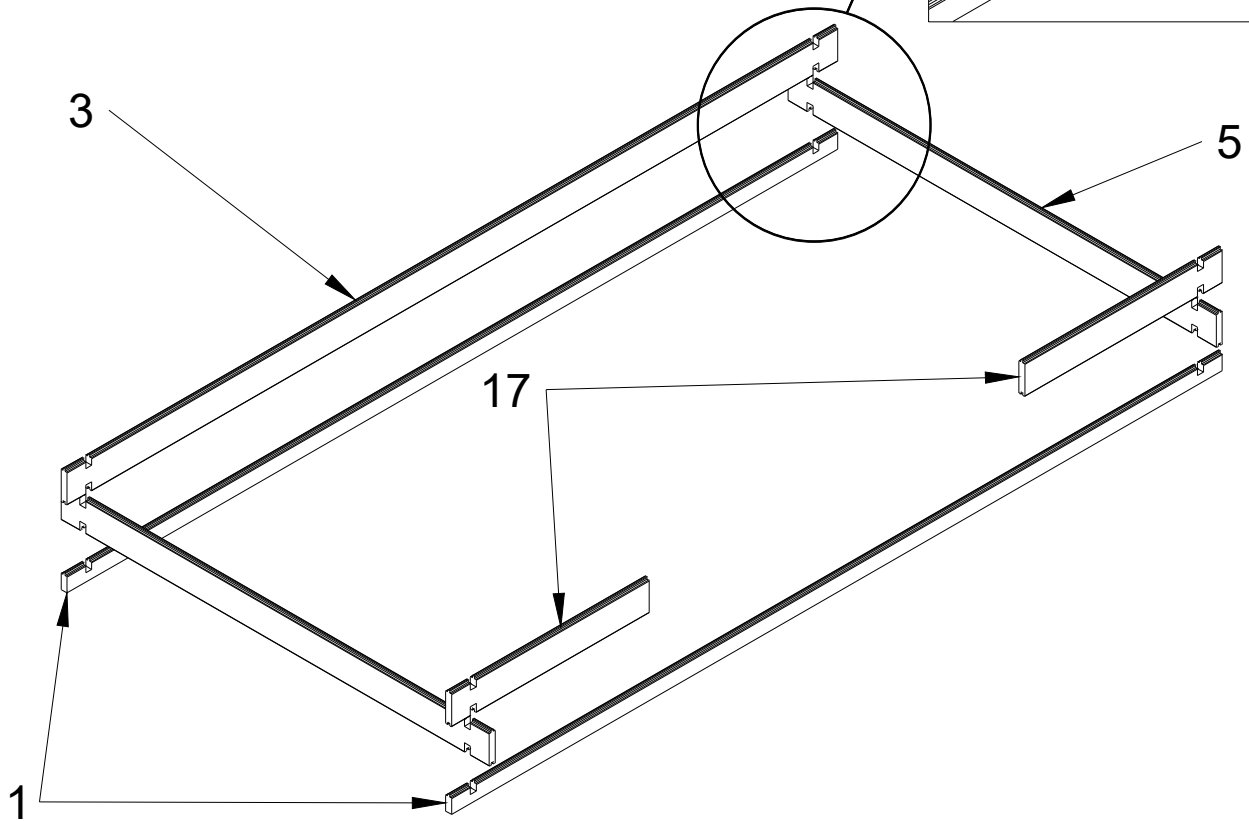
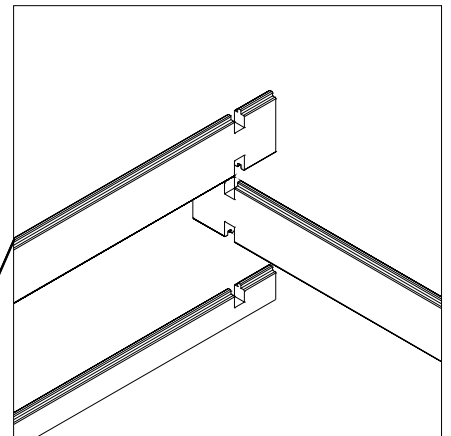
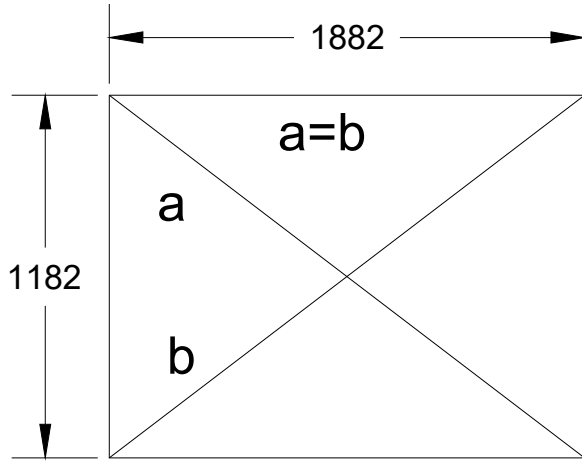
8K  
14

23

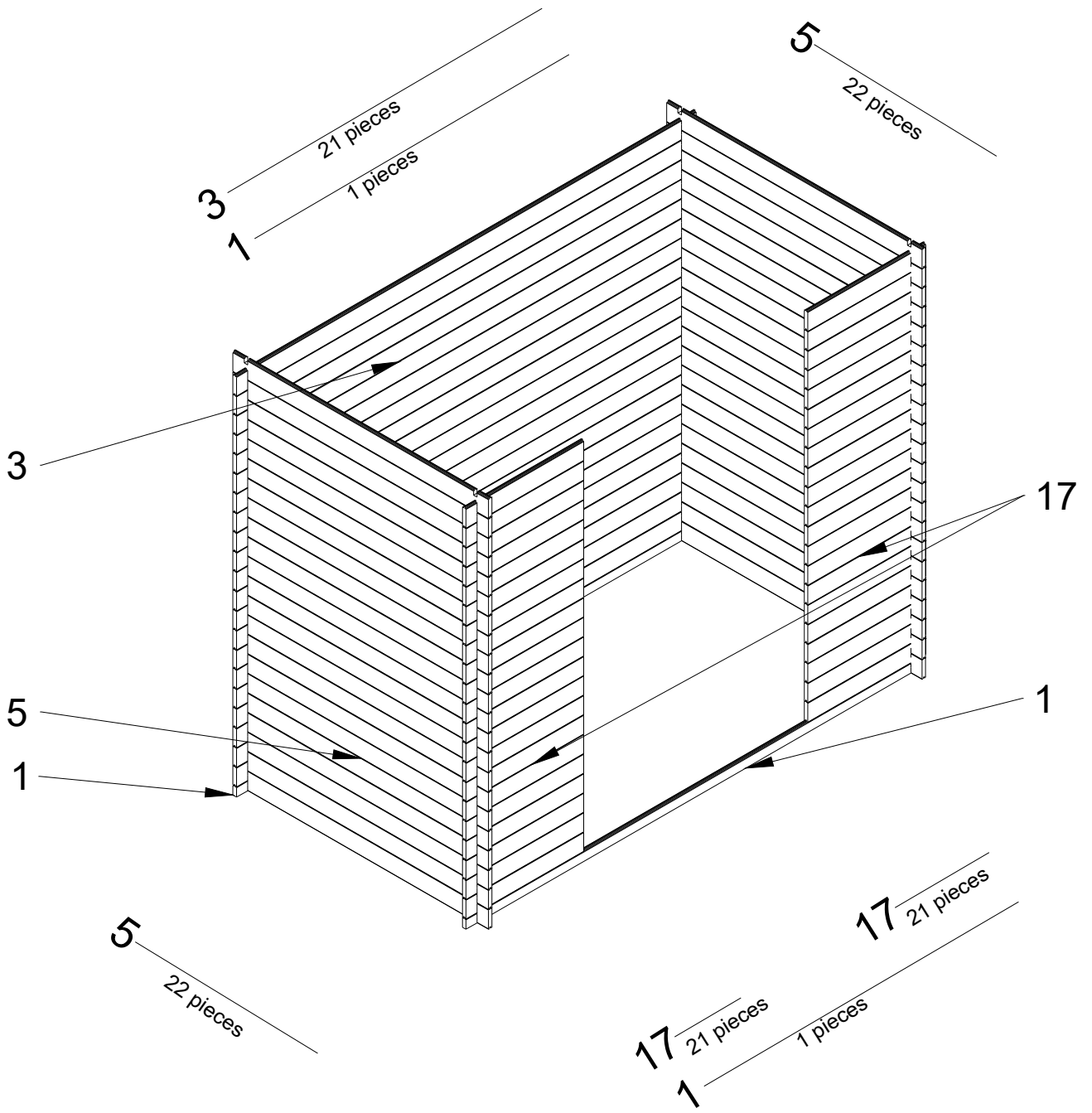
24

№		PCS	mm		
1		2	19	52	2000
2		1	19	46	2000
3		23	19	92	2000
4		4	OSB	35	1000
5		44	19	92	1300
6		2	19	92	1300
7		1	48	84	1290
8K		1	38	38	1842
8D		1	38	38	1842
9		2	OSB	800	1400
9.1		1	OSB	400	1400
10		2	13	92	1413
11		4	15	35	1800
12		1	13	92	2000
13		4	15	35	1350
14		1		585	1760
15		1		585	1760
16		2	15	35	855
17		42	19	92	384
18		1	15	69	1180
19		3	15	35	666
20		2	18	50	1147
21		2		1000	1500
22		1		500	1500
23		6			
24		3			
25		1			

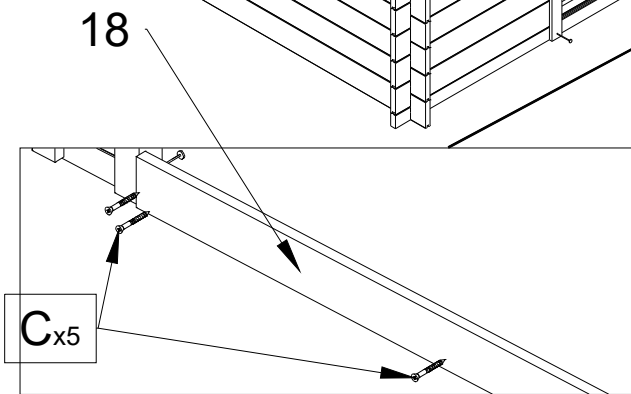
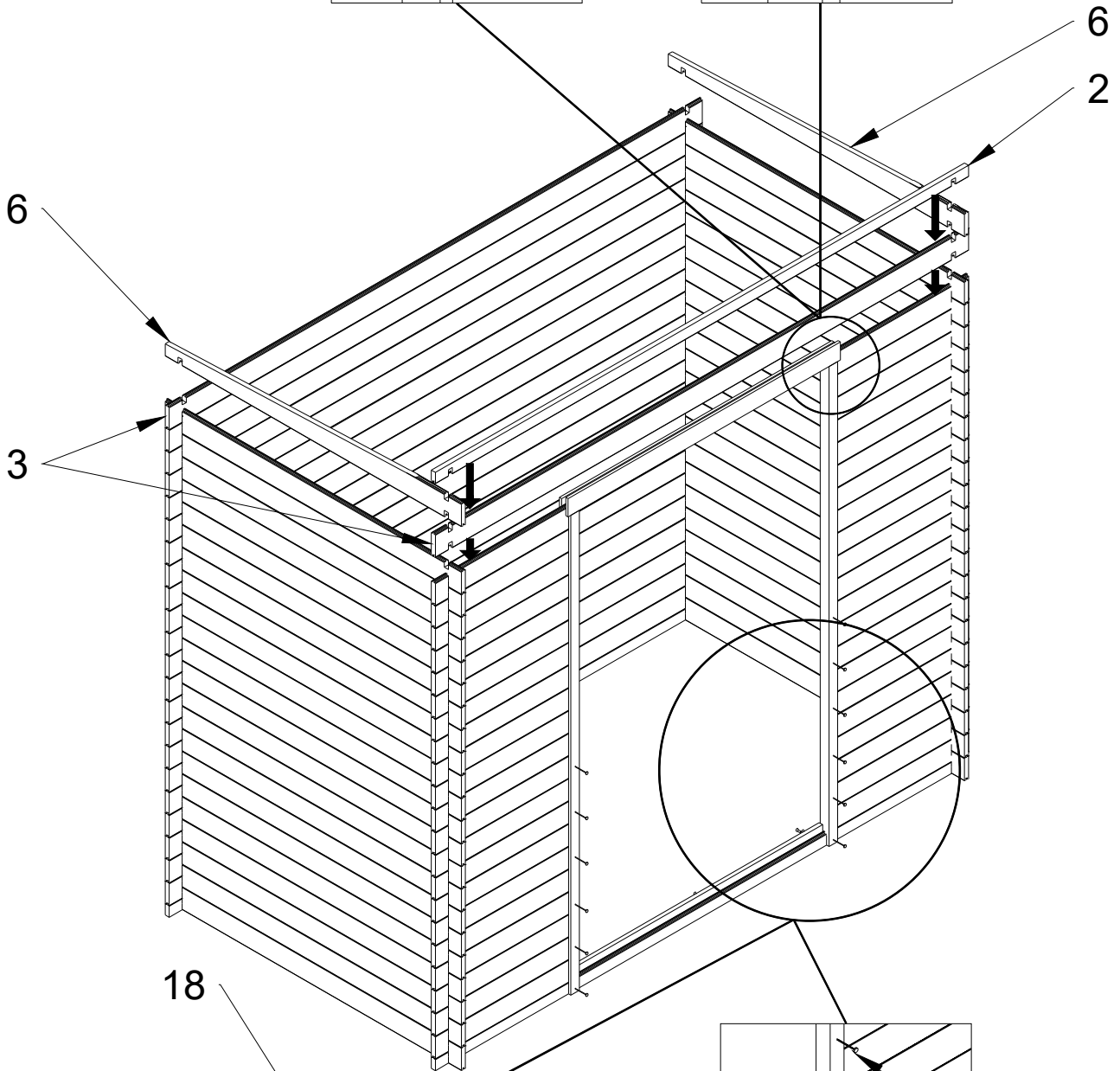
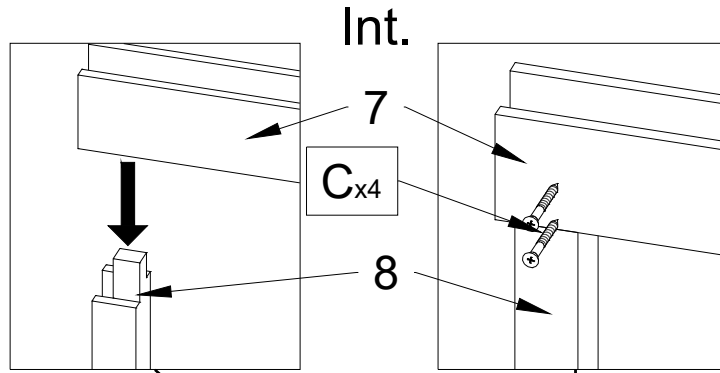
1



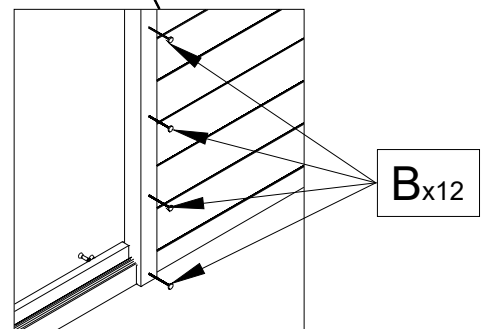
2



3



Int.



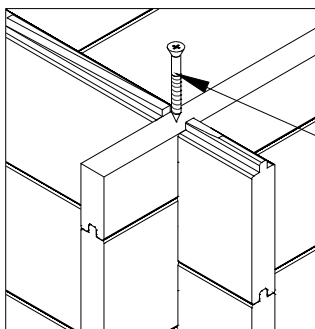
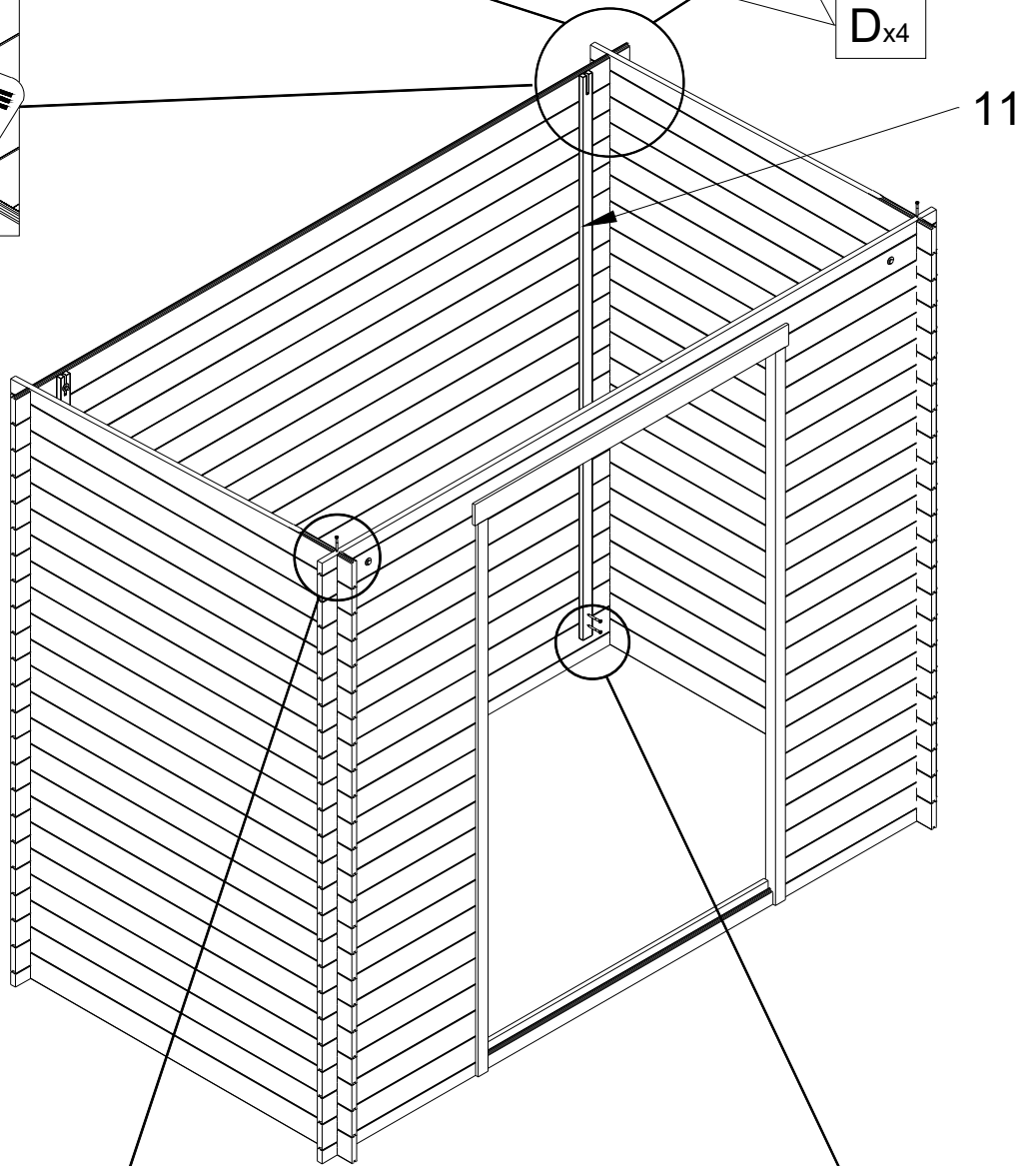
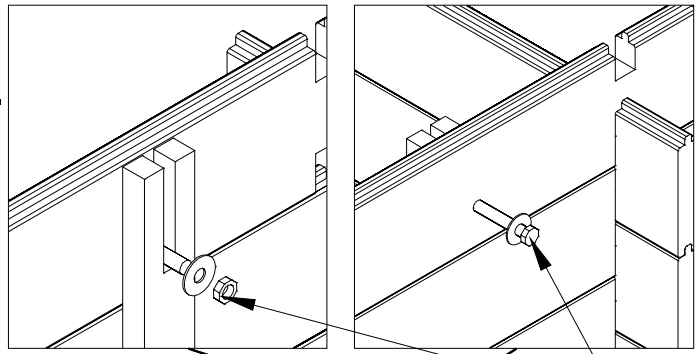
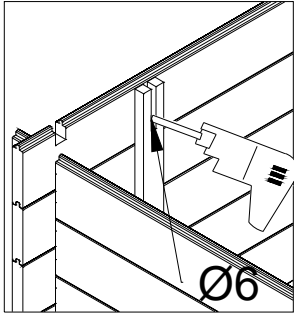
Ext.

4

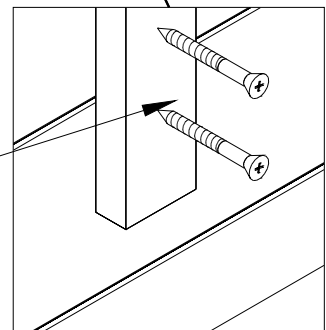
Int.

Ext.

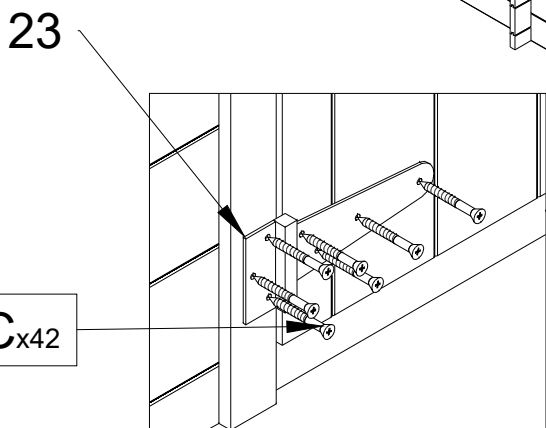
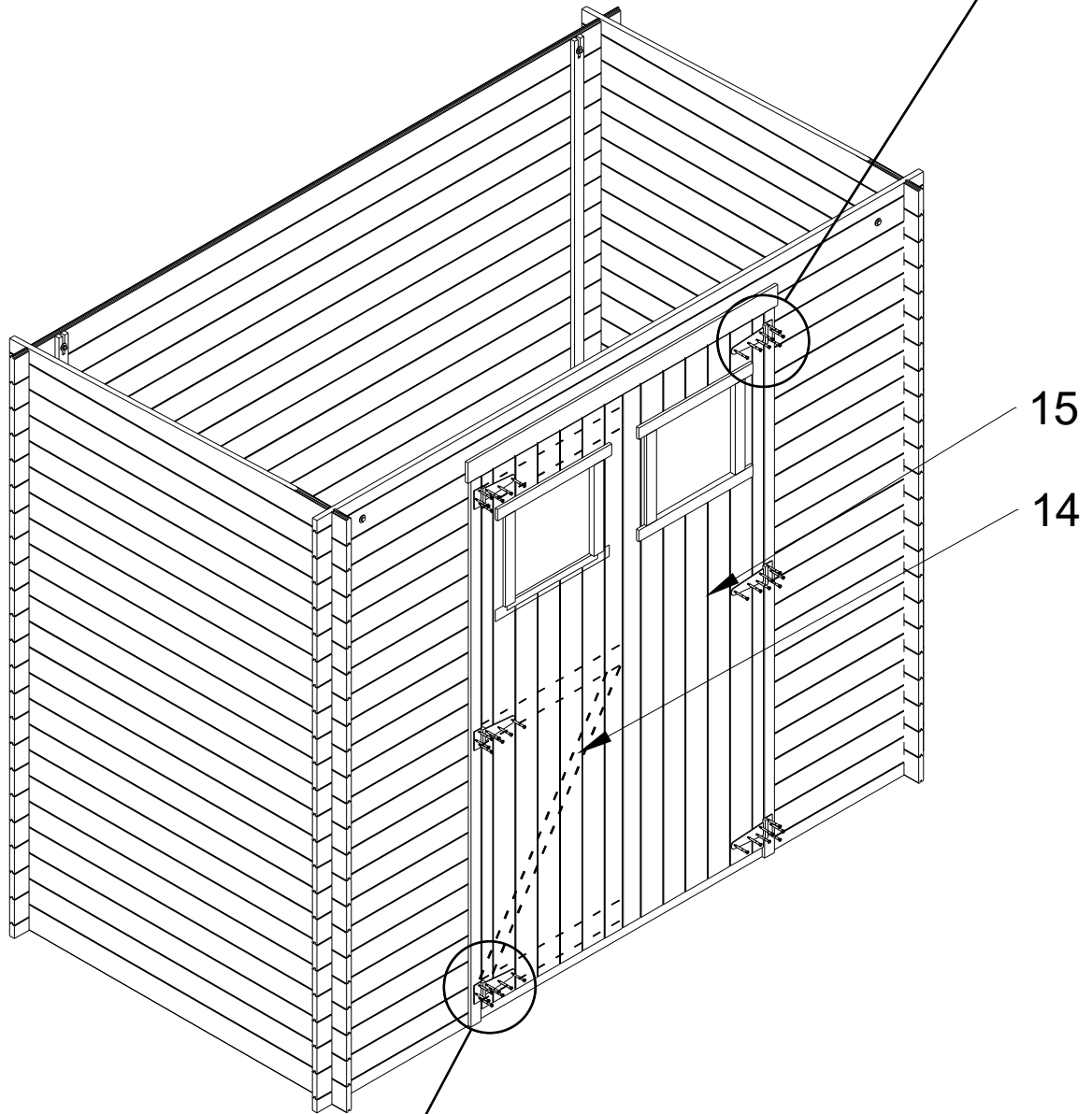
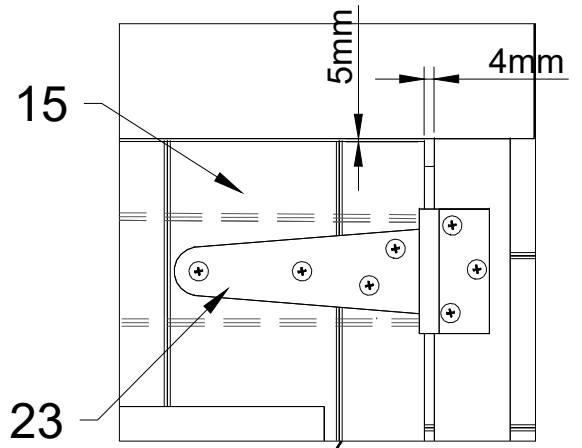
Int.



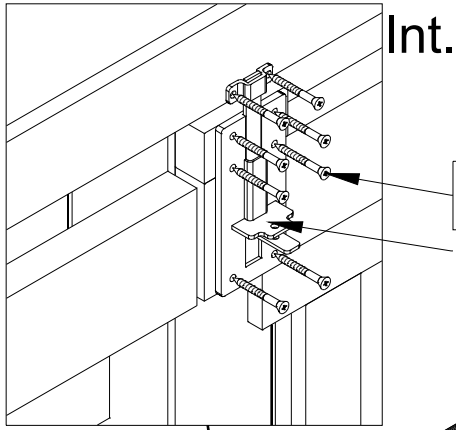
C<sub>x8</sub>



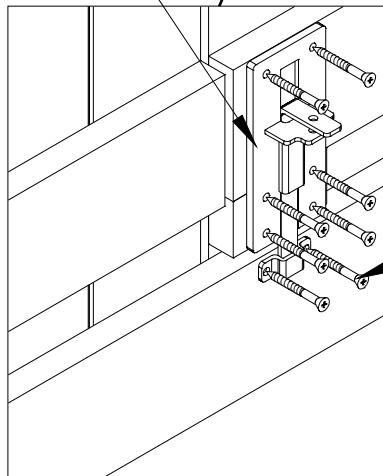
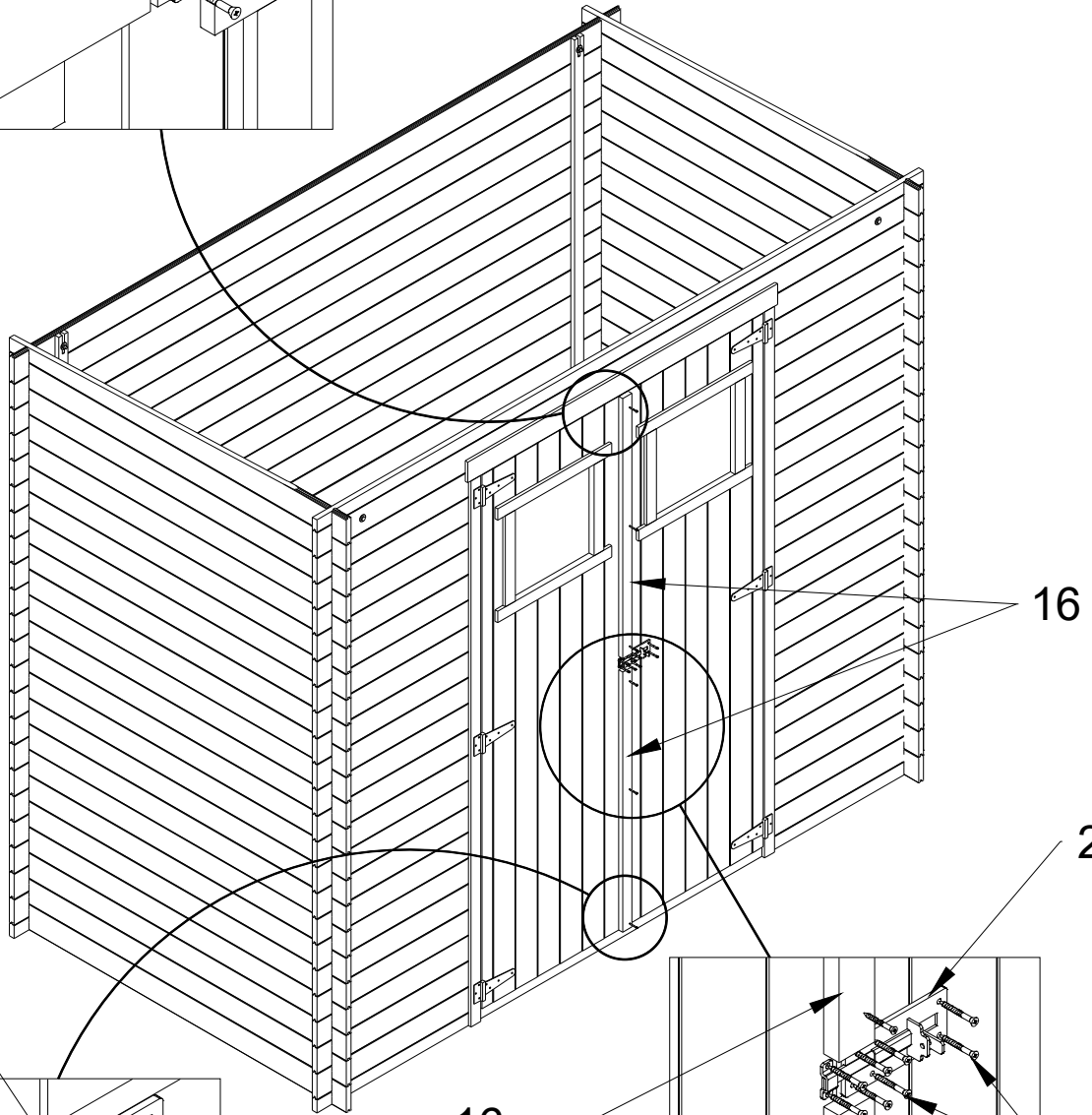
5



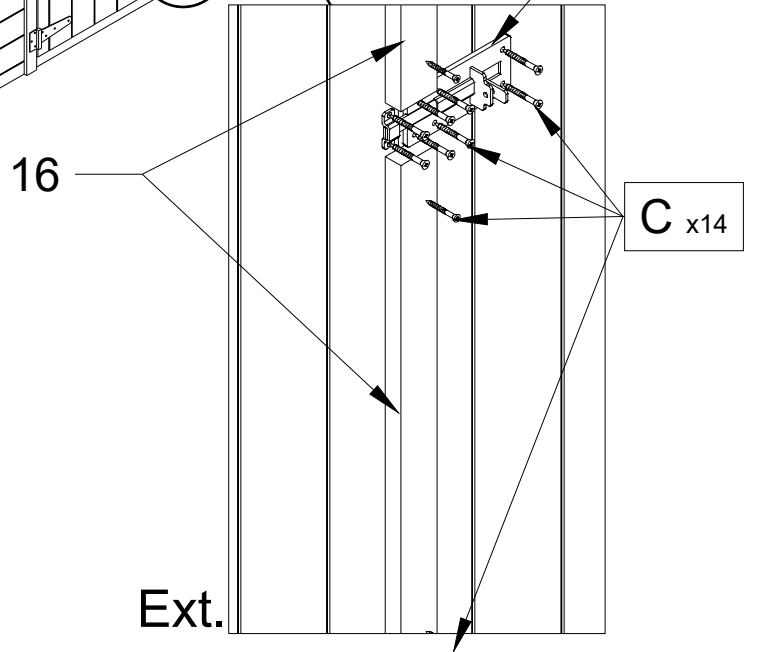
6



C x8  
24



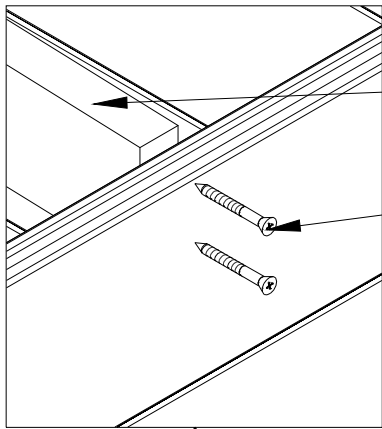
C x8



C x14



7

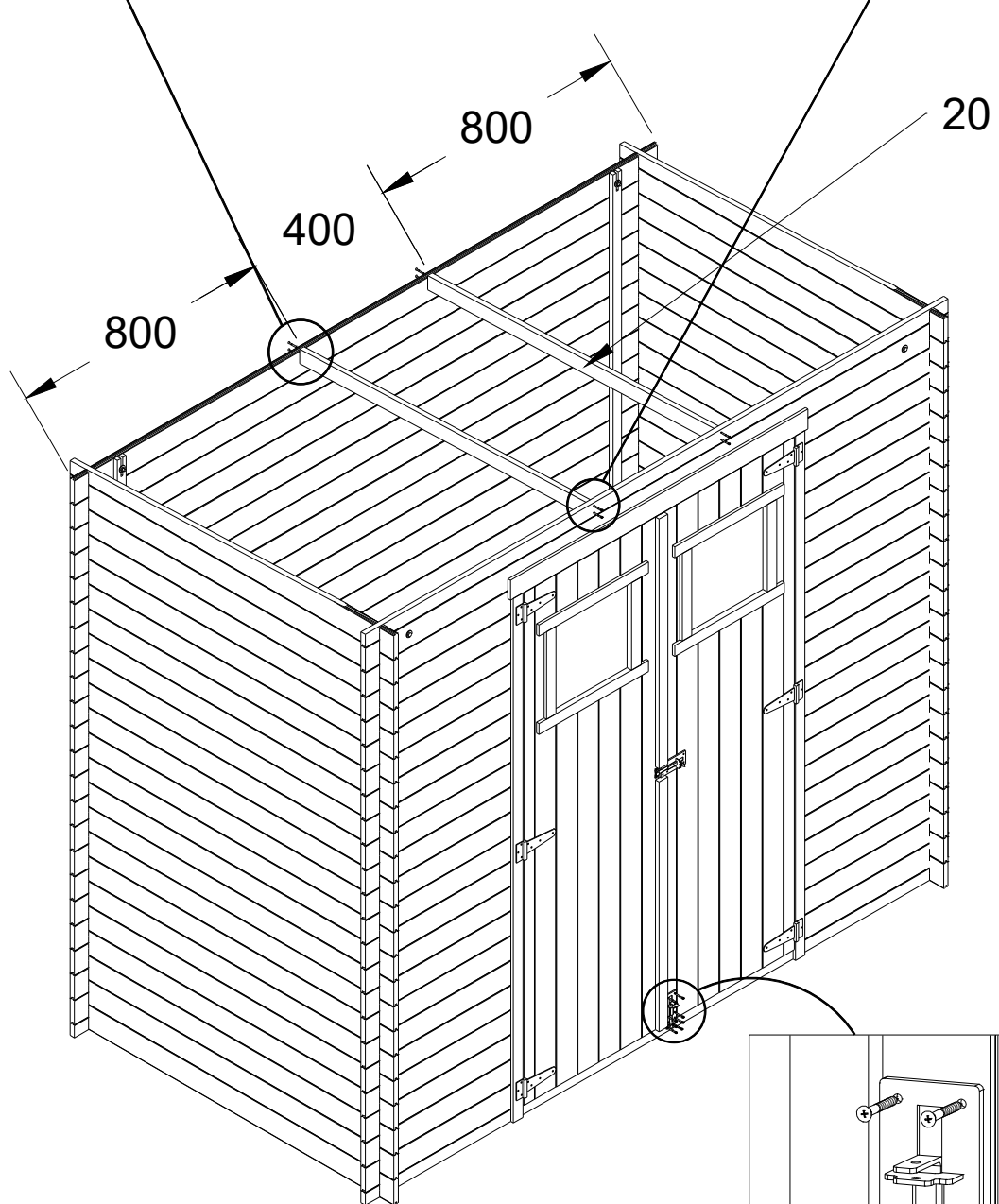
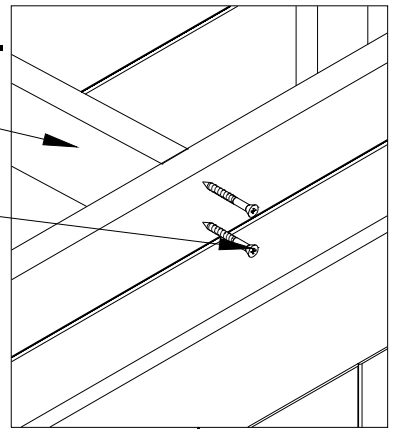


Ext.

20

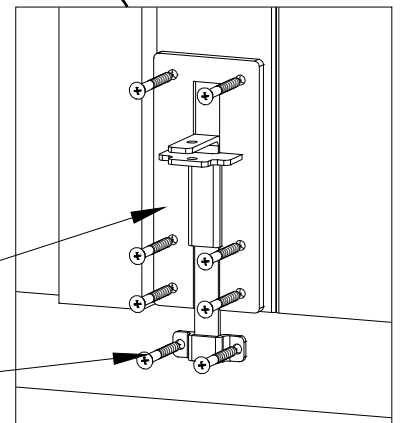
C x8

Ext.

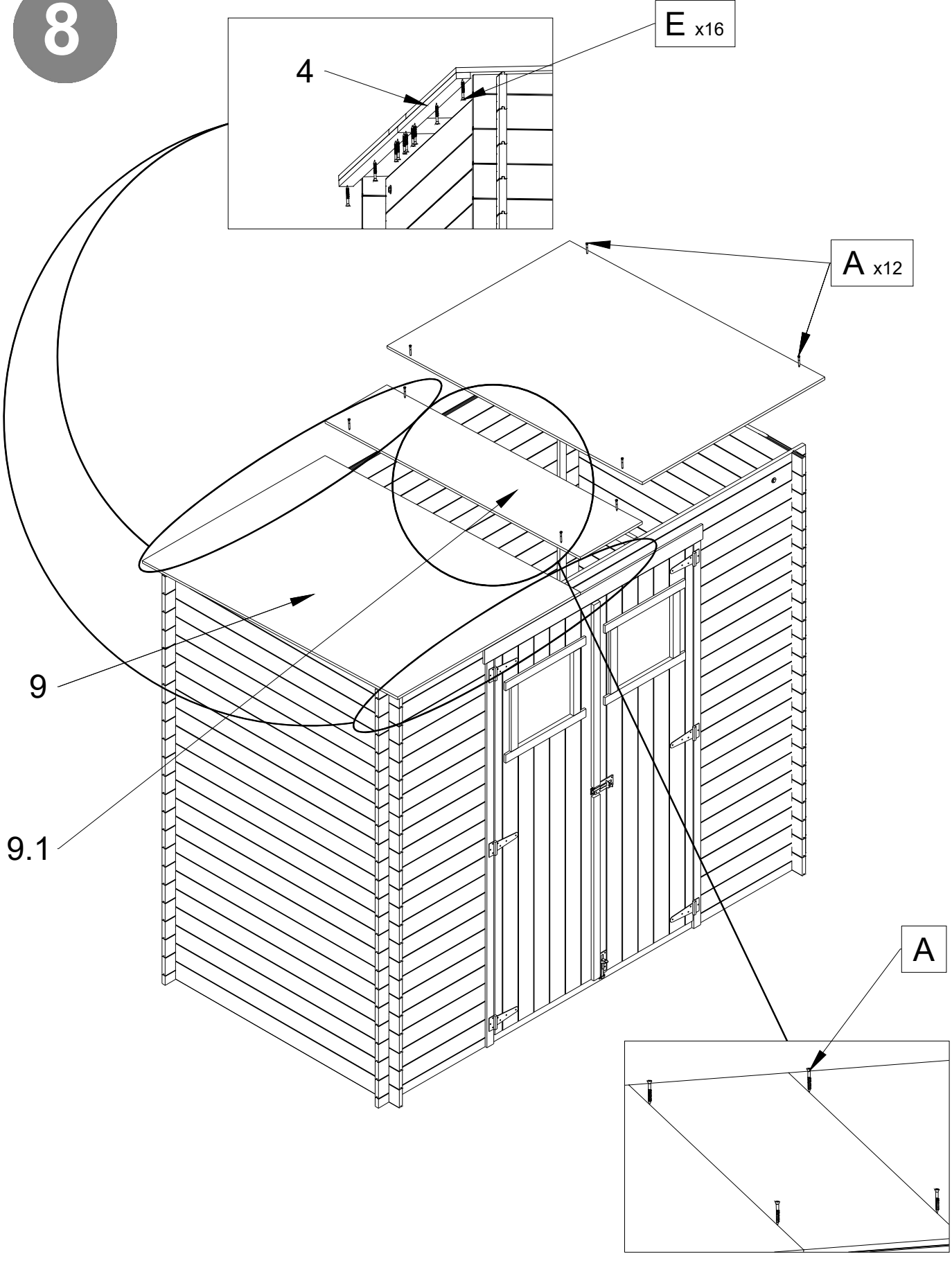


24

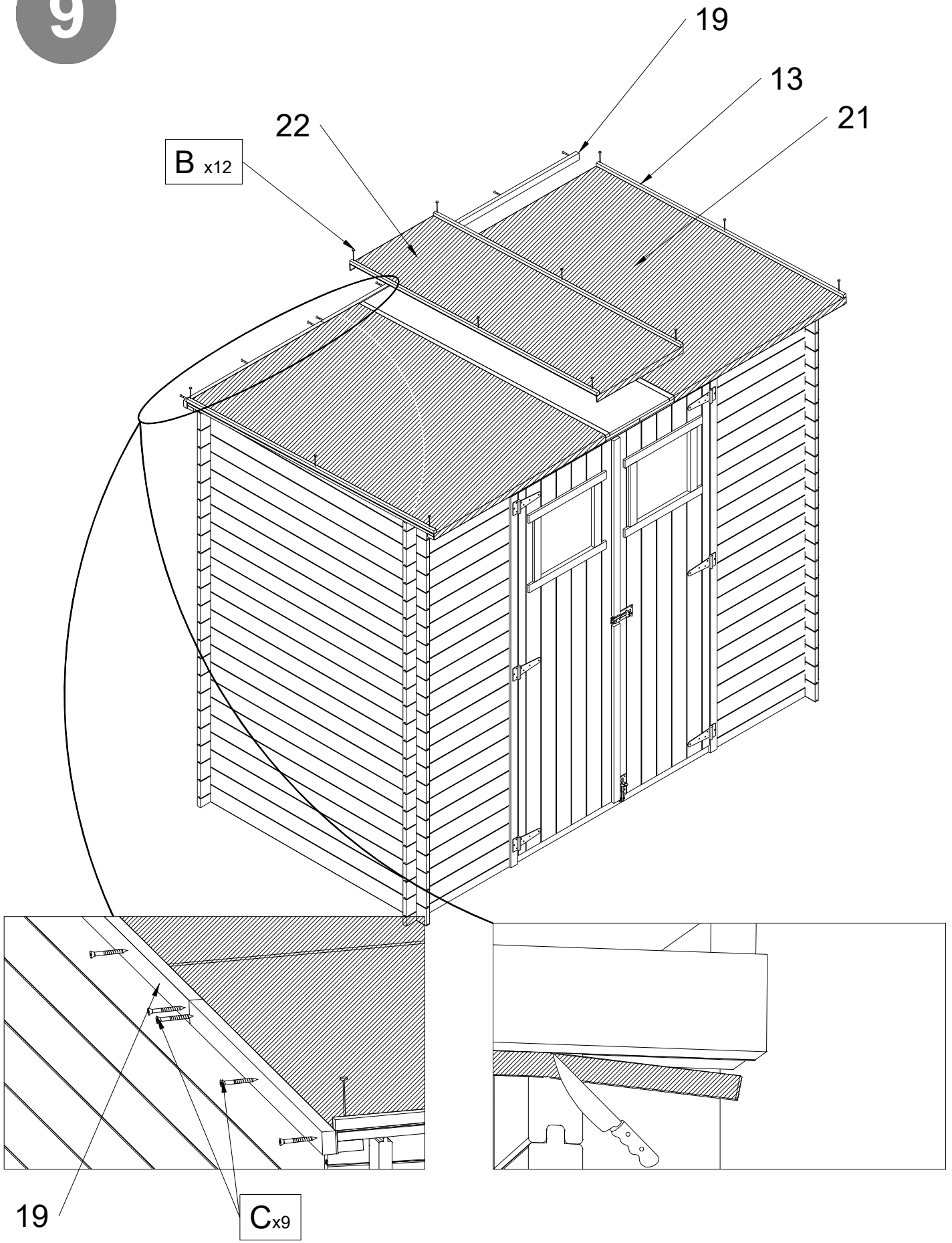
E x8



8



9



10

