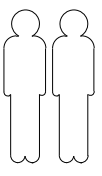
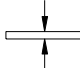
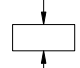
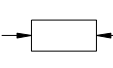
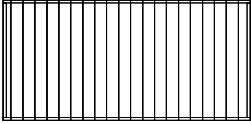
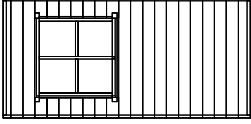
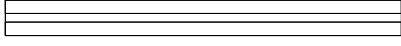
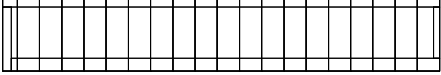
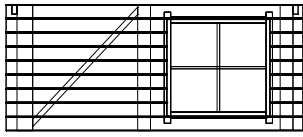
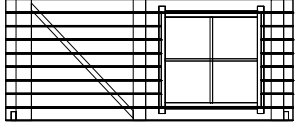
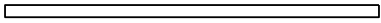
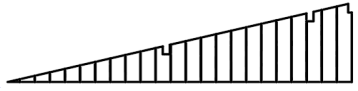
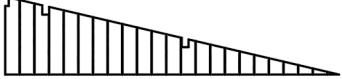
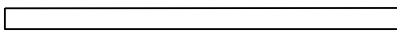

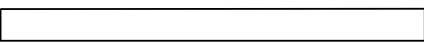
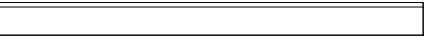
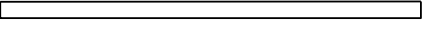

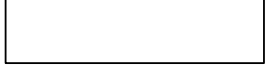



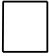
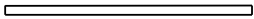

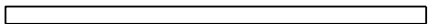
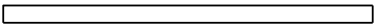

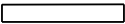


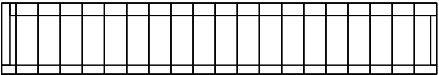
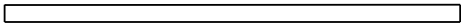
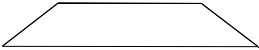
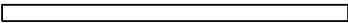




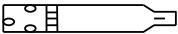
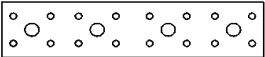
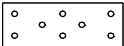

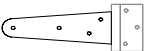
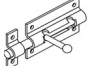


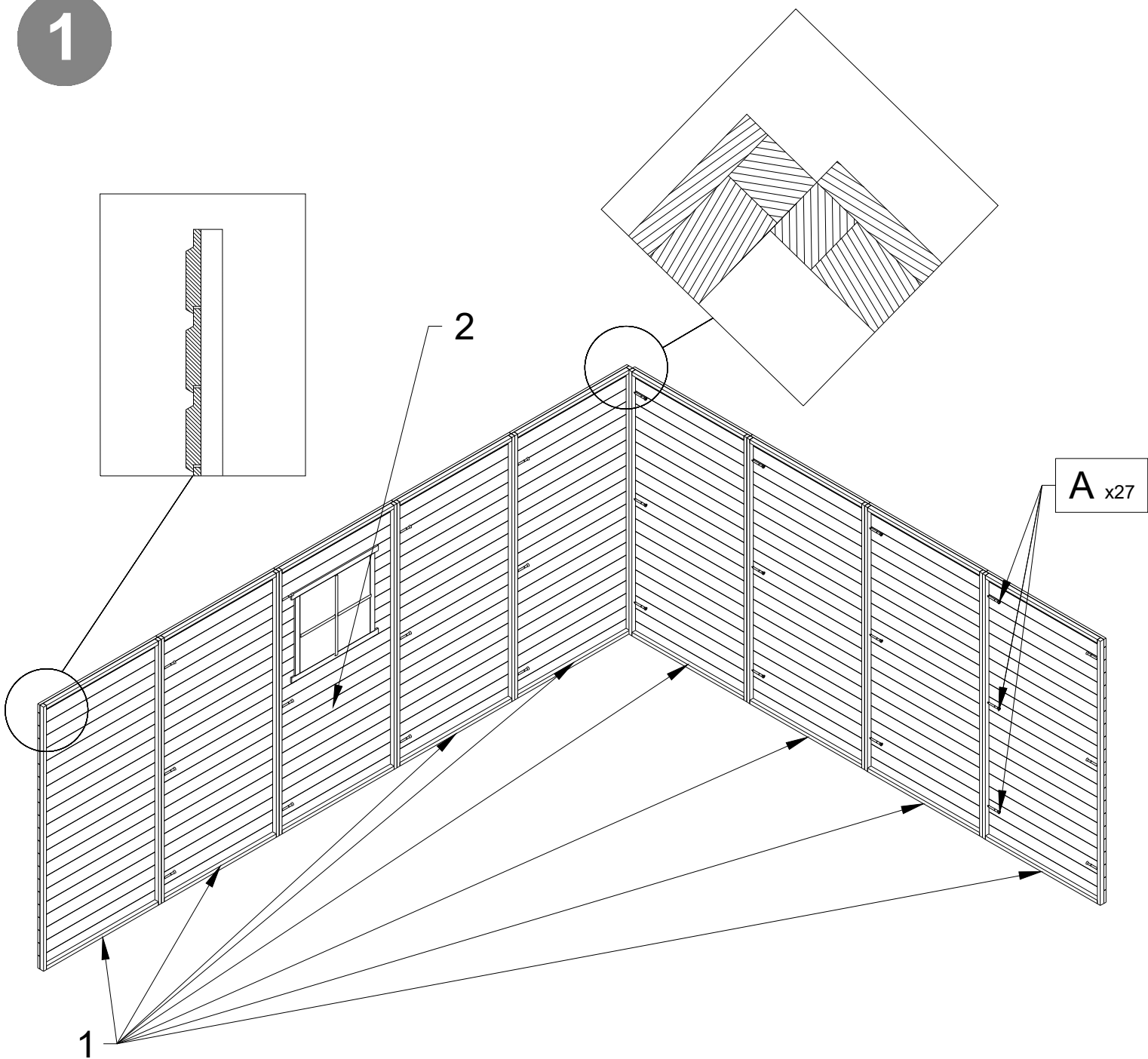
| | | |
|------------|--------|-------|
| (A) | 4x45 | x 385 |
| (B) | 3x25 | x 884 |
| (C) | 1.4x25 | x 60 |
| (D) | 3x20 | x 60 |
| (E) | 3x13 | x 20 |
| (F) | 10x70 | x 8 |



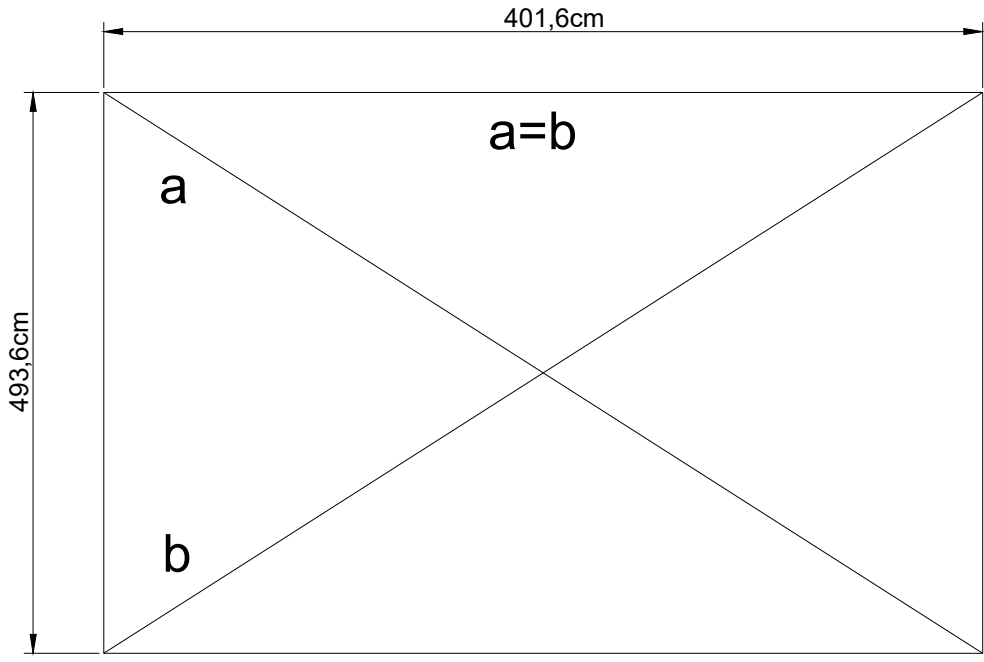
| № | | PCS |  mm |  mm |  mm |
|------|---|-----|---|---|---|
| 1 |  | 12 | | 980 | 1900 |
| 2 |  | 4 | | 980 | 1900 |
| 3 |  | 1 | | 89 | 1960 |
| 4 |  | 1 | | 200 | 1814 |
| 5 |  | 1 | | 770 | 1760 |
| 6 |  | 1 | | 770 | 1760 |
| 7 |  | 1 | 25 | 30 | 1560 |
| 8K |  | 2 | | 500 | 2005 |
| 8D |  | 2 | | 500 | 2005 |
| 9 |  | 1 | 30 | 60 | 1560 |
| 10 |  | 8 | | 510 | 2150 |
| 11 |  | 12 | 40 | 60 | 1700 |
| 12 |  | 3 | 40 | 60 | 1700 |
| 13 |  | 6 | 17 | 47 | 1700 |
| 14 |  | 10 | OSB | 590 | 1810 |
| 14.1 |  | 10 | OSB | 390 | 1810 |
| 14.2 |  | 2 | OSB | 200 | 1810 |

| | | | | | |
|------|--|----|-----|------|-------|
| 15 |  | 10 | OSB | 340 | 590 |
| 15.1 |  | 10 | OSB | 340 | 390 |
| 15.2 |  | 2 | OSB | 200 | 340 |
| 16 |  | 10 | OSB | 35 | 1020 |
| 17 |  | 4 | 13 | 92 | 2160 |
| 18 |  | 14 | 15 | 35 | 2130 |
| 19 |  | 8 | 15 | 35 | 1835 |
| 20 |  | 4 | 17 | 47 | 1900 |
| 21 |  | 2 | 15 | 35 | 440 |
| 22 |  | 2 | 15 | 35 | 836 |
| 23 |  | 2 | 15 | 75 | 145 |
| 24 |  | 1 | | 200 | 1814 |
| 25 |  | 5 | 15 | 35 | 1900 |
| 26 |  | 8 | 30 | 60 | 275 |
| 27 |  | 10 | 15 | 35 | 1020 |
| 29 | 2x10m   → 4x5,0m | 4 | | 1 m | 4.45m |
| |  | 1 | | 1 m | 4.45m |
| 30 |  | 1 | | 0,5m | 4,45m |
| 31 |  | 1 | | | |
| 32 |  | 28 | | | |
| 33 |  | 9 | | | |
| 34 |  | 14 | | | |
| 35 |  | 6 | | | |
| 36 |  | 3 | | | |

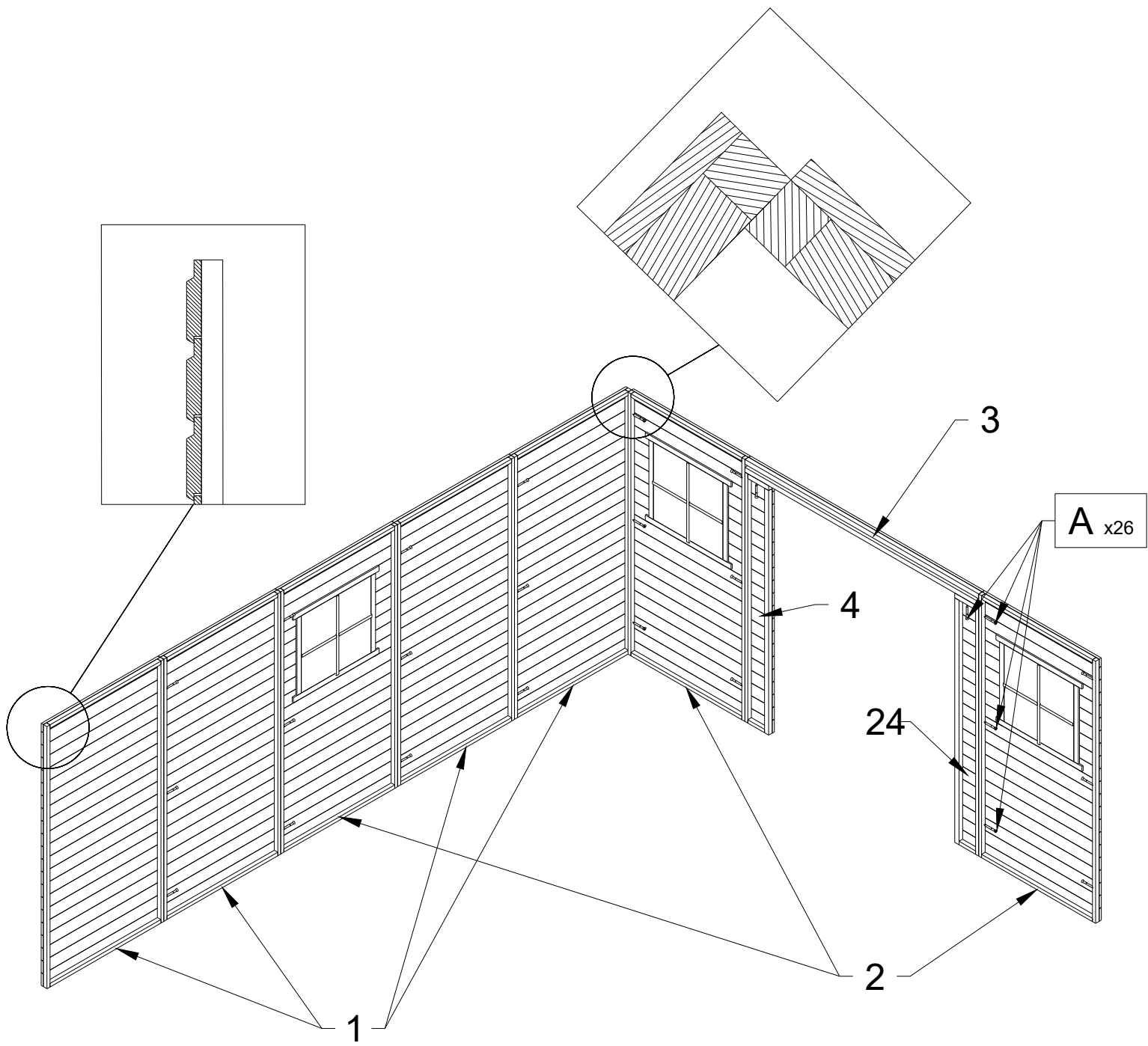
1

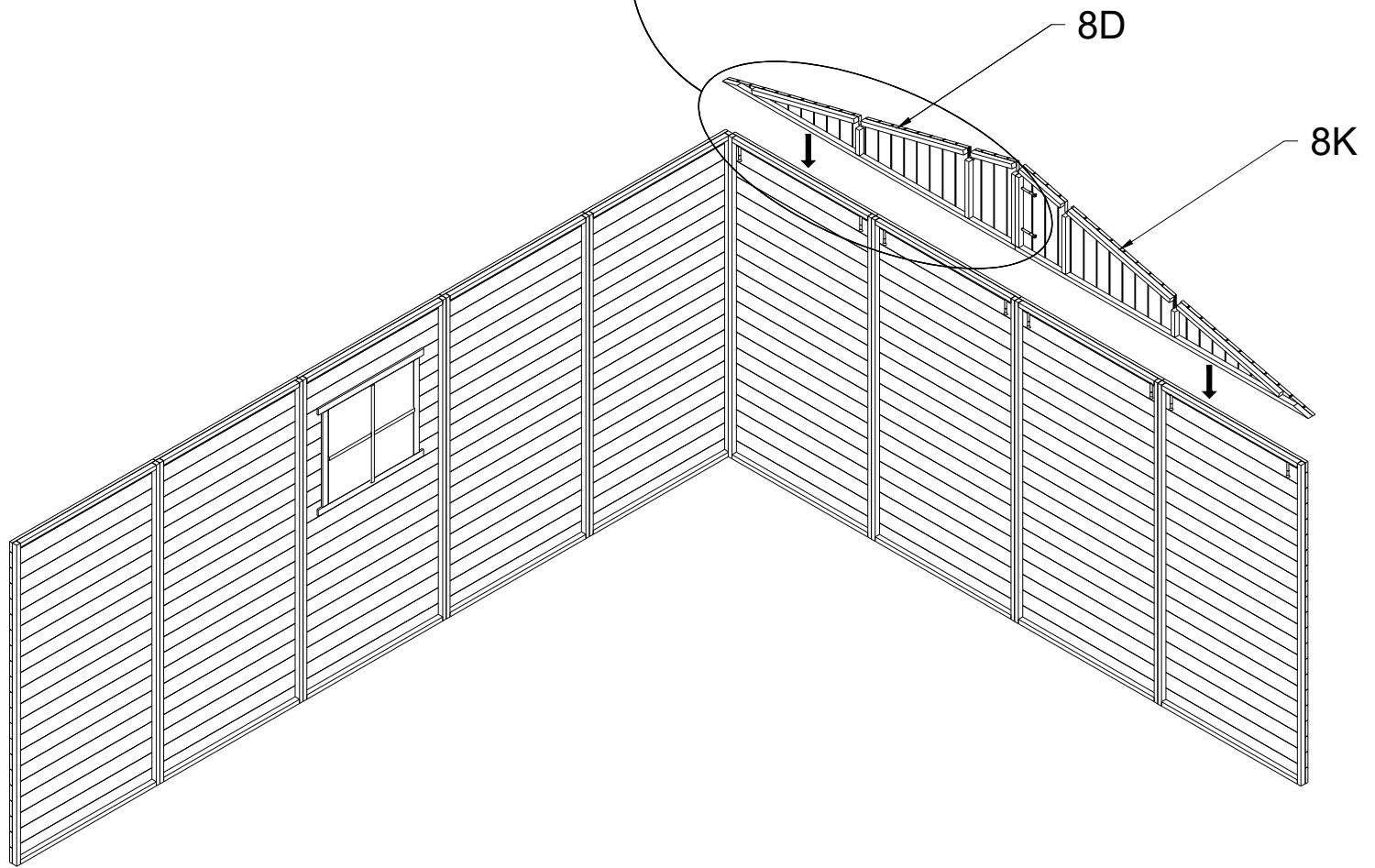
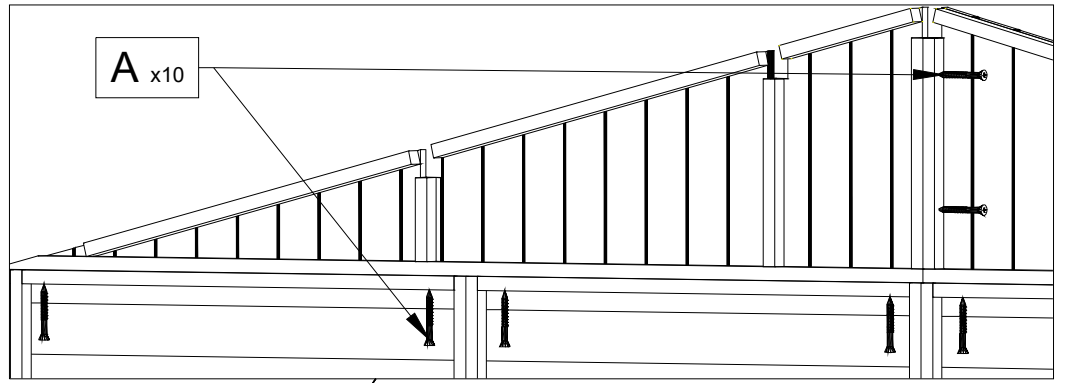


1



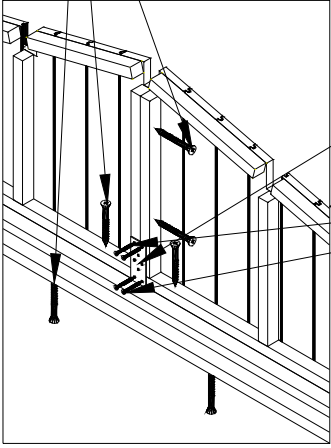
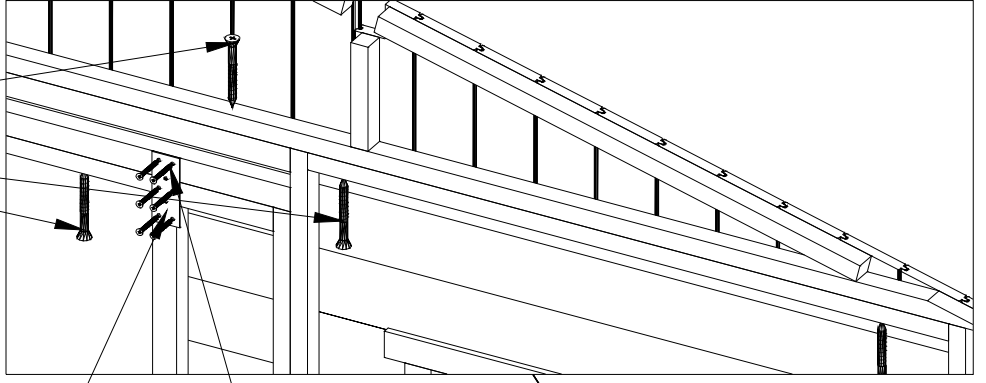
2





4

A_{x14}

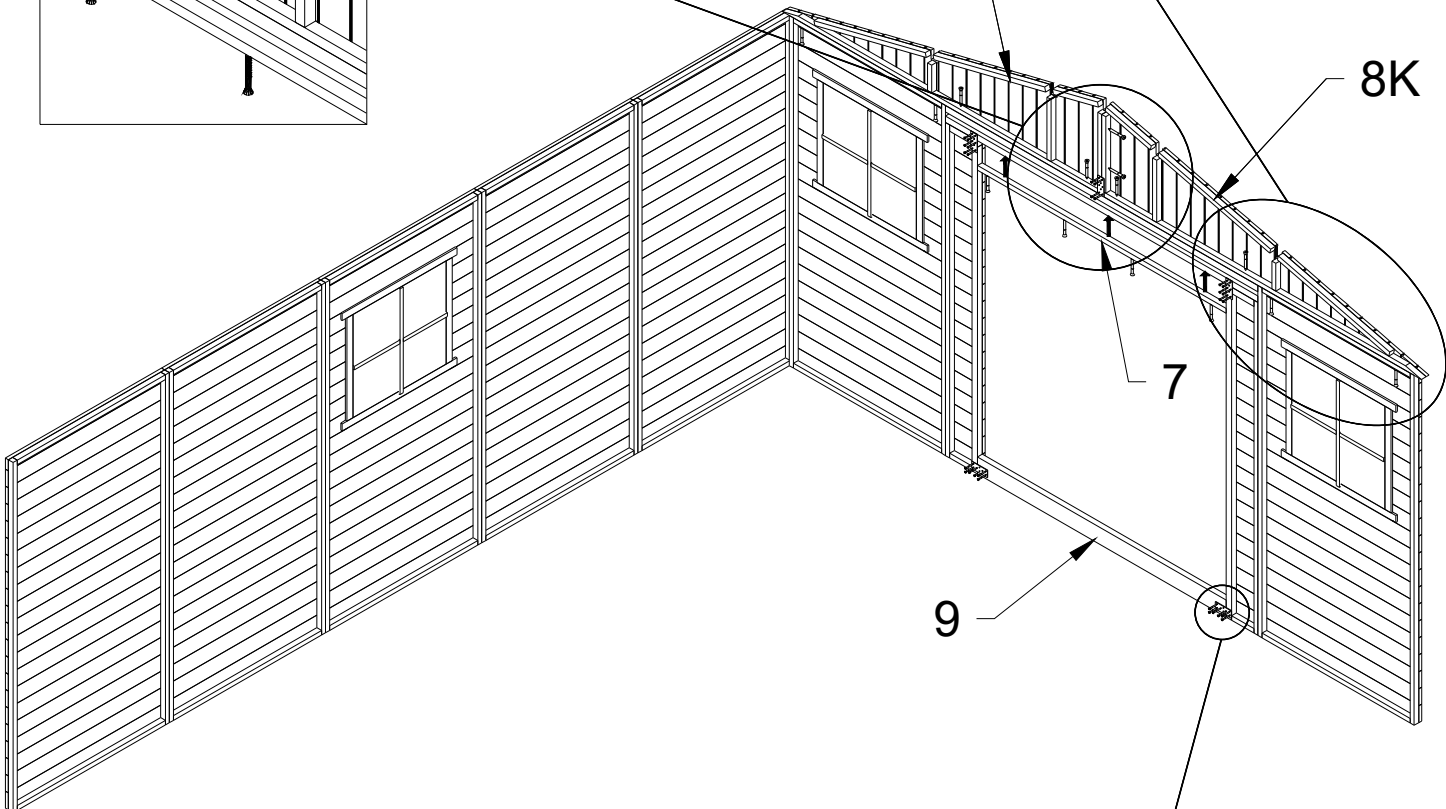


33

B_{x16}

8D

8K

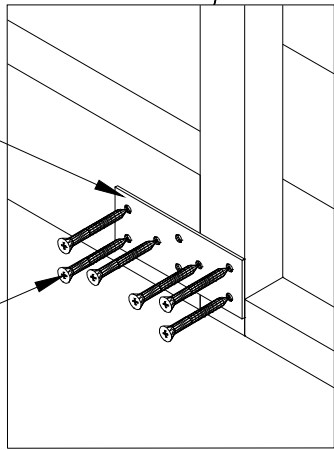


7

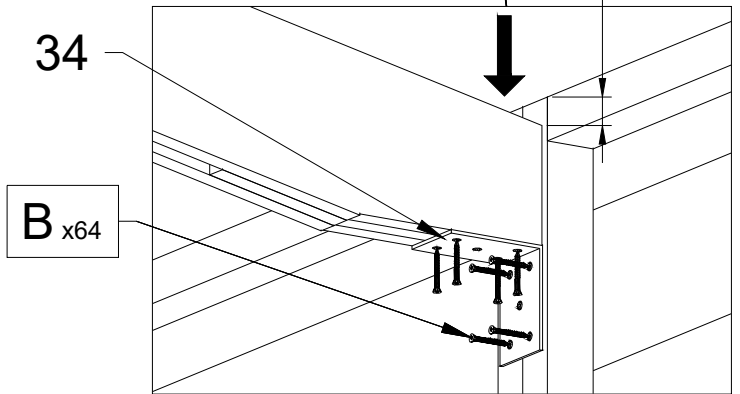
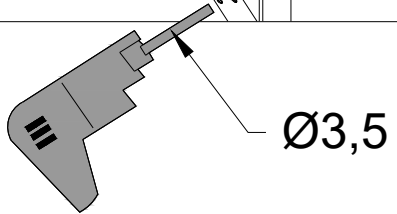
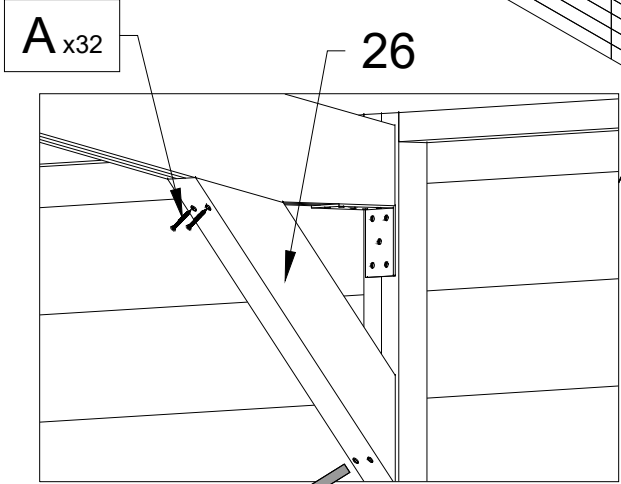
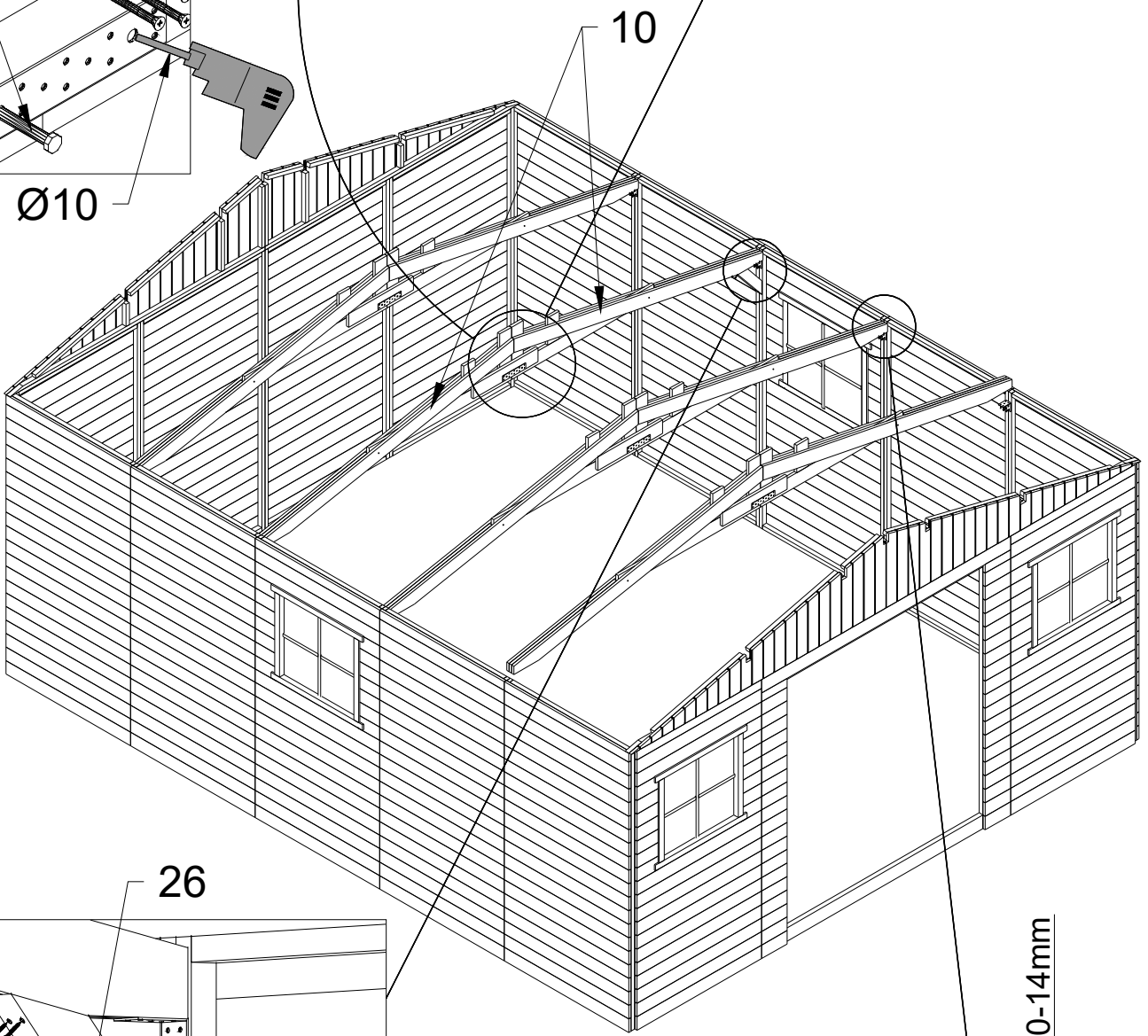
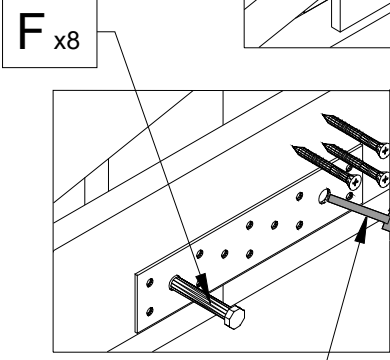
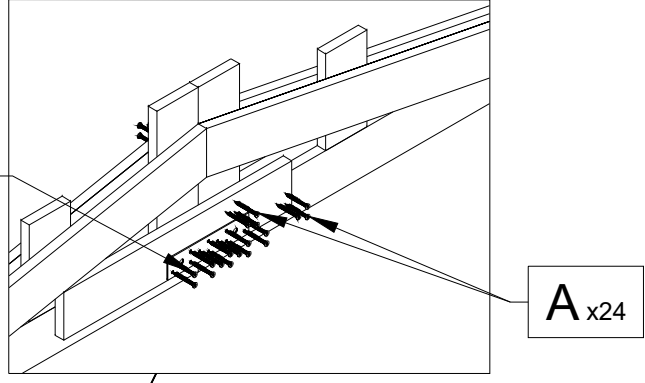
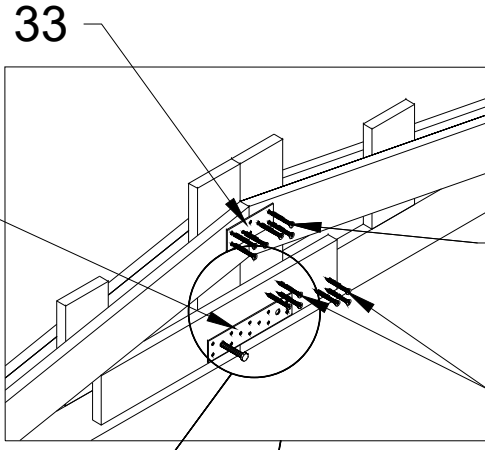
9

33

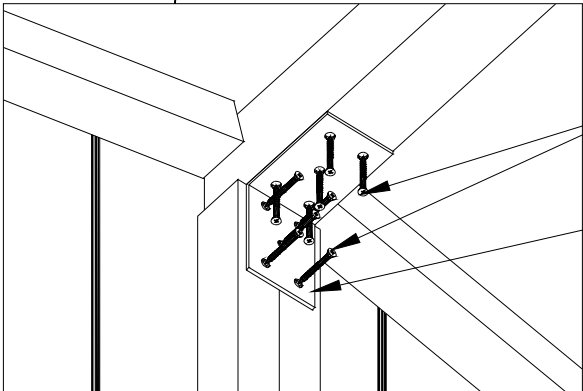
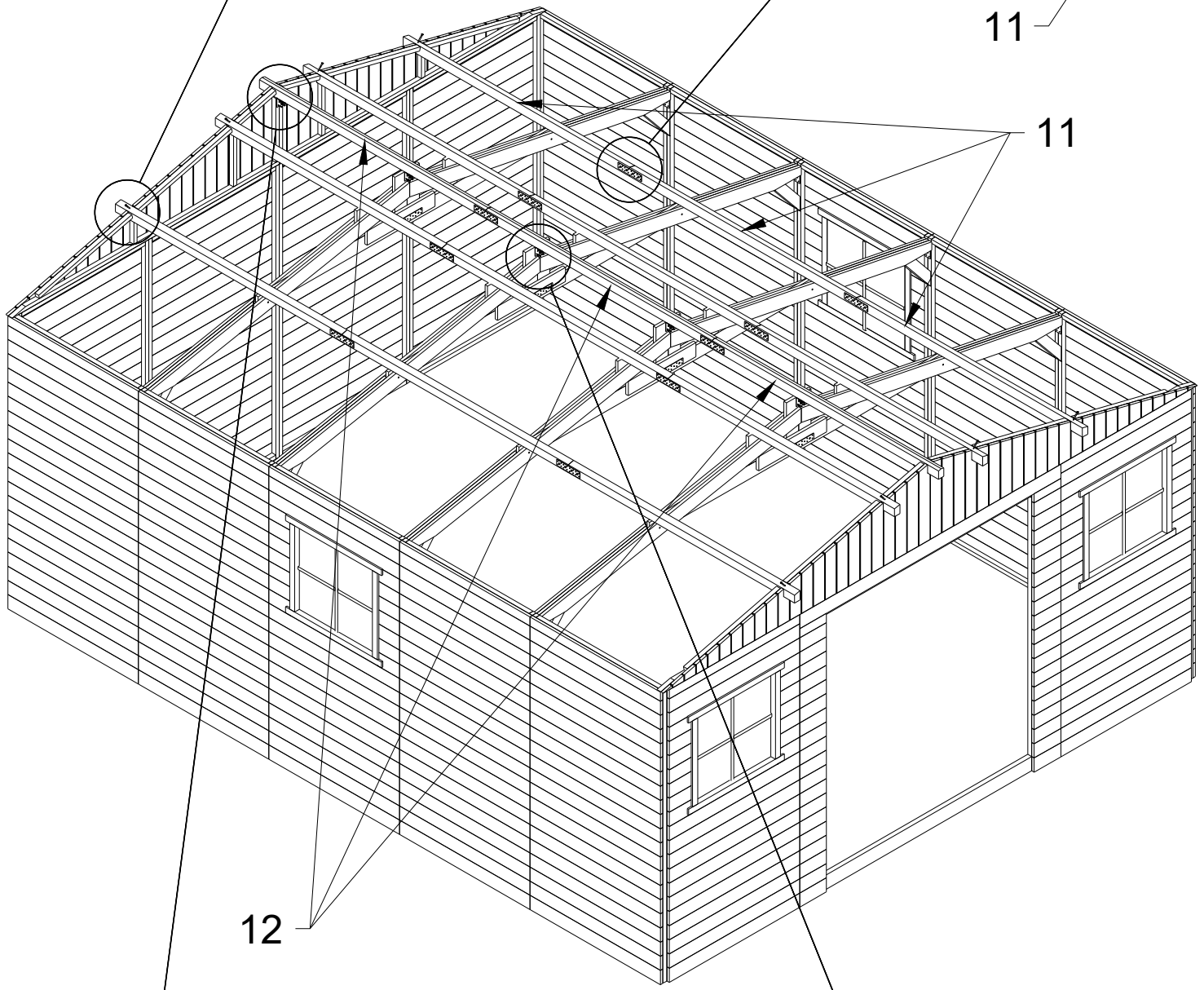
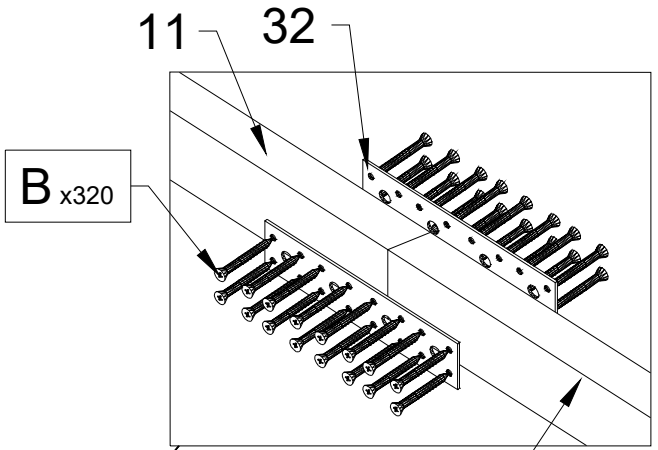
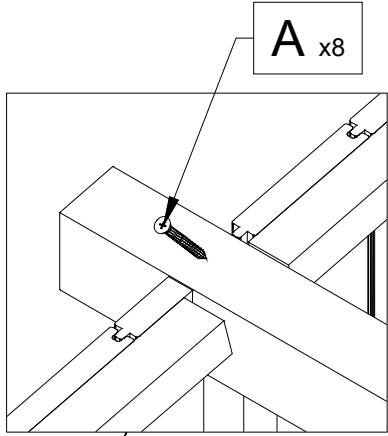
B_{x12}



5



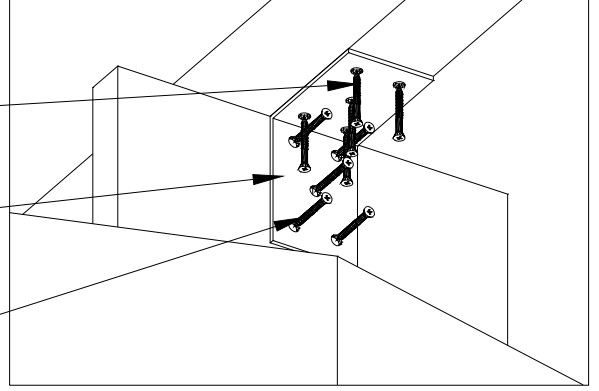
6



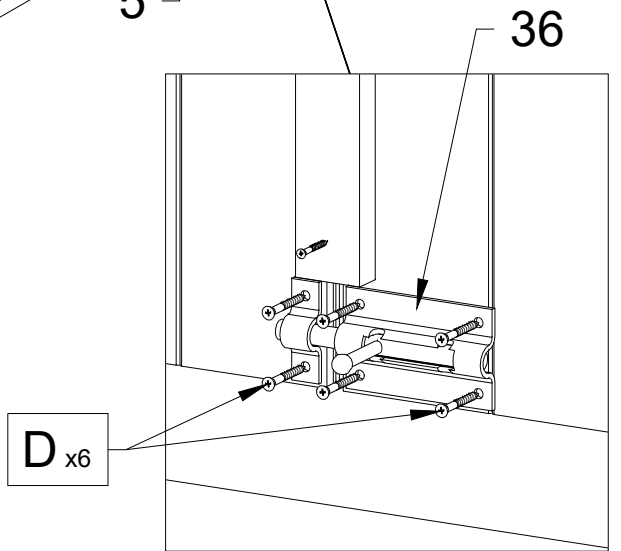
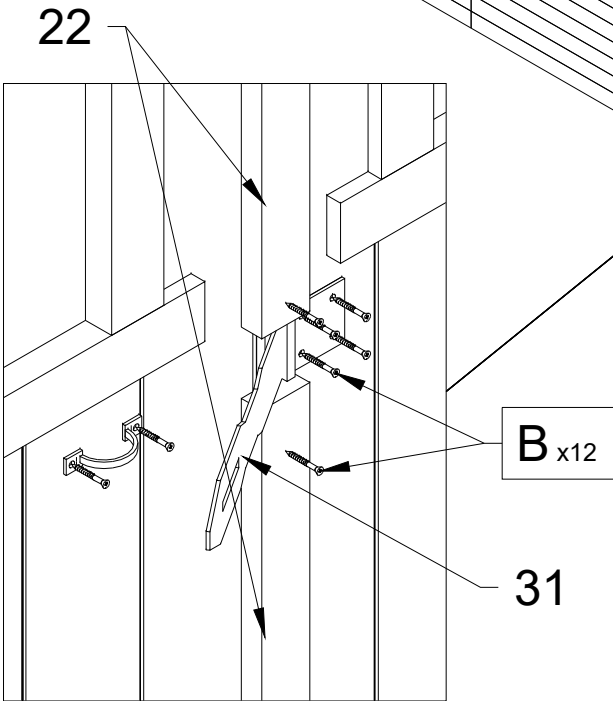
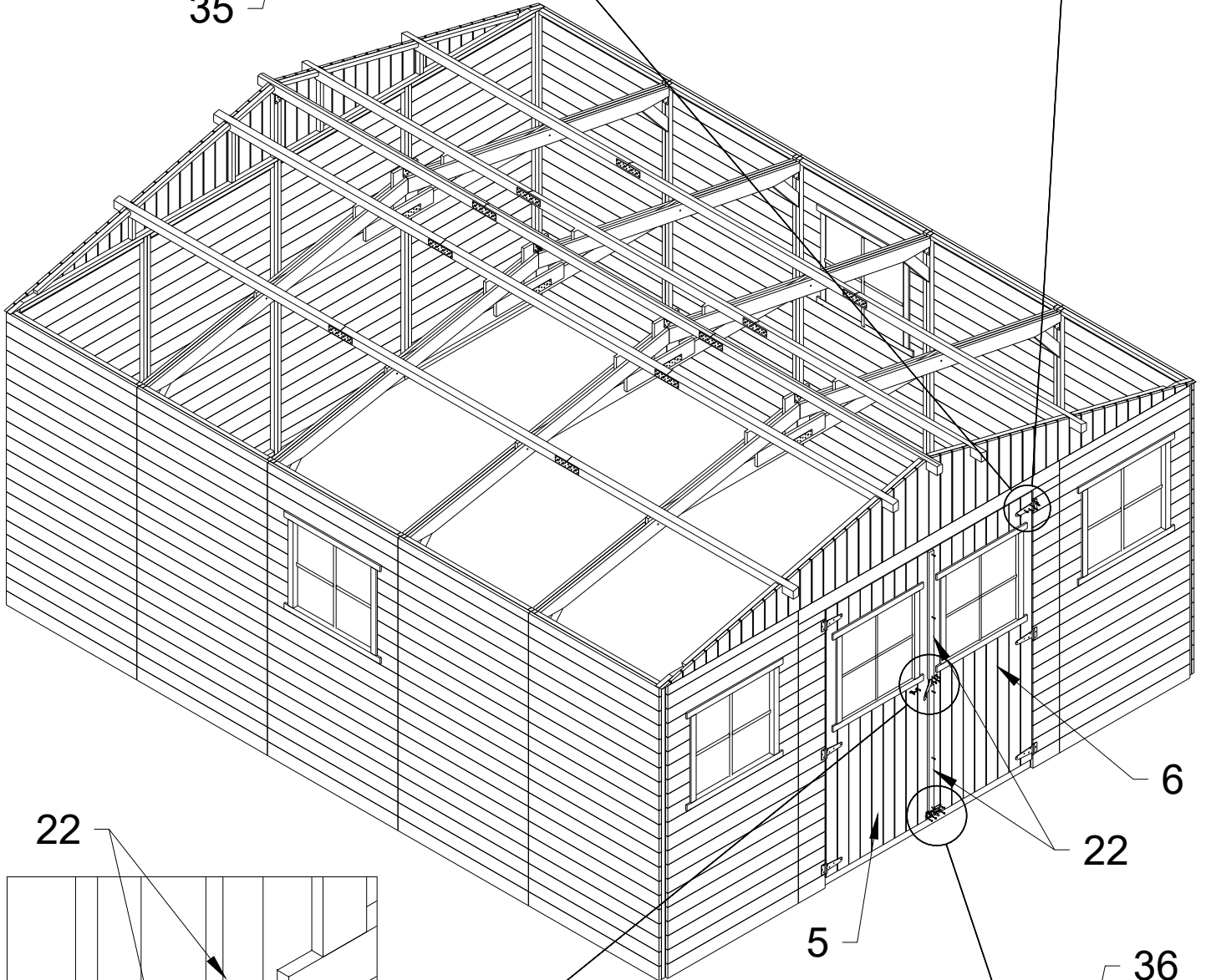
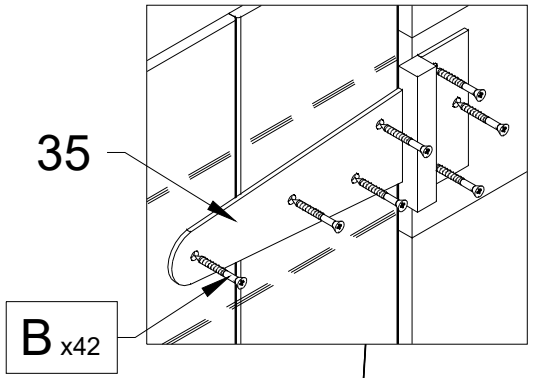
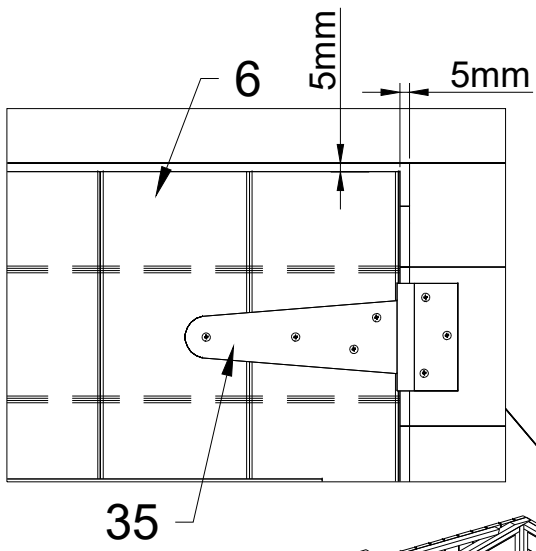
B x40

34

E x20

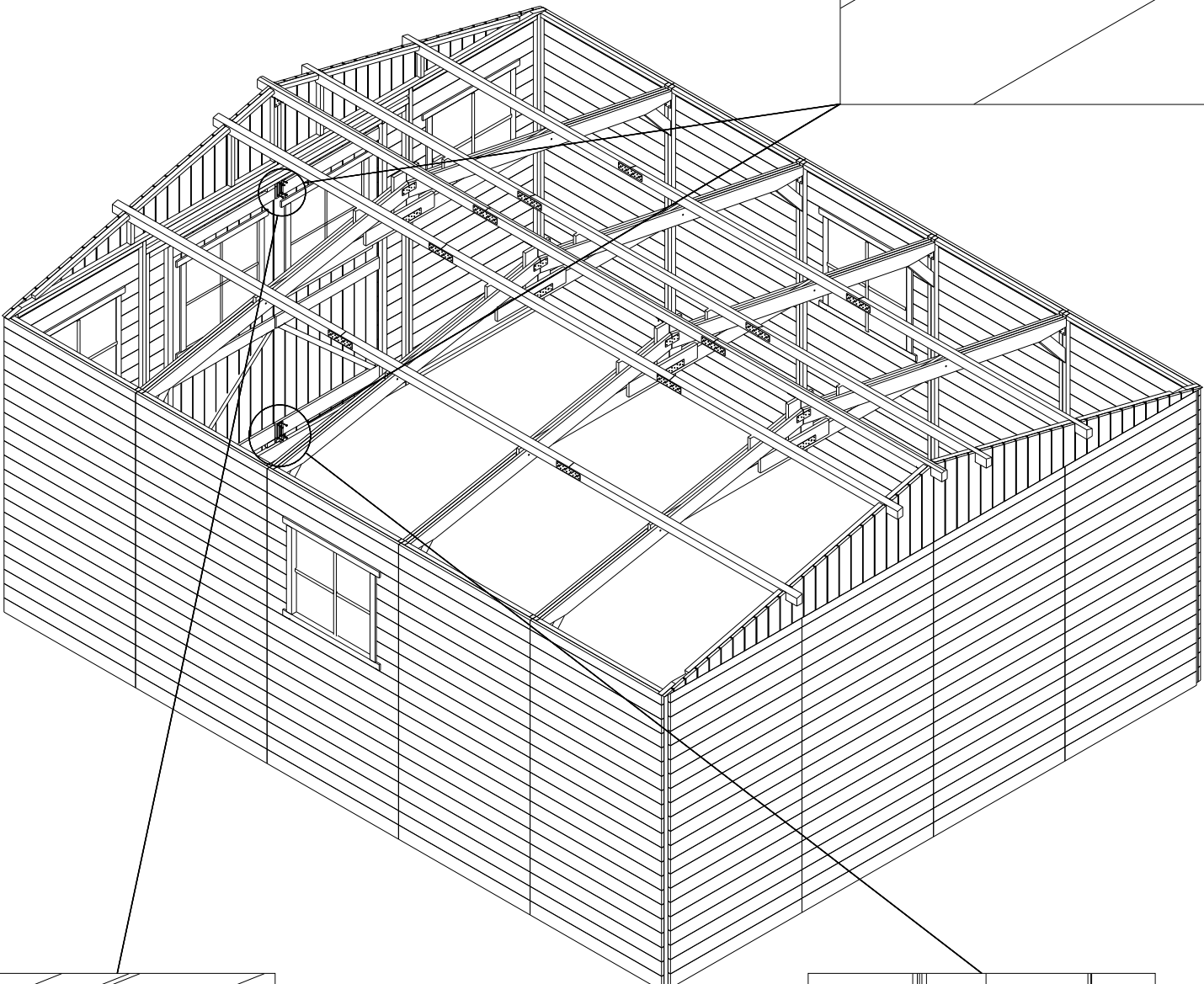
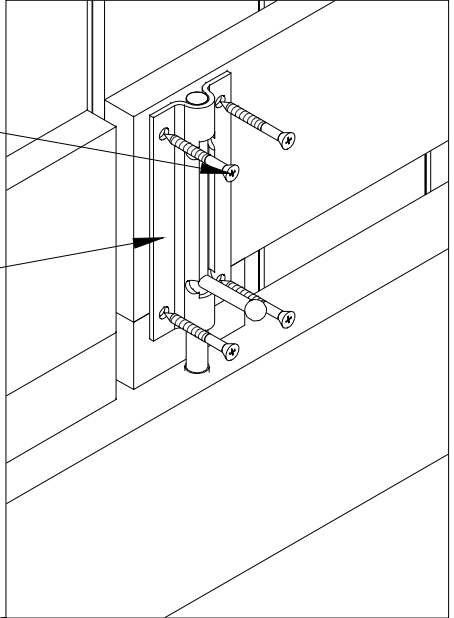


7



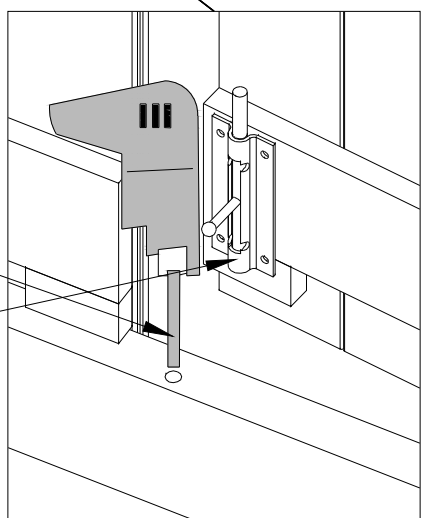
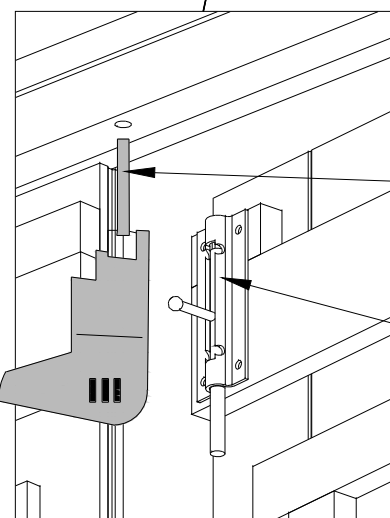
B x8

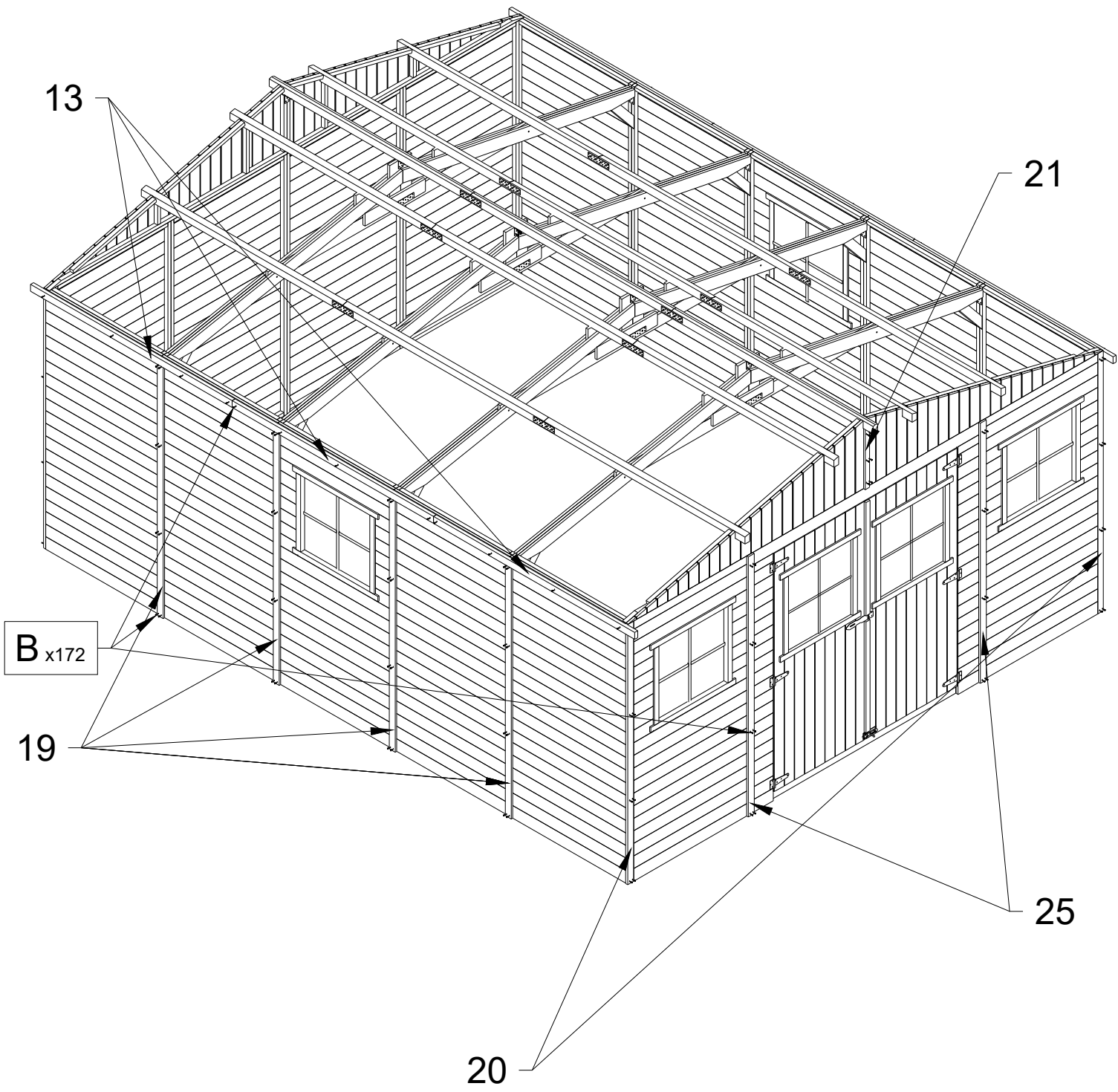
36



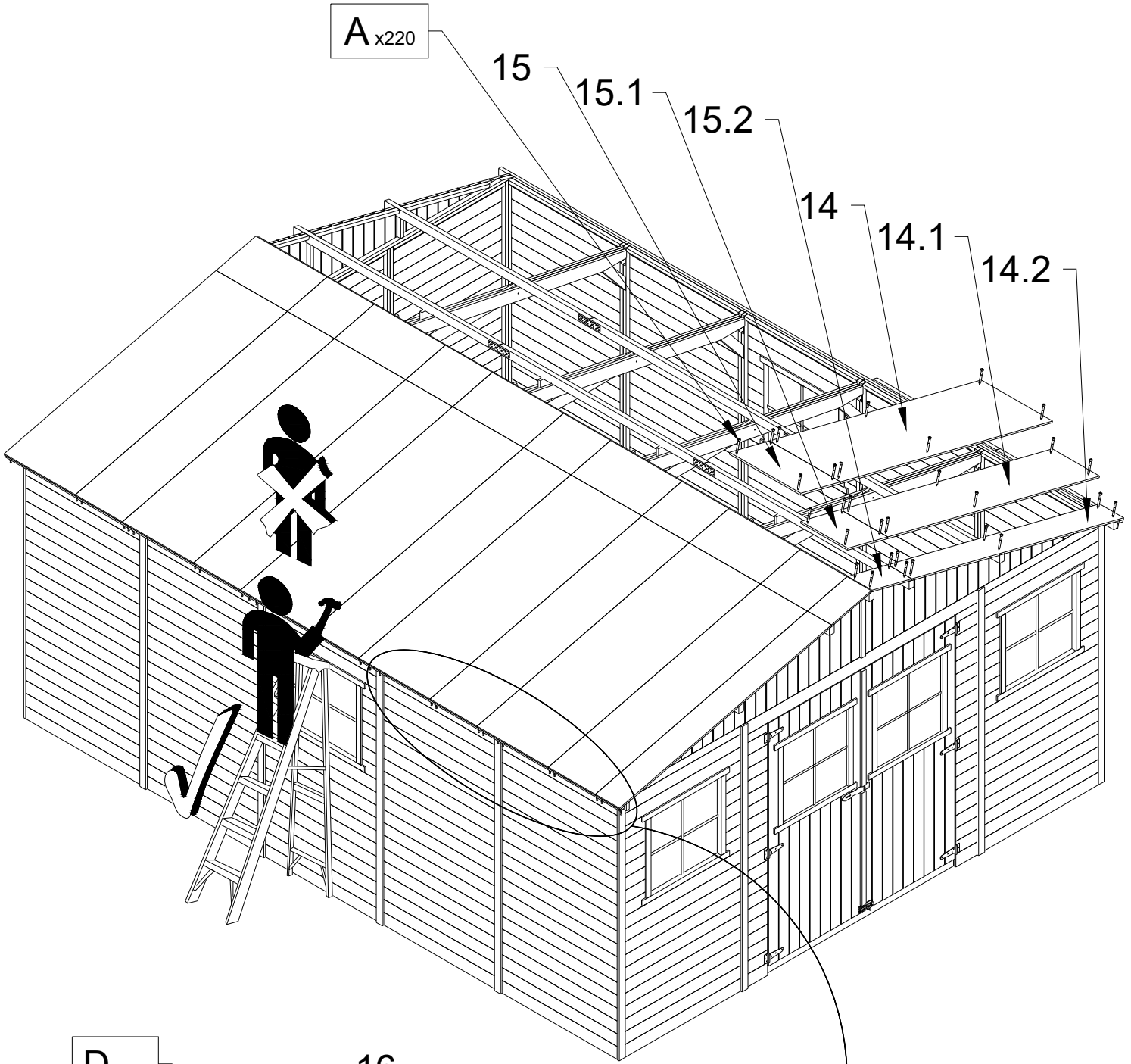
Ø12mm

36



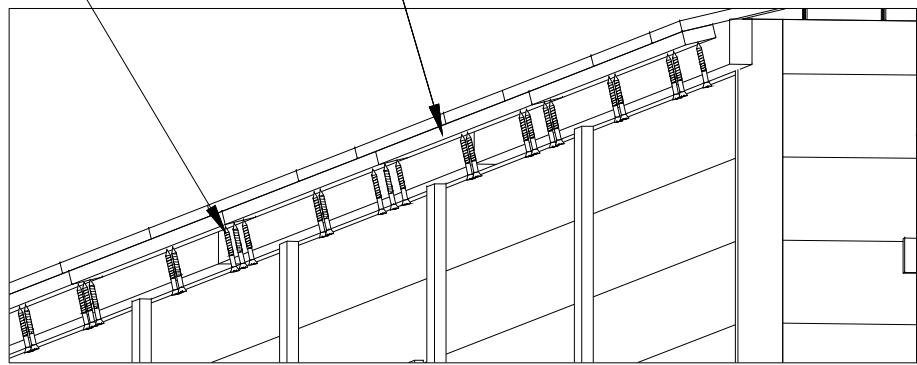


A x220

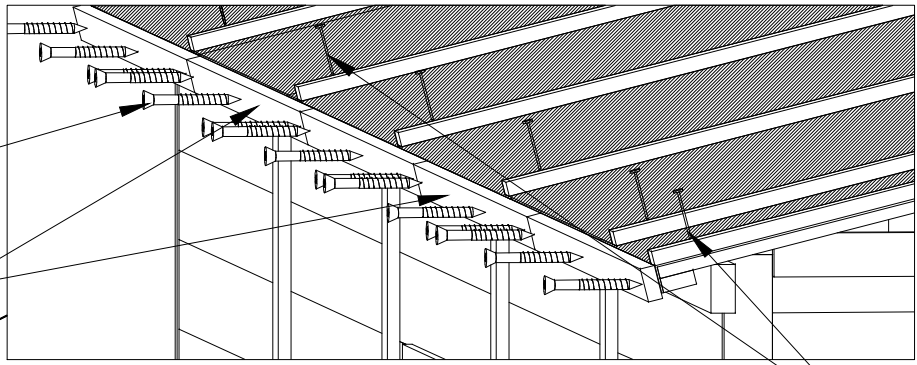


D x54

16



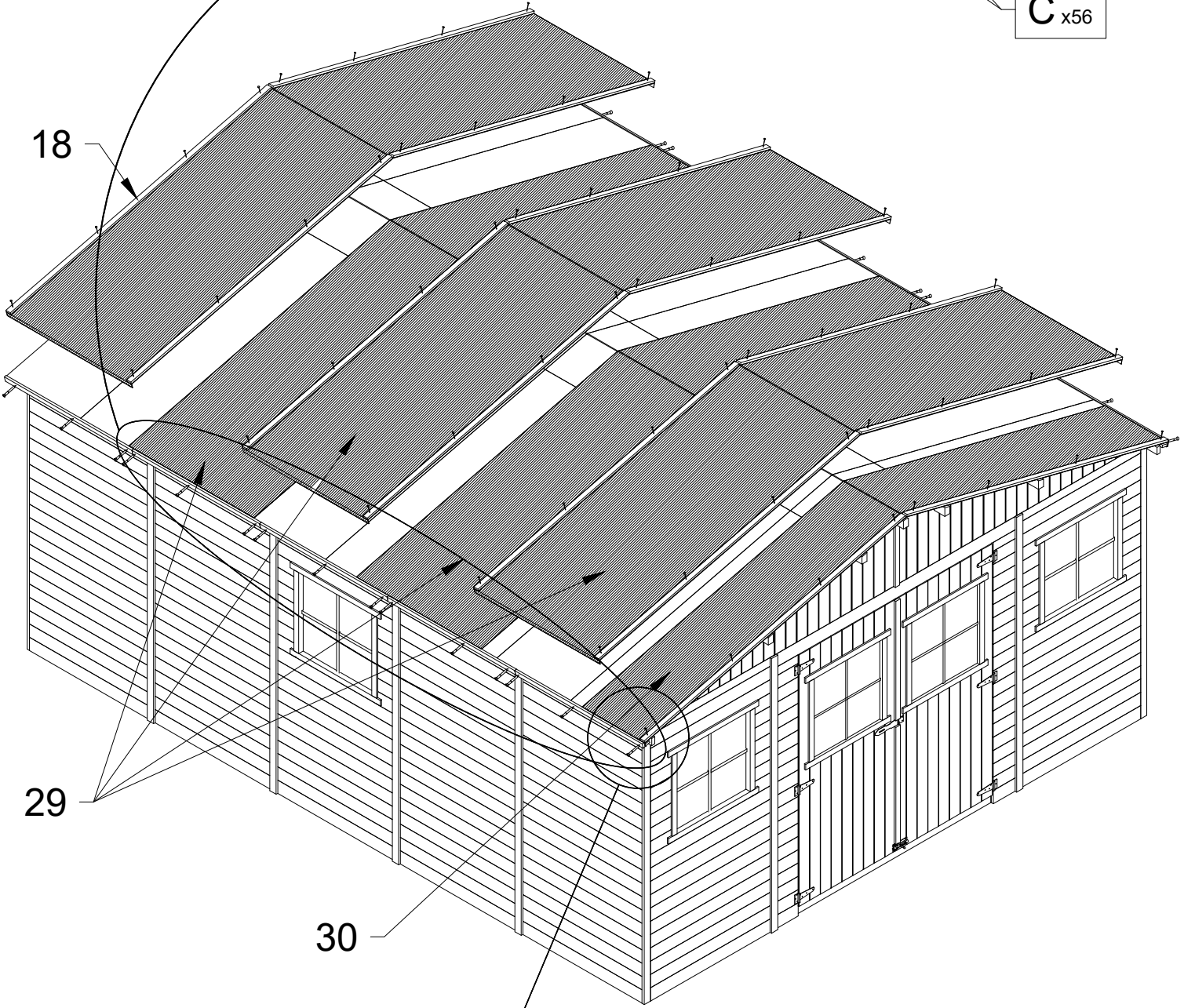
11



B x30

27

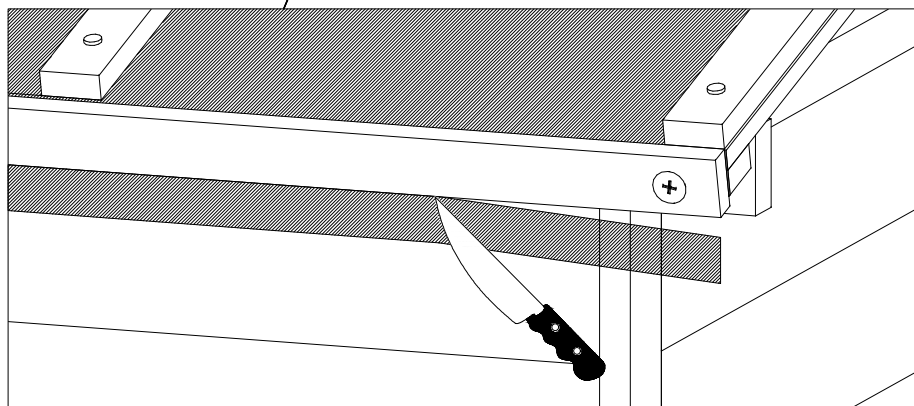
C x56

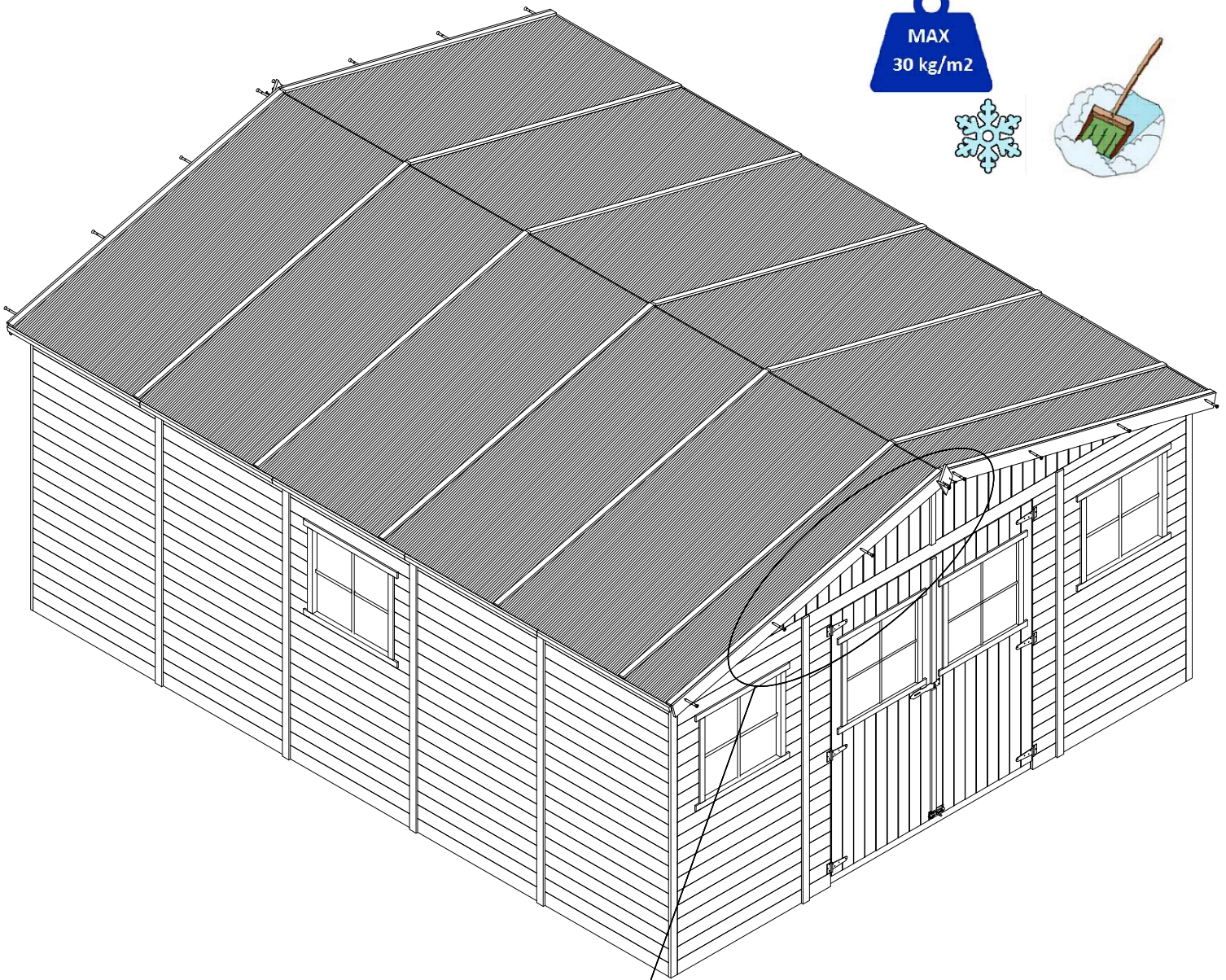


18

29

30





MAX
30 kg/m²



B_{x16}

C_{x4}

